

18-3570 • 40-9122

Cocraft®

LOG SPLITTER 5T

LS5T

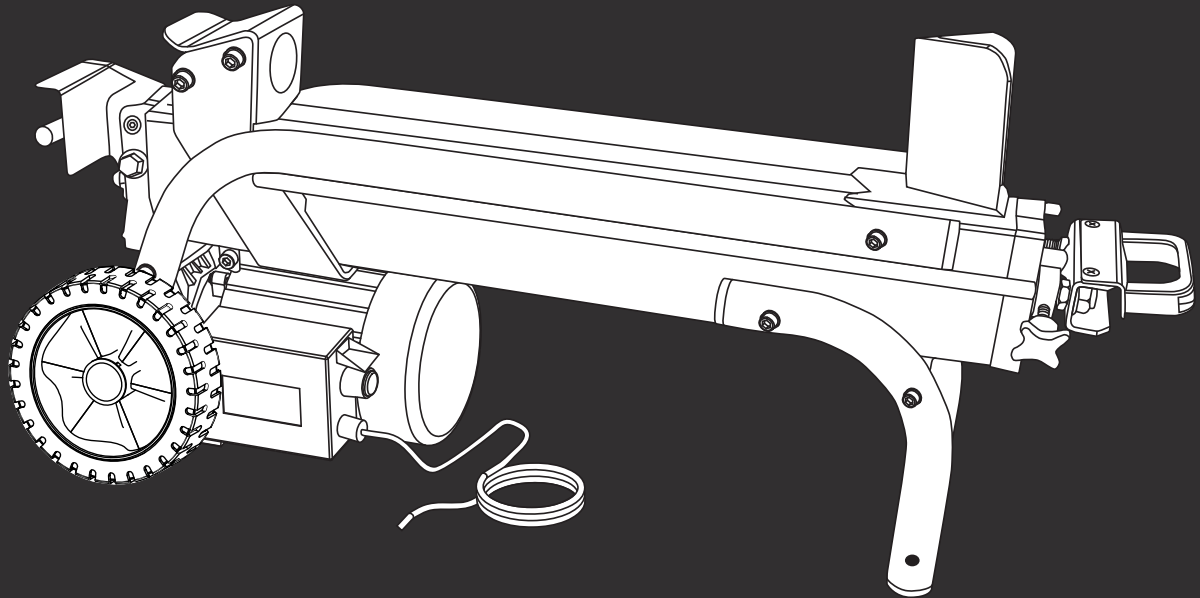
VARIABLE SPLITTING LENGTH: 35-52 CM

VEDKLYV

HYDRAULIHALKOJA

VEDKLØYVER

HOLZSPALTER



Important!

Read the entire instruction manual carefully and make sure that you fully understand it before you use the equipment. Keep the manual for future reference.

Viktig information:

Läs hela bruksanvisningen noggrant och försäkra dig om att du har förstått den innan du använder utrustningen. Spara bruksanvisningen för framtida bruk.

Viktig informasjon:

Les disse anvisningene nøye og forsikre deg om at du forstår dem, før du tar produktet i bruk. Ta vare på anvisningene for seinere bruk.

Tärkeää tietoa:

Lue nämä ohjeet huolellisesti ja varmista että olet ymmärtänyt ne, ennen kuin alat käyttää laitetta. Säilytä ohjeet myöhempää tarvetta varten.

Wichtiger Hinweis:

Vor Inbetriebnahme die komplette Bedienungsanleitung sorgfältig durchlesen und aufbewahren.

Art.no

18-3570

40-9122

Model

LS5T

LS5T

Ver. 20161017

Original instructions
Bruksanvisning i original
Originalbruksanvisning
Alkuperäinen käyttöohje
Original Bedienungsanleitung

ENGLISH

SVENSKA

NORSK

SUOMI

DEUTSCH

Log Splitter LS5T

Art.no 18-3570 Model LS5T
40-9122 LS5T

Please read the entire instruction manual before using the product and then save it for future reference. We reserve the right for any errors in text or images and any necessary changes made to technical data. If you have any questions concerning technical problems please contact our Customer Services.

Safety

Warning: When using this machine, the included safety instructions should always be followed to avoid risk of fire, electric shock, and personal injury. Read the entire instruction manual before using the machine and keep it for future reference. Always pull the plug out of the wall socket before servicing and adjusting the machine.

General safety instructions for your safety and the safety of others

- 1. Keep the working area tidy.**
Cluttered surfaces and benches invite accidents.
- 2. Do not use the machine in dangerous environments.**
The machine should not be used on moist or wet surfaces or in rain. Make sure that the work area is well lit. When working in dusty atmospheres, make sure that the air is adequately circulated. Do not operate electric machinery in explosive atmospheres, such as in the presence of flammable liquids, gases or dust.
- 3. Reduce the risk of electric shocks.**
Avoid body contact with earthed or grounded surfaces such as pipes, radiators, ranges and refrigerators when using electric machinery.
- 4. Keep children and bystanders away.**
Keep children and visitors at a safe distance from electric machinery and electric cables in the workplace.
- 5. Store electric machinery out of the reach of children.**
When not in use, electric machinery/tools should be stored locked away in a safe place, away from children.
- 6. Do not force the machine.**
The correct feed rate makes the work better and safer.
- 7. Use the correct tool for the job.**
Do not force a tool to perform a task that it was not designed for.
- 8. Wear suitable attire.**
Do not wear any loose-fitting clothing, gloves, necklaces, bracelets or other jewellery that can get caught in moving parts. Non-slip footwear is recommended. Wear a hairnet or similar if you have long hair.
- 9. Always use safety glasses.**
Normal glasses are not tough enough to withstand impacts. Use a dust mask or dust filter when working in dusty environments.
- 10. Connect dust extraction equipment.**
If the machine is equipped with dust extraction equipment, ensure that it is connected and used properly. Make sure to empty the dust bag regularly.
- 11. Do not abuse the mains lead.**
Do not carry the machine by its mains lead. Do not yank the mains lead to turn the power off, pull the plug out instead. Make sure that the mains lead does not come into contact with heat, oil, or sharp edges.
- 12. Secure the workpiece firmly.**
Where possible, use clamps or a vice. You can then operate the machine using two hands. This is much safer than holding the workpiece in one hand.
- 13. Do not overreach.**
Make sure that you stand steady and balanced all times.
- 14. Look after your tools.**
Keep blades sharp and clean for the best and safest performance. Follow the manual's recommendations regarding lubrication and replacement of accessories. Inspect the mains lead regularly. If it is damaged it should be replaced by a qualified service technician. Inspect all leads and cables regularly to check for any damage. Make sure that the machine's handles and controls are clean, dry and free from oil, grease etc.

15. Turn the power off.

Pull out the plug and push in the emergency stop button before servicing or changing any blades, drill bits, cutters or sanding discs.

16. Remove all spanners and repair tools.

Make a habit of checking to make sure that the machine is free of all spanners and tools before turning the power on.

17. Avoid accidental starts.

Do not walk around with your finger on the trigger of electric machinery if it is plugged in. Make sure that the ON/OFF switch is set to **OFF** before plugging in any electric machinery.

18. Use the correct extension leads.

If you use extension leads outdoors, only use those designed for outdoor use.

Only use extension leads with adequate wire core area and roll out the whole lead.

19. Use common sense and be careful.

Think carefully before carrying out every action, so that it is carried out safely.

Never operate machines when you are tired, under the influence of medicine, etc.

20. Inspect the tool for damage.

Before starting the machine, make sure that the guards and other parts are undamaged and working properly, that moving parts can rotate freely and are correctly aligned, that no moving parts can get caught and that there is no fault or defect that could affect the performance of the machine. A safety guard or any other part that is damaged should be repaired by a tradesman or replaced. Damaged power leads and switches must always be replaced by a tradesman. Never operate the machine if you cannot stop or start the tool safely.

21. Use only recommended accessories.

The use of non-recommended accessories can cause accidents and personal injury.

22. Should only be repaired by a qualified technician.

This machine conforms to current safety requirements. Repairs to the machine should only be carried out by a tradesman using original spares; otherwise the machine could cause accidents and personal injury.

23. Electric machinery should be connected to the mains via a Residual Current Device. This can help minimise the risk of an electric shock in the event of an earth fault or short circuit.

The machine must not be modified or used for any other purpose than that for which it has been designed.

Regularly check that all screws and nuts are tight.

Additional safety rules for log splitters

- Save the instruction manual, make sure that it accompanies the log splitter if it is borrowed.
- Read the warning labels on the log splitter and make sure that they are legible.
- Make sure that the electrical socket you intend to use has the correct voltage (230 V) before connecting the log splitter.
- Never attempt to adjust the force setting yourself. The log splitter is pre-set at the factory for a maximum splitting force of 5 tonnes. Tampering with the pressure settings can lead to diminished performance and damage to the machine and result in serious person injury.
- Wear safety glasses, ear defenders and safety shoes if necessary.
- Always stand in such a way that you can perform all work tasks whilst maintaining good balance and grip the control lever in one hand whilst pushing the power button with the other hand.
- Keep your hands and fingers well away from the pressure plate and always use common sense and care while operating the machinery.
- Make sure that there are no bystanders or pets close to the machine, sharp splinters can be ejected with great force.
- Switch off the log splitter and disconnect it from the mains supply whenever you take a break and before starting any maintenance procedures. Make sure that the log splitter cannot be started by any children or unauthorised person.
- The log splitter should be connected to the mains via an RCD for extra safety.
- Never use the log splitter in the rain or wet conditions.
- Never use the log splitter if the power switch, plug, mains lead or any other part is damaged. The defective part must be replaced by a qualified repair person.

- Keep the work area clean and tidy, make sure that the cooling of the electric motor is not hindered by debris blocking the air intake.
- **Note:** Loosen the bleed screw (7) 3–4 turns, so that there is a noticeable flow of air when the log splitter is in operation, otherwise the gaskets in the hydraulic system could be damaged and render the log splitter inoperable.
- Make sure that the nuts on the ends of the pull rods are tight before operation, otherwise the log splitter could become damaged.

Product safety symbols



Warning: Risk of crushing. Keep hands well away from any moving parts during the entire splitting operation.



Warning: Risk of crushing. Never remove a jammed log with your hands, always use a tool.



Warning: Risk of crushing. Always pay attention to the motion of the pressure plate.



No-one other than the operator must stand within the danger zone of the log splitter. Keep children, pets and bystanders away!



Switch the machine off and unplug it before all cleaning, maintenance and whenever it is not being used.



Inspect the log splitter for any damage before operating it, pay particular attention to the mains lead, make sure that none of the nuts and bolts are loose and that the hydraulic control lever and its cover work properly.



Read the instruction manual.

Read the entire instruction manual and familiarise yourself with the operation of the log splitter before starting to operate it.



Wear eye protection.

Protect your eyes from wood chips and splinters. Use protective glasses or a visor.



Wear safety gloves.



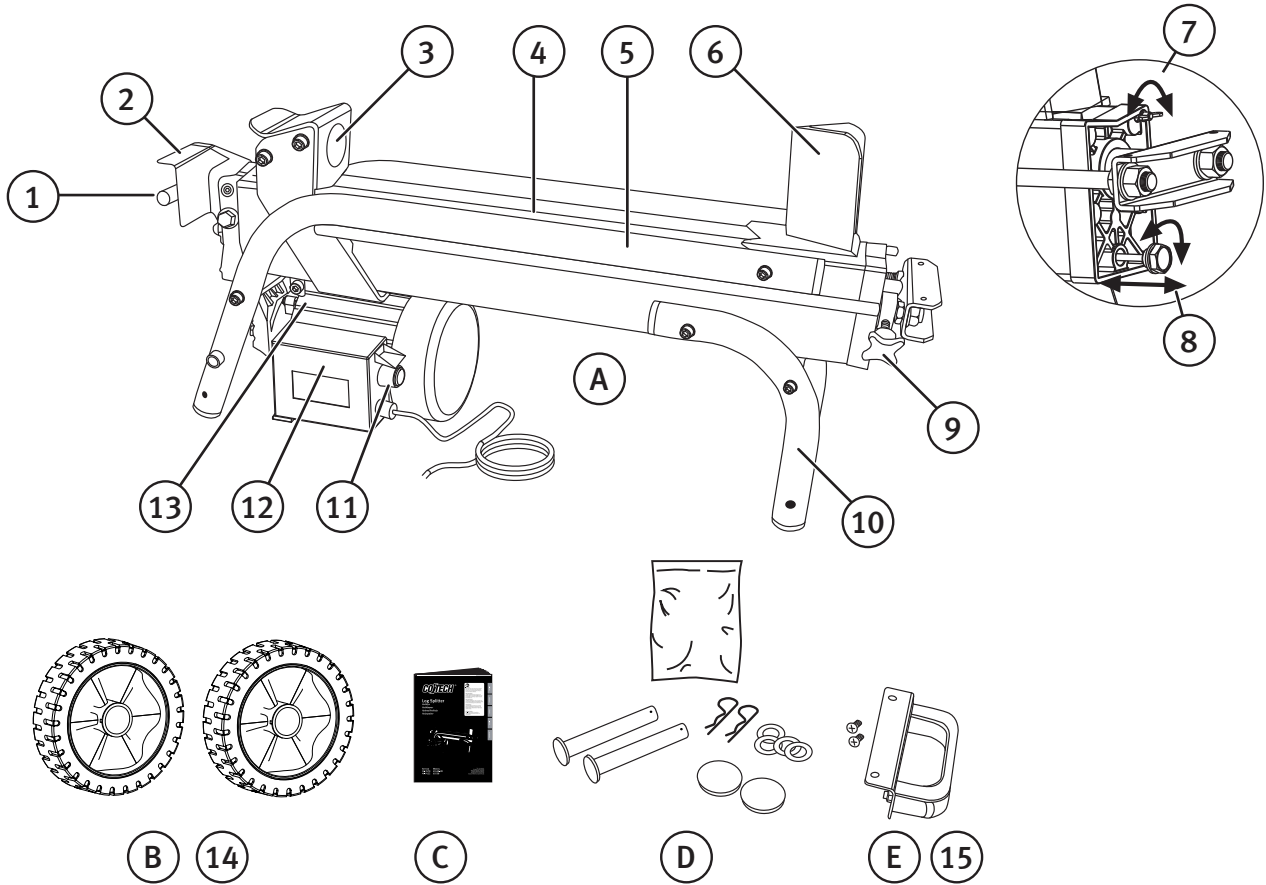
Wear safety footwear.

Footwear with steel toe caps should be used to protect your feet from falling objects.



Consider the environment, dispose of waste oil in accordance with local regulations.

Product description



Parts

1. Control lever
2. Control lever guard
3. Pressure plate
4. Support table
5. Log retaining plate
6. Splitting wedge
7. Bleed screw
8. Oil drain bolt/dipstick
9. Return stop
10. Support leg
11. Power switch
12. Electric box
13. Motor
14. Wheels for short range transport only
15. Handle

Package contents

- A) Log splitter
- B) Wheels
- C) Instruction manual
- D) Bag of assorted fasteners
- E) Handle

Assembly

Attach the wheels using the provided fasteners.

Preparations

1. Place the log splitter on a firm, level surface providing a comfortable working height. Ensure that there is adequate lighting for the work to be carried out safely.
2. Plug the mains lead into an electrical socket, preferably via an RCD. Take care to position the mains lead where it will not hinder the work or be damaged by the work with the log splitter.
3. Unscrew the bleed screw (7) 3 or 4 turns to ensure a detectable flow of air to the oil tank while the log splitter is in operation.

Setting the desired splitting length

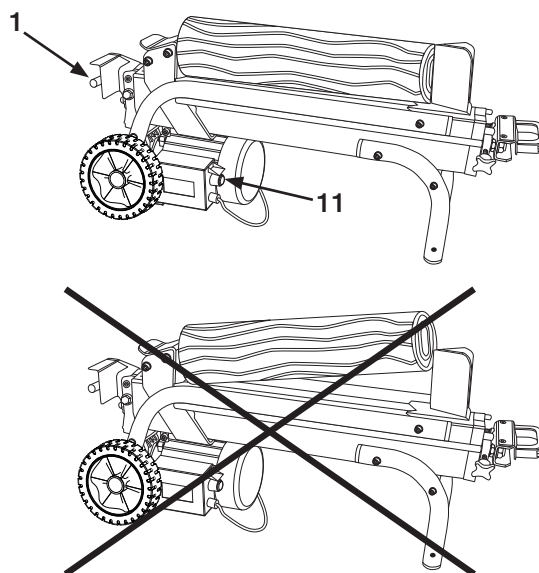
The log splitter returns to the set splitting length automatically. The splitting length can be set by using a return stop which prevents the piston from returning all the way.

1. Run the piston out without a piece of wood, release the power switch (11) but hold the piston in the extended position using the control lever (1).
2. Undo the return stop screw.
3. Move the return stop to the desired splitting length and tighten the screw.

Operating the log splitter

1. Always place the least knotty end of the log toward the wedge, always split along the grain.
2. Position the log in such a way that it is stable, use the log retaining plate to help.
3. Start the motor by pressing and holding in the power switch (11).
4. Start the hydraulic ram by depressing the control lever (1) (with the power switch pressed in).
5. The pressure plate will force the log against the splitting wedge.
6. Release the control lever and the power switch to discontinue the splitting operation once the log has been split.

Note: The pressure plate will automatically stop at about 16 cm / 6 inches before it reaches the wedge.

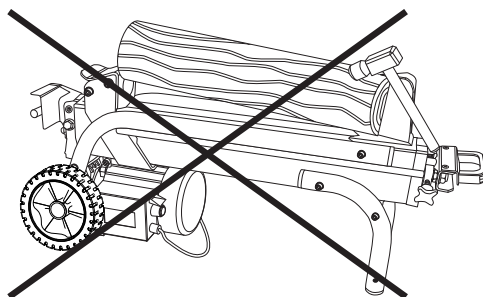
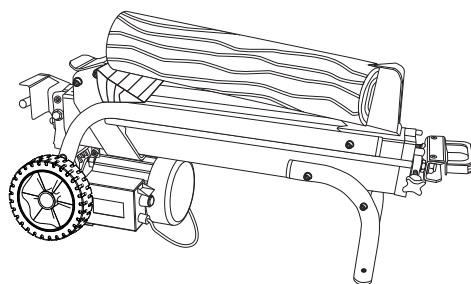


- **Note:** If the wood does not start to split after 5 seconds despite full pressure, release the control lever and the power switch and let the pressure plate return to the starting position. Turn the log through 90 degrees and try to split it again.
- **Note:** Make sure that the bleed screw (7) is closed before the log splitter is moved or put away, otherwise oil could leak out.
- If the bleed screw is left open when the log splitter is stored away, the oil will absorb moisture from the air. This can cause the hydraulic system to rust from the inside.
- **Note:** Do not use just the top half of the wedge for splitting, the log splitter can be damaged by unbalanced loading.

If the log jams

1. Stop the log splitter.
2. Once the pressure plate has returned to its starting position: place a wooden wedge under the end of the log nearest the pressure plate.
3. Start the log splitter and force the wedge under the log using the pressure plate.
4. Repeat the procedure with a larger wedge if necessary.

Note: Never try to dislodge a log which is under pressure, it could split and fly off with great force and damage the log splitter or cause an injury.

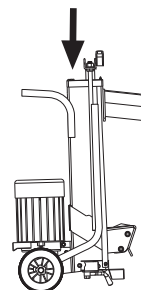
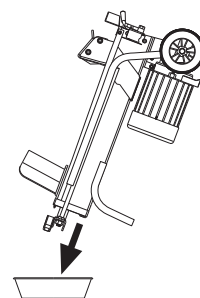


Maintenance

Changing the hydraulic oil

The hydraulic oil should be changed at regular intervals (about every 150 hours) as follows:

1. Make sure that the pressure plate is in its starting position before pulling out the plug.
2. Remove the drain bolt.
3. Tilt the log splitter with the wedge end down over a container capable of holding at least 4 litres of oil and wait until the oil has drained out.
4. Tilt the log splitter the other way, so that the motor end is down and pour in about 3.5 litres of good quality new hydraulic oil.
5. Wipe the dipstick, dip it into the tank with the log splitter in the vertical position, pull it out and read it. The oil level should be between the two grooves on the dipstick.
6. Clean the drain bolt and screw it in back in tight.
7. Recheck the oil level regularly and top up the oil if necessary.



Sharpening the wedge

The splitting wedge should be kept sharp by filing it regularly with a fine-toothed file.

Other maintenance

- Always unplug the machine before carrying out any adjustments or maintenance.
- Ensure that the mains lead, plug and on/off switch are all in good condition and undamaged.
- Clean all the parts of the log splitter with a brush and dry rags.
- Store the machine in a dry, clean, non-corrosive environment and out of children's reach. Make sure that the temperature of the storage area does not fall to below -25° .
- Make sure that all the nuts and bolts are tightened, especially the nuts on the pull rods (by the handle).

Responsible disposal

This symbol indicates that this product should not be disposed of with general household waste. This applies throughout the entire EU. In order to prevent any harm to the environment or health hazards caused by incorrect waste disposal, the product must be handed in for recycling so that the material can be disposed of in a responsible manner. When recycling your product, take it to your local collection facility or contact the place of purchase. They will ensure that the product is disposed of in an environmentally sound manner.



Troubleshooting

Problem	Possible cause	Remedy
Fails to split log.	Log improperly positioned.	Turn the log around or rotate it.
	The log is too big or too hard.	Reduce the size of the log before splitting.
	The wedge is blunt or damaged.	Sharpen the wedge (refer to <i>Maintenance</i>).
	Oil leakage.	Localise the leak, have a qualified mechanic fix the leak.
	Incorrect pressure limiting screw setting.	Have a qualified mechanic adjust the pressure setting.
Pressure plate moves jerkily, makes strange noises and vibrates heavily.	Lack of oil, air in the system.	Check the oil level and refill if necessary. Check for leaks.
Oil leak around piston or other component.	Air trapped in system during operation.	Loosen the bleed screw 3–4 turns before starting work.
	The bleed screw has not been tightened before the log splitter was moved.	Tighten the bleed screw before moving the log splitter.
	The oil drain bolt is not properly tight.	Tighten the oil drain bolt.
	The hydraulic valve and/or gasket is worn.	Contact the retailer.

Specifications

Motor voltage	230 V AC, 50 Hz
Power	2200 W, S3 25%
IP rating	IP54
Log capacity*	Ø 5–25 cm, length: 25–52 cm
Rec operating temp	+5 to +40 °C
Splitting force	5 tonnes
Oil pressure	20 Mpa
Oil capacity	3.5 litres
Dimensions	Length: 1000 mm Width: 360 mm Height: 450 mm
Weight	45 kg
Adjustable return stop	160–520 mm

* The stated splitting capacity is indicative and depends on the hardness, diameter and knottiness of the wood. It is usually possible to split far larger diameter logs.

Vedklyv LS5T

Art.nr 18-3570 Modell LS5T
40-9122 LS5T

Läs igenom hela bruksanvisningen före användning och spara den sedan för framtida bruk.
Vi reserverar oss för ev. text- och bildfel samt ändringar av tekniska data.
Vid tekniska problem eller andra frågor, kontakta vår kundtjänst.

Säkerhet

Varning! När du använder maskinen ska alltid följande generella säkerhetsregler följas, för att undvika brandfara, elektrisk stöt och personskada. Läs hela bruksanvisningen innan du använder maskinen och spara den för framtida bruk. Dra alltid ut nätsladdens stickpropp ur eluttaget före service och justering av maskinen!

Generella säkerhetsregler för din och andras säkerhet

- Håll arbetsutrymmet rent.**
Belamrade ytor och bord inbjuder till olyckor.
- Använd inte maskinen i riskfylld miljö.**
Elektriska maskiner ska inte användas på fuktiga våta ytor eller vid regn. Se till att belysningen är god i arbetsutrymmet. Sörj för god luftväxling vid dammande arbeten. Använd aldrig elektriska maskiner där de kan förorsaka brand eller explosion!
- Undvik elektrisk stöt.**
Undvik kroppskontakt med jordade föremål som vattenledning, element, köksspis etc. samtidigt som du använder elektriska maskiner.
- Håll undan barn och besökare.**
Alla barn och besökare bör befinna sig på säkerhetsavstånd från elektriska maskiner och elkablar i arbetsutrymmet.
- Förvara maskinerna barnsäkert.**
Förvara elektriska maskiner/verktyg inlåsta eller utom räckhåll för barn när de inte används!
- Pressa inte maskinen.**
Den gör jobbet bättre och säkrare med avsedd matningshastighet.
- Använd rätt verktyg.**
Pressa inte ett verktyg eller en tillsats att göra ett arbetsmoment som den inte är gjord för.
- Bär lämplig klädsel.**
Inga löst sittande kläder, vantar, halsband, ringar, armband eller andra smycken som kan fastna i roterande delar. Halksäkra skor rekommenderas. Bär hårnät (motsv.) om du har långt hår.
- Bär alltid skyddsglasögon!**
Bär alltid skyddsglasögon, vanliga glasögon räcker inte! Använd också dammfilter eller skyddsmask vid dammande arbeten.
- Använd utsug.**
Använd utsugningsutrustning för att ta bort och samla damm och spån, om maskinen är avsedd för det. Se till att utrustningen används på rätt sätt och töms vid behov.
- Misshandla inte nätsladden.**
Bär aldrig maskinen i nätsladden. Ryck inte i sladden, utan dra i stickproppen när du bryter strömmen. Se till att nätsladden inte kommer i kontakt med värme, olja eller vassa kanter.
- Sätt fast ämnet ordentligt.**
Använd tvingar eller skruvstycke där det går, då kan du hantera maskinen med två händer. Det är säkrare än att hålla fast ämnet med ena handen.
- Sträck dig inte för långt.**
Se till att du hela tiden står säkert med god balans.
- Håll verktygen i trim.**
Se till att de är rena och eggarna vassa för optimal effekt och ett säkert resultat. Följ manualens rekommendationer för smörjning och byte av tillbehör. Kontrollera nätsladden regelbundet, om den är skadad ska den bytas av en kvalificerad servicetekniker. Syna alla skarvsladdar regelbundet så att de inte är skadade. Se till att maskinens handtag och reglage är torra, rena och helt fria från olja, fett etc.

15. Slå av strömmen.

Dra ur stickproppen och tryck in nödstopp, före service och vid byte av tillbehör som hyvelstål, borrar, skär, slibband eller blad.

16. Ta bort alla nycklar och serviceverktyg.

Gör det till en vana att kontrollera att alla nycklar och serviceverktyg är borttagna från maskinen innan du slår på strömmen.

17. Undvik oavsiktlig start.

Bär inte en elektrisk maskin med ett finger på strömbrytaren/avtryckaren om sladden sitter i ett uttag.

Se till att strömbrytaren står på **OFF** när du sätter i stickproppen.

18. Använd rätt skarvsladdar.

Om du använder skarvsladdar utomhus, använd endast dem som är avsedda för utomhusbruk.

Använd skarvsladdar med tillräcklig ledararea, rulla ut hela sladden!

19. Använd sunt förnuft och var försiktig.

Tänk efter innan du utför ett arbetsmoment, så att du kan utföra det på ett säkert sätt! Använd inte maskinen när du är trött, påverkad av mediciner etc.

20. Kontrollera att alla delar är oskadade.

Kontrollera innan du startar maskinen: att alla skydd och övriga delar är oskadade och fyller sin funktion, att rörliga delar kan rotera fritt och är rätt inriktade, att inga rörliga delar kan fastna, att ingen defekt uppstått och andra omständigheter som kan påverka arbetets utförande. Ett skydd eller någon annan del som skadats ska repareras fackmässigt eller bytas ut. Skadade nätsladdar och strömbrytare ska alltid bytas ut av fackman. Använd aldrig maskinen om du inte kan stänga av eller starta den på ett betryggande sätt.

21. Använd rekommenderade tillbehör.

Användning av ej rekommenderade tillbehör kan vålla olyckor eller risk för personskada.

22. Reparerar endast av kvalificerad tekniker.

Maskinen överensstämmer med gällande säkerhetskrav. Reparationer av maskinen ska alltid utföras av fackman, med originalreservdelar, annars kan maskinen vålla olyckor eller risk för personskada.

23. Elektriska maskiner bör anslutas till elnätet via en jordfelsbrytare för personskydd.

Maskinen får inte ändras eller användas till arbetsmoment som den inte är avsedd för!

Kontrollera regelbundet att alla skruvar och muttrar är ordentligt åtdragna!

Särskilda säkerhetsföreskrifter för vedklyv

- Spara bruksanvisningen, se till att den medföljer vedklyven vid ev. utlåning.
- Läs vedklyvens varningsdekaler och se till att de är läsbara.
- Kontrollera att eluttaget har rätt spänning innan vedklyven ansluts (230 V).
- Försök aldrig att själv ändra tryckinställningen. Den är inställd på fabriken för att ge max tryckkraft på 5 ton. Felaktig inställning kan leda till försämrad funktion eller till att allvarliga person- och maskinskador uppstår.
- Använd skyddsglasögon, hörselskydd och skyddsskor vid behov.
- Stå alltid så att du kan utföra alla arbetsmoment med god balans och håll strömbrytare och tryckspak med båda händerna.
- Håll händer och fingrar på säkert avstånd från tryckplatta och klyvkil, använd som vanligt vid arbete med alla maskiner ditt sunda förnuft och var försiktig när du jobbar.
- Se till att inte människor och djur uppehåller sig i närheten av vedklyven, vassa träffisor kan flyga omkring med stor kraft.
- Dra alltid ut nätsladdens stickpropp ur eluttaget vid service och uppehåll i arbetet och se till att inga barn kan starta vedklyven.
- Anslut vedklyven till ett eluttag via en jordfelsbrytare, för säkerhets skull!
- Använd aldrig vedklyven i regn eller extremt fuktig väderlek.
- Använd aldrig vedklyven om elkabel, strömbrytare eller någon annan del är skadad. Defekt del ska bytas av fackman.
- Håll rent på arbetsplatsen, se till att elmotorns kylning inte förhindras genom att skräp täcker kylflänsarna eller kylflänsintaget.
- **Obs!** Skruva ut luftskruven (7) 3–4 varv, så att en märkbar luftström uppstår under drift, annars kan tätningarna i hydraulsystemet skadas och göra vedklyven obrukbar.
- Kontrollera före användning att muttrarna till dragstängerna sitter fast, annars kan vedklyven skadas.

Produktmärkning med säkerhetssymboler på vedklyven



Varning! Klämrisk, var uppmärksam, håll undan händerna från rörliga delar under hela klyvmomentet.



Varning! Klämrisk när du tar bort ett vedstycke som har fastnat, ta inte bort det med händerna, använd något verktyg.



Varning! Klämrisk, var alltid uppmärksam på hur tryckplattan rör sig.



Det är förbjudet för andra än maskinoperatören att vistas i vedklyvens riskområde. Håll undan barn, husdjur och besökare från vedklyvens riskområde!



Stäng av vedklyven och dra ut nätsladdens stickpropp ur eluttaget när vedklyven inte används och före rengöring och service.



Kontrollera att vedklyven är oskadad före användning, kontrollera särskilt att elkabeln är oskadad, om det finns lösa skruvar/muttrar och om manöverreglagen och skydden fungerar bra.



Läs bruksanvisningen!
Läs hela bruksanvisningen och försök förstå vedklyvens arbetssätt.



Använd skyddsglasögon!
Skydda ögonen mot flygande flisor. Använd skyddsglasögon eller visir.



Använd handskar!

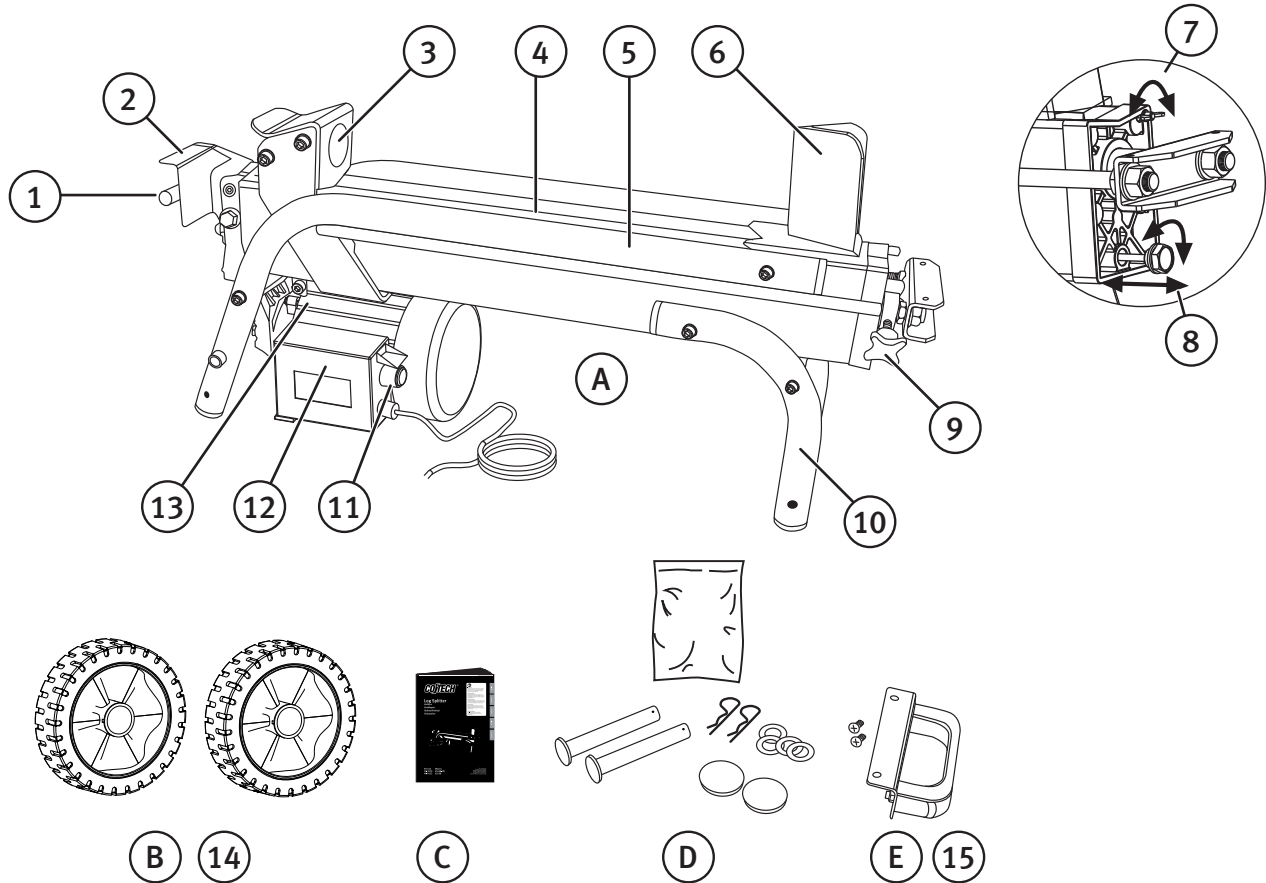


Använd skyddsskor!
Använd skor med tåhätta som skyddar mot nedfallande föremål.



Tänk på miljön, hantera spillolja enligt lokala miljöregler.

Produktbeskrivning



Komponenter

1. Manöverspak
2. Skydd för manöverspak
3. Tryckplatta
4. Klyvbord
5. Sidostöd
6. Klyvkniv
7. Luftningsskruv
8. Oljeplugg med oljesticka
9. Returstopp
10. Stödben
11. Strömbrytare
12. Elbox
13. Motor
14. Hjul för kortare förflyttning
15. Handtag

Förpackningen innehåller

- A) Vedklyv
- B) Hjul
- C) Bruksanvisning
- D) Påse med monteringsdetaljer
- E) Handtag

Montering

Montera hjulen med de medföljande monteringsdetaljerna.

Förberedelser

1. Placera vedklyven på en plan och stabil arbetsyta med lagom arbetshöjd.
2. Anslut elkabeln till ett eluttag via en jordfelsbrytare, tänk på att dra kabeln så att den inte kan skadas vid arbete med vedklyven.
3. Skruva ut luftskruven (7) 3–4 varv, så att en märkbar luftström uppstår under drift.

Inställning av önskad klyvlängd

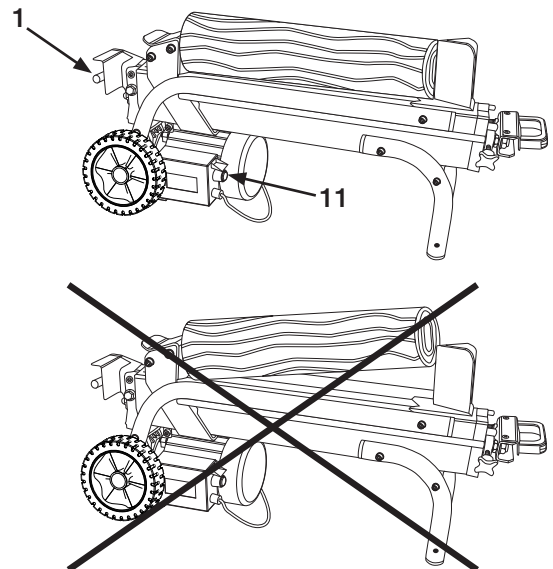
Vedklyven har automatisk återgång till inställd klyvlängd. Klyvlängden kan ställas in med hjälp av en returstopp som hindrar kolven att återgå hela vägen.

1. Kör ut kolven utan trästycke, släpp strömbrytaren (11) men håll kvar kolven i dess yttre läge med manöverspaken (1).
2. Lossa skruven på returstoppen.
3. Flytta returstoppen till önskad slaglängd och dra åt skruven.

Börja arbeta med vedklyven

1. Lägg alltid den minst kvistiga sidan av trästycket mot klyvkniven, klyv alltid i fiberriktningen.
2. Placera trästycket så att det ligger stabilt, använd arbetsbordets sidostöd som hjälp.
3. Starta motorn genom att trycka in och hålla kvar strömbrytaren (11).
4. Starta hydrauliken: tryck ner manöverspaken (1) (med intryckt strömbrytare).
5. Tryckplattan pressar trästycket mot klyvkniven.
6. Släpp manöverspaken och strömbrytaren för att avsluta klyvningen när trästycket har delats.

Obs! Tryckplattan stannar automatiskt ca 16 cm från klyvkniven.

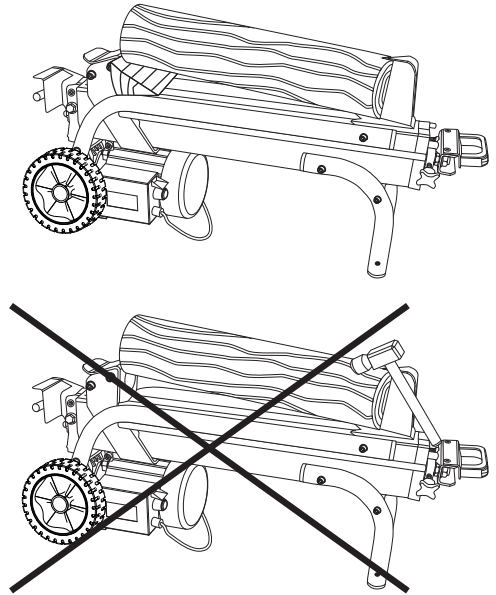


- **Obs!** Om trästycket inte börjar klyvas inom 5 sekunder trots fullt tryck: släpp tryckspak och strömbrytare och låt tryckplattan gå tillbaka, vrid trästycket 90° eller vänd det och prova igen.
- **Obs!** Stäng luftskruven (7) vid transport och lagring av vedklyven, annars kan oljan läcka ut.
- Vid längre förvaring med öppen luftskruv absorberar oljan den fukt som finns i luften. Det kan leda till att hydraulsystemet rostar invändigt.
- **Obs!** Klyv inte med bara den övre delen av klyvkniven, vedklyven kan skadas vid snedbelastning.

Om trästycket fastnar

1. Avsluta klyvningen.
2. När tryckplattan har återgått till utgångsläget: lägg en träkil under det fastlåsta trästycket.
3. Starta vedklyven och tryck in kilen med hjälp av tryckplattan.
4. Upprepa med en större kil vid behov.

Obs! Försök aldrig att hugga loss ett trästycke som sitter i spänn, det kan splittras med hög kraft vilket kan leda till personskador eller skada på vedklyven.

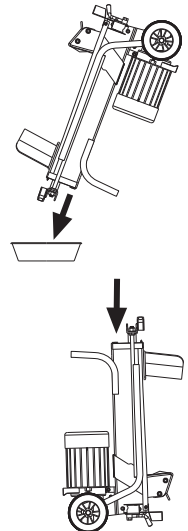


Underhåll

Byte av hydraulolja

Med jämna intervaller (ca 150 driftstimmar) ska hydrauloljan bytas enligt följande:

1. Se till att tryckplattan är i sitt utgångsläge och dra ur stickproppen.
2. Skruva ur oljepluggen.
3. Vänd vedklyven med klyvkniven neråt över ett uppsamlingskärl som rymmer minst 4 liter och vänta tills all olja har runnit ut.
4. Vänd vedklyven så att motorsidan kommer neråt och håll i ny hydraulolja av god kvalitet (ca 3,5 l).
5. Torka oljestickan, stoppa den i tanken med vedklyven i vertikalt läge, dra upp den och läs av. Oljenivån ska ligga mellan de två märkningarna på oljestickan.
6. Gör ren oljepluggen och skruva fast den ordentligt så att oljan inte läcker ut.
7. Kontrollera oljenivån regelbundet och fyll på vid behov.



Håll klyvkniven vass

Håll klyvkniven skarp genom att regelbundet fila bort eventuella grader med en fintandad metallfil.

Övrigt underhåll

- Dra alltid ur nätsladdens stickpropp innan service eller justering påbörjas.
- Kontrollera att elkabel, kontakter och strömbrytare är i god kondition och utan skador.
- Rengör vedklyvens alla delar med borste och torra trasor.
- Förvara maskinen i en torr, ren och ickekorrosiv miljö, utom räckhåll för barn, se till att lagringstemperaturen inte sjunker under -25° .
- Kontrollera att alla skruvar och muttrar sitter fast, särskilt muttrarna till dragstängerna (vid handtaget).

Avfallshantering

Denna symbol innebär att produkten inte får kastas tillsammans med annat hushållsavfall. Detta gäller inom hela EU. För att förebygga eventuell skada på miljö och hälsa, orsakad av felaktig avfallshantering, ska produkten lämnas till återvinning så att materialet kan tas omhand på ett ansvarsfullt sätt. När du lämnar produkten till återvinning, använd dig av de returhanteringssystem som finns där du befinner dig eller kontakta inköpsstället. De kan se till att produkten tas om hand på ett för miljön tillfredställande sätt.



Felsökning

Problem	Möjlig orsak	Lämplig åtgärd
Klyvningen misslyckas.	Trästycket är felplacerat.	Vänd eller rotera trästycket.
	Trästyckets hårdhet eller diameter är för stor.	Försök att minska diameter eller längd före klyvning.
	Klyvkniven är slö eller skadad.	Vässa klyvkniven (se <i>Underhåll</i>).
	Oljeläckage.	Lokalisera läckage, låt kvalificerad tekniker åtgärda felet, fyll på olja.
	Felaktig justering av tryckregulator.	Låt kvalificerad tekniker med tillgång till testutrustning åtgärda felet.
Tryckplattan rör sig ryckigt med missljud och kraftiga vibrationer.	För låg oljenivå, luft har kommit in i systemet.	Kontrollera nivån och fyll vid behov, åtgärda ev. läckage.
Oljeläckage vid kolv eller annan komponent.	Luftfickor i hydraulsystemet under drift.	Lossa luftningssskruven 3–4 varv innan arbetet påbörjas.
	Luftskruven har inte dragits åt före transport eller förflyttning.	Dra åt luftningssskruven före flyttning eller transport.
	Oljepluggen är inte ordentligt åtdragen.	Dra åt oljepluggen.
	Hydraulventilen och/eller packningarna är slitna.	Kontakta återförsäljare.

Specifikationer

Motor	230 V AC, 50 Hz
Effekt	2200 W, S3 25%
Kapslingsklass	IP54
Klyvkapacitet*	Ø 5–25 cm, längd 25–52 cm
Rek. driftstemperatur	+5 till +40 °C
Klyvkraft	5 ton
Hydrauliskt tryck	20 Mpa
Hydrauloljemängd	3,5 liter
Dimensioner	Längd 1000 mm
	Bredd 360 mm
	Höjd 450 mm
Vikt	45 kg
Justerbart returstopp	160–520 mm

*Angivna värden är riktvärden, kapaciteten beror på trästyckets hårdhet, diameter och kvistighet. Oftast kan betydligt större diameter klyvas.

Vedkløyver LS5T

Art.nr. 18-3570
40-9122

Modell LS5T
LS5T

Les brukerveiledningen grundig før produktet tas i bruk og ta vare på den for framtidig bruk. Vi reserverer oss mot ev. feil i tekst og bilde, samt forandringer av tekniske data. Ved tekniske problemer eller spørsmål, ta kontakt med vårt kundesenter.

Sikkerhet

Advarsel! Når du bruker elektriske verktøy og maskiner skal alltid følgende generelle sikkerhetsregler følges. Dette for å unngå brann, elektrisk støt og personskader. Les hele brukerveiledningen grundig og ta vare på den til senere bruk. Trekk alltid ut støpselet fra strømuttaket, før service og justering av maskinen.

Generelle tiltak for å ivareta egen og andres sikkerhet

- 1. Hold arbeidsplassen ren.**
Uorden på gulv, arbeidsbord etc. kan føre til ulykker.
- 2. Bruk ikke maskinen i risikofylte miljøer.**
Elektriske maskiner skal ikke brukes på fuktige, våte flater eller utendørs når det regner. Sørg for godt arbeidsllys. Arbeidsoperasjoner som fører til mye støv krever god ventilasjon. Bruk aldri elektriske maskiner/verktøy der de kan forårsake brann eller eksplosjon.
- 3. Unngå elektrisk støt.**
Unngå berøring av jordede gjenstander som vannledninger, varmeovner, komfyrer etc. samtidig som du bruker elektriske maskiner/-verktøy.
- 4. Hold barn og andre tilskuere på avstand.**
Alle barn og andre tilskuere bør holdes på sikker avstand fra elektriske maskiner/verktøy og strømkabler på arbeidsområdet.
- 5. Oppbevar maskinene utilgjengelig for barn.**
Oppbevar elektriske maskiner/verktøy innlåste eller utenfor barns rekkevidde når de ikke er i bruk!
- 6. Maskinen må ikke presses.**
Den gjør jobben bedre og sikrere med riktig matningshastighet.
- 7. Bruk riktig verktøy.**
Press ikke et verktøy eller et tilbehør til å gjøre en jobb den ikke er beregnet til.
- 8. Bruk fornuftige klær.**
Bruk fornuftige klær, og ingen løstsittende ting, som smykker etc. som kan feste seg i roterende deler. Sklisikre sko anbefales. Bruk hårnett eller tilsvarende, hvis du har litt lengde på håret.
- 9. Bruk alltid vernebriller.**
Bruk alltid vernebriller, vanlige briller beskytter ikke godt nok. Bruk også støvmaske eller vernemaske ved støvende arbeider.
- 10. Bruk avsug.**
Bruk utsugningsutstyr for å fjerne støv og spon dersom maskinen er beregnet for det. Påse at utstyret brukes riktig og at det tømmes etter behov.
- 11. Påse at ikke strømledningen skades.**
Bær aldri maskinen i strømledningen. Trekk i selve støpselet og ikke i ledningen når maskinen/verktøyet skal kobles fra strømmettet. Påse at strømledningen ikke kommer i kontakt med varme, olje, skarpe kanter eller annet som kan skade den.
- 12. Fest emnet ordentlig.**
Bruk tvinger eller skrustikke der det er mulig. Da er begge hendene er frie til å betjene maskinen. Det er sikrere enn å holde fast emnet med den ene hånden.
- 13. Strekk deg ikke for langt.**
Påse at du hele tiden har god balanse i kroppen og står stødig.

14. Vedlikehold verktøyet.

Påse at det er rent og eggen skarp, for optimal effekt og godt resultat. Følg manualens anbefalinger for smøring, skifte av tilbehør etc. Kontroller strømledningen regelmessig. Hvis den er skadet skal den byttes av en kvalifisert elektriker. Sjekk alle skjøteledninger regelmessig så de ikke er skadet. Påse at maskinens/verktøyets håndtak og brytere er tørre, rene og helt fri for olje, fett etc.

15. Skru av strømmen.

Dra ut støpslet og trykk inn nødstoppp før service, og ved bytte av tilbehør som høvelstål, bor, skjær, slipebånd eller blad.

16. Fjern alle nøkler og serviceverktøy.

Gjør det til en vane å kontrollere at alle nøkler og serviceverktøy er fjernet fra maskinen før strømmen kobles til.

17. Unngå uønsket oppstart.

Bær ikke elektriske maskinen med en finger på strømbryteren hvis ledningen er plagget til et strømuttak. Påse at strømbryteren står på **OFF** når støpslet plugges til strømmettet.

18. Bruk riktige skjøteledninger.

Dersom man benytter skjøteledning utendørs, skal den være godkjent for utendørs bruk.

Bruk skjøteledninger med tilstrekkelig stor dimensjon og sørg for at hele ledningen er kveilet ut.

19. Bruk sunn fornuft, og vær forsiktig.

Tenk før arbeidsoperasjon utføres, slik at den utføres sikrest mulig. Bruk ikke maskinen/verktøyet når du er sliten, trøtt, påvirket av medisiner etc.

20. Kontroller at alle deler er uskaddet.

Kontroller maskinen før den startes: at alt sikkerhetsutstyr og øvrige deler er uskadd og fyller sin funksjon, at bevegelige deler kan rotere fritt og er riktig justert, at ingen bevegelige deler kan hekte seg fast, at ingen defekt har oppstått og andre omstendigheter som kan påvirke arbeidets utførelse. Beskyttelsesmekanismer og liknende som er skadet må repareres fagmessig eller skiftes ut. Strømledninger og strømbrytere som er skadet skal alltid skiftes ut av kyndig fagperson. Bruk aldri maskinen hvis du ikke kan stoppe eller starte det på en betryggende måte.

21. Bruk anbefalt tilbehør.

Bruk av tilbehør som ikke er anbefalt av produsent kan føre til ulykker eller personskader.

22. Reparerer kun av kvalifisert tekniker.

Maskinen følger gjeldende sikkerhetskrav. Reparasjoner av maskinen skal alltid utføres av fagmann, med originale reservedeler, ellers kan den forårsake ulykker eller risiko for personskade.

23. Elektriske maskiner bør kobles til strømmettet via en jordfeilbryter.

Produktet må ikke endres på eller brukes til arbeidsoppgaver det ikke er beregnet for!

Kontroller regelmessig at alle skruer og muttere er ordentlig skrudd til.

Spesielle sikkerhetsregler for vedkløyver

- Ta vare på bruksanvisningen og se til at den følger maskinen når maskinen lånes bort etc.
- Les maskinens advarsler og pass på at de hele tiden er lesbare.
- Kontroller at strømuttaket har riktig spenning før vedkløyven kobles til (230 V).
- Trykkinstillingen må ikke endres av ufaglærte. Den er innstilt fra fabrikken for å gi maks. trykkraft, som er 5 tonn. Gale innstillinger kan føre til dårlig funksjon eller alvorlige person- og/eller maskinskader.
- Bruk vernebriller, hørselsvern og vernesko ved behov.
- Stå alltid slik at du kan utføre alle arbeidsoperasjoner med god balanse i kroppen og at du kan holde strømbryter og trykkspake med begge hendene.
- Hold hender og fingre på sikker avstand fra klingene og bruk, som vanlig ved slike arbeider, sund fornuft og vær forsiktig når du jobber.
- Pass på at ingen uvedkommende mennesker eller dyr oppholder seg i nærheten av maskinen. Spisse treflisser kan fyke omkring i stor fart og forvolde store skader.
- Trekk alltid ut støpselet ved service og opphold i jobbingen, og påse at ingen barn kan starte kløyven.
- Maskinen skal kobles til strømuttak via en jordfeilsbryter.
- Bruk ikke vedkløyveren i regn eller ekstremt fuktig vær.
- Bruk ikke maskinen dersom støpselet, strømledningen eller andre deler er skadet. Defekte deler må skiftes av fagpersoner.

- Hold arbeidsplassen ren og ryddig, og påse at ikke motorens kjølesystem forhindres ved at skrap dekker til flenser og kjøleluftinntak.
- **Obs!** Skru ut luftskruen (7) 3–4 omdreininger slik at man kan kjenne en merkbar luftstrøm under drift. Hvis ikke kan pakningene i hydraulikksystemet ta skade og ødelegge vedkløyveren.
- Før bruk må det kontrolleres at mutrene til trekkstengene sitter fast.

Produktmerking med sikkerhetssymboler på maskinen



Advarsel! Fare for klemskader. Vær forsiktig og hold fingre unna bevegelige deler under hele arbeidsmomentet.



Advarsel! Fare for klemskader når vedkubber som har satt seg fast fjernes. Fjern dem ikke med hendene, men bruk et verktøy.



Advarsel! Fare for klemskader. Vær alltid oppmerksom på hvordan trykkplaten beveger seg.



Det bør ikke være lov for andre enn maskinoperatøren å oppholde seg i vedkløyverens fareområde. Hold barn, husdyr og andre på god avstand!



Skru av vedkløyveren og trekk ut støpselet fra strømuttaket når maskinen ikke er i bruk. Dette gjelder også når det skal foretas service eller rengjøring av maskinen.



Kontroller at vedkløyvere ikke er skadet før du starter den. Kontroller spesielt at strømledningen er uskadet, at skruer og mutre er godt festet og at manøvreringsbryteren og beskyttelsesanordninger virker som de skal.



Les bruksanvisningen!
Les hele bruksanvisningen og prøv å forstå hvordan maskinen jobber!



Bruk vernebriller!
Øynene må beskyttes mot flyvende tre-emner. Bruk vernebriller eller visir.



Bruk arbeidshansker!

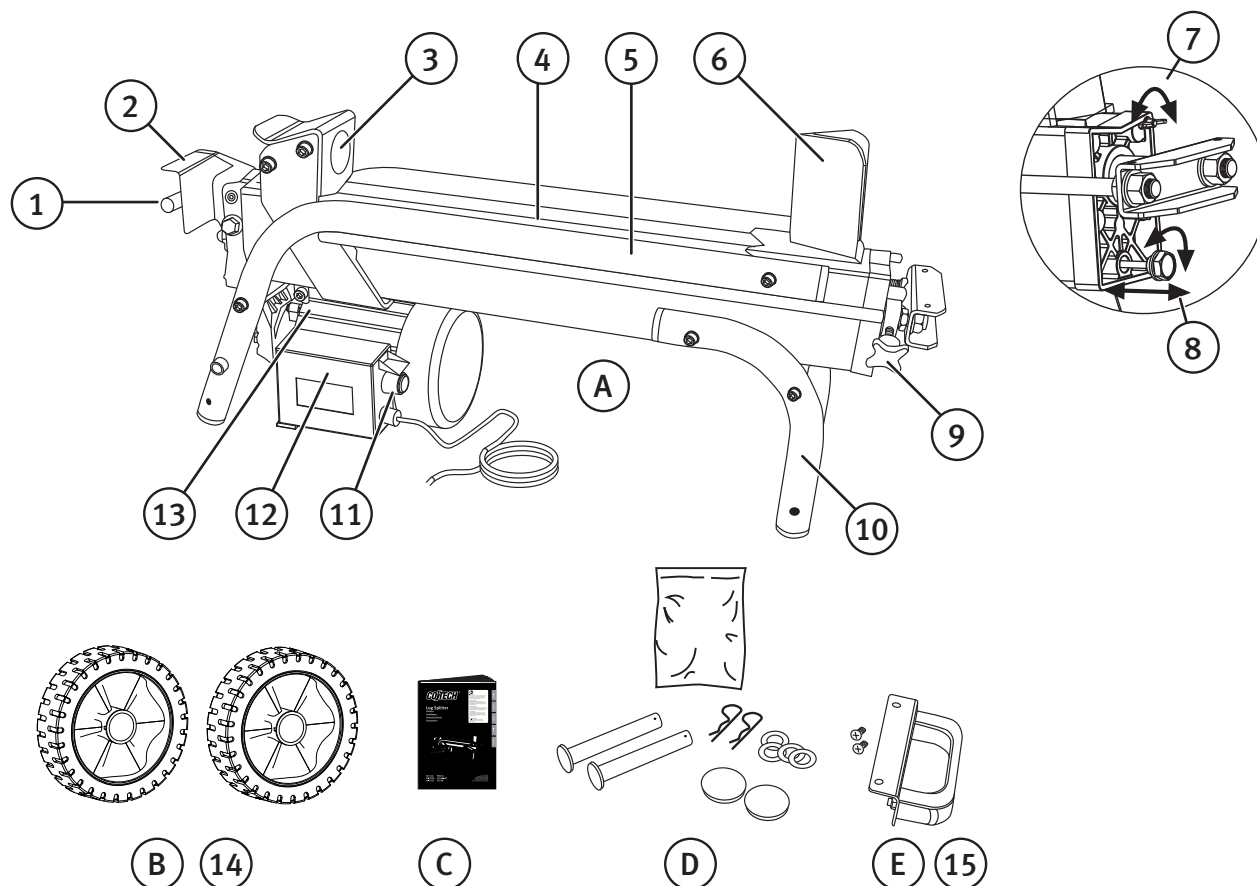


Bruk vernesko!
Bruk sko med tåkappe som beskytter tærne hvis noe skulle falle ned på dem.



Tenk på miljøet, og følg lokale forskrifter når du behandler spillolje etc.

Produktbeskrivelse



Komponenter

1. Manøvreringsspake
2. Beskyttelse for manøvreringsspake
3. Trykkplate
4. Kløyvebord
5. Sidestøtte
6. Kløyvekniv
7. Luftskrue
8. Oljeplugg med oljepeiler
9. Returstopp
10. Støttebein
11. Strømbryter
12. Elboks
13. Motor
14. Hjul til kortere forflytninger
15. Håndtak

Forpakningen inneholder

- A) Vedkløyver
- B) Hjul
- C) Bruksanvisning
- D) Pose med monteringsdetaljer
- E) Håndtak

Montering

Monter hjulene med de medfølgende monteringsdetaljene.

Forberedelser

1. Plasser vedkløyveren på en plan, stabil flate i passende arbeidshøyde.
2. Koble strømkabelen til et strømuttak via en jordfeilbryter. Husk å trekk kabelen unna, så den ikke kan skades av vedkløyveren.
3. Skru lufteskruen (7) 3–4 omdreininger, sånn at det oppstår en luftstrøm under drift.

Innstilling av klyvelengde

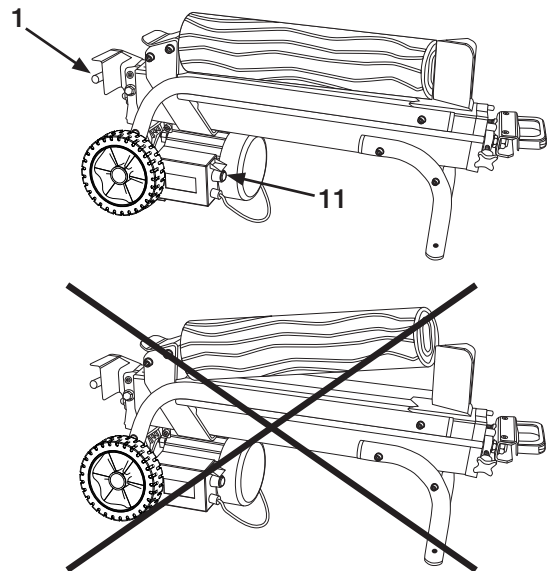
Vedkløyveren går automatisk tilbake til innstilt klyvelengde. Klyvelengden kan stilles inn med hjelp av en returstopp som hindrer stempelet i å gå hele veien tilbake.

1. Kjør stempelet ut uten vedkubbe/emne i, slipp strømbryteren (11), men hold stempelet tilbake i den ytre posisjonen med manøvreringsspaken (1).
2. Løsne på skruen på returstoppen.
3. Flytt returstoppen til ønsket slaglengde og fest skruen igjen.

Starte kløyvingen

1. Plasser alltid trekubben slik at siden med minst kvist ligger mot kløyverkniven. Man må alltid kløyve i fiberretningen.
2. Plasser arbeidsemnet slik at det ligger stabilt og bruk bordets sidestøtter som hjelp.
3. Start motoren ved å trykke inn strømbryteren (11) og hold den inne.
4. Start hydraulikken: Trykk ned manøverspaken (1) mens strømbryteren er inntrykket.
5. Trykkplaten presser trekubben mot kløyverkniven.
6. Slipp manøverspaken og strømbryteren når kløyvingen emnet er delt.

Obs! Trykkplaten stopper automatisk ca. 16 cm fra kløyvekniven.

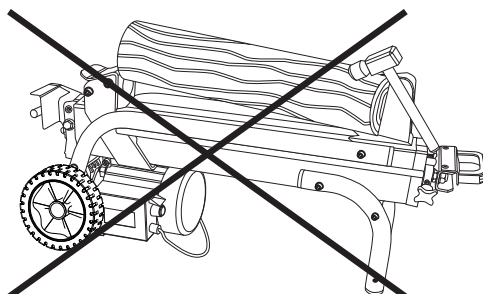
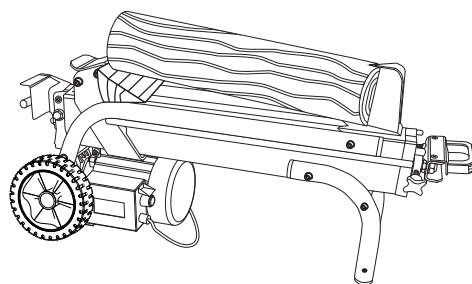


- **Obs!** Hvis ikke kløyvingen av tre-emnet starter innen 5 sekunder tross fullt trykk: Slipp trykkspalen og strømbryteren og la trykkplaten gå tilbake. Drei tre-emnet i 90° eller snu det og prøv forsiktig igjen.
- **Obs!** Steng luftskruen (7) ved transport og lagring av vedkløyveren. Hvis ikke kan oljen renne ut.
- Ved oppbevaring over tid med åpen luftskruer vil oljen trekke til seg fuktighet fra luften omkring. Dette kan føre til at hydraulikksystemet rustner innvendig.
- **Obs!** Sørg for at hele knivens flate brukes ved kløyvingen. Skjev belastning kan skade vedkløyveren.

Hvis trekubben setter seg fast

1. Avslutt kløyvingen.
2. Når trykkplaten har gått tilbake til utgangsposisjonen: legg en trekile under det fastlåste tre-ernnet.
3. Start vedkløyveren og trykk kilen inn med hjelp av trykkplaten.
4. Gjenta prosessen med en større kile dersom det er behov for det.

Obs! Ikke hugg løs et treemnet som sitter i spenn. Det kan løsne med stor kraft og skade deg eller vedkløyveren.

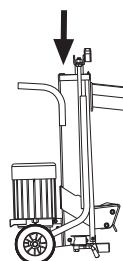
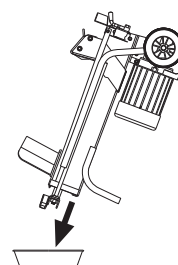


Vedlikehold

Skifte av hydraulikkolje

Hydraulikkoljen skal skiftes med jevne mellomrom (ca. 150 driftstimer).

1. Pass på at trykkplaten er i utgangsposisjonen og dra ut støpselet.
2. Skru av oljepluggen.
3. Vend vedkløyveren med kløyvekniven nedover over et oppsamlingskar som rommer minst 4 liter og vent til all oljen har kommet ut.
4. Vend vedkløyveren slik at den motsatte siden kommer ned og fyll på med ny hydraulikkolje av god kvalitet (ca. 3,5 liter).
5. Tørk av oljepeileren, stikk den ned i tanken i vertikal posisjon og trekk den opp for avlesing. Oljenivået skal ligge mellom de to markeringene på oljepeileren.
6. Rengjør oljepluggen og skru den fast så oljen ikke renner ut.
7. Kontroller oljenivået jevnlig og fyll på ved behov.



Hold kløyvekniven skarp

Kniven holdes skarp ved at du regelmessig filer bort eventuelle grader med en fintannet metallfil.

Øvrig vedlikehold

- Dra ut støpselet før service, vedlikehold og justeringer.
- Kontroller at strømkabelen, kontakter og strømbryter er i god kondisjon og uten skader.
- Rengjør alle delene på vedkløyveren med børste og tørre kluter.
- Maskinen bør oppbevares tørt, rent og i et ikke-korrosivt miljø, utenfor barns rekkevidde. Pass på at lagringstemperaturen ikke synker til under -25° .
- Kontroller at alle skruer og mutre sitter fast. Dette gjelder spesielt mutrene til trekkstengene ved håndtaket.

Avfallshåndtering

Symbolet viser til at produktet ikke skal kastes sammen med husholdningsavfallet. Dette gjelder i hele EØS-området. For å forebygge eventuelle skader på helse og miljø, som følge av feil håndtering av avfall, skal produktet leveres til gjenvinning, slik at materialet blir tatt hånd om på en ansvarsfull måte. Benytt miljøstasjonene som er der du befinner deg eller ta kontakt med forhandler. De kan se til at produktet blir behandlet på en tilfredsstillende måte som gagnar miljøet.



Feilsøking

Problem	Mulig årsak	Passende tiltak
Kløyvingen mislykkes.	Treemnet er feilplassert.	Vend eller roter på det.
	Treemnets hardhet eller diameter er for stor.	Prøv å redusere diameteren eller lengden før kløyving.
	Kniven er sløvt eller skadet.	Skjerp kniven (se <i>Vedlikehold</i>).
	Oljelekkasje.	Lokaliser hvor oljen kommer fra og la en kvalifisert tekniker utbedre feilen. Fyll på olje.
	Feil justering av trykkregulator.	La en kvalifisert person med testutstyr utbedre feilen.
Trykkplaten beveger seg i rykk og napp eller med ulyder og kraftige vibrasjoner.	For lavt oljenivå eller det har kommet luft inn i systemet.	Kontroller nivået og etterfyll ved behov. Lekkasjen må utbedres.
Oljelekkasje ved stempel eller andre komponenter.	Luftlommer i hydraulikksystemet under drift.	Løsne på lufteskruen 3–4 omdreininger før jobben startes.
	Luftskruen er ikke dratt til før transport eller ved flytting av maskinen.	Dra til før flytting eller transport.
	Oljepluggen er ikke ordentlig dratt til.	Skru på oljepluggen.
	Hydraulikkventilen og/eller pakningene er slitt.	Kontakt forhandler.

Spesifikasjoner

Motor	230 V AC, 50 Hz
Effekt	2200 W, S3 25%
Kapslingsklasse	IP54
Kløyvekapasitet*	Ø 5–25 cm, lengde 25–52 cm
Anbefalt driftstemp.	+5 til +40 °C
Kløyvekraft	5 tonn
Hydraulisk trykk	20 Mpa
Mengde hydraulikkolje	3,5 liter
Dimensjoner	Lengde 1 000 mm Bredde 360 mm Høyde 450 mm
Vekt	45 kg
Justerbar returstop	160–520 mm

*Den oppgitte verdien gjelder størrelse. Kapasiteten er også avhengig av hardhet, diameter og mengden kvist. Oftest kan diameteren være større.

Halkomakone LS5T

Tuotenro 18-3570
40-9122

Malli LS5T
LS5T

Lue käyttöohje ennen tuotteen käyttöä ja säilytä se tulevaa tarvetta varten. Pidätämme oikeuden teknisten tietojen muutoksiin. Emme vastaa mahdollisista teksti- tai kuvavirheistä. Jos tuotteeseen tulee teknisiä ongelmia, ota yhteys myymälään tai asiakaspalveluun.

Turvallisuus

Varoitus! Vältä tulipalot, sähköiskut ja loukkaantumiset ja noudata aina seuraavia ohjeita, kun käytät laitetta. Lue koko käyttöohje huolellisesti ennen tuotteen käyttöönottoa ja säilytä se tulevaa tarvetta varten. Poista pistoke pistorasiasta ennen laitteen huoltoa ja säätöä.

Yleisiä turvallisuusohjeita itsesi ja muiden turvaamiseksi

- Pidä työtila puhtaana.**
Tavaraa täynnä olevat työtasot lisäävät onnettomuuden vaaraa.
- Älä käytä laitetta vaarallisessa ympäristössä.**
Sähkökäyttöisiä työkaluja ei saa käyttää kosteilla tai märillä pinnoilla eikä sateella. Huolehdi, että työskentelyalueen valaistus on riittävä. Huolehdi myös pölynpoistosta. Älä käytä sähkökäyttöisiä työkaluja tiloissa, joissa on tulipalon tai räjähdysvaara.
- Vältä sähköiskuja.**
Vältä kontaktia maadoitettuihin esineisiin, kuten vesijohtoihin, lämpöpattereihin, lieteen ym. työskennellessäsi sähkökäyttöisellä työkalulla.
- Pidä lapset ja muut ihmiset etäällä, kun käytät sähkötyökalua.**
Heidän tulee olla riittävän kaukana työpisteestä.
- Säilytä sähkökäyttöistä työkalua lasten ulottumattomissa.**
Säilytä sähkökäyttöistä työkalua lasten ulottumattomissa silloin kun sitä ei käytetä.
- Älä pakota sähkötyökalua.**
Sen käyttö on tehokkaampaa ja turvallisempaa sille tarkoitetulla syöttönopeudella.
- Käytä oikeita työkaluja.**
Älä pakota konetta tai lisälaitetta työtehtävään, johon laite ei sovellu.
- Käytä tarkoituksenmukaisia vaatteita.**
Älä käytä löysiä vaatteita, käsineitä, kaulaketjuja, sormuksia, rannerenkaita tai muita koruja, jotka voivat tarttua liikkuviin osiin. Liukuestekengät lisäävät turvallisuutta. Käytä hiusverkkoa tai vastaavaa, jos sinulla on pitkät hiukset.
- Käytä aina suojalaseja.**
Tavalliset silmälasit eivät anna riittävää suojaa. Käytä myös hengityssuojainta ja suojanaamaria pölyävissä töissä.
- Käytä pölynpoistoa.**
Jos laitteessa on pölynpoisto, käytä sitä. Varmista, että pölynpoistolaitetta käytetään oikein ja että se tyhjenetään riittävän usein.
- Käsittele virtajohtoa varoen.**
Älä kanna sähkötyökalua johdosta. Kun irrotat pistokkeen, vedä pistokkeesta, älä johdosta. Älä altista johtoa kuumuudelle, öljylle tai teräville kulmille.
- Kiinnitä työkalupää kunnolla.**
Käytä esim. ruuvipuristinta sen ollessa mahdollista. Näin kätesi jäävät vapaiksi, ja voit työskennellä molemmilla käsillä. Työkappaleen kiinnittäminen on turvallisempaa kuin työkalupää kiinni pitäminen yhdellä kädellä.
- Älä kurota itseäsi liian kauas.**
Huolehdi riittävästä tasapainosta työskentelyn aikana.

14. **Pidä työkalut hyvässä kunnossa.**

Varmista että työkalut ovat puhtaat ja että terät ovat kunnossa. Näin saavutetaan optimaalinen teho ja turvallinen lopputulos. Noudata voitelua ja tarvikkeiden vaihtoa koskevia ohjeita. Tarkista virtajohdon kunto säännöllisesti. Vioittunut virtajohto tulee vaihtaa valtuutetussa huoltoliikkeessä. Tarkista jatkojohtojen kunto säännöllisesti. Varmista, että laitteen kahvat ja ohjaimet ovat kuivat ja puhtaat ja että niissä ei ole esim. öljyä tai rasvaa.

15. **Katkaise virta.**

Irrota pistoke ja paina hätäpysäytyspainiketta aina ennen huoltoa ja varusteiden, kuten höylänterien, leikkuuterien tai hiomanauhojen vaihtoa.

16. **Poista kaikki avaimet ja huoltotyökalut.**

Ota tavaksi poistaa kaikki avaimet ja huoltotyökalut laitteesta ennen kuin laitat virran päälle.

17. **Vältä tahaton käynnistyminen.**

Työkalua kannettaessa sormi ei saa olla virtakytkimellä/liipaisimella johdon ollessa pistorasiassa. Virtakytkimen tulee olla OFF-asennossa, kun pistoke liitetään pistorasiaan.

18. **Käytä oikeanlaisia jatkojohtoja.**

Käytä ulkona ainoastaan ulkokäyttöön tarkoitettuja jatkojohtoja. Jatkojohdon johtimen pinta-alan tulee olla riittävä. Kierrä koko johto auki.

19. **Käytä tervettä järkeä ja ole varovainen.**

Suunnittele työvaiheet etukäteen, jotta työ sujuisi turvallisesti. Älä käytä konetta väsyneenä, lääkkeiden vaikutuksen alaisena jne.

20. **Varmista, että kaikki osat ovat kunnossa.**

Varmista ennen koneen käynnistämistä, että kaikki suojat ja muut osat ovat kunnossa ja toimivat moitteettomasti. Huolehdi siitä, että liikkuvat osat liikkuvat vapaasti ja että ne on suunnattu oikein, eivätkä jää kiinni. Tarkista myös, ettei koneessa ole muita vikoja tai työskentelyyn vaikuttavia seikkoja. Ainoastaan ammattilainen saa vaihtaa tai korjata vioittuneet suojat ja muut osat. Johdot ja virtakytkimet tulee vaihdattaa ammattilaisella. Älä käytä konetta, mikäli et voi käynnistää ja sammuttaa sitä turvallisesti.

21. **Käytä suositeltuja lisälaitteita.**

Muiden kuin suositeltujen lisälaitteiden käyttö saattaa johtaa onnettomuuksiin tai henkilövahinkoihin.

22. **Korjauksen saa suorittaa ainoastaan ammattilainen.**

Kone on voimassaolevien turvallisuusvaatimusten mukainen. Koneen saa korjata vain ammattilainen. Korjauksessa tulee turvallisuussyistä käyttää ainoastaan alkuperäisosa. Muuten kone voi aiheuttaa onnettomuuksia ja henkilövahinkoja.

23. **Sähkökäyttöinen työkalu tulee turvallisuussyistä liittää vikavirtasuojakytkimen kautta.**

Laitteeseen ei saa tehdä muutoksia, eikä sitä saa käyttää muihin kuin sille tarkoitettuihin työtehtäviin.

Varmista säännöllisesti, että ruuvit ja mutterit ovat kireällä.

Halkomakoneen turvallisuusohjeita

- Säilytä ohjeet ja varmista, että ne ovat halkomakoneen mukana esim. silloin, kun lainaat sitä muille.
- Lue halkomakoneen varoituskilvet ja pidä huolta siitä, että ne ovat aina luettavissa.
- Varmista, että pistorasian jännite on oikea (230 V), ennen kuin liität halkomakoneen verkkovirtaan.
- Älä muuta paineasetuksia. Tehdasasetuksen enimmäispaine on 5 tonnia. Virheelliset asetukset voivat johtaa vakaviin henkilö- ja konevahinkoihin tai koneen vajavaiseen toimintaan.
- Käytä suojalaseja, kuulosuojaimia ja tarvittaessa turvakengkiä.
- Varmista aina, että työasentosi on tasapainoinen työn jokaisessa vaiheessa. Tartu virtakytkimeen ja vipuun molemmin käsin.
- Pidä kädet ja sormet kaukana vastinlevystä ja halkaisukilasta. Ole varovainen käsitellessäsi konetta ja käytä tervettä järkeä.
- Varmista, että koneen lähetyvillä ei ole ihmisiä tai eläimiä. Työskentelyn aikana koneesta saattaa sinkoutua teräviä puunpalasia.
- Irrota virtajohdon pistoke pistorasiasta aina ennen huoltoa sekä kun lopetat työskentelyn. Varmista, että lapset ja sivulliset eivät voi käynnistää halkomakonetta.
- Liitä halkomakone pistorasiaan varmuuden vuoksi vikavirtasuojakytkimen kautta.
- Älä käytä halkomakonetta sateessa tai erittäin kostealla ilmalla.

- Älä koskaan käytä halkomakonetta, jos virtajohto, virtakytkin tai jokin muu osa on vaurioitunut. Vika on korjautettava asiantuntijalla.
- Pidä työtilat puhtaana ja varmista, että sähkömoottorin jäähdytys toimii moitteetta. Poista mahdolliset jäähdytyslaippoja tai ilmanottoaukkoja tukkivat roskat.
- **Huom.!** Avaa ilmaventtiilin ruuvia (7) 3–4 kierrosta, kunnes voit tuntea ilmavirran käytön aikana, muussa tapauksessa hydraulijärjestelmän tiivisteet vioittuvat mikä johtaa halkomakoneen vioittumiseen.
- Varmista ennen käyttöä, että vetotankojen mutterit ovat tiukasti kiinni, muuten halkomakone saattaa vioittua.

Halkomakoneen merkinnät ja turvallisuussymbolit



Varoitus! Puristumisvaara. Ole tarkkana ja pidä kädet poissa liikkuvista osista koko halkaisun ajan.



Varoitus! Puristumisvaara kun irrotat juuttuneen halon. Älä poista käsin, vaan käytä työkalua.



Varoitus! Puristumisvaara. Tarkkaile vastinlevyn liikkumista.



Halkomakoneen turva-alueella ei saa oleskella kukaan muu kuin koneen käyttäjä. Älä päästä lapsia, eläimiä tai muita henkilöitä laitteen lähelle.



Sammuta halkomakone ja irrota virtajohdon pistoke pistorasiasta ennen puhdistusta ja huoltoa sekä silloin, kun halkomakonetta ei käytetä!



Varmista ennen käyttöä, että halkomakone ei ole vioittunut. Kiinnitä erityistä huomiota virtajohdon kuntoon, mahdollisiin löysiin ruuveihin ja muttereihin sekä ohjausvivun toimintaan.



Lue käyttöohje.
Lue koko käyttöohje ja varmista, että olet ymmärtänyt halkomakoneen toimintatavan!



Käytä suojalaseja.
Suojaa silmät lentäviltä palasilta. Käytä visiiriä tai suojalaseja.



Käytä käsineitä.

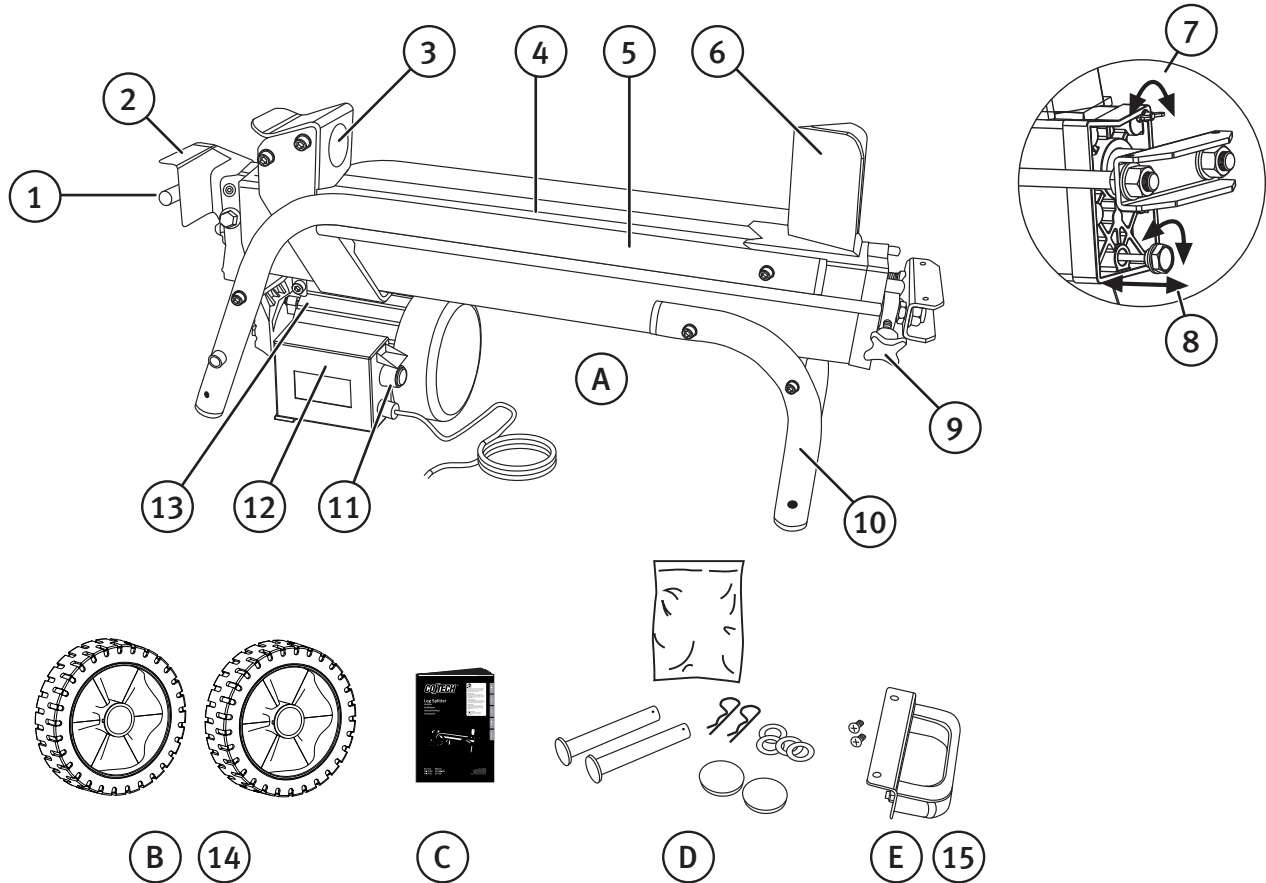


Käytä turvakenkiä.
Käytä kenkiä, joissa putoavilta esineiltä suojaavat teräskärjet.



Ajattele ympäristöä, ja kierrätä jäteöljy asianmukaisesti.

Tuotteen kuvaus



Osat

1. Ohjausvipu
2. Ohjausvivun suoja
3. Vastinlevy
4. Halkaisupöytä
5. Sivutuki
6. Halkaisukiila
7. Ilmaventtiili
8. Öljytulppa ja öljytikku
9. Palautuksen pysäytys
10. Tukijalka
11. Virtakytkin
12. Sähköyksikkö
13. Moottori
14. Pyörä pienempiä siirtoja varten
15. Kahva

Pakkauksen sisältö

- A) Halkomakone
- B) Pyörä
- C) Käyttöohje
- D) Asennustarvikepussi
- E) Kahva

Asennus

Asenna pyörät mukana tulevilla kiinnitysosilla.

Esivalmistelut

1. Sijoita halkomakone tasaiselle ja tukevalle alustalle sopivalle työkorkeudelle.
2. Liitä virtajohto pistorasiaan vikavirtasuojakytkimen kautta. Vedä johto niin, että se ei vahingoitu työskennellessä.
3. Avaa ilmaventtiilin ruuvia (7) 3–4 kierrosta, kunnes voit tuntea ilmavirran käytön aikana.

Halkaisupituuden säätäminen

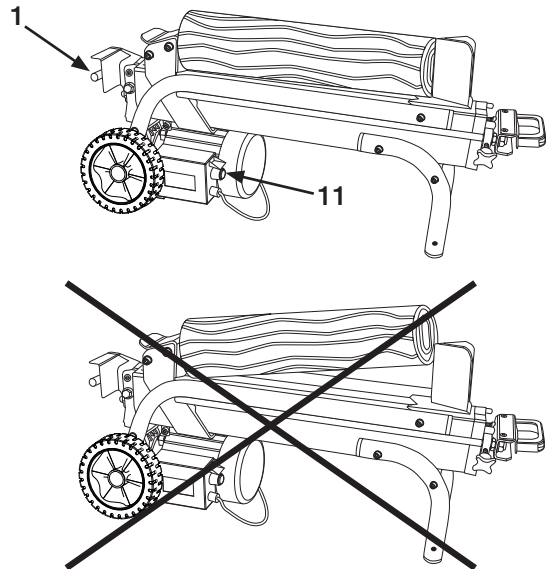
Halkomakone palautuu automaattisesti asetettuun halkaisupituuteen. Halkaisupituuden voi säätää palautuksen pysäytyksellä, joka estää mäntää palautumasta loppuun asti.

1. Aja mäntä uloimpaan asentoon ilman puukappaletta, päästä virtakytkin (11), mutta pidä mäntä uloimmassa asennossa ohjausvivun (1) avulla.
2. Avaa palautuksen pysäytyksen ruuvi.
3. Siirrä palautuksen pysäytys sopivaan pituuteen ja kiristä ruuvi.

Halkomakoneen käytön aloittaminen

1. Laita aina puun vähiten oksainen puoli terää vasten. Pilko aina puun syiden mukaisesti.
2. Sijoita ranka tukevasti. Käytä apunasi työskentelytason sivutukea.
3. Käynnistä moottori painamalla virtakytkintä (11) ja pitämällä sitä pohjassa.
4. Hydrauliiikan käynnistäminen: Paina ohjausvipu (1) alas (virtakytkimen ollessa pohjassa).
5. Vastinlevy työntää rankaa terää vasten.
6. Lopeta halkominen päästämällä ohjausvipu ja virtakytkin puun haljettua.

Huom.! Vastinlevy pysähtyy automaattisesti n. 16 cm:n päähän halkaisukiilasta.

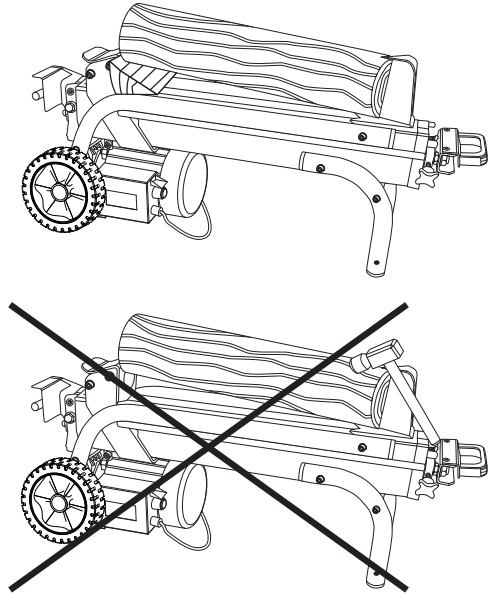


- **Huom.!** Jos ranka ei halkea viiden sekunnin aikana täydellä paineella, päästä ohjausvipu ja anna vastinlevyn palautua. Käännä rankaa 90° tai kierrä sitä.
- **Huom.!** Sulje ilmaventtiili (7) kuljetuksen ja säilytyksen ajaksi, jotta öljy ei valu ulos.
- Jos halkomakonetta säilytetään pitkään ilmaruuvien ollessa auki, öljy kerää kosteutta. Tämä saattaa johtaa hydraulijärjestelmän ruostumiseen.
- **Huom.!** Älä halkaise pelkästään halkaisukiilan yläosalla. Halkomakone saattaa vahingoittua, jos sitä kuormitetaan epätasaisesti.

Jos ranka jumittuu

1. Keskeytä halkominen.
2. Sijoita puinen kiila jumiutuneen rangan alle, kun vastinlevy on palautunut lähtöasentoon.
3. Käynnistä halkomakone ja työnnä kiilaa eteenpäin vastinlevyn avulla.
4. Toista tarvittaessa isommalla kiilalla.

Huom.! Älä yritä irrottaa jumiutunutta rankaa lyömällä. Ranka saattaa haljeta suurella voimalla ja aiheuttaa henkilö- ja laitevahinkoja.

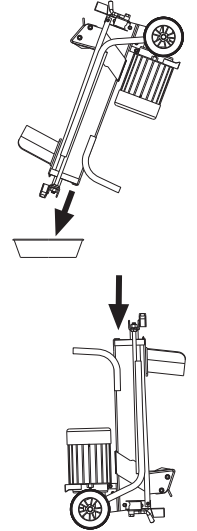


Huolto

Hydrauliöljyn vaihto

Öljy on vaihdettava säännöllisin väliajoin (noin 150 käyttötunnin jälkeen) seuraavasti:

1. Varmista, että vastinlevy on alkutilassa. Poista pistoke pistorasiasta.
2. Irrota öljytulppa.
3. Käännä halkomakone vähintään 4 litran astian ylle niin, että halkaisukiila osoittaa alaspäin. Odota, kunnes öljysäiliö on tyhjä.
4. Käännä halkomakone oikein päin ja kaada uutta, laadukasta hydrauliöljyä (n. 3,5 litraa) säiliöön.
5. Puhdista öljytikku ja työnnä se säiliöön halkomakoneen ollessa pystyasennossa. Nosta öljytikku ja tarkasta öljymäärä. Öljyn rajan on osuttava kahden merkinnän välille.
6. Puhdista öljytulppa ja kiinnitä se kunnolla niin, että öljyä ei pääse valumaan pois.
7. Tarkista öljyn määrä säännöllisesti, lisää tarvittaessa.



Pidä halkaisukiila terävänä

Pidä halkaisukiila terävänä hiomalla pois mahdolliset jäysteet hienolla metalliviilalla.

Muu huolto

- Vedä aina virtajohton pistoke pistorasiasta ennen huoltoa ja säätöä.
- Varmista, että virtajohto, pistoke ja virtakytkin ovat hyväkuntoiset ja vahingoittumattomat.
- Puhdista halkomakoneen kaikki osat harjalla ja kuivalla liinalla.
- Säilytä halkomakonetta kuivassa ja puhtaassa ympäristössä suojassa syövyttäviltä aineilta sekä lapsilta ulottumattomissa. Älä säilytä halkomakonetta alle -25 °C lämpötilassa.
- Varmista, että kaikki ruuvit ja mutterit ovat kiinni. Kiinnitä erityistä huomiota kahvassa vetotankojen muttereihin.

Kierrättäminen

Tämä symboli tarkoittaa, että tuotetta ei saa laittaa kotitalousjätteen sekaan. Ohje koskee koko EU-aluetta. Virheellisestä kierrättämisestä johtuvien mahdollisten ympäristö- ja terveyshaittojen ehkäisemiseksi tuote tulee viedä kierrätettäväksi, jotta materiaali voidaan käsitellä vastuullisella tavalla. Kierrätä tuote käyttämällä paikallisia kierrätysjärjestelmiä tai ota yhteys ostopaikkaan. Ostopaikassa tuote kierrätetään vastuullisella tavalla.



Vianhaku

Ongelma	Mahdollinen syy	Toimenpide
Halkominen epäonnistuu.	Ranka on asetettu väärin.	Käännä rankaa tai syötä vastakkainen pää ensin.
	Ranka on liian kova tai halkaisijaltaan liian suuri.	Yritä pienentää rangan halkaisijaa tai lyhentää rankaa ennen halkomista.
	Halkaisukiila on tylsä tai vioittunut.	Teroita halkaisukiila (ks. <i>Huolto</i>).
	Öljy vuotaa.	Etsi vuoto, anna asiantuntijan korjata vika, lisää öljyä.
	Paineensäädin on väärin säädetty.	Anna asiantuntijan, jolla on käytettävissään säätölaitteisto, korjata vika.
Vastinlevy liikkuu katkonaisesti, äänekkäästi ja voimakkaasti tärähdellen.	Öljysäiliössä on liian vähän öljyä, järjestelmään on päässyt ilmaa.	Tarkista öljymäärä, lisää tarvittaessa öljyä ja korjauta mahdolliset vuodot.
Öljyvuoto männän tai muiden komponenttien kohdalla.	Hydraulijärjestelmässä on ilmaa käytön aikana.	Avaa ilmaventtiiliä 3–4 kierrosta ennen työn aloittamista.
	Ilmaventtiiliä ei ole suljettu kuljetuksen tai siirron ajaksi.	Sulje ilmaventtiili ennen siirtoa tai kuljetusta.
	Öljytulppaa ei ole kiristetty kunnolla.	Kiristä öljytulppa.
	Hydrauliventtiili ja/tai sen tiivisteet ovat kuluneet.	Ota yhteys ostopaikkaan.

Tekniset tiedot

Moottori	230 V AC, 50 Hz
Teho	2200 W, S3 25%
Kotelointiluokka	IP54
Kapasiteetti*	Pituus 25–52 cm, Ø 5–25 cm
Suosittelut käyttölämpötila	+5 ... 40 °C
Halkaisuvoima	5 tonnia
Hydraulipaine	20 Mpa
Hydrauliöljyn määrä	3,5 litraa
Mitat	Pituus 1000 mm
	Leveys 360 mm
	Korkeus 450 mm
Paino	45 kg
Säädettävän palautuksen pysäytys	160–520 mm

*Arvot ovat suuntaa antavia. Kapasiteetti riippuu puun kovuudesta, halkaisijasta ja oksaisuudesta. Halkomakone halkaisee usein huomattavasti paksummat rangat.

Holzspalter LS5T

Art.Nr. 18-3570
40-9122

Modell LS5T
LS5T

Vor Inbetriebnahme die komplette Bedienungsanleitung durchlesen und aufbewahren.

Irrtümer, Abweichungen und Änderungen behalten wir uns vor.

Bei technischen Problemen oder anderen Fragen freut sich unser Kundenservice über eine Kontaktaufnahme.

Sicherheitshinweise

WARNUNG: Bei Anwendung von Maschinen stets die folgenden allgemeinen Sicherheitshinweise einhalten, um Feuergefahr, Stromschläge und Personenschäden zu vermeiden. Vor Inbetriebnahme die komplette Bedienungsanleitung durchlesen und aufbewahren. Vor Service- und Einstellarbeiten am Gerät immer den Netzstecker aus der Maschine ziehen.

Allgemeine Sicherheitsregeln zum Schutz des Anwenders und anderer Personen

- 1. Den Arbeitsplatz sauber halten.**
Vollgestellte Flächen und Tische erhöhen das Unfallrisiko.
- 2. Die Maschine nicht in gefährlichen Umgebungen benutzen.**
Elektrische Maschinen nicht auf feuchten, nassen Flächen oder bei Regen einsetzen. Für gute Beleuchtung des Arbeitsplatzes sorgen. Bei staubenden Tätigkeiten für gute Lüftung sorgen. Elektrische Maschinen niemals an Stellen benutzen, wo sie Brände oder Explosionen verursachen können.
- 3. Stromschläge vermeiden.**
Bei der Arbeit mit Elektromaschinen Körperkontakt mit geerdeten Gegenständen wie Wasserleitungen, Heizkörpern, Kochherden etc. vermeiden.
- 4. Kinder und andere Personen fernhalten.**
Kinder und andere Personen müssen sich im Sicherheitsabstand zu elektrischen Maschinen und elektrischen Kabeln am Arbeitsplatz aufhalten.
- 5. Die Maschinen kindersicher aufbewahren.**
Nicht verwendete Elektromaschinen verschlossen oder außer Reichweite von Kindern aufbewahren.
- 6. Die Maschine nicht überbeanspruchen.**
Sie leistet bessere und sicherere Arbeit mit der vorgesehenen Vorschubgeschwindigkeit.
- 7. Das richtige Werkzeug einsetzen.**
Werkzeuge oder Zubehör nicht entgegen der Arbeitsrichtung benutzen. Keine Arbeitsschritte durchführen, für die sie nicht vorgesehen ist.
- 8. Geeignete Arbeitskleidung tragen.**
Keine lockere Kleidung, Handschuhe, Halsketten, Ringe, Armbänder oder andere Schmuckstücke tragen, die sich in rotierenden Teilen verfangen können. Das Tragen rutschfester Schuhe wird empfohlen. Bei langem Haar ein Haarnetz (o. Ä.) tragen.
- 9. Immer einen Augenschutz tragen.**
Immer einen Augenschutz tragen, eine normale Brille reicht nicht aus! Bei staubenden Arbeiten einen Staubfilter oder eine Schutzmaske anwenden.
- 10. Absaugeinrichtungen benutzen.**
Ist die Maschine darauf ausgelegt, mit einer Absaugeinrichtung Staub und Späne zu entfernen bzw. aufzusaugen, muss diese auch eingesetzt werden. Sicherstellen, dass die Ausrüstung richtig angewendet und rechtzeitig entleert wird.
- 11. Das Netzkabel stets mit Sorgfalt behandeln.**
Die Maschine niemals am Anschlusskabel tragen. Nicht am Kabel, sondern am Stecker herausziehen. Sicherstellen, dass das Anschlusskabel nicht mit Hitze, Öl oder scharfen Kanten in Kontakt kommt.
- 12. Das Werkstück sorgfältig befestigen.**
Wenn nötig, Zwingen oder einen Schraubstock anwenden, damit die Maschine mit beiden Händen geführt werden kann. Das ist sicherer, als das Werkstück mit einer Hand zu halten.
- 13. Immer eine stabile und bequeme Arbeitsposition einnehmen.**
Für einen sicheren Stand und gutes Gleichgewicht sorgen.

14. Werkzeuge mit Sorgfalt pflegen.

Sicherstellen, dass sie für optimale Leistung und ein sicheres Ergebnis sauber und ihre Klingen scharf sind. Zum Schmieren und beim Wechsel von Zubehör den Empfehlungen aus der Bedienungsanleitung folgen. Das Netzkabel regelmäßig auf Schäden kontrollieren. Bei Bedarf von einem qualifizierten Servicetechniker auswechseln lassen. Sämtliche Verlängerungskabel regelmäßig auf Schäden überprüfen. Sicherstellen, dass Griffe und Schalter der Maschine trocken, sauber und frei von Öl, Fett usw. sind.

15. Den Strom abschalten.

Vor Servicearbeiten und dem Wechsel von Zubehör wie Hobelmessern, Bohrern, Klingen, Schleifbändern oder -blättern den Stecker herausziehen und den Notausschalter betätigen.

16. Alle Schlüssel und Servicewerkzeuge entfernen.

Routinemäßig überprüfen, ob sämtliche Schlüssel und Servicewerkzeuge von der Maschine entfernt sind, bevor der Strom eingeschaltet wird.

17. Versehentliches Einschalten vermeiden.

Die elektrische Maschine nicht mit einem Finger am Ein-/Ausschalter tragen, wenn das Kabel in der Steckdose steckt. Sicherstellen, dass der Ein-/Ausschalter auf **OFF** steht, bevor der Stecker in die Steckdose gesteckt wird.

18. Geeignete Verlängerungskabel anwenden.

Im Außenbereich ausschließlich Verlängerungskabel benutzen, die für diesen Zweck zugelassen sind. Verlängerungskabel mit ausreichendem Querschnitt verwenden. Immer das gesamte Kabel abrollen.

19. Mit Vernunft und Achtsamkeit an die Arbeit gehen.

Die einzelnen Arbeitsschritte gut planen, damit sie sicher durchgeführt werden können. Bei Müdigkeit, unter Einfluss von Medikamenten etc. nicht mit der Maschine arbeiten.

20. Sicherstellen, dass alle Teile unbeschädigt sind.

Vor Start der Maschine sicherstellen, dass alle Schutz- und sonstigen Teile unbeschädigt und funktionstüchtig sind, dass alle beweglichen Teile frei beweglich und richtig eingerichtet sind, dass keine beweglichen Teile eingeklemmt werden können sowie dass keine Defekte oder anderen Umstände eintreten können, welche die Ausführung der Arbeit beeinträchtigen können. Beschädigte Schutzvorrichtungen oder Schäden an anderen Teilen müssen fachgerecht repariert bzw. ausgewechselt werden. Defekte Kabel und Schalter müssen immer von einem Fachmann ausgewechselt werden. Die Maschine niemals verwenden, wenn sie sich nicht sicher ein- oder ausschalten lässt.

21. Das empfohlene Zubehör verwenden.

Die Verwendung von nicht empfohlenem Zubehör kann zu Unfällen oder Verletzungen führen.

22. Reparaturen nur von qualifizierten Technikern durchführen lassen.

Die Maschine erfüllt die geltenden Sicherheitsanforderungen. Reparaturen der Maschine müssen immer von einem Fachmann und mit Original-Ersatzteilen ausgeführt werden. Andernfalls kann es zu Unfällen oder Verletzungen kommen.

23. Elektromaschinen müssen zum Schutz von Personen über eine Fehlerstrom-Schutzeinrichtung an das Stromnetz angeschlossen werden.

Die Maschine niemals manipulieren oder für Arbeitsschritte verwenden, für die sie nicht vorgesehen ist. Regelmäßig sicherstellen, dass sämtliche Schrauben und Muttern richtig angezogen sind.

Besondere Sicherheitshinweise für Holzspalter

- Die Bedienungsanleitung aufbewahren und dafür sorgen, dass sie bei einem eventuellen Verleih der Maschine mit ausgehändigt wird.
- Die Waraufkleber der Maschine lesen und dafür sorgen, dass sie immer gut lesbar sind.
- Vor Anschluss des Holzspalters sicherstellen, dass die Steckdose die richtige Netzspannung (230 V) hat.
- Niemals versuchen, eigenhändig die Druckeinstellung zu ändern. Die werkseitige Einstellung gewährleistet eine max. Druckkraft von 5 Tonnen. Eine falsche Einstellung kann zu einer schlechteren Funktion führen und schwere Verletzungen oder Maschinenschäden verursachen.
- Bei Bedarf Augenschutz, Gehörschutz und Sicherheitsschuhe tragen.
- Stets so stehen, dass alle Arbeiten mit gutem Gleichgewicht ausgeführt sowie Ein-/Ausschalter und Druckhebel mit beiden Händen gehalten werden können.
- Hände und Finger in sicherem Abstand zu Druckplatte und Spaltkeil halten. Wie bei allen Arbeiten an Maschinen mit Vorsicht und gesundem Menschenverstand arbeiten.

- Sicherstellen, dass sich weder Menschen noch Tiere in der Nähe der Maschine aufhalten, da scharfe Holzsplitter mit großer Wucht herumfliegen können.
- Bei Servicearbeiten und Arbeitspausen stets den Netzstecker aus der Steckdose ziehen und dafür sorgen, dass keine Kinder den Holzspalter starten können.
- Die Maschine sicherheitshalber über einen Fehlerstromschutzschalter an das Stromnetz anschließen.
- Den Holzspalter niemals bei Regen oder extrem feuchtem Wetter anwenden.
- Die Maschine niemals verwenden, wenn Stromkabel, Ein-/Ausschalter oder ein anderes Teil beschädigt ist. Defekte Teile von einem Fachmann auswechseln lassen.
- Den Arbeitsplatz sauber halten und sicherstellen, dass die Kühlung des Elektromotors nicht durch Schmutz an den Kühlflanschen oder Lüftungsöffnungen behindert wird.
- **Hinweis:** Die Entlüftungsschraube (7) 3–4 Umdrehungen herausschrauben, sodass während des Betriebs ein deutlicher Luftstrom zu spüren ist. Andernfalls können die Dichtungen im Hydrauliksystem beschädigt werden und den Holzspalter unbrauchbar machen.
- Vor der Anwendung den festen Sitz der Muttern an den Zugstangen überprüfen, da anderenfalls der Holzspalter beschädigt werden kann.

Produktkennzeichnung mit Piktogrammen



Warnung! Quetschgefahr, vorsichtig vorgehen und während des Spaltvorgangs die Hände von beweglichen Teilen fernhalten.



Warnung! Quetschgefahr beim Versuch, ein verklemmtes Holzstück zu entfernen. Dies nicht mit den Händen versuchen, sondern unbedingt mithilfe eines geeigneten Werkzeugs durchführen.



Warnung! Quetschgefahr, stets auf die Bewegungen der Druckplatte achten.



Außer dem Bediener der Maschine dürfen sich keine weiteren Personen im Gefahrenbereich der Maschine aufhalten. Kinder und andere Personen sowie Haustiere vom Gefahrenbereich der Maschine fernhalten.



Bei Nichtbenutzung der Maschine und vor Reinigungs- und Servicearbeiten den Stecker des Netzkabels aus der Steckdose ziehen.



Vor Gebrauch die Maschine auf eventuelle Beschädigungen kontrollieren, besonders das Netzkabel. Festen Sitz von Schrauben/Muttern und Funktion des Bedienhebels sowie der Schutzvorrichtungen kontrollieren.



Die Bedienungsanleitung durchlesen.
Die gesamte Bedienungsanleitung durchlesen, um sich mit der Funktionsweise der Maschine vertraut zu machen.



Augenschutz tragen.
Die Augen vor herumfliegenden Splintern schützen. Immer Augenschutz tragen.



Handschuhe tragen.

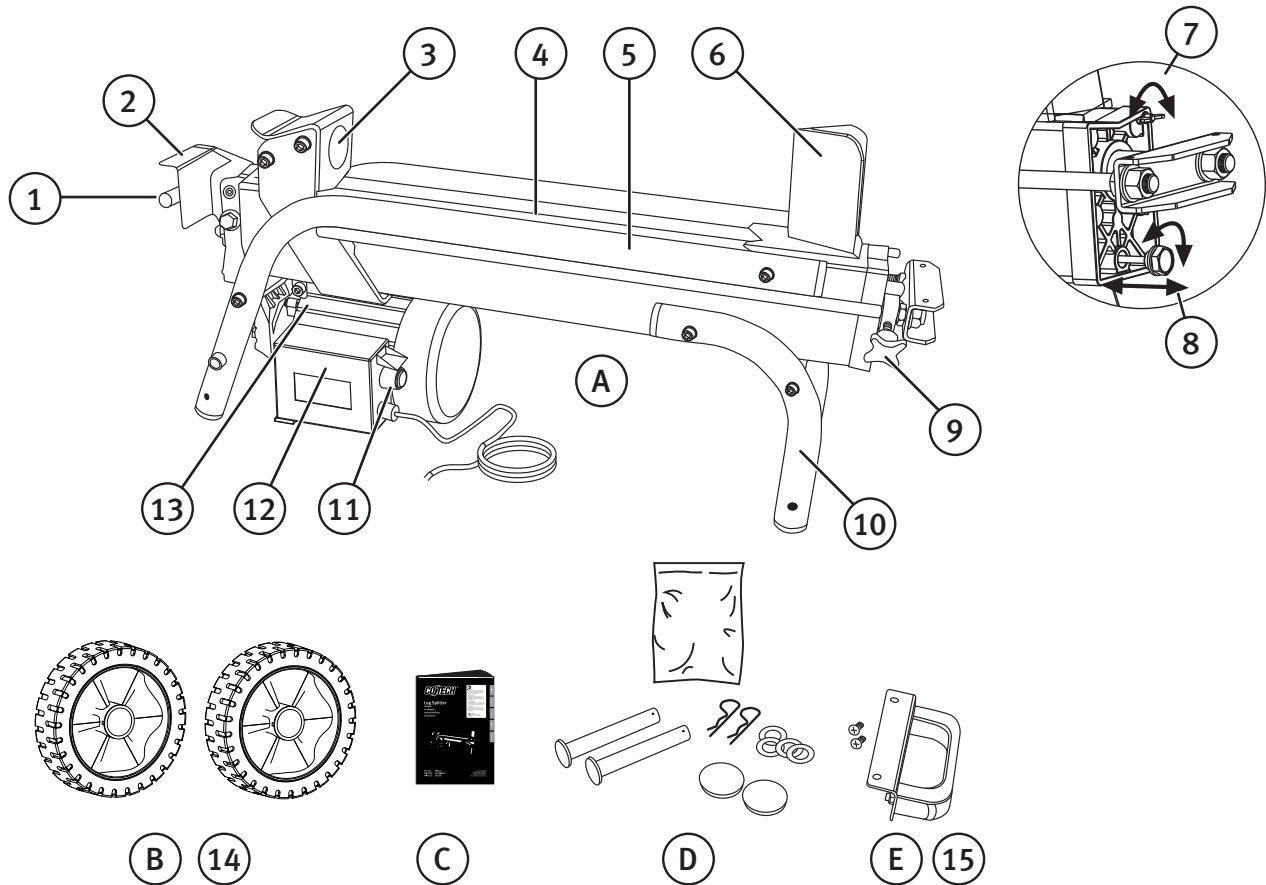


Sicherheitsschuhe tragen.
Sicherheitsschuhe mit Zehenschutzkappe tragen, die Schutz vor herunterfallenden Gegenständen bieten.



An die Umwelt denken und Altöl nach den örtlichen Umweltvorschriften entsorgen.

Produktbeschreibung



DEUTSCH

Komponenten

1. Bedienhebel
2. Schutzvorrichtung für den Bedienhebel
3. Druckplatte
4. Spalttisch
5. Seitenstützen
6. Spaltmesser
7. Entlüftungsschraube
8. Ölablassschraube mit Ölmesstab
9. Rückanschlag
10. Stützbeine
11. Ein-/Ausschalter
12. Schutzbox
13. Motor
14. Rollen für kürzere Transportstrecken
15. Griff

Verpackungsinhalt

- A) Holzspalter
- B) Rollen
- C) Bedienungsanleitung
- D) Beutel mit Montageteilen
- E) Griff

Montage

Die Rollen mithilfe der mitgelieferten Montageteile anbringen.

Vorbereitungen

1. Den Holzspalter auf einer ebenen und stabilen Arbeitsfläche in geeigneter Arbeitshöhe aufstellen.
2. Das Netzkabel an eine Steckdose anschließen, am besten über einen Fehlerstromschutzschalter. Bei der Verlegung des Kabels darauf achten, dass es bei der Arbeit mit dem Holzspalter nicht beschädigt werden kann.
3. Die Entlüftungsschraube (7) 3–4 Umdrehungen herausschrauben, sodass während des Betriebs ein deutlicher Luftstrom zu spüren ist.

Einstellen der gewünschten Spaltlänge

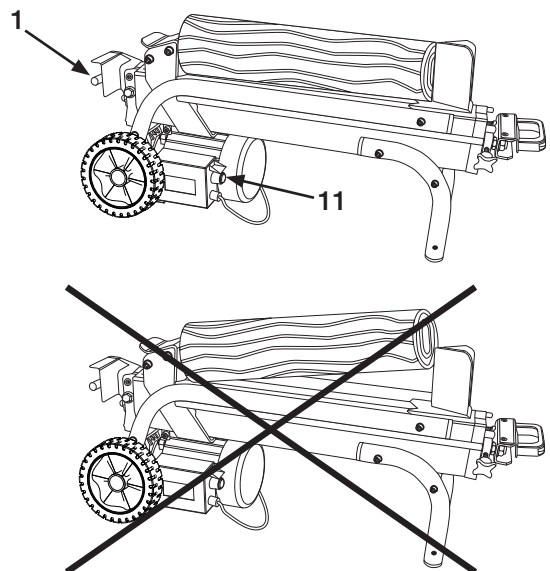
Der Holzspalter besitzt eine automatische Rückkehr zur voreingestellten Spaltlänge. Die Spaltlänge kann mithilfe des Rückenschlags eingestellt werden, der verhindert, dass der Kolben den gesamten Weg zurückfährt.

1. Den Kolben ohne Holzstück zurückfahren, den Stromschalter (11) loslassen und den Kolben mithilfe des Bedienhebels (1) in dieser Stellung festhalten.
2. Die Schrauben am Rückenschlag lösen.
3. Der Rückenschlag an die gewünschte Spaltlänge bringen und die Schraube wieder anziehen.

Betrieb des Holzspalters

1. Das Holzstück stets mit dem am wenigsten astigen Ende zum Spaltmesser hinlegen, immer in Faserrichtung spalten.
2. Das Holzstück stabil liegend platzieren, dabei die Seitenstützen des Arbeitstisches als Hilfe verwenden.
3. Um den Motor zu starten, den Ein-/Ausschalter (11) starten und den Schalter eingedrückt halten.
4. Um die Hydraulik zu starten, den Bedienhebel (1) bei eingedrücktem Ein-/Ausschalter herunterdrücken.
5. Die Druckplatte presst das Holzstück gegen das Spaltmesser.
6. Um den Spaltvorgang nach dem Spalten des Holzstückes zu beenden, den Bedienhebel und den Ein-/Ausschalter loslassen.

Hinweis: Die Druckplatte hält ca. 16 cm vor dem Spaltmesser automatisch an.

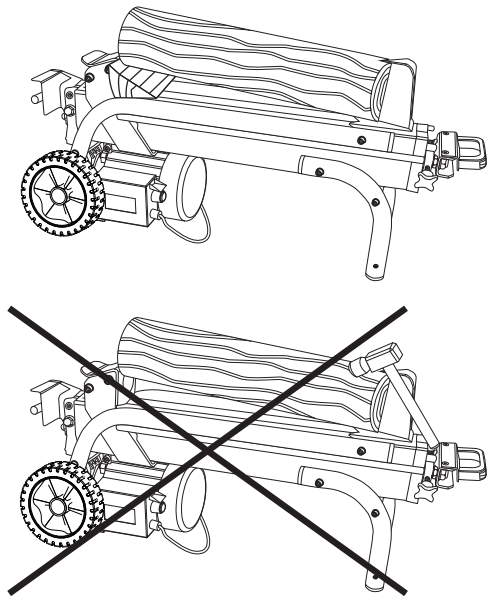


- **Hinweis:** Ist das Holzstück trotz vollem Druck nach 5 Sekunden noch nicht gespalten, den Bedienhebel und den Stromschalter loslassen und die Druckplatte zurückgleiten lassen, dann das Holzstück um 90° drehen oder auf den Rücken legen und erneut versuchen.
- **Hinweis:** Bei Transport und Lagerung der Maschine die Entlüftungsschraube (7) schließen, da anderenfalls Öl austreten kann.
- Bei längerer Aufbewahrung mit geöffneter Entlüftungsschraube absorbiert das Öl die in der Luft vorhandene Feuchtigkeit. Hierdurch kann das Hydrauliksystem von innen rosten.
- **Hinweis:** Nicht nur mit dem oberen Teil des Spaltmessers spalten, der Holzspalter kann bei ungleichmäßiger Belastung beschädigt werden.

Bei Verklemmen des Holzstückes

1. Den Spaltvorgang beenden.
2. Wenn die Druckplatte in die Ausgangslage zurückgegangen ist, einen Holzkeil unter das verklemmte Holzstück legen.
3. Den Holzspalter starten und den Keil mithilfe der Druckplatte eindrücken.
4. Den Vorgang bei Bedarf mit einem größeren Keil wiederholen.

Hinweis: Niemals versuchen, ein eingespanntes Holzstück loszuschlagen, dieses kann unter Freisetzung großer Kräfte zersplittern und zu Verletzungen oder Schäden am Holzspalter führen.

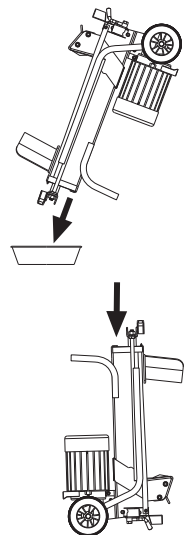


Wartung

Wechseln des Hydrauliköls

Das Hydrauliköl in regelmäßigen Abständen (etwa alle 150 Betriebsstunden) wie folgt wechseln:

1. Sicherstellen, dass sich die Druckplatte in ihrer Ausgangslage befindet und dann den Stecker ziehen.
2. Die Ölablassschraube herausschrauben.
3. Den Holzspalter mit dem Spaltmesser nach unten über eine Sammelwanne mit einem Fassungsvermögen von mindestens 4 Liter neigen und warten, bis das gesamte Öl ausgelaufen ist.
4. Den Holzspalter mit der Motorseite nach unten neigen und neues Hydrauliköl von guter Qualität (ca. 3,5 l) einfüllen.
5. Den Ölmesstab abwischen, in den Tank stecken (Holzspalter in vertikaler Stellung), herausziehen und ablesen. Der Ölstand sollte zwischen den zwei Markierungen auf dem Messstab liegen.
6. Die Ölablassschraube reinigen und ordentlich festschrauben, damit kein Öl austritt.
7. Den Ölstand regelmäßig kontrollieren und bei Bedarf Öl nachfüllen.



Schärfen des Spaltmessers

Das Spaltmesser scharf halten, indem regelmäßig etwaige Grate an der Messerschneide mit einer feinen Metallfeile entfernt werden.

Sonstige Wartung

- Vor Service- und Einstellarbeiten immer erst den Netzstecker ziehen.
- Sicherstellen, dass Netzkabel, Stecker und Schalter in gutem Zustand und ohne Defekte sind.
- Alle Teile des Holzspalters mit Bürste und trockenen Tüchern reinigen.
- Die Maschine in einer trockenen, nicht-korrosiven Umgebung außerhalb der Reichweite von Kindern aufbewahren und dafür sorgen, dass die Lagertemperatur nicht unter -25 °C fällt.
- Festen Sitz aller Schrauben und Muttern kontrollieren, besonders hinsichtlich der Muttern an den Zugstangen (am Handgriff).

Hinweise zur Entsorgung

Dieses Symbol zeigt an, dass das Produkt nicht gemeinsam mit dem Haushaltsabfall entsorgt werden darf. Dies gilt in der gesamten EU. Um möglichen Schäden für die Umwelt und Gesundheit vorzubeugen, die durch fehlerhafte Abfallentsorgung verursacht werden, soll dieses Produkt auf verantwortliche Weise recycelt werden um die nachhaltige Wiederverwertung von stofflichen Ressourcen zu fördern. Bei der Rückgabe des Produktes bitte die vorhandenen Recycling- und Sammelstationen benutzen oder den Händler kontaktieren. Dieser kann das Produkt auf eine umweltfreundliche Weise recyceln.



Fehlersuche

Problem	Mögliche Ursache	Geeignete Maßnahme
Das Holzstück wird nicht gespalten.	Das Holzstück ist falsch positioniert.	Das Holzstück umdrehen oder wenden.
	Härte oder Durchmesser des Holzstückes ist zu groß.	Vor dem Spalten den Durchmesser oder die Länge verkleinern.
	Das Spaltmesser ist stumpf oder beschädigt.	Das Spaltmesser schärfen (siehe <i>Wartung</i>).
	Ölleckage.	Das Leck lokalisieren, einen qualifizierten Techniker mit der Fehlerbeseitigung beauftragen, Öl nachfüllen.
	Falsche Einstellung des Druckreglers.	Einen qualifizierten Techniker mit Testausrüstung mit der Fehlerbeseitigung beauftragen.
Die Druckplatte bewegt sich ruckartig mit Störgeräuschen und starken Vibrationen.	Zu niedriger Ölstand, Luft ist in das System eingedrungen.	Den Ölstand kontrollieren und bei Bedarf Öl nachfüllen, etwaige Lecks beseitigen.
Ölleckage am Kolben oder einer anderen Komponente.	Luftblasen im Hydrauliksystem während des Betriebs.	Vor Beginn der Arbeiten die Entlüftungsschraube 3–4 Umdrehungen herausschrauben.
	Die Entlüftungsschraube ist vor Transport oder Platzwechsel nicht festgezogen worden.	Vor Platzwechsel oder Transport die Entlüftungsschraube festziehen.
	Die Ölablassschraube ist nicht ordentlich festgezogen.	Die Ölablassschraube festziehen.
	Das Hydraulikventil und/oder die Dichtungen sind verschlissen.	Den Händler kontaktieren.

Technische Daten

Motor	230 V AC, 50 Hz
Leistungsaufnahme	2200 W, S3 25%
Schutzart	IP54
Spaltkapazität*	Ø 5–25 cm, Länge 25–52 cm
Empf. Betriebstemperatur	+5 bis +40 °C
Spalkraft	5 Tonnen
Hydraulischer Druck	20 MPa
Hydraulikölmenge	3,5 Liter
Maße	Länge 1000 mm Breite 360 mm Höhe 450 mm
Gewicht	45 kg
Ausziehbarer Rückanschlag	160–520 mm

*Die angegebenen Werte sind Richtwerte, die Kapazität hängt von Härte, Durchmesser und Astigkeit des Holzstückes ab. Oft ist das Spalten von deutlich größerem Durchmesser möglich.

Declaration of Conformity

Försäkran om överensstämmelse

Samsvarerklæring

Vakuutus yhdenmukaisuudesta

Konformitätserklärung



CLAS OHLSON AB

SE-793 85 INSJÖN, SWEDEN

Declares that this product complies with the requirements of the following directives and standards

Intygar att denna produkt överensstämmer med kraven i följande direktiv och standarder

Bekrefter at dette produktet er i samsvar med følgende direktiver og standarder

Vakuuttaa, että tämä tuote täyttää seuraavien direktiivien ja standardien vaatimukset

Erklärt hiermit, dass dieses Produkt die Anforderungen und Bestimmungen folgender Richtlinien erfüllt

LOG SPLITTER 5T

Cocraft 40-9122 / LS5T

Cocraft 18-3570 / LS5T

**Machinery Directive
2006/42/EC**

EN 60204-1:2006+A1:2009
EN 609-1:1999+A1:03+A2:09

**EMC Directive
2004/108/EC**

EN 55014-1:2006/
+A1:2009/+A2:2011
EN 55014-2:1997/
+A1:2001/+A2:2008
EN 61000-3-2:2006/
+A1:2009/+A2:2009
EN 61000-3-11:2000

**Low Voltage Directive
2006/95/EC**

Henrik Alfredsson
Manager Technique & Quality

Insjön, Sweden, 2016-02-08

Sverige

Kundtjänst tel: 0247/445 00
 fax: 0247/445 09
 e-post: kundservice@clasohlson.se

Internet www.clasohlson.se

Post Clas Ohlson AB, 793 85 INSJÖN

Norge

Kundesenter tlf.: 23 21 40 00
 faks: 23 21 40 80
 e-post: kundesenter@clasohlson.no

Internett www.clasohlson.no

Post Clas Ohlson AS, Postboks 485 Sentrum,
0105 OSLO

Suomi

Asiakaspalvelu puh.: 020 111 2222
 sähköposti: asiakaspalvelu@clasohlson.fi

Internet www.clasohlson.fi

Osoite Clas Ohlson Oy, Maistraatinportti 4 A,
00240 HELSINKI

Great Britain

Customer Service contact number: 020 8247 9300
 e-mail: customerservice@clasohlson.co.uk

Internet www.clasohlson.co.uk

Postal 10 – 13 Market Place
Kingston Upon Thames
Surrey
KT1 1JZ

Deutschland

Kundenservice Unsere Homepage www.clasohlson.de
besuchen und auf Kundenservice klicken.