

18-3573 • 40-9509

Cocraft®

ELECTRIC CHAINSAW

HCI 2400-T

TOOLLESS CHAIN TENSIONER

ELKEDJESÅG ELEKTRISK KJEDESAG KETJUSAHA ELEKTRO-KETTENSÄGE



Important!

Read the entire instruction manual carefully and make sure that you fully understand it before you use the equipment. Keep the manual for future reference.

Viktig information:

Läs hela bruksanvisningen noggrant och försäkra dig om att du har förstått den innan du använder utrustningen. Spara bruksanvisningen för framtida bruk.

Viktig informasjon:

Les disse anvisningene nøye og forsikre deg om at du forstår dem, før du tar produktet i bruk. Ta vare på anvisningene for seinere bruk.

Tärkeää tietoa:

Lue nämä ohjeet huolellisesti ja varmista että olet ymmärtänyt ne, ennen kuin alat käyttää laitetta. Säilytä ohjeet myöhempää tarvetta varten.

Wichtiger Hinweis:

Vor Inbetriebnahme die komplette Bedienungsanleitung sorgfältig durchlesen und aufbewahren.



Art.no

18-3573

40-9509

Model

SF7J101-24-SLN

SF7J101-24-SLN

Ver. 20170216

Original instructions
Bruksanvisning i original
Originalbruksanvisning
Alkuperäinen käyttöohje
Original Bedienungsanleitung

ENGLISH

SVENSKA

NORSK

SUOMI

DEUTSCH

Electric Chainsaw, 2400 W

Art.no 18-3573 Model SF7J101-24-SLN
40-9509 SF7J101-24-SLN

Please read the entire instruction manual before using the product and then save it for future reference. We reserve the right for any errors in text or images and any necessary changes made to technical data. If you have any questions concerning technical problems please contact our Customer Services.

Contents

1. Safety Requirements – Handheld power tools	3
1.1 General Safety Requirements – EN 60745-1	3
1.2 Chainsaw safety warnings	4
1.3 Causes of chainsaw kickback	5
1.4 Operator prevention of kickback.....	5
1.5 Product Safety symbols.....	6
1.6 Safety information	6
2. Description	7
3. Pre-use checks	8
3.1 Fitting the guide bar and saw chain.....	8
3.2 Chain tension	9
3.3 Topping up the chain oil.....	10
3.4 Attaching the extension lead to the chainsaw	10
3.5 Chain lubrication	10
3.6 Guide bar	11
3.7 Kickback guard/chain brake	11
4. Grinding/filing the saw chain	12
5. Starting to use the chainsaw	12
5.1 Safety precautions	12
5.2 Important considerations	13
5.3 Overload warning	13
6. Tips for using the chainsaw	13
7. Remember	13
8. Sawing trees that are under tension or compression	14
9. Tree felling	15
10. De-limbing/Snedding	16
11. Bucking	17
12. Care and cleaning	18
13. Storage	18
14. Responsible disposal	18
15. Troubleshooting	18
16. Technical data	18

Caution! When you are using electric hand tools the included safety instructions should be followed to avoid risk of fire, electric shock, and personal injury.

Always pull the plug out of the wall socket before servicing and adjusting the product.

1. Safety Requirements – Handheld power tools

1.1 General Safety Requirements – EN 60745-1

Caution! Read all the instructions. Failure to adhere to the following instructions may lead to electric shocks, fires and/or serious injury. The term “power tool” in the following text refers to your handheld mains operated or battery operated tool.

SAVE THESE INSTRUCTIONS.

1) Work area

- a) **Keep the work area clean and well illuminated.** Cluttered and poorly lit areas invite accidents.
- b) **Do not use power tools in explosive environments, e.g. near flammable liquids, gases or dust.** Power tools generate sparks that can easily ignite dust or fumes.
- c) **Keep children and other bystanders away from the area where you are using the power tool.** Distractions can cause you to lose concentration and control.

2) Electrical safety

- a) **The power tool’s plug must fit correctly into the wall socket. Never modify the plug in any way. Never use an adaptor plug together with earthed power tools.** Unmodified plugs and suitable wall sockets minimize the risk of electric shocks.
- b) **Avoid physical contact with earthed objects, such as pipes, radiators, ovens or refrigerators.** There is an increased risk of receiving an electrical shock if your body is earthed.
- c) **Do not expose the power tool to rain or other wet conditions.** Water entering a power tool will increase the risk of electric shock.
- d) **Do not abuse the mains lead. Never use the lead to carry the tool or pull the plug from a wall socket. Keep the lead away from heat, oil, sharp edges and moving parts.** Damaged or tangled leads increase the risk of electric shock.
- e) **When using power tools outdoors, use an extension lead that is suitable for this purpose.** The use of an extension lead designed for outdoor use decreases the risk of electric shocks.
- f) **If for some reason you must use a power tool in a wet environment, always connect it to the mains via an earth-fault circuit breaker such as an RCD (residual current device).** Using an RCD significantly reduces the chances of you receiving an electric shock.

3) Personal safety

- a) **Pay attention to your actions and use common sense when using power tools. Never use power tools if you are tired or under the influence of drugs, alcohol or medication.** One moment of inattention while using a power tool may result in serious injury.
- b) **Use protective equipment. Always wear eye protection.** Using protective clothing such as dust masks, non-slip safety shoes, helmets and ear defenders when needed decreases the risk of injury.
- c) **Avoid accidental starts. Make sure that the power switch is set to OFF before plugging the tool into a wall socket.** Never carry a power tool with your finger on the trigger and never connect the power tool to a wall socket when the switch is set to ON, since it may result in injury.
- d) **Remove all service tools/keys before switching on the power tool.** A service tool left on a rotating part of the power tool may result in personal injury.
- e) **Do not overreach. Keep proper footing and balance at all times.** This will allow you to have more control in unexpected situations.
- f) **Wear suitable attire. Do not wear loose-fitting clothing or jewellery. Keep hair, clothes and gloves away from moving parts.** Loose-fitting clothes, jewellery or long hair could potentially become caught in any moving parts.
- g) **If equipment for dust extraction or collection is available, make sure that it is connected and used properly.** Use of dust collection equipment can reduce dust related hazards.

4) Use and maintenance of the power tool

- a) **Do not force the power tool. Use the correct power tool for your application.** The correct power tool will do the job better and safer if used at the rate for which it was designed.
- b) **Never use the power tool if the power switch does not switch the tool on and off properly.** Any power tool that cannot be controlled by the power switch is dangerous and must be repaired.
- c) **Unplug the lead from the wall socket before making any adjustments, changing accessories or storing the power tool.** These precautions reduce the risk of the power tool starting unexpectedly.
- d) **Store any power tools that are not being used out of children's reach. Do not allow people who are unfamiliar with the tool or its functions to operate the tool.** Power tools can be dangerous if they fall into the hands of inexperienced users.
- e) **Maintaining power tools. Check for any incorrect settings, parts that catch, broken parts or anything else which may cause the power tool to malfunction. If something is damaged, have the power tool repaired before use.** Many accidents are caused by poorly maintained power tools.
- f) **Keep tools sharp and clean.** Properly maintained cutting tools with sharp cutting edges are less likely to bind and are easier to control.
- g) **Use the power tool, accessories and similar in accordance with these instructions and in an appropriate way suitable for the type of power tool used, taking into account the working conditions and the work to be performed.** Use of the power tool for a purpose other than that for which it is intended could result in a dangerous situation.

5) Service

- a) **Have your power tool serviced by a qualified repair person using only identical replacement parts.** This guarantees that the safety of the power tool is maintained.

1.2 Chainsaw safety warnings

- **Keep all parts of the body away from the chainsaw when the saw chain is moving. Before starting the chainsaw, make sure that the saw chain is not in contact with anything.** A moment of inattention while operating the chainsaw may cause entanglement of your clothing or body with the saw chain.
- **Always hold the rear handle of the chainsaw in your right hand and the front handle in your left hand.** Holding the chainsaw with a reversed hand configuration increases the risk of personal injury and should never be done.
- **Use protective eyewear and hearing protection. Further protective equipment for head, hands, legs and feet is recommended.** Wearing the correct protective equipment reduces the risk of personal injury from flying debris or accidental contact with the saw chain.
- **Do not operate a chainsaw in a tree.** Operating a chainsaw whilst up in a tree may result in personal injury.
- **Always keep proper footing and operate the chainsaw only when standing on a fixed, secure and level surface.** Slippery or unstable working positions such as ladders can lead to loss of balance and loss of control over the chainsaw.
- **When cutting a limb that is under tension you should always be alert for spring back.** When the tension in the wood fibres is released, the spring-loaded limb may strike the operator and/or throw the chainsaw out of control.
- **Use extreme caution when cutting brush and saplings.** Thin twigs can get caught in the saw chain and be projected towards you or cause you to lose your balance.
- **Always carry the chainsaw by the front handle with the motor switched off and the guide bar pointing away from your body. When transporting or storing the chainsaw, always fit the guide bar cover.** Proper handling of the chainsaw will reduce the likelihood of accidental contact with the moving saw chain.
- **Always follow the instructions regarding lubrication, chain tensioning and changing of accessories.** An incorrectly tensioned or lubricated saw chain can snap or increase the risk of kickback.
- **Always keep the handles dry, clean and free of oil and grease.** Oily and greasy handles are slippery and can cause you to lose control of the chainsaw.
- **Cut wood only. Do not use the chainsaw for any purpose other than that for which it was intended. For example: Never saw plastic, masonry or other building material not made of wood.** Use of the chainsaw for a purpose other than that for which it was intended could result in a hazardous situation.

1.3 Causes of chainsaw kickback

- Kickback may occur when the nose or tip of the guide bar touches an object or when the wood being sawed closes together and pinches the saw chain in the cut.
- In some case tip contact may cause a sudden reverse reaction, kicking the guide bar up and back towards the operator.
- Pinching the saw chain along the top of the guide bar may push the guide bar rapidly back towards the operator.
- Either of these reactions may cause you to lose control of the saw which could result in serious personal injury. Do not rely exclusively upon the safety devices built into your saw. As the user of the chainsaw you are always responsible for taking all possible precautionary measures to prevent accidents.

1.4 Operator prevention of kickback

Kickback is the result of tool misuse and/or incorrect operating procedures or conditions and can be avoided by taking proper precautions as given below:

- **Maintain a firm grip, with thumbs and fingers encircling the chainsaw handles and both hands on the saw. Position your body and arms in such a way that you can resist kickback forces.** The force of a kickback can be controlled by the user if the proper precautions have been taken. Do not let go of the chainsaw.
- **Do not overreach and do not cut above shoulder height.** This helps prevent unintended tip contact and enables better control of the chainsaw in unexpected situations.
- **Only use replacement guide bars and chains of the types specified by the manufacturer.** Incorrect replacement bars and chains may cause chain breakage and/or kickback.
- **Follow the manufacturer's instructions regarding sharpening and maintenance.** Grinding the rakers too much increases the risk of kickback.
- **Hold the power tool by insulated gripping surfaces only, because the saw chain may contact hidden wiring or its own lead.** Saw chains contacting a live wire may make exposed metal parts of the power tool live and could give the operator an electric shock.

1.5 Product Safety symbols

Warning:



Warning.



Read the instruction manual.

Read the instruction manual, follow the safety rules and observe the warnings.



Always use protective goggles/visor.

Risk of flying debris.



Use hearing protection.



Do not expose the power tool to rain or moisture.



Pull out the plug immediately if the extension lead is damaged,

do not touch the lead, only the plug itself.



Sound power level (LWA).

1.6 Safety information

WRONG:



Do not cut using the tip of the guide bar.



Using the nose or tip of the guide bar can cause the bar to kickback suddenly towards the operator.



Under no circumstances is the chainsaw to be operated with one hand as this increases the risk of kickback and loss of control over the saw.

RIGHT:



Always hold the saw in both hands, the right hand on the rear handle and the left hand on the front handle.

2. Description

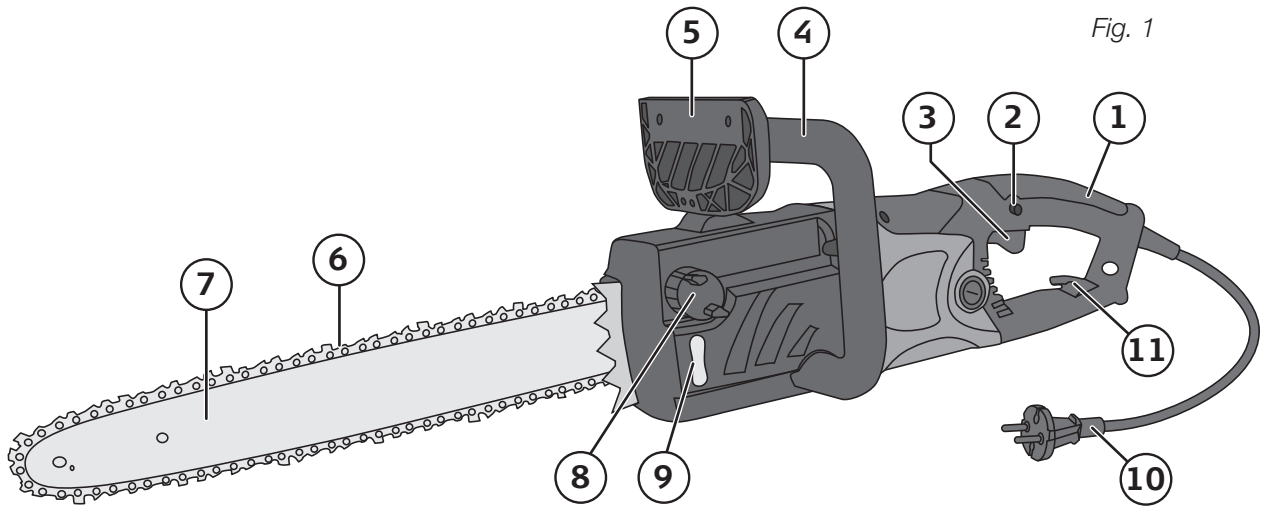


Fig. 1

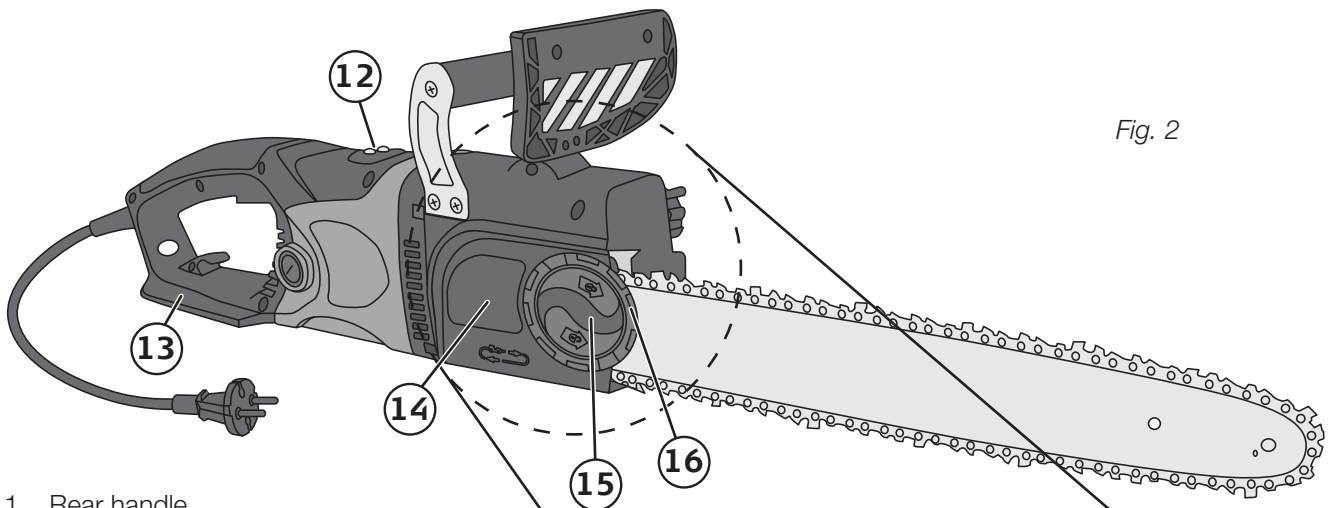
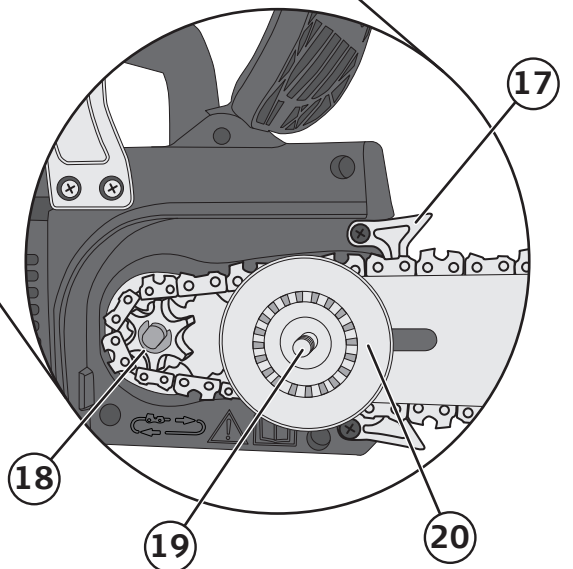


Fig. 2

1. Rear handle
2. Trigger lock-off switch
3. Power trigger
4. Front handle
5. Front hand guard/chain brake lever
6. Saw chain
7. Guide bar
8. Oil filler cap
9. Oil tank/level display
10. Mains lead
11. Cable hanger
12. LED overload warning light
13. Rear hand guard/chain catcher
14. Sprocket cover
15. Centre (locking) knob
16. Chain tensioning knob



3. Pre-use checks

- Check that the power supply marked on the rating plate of the chainsaw corresponds to your local mains power supply.
- Check that the chainsaw is undamaged and safe to use. Make sure that the lubrication system is working and that there is plenty of oil in the tank (see fig.8). Top up the chain oil before it falls to the "MIN" mark. When the oil level is above this mark the lubrication system will work well. Check the chain lubrication as follows: Start the chainsaw and hold the bar roughly 20 cm above a tree stump or other light background. If the lubrication system is working properly, some oil will fly off the chain and show up on the light object. If no traces of oil appear, you should clean the outlet hole (see fig. 11, E) and the upper hole in the guide bar (see fig. 12, B), or contact your retailer or service centre. (Read the 3.3 *Topping up the chain oil* and 3.5 *Chain lubrication* section).
- Make sure that the chain is properly tensioned (read the 3.2 *Chain tension* section). Make sure that the kickback guard/chain brake works properly (read *Resetting the kickback guard/chain brake*).

Note: This electric chainsaw has a soft start feature which means that it takes about 3 seconds to reach full revs.

3.1 Fitting the guide bar and saw chain

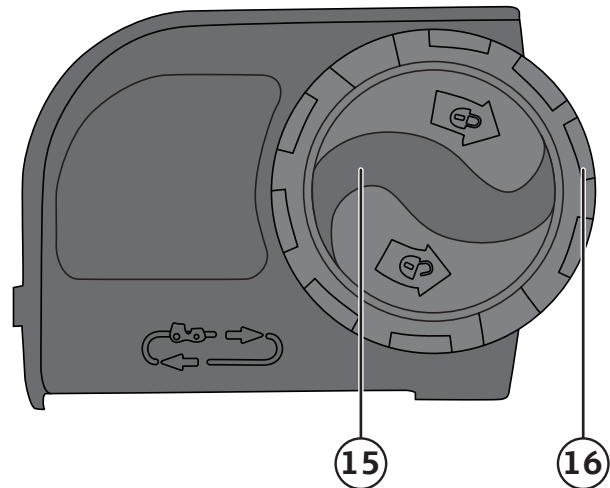
Description

The chain guide bar and chain are not fitted when the saw is sold, the saw has a new type of setting for chain tension and guide bar fastening which consists of two parts:

A. A combined tensioning/locking knob on the drive sprocket cover

The tensioning/locking knob consists of two parts:
A centre knob (15) for locking the guide bar (and for locking the tensioning knob) and an outer knob (16) for tensioning the chain (see fig. 3).

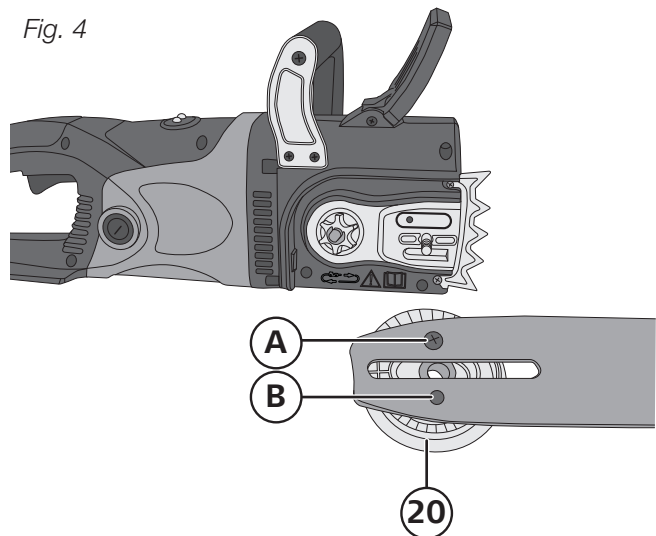
Fig. 3



B. A tensioning wheel for the chain tension, mounted on the guide bar.

The chain tensioner (20) is fixed to the guide bar by a screw (A) through the lower hole and a guide pin in the upper hole (B) of the guide bar (see fig. 4).

Fig. 4



Assembling the guide bar and saw chain

Note: The chainsaw must be unplugged.

1. Turn the centre locking knob (15) anticlockwise and remove the sprocket cover (14).
2. The guide bar has a tensioning wheel (20) fixed to it. Turn the guide bar so that the tensioning wheel is on the outside of the bar. Fit the bar in such a way that the bolt sticks through the hole in the tensioning wheel (see fig. 5).
3. Turn the tensioning wheel anticlockwise as far as it will turn.
4. Turn the saw chain so that the edges of the cutting links on the top of the bar are pointing forwards toward the tip of the bar (the saw chain pulls along the bottom of the bar and pushes along the top of the bar).

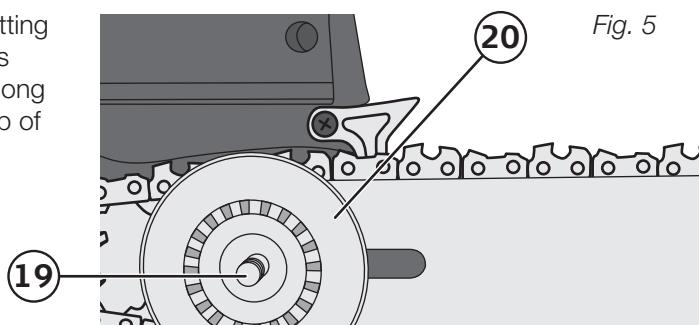


Fig. 5

5. Fit the saw chain so that it passes over the drive sprocket and in the guide track all the way round the guide bar. (See fig. 6)
6. Turn the tensioning wheel clockwise and carefully tension the chain, making sure that it sits properly on the bar and sprocket.
7. Refit the drive sprocket cover (14) by slotting the tab (C) at the back of the cover into the hole (D) in the saw and positioning the cover so that the threading on centre knob (15) lines up with the guide bar bolt (19). Turn the centre knob (15) clockwise so that it threads onto the guide bar bolt (19) and tension the chain by turning the outer knob (16) clockwise. (The centre knob (15) is only for locking the guide bar whereas the outer knob (16) is only for tensioning.)
8. Tensioning the chain: The saw chain should be able to be lifted approximately 5 mm in the middle of the guide bar when the tension is correct, adjust as necessary: Undo the black locking knob (15) a little, adjust the chain tension by turning the outer knob (16), then tighten the black locking knob to keep the set tension.

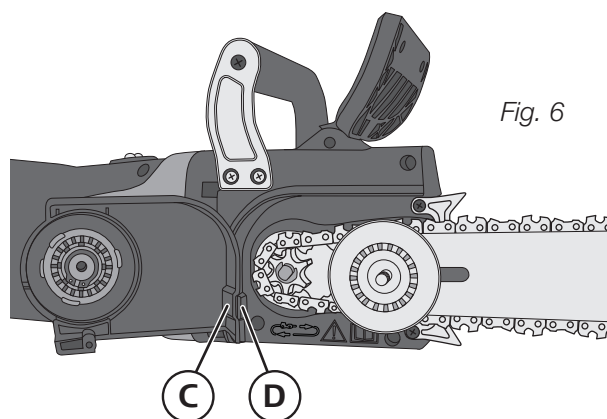


Fig. 6

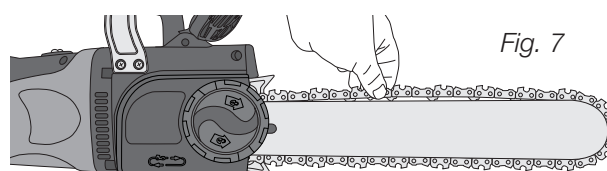


Fig. 7

3.2 Chain tension

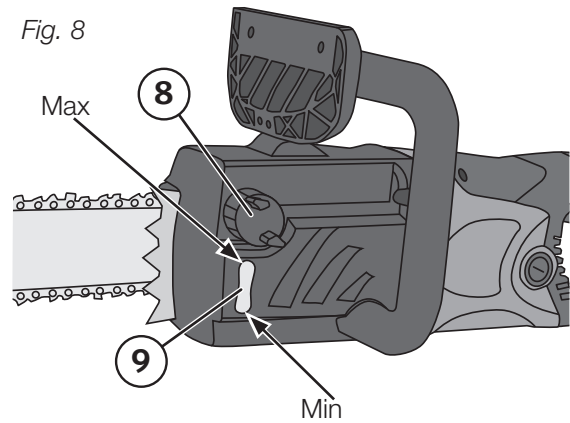
Note: Always pull the plug out of the wall socket before servicing and adjusting the chainsaw. Wear protective gloves.

Adjusting the chain tension

1. First check the chain tension: The saw chain should be able to be lifted approximately 5 mm in the middle of the guide bar when the tension is correct.
2. Adjust it if necessary: Undo the black locking knob (15) a little, adjust the chain tension by turning the outer knob (16) (see fig. 3).
3. Tighten the black locking knob to keep the set tension. Always check that the chain is sitting properly on the sprocket and in the guide track all the way around the bar before tightening the locking knob.

3.3 Topping up the chain oil

Wipe the oil filler cap (8) before taking it off to prevent dirt from falling into the tank. Unscrew the cap and top up with chain lubrication oil. The oil level in the tank (9) can be seen by looking through the glass under the filling hole. Fill the tank to the top and screw the cap on tightly. Wipe off any spilt oil.

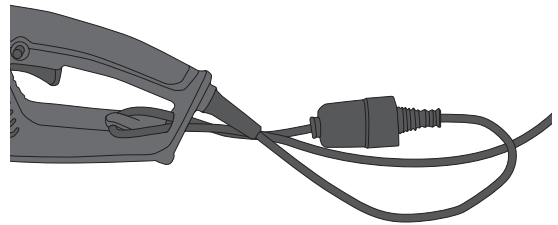


3.4 Attaching the extension lead to the chainsaw

Use only extension leads intended for outdoor use and which are capable of carrying sufficient current (core area of at least 1.5 mm², max 75 m long).

Fix the extension lead to the rear handle as shown in the figure. If you use an extension lead longer than 30 m, you might get some voltage drop and notice that the saw loses power.

Fig. 9

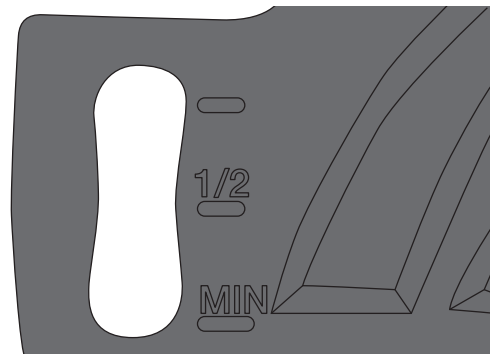


3.5 Chain lubrication

The saw chain and guide bar must be lubricated constantly when the saw is running to prevent excessive wear. The chainsaw lubricates itself automatically. Never use the chainsaw if the lubrication system is not working, otherwise both the chain and the guide bar will soon wear out. It is therefore important that you check the lubrication and oil level at every opportunity. (Fig. 10) Never use the chainsaw if the oil level is below "MIN".

- **Min:** When the oil level falls below "MIN" or 5 mm below the bottom of the "window" in the oil tank (9), top up the oil.
- **Max:** Fill the oil tank up to the top of the "window".

Fig. 10



Checking the chain lubrication

Start the chainsaw and hold the bar roughly 20 cm above a tree stump or other light background. If the lubrication system is working properly, some oil will fly off the chain and show up on the light object. If no traces of oil appear, you should clean the outlet hole (fig. 11, E) and the upper hole in the guide bar (fig. 12, B), or contact your retailer or service centre. Be careful not to let the saw chain come in contact with the ground.

Chain oil

The useful life of the guide bar and saw chain depend on which chain oil is used. Only use chain oil, never waste oil. Use environmentally friendly oil and keep it in a sealed container specially reserved for chain oil.

Fig. 11

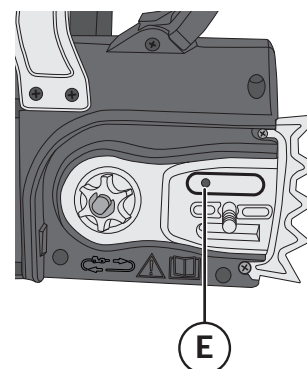
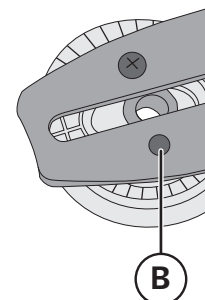


Fig. 12



3.6 Guide bar

The guide bar (7) wears out more at the tip and along the bottom edge, turn the bar over when you remove it to sharpen the chain so that it wears evenly on both edges. File off any unevenness in the bar using a flat file.

Drive sprocket

The sprocket (18) also becomes worn, check it regularly for signs of wear or deformity and change it if necessary. A worn sprocket will wear out a new saw chain more quickly. Contact your retailer or service centre for replacement sprockets.

Chain guard

Put the blade cover on the blade as soon as you have finished sawing and whenever storing or transporting the saw.

3.7 Kickback guard/chain brake

In the event of kickback, the chain brake will be activated by the front handle guard (5) being pushed forward by your hand. The chain will stop immediately.

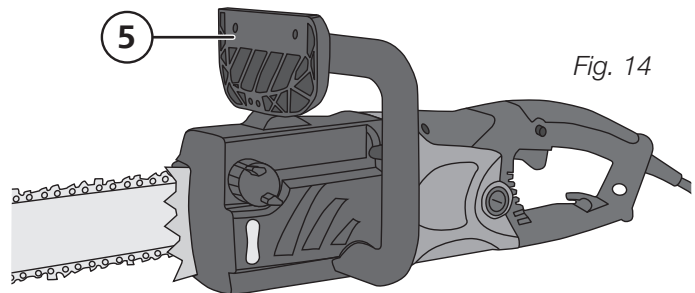


Fig. 14

Testing the kickback guard

Warning: Always check the chain brake before using the chainsaw.

Hold the chainsaw firmly in both hands, start it and push the kickback guard forward (towards "0") with your wrist. The saw chain should stop immediately.

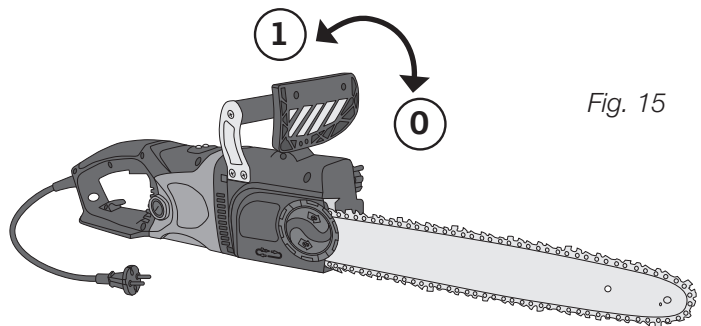


Fig. 15

Resetting the kickback guard/chain brake

The chain brake must be reset before the saw can be started again: Switch off the chainsaw (release the power switch), push the kickback guard (5) back until it returns to the upright position (fig. 15). The kickback guard is now reset.

4. Grinding/filing the saw chain

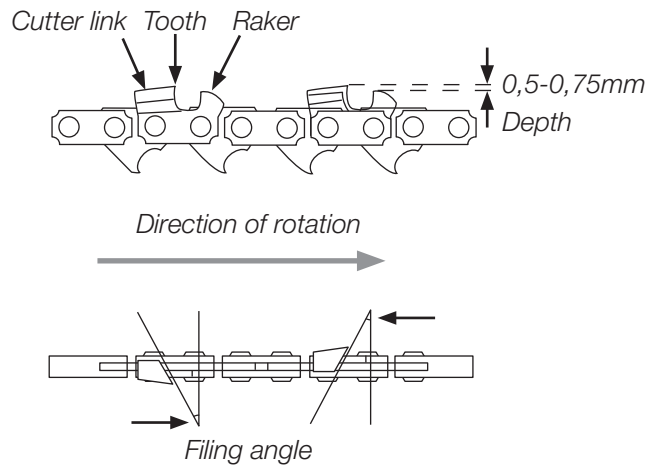
When the saw chain becomes blunt, it no longer cuts safely and efficiently and must be replaced or sharpened.

Note: It is easiest to file the chain with the help of a file gauge which you can buy from a trade supplies store. The file gauge will come with instructions for its use.

File the chain as follows:

- Unplug the chainsaw from the wall socket.
- Wear gloves to protect your hands.
- Check the chain tension.
- Use a 4 mm diameter round file.
- File horizontally across the guide bar at an angle of 30° to the chain's direction of rotation.
- File each tooth outwards/forwards in the chain's direction of rotation.
- File each tooth with the same number of strokes, so that the chain is evenly filed.
- Check the clearance of the rakers (depth gauge) every 5th time you sharpen the chain. If the rakers need filing, use a flat file. It is important that their original shape is not altered.
- Measure the height (depth setting) of the rakers after filing using a guide that can be bought at a trade supplies store.

Fig. 16



5. Starting to use the chainsaw

Note: Always wear safety glasses/visor, ear muffs, safety gloves and protective clothing which is specially designed for chain saw work.

Use only extension leads intended for outdoor use and which have sufficient core area (at least 1.5 mm², max 75 m long). The chainsaw is equipped with a safety switch: The power trigger and lock-off switch on the rear handle (1) must both be pressed in simultaneously in order for the chainsaw to start. The chainsaw must be held firmly in both hands when it is started.

If the chainsaw does not start, reset the kickback guard/chain brake: Return the kickback guard (5) to the upright position. Refer to 3.7 Kickback guard/chain brake, Resetting the kickback guard/chain brake (fig. 15). The chainsaw starts slowly (soft start) and reaches maximum speed after a couple of seconds.

Switching the chainsaw off

Release the power trigger (3) and the lock-off switch (2) and the chainsaw will switch off.

After finishing work

Always clean the saw chain and guide bar then put the cover on the guide bar.

5.1 Safety precautions

Note: Never use the chainsaw in the rain or a damp environment.

Note: Pull out the plug immediately if the extension lead is damaged, do not touch the lead, only the plug itself. Never use a damaged extension lead.

Check that the chainsaw is undamaged. Make sure that the chainsaw's guards and safety devices are in working order and that nothing is damaged before the saw is used. Make sure that all moving parts can move freely and work properly. Every part of the chainsaw must be assembled correctly and work properly in order for the chainsaw to be safe to use. Damaged safety devices must be repaired/replaced by a qualified service technician unless otherwise stated in the instruction manual.

5.2 Important considerations

Kickback

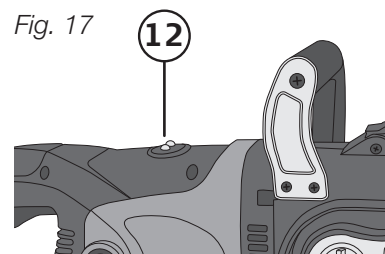
- Kickback is when the guide bar is thrown upward/backward with force and can occur when the tip of the guide bar comes into contact with an object or obstruction.
- Prevent accidents by never using the tip of the guide bar as this can cause the bar to kickback suddenly and violently towards the user.
- Always wear safety glasses/visor, ear muffs, safety gloves, protective clothing and shoes specially designed for chainsaw work.
- Make sure that the wood being cut is held in place, secure it with some kind of fastener if necessary (especially round straight logs which can start to roll), this also makes it easier to use the chainsaw safely with both hands.
- Kickbacks often cause the saw chain to loosen and become blunt. A blunt chain also increases the likelihood of kickback. Never work above shoulder height.
- It is very important that the chainsaw is sharpened regularly and correctly. An incorrectly ground/filed chain is unpleasant to work with and can be dangerous!

5.3 Overload warning

This chainsaw is fitted with an overload indicator (12). The saw has two indicator lights: A green light comes on when the saw is switched on and shines so long as the saw is operated under normal load. The green light goes out and a red indicator light (on the left) comes on if the saw is overloaded.

The indicator light only warns you that the saw is being overloaded; the saw does not immediately shut-off if it is overloaded. If you continue to saw for a long time after the red light has come on, the saw could become damaged or the fuse might blow.

Reduce the load on the saw by applying less pressure on the wood until the red light goes out.



6. Tips for using the chainsaw

Chopping firewood

Safety rules:

- Make sure that the log is secure and not able to slide/roll around during sawing. Try to fasten small logs before starting to cut them.
- Only use the chainsaw for cutting wood. Make sure that no stones, nails or other objects that can be projected or damage the chain are close to the chainsaw during use. Avoid letting the chainsaw come into contact with the ground, barbed wire fences, etc, during operation.
- Make sure that the tip of the guide bar does not come into contact with small branches, chop one branch/twig at a time. Make sure you have a steady stance, use safety footwear with non-slip soles.
- The chainsaw must always be switched off when you move around. Do not keep your hand on the power trigger so that the saw can start if you trip over something.

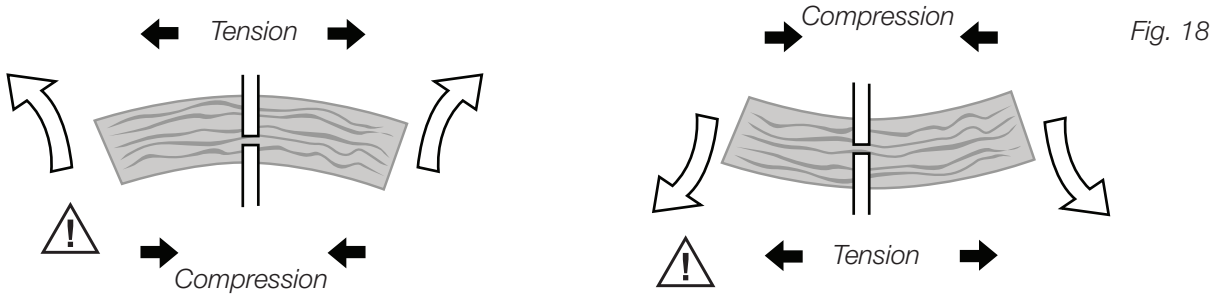
7. Remember

- The chainsaw must always be started first and running at full speed before the saw chain is pressed against the wood.
- Start the saw by pressing in the lock-off switch and squeezing the trigger on the rear handle (1).
- Place the lower part of the spiked bumper (17) against the wood and begin sawing. Pull the chainsaw backwards a little and move it so that the wood is higher up on the spiked bumper and continue sawing.
- Be careful when sawing wood that is split or cracked, splinters might be ejected.

8. Sawing trees that are under tension or compression

Warning: Be careful when cutting branches that are under tension or compression.

Size up the job and work out how the tree or branch is bowed before starting to saw. If you saw into wood that is under compression, the saw could get stuck; if you saw into wood that is under tension, the wood could split and spring back unexpectedly.

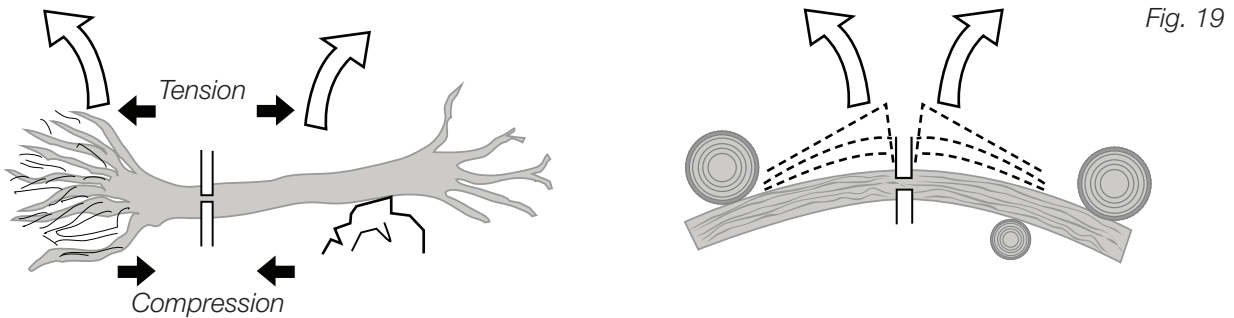


The top of the wood is under tension and the bottom of the wood is under compression.

Warning: The wood will spring upwards when it is cut.

The bottom of the wood is under tension and the top of the wood is under compression.

Warning: The wood will collapse when it is cut.



The top of the wood is under tension and the bottom of the wood is under compression.

Warning: The tree trunk will spring up with force and twist when cut and the roots can tip forwards or backwards. Use extreme caution in this situation!

Both sides of the wood are under stress.

Warning: The tree trunk can move sideways when cut. Use extreme caution in this situation!

9. Tree felling

This chainsaw is not intended for felling, but mostly for small jobs such as removing branches and sawing logs. However, it can be used on exception for felling small trees. **Ask someone who knows how to use a chainsaw for advice if you are in the least unsure of how to use the chainsaw.**

Protective equipment should always be used for forestry work: Helmet with ear defenders and visor, chainsaw trousers or leggings, chainsaw boots or shoes with non-slip soles and toe caps and of course a first aid kit. Also use work clothes in a visible colour that stands out.

- Small trees can often be felled with one cut almost entirely through the whole trunk and pushed in the correct direction by hand or by a shoulder. (Do not cut completely through, save a little of the trunk to be used as a hinge).
- Larger trees require directional cuts. Directional cuts determine the direction of the fall.

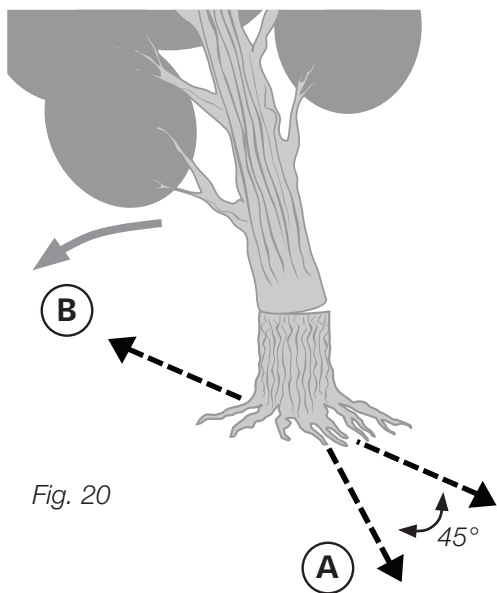


Fig. 20

Warning: Always make sure that you have an escape route ready. If needed take away bushes and branches that are in the way. The best escape route (A) is diagonally to the rear of the expected line of fall.

Warning: If the terrain is sloped or uneven, the chainsaw operator should keep on the uphill side of the tree, as the tree is likely to roll or slide downhill after it is felled.

Note: The direction of fall (B) is determined by the notch cut. Before felling, consider the natural lean of the tree, the location of larger branches and the wind direction to judge which way the tree will fall.

Warning: Never fell a tree alone if there is a risk of it falling onto something which can be damaged such as a house or fence. Get help from a professional. Never fell a tree close to a power line or telephone line. Check that there are no onlookers or pets close by before you begin cutting. Look up often and check that no one is approaching the danger area.

Normal tree felling consists of two cutting phases, the notching undercut (C) and the felling back cut (D).

Start with the upper notching cut (C) on the side of the tree facing the direction of fall (E). Then make the lower, horizontal notching cut so that it meets the upper notching cut (do not cut too far). The notching undercut should be wide enough to steer the tree during as much of the fall as possible.

Warning: Never walk in front of a tree in which you have made a notching undercut.

Make the felling back cut (D) from the other side of the tree, parallel to but 3–5 cm higher than the horizontal notching cut.

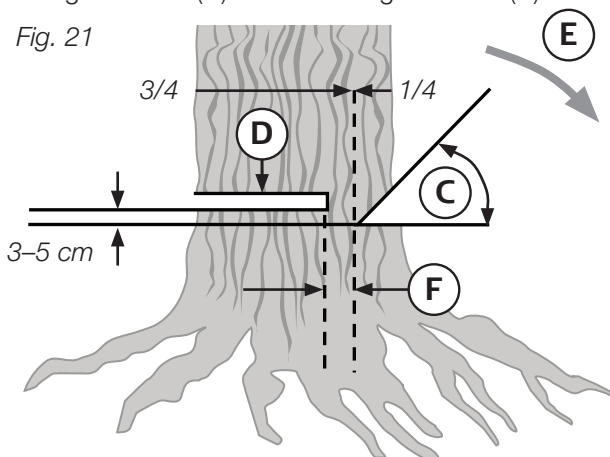


Fig. 21

NEVER cut completely through the remaining trunk. ALWAYS leave a hinge (F). It is the hinge that steers the tree during the fall. The hinge wood keeps the tree from twisting and falling in the wrong direction. Do not cut through the hinge. As the saw chain gets close to the hinge, a felling wedge should be inserted into the felling back cut. If the entire felling cut is made before a felling wedge has been placed in the saw cut, there is a risk of the tree rocking backwards and pinching the saw chain. Before felling the tree by driving in the felling wedge, make sure that there are no bystanders or pets in the fall area.

Warning: Before making the final cut, check again that there are no onlookers, pets or other obstacles in the vicinity.

1. Use a felling wedge of plastic or wood (A) to prevent the guide bar (B) from being clamped down upon in the cut.

Fig. 23

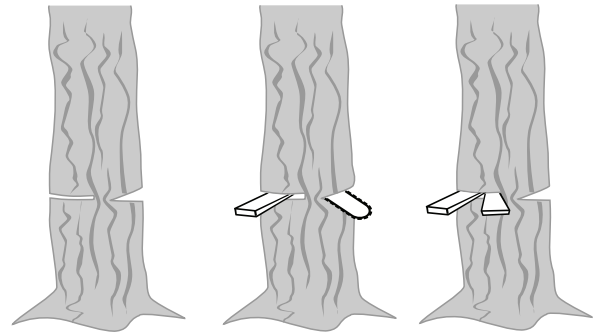
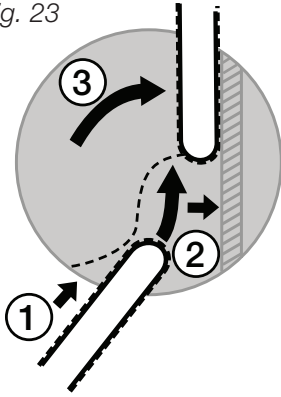


Fig. 22

2. If the diameter of the tree is larger than the length of the guide bar you must make two cuts.

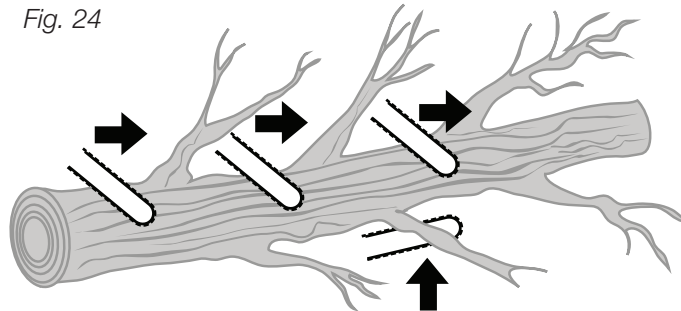
Warning: When the felling cut (D) has been made so deep that only the hinge (F) is left, the tree can begin to fall, otherwise you must use a felling wedge or crowbar to help.

When the tree begins to fall, remove the chainsaw from the cut and switch off the motor. Retreat diagonally backwards and to the side along your planned escape route and keep your eye on the tree while it is falling (fig. 20).

10. De-limbing/Snedding

De-limbing (or snedding) means cutting away the branches and shoots of a fallen tree. Start by cutting the higher branches on the tree. Stand to one side of the tree and de-limb them from the other side of the trunk/stem (the trunk will serve as protection between you and the chainsaw). Use caution when cutting branches which are under tension. They must be cut from the correct side; otherwise the guide bar will get stuck.

Fig. 24



Warning: Never stand on the stem of a tree while de-limbing (snedding) it.

11. Bucking

Bucking is cutting fallen tree stems into lengths. Make sure that you are standing steady with good balance. If the ground is sloped you should stand uphill of the tree stem when cutting. The stem of the tree should preferably be chocked up on something so that it is not lying directly on the ground. This helps to prevent the saw chain from cutting into the ground and blunting. If the stem is supported at both ends, you must begin by cutting the stem in half at the middle. Start by cutting half the way through the stem from the upper side, then cut up towards this cut from the underside of the stem (to avoid pinching). Be careful not to let the saw chain come in contact with the ground.

1. A tree stem supported along the entire length:
Cut from the top first, then roll the stem over and make another cut from the top which meets the first cut (fig. 25).
2. A tree stem supported at one end (such as a log lying in a saw horse): Cut 1/3 of the way through the stem from the underside first (to avoid splintering). Then make a cut from above which meets the first cut (to avoid pinching).
3. A tree stem supported at both ends: First cut 1/3 of the way through the stem from the upper side (to avoid splitting). Then make a second cut from underneath to meet the first cut (fig. 26).

Note: Whenever possible the stem should be supported and raised off the ground, preferably in a saw horse. If this is not possible, the stem should be supported on limbs, logs or chocks. Make sure that the log is secure and not able to slide/roll around while it is being cut.

Fig. 25

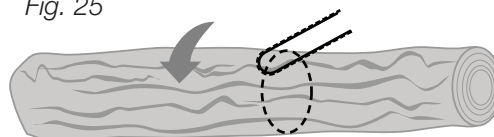
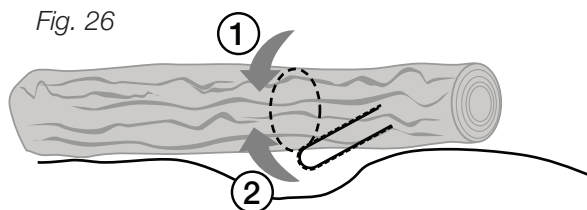
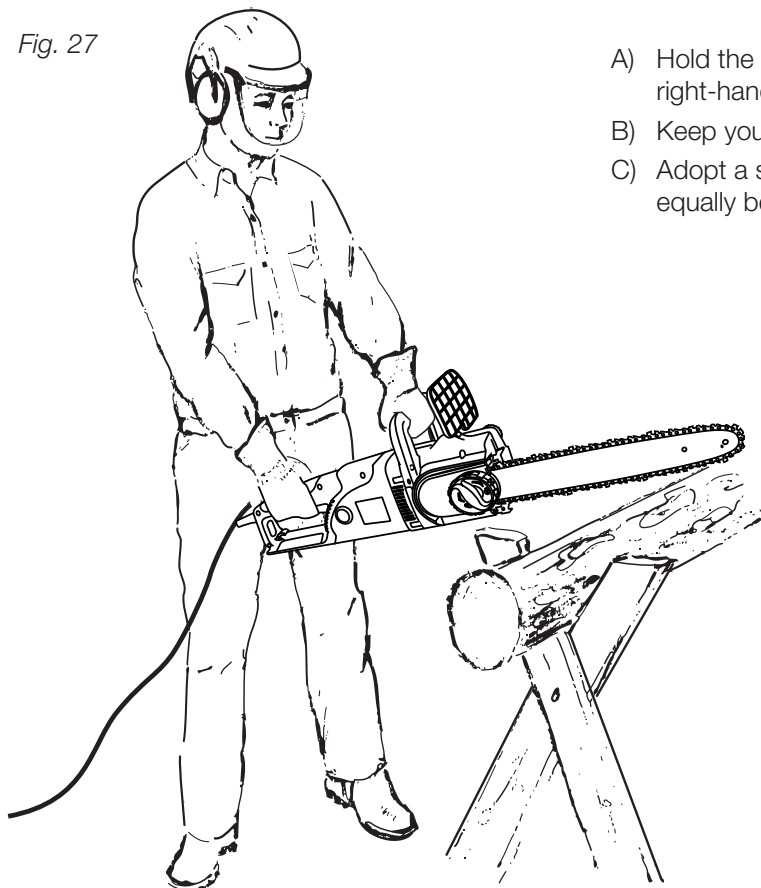


Fig. 26



Bucking with the help of a saw horse

Fig. 27



- A) Hold the chainsaw firmly with both hands on your right-hand side while cutting.
- B) Keep your left arm as straight as possible.
- C) Adopt a steady stance with your weight divided equally between both feet.

12. Care and cleaning

Note: Always pull the plug out of the wall socket before servicing and adjusting the chainsaw.

Always keep the ventilation openings of the motor free from dust and debris. Only those maintenance operations mentioned in this manual may be performed at home, all other repairs and adjustments must only be performed by a service technician. This product must not be altered or used in any other way than mentioned in this manual, otherwise the chainsaw will not be safe to use.

13. Storage

Store the chainsaw on a dry, well-ventilated and level surface which is locked away or out of children's reach when not in use.

14. Responsible disposal

This symbol indicates that this product should not be disposed of with general household waste. This applies throughout the entire EU. In order to prevent any harm to the environment or health hazards caused by incorrect waste disposal, the product must be handed in for recycling so that the material can be disposed of in a responsible manner. When recycling your product, take it to your local collection facility or contact the place of purchase. They will ensure that the product is disposed of in an environmentally sound manner.



15. Troubleshooting

Error	Cause	Solution
The motor will not start.	No power.	Check plug, socket and lead/cable.
		Damaged electrical cable: replace it, never use a damaged cable.
		Damaged switches must be changed by a service technician.
	Kickback guard/chain brake triggered.	Refer to <i>Resetting the kickback guard/chain brake</i> (fig. 15).
	Worn brushes.	Have a service technician change the brushes.
The chain doesn't move.	Kickback guard/chain brake triggered.	Refer to <i>Resetting the kickback guard/chain brake</i> (fig. 15).
Poor performance.	Incorrectly fitted saw chain.	Saw chain on backwards, check the direction.
	Blunt saw chain.	Sharpen the saw chain.
	Chain tension	Check the saw chain tension.
Poor performance - chain keeps coming off.	Chain tension.	Check the saw chain tension.
Saw chain gets hot.	Chain lubrication.	Check the oil level.
		Check the chain lubrication.

16. Technical data

Wattage	2400 W
Rated voltage	230 V, 50 Hz
Chain speed	14 m/s
Max cutting length	350 mm
Weight	4.7 kg (without guide bar and chain)

Sound levels	LpA = 93 dB(A), KpA = 3 dB(A) LwA = 106 dB(A), KwA = 3 dB(A)
Vibration level	7.5 m/s ² , K: 1.5 m/s ²
Oil tank	110 ml
Saw chain	3/8", 52-link, 0.050"
Guide bar	14" (35 cm)

Elkedjesåg 2400 W

Art.nr 18-3573 Modell SF7J101-24-SLN
40-9509 SF7J101-24-SLN

Läs igenom hela bruksanvisningen före användning och spara den sedan för framtida bruk.
Vi reserverar oss för ev. text- och bildfel samt ändringar av tekniska data.
Vid tekniska problem eller andra frågor, kontakta vår kundtjänst.

Innehållsförteckning

1. Säkerhetsföreskrifter – elektriska handverktyg	20
1.1 Generella säkerhetsföreskrifter – EN 60745-1	20
1.2 Varningstext för kedjesåg	21
1.3 Orsaker till kast med kedjesågen	22
1.4 Kastförebyggande åtgärder av användaren	22
1.5 Produktmärkning med säkerhetssymboler på maskinen	23
1.6 Säkerhetsinformation	23
2. Beskrivning	24
3. Förberedelser före start	25
3.1 Montering av svärd och sågkedja	25
3.2 Kedjespänning	26
3.3 Fyll på kedjeolja	27
3.4 Fixera skarvsladden i kedjesågen	27
3.5 Kedjesmörjning	27
3.6 Sågsvärd	28
3.7 Kastskydd/kedjebroms	28
4. Slipning/filning av sågkedjan	29
5. Börja använda kedjesågen	29
5.1 Skyddsåtgärder för kedjesåg	29
5.2 Tänk på detta vid arbete med kedjesågen	30
5.3 Indikering för överbelastning	30
6. Tips för användning av kedjesågen	30
7. Kom ihåg	30
8. Kapning av träd som ligger i spänn	31
9. Trädfällning	32
10. Kvistning	33
11. Kapning	34
12. Underhåll och rengöring	35
13. Förvaring	35
14. Avfallshantering	35
15. Felsökning	35
16. Tekniska data	35

Varning! När du använder elektriska handverktyg ska alltid följande generella säkerhetsregler följas, för att undvika brandfara, elektrisk stöt och personskada.

Dra alltid ut nätsladdens stickpropp ur eluttaget före service och justering av produkten!

1. Säkerhetsföreskrifter – elektriska handverktyg

1.1 Generella säkerhetsföreskrifter – EN 60745-1

Varning! Läs alla instruktioner. Om nedanstående instruktioner inte följs kan detta leda till elektrisk stöt, brand eller allvarlig skada. Termen "elektriskt handverktyg" i varningstexten nedan refererar till ditt nätanslutna eller batteridrivna handverktyg.

SPARA DESSA INSTRUKTIONER.

1) Arbetsutrymmet

- a) **Håll arbetsutrymmet rent och väl upplyst.** Belamrade och mörka utrymmen inbjuder till olyckor.
- b) **Använd inte elektriska handverktyg i explosiva miljöer, som i närheten av lättantändliga vätskor, gaser eller damm.** Elektriska handverktyg genererar gnistor som kan antända damm eller ångor.
- c) **Håll undan barn och åskådare medan du använder det elektriska handverktyget.** Störningsmoment kan göra att du tappar kontrollen över verktyget.

2) Elektrisk säkerhet

- a) **Det elektriska handverktygets stickpropp måste passa i vägguttaget. Modifiera aldrig stickproppen på något vis. Använd aldrig adapter tillsammans med jordade elektriska handverktyg.** Omodifierade stickproppar och passande vägguttag minskar risken för elektrisk stöt.
- b) **Undvik kroppskontakt med jordade föremål, som rör, element, kökspis eller kylskåp.** Det innebär ökad risk för elektrisk stöt om din kropp är jordad.
- c) **Utsätt inte det elektriska handverktyget för regn eller våta förhållanden.** Om vatten tränger in i ett elektriskt handverktyg ökar det risken för elektrisk stöt.
- d) **Misshandla inte nätsladden. Använd aldrig nätsladden för att bära, dra eller rycka stickproppen ur vägguttaget. Håll undan nätsladden från värme, olja, vassa kanter och rörliga delar.** Skadade eller trassliga nätsladdar ökar risken för elektrisk stöt.
- e) **När du använder ett elektriskt handverktyg utomhus, använd en skarvsladd anpassad för detta ändamål.** Användning av en skarvsladd för utomhusbruk minskar risken för elektrisk stöt.
- f) **Om du måste använda ett elektriskt handverktyg på en fuktig plats, anslut verktyget till elnätet via en jordfelsbrytare.** Användning av jordfelsbrytare minskar risken för elektrisk stöt.

3) Personlig säkerhet

- a) **Var uppmärksam på vad du gör och bruka sunt förnuft när du använder ett elektriskt handverktyg. Använd inte ett elektriskt handverktyg om du är trött eller påverkad av droger, alkohol eller medicinering.** Ett ögonblicks uppmärksamhet när du använder ett elektriskt handverktyg kan resultera i allvarlig personskada.
- b) **Använd skyddsutrustning. Bär alltid skyddsglasögon.** Användning av skyddsutrustning som andningsskydd, halksäkra skyddsskor, hjälm och hörselskydd vid behov minskar risken för personskada.
- c) **Undvik oavsiktlig start. Se till att strömbrytaren är i läge "OFF" innan du ansluter stickproppen till vägguttaget.** Att bära ett elektriskt handverktyg med ett finger på strömbrytaren/avtryckaren eller att ansluta ett elektriskt handverktyg till elnätet när strömbrytaren är i läge "ON" inbjuder till olyckor.
- d) **Ta bort alla serviceverktyg/nycklar innan du slår på det elektriska handverktyget.** Ett kvarglömt serviceverktyg på en roterande del av det elektriska handverktyget kan resultera i personskada.
- e) **Sträck dig inte för långt. Se till att du står stadigt med god balans hela tiden.** Detta möjliggör bättre kontroll i oväntade situationer.

- f) **Bär lämplig klädsel. Bär inte löst sittande kläder eller smycken. Håll hår, kläder och handskar undan från rörliga delar.** Lösa kläder, smycken eller långt hår kan fastna i rörliga delar.
- g) **Om utrustning för utsugning och uppsamling av damm finns tillgänglig, se till att denna är ansluten och används ordentligt.** Användning av dessa hjälpmedel kan minska dammrelaterade faror.

4) Användning och underhåll av det elektriska handverktyget

- a) **Pressa inte det elektriska handverktyget. Använd ett elektriskt handverktyg som är avsett för det arbetsmoment du utför.** Korrekt elektriskt handverktyg gör jobbet bättre och säkrare med avsedd matningshastighet.
- b) **Använd inte det elektriska handverktyget om strömbrytaren inte slår på och stänger av verktyget.** Alla elektriska handverktyg som inte kan kontrolleras med strömbrytaren är farliga och måste repareras.
- c) **Ta stickproppen ur vägguttaget innan du utför några justeringar, byter tillbehör eller lägger undan det elektriska handverktyget för förvaring.** Dessa åtgärder i förebyggande syfte minskar risken för att starta det elektriska handverktyget oavsiktligt.
- d) **Förvara elektriska handverktyg som inte används utom räckhåll för barn och låt inte personer som inte är förtrogna med det elektriska handverktyget eller dessa instruktioner använda det.** Elektriska handverktyg är farliga om de kommer i händerna på ovana användare.
- e) **Underhåll elektriska handverktyg. Kontrollera om något är felinställt, om rörliga delar kärvar, om delar har gått sönder eller något annat som kan påverka funktionen av det elektriska handverktyget. Om något är skadat måste det repareras före användning.** Många olyckor beror på dåligt underhållna elektriska handverktyg.
- f) **Håll verktygen vassa och rena.** Ordentligt underhållna skärverktyg med vassa eggår är mindre benägna att kärva och lättare att kontrollera.
- g) **Använd det elektriska handverktyget, tillbehör och liknande enligt instruktionerna och på det sätt som är ämnat för just den typen av elektriskt handverktyg, och ta även hänsyn till arbetsförhållandena och den typ av arbete som ska utföras.** Användning av det elektriska handverktyget för andra arbeten än vad det är ämnat för kan resultera i en farlig situation.

5) Service

- a) **Låt behörig personal utföra service och reparationer, och endast med originalreservdelar.** Detta garanterar att säkerheten hos det elektriska handverktyget behålls.

1.2 Varningstext för kedjesåg

- **Håll undan alla kroppsdelar från kedjesågen när kedjan roterar. Se till innan du startar kedjesågen att sågkedjan inte är i kontakt med något.** Ett ögonblicks ouppmärksamhet när du använder kedjesågen kan leda till att du fastnar i sågkedjan med en kroppsdel eller med dina kläder.
- **Håll alltid i kedjesågens bakre handtag med din högra hand och håll i det främre handtaget med vänster hand.** Om du håller i kedjesågens handtag med fel hand ökar risken för personskada, och det ska därför inte göras.
- **Använd skyddsglasögon och hörselskydd. Dessutom rekommenderas användning av personlig skyddsutrustning för huvud, händer, ben och fötter.** Rätt skyddsutrustning minskar risken för personskada på grund av flygande föremål eller oavsiktlig kontakt med sågkedjan.
- **Använd inte kedjesågen uppe i ett träd.** Användning av kedjesåg uppe i ett träd kan leda till personskada.
- **Se till att stå med bra balans och använd endast kedjesågen när du står på en plan, säker plats som inte lutar.** Hala eller instabila arbetspositioner som t.ex. att stå på en stege kan leda till att du tappar balansen eller förlorar kontrollen över kedjesågen.
- **Vid kapning av en stam eller grov kvist som ligger i spänn skall du vara beredd på att den kan fjädra tillbaka.** När spänningen släpper i trädets fibrer kan den del som ligger i spänn slå till användaren eller kedjesågen, så att användaren tappar kontrollen.
- **Var mycket försiktig när du sågar av buskar och skott.** De tunna kvistarna kan fastna i sågkedjan och kastas emot dig eller få dig att tappa balansen.

- **Bär alltid kedjesågen i det främre handtaget med avstängd motor och svärdet vänt bort från kroppen. Vid transport och förvaring av kedjesågen ska svärdsskyddet alltid vara monterat.** Rätt hantering av kedjesågen minskar sannolikheten för oönskad kontakt med den roterande sågkedjan.
- **Följ alltid instruktionerna för smörjning, kedjespänning och byte av tillbehör.** Felaktigt spänd eller smord sågkedja kan brista eller öka risken för kast med motorsågen.
- **Håll alltid handtagen torra, rena och fria från olja och fett.** Feta och oljiga handtag är hala och kan bidra till att du tappar kontrollen över kedjesågen.
- **Såga endast trä. Använd inte kedjesågen för andra ändamål än vad den är avsedd för. Till exempel: såga aldrig i plast, tegel eller andra byggmaterial som inte är tillverkade av trä.** Användning av kedjesågen till andra ändamål än avsett kan leda till riskfyllda situationer.

1.3 Orsaker till kast med kedjesågen

- Kast kan inträffa när svärdet eller svärdsspetsen vidrör ett objekt, eller när trästycket trycks ihop och nyper fast sågkedjan i sågspåret.
- Kontakt med svärdsspetsen kan i vissa fall orsaka en plötslig reaktion där svärdet kastas uppåt och bakåt mot användaren.
- Om sågkedjan nyps fast på ovansidan av svärdet så kan svärdet snabbt tryckas bakåt mot användaren.
- Alla dessa reaktioner kan göra att du tappar kontrollen över sågen vilket kan resultera i allvarlig personskada. Lita inte uteslutande på sågens inbyggda säkerhetsfunktioner. Som användare av kedjesåg ska du alltid vidta alla åtgärder som kan förhindra olyckor och skador under arbetet med kedjesågen.

1.4 Kastförebyggande åtgärder av användaren

Kast med kedjesågen är ett resultat av felanvändning och kan undvikas genom att du vidtar de försiktighetsåtgärder som anges nedan:

- **Håll kedjesågens handtag i ett stadigt grepp med båda händerna, se till att tummar och fingrar omsluter handtagen. Håll kroppen och armarna i en bra position så att du kan stå emot krafterna i ett kast på bästa sätt.** Kraften hos ett kast kan kontrolleras av användaren, om korrekta försiktighetsåtgärder har vidtagits. Släpp inte handtagen.
- **Sträck dig inte och arbeta aldrig över axelhöjd.** Det hjälper till att undvika oavsiktlig kontakt med svärdsspetsen och ger en bättre kontroll över kedjesågen i oväntade situationer.
- **Använd endast utbytessvärd och -kedjor av samma typ som anges av tillverkaren i kedjesågens specifikationer.** Användning av felaktiga utbytessvärd och -kedjor kan medföra att kedjan går av eller kan leda till kast med kedjesågen.
- **Följ tillverkarens instruktioner för slipning och underhåll.** Om rymmarna slipas för mycket kan det medföra ökad risk för kast.
- **Håll endast i kedjesågen på dess isolerade greppytter eftersom sågkedjan kan komma i kontakt med dolda ledningar eller den egna sladden.** Skulle sågkedjan komma i kontakt med en spänningsförande ledning kan metallytor på kedjesågen bli spänningsförande och ge operatören en elektrisk chock.

1.5 Produktmärkning med säkerhetssymboler på maskinen

Varning!



Varning!



Läs bruksanvisningen.
Läs hela bruksanvisningen, följ säkerhetsanvisningarna och beakta varningarna.



Använd alltid skyddsglasögon/visir. Risk för flygande föremål.



Använd hörselskydd.



Skydda maskinen mot regn och fukt.



Dra ur stickproppen direkt om skarvsladden skadas, rör inte sladden, håll endast i stickproppen!



Ljudnivå LwA.
106 dB

1.6 Säkerhetsinformation

FEL:



Såga ej med spetsen av svärdet.



Om du sågar med spetsen kan det leda till ett kast där svärdet gör en hastig rörelse uppåt och bakåt mot operatören.



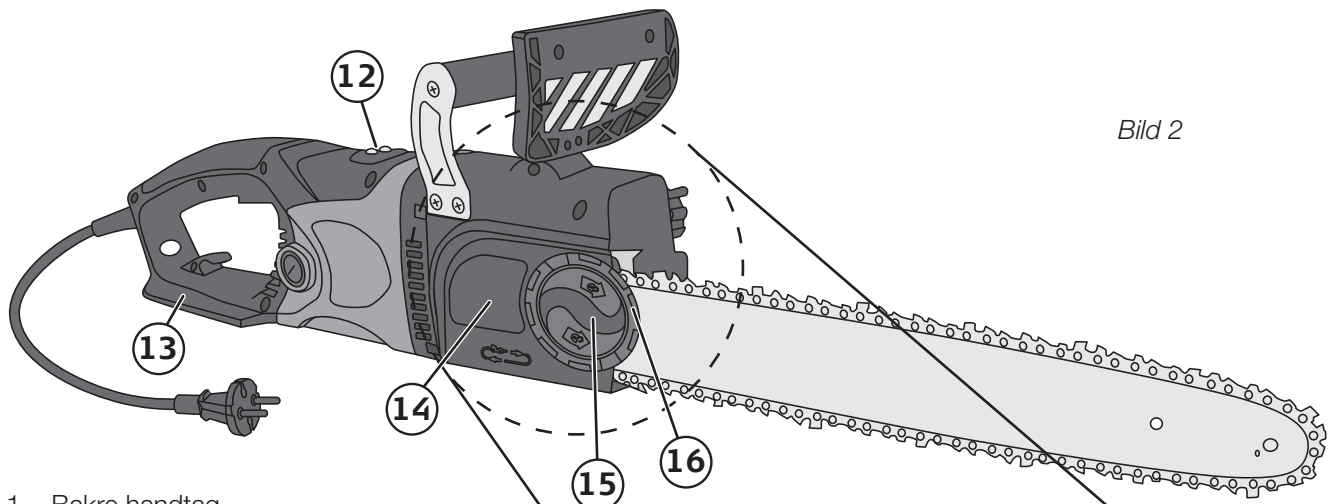
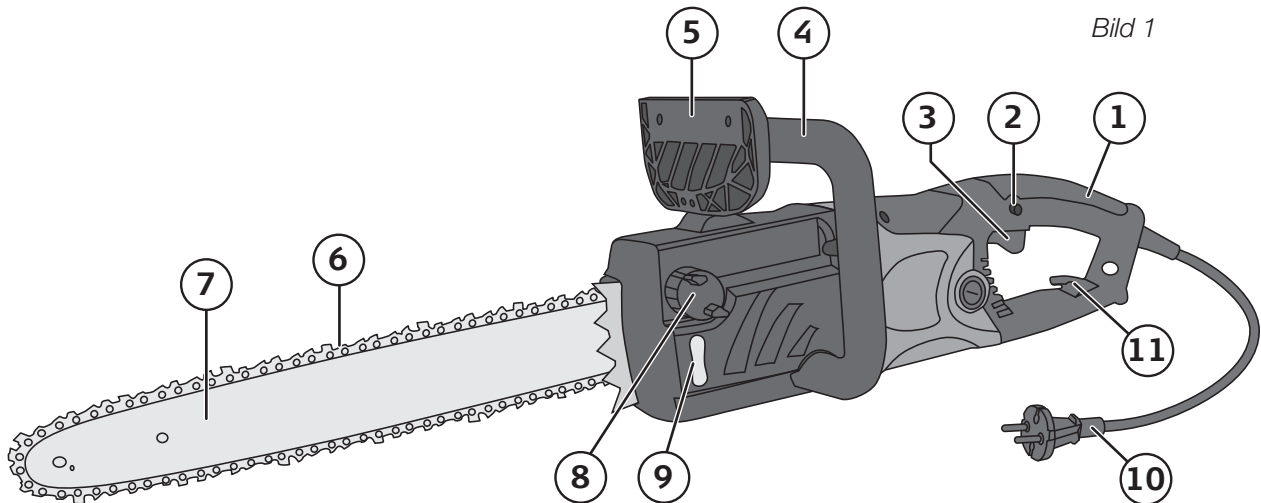
Under inga omständigheter får sågen hållas med en hand. Det ökar risken kraftigt för kast och för att du tappar kontrollen över sågen.

RÄTT:

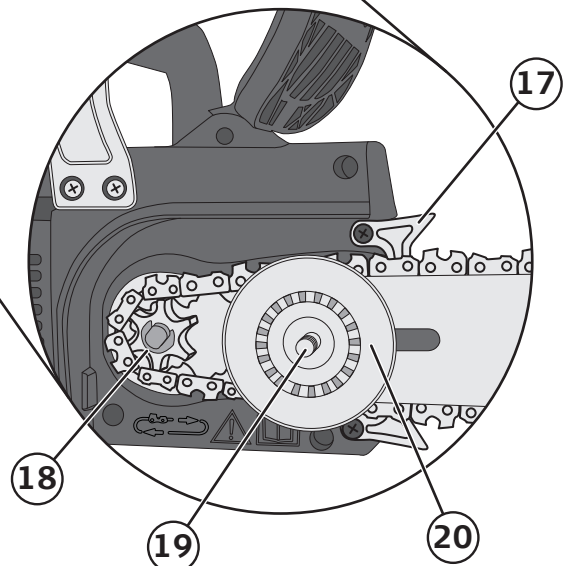


Håll alltid sågen med båda händerna, den högra handen på det bakre handtaget och den vänstra på det främre handtaget.

2. Beskrivning



1. Bakre handtag
2. Säkerhetspär
3. Strömbrytare
4. Främre handtag
5. Kastskydd/utlösning av kedjebroms
6. Sågkedja
7. Svärd
8. Lock till oljetank
9. Oljetank/nivåglas
10. Nätkabel
11. Sladdfäste
12. LED-indikering för överbelastning
13. Bakre fingerskydd/kedjebrottskydd
14. Kedjedrevskåpa
15. Centrumvred
16. Vred för kedjespänning



3. Förberedelser före start

- Kontrollera att drivspänningen som anges på kedjesågens märkskylt överensstämmer med spänningen i eluttaget.
- Kontrollera alltid före start att kedjesågen är oskadad och att den är säker att använda. Kontrollera också att kedjesmörjningen fungerar och att det finns kedjeolja i tanken (se bild 8). Fyll på kedjeolja senast när oljenivån har gått ner till "MIN"-markeringen, när oljenivån är ovanför markeringen fungerar smörjningen bra. Kontrollera kedjesmörjningen så här: starta kedjesågen och håll svärdet ca 20 cm över en vedklamp eller något annat ljust föremål, om kedjesmörjningen fungerar bra ska oljan kastas från kedjan och synas på det ljusa föremålet. Om inga spår av olja syns bör du göra ren utmatningshålet (se bild 11, E) och det övre hålet i svärdet (se bild 12, B), eller kontakta återförsäljare eller serviceverkstad. (Läs avsnittet 3.3 Fyll på kedjeolja och 3.5 Kedjesmörjning.)
- Kontrollera kedjespänningen och justera vid behov (läs avsnittet 3.2 Kedjespänning). Kontrollera att kastskydd/kedjebroms fungerar (läs avsnittet Återställa kastskydd/kedjebroms).

Obs! Elkedjesågen har mjukstart, vilket gör att den når fullt varvtal efter ca 3 sekunder.

3.1 Montering av svärd och sågkedja

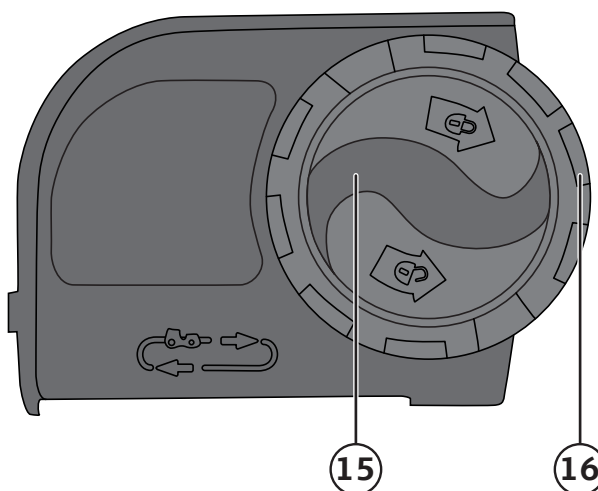
Beskrivning

Svärdet och sågkedjan är inte monterade vid leverans, kedjesågen har en ny typ av inställning för kedjespänning och låsning av sågsvärdet som består av två delar:

A. En kombinerad spänn/låsratt som är monterad på kedjedrevskåpan

Spänn/låsratten består av två olika delar: ett centrumvred (15) för fastlåsning av svärdet (och låsning av inställningen för kedjespänning) och ett yttre vred (16) för inställning av kedjespänning.

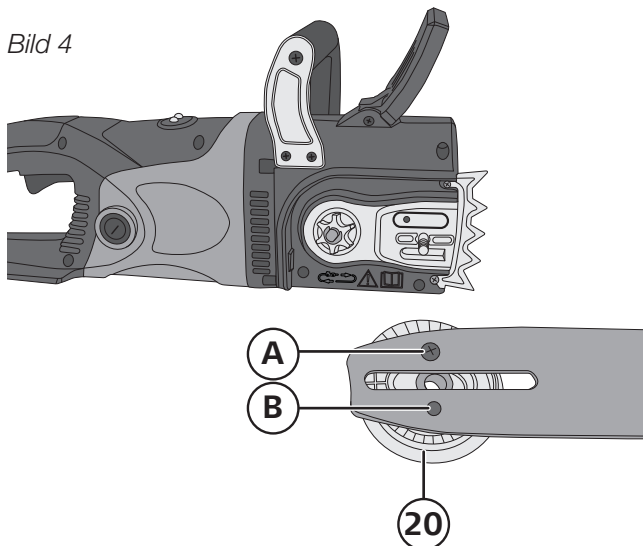
Bild 3



B. Ett spännhjul för kedjespänning som är monterat på svärdet.

Spännhjulet (20) är monterat på svärdet med en skruv (A) genom nedre hålet och en styrtapp i det övre hålet (B) på svärdet.

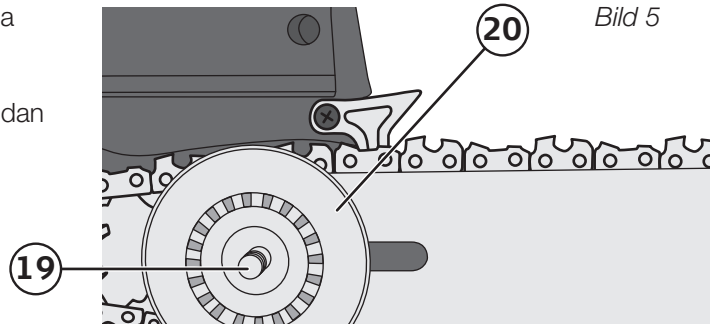
Bild 4



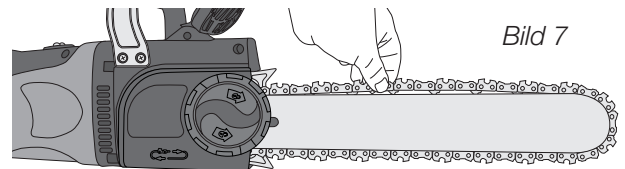
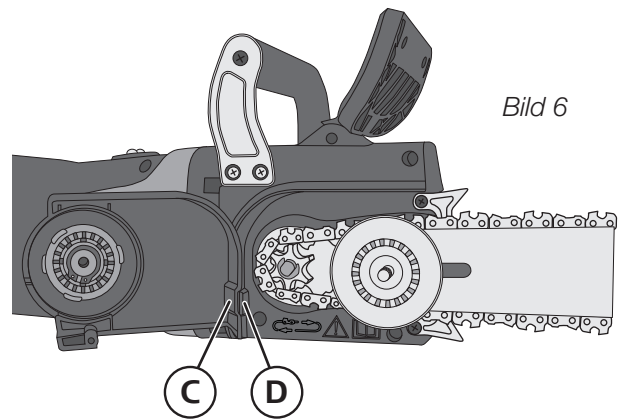
Montera sågsvärd och sågkedja så här

Obs! Stickproppen måste vara utdragen ur eluttaget.

1. Skruva centrumvredet (15) motsols och ta loss kedjedrevskåpan (14).
2. Sågsvärdet har ett monterat spännhjul (20). Vänd svärdet så att spännhjulet är på utsidan av svärdet, montera svärdet så att svärdsbulten (19) sticker genom hålet i spännhjulet (se bild 5).
3. Vrid spännhjulet motsols så långt det går.
4. Vänd sågkedjan så att eggarna på skärlänkarna på översidan av svärdet är vända framåt mot svärdsspetsen (sågkedjan är dragande på undersidan av svärdet och skjutande på översidan av svärdet).



5. Montera sågkedjan så att kedjan passar i drivhjulet och i styrspåret runt hela svärdet. (se bild 6)
6. Vrid spännhjulet medsols och spänn kedjan försiktigt, kontrollera att kedjan ligger rätt på svärd och drivhjul.
7. Montera kedjedrevskåpan (14) genom att passa in den klack (C) som finns i bakkant på kåpan mot hålet (D) i sågen och sedan vika in kåpan så centrumvredets (15) bult ligger an mot svärdsbulten (19). Vrid centrumvredet (15) medsols så att det tar gäng på svärdsbulten (19) och spänn kedjan genom att vrida medsols på det yttre vredet (16) (se bild 3). (Centrumvredet (15) är endast till för låsning av svärdet och det yttre vredet (16) endast för kedjespänning).
8. Ställ in kedjespänningen: sågkedjan ska kunna lyftas ca 5 mm på mitten av svärdet när kedjespänningen är rätt, justera vid behov: lossa det svarta centrumvredet (15) på spänn/låsratten något, justera kedjespänningen genom att vrida den yttre ratten (16), dra åt det svarta centrumvredet för att låsa fast svärdet och därmed fixera den inställda kedjespänningen.



3.2 Kedjespänning

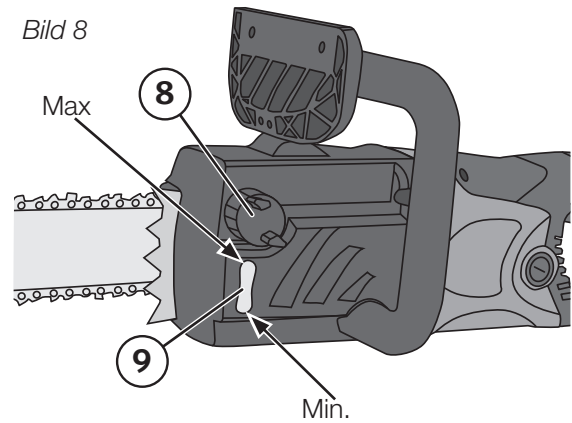
**Obs! Dra alltid ut nätsladdens stickpropp ur eluttaget före service och justering av kedjesågen!
Använd skyddshandskar!**

Justera kedjespänningen

1. Kontrollera först kedjespänningen: sågkedjan ska kunna lyftas ca 5 mm på mitten av svärdet när kedjespänningen är rätt.
2. Justera vid behov: lossa det svarta centrumvredet (15) på spänn/låsratten något, justera kedjespänningen genom att vrida det yttre vredet (16) (se bild 3).
3. Dra åt det svarta centrumvredet för att låsa fast svärdet och därmed fixera den inställda kedjespänningen (kontrollera före åtdragning att sågkedjan ligger rätt i drivhjulet, och i styrspåret runt hela svärdet).

3.3 Fyll på kedjeolja

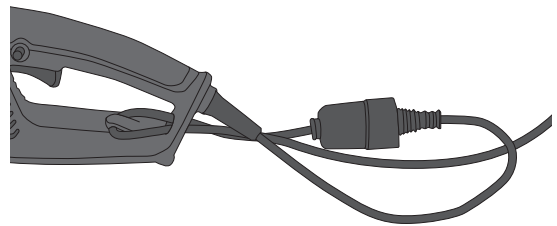
Rengör oljelocket (8) innan det öppnas för att förhindra att smuts kommer ner i oljetanken. Skruva av locket och fyll på sågkedjeolja, oljenivån syns i oljetanken (9) under påfyllningshålet. Fyll upp och skruva sedan åt locket så att det sitter säkert. Torka av ev. spill.



3.4 Fixera skarvsladden i kedjesågen

Använd endast skarvsladd som är avsedd för utomhusbruk och som har tillräcklig ledararea (minst 1,5 mm², max 75 meter lång), fixera skarvsladden i det bakre handtaget som bilden visar. Om skarvsladd längre än 30 meter används kan det leda till spänningsfall så att kedjesågen går dåligt.

Bild 9

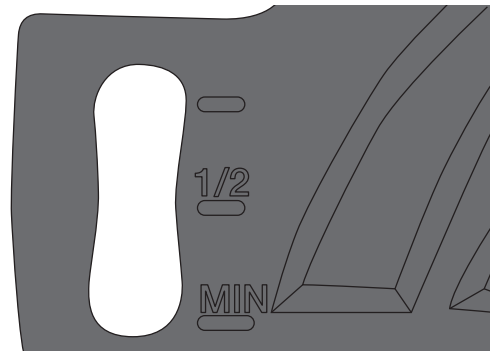


3.5 Kedjesmörjning

Sågkedjan och sågsvärdet måste smörjas under drift för att undvika stort slitage. Kedjesmörjningen är automatisk. Använd aldrig kedjesågen utan fungerande smörjning, både sågsvärd och sågkedja förstörs fort utan smörjning, det är därför viktigt att vid varje användningstillfälle kontrollera kedjesmörjningens funktion och oljetankens nivå (se bild 10). Använd aldrig kedjesågen om oljenivån är under "MIN".

- **Min.** När oljenivån understiger "MIN" eller 5 mm i undre delen av "fönstret" i oljetanken (9), fyll på kedjeolja.
- **Max:** Fyll på kedjeolja tills hela "fönstret" är fullt.

Bild 10



Kontroll av kedjesmörjning

Starta kedjesågen och håll svärdet ca 20 cm över en vedklamp eller något annat ljust föremål, om kedjesmörjningen fungerar bra ska oljan kastas från kedjan och synas på det ljusa föremålet. Om inga spår av olja syns bör du göra ren utmatningshålet (E) och det övre hålet i svärdet (B), (se bild 11, 12) eller kontakta återförsäljare eller serviceverkstad. Var försiktig så att inte sågkedjan tar i marken vid provningen.

Kedjeolja

Livslängden för sågsvärdet och sågkedjan beror på vilken kedjeolja som används. Använd endast kedjeolja och aldrig spillolja etc. Använd miljövänliga typer av sågkedjeolja, förvara kedjeoljan i en tät dunk som är avsedd för ändamålet.

Bild 11

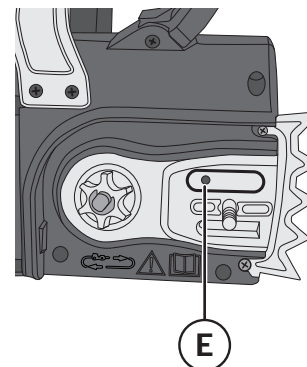
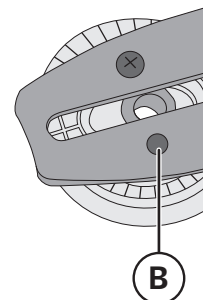


Bild 12



3.6 Sågsvärd

Sågsvärdet (7) slits mest i spetsen och på undersidan, vänd svärdet när kedjan filas/slipas så att det slits på båda sidorna. Fila bort ev. vassa grader på sågsvärdet med en flatfil.

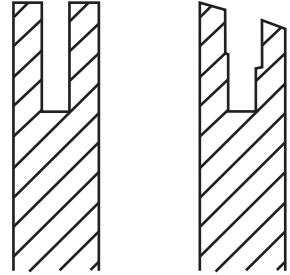
Kedjedrev

Kedjedrevet (18) slits mycket, om det har slitagemärken eller är deformerat ska det bytas ut. Ett slitet kedjedrev sliter ner en ny sågkedja fort. Kontakta återförsäljare eller serviceverkstad för byte av kedjedrev.

Svärdsskydd

Sätt på svärdsskyddet direkt när du är klar med sågningen och alltid när kedjesågen ska förvaras eller transporteras.

Bild 13



3.7 Kastskydd/kedjebroms

Vid ett eventuellt kast med sågsvärdet kommer kedjebromsen att aktiveras genom att kastskyddet (5) trycks framåt av handen och kedjan stannar direkt.

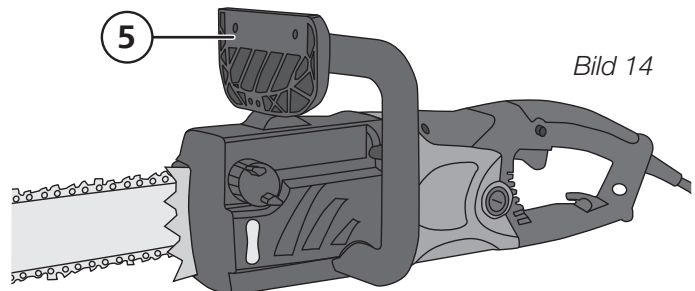


Bild 14

Test av kastskydd

Varning! Kedjebromsen måste kontrolleras före varje användningstillfälle.

Håll i kedjesågen stadigt med båda händerna, starta den och vik fram kastskyddet (mot "0") med handleden, sågkedjan stannar direkt.

Återställning av kastskydd/kedjebroms

Kedjebromsen måste återställas innan kedjesågen kan startas igen: stäng av kedjesågen (släpp strömbrytaren), tryck kastskyddet (5) bakåt tills det låser i sitt bakre läge. Nu är kedjebromsens skyddsfunktion återställd.

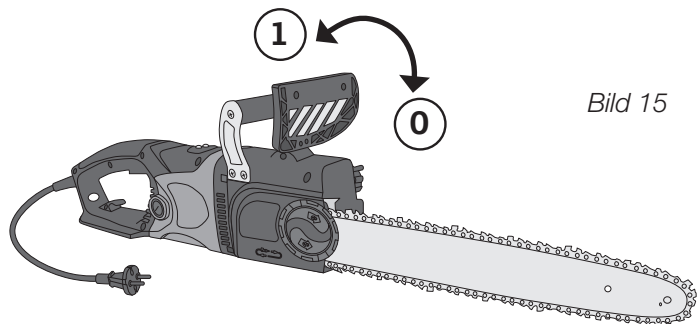


Bild 15

4. Slipning/filning av sågkedjan

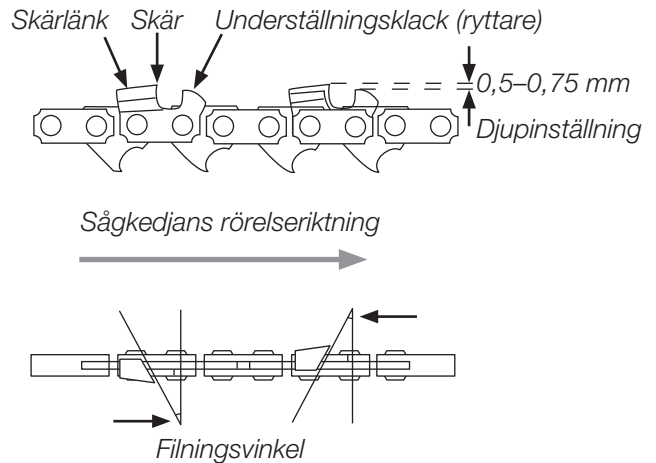
När sågkedjan förlorar sin skärpa och inte längre skär effektivt och säkert, måste den bytas ut eller slipas (filas).

Obs! Det är lättast att fila sågkedjan med någon typ av ”filmall” som finns att köpa i fackhandeln, läs filmallens bruksanvisning innan den används.

Fila kedjan så här:

- Dra ut nätsladdens stickpropp ur eluttaget.
- Ta på skyddshandskar för att skydda händerna.
- Kontrollera kedjespänningen.
- Använd en rundfil med \varnothing 4 mm.
- Fila vinkelrätt (horisontellt) mot svärdet i en vinkel av 30° mot kedjans rörelseriktning.
- Fila varje skär utåt/framåt i kedjans rörelseriktning.
- Fila varje skär med lika många drag av filen, så att sågkedjan blir symmetriskt filad.
- Kontrollera rittarnas höjd vid var 5:e filning, om rittarna behöver filas används en flatfil, och det är viktigt att den ursprungliga profilen behålls.
- Mät rittarnas höjd (djupinställning) efter filning med en mall som finns att köpa hos fackhandlare.

Bild 16



5. Börja använda kedjesågen

Obs! Använd alltid skyddsglasögon/visir, hörselskydd, skyddshandskar och skyddskläder med sågskydd!

Använd endast skarvkablar som är godkända för utomhusbruk och med tillräcklig ledararea (minst $1,5 \text{ mm}^2$, max 75 meter i längd). Kedjesågen är försedd med säkerhetsströmbrytare: strömbrytare och startspärr på det bakre handtaget (1). Startspärren måste tryckas in för att du ska kunna trycka in strömbrytaren och starta kedjesågen. Kedjesågen måste hållas säkert i båda handtagen vid start.

Om inte motorn startar måste kastskyddet/kedjebromsen återställas: tryck kastskyddet (5) bakåt, se 3.7 Kastskydd/Kedjebroms, Återställa kedjebromsen (se bild 15). Kedjesågen mjukstartar och når maxvarv efter ett par sekunder.

Stänga av kedjesågen

Släpp strömbrytaren (3) och startspärren (2) så stannar kedjesågen direkt.

Alltid efter arbetets slut

Gör ren sågkedjan och sågsvärdet, montera svärdsskyddet.

5.1 Skyddsåtgärder för kedjesåg

Obs! Använd aldrig kedjesågen i regn eller vid hög luftfuktighet.

Obs! Dra ur stickproppen direkt om skarvsladden skadas, rör inte sladden, håll endast i stickproppen!

Arbeta aldrig med en skadad skarvkabel.

Kontrollera att kedjesågen är oskadad. Kontrollera också att kedjesågens skydd och säkerhetsanordningar är i funktion eller om några andra delar är skadade innan sågen används. Se till att alla rörliga delar är rörliga och fungerar bra. Alla delar måste vara rätt monterade och uppfylla alla krav som gör att kedjesågens funktion är riskfri för användaren. Skadade säkerhetsdetaljer och andra delar måste repareras/bytas ut av en servicetekniker om inte annat anges i bruksanvisningen.

5.2 Tänk på detta vid arbete med kedjesågen

Kast med svärdet

- Kast med svärdet är när sågsvärdet plötsligt kastas uppåt/bakåt med stor kraft, det inträffar oftast när spetsen på sågsvärdet kommer i kontakt med något föremål.
- Undvik olyckstillbud genom att aldrig såga med svärdets spets, om du gör det kan sågsvärdet plötsligt kastas uppåt/bakåt med stor kraft.
- Använd alltid skyddsglasögon/visir, hörselskydd, skyddshandskar, skyddskläder och skor med sågskydd!
- Se till att trästycket som sågas sitter fast ordentligt, håll fast det med någon typ av låsning vid behov (detta gäller särskilt runda och raka trästycken som kan börja rotera när sågkedjan läggs emot det), det gör också att det blir lättare att använda kedjesågen med båda händerna på ett säkert sätt.
- Kast leder ofta till att sågkedjan blir slö och slak. En slö sågkedja ökar risken för kast. Använd aldrig kedjesågen över axelhöjd.
- Sågkedjans slipning/filning är en mycket viktig säkerhetsdetalj, en felslipad sågkedja kan leda till att kedjesågen blir farlig och obehaglig att använda.

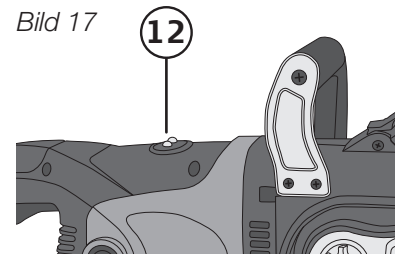
5.3 Indikering för överbelastning

Elkedjesågen är försedd med en överbelastningsindikering (12). Den består av två indikatorlampor: en grön (till höger) som tänds när sågen startas och lyser vid normal drift. Den gröna släcks och en röd indikatorlampa (till vänster) tänds vid överbelastning.

Indikatorlamporna visar endast att kedjesågen överbelastas, vid överbelastning stängs inte kedjesågen av. Om du fortsätter att såga länge när den röda indikatorlampan lyser kan kedjesågen skadas eller också löser säkringen ut.

Minska belastningen för kedjesågen genom att minska trycket från svärdet mot trästycket tills den röda indikatorlampan slocknar.

Bild 17



6. Tips för användning av kedjesågen

Vedsågning

Följ dessa säkerhetsregler vid vedsågning:

- Se till att vedstycket ligger säkert så att det inte kan glida/rulla vid sågningen. Försök att fixera mindre vedstycken innan sågningen påbörjas.
- Använd endast kedjesågen till att såga i trä. Se till att inga stenar, spikar eller andra föremål som kan kastas iväg eller skada sågkedjan är i närheten av sågkedjan under sågningen. Undvik att sågkedjan kommer i kontakt med marken, taggtråd etc. vid sågning.
- Se till att svärdsspetsen inte kommer i kontakt med kvistar, kapa endast en kvist i taget. Se till att du står stadigt, använd skyddsskor med halksäker sula.
- Kedjesågen ska alltid vara avstängd vid förflyttning, håll inte handen på strömbrytaren så att sågen kan startas ofrivilligt om du snubblar på något hinder.

7. Kom ihåg

- Kedjesågen måste startas först så att sågkedjan är i rörelse när sågsvärdet trycks emot vedstycket.
- Starta kedjesågen genom att trycka in startspärr och strömbrytare på det bakre handtaget (1).
- Sätt den nedre delen av barkstödet (17) mot vedstycket och börja såga. Dra tillbaka kedjesågen något och flytta den så att vedstycket är högre upp på barkstödet och fortsatt att såga.
- Var försiktig när du sågar ved som är kluven eller sprucken, vassa flisor kan kastas iväg.

8. Kapning av träd som ligger i spänn

Varning! Var försiktig när du hanterar träd som ligger i spänn.

Tänk efter hur trädet är böjt innan du börjar såga. Om du sågar på den sida av stocken som har tryckande krafter kan sågen fastna, om du sågar på sidan som har dragande krafter kan stocken spjälkas.

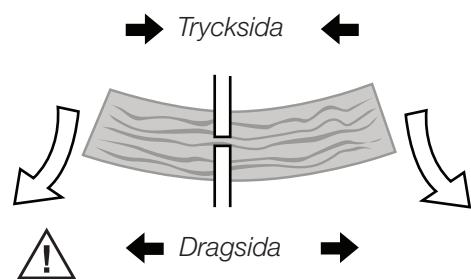
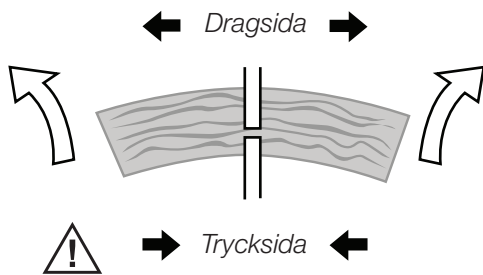


Bild 18

Översidan är belastad med dragande krafter och undersidan med tryckande krafter.

Varning: Trädet splittras upp vid kapning.

Undersidan är belastad med dragande krafter och översidan med tryckande krafter.

Varning: Trädet slår neråt vid kapning.

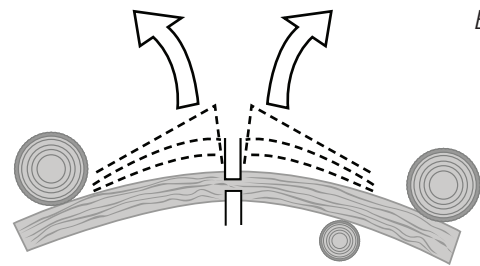
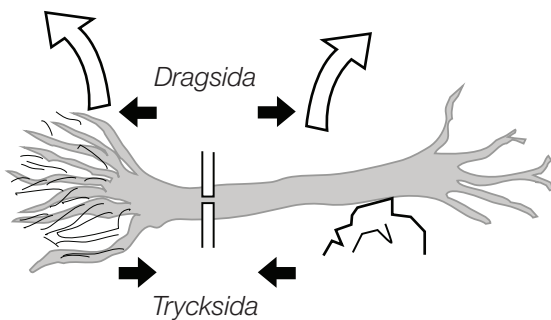


Bild 19

Översidan är belastad med dragande krafter och undersidan med tryckande krafter.

Varning: Trädstammen slår snabbt uppåt med stor kraft och vrider sig vid kapning och rotvältnen kan tippa framåt eller bakåt. Var mycket försiktig i detta läge!

Båda sidor är belastade med tryckande krafter.

Varning: Trädstammen kan slå åt sidan vid kapning. Var mycket försiktig i detta läge!

9. Trädfällning

Denna kedjesåg är inte avsedd för trädfällning utan främst för kapning. Den kan dock undantagsvis användas vid fällning av mindre träd. **Fråga någon som är van att hantera motorsåg om du är det minsta osäker på hantering av kedjesågen eller arbetsmetod.**

Denna skyddsutrustning ska alltid användas vid skogsarbete: hjälm med hörselskydd och visir, byxor med sågskydd, kängor eller skor med sågskydd och naturligtvis ett första förband.

- Små träd kan oftast fällas med ett snitt genom nästan hela stammen och tryckas i rätt riktning med händerna eller axeln (såga inte igenom helt, spara lite av stammen för att använda som gångjärn).
- Större träd kräver riktskär, riktskåret bestämmer trädets fallriktning.

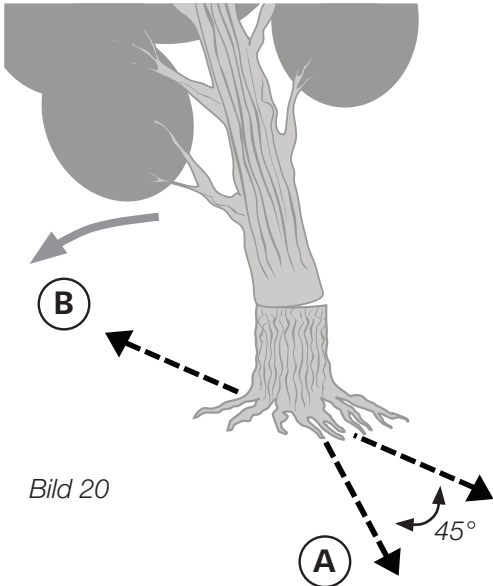


Bild 20

Varning! Se alltid till att du har en reträttväg klar, røj undan hindrande buskar och kvistar vid behov innan fällningen påbörjas. Bästa reträttvägen (A) är diagonalt bakåt mot fällriktningen.

Varning! Se alltid till att hålla dig på ovansidan av trädet om marken lutar vid trädfällning, då trädet med största sannolikhet kommer att glida neråt eller rulla neråt efter fällningen.

Obs! Trädets fallriktning (B) bestäms av riktskåret. Kontrollera före fällning om trädet lutar åt något håll eller om kvistarna är mycket större på någon sida av trädet, så att trädet har en naturlig fallriktning.

Varning! Fäll aldrig träd själv om det finns risk för att det ska falla på någonting som kan skadas, hus, staket etc. Ta hjälp av en yrkesman. Fäll aldrig träd i närheten av kraftledning eller telefonledning. Kontrollera att inga åskådare eller husdjur finns i närheten innan du börjar såga, titta upp ibland och kontrollera att ingen närmar sig riskområdet.

Normal trädfällning består av två sågningsmoment, riktskär (C) och fällskär (D).

Börja med det övre riktskåret (C) på den sida av trädet som är vänd i fällriktningen (E). Gör sedan det nedre riktskåret horisontellt så att det träffar det övre riktskåret (såga inte för långt). Riktskåret ska vara brett nog att styra trädet under så stor del av fallet som möjligt.

Varning! Gå aldrig framför ett träd där du har gjort ett riktskär.

Gör fällskåret (D) från den andra sidan av trädet och 3–5 cm över det undre riktskåret.

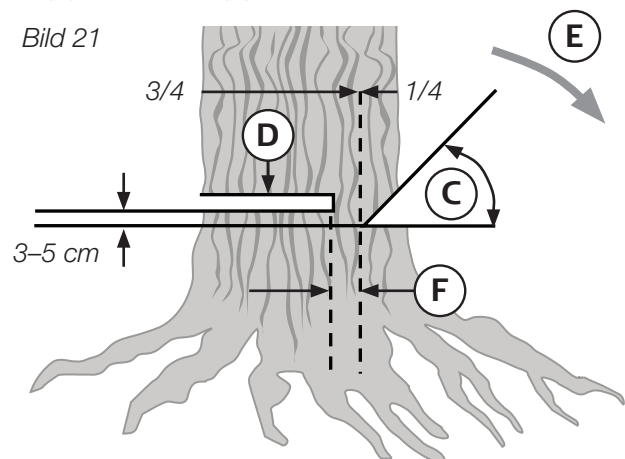


Bild 21

Såga ALDRIG igenom den resterande stammen helt. Lämna ALLTID en brytmån (F), det är brytmånen som styr trädet under fallet. Om trädet blir helt genomsågat tappar du kontrollen över fällriktningen och trädet kan falla åt vilket håll som helst. Sätt en fällkil eller ett brytjärn i fällskåret innan sågningen är helt klar. Om du sågar hela fällskåret innan fällkilen eller brytjärnet har placerats i sågspåret kan trädet vika sig bakåt och nypa fast svärdet. Kontrollera innan trädet fälls med hjälp av fällkilen eller brytjärnet att inga åskådare eller husdjur finns inom riskområdet.

Varning! Kontrollera att inga åskådare, husdjur eller andra hinder finns i närheten innan du gör sista sågsnittet.

1. Använd fällkilar av plast eller trä (A) för att förhindra att svärdet (B) nyps fast i sågskäret.

Bild 23

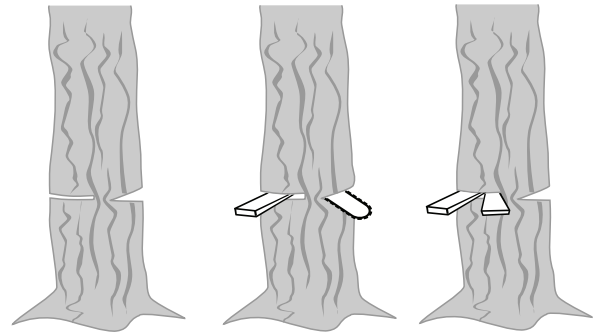
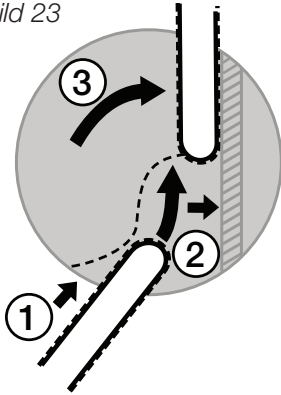


Bild 22

2. Om trädets diameter är större än längden på svärdet måste du göra två skär.

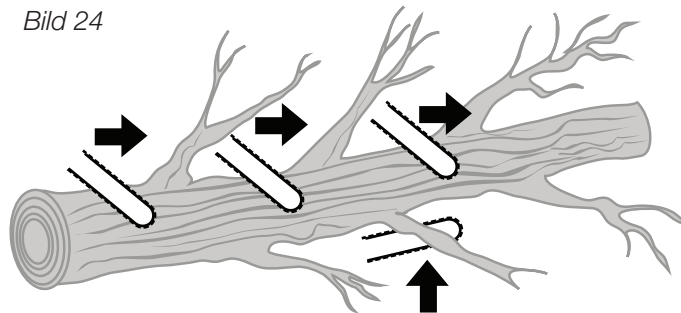
Varning! När fällskäret (D) har sågats långt så att endast brytmånen (F) finns kvar kan trädet börja falla, annars måste du använda fällkil eller brytjärn för att hjälpa till.

Ta bort kedjesågen, stäng av motorn och ta några steg snett tillbaka längs reträttvägen, och håll uppsikt över trädet när det faller (se bild 20).

10. Kvistning

Kvistning innebär att såga av kvistarna på ett liggande träd. Börja med att såga av de översta kvistarna på trädet, stå på ena sidan av trädstammen och kvista på den andra sidan av stammen (då har du trädstammen som skydd mellan dig och kedjesågen). Var försiktig vid kapning av kvistar som är i spänn, de måste kapas från rätt sida, annars fastnar svärdet.

Bild 24



Varning! Stå aldrig på trädstammen vid kvistning.

11. Kapning

Vid kapning sågas liggande trädstammar till annan längd. Se till att du står stadigt med god balans, om marken lutar måste du stå ovanför trädstammen vid kapning. Trädstammen ska helst vara uppallad på något så att den inte ligger direkt på marken, då det är lätt att du råkar såga i marken så att sågkedjan blir slö. Om trädstammen har stöd i båda ändarna måste du börja med att dela den på mitten. Börja med att såga igenom halva stocken från ovansidan, gör sedan ett mötande snitt på undersidan, annars kan sågsvärdet nypas fast. Var försiktig så att inte sågkedjan kommer i kontakt med marken.

1. En trädstam som har stöd under hela längden: såga från ovansidan först, rulla sedan trädstammen och gör mötande snitt från den nya ovansidan (bild 25).
2. En trädstam som har stöd i ena änden (t.ex. om trädstammen ligger i en sågbock): såga från undersidan först (1/3 av diametern, för att undvika spjälkning) och gör sedan mötande snitt från ovansidan.
3. En trädstam som har stöd i båda ändar: såga från ovansidan först (1/3 av diametern, för att undvika spjälkning) och gör sedan mötande snitt från undersidan (bild 26).

Obs! Bästa sättet att kapa är att använda något stöd, gärna en sågbock, om det inte är möjligt kan trädstammen pallas upp med något annat. Se till att trädstammen ligger säkert så att den inte kan rulla eller ramla ner.

Bild 25

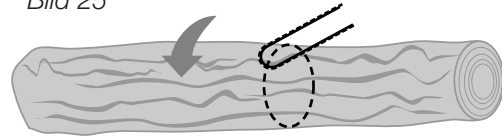
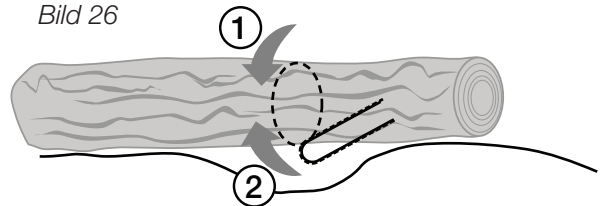
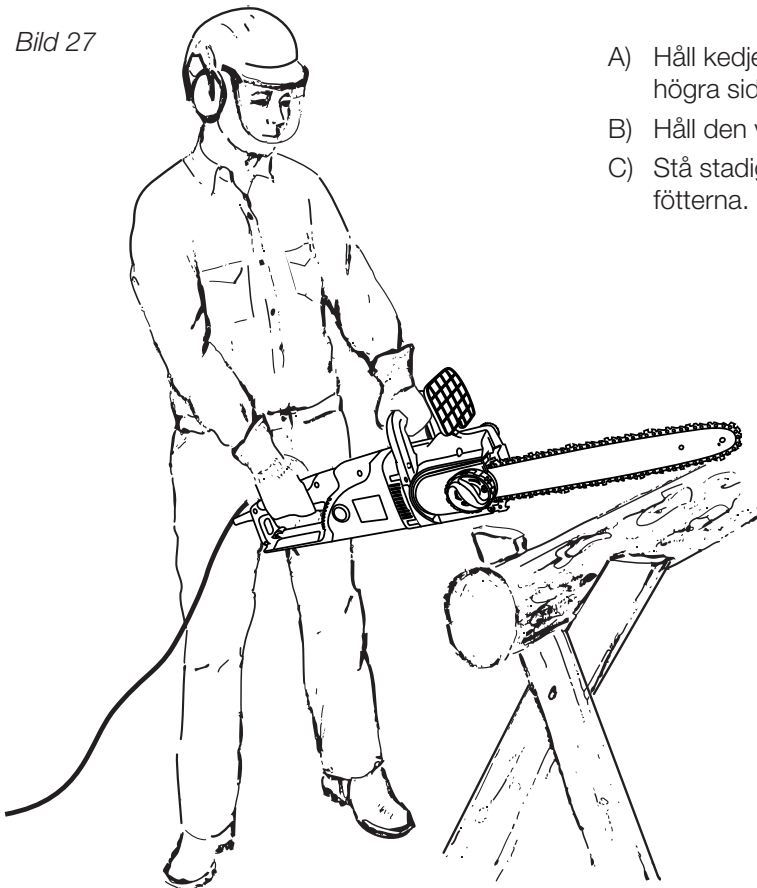


Bild 26



Kapning med hjälp av en sågbock

Bild 27



- A) Håll kedjesågen stadigt med båda händerna på din högra sida vid sågning.
- B) Håll den vänstra armen så rak som möjligt.
- C) Stå stadigt med vikten jämnt fördelad på båda fötterna.

12. Underhåll och rengöring

Obs! Dra alltid ut nätsladdens stickpropp ur eluttaget före service och justering av kedjesågen!

Håll alltid motorns kylflötsöppningar fria från spån och smuts. Service och justering som är omnämnd i bruksanvisningen får utföras, all annan reparation/justering ska utföras av servicetekniker. Produkten får inte ändras eller användas på annat sätt än vad som här anges då det kan äventyra säkerheten vid arbete med kedjesågen.

13. Förvaring

Förvara kedjesågen på en ren, torr och plan yta inlåst eller utom räckhåll för barn när den inte används.

14. Avfallshantering

Denna symbol innebär att produkten inte får kastas tillsammans med annat hushållsavfall. Detta gäller inom hela EU. För att förebygga eventuell skada på miljö och hälsa, orsakad av felaktig avfallshantering, ska produkten lämnas till återvinning så att materialet kan tas omhand på ett ansvarsfullt sätt. När du lämnar produkten till återvinning, använd dig av de returhanteringssystem som finns där du befinner dig eller kontakta inköpsstället. De kan se till att produkten tas om hand på ett för miljön tillfredställande sätt.



15. Felsökning

Fel	Orsak	Lösning
Motorn startar inte.	Ingen ström.	Kontrollera eluttag, kabel, stickpropp.
		Skadad elkabel: byt ut den, använd aldrig en skadad elkabel.
		Skadad strömbrytare måste bytas av servicetekniker.
	Kastskydd/kedjebroms utlöst.	Se <i>Återställa kastskydd/kedjebroms</i> (bild 15).
	Slitna kolborstar.	Låt en servicetekniker byta ut elborstarna.
Kedjan rör sig inte.	Kastskydd/kedjebroms utlöst.	Se <i>Återställa kastskydd/kedjebromsen</i> (bild 15).
Dålig kapacitet.	Felmonterad sågkedja.	Felvänd sågkedja, kontrollera riktning.
	Slö sågkedja.	Slipa sågkedjan.
	Fel kedjespänning.	Kontrollera sågkedjans spänning.
Kedjesågen fungerar dåligt, sågkedjan hoppar av.	Fel kedjespänning.	Kontrollera sågkedjans spänning.
Sågkedjan blir varm.	Kedjesmörjning.	Kontrollera oljenivå.
		Kontrollera kedjesmörjning.

16. Tekniska data

Effekt	2400 W
Märkspänning	230 V, 50 Hz
Skärhastighet	14 m/s
Max sågdjup	350 mm
Vikt	4,7 kg (utan svärd och kedja)
Ljudnivåer	LpA = 93 dB(A), KpA = 3 dB(A) LwA = 106 dB(A), KwA = 3 dB(A)
Vibrationsnivå	7,5 m/s ² K = 1,5 m/s ²
Volym oljebehållare	110 ml
Sågkedja	3/8" 52 länkar 1,3 mm
Sågsvärd	35 cm (14")

Elektrisk kjedesag, 2400 W

Art.nr. 18-3573 Modell SF7J101-24-SLN
40-9509 SF7J101-24-SLN

Les brukerveiledningen grundig før produktet tas i bruk og ta vare på den for framtidig bruk.
Vi reserverer oss mot ev. feil i tekst og bilde, samt forandringer av tekniske data.
Ved tekniske problemer eller spørsmål, ta kontakt med vårt kundesenter.

Innholdsfortegnelse

1. Sikkerhetsinstrukser – Elektriske håndverktøy	37
1.1 Generelle sikkerhetsinstrukser - EN 60745-1	37
1.2 Advarsler ved bruk av kjedesag	38
1.3 Hvordan kast kan oppstå med kjedesagen	39
1.4 Forebygging mot kast	39
1.5 Produktmerking med sikkerhetssymboler på maskinen	40
1.6 Sikkerhetsinformasjon	40
2. Beskrivelse.....	41
3. Forberedelser for start.....	42
3.1 Montering av sverd og kjede	42
3.2 Stramming av kjedet.....	43
3.3 Påfylling av kjedeolje.....	44
3.4 Feste skjøteledningen til kjedesagen	44
3.5 Smøring av kjedet.....	44
3.6 Sverdet	45
3.7 Beskyttelse mot kast/kjedebremser.....	45
4. Sliping/filing av sagkjedet.....	46
5. Bruk av kjedesagen	46
5.1 Tiltak for å beskytte kjedesagen.....	46
5.2 Husk følgende ved bruk av kjedesagen	47
5.3 Indikasjon på overbelastning	47
6. Tips for bruk av kjedesagen	47
7. Husk	47
8. Kapping av trær som ligger i spenn	48
9. Felling av trær	49
10. Kvisting	50
11. Kapping.....	51
12. Rengjøring og vedlikehold.....	52
13. Oppbevaring.....	52
14. Avfallshåndtering	52
15. Feilsøking.....	52
16. Tekniske data	52

Advarsel! Når du bruker elektriske verktøy skal alltid følgende generelle sikkerhetsregler følges, for å unngå brannfare, elektrisk støt og personskade:
Trekke alltid støpselet ut fra strømuttaket før ev. service eller justering av produktet!

1. Sikkerhetsinstruksjoner – Elektriske håndverktøy

1.1 Generelle sikkerhetsinstruksjoner - EN 60745-1

Advarsel! Les gjennom hele brukerveiledningen. Hvis ikke veiledningene følges, kan dette føre til elektrisk støt, brann og/eller andre alvorlige skader. Med «elektrisk håndverktøy» i den følgende teksten menes verktøy som enten er koblet til strømmettet eller er batteridrevne.

TA VARE PÅ DENNE VEILEDNINGEN.

1) Arbeidsplassen

- a) **Hold arbeidsplassen ren, ryddig og godt opplyst.** Rot og dårlig opplyst arbeidsplass kan forårsake ulykker.
- b) **Ikke bruk elektriske håndverktøy i omgivelser med eksplosjonsfare, som for eksempel nær lettantennelige væsker, gasser eller støv.** Elektrisk håndverktøy kan danne gnister, som igjen kan antenne støv eller trespon.
- c) **Hold barn og andre på god avstand når håndverktøy er i bruk.** Forstyrrelser kan føre til at man mister kontrollen.

2) Sikkerhet ved bruk av elektrisk strøm

- a) **Støpselet til det elektriske verktøyet må passe i strømuttaket. Støpselet må ikke endres på. Bruk aldri adapter sammen med elektrisk håndverktøy som krever jording.** Ved bruk av originale støpsler reduseres faren for elektrisk støt.
- b) **Unngå kroppskontakt med jordede gjenstander som rør, ovner, komfyrer og kjøleskap.** Kroppskontakt med disse øker faren for elektrisk støt.
- c) **Elektrisk håndverktøy bør ikke utsettes for regn eller fuktighet.** Hvis det kommer vann inn i et elektrisk håndverktøy, øker faren for elektrisk støt.
- d) **Påse at ikke strømledningen skades. Bær aldri verktøyet i strømledningen. Trekk heller ikke i strømledningen når støpselet skal tas ut av strømuttaket. Hold ledningen unna varme, olje, skarpe kanter og bevegelige deler.** Skadede eller deformerte ledninger kan øke faren for elektrisk støt.
- e) **Ved bruk av elektrisk håndverktøy utendørs, skal en benytte skjøteledning som er beregnet til dette formålet.** Når skjøteledning som er beregnet for utendørs bruk benyttes, reduseres faren for elektrisk støt.
- f) **Dersom det elektriske håndverktøyet må benyttes i fuktige omgivelser, skal verktøyet kobles til et strømnett via en jordfeilbryter.** Bruk av jordfeilbryter reduserer faren for elektrisk støt.

3) Personlig sikkerhet

- a) **Vær våken og bruk sunn fornuft når du bruker et elektrisk verktøy. Ikke bruk elektriske håndverktøy når du er trett eller påvirket av rusmidler, alkohol eller sterke medisiner.** Når du bruker elektrisk håndverktøy kan et lite øyeblikks uoppmerksomhet resultere i store personskader.
- b) **Bruk verneutstyr. Benytt alltid vernebriller.** Bruk av verneutstyr som støvmaske, sklisikre såler på skoene, hjelm og hørselsvern ved behov, reduserer faren for personskade.
- c) **Unngå uønsket oppstart. Påse at strømbryteren står i posisjon "OFF" før strømmen kobles til.** Det å bære et elektrisk håndverktøy med en finger på avtrekkeren/strømbryteren, eller å koble til strømmen mens strømbryteren står i posisjon "ON", kan forårsake ulykker.
- d) **Fjern alle nøkler/serviceverktøy før du starter det elektriske håndverktøyet.** Et gjenglemt serviceverktøy på en roterende del, kan forårsake personskader.
- e) **Strekk deg ikke for langt. Påse at du står stødig og har god balanse i kroppen under hele arbeidsoperasjonen.** Da er du bedre forberedt når uventede situasjoner oppstår.
- f) **Bruk fornuftige klær. Ikke bruk løstsittende klær og smykker. Hold klær, hansker, smykker og annet løstsittende unna bevegelige deler.** Løstsittende klær, smykker eller langt hår, kan feste seg i bevegelige deler.
- g) **Hvis det er mulig å koble til en støvsamler/støvsuger, bør dette gjøres.** Ved bruk av slike hjelpemidler, kan en redusere faren for støvrelaterte skader og ulykker.

4) Bruk og vedlikehold av det elektriske håndverktøyet

- a) **Ikke press et elektrisk håndverktøy. Bruk elektriske håndverktøy som er beregnet til den arbeidsoperasjonen du skal utføre.** Riktig hastighet på matingen er viktig for å utføre bedre og sikrere arbeid.
- b) **Ikke bruk det elektriske håndverktøyet dersom ikke strømbryteren virker og verktøyet kan skrues av.** Alle elektriske håndverktøy, som ikke kan kontrolleres med en strømbryter, er farlige og må repareres.
- c) **Trekk støpselet ut før justeringer og skifte av tilbehør på verktøyet og når det ikke skal brukes.** Dette for å unngå at elektrisk håndverktøy får en ukontrollert start.
- d) **Oppbevar elektrisk håndverktøy utilgjengelig for barn. Påse også at elektrisk håndverktøy er utilgjengelig for personer som ikke har fått tilstrekkelig opplæring på eller er fortrolig med verktøyet.** Elektrisk håndverktøy kan være farlige dersom de kommer i hendene på ukyndige.
- e) **Vedlikehold av elektriske håndverktøy. Kontroller at verktøyet ikke er feilinnstilt, at bevegelige deler ikke beveger seg usymmetrisk, at ingen deler er skadet eller at det elektriske håndverktøyet har andre feil, som kan påvirke dets funksjon. Dersom noe er skadet må dette repareres før verktøyet tas i bruk.** Mange ulykker skyldes dårlig eller manglende vedlikehold.
- f) **Hold verktøyene skarpe og rene. Påse også at det elektriske verktøyet holdes skarpt.** Godt vedlikeholdt skjæreverktøy, med skarpe egger, er lettere å kontrollere.
- g) **Følg instruksjonen, ta hensyn til arbeidsforholdene og hva slags type arbeid som skal utføres.** Bruk av elektrisk håndverktøy til andre arbeidsoperasjoner enn det som det er beregnet til, kan skape farlige situasjoner.

5) Service

- a) **La profesjonelle fagfolk utføre service og reparasjoner. Benytt kun originale reservedeler.** Dette for å opprettholde sikkerheten ved bruk av det elektriske håndverktøyet.

1.2 Advarsler ved bruk av kjedesag

- **Hold alle kroppsdeler bort fra sagens roterende deler mens kjedet roterer. Påse at ikke kjedesagen er i kontakt med noe, når den startes.** Ett lite øyeblikk med uoppmerksomhet kan føre til store ulykker.
- **Ha alltid et godt grep i både fremre og bakre håndtak på kjedesagen.** Bruk høyre hånd på det fremre og venstre på bakre håndtak for å redusere faren for personskade.
- **Bruk vernebriller og hørselsvern. Det anbefales også å bruk personlig verneutstyr som hjelp, hansker, bukser og sko.** Riktig beskyttelse reduserer faren for personskade.
- **Bruk ikke kjedesagen når du er oppe i et tre.** Det kan føre til personskader.
- **Påse å ha god balanse i kroppen ved bruk av kjedesagen. Stå helst på en plan flate.** Skjeve eller ustabile arbeidsstillinger, som for eksempel å stå på en stige, fører fort til at man mister balansen eller kontrollen på kjedesagen.
- **Husk at kvister som ligger i spenn slår tilbake når de kappes.** Vær derfor ekstra varsom i tilfeller hvor kvist etc. står i spenn så du ikke mister kontrollen når taket slipper.
- **Vær forsiktig når du sager i busker og kratt.** Di tynne kvistene kan feste seg i kjedet og kastes mot/fra deg eller få deg til å miste balansen.
- **Bær alltid kjedesagen i det fremre håndtaket og med motoren skrudd av. Vend sverdet bort fra kroppen. Beskyttelsen på sverdet skal alltid være montert ved oppbevaring og transport av kjedesagen.** Riktig håndtering av kjedesagen reduserer muligheten for skader på personer.
- **Følg manualens anbefalinger for smøring, stramming av kjede og bytte av tilbehør.** Feil stramming eller mangel på smøring av sagkjedet kan øke faren for kast med sagen.
- **Hold alltid håndtakene tørre, rene og fri for olje/fett.** Fett/olje på håndtaket øker faren for at man mister kontrollen på sagen.
- **Kjedesagen skal kun brukes på trematerialer. Den må ikke benyttes til andre formål en det den er beregnet for. For eksempel: Sag aldri i plast, tegl eller andre byggematerialer som ikke er laget av tre.** Feil bruk kan føre til farefulle situasjoner.

1.3 Hvordan kast kan oppstå med kjedesagen

- Kast kan forekomme hvis sverdet eller spissen på sverdet kommer bort i ett objekt, eller når treemnet trykkes sammen og klyper kjedet sammen i sporet.
- Kontakt med sverdspissen kan i enkelte tilfeller føre til uventede reaksjoner, hvor sverdet kastes opp og bakover mot brukeren.
- Hvis sagkjedet klypes fast på oversiden av sverdet, kan det trykkes bakover mot brukeren.
- Alle disse reaksjonene kan gjøre at bruker mister kontrollen over sagen, noe som igjen kan føre til alvorlige personskader. Man må ikke stole blindt på sagens innebygde sikkerhetsfunksjoner. Som bruker av en kjedesag skal du alltid ta visse forhåndsregler, som kan hindre ulykker og skader.

1.4 Forebygging mot kast

Kast med sagen er et resultat av feil bruk og/eller bruksmetode eller at den brukes i feil miljø. Det kan unngås ved at man tar visse forhåndsregler, som:

- **Hold kjedesagen med et godt grep med begge hendene. Hold kroppen og armene i en stødig posisjon slik at man kan stå imot kreftene ved for eksempel et kast i sagen.** Kreftene i ett kast kan kontrolleres av brukeren, dersom man har tatt visse forhåndsregler. Slipp ikke håndtakene.
- **Unngå å strekke deg og jobb aldri med sagen over skulderhøyde.** Dette vil hjelpe til å unngå uventede situasjoner.
- **Bruk kun sverd og sagkjeder av den typen som produsenten anbefaler.** Bruk av feil tilleggsutstyr kan føre til kast og personskader.
- **Følg produsentens instruksjoner for sliping og vedlikehold.** Ved for mye sliping øker faren for kast i kjedesagen.
- **Hold i kjedesagen på de isolerte gripeflatene. Hvis ikke kan sagen lede strøm og gi deg støt dersom du sager i skjulte strømledninger etc.** Hvis sagen kommer i kontakt med spenningsførende ledninger kan metallflatene på sagen bli spenningsførende og gi operatøren elektrisk støt.

1.5 Produktmerking med sikkerhetssymboler på maskinen

Advarsel!



Advarsel!



Les bruksanvisningen.
Les hele bruksanvisningen. Følg sikkerhetsreglene og ta hensyn til alle advarsler.



Bruk alltid vernebriller/visir. Fare for flygende gjenstander.



Bruk hørselsvern.



Beskytt maskinen mot fuktighet og regn.



Trekk ut støpselet umiddelbart dersom skjøteledningen skades.



Lydeffekt LwA.

1.6 Sikkerhetsinformasjon

FEIL:



Sag ikke med spissen på sverdet.



Sag ikke med sverdspissen, da dette kan føre til kast som igjen kan skade operatøren.



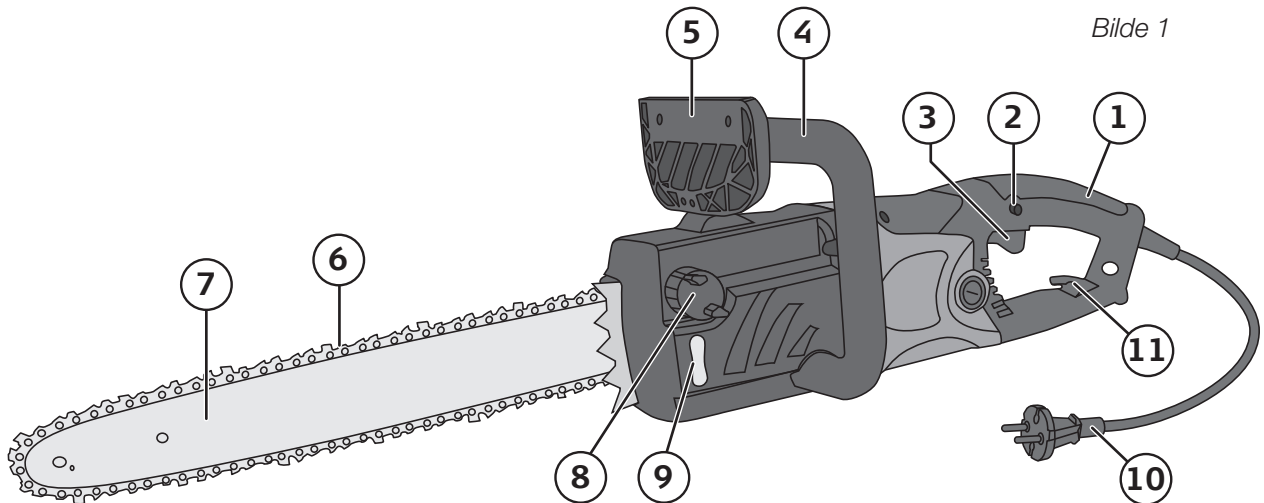
Sagen må ikke under noen omstendigheter holdes kun med én hånd, da dette øker faren for kast og at du mister kontrollen over sagen.

RIKTIG:

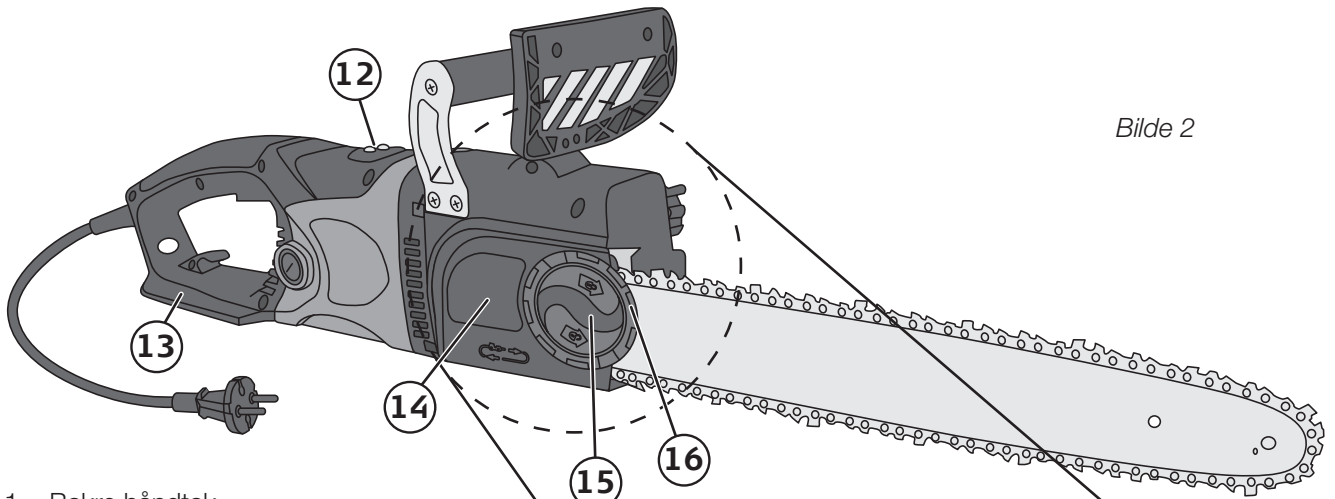


Hold alltid i sagen med begge hendene med høyre hånd på det bakre håndtaket og venstre på det fremre.

2. Beskrivelse

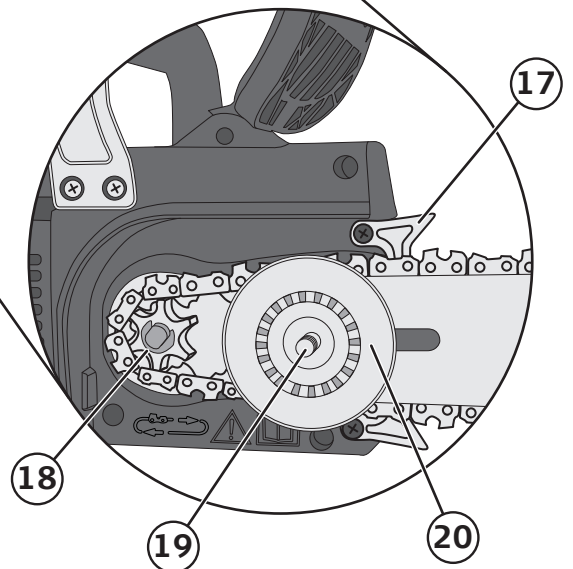


Bilde 1



Bilde 2

1. Bakre håndtak
2. Sikkerhetssperre
3. Strømbryter
4. Fremre håndtak
5. Kastbeskyttelse/utløsning av brems
6. Kjede
7. Sverd
8. Lokk til oljetank
9. Oljetank/oljenivåvindu
10. Strømkabel
11. Ledningsfeste
12. LED-indikering for overbelastning
13. Bakre fingerbeskyttelse/kjedebeskyttelse
14. Deksel
15. Sentrumsratt
16. Bryter for spenning på kjede



17. Barkstøtte
18. Kjededrev
19. Sverdbolt
20. Spennhjul til kjedespenningen

3. Forberedelser for start

- Kontroller at strømmnettets spenning stemmer overens med merkingen på kjedesagen.
- Kontroller alltid sagen før start. Den må ikke startes dersom den er skadet eller har mangler. Etterfyll olje før MIN-markeringen er nådd. Kjedesmøringen kontrolleres på følgende måte: Start sagen og hold sverdet ca. 20 cm over en vedkubbe eller liknende. Hvis smøringen fungerer, skal det komme litt olje på vedkubben. Hvis det ikke kommer noe olje må utmatingsdysen rengjøres (se bilde 11, E) samt det øverste hullet på sverdet (se bilde 12, B). Dersom du er usikker, ta kontakt med et serviceverksted for hjelp. (Se 3.3 Påfylling av kjedeolje og 3.5 Smøring av kjedet).
- Kontroller strammingen av kjedet og juster det ved behov (se 3.2 Stramming av kjedet). Kontroller at kastbeskyttelsen/kjedebremsen fungerer (se *Stille beskytter mot kast/kjedebremse tilbake*).

Obs! Sagen har mykstart, noe som gjør at den ikke når fullt turtall før etter ca. 3 sekunder.

3.1 Montering av sverd og kjede

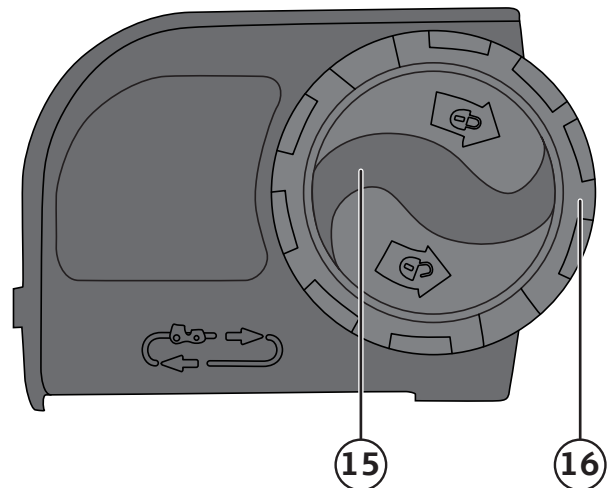
Beskrivelse

Sverd og kjede er ikke montert ved levering. Kjedesagen har en ny type innstilling av kjedespenningen og låsing av sagsverdet som består av to deler:

A. Et kombinert spenn/låseratt som er montert på kjededekselet.

Spenn/låserattet består av to forskjellige deler:
Et sentrumsratt (15) for fastlåsing av sverd (og låsing av innstilling for stramming på kjedet), og et ytre ratt (16) for stramming av kjedet.

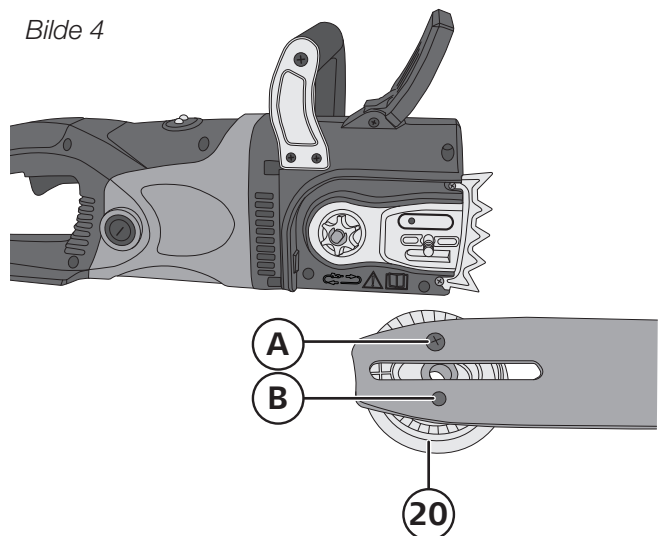
Bilde 3



B. Et spennhjul for stramming av kjedet.

Spennhjulet (20) er montert på sverdet med en skrue (A) gjennom det nederste hullet, og en styrepinne i det øverste hullet (B) på sverdet.

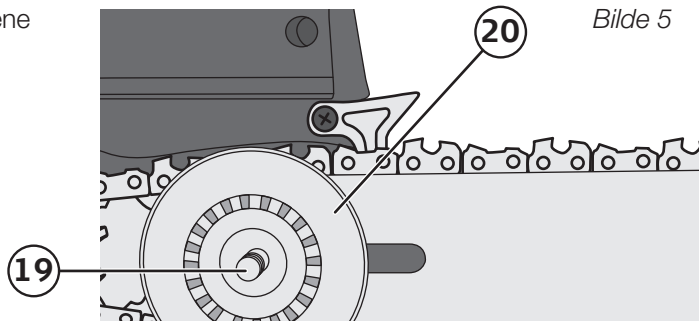
Bilde 4



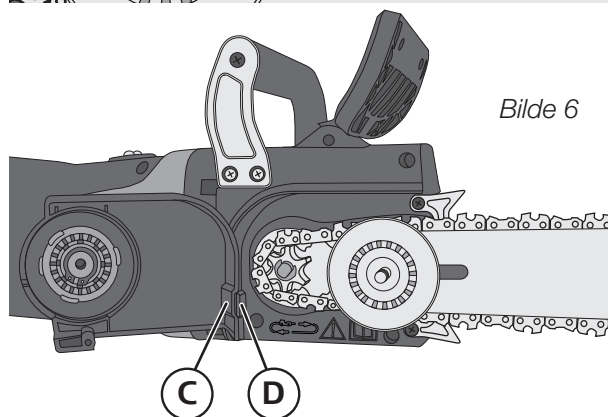
Monter sverd og kjede som beskrevet nedenfor

Obs! Støpselet må være trukket ut av strømuttaket.

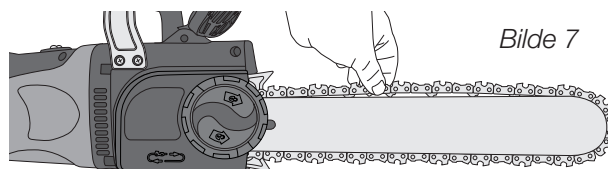
1. Skru ut sentrumsrattet (15) motsols og ta av kjededrevdekselet (14).
2. Sagsverdet har et spennhjul (20) montert. Vend sverdet slik at spennhjulet er på sverdets utside. Monter sverdet slik at sverdbolten (19) stikker gjennom hullet i spennhjulet (se bilde 5).
3. Vri spennhjulet medurs så langt som mulig.
4. Vend sagekjedet slik at eggene på skjærelenkene på oversiden av sverdet vender framover mot sverdspissen (sagekjedet trekker på sverdets underside og skyver på oversiden).



5. Monter kjedet slik at det passer i drivhjulet og i styresporene rundt hele sverdet. (se bilde 6).
6. Drei spennhjulet medsols og stram kjedet forsiktig. Kontroller at kjedet ligger riktig på sverd og drivhjul.
7. Monter kjededrevdekselet (14) ved å tilpasse haken (C) som sitter i bakkant på dekselet, mot hullet (D) på sagen og deretter dreies dekselet slik at sentrumsrattets (15) bolt ligger an mot sverdbolten (19). Vri sentrumsrattet (15) medsols slik at det entrer sverdbolten (19) og spenn kjedet. Kjedet dreies medsols på det ytre rattet (16). (Sentrumsrattet (15) er kun til for låsing av sverdet og det ytre rattet (16) er til strammingen av kjedet).



8. Stramming av kjedet: På midten av sverdet skal man kunne løfte kjedet opp ca. 5 mm fra sverdet. Juster ved behov: Løsne litt på det svarte sentrumsrattet (15), juster spenningen på kjedet ved å dreie på rattet (16). Når ønsket spenning er oppnådd låses kjedet ved å dreie på det svarte sentrumsrattet igjen.



3.2 Stramming av kjedet

Obs! Trekk alltid støpselet ut av strømuttaket før service og justeringer på sagen.

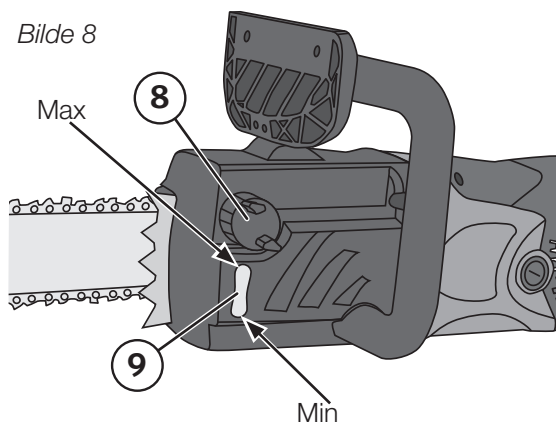
Bruk vernehansker.

Justere spenningen på kjedet

1. Kontroller strammingen på kjedet først: På midten av sverdet skal man kunne løfte kjedet opp ca. 5 mm fra sverdet. Da er kjedet riktig strammet.
2. Juster ved behov: Løsne litt på det sorte sentrumsrattet (15) på låserattet. Juster kjedespenningen ved å dreie på det ytre rattet (16) (se bilde 3).
3. Trekk til det sorte sentrumsrattet for å låse sverdet og den nyinnstilte strammingen på kjedet. (Før sverdet festes igjen må man påse at kjedet ligger riktig i drivhjulet og styresporene på sverdet).

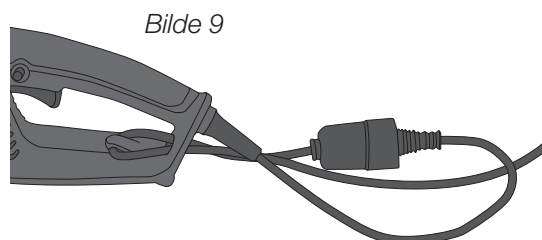
3.3 Påfylling av kjedeolje

Tørk av oljelokket (8) før det skrues av for å forhindre at det kommer smuss ned i tanken. Skru av lokket og fyll oljen i tanken (9). Oljenivået kan, under fylling, sees under påfyllingshullet. Fyll til maks nivå og skru lokket på igjen. Tørk bort ev. spill.



3.4 Feste skjøteledningen til kjedesagen

Bruk skjøteledning som er beregnet til utendørsbruk og som har stor nok kapasitet (minst 1,5 mm², maks 75 meter lang). Skjøteledningen festes til det bakerste håndtaket som vist på bildet. Hvis skjøteledningen er lengre enn 30 meter må det regnes med spenningsfall som fører til redusert kapasitet på sagen.

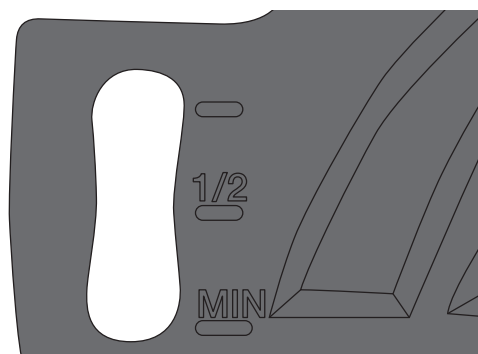


3.5 Smøring av kjedet

Sagkjedet og sverdet må smøres av og til for å unngå stor slitasje. Kjedesmøringen skjer automatisk. Sagen må aldri brukes uten smøring. Både sverdet og kjedet blir skadet ved bruk uten smøring. Det er derfor viktig å kontrollere kjedesmøring og oljetankens nivå før bruk. (bilde 10) Bruk aldri sagen hvis oljenivået er under «MIN».

- **Min:** Når oljenivået er under «MIN» eller 5 mm opp på «vinduet» ved oljetanken (9), etterfyll med kjedeolje.
- **Maks:** Fyll på med olje til hele «vinduet» er fullt.

Bilde 10



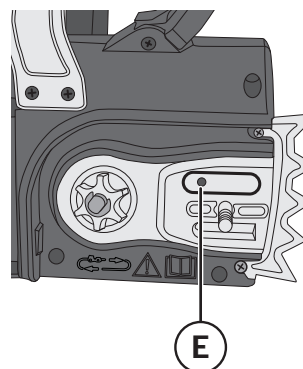
Kontroll av kjedesmøring

Start sagen og hold sverdet ca. 20 cm over en vedkubbe eller liknende. Hvis smøringen fungerer, skal det komme litt olje på vedkubben. Hvis det ikke kommer noe olje ut må utmatingsdysen (E) og det øverste hullet på sverdet (B) rengjøres. Dersom du er usikker, ta kontakt med et serviceverksted for hjelp. Vær forsiktig så ikke kjedet kommer i kontakt med bakken under testingen.

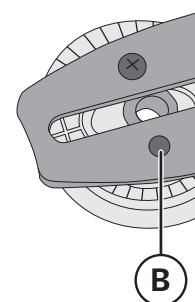
Kjedeolje

Levetiden for sverdet og kjedet er avhengig av hvilken kjedeolje man benytter. Bruk aldri spillolje etc., kun olje som er beregnet til formålet. Bruk miljøvennlige sagkjedeoljer og oppbevar oljen i en tett dunk som er beregnet til dette.

Bilde 11



Bilde 12



3.6 Sverdet

Sverdet (7) slites mest i spissen og på undersiden. Vend sverdet når kjedet files/slipet slik at det slites på begge sidene. Fil bort eventuelle skarpe grader på sverdet med en flatfil.

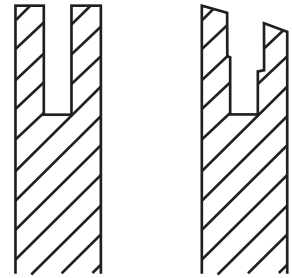
Kjededrev

Kjededrevet (18) slites også. Kontroller om det har slitasjemerker eller er deformert. Hvis det er det, må det skiftes ut. Et slitt kjededrev sliter på sagkjedet. Kontakt forhandler eller serviceverksted for skifte av kjededrev.

Sverdbeskyttelse

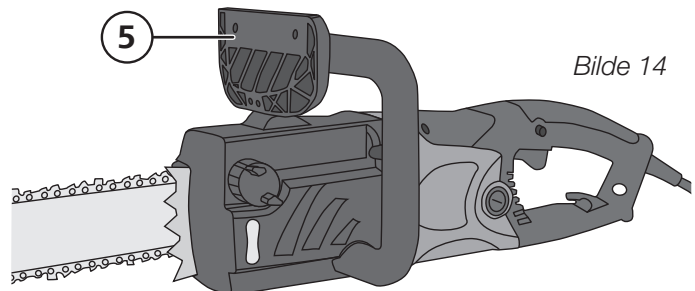
Sett sverdbeskyttelsen på plass straks sagingen er utført og behold det på ved oppbevaring og transport av sagen.

Bilde 13



3.7 Beskyttelse mot kast/ kjedebremser

Ved et ev. kast vil kjedebremseren aktiveres ved at beskyttelsen (5) trykkes fram av hånden og kjedet stopper.



Bilde 14

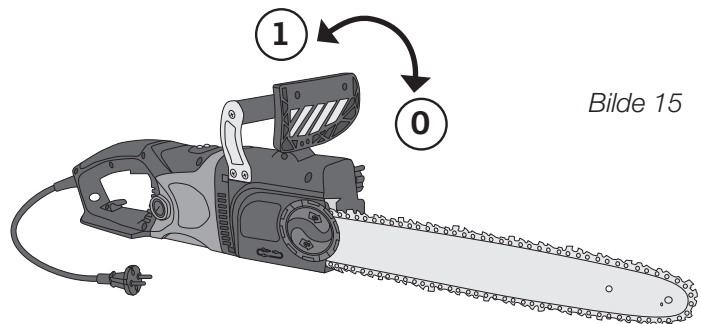
Testing av kast-beskyttelsen

Advarsel! Kontroller kjedebremseren, før bruk ved hver oppstart, på følgende måte:

Hold i sagen med begge hendene. Start sagen og skyv kastebeskytteren fram (mot «0») med håndleddet. Sagekjedet skal stoppe umiddelbart.

Stille beskytter mot kast/ kjedebremser tilbake

Kjedebremseren skal alltid stilles tilbake når sagen skal startes igjen. Skru av kjedesagen (slipp strømbryteren). Trykk kastebeskytteren (5) bakover til den låses i den bakre posisjonen. Nå er kjedebremseren stilt tilbake.



Bilde 15

4. Sliping/filing av sagkjedet

Når kjedet begynner å bli sløvt må det skiftes ut eller files/slipes.

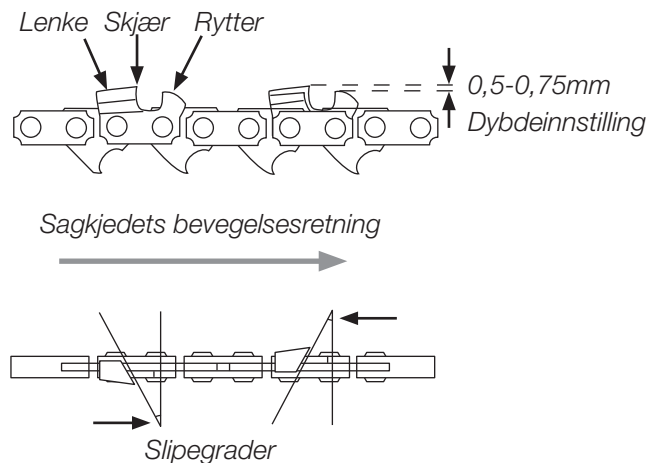
Obs! Det er enklest å file kjedet med en «filemal». En slik kan kjøpes hos fagforhandler.

Les malens bruksanvisning grundig før bruk.

Slik files kjedet:

- Trekk støpselet ut av strømuttaket.
- Bruk vernehansker.
- Kontroller strammingen av kjedet.
- Bruk en rundfil med \varnothing 4 mm.
- Fil vinkelrett (horisontalt) mot sverdet i en vinkel på 30° mot kjedets bevegelsesretning.
- Fil hvert skjær utover og framover i kjedets bevegelsesretning.
- Bruk like mange drag med filen på hvert skjær.
- Kontroller rytternes høyde ved hver 5. filing. Hvis rytterne trenger å bli fult, benytt en flatfil. Det er viktig at opprinnelig profil beholdes.
- Mål rytternes høyde med en mal etter filingen (malen kan kjøpes hos fagforhandler.)

Bilde 16



5. Bruk av kjedesagen

Obs! Bruk alltid vernebriller/visir, hørselsvern, vernehansker og verneklær som er beregnet på saging!

Bruk kun skjøteledning som er godkjent for utendørsbruk og som har stort nok areal (minst $1,5 \text{ mm}^2$, maks 75 meter lang). Kjedesagen er utstyrt med en sikkerhetsstrømbryter. Strømbryteren og startsperreren på det bakerste håndtaket (1) må trykkes inn for å starte sagen. Sagen må holdes med begge hendene, én på hvert håndtak, ved oppstart av sagen.

Hvis det er problemer med å starte sagen kan det hende at kjedebremsen (5) må stilles tilbake. Trykk kastebeskyttelsen bakover, se avsnittet 3.7 *Beskyttelse mot kast/kjedebremse, Stille beskytter mot kast/kjedebremse tilbake* (se bilde 15). Sagen starter mykt og med maks turtall etter ett par sekunder.

Stenge kjedesagen

Slipp opp strømbryteren (3) og startsperreren (2). Sagen vil da stoppe umiddelbart.

Etter bruk

Rengjør kjedet og sverdet, og sett på sverdbeskyttelsen.

5.1 Tiltak for å beskytte kjedesagen

Obs! Sagen skal ikke brukes i regn eller ved høy luftfuktighet.

Obs! Trekk ut støpselet umiddelbart dersom skjøteledningen skades. Kjedesagen må ikke tas i bruk hvis ledningen er skadet.

Kontroller at sagen ikke har skader. Kontroller også alle beskyttelser/vern og sikkerhetsanordninger. Sagen må ikke benyttes dersom noen av disse har skader. Påse at alle bevegelige deler fungerer som de skal. Alle deler må være riktig montert og oppfylle alle funksjonskrav. Alle deler som er skadet må skiftes av kyndige fagpersoner dersom ikke annet er oppgitt i bruksanvisningen.

5.2 Husk følgende ved bruk av kjedesagen

Kast med sverdet

- Kast forekommer oftest ved at sverdspissen kommer i kontakt med uønskede gjenstander.
- Sag aldri med sverdets spiss da det kan føre til kast på sagen.
- Bruk alltid vernebriller/visir, hørselsvern, vernehansker og verneklær med sagbeskyttelse!
- Påse at trestykket, som skal sages, sitter godt fast. Fest det med en form for låsing ved behov så begge hendene er frie til å holde sagen stabil med.
- Kast fører ofte til at sagekjedet blir sløvt og slakt. Et sløvt kjede kan føre til kast. Bruk aldri kjedesagen over skulderhøyde.
- Påse at kjedet er riktig slipt/filt. Et kjede som er feilslipt kan føre til farlige situasjoner.

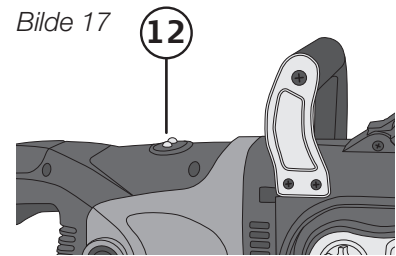
5.3 Indikasjon på overbelastning

Sagen er utstyrt med en overbelastningsindikasjon (12). Den består av to indikatorlamper: Én grønn (til høyre), som tennes når sagen startes og lyser ved vanlig drift. Den grønne slukkes og en rød lampe (til venstre) tennes ved overbelastning.

Indikatorlampene viser kun at kjedesagen er overbelastet, men stenger ikke sagen. Hvis du fortsetter å sage etter at den røde indikatorlampen er tent, kan sagen bli ødelagt eller sikringen vil utløses.

Reduser belastningen til kjedesagen ved å minske på trykket fra sverdet mot trestykket helt til den røde indikatorlampen slukker.

Bilde 17



6. Tips for bruk av kjedesagen

Saging av ved

Følg disse sikkerhetsanmodningene ved vedsaging:

- Pass på at vedstykket ligger stabilt og sikkert, slik at det ikke glir eller ruller ved saging. Fest vedemnet før sagingen starter.
- Kjedesagen er kun beregnet for saging i trematerialer. Påse at emnet som skal sages i ikke inneholder steiner, spikre eller liknende. Unngå at sagekjedet kommer i kontakt med bakken, piggråd etc. ved saging.
- Påse at sverdspissen ikke kommer i kontakt med kvister. Kapp kun én kvist av gangen. Pass på å stå stødig og bruk sklisiske sko.
- Forflytt ikke sagen med motoren i på. Hold ikke hånden på strømbryteren ved forflytting av sagen.

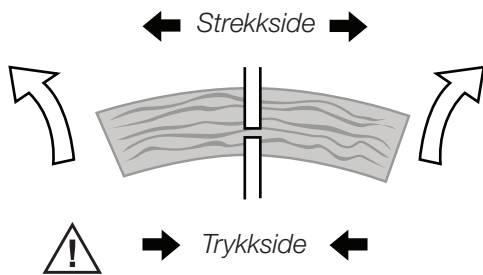
7. Husk

- Kjedesagen må startes før sagkjedet kommer i kontakt med arbeidsemnet.
- Sagen startes ved at startspærren og strømbryteren på det bakre håndtaket trykkes inn.
- Sett den nedre delen av barkstøttet mot vedstykket og start sagingen. Trekk kjedesagen litt tilbake og flytt den slik at vedstykket er høyre oppe på barkstøtten og fortsatt sagingen.
- Vær forsiktig ved saging av ved som er kløyvet eller sprukket. Spisse fliser kan slynges ut.

8. Kapping av trær som ligger i spenn

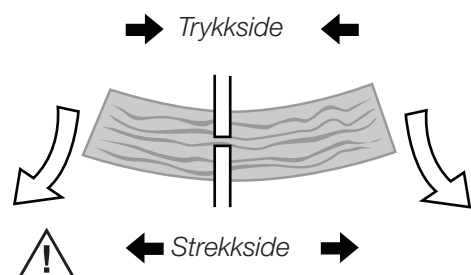
Advarsel! Vær ekstra varsom ved kapping av trær som står i spenn.

Studer hvordan treet er bøyd, før sagingen starter. Dersom man sager fra den siden av stokken som har trykk, kan sagen kile seg fast. Hvis man sager fra den andre siden, kan stokken spjelkes.



Oversiden er belastet med strekkrefter og undersiden med trykkrefter.

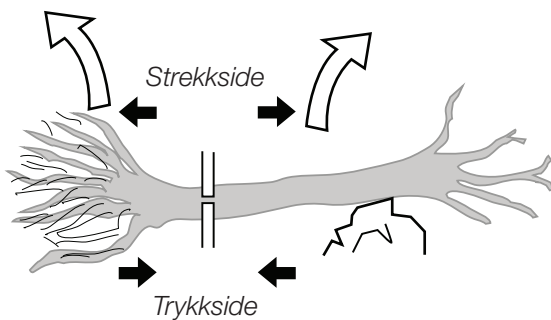
Advarsel: Treet splittes opp ved kapping.



Bilde 18

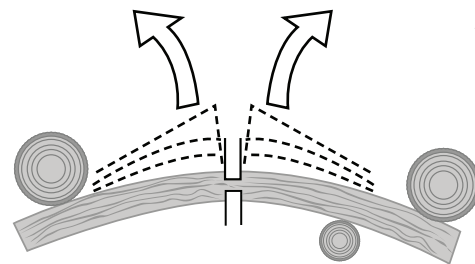
Undersiden er belastet med strekkrefter og oversiden med trykkrefter.

Advarsel: Treet slår nedover ved kapping.



Oversiden er belastet med strekkrefter og undersiden med trykkrefter.

Advarsel: Trestammen slår raskt oppover med stor kraft og vrir seg ved kapping, og rot delen kan velte fram- eller bakover. Vær ekstra varsom i slike situasjoner.



Bilde 19

Begge sider er belastet med trykkrefter.

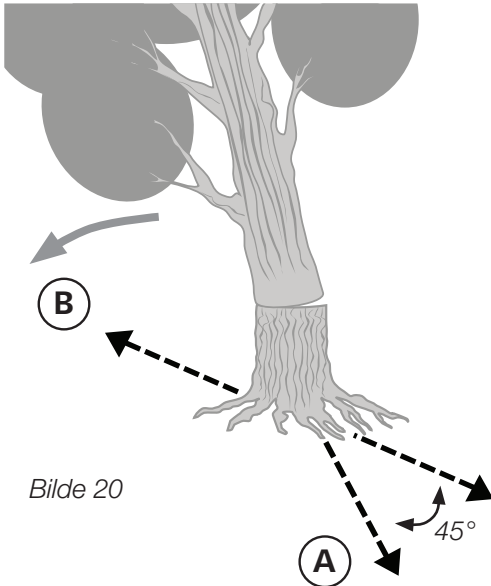
Advarsel: Trestammen kan slå til siden ved kapping. Vær ekstra varsom i slike situasjoner.

9. Felling av trær

Denne sagen er ikke beregnet for felling av trær, men først og fremst for kapping. Den kan brukes til felling av mindre trær. **Spør noen som er kjent med bruk av motorsag dersom du er det minste usikker på hvordan den skal brukes.**

Verneutstyr som alltid skal brukes ved skogsarbeider: Hjelm m. hørselvern og visir, bukser med sagebeskyttelse og vernesko. Ha alltid ett førstehjelpsskrin tilgjengelig.

- Små trær kan oftest felles med ett snitt gjennom nesten hele stammen og deretter trykkes i riktig retning med hendene eller skulderen (ikke sag helt gjennom, men spar litt av stammen for å kunne styre retningen på fallet).
- Ved felling av større trær må en først lage et skjær for å styre fallretningen.



Advarsel! Pass på at du alltid har en rettetvei klar. Rydd unna buskas og kvist som kan være i veien før du starter felling. Beste rettetvei (A) er diagonalt bakover mot fallretningen.

Advarsel! Dersom terrenget heller, bør du alltid holde deg på oversiden av treet, fordi treet med størst sannsynlighet vil vri seg eller rulle nedover etter felling.

Obs! Treets fallretning (B) bestemmes av retnings-skjæret. Før felling bør det sjekkes om treet heller i en bestemt retning eller om kvistene er større på en av treets sider. Dette virker inn på fallretningen.

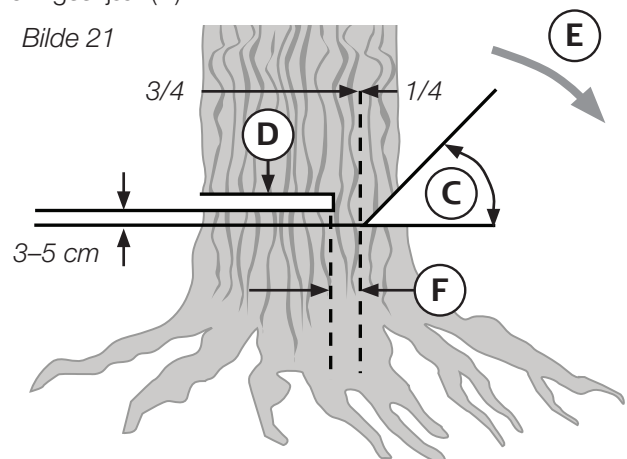
Advarsel! Fell ikke trær hvis det er fare for at de kan falle på noe som kan skades, som f.eks. hus, gjerder etc. I slike tilfeller må en leie inn fagpersoner. Fell aldri trær i nærheten av kraftledninger eller telefonledninger. Påse at ingen tilskuere eller husdyr er i nærheten mens du feller. Følg med under felling at ingen uvedkommende nærmer seg faresonen.

Normal trefelling består av to trinn, retnings-skjær (C) og fellings-skjær (D).

Start med det øverste retnings-skjæret (C) på den sida av treet som vender i fallretningen (E). Deretter lager du det nederste retnings-skjæret horisontalt slik at det treffer det øverste retnings-skjæret (ikke sag for dypt). Retnings-skjæret skal være bredt nok til å styre treet, så langt det lar seg gjøre, under fallet.

Advarsel! Gå aldri foran et tre etter at du har kappet retnings-skjæret.

Kapp fallskjæret (D) fra den andre siden av treet og i en høyde på 3–5 cm over det nederste retnings-skjæret.

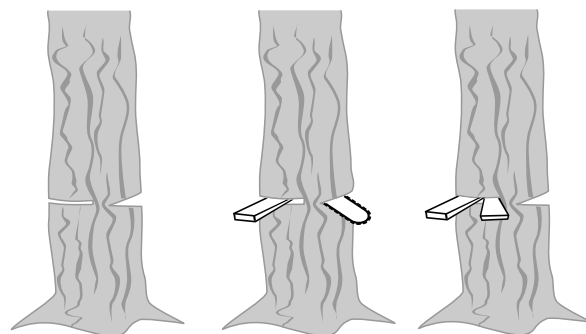
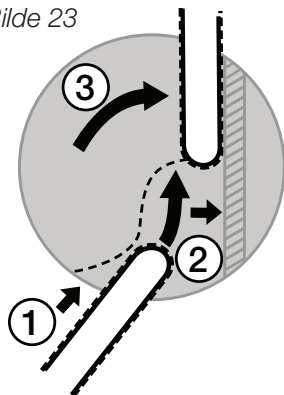


Sag ALDRI helt gjennom stammen. La det ALLTID stå igjen ca. 5 cm (F), det er dette partiet som styrer treet når det faller. Hvis treet blir saget helt gjennom, mister du kontrollen på fallretningen. Plasser en kile eller brytjern i kuttet før sagingen er helt fullført. Hvis du sager hele skjæret før kilen eller brytjernene er satt på plass i sporet kan treet falle bakover og kile fast sverdet. Ta en siste sjekk på at ingen uvedkommende er i faresonen før du fjerner kilen.

Advarsel! Sjekk at ingen tilskuere, husdyr eller andre er i nærheten før du gjør det siste sagsnittet.

1. Bruk kiler av plast eller tre (A) for at sverdet (B) ikke skal feste seg i sporet.

Bilde 23



Bilde 22

2. Hvis treet's diameter er større enn lengden på sverdet må du lage to skjær.

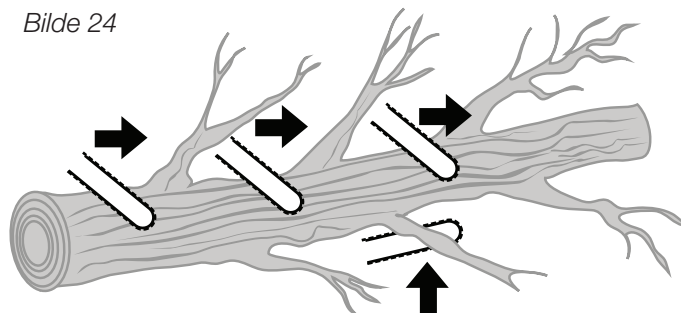
Advarsel! Når du har sagt fellings skjæret (D) slik at det gjenstår et lite stykke (F) kan treet veltes. Hvis det ikke vil falle, bør det benyttes kile eller brytejern for å hjelpe til.

Ta bort motorsagen, steng motoren og ta ett par skritt i rømningsveiens retning. Hold oppsikt med treet mens det faller (se bilde 20).

10. Kvisting

Med kvisting menes å kappe kvister på et liggende tre. Start med de øverste kvistene på treet. Stå på den ene siden av trestammen og kviste på den andre siden (da har du trestammen som beskyttelse mellom deg og motorsagen). Vær forsiktig med kappingen når kvistene er i spenn. De må kappes fra riktig side for ikke å klemme fast sverdet.

Bilde 24



Advarsel! Stå aldri på trestammen ved kvisting.

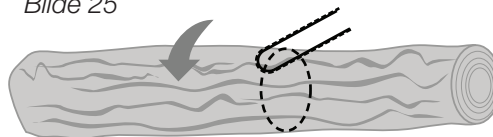
11. Kapping

Ved kapping sages liggende trestokker til kortere lengder. Påse at du står stabilt og har god balanse. Hvis bakken heller, må du stå på oversiden av trestammen ved kapping. Trestokken bør helst ligge i en sagkrakk eller støttes godt opp, ved kapping. Den bør ikke ligge direkte på bakken, dette kan blant annet medføre at kjeder blir sløvet. Hvis trestammen har støtte i begge ender må du starte med å kappe den på midten. Start med å sage gjennom halve stokken fra oversiden. Lag deretter et møtende snitt fra undersiden. Hvis ikke kan sagsverdet kile seg fast. Vær forsiktig så ikke kjedet kommer i kontakt med bakken.

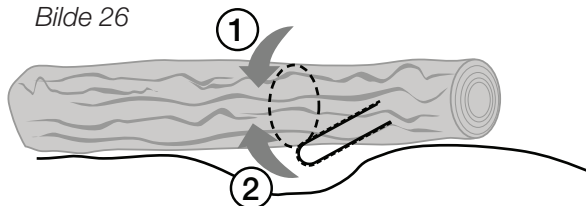
1. En trestamme som har støtte under hele lengden: Sag fra oversiden først. Rull deretter stammen og lag et møtende snitt fra den nye oversiden (bilde 25).
2. Når stokken har støtte i den ene enden, (f.eks. når den ligger i en sagkrakk): Sag fra undersiden først (1/3 av diameteren, for å unngå kiling). Lag deretter et møtende snitt fra oversiden.
3. Dersom stokken har støtte i begge ender: Sag fra oversiden først (1/3 av diameteren, for å unngå kiling). Lag deretter et møtende snitt fra undersiden (bilde 26).

Obs: Den beste måten å kappe på er å bruke støtte, gjerne en sagbukk, og hvis dette ikke er mulig må stammen støttes opp på annen måte. Pass på at trestammen ligger stabilt og sikkert, slik at det ikke glir eller ruller ved saging.

Bilde 25

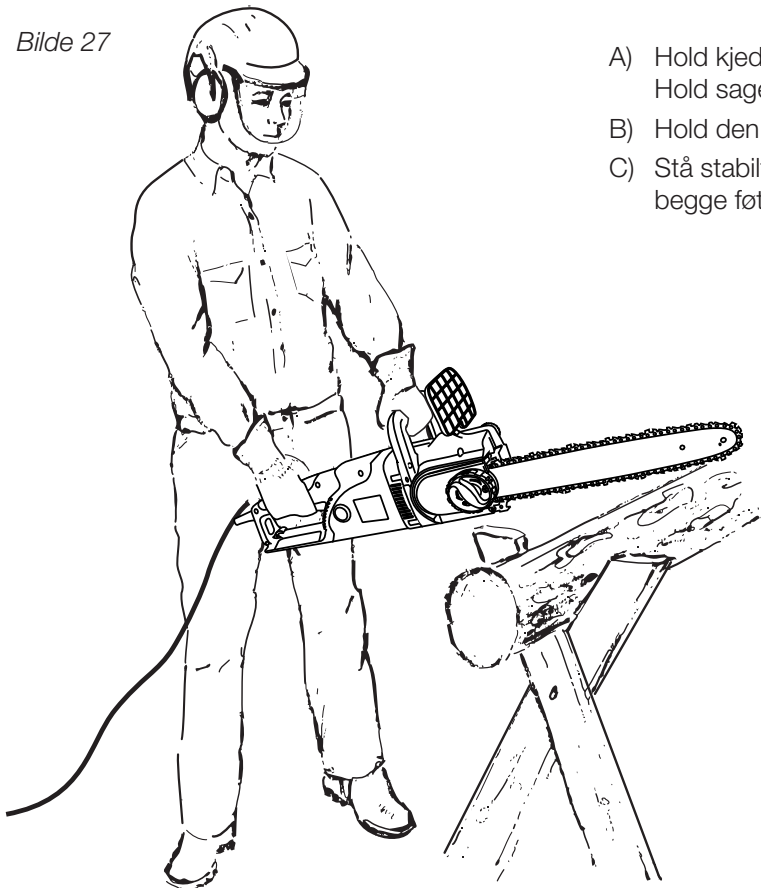


Bilde 26



Kapping med bruk av sagkrakk

Bilde 27



- A) Hold kjedesagen stødig med begge hendene. Hold sagen på din høyre side ved saging.
- B) Hold den venstre armen så rett som mulig.
- C) Stå stabilt og med kroppsvekten godt fordelt på begge føttene.

12. Rengjøring og vedlikehold

Obs! Trekk alltid støpselet ut av strømuttaket før service og justeringer på sagen.

Hold alltid ventilasjonsåpninger fri for spon og smuss. Service og justeringer som er omtalt her i bruksanvisningen kan man utføre selv. Alt annet skal foretas av kyndige fagpersoner. Produktet må ikke modifiseres. Det skal kun brukes til det det er beregnet for.

13. Oppbevaring

Sagen skal oppbevares rent, tørt og på en plan flate. Den må låses inn og være utilgjengelig for barn og andre uvedkommende.

14. Avfallshåndtering

Symbolet viser til at produktet ikke skal kastes sammen med husholdningsavfallet. Dette gjelder i hele EØS-området. For å forebygge eventuelle skader på helse og miljø, som følge av feil håndtering av avfall, skal produktet leveres til gjenvinning, slik at materialet blir tatt hånd om på en ansvarsfull måte. Benytt miljøstasjonene som er der du befinner deg eller ta kontakt med forhandler. De kan se til at produktet blir behandlet på en tilfredsstillende måte som gagnar miljøet.



15. Feilsøking

Feil	Årsak	Løsning
Motoren starter ikke.	Ingen strøm.	Kontroller strømuttak, kabel og støpsel. Skadet strømledning: Skift ut skadede deler. Skadet strømbryter må skiftes av kyndige servicepersoner.
	Kastbeskyttelse/kjedebrems utløst.	Se avsnitt <i>Stille beskytter mot kast/kjedebrems tilbake</i> (se bilde 15).
	Slitte kullbørster.	Lever sagen til service.
Kjedet vil ikke bevege seg.	Kastbeskyttelse/kjedebrems utløst.	Se avsnitt <i>Stille beskytter mot kast/kjedebrems tilbake</i> (se bilde 15).
Dårlig kapasitet.	Kjedet er montert feil.	Kjedet er montert feil vei, kontroller det og rett opp feil.
	Kjedet er sløvt.	Slip kjedet.
	Kjedestrammingen.	Kontroller at kjedet er riktig strammet.
Sagkjede hopper av.	Kjedestrammingen.	Kontroller at kjedet er riktig strammet.
Sagkjedet blir varmt.	Kjedesmøring.	Sjekk oljenivået.
		Kontroller kjedesmøringen.

16. Tekniske data

Effekt	2400 W
Spenning	230 V, 50 Hz
Skjærehastighet	14 m/s
Maks sagedybde	350 mm
Vekt	4,7 kg (uten sverd og kjede)
Lydnivåer	LpA = 93 dB(A), KpA = 3 dB(A) LwA = 106 dB(A), KwA = 3 dB(A)
Vibrasjonsnivå	7,5 m/s ² K = 1,5 m/s ²
Volum på oljetank	110 ml
Kjede	3/8" 52 lenker 1,3 mm
Sverd	35 cm (14")

Ketjusaha 2400 W

Tuotenro 18-3573 Malli SF7J101-24-SLN
40-9509 SF7J101-24-SLN

Lue käyttöohje ennen tuotteen käyttöönottoa ja säilytä se tulevaa tarvetta varten. Pidätämme oikeuden teknisten tietojen muutoksiin. Emme vastaa mahdollisista teksti- tai kuvavirheistä. Jos laitteeseen tulee teknisiä ongelmia, ota yhteys myymälään tai asiakaspalveluun (yhteystiedot käyttöohjeen lopussa).

Sisällysluettelo

1. Turvallisuusohjeet – Sähkökäyttöiset käsityökalut	54
1.1 Yleisiä turvallisuusohjeita – EN 60745-1	54
1.2 Ketjusahaa koskevat varoitukset	55
1.3 Mikä aiheuttaa takapotkun	56
1.4 Takapotkun riskiä vähentäviä toimenpiteitä	56
1.5 Tuotteen merkinnät ja turvallisuussymbolit	57
1.6 Turvallisuusohjeet	57
2. Kuvaus	58
3. Ennen käynnistämistä	59
3.1 Terälevyn ja teräketjun asentaminen	59
3.2 Ketjun kireys	60
3.3 Ketjuöljyn täyttö	61
3.4 Jatkojohdon kiinnittäminen ketjusahaan	61
3.5 Ketjun voitelu	61
3.6 Terälevy	62
3.7 Takapotkusuoja/Ketjujarru	62
4. Teräketjun teroittaminen	63
5. Ketjusahan käytön aloittaminen	63
5.1 Ketjusahaa koskevia turvallisuustoimenpiteitä	63
5.2 Ota seuraavat asiat huomioon ketjusahalla työskennellessä	64
5.3 Ylikuormituksen merkkivalo	64
6. Ketjusahan käyttövinkkejä	64
7. Ota huomioon seuraavat asiat	64
8. Jännittyneen puun sahaaminen	65
9. Puiden kaataminen	66
10. Karsiminen	67
11. Katkaiseminen	68
12. Huolto ja puhdistaminen	69
13. Säilytys	69
14. Kierrättäminen	69
15. Vianhaku	69
16. Tekniset tiedot	69

Varoitus! Vältä sähköiskut, tulipalot ja loukkaantumiset noudattamalla alla olevia yleisiä turvallisuusohjeita, kun käytät sähkökäyttöistä käsityökalua.
Poista aina pistoke pistorasiasta ennen laitteen huoltoa ja säätöä.

1. Turvallisuusohjeet – Sähkökäyttöiset käsityökalut

1.1 Yleisiä turvallisuusohjeita – EN 60745-1

Varoitus! Lue kaikki ohjeet. Alla olevien ohjeiden noudattamatta jättäminen saattaa johtaa sähköiskuun, tulipaloon tai vakavaan loukkaantumiseen. Varoitus tekstin termi sähkökäyttöinen käsityökalu tarkoittaa verkkovirralla ja akulla toimivaa käsityökalua.

SÄÄSTÄ NÄMÄ OHJEET.

1) Työtilat

- Pidä työtilat puhtaina ja hyvin valaistuina.** Täynnä tavaraa olevat ja pimeät tilat lisäävät onnettomuusriskiä.
- Älä käytä sähkökäyttöistä käsityökalua räjähdysriskissä ympäristössä, kuten helposti syttyvien nesteiden, kaasujen tai pölyn lähellä.** Sähkökäyttöiset käsityökalut muodostavat kipinöitä, jotka saattavat sytyttää pölyn tai höyryt.
- Pidä lapset ja muut ihmiset loitolla, kun käytät sähkökäyttöisiä käsityökaluja.** Tarkkaavaisuuden menettäminen saattaa johtaa onnettomuuteen.

2) Sähköturvallisuus

- Sähkökäyttöisen käsityökalun pistokkeen tulee sopia pistorasiaan. Älä muuta pistoketta millään tavalla. Älä käytä sovitinta maadoitettujen sähkökäyttöisten käsityökalujen kanssa.** Muuttamaton pistoke ja sopiva pistorasia vähentävät sähköiskun vaaraa.
- Vältä koskettamasta maadoitettuja esineitä, kuten putkia, lämpöpattereita, liettä tai jääkaappia.** Sähköiskun vaara kasvaa, jos kehosi on maadoitettu.
- Älä altista sähkökäyttöistä käsityökalua sateelle äläkä käytä sitä kosteissa olosuhteissa.** Veden joutuminen sähkökäyttöiseen käsityökaluun lisää sähköiskun vaaraa.
- Käsittele virtajohtoa varoen. Älä kanna laitetta virtajohdosta äläkä irrota pistoketta pistorasiasta johdosta vetämällä. Älä altista virtajohtoa kuumuudelle, öljyille, teräville reunoille tai liikkuville osille.** Sotkeutuneet tai vahingoittuneet virtajohdot lisäävät sähköiskun vaaraa.
- Jos käytät sähkökäyttöistä käsityökalua ulkona, käytä ainoastaan ulkokäyttöön sopivia jatkojohtoja.** Ulkokäyttöön sopivan jatkojohdon käyttäminen pienentää sähköiskun vaaraa.
- Jos käytät sähkökäyttöistä käsityökalua kosteassa ympäristössä, laite tulee liittää sähköverkkoon vikavirtasuojakytkimen kautta.** Vikavirtasuojakytkimen käyttö vähentää sähköiskun vaaraa.

3) Oma turvallisuutesi

- Ole huolellinen ja käytä tervettä järkeä, kun käytät sähkökäyttöistä käsityökalua. Älä käytä sähkökäyttöistä käsityökalua, jos olet väsynyt tai päihteiden, lääkkeiden tai alkoholin vaikutuksen alainen.** Lyhyenkin hetken kestävä tarkkaavaisuuden herpaantuminen saattaa johtaa vakavaan loukkaantumiseen.
- Käytä suojarusteita. Käytä aina suojalaseja.** Suojarusteiden, kuten hengityssuojaimen, liukuestekenkien, kypärän ja kuulosuojaimien käyttäminen vähentää loukkaantumisvaaraa.
- Vältä laitteen tahatonta käynnistämistä. Varmista, että virtakytkin on asennossa OFF ennen kuin liität pistokkeen pistorasiaan.** On äärimmäisen vaarallista kantaa sähkökäyttöistä käsityökalua sormi liipaisimella tai liittää sähkökäyttöinen käsityökalu pistorasiaan virtakytkimen ollessa ON-asennossa.
- Poista kaikki huoltotyökalut/avaimet, ennen kuin käynnistät sähkökäyttöisen käsityökalun.** Sähkökäyttöisen työkalun liikkuvan osan päälle unohdettu työkalu saattaa johtaa onnettomuuteen.
- Älä kurota liian kauas. Varmista, että seisot tasapainoisesti työn jokaisessa vaiheessa.** Näin hallitset laitteen paremmin ylläpitävissä tilanteissa.
- Käytä tarkoituksenmukaisia vaatteita. Älä pidä löysiä vaatteita tai koruja. Pidä hiukset, vaatteet ja käsineet loitolla koneen liikkuvista osista.** Löysät vaatteet, korut tai pitkät hiukset saattavat takertua liikkuviin osiin.
- Jos käytössäsi on pölynpoistojärjestelmä, käytä sitä.** Sen käyttö vähentää pölyyn liittyviä vaaroja.

4) Sähkökäyttöisten käsityökalujen käyttäminen ja huoltaminen

- a) **Älä pakota sähkökäyttöistä käsityökalua. Käytä vain sellaista sähkökäyttöistä käsityökalua, joka soveltuu suunnittelemaasi työtehtävään.** Oikean työkalun käyttö on tehokkaampaa ja turvallisempaa sille tarkoitetulla syöttönopeudella.
- b) **Älä käytä sähkökäyttöistä käsityökalua, jos virtakytkin ei käynnistä ja sammuta laitetta.** Kaikki sähkökäyttöiset käsityökalut, joita ei voida hallita virtakytkimellä, ovat vaarallisia ja ne tulee korjata.
- c) **Irrota pistoke pistorasiasta ennen kuin teet sähkökäyttöiseen käsityökaluun säätöjä, vaihdat sen varusteita tai ennen kuin asetat sen säilytykseen.** Nämä ennaltaehkäisevät toimenpiteet vähentävät sähkökäyttöisen käsityökalun tahatonta käynnistymistä.
- d) **Säilytä sähkökäyttöisiä käsityökaluja lasten ulottumattomissa. Älä luovuta sähkökäyttöistä käsityökalua henkilöille, jotka eivät tunne sitä tai sen käyttöohjetta.** Sähkökäyttöiset käsityökalut ovat vaarallisia tottumattomien käyttäjien käsissä.
- e) **Huolla sähkökäyttöisiä käsityökaluja. Varmista, että kaikki asetukset on tehty oikein, kaikki liikkuvat osat liikkuvat esteettä ja että mikään muu seikka ei häiritse sähkökäyttöisen käsityökalun toimintaa. Jos jokin osa on vahingoittunut, se tulee korjata ennen käyttöä.** Monet onnettomuudet johtuvat huonosti huolletuista sähkökäyttöisistä käsityökaluista.
- f) **Pidä työkalut puhtaina ja terävinä.** Kunnolla huolletut terävät terätyökalut vähentävät juuttumisen vaaraa, ja niitä on helpompi hallita.
- g) **Käytä sähkökäyttöistä käsityökalua ja sen varusteita ohjeiden mukaisesti ja kyseiselle sähkökäyttöiselle käsityökalulle sopivalla tavalla. Ota myös huomioon työskentelyolosuhteet ja suoritettava työ.** Sähkökäyttöisen käsityökalun käyttäminen muihin kuin sille tarkoitettuihin työtehtäviin saattaa johtaa vaaratilanteeseen.

5) Huolto

- a) **Laitteen saa huoltaa ja korjata ainoastaan ammattihenkilö, ja huollossa tulee käyttää ainoastaan alkuperäisosia.** Näin taataan sähkökäyttöisen käsityökalun turvallisuus.

1.2 Ketjusahaa koskevat varoitukset

- **Varmista, ettei liikkuva ketju koske käyttäjään missään vaiheessa. Varmista ennen käynnistämistä, ettei teräketju kosketa mihinkään.** Lyhyenkin hetken kestävä tarkaavaisuuden herpaantuminen saattaa johtaa siihen, että teräketju osuu käyttäjään tai vaatteisiin.
- **Pidä aina kiinni ketjusahan takakahvasta oikealla kädellä ja etukahvasta vasemmalla kädellä.** Loukkaantumisvaara kasvaa, jos pidät kiinni ketjusahan kahvoista väärillä käsillä.
- **Käytä suojalaseja ja kuulosuojaimia. Henkilökohtaisten suojarusteiden, kuten suojakäsineiden, kypärän, suojahousujen ja suojavaarusteiden käyttö on suositeltavaa.** Oikeat suojarusteet vähentävät lentävien esineiden ja teräketjun aiheuttamaa loukkaantumisvaaraa.
- **Älä käytä ketjusahaa puussa.** Ketjusahan käyttäminen puussa saattaa johtaa loukkaantumiseen.
- **Varmista, että seisot tasapainoisesti. Käytä ketjusahaa ainoastaan tasaisella ja turvallisella alustalla.** Liukkaat tai epävakaat työasennot esim. tikkaiden päällä saattavat johtaa tasapainon tai ketjusahan hallinnan menettämiseen.
- **Ole erityisen varovainen sahatessasi paksua runkoa tai oksaa, joka on jännittynyt, sillä se saattaa ponnahtaa voimalla sinua kohti.** Kun puun jännitys laukeaa, puun jännittynyt osa saattaa singota voimalla kohti käyttäjää tai ketjusahaa, mikä saattaa aiheuttaa vakavan vaaratilanteen.
- **Ole erittäin varovainen sahatessasi pensaita ja versoja.** Ohuet oksat saattavat juuttua teräketjuun ja lennähtää sinua päin tai aiheuttaa tasapainon menettämisen.
- **Kun kannat ketjusahaa, sammuta moottori ja pidä kiinni etukahvasta niin, että terälevy osoittaa pois päin sinusta. Terälevyn suojan tulee olla aina asennettuna kuljetuksen ja säilytyksen aikana.** Ketjusahan oikea käsittely vähentää riskiä, että pyörivä teräketju koskee vieraaseen esineeseen.
- **Noudata voiteluohjeita ja varusteiden vaihtamisesta ja teräketjun kireydestä annettuja ohjeita.** Väärällä kireydellä oleva tai väärin voideltu teräketju saattaa katketa tai lisätä takapotkun vaaraa.

- **Pidä kahvat puhtaina ja kuivina. Varmista, että kahvoissa ei ole öljyä tai polttoainetta.** Rasvaiset ja öljyiset kahvat ovat liukkaita ja saattavat johtaa ketjusahan hallinnan menettämiseen.
- **Sahaa vain puuta. Käytä ketjusahaa vain sille suunniteltuun käyttötarkoitukseen. Esimerkki: Älä sahaa muovia, tiiliä tai muita rakennusmateriaaleja, jotka eivät ole puuta.** Ketjusahan käyttäminen muihin käyttötarkoituksiin saattaa johtaa vaaratilanteeseen.

1.3 Mikä aiheuttaa takapotkun

- Takapotkun, eli moottorisahan äkkinäisen ja voimakkaan liikkeen kohti käyttäjää, saattaa aiheuttaa teräketjun tai terälevyn kärjen kosketus kohteeseen tai terälevyn juuttuminen sahausuraan.
- Kontakti terälevyn kärjen, eli takapotkusektorin, kanssa saattaa aiheuttaa takapotkun.
- Teräketjun yläosan juuttuminen sahausuraan saattaa aiheuttaa takapotkun.
- Yllä olevat seikat saattavat johtaa sahan hallinnan menettämiseen ja vakaviin henkilövahinkoihin. Älä luota pelkästään sahan turvallisuustoimintoihin. Ketjusahan käyttäjän tulee aina suorittaa kaikki toimenpiteet, jotka saattavat estää ketjusahan käytöstä aiheutuvat onnettomuudet ja vahingot.

1.4 Takapotkun riskiä vähentäviä toimenpiteitä

Ketjusahan takapotku aiheutuu käyttövirheestä ja/tai väärästä käyttöympäristöstä. Takapotkun voi välttää noudattamalla alla olevia turvallisuusohjeita.

- **Pidä ketjusahan kahvoista tukevasti kiinni molemmilla käsillä. Peukalon ja muiden sormien tulee olla kahvan ympärillä. Pidä vartalo ja kädet hyvässä asennossa, jotta pystyt vastaamaan mahdolliseen takapotkuun mahdollisimman hyvin.** Käyttäjä pystyy kontrolloimaan takapotkun, jos hän on noudattanut turvallisuusohjeita. Älä päästä irti kahvoista.
- **Älä kurota liikaa eteen tai sivuille äläkä sahaa hartioiden yläpuolella.** Nämä ohjeet auttavat välttämään terälevyn kärjen tahatonta kosketusta puuhun ja parantavat ketjusahan hallittavuutta yllättävissä tilanteissa.
- **Käytä vain ketjusahan valmistajan suosittelemia terälevyjä ja teräketjuja.** Vääränlaisen terälevyn tai teräketjun käyttäminen saattaa aiheuttaa teräketjun katkeamisen tai takapotkun.
- **Noudata valmistajan ohjeita koskien teroitusta ja huoltoa.** Jos syvydensäätohampaita hiotaan liikaa, seurauksena saattaa olla takapotku.
- **Pidä kiinni ainoastaan ketjusahan eristetyistä otepinnoista, koska teräketju saattaa joutua kosketuksiin piilossa olevien sähköjohtojen tai ketjusahan sähköjohdon kanssa.** Jos teräketju joutuu kosketuksiin jännitteisten johtojen kanssa, saattavat ketjusahan metallipinnat tulla jännitteisiksi, mikä saattaa aiheuttaa sähköiskun.

1.5 Tuotteen merkinnät ja turvallisuussymbolit

Varoitus!



Varoitus!



Lue käyttöohje.
Lue koko käyttöohje ja noudata turvallisuusohjeita ja varoituksia.



Käytä aina suojalaseja/visiiriä. Lentävien esineiden vaara.



Käytä kuulosuojaimia.



Suojaa ketjusahaa sateelta ja kosteudelta.



Irrota pistoke välittömästi, mikäli johto vioittuu. Älä koske johtoon, vaan ainoastaan pistokkeeseen!



Melutaso LwA

1.6 Turvallisuusohjeet

Väärin:



Älä sahaa teräketjun kärjellä.



Teräketjun kärjellä sahaaminen saattaa aiheuttaa takapotkun, eli ketjusahan nopean ja voimakkaan lennähtämisen kohti käyttäjää.



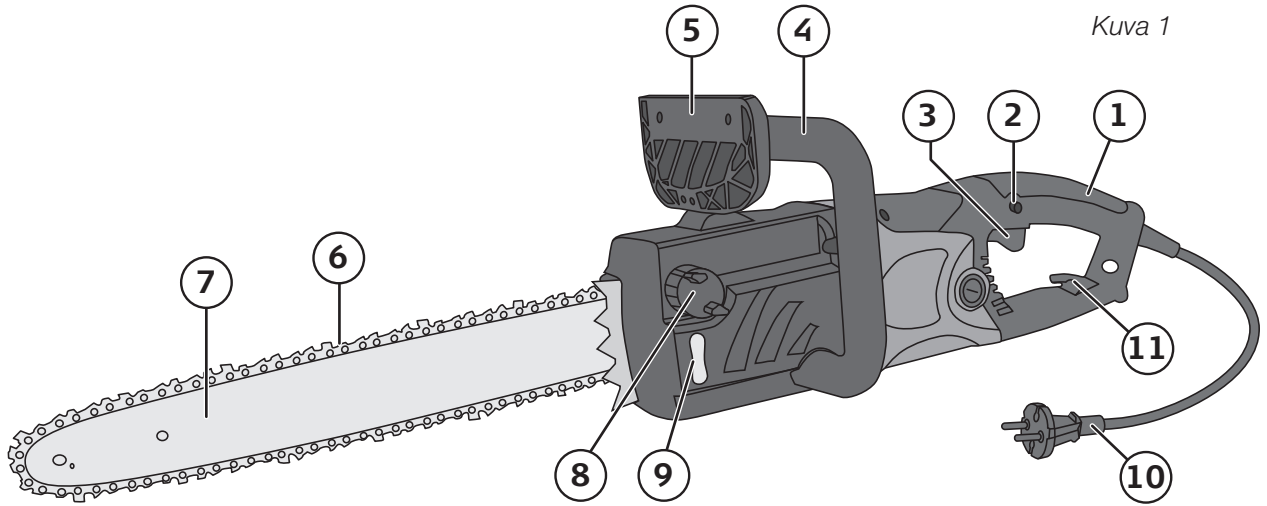
Älä pidä kiinni ketjusahasta yhdellä kädellä missään vaiheessa, sillä se lisää takapotkun ja sahan hallinnan menettämisen vaaraa.

Oikein:

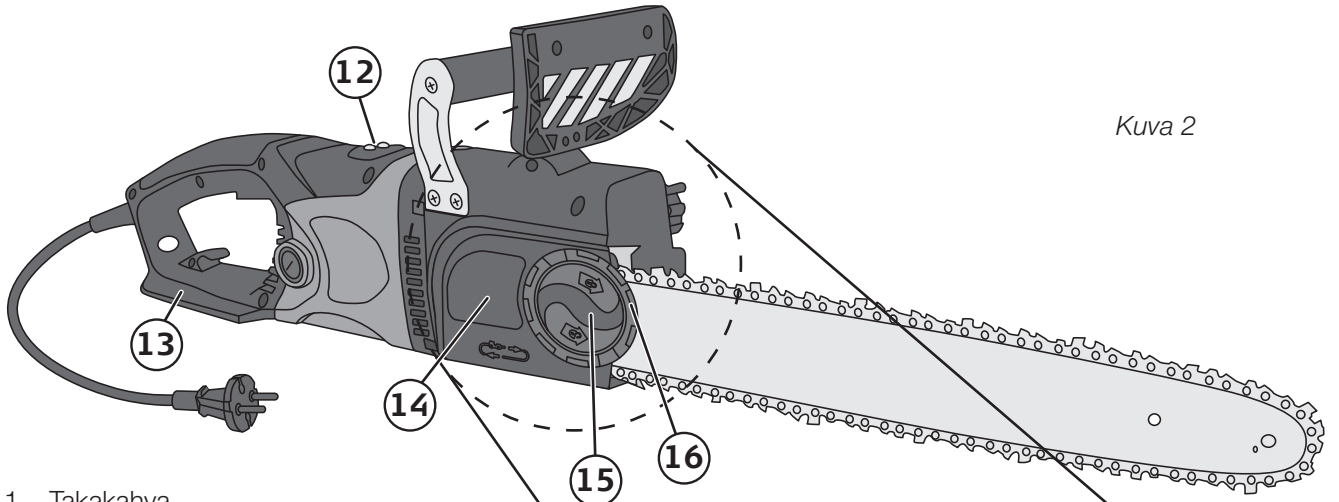


Pidä sahasta aina kiinni molemmiin käsiin. Oikean käden tulee olla kiinni takakahvassa ja vasemman käden etukahvassa.

2. Kuvaus

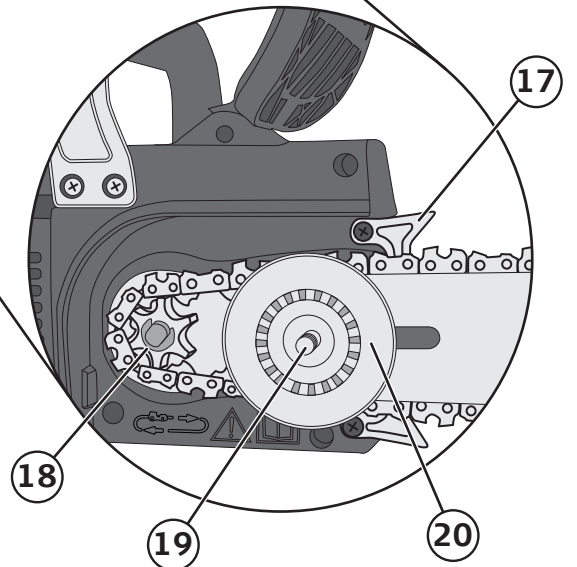


Kuva 1



Kuva 2

1. Takakahva
2. Turvalukitsin
3. Virtakytkin
4. Etukahva
5. Takapotkusuoja/ketjujarrun palautus
6. Teräketju
7. Terälevy
8. Öljysäiliön kansi
9. Öljysäiliö/öljytason näyttö
10. Virtajohto
11. Johdon kiinnitin
12. Ylikuormituksen merkkivalo
13. Taaempi sormisuoja/ketjunkatkeamissuoja
14. Vetopyörän kupu
15. Keskikampi
16. Ketjun kireyden säätökampi
17. Kuorituki
18. Vetopyörä
19. Terälevyn pultti
20. Ketjun kireyden säätöpyörä



3. Ennen käynnistämistä

- Varmista, että ketjusahan merkkikilvessä ja pistorasiassa on sama jännite.
- Varmista aina ennen ketjusahan käynnistämistä, että ketjusaha ei ole vahingoittunut ja että sen käyttö on turvallista. Varmista myös, että teräketjun voitelu toimii ja että öljysäiliössä on ketjuöljyä (katso kuva 8). Lisää ketjuöljyä viimeistään, kun öljyn taso on laskenut MIN-merkintään. Voitelu toimii hyvin, kun öljyn taso on MIN-merkinnän yläpuolella. Tarkista ketjun voitelu seuraavalla tavalla: Käynnistä ketjusaha ja pidä terälevyä noin 20 cm:n korkeudella puun tai muun vaalean kohteen päällä. Jos ketjun voitelu toimii kunnolla, pyörivästä teräketjusta lentää öljyä, joka näkyy vaaleassa kohteessa. Jos kohteessa ei näy öljyä, puhdista öljyn ulostuloaukko (Kuva 12,B) ja terälevyn ylempi reikä (Kuva 11, E) tai ota yhteys jälleenmyyjään tai huoltopisteeseen. (Lue kohta *Ketjuöljyn täyttäminen ja ketjun voitelu*).
- Tarkista ketjun kireys ja säädä tarvittaessa (Lue kappale *Ketjun kireys*). Tarkista takapotkusuojan/ketjujarrun toiminta (Lue kohta *Takapotkusuojan/ketjujarrun palauttaminen*).

Huom.! Ketjusaha käynnistyy hitaasti, ja se kiihtyy täysille kierroksille noin kolmessa sekunnissa.

3.1 Terälevyn ja teräketjun asentaminen

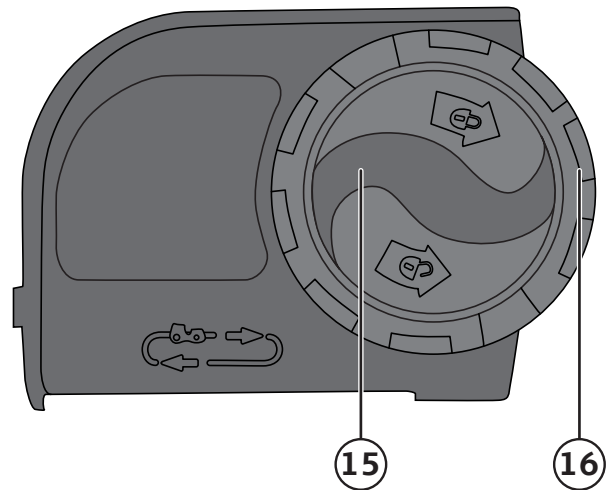
Kuvaus

Terälevyä ja teräketjua ei ole asennettu toimitusvaiheessa. Ketjusahassa on uudenlainen kaksiosainen ketjun kireyden säätötapa ja terälevyn lukitus:

A. Yhdistetty kiristys-/lukitusnappi, joka on ketjukotelossa

Kiristys-/lukitusnappi koostuu kahdesta osasta: Keskivipu (15) terälevyn lukitsemista varten (ja ketjun kireyden säädön lukitsemista varten) ja ulompi vipu (16) ketjun kireyden säätämiseksi.

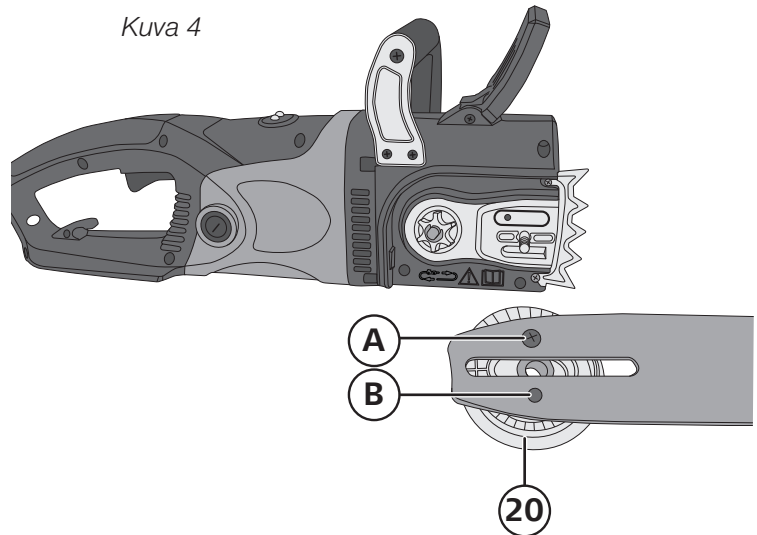
Kuva 3



B. Terälevyn asennettu ketjun kireyden säätönappi

Säätönappi (20) on asennettu terälevyn sen alemmasta reiästä ruuvilla (A) ja ylemmän reiän ohjaustapista (B). (Katso kuva 4)

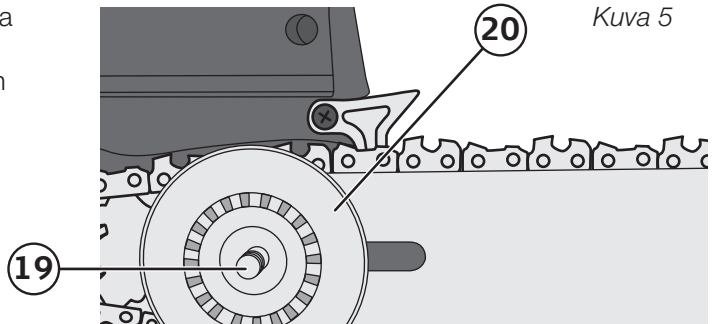
Kuva 4



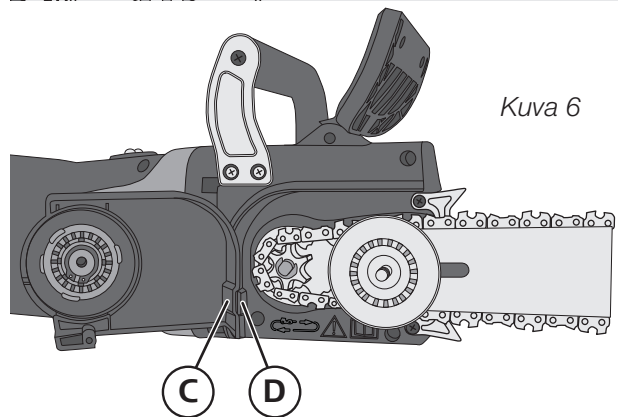
Asenna teräketju ja terälevy seuraavalla tavalla

Huom.! Pistoke ei saa olla pistorasiassa.

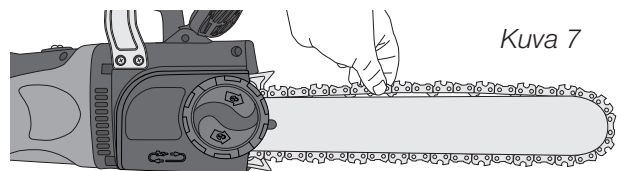
1. Kierrä keskivipua (15) vastapäivään ja irrota ketjukotelo (14).
2. Terälevyssä on asennettuna säätönuppi (20). Käännä terälevyä siten, että säätönuppi on terälevyn ulkopuolella. Asenna terälevy niin, että terälevypultti menee säätönupin reiän läpi (katso kuva 5).
3. Kierrä säätönuppia vastapäivään niin pitkälle kuin mahdollista.
4. Käännä teräketjua niin, että terälevyn yläpuolella olevan teräketjun leikkuuhampaat osoittavat kohti terälevyn kärkeä (teräketju vetää terälevyn alapuolella ja työntää terälevyn yläpuolella).



5. Asenna teräketju niin, että ketju osuu vetopyörään ja ohjausuraan koko terälevyn pituudelta. (katso kuva 6)
6. Kierrä säätönuppia myötäpäivään ja kiristä ketjua varoen. Varmista, että ketju liikkuu oikein terälevyssä ja vetopyörässä.
7. Asenna vetopyörän kupu (14) sovittamalla kuvun takareunan korko (C) sahan reikään (D) ja taita sen jälkeen kupu niin, että keskivivun (15) pultti on terälevyn pulttia (19) vasten. Kierrä keskivipua (15) myötäpäivään, kunnes se osuu terälevyn pultiin (19) kierteisiin, ja kiristä ketju kiertämällä ulompaa vipua (16) myötäpäivään. (Keskivipu (15) on tarkoitettu ainoastaan terälevyn lukitsemiseen ja ulompi kampi (16) ketjun kiristämiseen).



8. Ketjun kireyden säätäminen: Kun teräketju on säädetty oikein, teräketjua voi nostaa noin 5 mm terälevyn keskiosasta. Säädä kireyttä tarvittaessa: Avaa mustaa keskivipua (5) hieman kiristimen/lukitusnupin avulla. Säädä ketjun kireys kiertämällä ulompaa nuppia (16). Lukitse terälevy ja säädetty ketjun kireys kiristämällä musta keskivipu.



3.2 Ketjun kireys

Huom.! Irrota aina pistoke pistorasiasta ennen ketjusahan huoltoa ja säätöä.

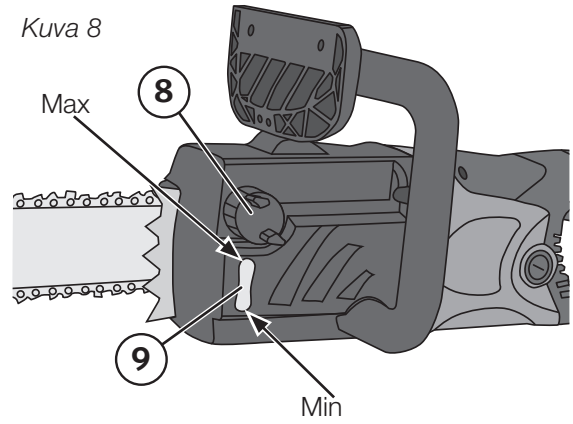
Käytä suojakäsineitä!

Säädä ketjun kireys

1. Tarkista ensin ketjun kireys: Kun teräketju on säädetty oikein, teräketjua voi nostaa noin 5 mm terälevyn keskiosasta.
2. Säädä tarvittaessa: Avaa mustaa keskivipua (15) hieman kiristimen/lukitusnupin avulla. Säädä ketjun kireys kiertämällä ulompaa nuppia (16) (Kuva 3).
3. Lukitse terälevy ja säädetty ketjun kireys kiristämällä mustaa keskikampea (tarkasta ennen kiristämistä, että teräketju on oikeassa kohdassa vetopyörässä ja terälevyn ohjausurassa koko matkalta).

3.3 Ketjuöljyn täyttö

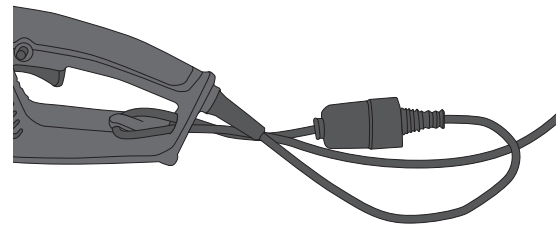
Puhdista öljysäiliön (8) kansi ennen avaamista, jotta öljysäiliöön ei joudu roskaa. Avaa kansi auki ja lisää ketjuöljyä. Öljyn tason näkee öljysäiliöstä (9) täyttöreiän alapuolella. Täytä säiliö täyteen, laita kansi takaisin paikalleen ja pyyhi pois mahdollinen ylivalunut öljy.



3.4 Jatkojohdon kiinnittäminen ketjusahaan

Käytä ainoastaan ulkokäyttöön sopivia jatkojohtoja, joissa on riittävä johtimen pinta-ala (vähintään 1,5 mm², pituus enintään 75 metriä). Kiinnitä jatkojohto takakahvaan kuvan osoittamalla tavalla. Yli 30 metrin pituisen jatkojohdon käyttäminen saattaa aiheuttaa jännitehäviötä, mikä heikentää ketjusahan käytettävyyttä.

Kuva 9

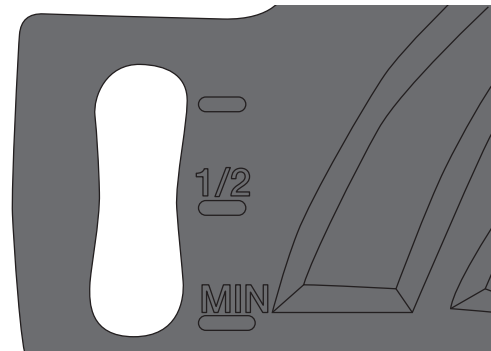


3.5 Ketjun voitelu

Teräketjua ja terälevyä pitää voidella käytön aikana. Voitelun puuttuminen johtaa osien vaurioitumiseen. Ketjun voitelu tapahtuu automaattisesti. Älä sahaa ilman toimivaa ketjuvoitelua. Sekä terälevy että teräketju vahingoittuvat nopeasti ilman voitelua. Tämän vuoksi voitelun toiminta ja öljytaso tulee tarkistaa jokaisella käyttökerralla. (Kuva 10) Älä käytä sahaa öljytason ollessa alle "MIN"-tason.

- **Vähintään:** Täytä säiliöön lisää öljyä, kun öljyn taso laskee alle MIN-merkinnän tai 5 mm alle öljysäiliön (15) ikkunan alaosaan.
- **Enintään:** Täytä öljyä, kunnes koko "ikkuna" on täynnä.

Kuva 10



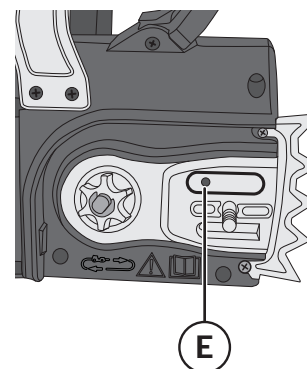
Ketjun voitelun tarkistaminen

Käynnistä ketjusaha ja pidä terälevyä noin 20 cm:n korkeudella puun tai muun vaalean kohteen päällä. Jos ketjun voitelu toimii kunnolla, pyörivästä teräketjusta lentää öljyä, joka näkyy vaaleassa kohteessa. Jos kohteessa ei näy öljyä, puhdista öljyn ulostuloaukko (E) ja terälevyn ylempi reikä (B) (katso kuva 11, 12), tai ota yhteys jälleenmyyjään tai huoltopisteeseen. Ole varovainen, jotta teräketju ei koske maahan voitelun tarkistamisen yhteydessä.

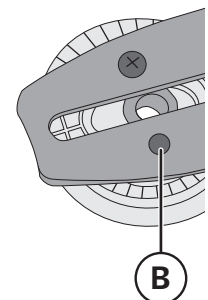
Ketjuöljy

Terälevyn ja teräketjun käyttöikä riippuvat käytettävästä ketjuöljystä. Käytä ainoastaan ketjuöljyä, älä koskaan muita öljyjä. Käytä ympäristöystävällistä ketjuöljyä ja säilytä öljyä sille tarkoitettussa tiiviissä säiliössä.

Kuva 11



Kuva 12



3.6 Terälevy

Terälevy (7) kuluu eniten kärjestä ja alapuolelta. Käännä terälevy teräketjun teroittamisen yhteydessä, niin terälevy kuluu tasaisemmin molemmilta puolilta. Jos terälevyssä on teräviä jäysteitä, viilaa ne pois litteällä viilalla.

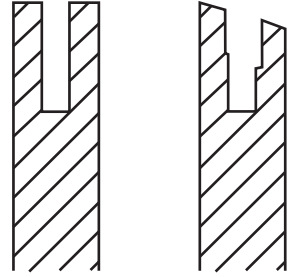
Vetopyörä

Vetopyörä (18) kuluu huomattavasti. Vaihda vetopyörä uuteen, jos siinä on kulumisen jälkiä tai se on vahingoittunut. Kulunut vetopyörä kuluttaa uuden teräketjun nopeasti. Jos vetopyörä pitää vaihtaa, ota yhteys jälleenmyyjään tai huoltoliikkeeseen.

Teräsuojus

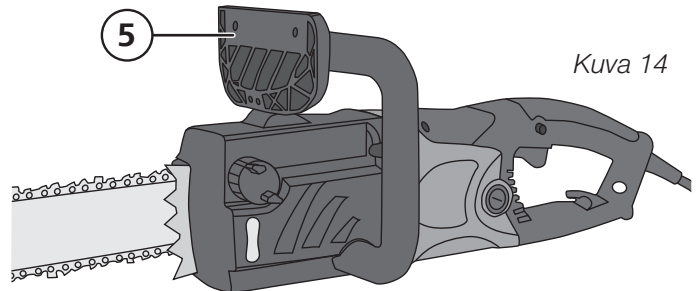
Laita teräsuojus paikoilleen heti sahaamisen jälkeen, ja pidä teräsuojusta paikallaan aina säilytyksen ja kuljetuksen aikana.

Kuva 13



3.7 Takapotkusuoja/Ketjujarru

Takapotkun sattuessa ketjujarru aktivoituu, kun käyttäjän käsi painaa takapotkusuojan (5) eteenpäin, jolloin teräketju pysähtyy välittömästi (Kuva 8).



Kuva 14

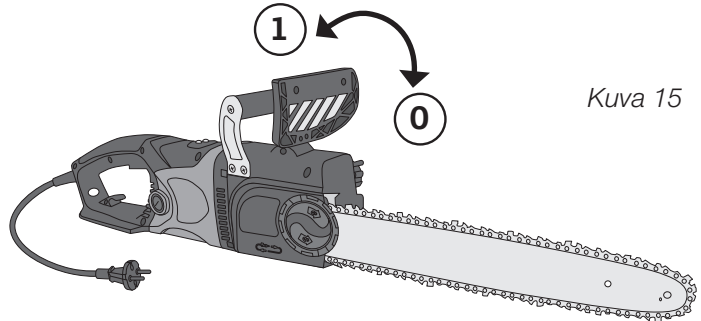
Takapotkusuojan testaaminen

Varoitus! Ketjujarrun toiminta tulee testata ennen jokaista käyttökertaa.

Pidä ketjusahasta tukevasti kiinni molemmilla käsillä, käynnistä saha ja paina kädellä ketjujarrusuoja eteen kohti asentoa 0, teräketjun tulee pysähtyä välittömästi.

Takapotkusuojan/ketjujarrun palauttaminen

Lauennut ketjujarru pitää palauttaa ennen kuin ketjusaha voidaan käynnistää uudelleen. Sammuta ketjusaha (päästä virtakytkin), paina takapotkusuoja (5) taaksepäin, kunnes se lukittuu taka-asentoon (Kuva 8). Ketjujarru on nyt palautettu.



Kuva 15

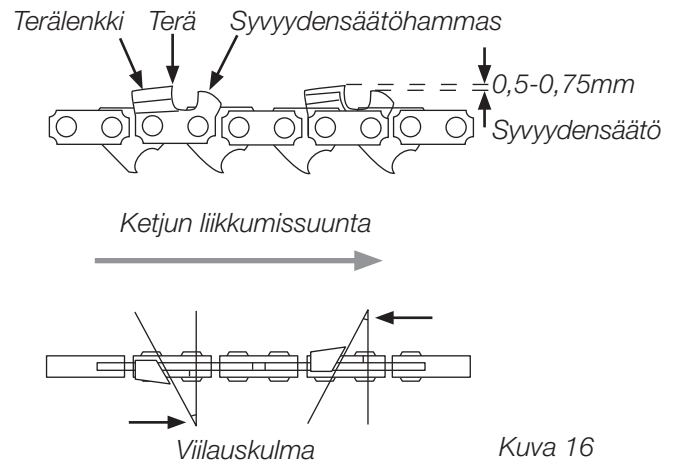
4. Teräketjun teroittaminen

Kun teräketju tylsyy eikä enää sahaa tehokkaasti ja turvallisesti, se tulee teroittaa (viilata) tai vaihtaa.

Huom.! Viilaaminen sujuu helpoimmin, kun käytetään viilamallia. Lue viilamallin käyttöohje ennen viilaamisen aloittamista.

Viilaa ketju seuraavalla tavalla:

- Irrota virtajohdon pistoke pistorasiasta.
- Suojaa kädet suojakäsineillä.
- Tarkasta ketjun kireys.
- Käytä pyöreää viilaa, jonka halkaisija on 4 mm.
- Viilaa vaakasuoraan (horisontaalisesti) kohti terälevyä 30:een kulmassa terän liikkumissuuntaan nähden.
- Viilaa jokainen liike ulospäin/eteenpäin ketjun liikesuuntaan nähden.
- Viilaa jokainen terä yhtä monella vedolla, jotta teräketju teroituu tasaisesti ja symmetrisesti.
- Tarkista syvyydensäätöhampaiden korkeus joka viidennellä teroituskerralla. Mikäli syvyydensäätöhampaat kaipaavat viilausta, viilaa ne litteällä viilalla. Alkuperäinen profiili on syytä säilyttää.
- Mittaa syvyydensäätöhampaiden korkeus (syvyydensäätö) teroituksen jälkeen tarkoitukseen sopivalla mallilla.



Kuva 16

5. Ketjusahan käytön aloittaminen

Huom.! Käytä aina suojalaseja/visiiriä, kuulosuojaimia, suojakäsineitä ja suojavaatteita, joissa on sahausuoja!

Käytä ainoastaan ulkokäyttöön sopivia jatkojohtoja, joissa on riittävä johtimen pinta-ala (vähintään 1,5 mm², pituus enintään 75 metriä). Ketjusahassa on turvakytkin: Takakahvassa (1) on käynnistyksen esto, joka tulee painaa sisään, ennen kuin virtakytkintä voi painaa. Pidä kiinni ketjusahasta tukevasti molemmilla käsillä käynnistyksen aikana.

Jos moottori ei käynnisty, tarkista onko takapotkusuoja/ketjujarru lauennut: Paina takapotkusuojaa (5) taaksepäin. Katso kohta 3.7 Takapotkusuoja/Ketjujarru, Takapotkusuojan/ketjujarrun palauttaminen (Kuva 15). Ketjusaha käynnistyy pehmeästi ja kiihtyy täysille kierroksille muutamassa sekunnissa.

Ketjusahan sammuttaminen

Ketjusaha pysähtyy välittömästi, kun päästät virtakytkimen (3) ja käynnistyksen eston (2).

Toimenpiteet sahauksen lopettamisen jälkeen

Puhdista teräketju ja terälevy, laita teräsuoja paikoilleen.

5.1 Ketjusahaa koskevia turvallisuustoimenpiteitä

Huom.! Älä käytä sahaa sateella tai hyvin kostealla ilmalla.

Huom.! Irrota pistoke välittömästi pistorasiasta, mikäli johto vioittuu. Älä koske johtoon, vaan ainoastaan pistokkeeseen! Älä käytä vioittuneita jatkojohtoja.

Tarkista että ketjusaha ei ole vahingoittunut. Tarkista myös ennen käyttöä, että ketjusahan suojat ja turvalaitteet toimivat, ja että mikään osa ei ole vioittunut. Varmista, että kaikki liikkuvat osat liikkuvat esteettä ja toimivat hyvin. Kaikkien osien tulee olla oikein asennettu ja täyttää vaatimukset, jotta ketjusaha toimii käyttäjälle turvallisella tavalla. Vioittuneet turvalaitteet ja muut osat tulee korjata tai vaihtaa, jos käyttöohjeessa ei anneta muita ohjeita. Korjauksen saa suorittaa vain huoltoliikkeessä.

5.2 Ota seuraavat asiat huomioon ketjusahalla työskennellessä

Takapotku

- Takapotku on liike, jossa ketjusaha lennähtää voimalla ylös- ja taaksepäin kohti käyttäjää. Takapotkun yleisin syy on terälevyn kärjen koskettaminen johonkin esineeseen.
- Älä sahaa terälevyn kärjellä. Terälevyn kärjellä sahaaminen saattaa johtaa takapotkuun.
- Käytä aina suojalaseja/visiiriä, kuulosuojaimia, suojakäsineitä ja suojavaatteita ja turvakenkiä, joissa on sahausuoja!
- Varmista, että sahattava puukappale on kunnolla kiinni. Kiinnitä puukappale tarvittaessa siihen soveltuvilla välineillä. Tämä koskee erityisesti pyöreitä ja suoria puukappaleita, jotka saattavat pyöriä sahanterän koskettaessa puun pintaa. Kun puukappale on kiinnitetty kunnolla, myös sahan käsittely kahdella kädellä sujuu helpommin.
- Takapotku johtaa myös usein teräketjun tylsymiseen. Liian tylsä teräketju lisää takapotkun vaaraa. Älä koskaan käytä sahaa hartioidesi yläpuolella.
- Teräketjun teroittaminen/viilaaminen on erittäin tärkeää turvallisuuden kannalta. Huonosti teroitettu teräketju tekee ketjusahan käytöstä vaarallista ja epämiellyttävää.

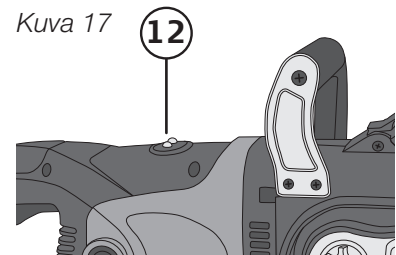
5.3 Ylikuormituksen merkkivalo

Ketjusahassa on ylikuormituksen merkkivalot (12). Oikealla puolella oleva vihreä merkkivalo syttyy, kun ketjusaha käynnistetään ja palaa käytön aikana. Vihreä merkkivalo sammuu ja vasemmalla puolella oleva punainen merkkivalo syttyy, jos ketjusaha ylikuormittuu.

Punainen merkkivalo osoittaa ainoastaan, että ketjusaha on ylikuormittunut. Ketjusaha ei sammu automaattisesti ylikuormituksen sattuessa. Jos sahaamista jatketaan pitkään punaisen merkkivalon palaessa, ketjusaha saattaa vahingoittua tai sulake saattaa laueta.

Vähennä ketjusahan kuormitusta painamalla puukappaletta kevyemmin ketjusahalla, kunnes punainen ylikuormituksen merkkivalo sammuu.

Kuva 17



6. Ketjusahan käyttövinkkejä

Polttopuiden sahaaminen

Noudata seuraavia turvallisuusohjeita sahatessasi polttopuita:

- Varmista, että puukappale on kiinnitetty turvallisesti, jotta se ei pääse liukumaan tai pyörimään sahattaessa. Kiinnitä pienemmät puukappaleet ennen sahauksen aloittamista.
- Käytä ketjusahaa ainoastaan puun sahaamiseen. Varmista, että teräketjun läheisyydessä ei ole sahauksen aikana kiviä, nauvoja tai muita esineitä, jotka saattavat vahingoittaa teräketjua tai aiheuttaa takapotkun. Varmista, että teräketju ei joudu kosketuksiin maan, piikkilangan tms. kanssa sahauksen aikana.
- Varmista, että terälevyn kärki ei joudu kosketuksiin ohuiden varpujen kanssa. Katkaise ainoastaan yksi oksa kerrallaan. Varmista, että seisot tasapainoisesti. Käytä turvakenkiä, joissa on liukumattomat pohjat.
- Ketjusahan tulee aina olla sammutettuna siirtämisen ja kuljetuksen aikana. Älä pidä kiinni virtakytkimestä, jotta saha ei käynnisty vahingossa, jos kompastut.

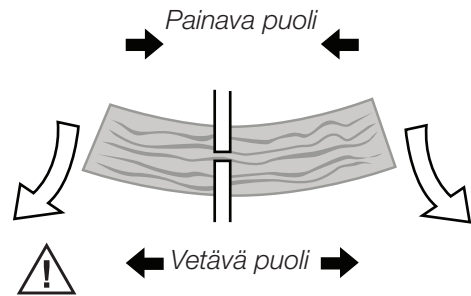
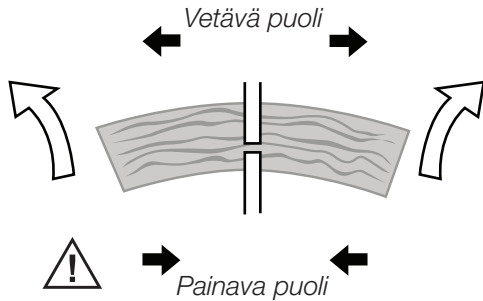
7. Ota huomioon seuraavat asiat

- Käynnistä ketjusaha ja anna teräketjun kiihtyä täysille kierroksille, ennen kuin painat sen kiinni puukappaleeseen.
- Käynnistä ketjusaha painamalla takakahvan (1) käynnistykseen estoa ja virtakytkintä.
- Paina kuorituki (17) kiinni työkappaleeseen ja aloita sahaaminen. Vedä ketjusahaa hieman taaksepäin ja nosta sitä, jotta puukappale on hieman korkeammalla kuorituessa ja jatka sahaamista.
- Ole varovainen sahatessasi halkaistua tai haljennutta puuta, sillä siitä saattaa lentää teräviä puukappaleita.

8. Jännittyneen puun sahaaminen

Varoitus! Ole varovainen, kun käsittelet jännittyntä puuta.

Katso ennen sahaamista, kuinka puu on taipunut. Jos sahaat puun sitä puolta, jolla on painetta, saha saattaa jumittua. Jos sahaat toista puolta, puu saattaa haljeta.



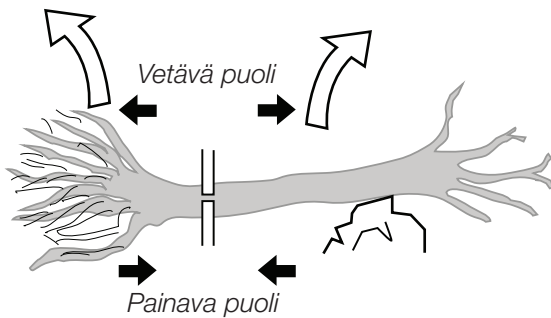
Kuva 18

Painava voima on puun alapuolella, vetävä voima on puun yläpuolella.

Varoitus: Puu halkeaa sahattaessa.

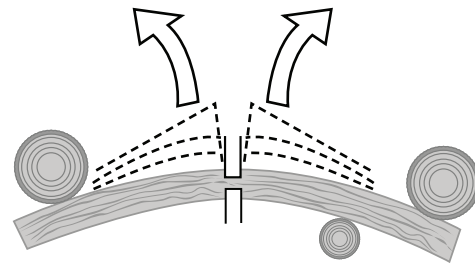
Vetävä voima on puun alapuolella, painava voima on puun yläpuolella.

Varoitus: Puu iskeytyy alaspäin sahattaessa.



Painava voima on puun alapuolella, vetävä voima on puun yläpuolella.

Varoitus: Puun runko iskeytyy nopeasti ja voimakkaasti ylöspäin ja kiertyy sahattaessa. Kanto voi kaatua eteen- tai taaksepäin. Ole erityisen varovainen tässä tapauksessa!



Kuva 19

Kummallakin puolella on painavaa voimaa.

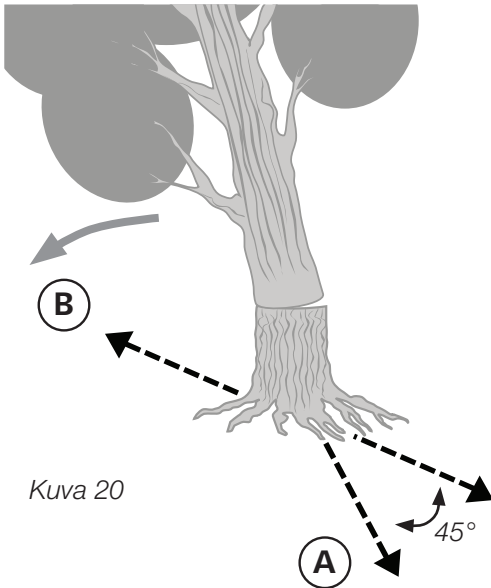
Varoitus: Puun runko saattaa lyödä sivulle katkaisun yhteydessä. Ole erityisen varovainen tässä tapauksessa!

9. Puiden kaataminen

Tätä ketjusahaa ei ole suunniteltu puiden kaatoon, vaan ainoastaan katkaisuun. Voit kuitenkin kaataa sahalla pienempiä puita. **Jos olet vähänkin epävarma ketjusahan käyttöön tai työtapoihin liittyvissä asioissa, kysy neuvoja tottuneelta sahankäyttäjältä.**

Näitä suojavarusteita tarvitset metsätöissä: Kypärä, jossa kuulosuojaimet ja visiiri, housut, joissa sahaussuoja, kengät tai saappaat, joissa sahaussuoja ja ensiapupakkaus.

- Pienet puut voi useimmiten sahata yhdellä sahauksella lähes kokonaan poikki, jonka jälkeen puu kaadetaan työntämällä se käsillä tai olkapäällä oikeaan suuntaan (älä sahaa runkoa kokonaan poikki, vaan jätä pieni osa runkoa saranaksi).
- Suurempiin puihin pitää ensin sahata kaatolovi, joka määrittää puun kaatumissuunnan.



Kuva 20

Varoitus! Varmista aina, että käytössäsi on turvallinen poistumistie. Saha pois tarvittaessa edessä olevat pensaat ja oksat ennen sahaamisen aloittamista. Paras poistumissuunta (A) on viistosti pois puun kaatumissuunnasta.

Varoitus! Varmista aina, että olet puun yläpuolella, jos sahaat kaltevalla maalla. Puu liikkuu tai rullaa alaspäin hyvin todennäköisesti kaatamisen jälkeen.

Huom.! Kaatolovi määrittää puun kaatumissuunnan (B). Tarkista ennen puun kaatamista, kallistuuko puu johonkin suuntaan, tai onko puussa jollain puolella paljon suuria oksia. Puun kallistuminen tai suuret oksat saattavat vaikuttaa puun kaatumissuuntaan.

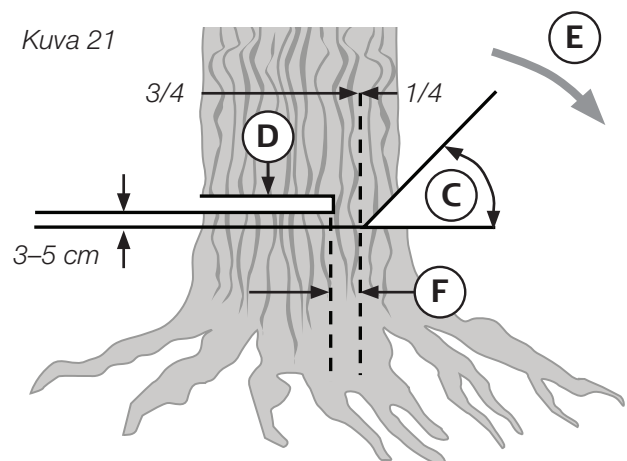
Varoitus! Älä kaada puuta yksin, jos on olemassa mahdollisuus, että puu kaatuu esim. talon tai aidan päälle. Neuvottele asiasta ammattihenkilön kanssa. Älä kaada puuta, jos sen lähellä on sähkö- tai puhelinlinjoja. Varmista ennen sahaamista, että vaara-alueella ei ole ihmisiä tai eläimiä. Keskeytä työ säännöllisesti ja varmista, että vaara-alueelle ei ole tulossa ihmisiä tai eläimiä.

Tavallisesti puun kaataminen koostuu kahdesta eri sahausvaiheesta, kaatolovesta (C) ja kaatosahauksesta (D).

Aloita ylemmällä kaatolovella (C), joka on puun kaatumissuunnalla (E). Saha alempi, vaakasuora kaatolovi, joka kohtaa ylemmän kaatoloven (älä sahaa liian pitkälle). Kaatoloven tulee olla niin leveä, että se ohjaa puuta kaatumisen aikana mahdollisimman pitkään.

Varoitus! Älä mene koskaan puun eteen sen jälkeen, kun olet sahannut kaatoloven.

Tee kaatosahausta (D) puun toiselle puolelle ja 3-5 cm alemman kaatoloven yläpuolelle.



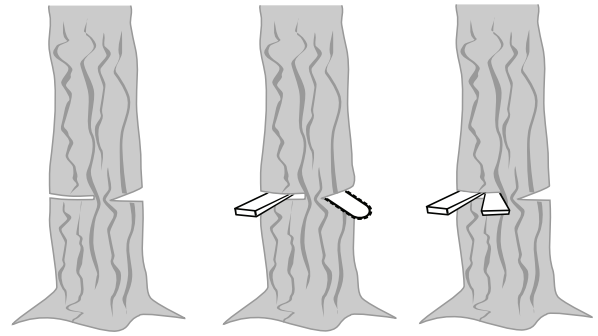
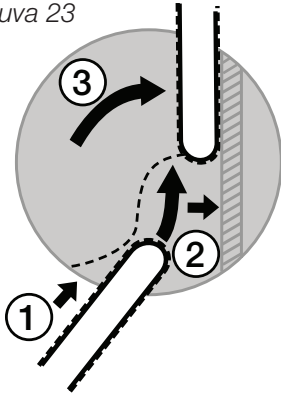
Kuva 21

Älä koskaan sahaa runkoa kokonaan poikki. Jätä aina pitopuu (F). Pitopuu ohjaa puuta kaatumisen aikana. Jos sahaat puun kokonaan poikki, et voi vaikuttaa puun kaatumissuuntaan, vaan puu voi kaatua mihin suuntaan tahansa. Laita kaatosahaukseen kaatokiila tai kaatorauta ennen kuin sahaat puun kokonaan. Jos sahaat koko kaatosahaoksen ennen kuin laitat kaatokiilan tai kaatoraudan kaatosahaukseen, puu voi taipua taaksepäin ja puristaa terälevyn kiinni. Varmista ennen puun kaatamista kaatokiilan tai kaatoraudan avulla, että vaara-alueella ei ole ihmisiä tai eläimiä.

Varoitus! Varmista ennen sahaamisen aloittamista, että lähistöllä ei ole ihmisiä, eläimiä tai muita esteitä.

1. Käytä muovisia tai puisia kaatokiiloja (A) estääksesi terälevyn (B) juuttumisen sahausloveen.

Kuva 23



Kuva 22

2. Jos puun halkaisija on suurempi kuin terälevyn pituus, tulee sahata kaksi lovea.

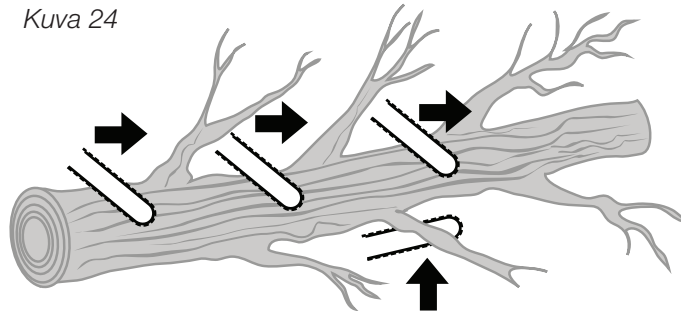
Varoitus! Puu saattaa kaatua, kun kaatosahaus on sahattu niin pitkälle, että jäljellä on enää pitopuu. Voit käyttää tarvittaessa kaatokiilaa tai kaatorautaa.

Ota ketjusaha irti puusta, sammuta moottori ja ota muutama askel kohti poistumissuuntaa. Tarkkaile kaatuvaa puuta (katso kuva 20).

10. Karsiminen

Karsiminen tarkoittaa makaavan puun oksien sahaamista. Aloita sahaamalla rungon ylimpien oksien sahaamista. Seiso rungon toisella puolella ja sahaa rungon toisella puolella olevat oksat (tällöin runko on suojana sinun ja sahan välillä). Saha varoen jännittyneet oksat; ne tulee sahata oikealta puolelta, muuten terä jumittuu.

Kuva 24



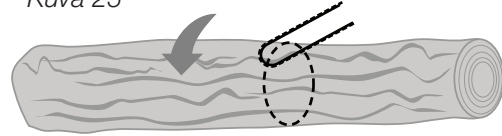
Varoitus! Älä seiso puun rungon päällä karsimisen aikana.

11. Katkaiseminen

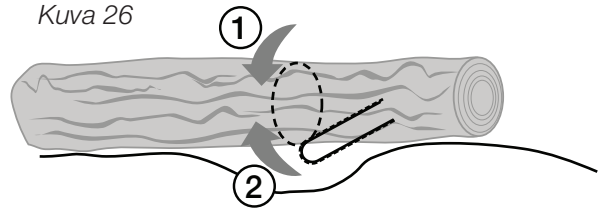
Katkaiseminen tarkoittaa kaadetun puun sahaamista oikean pituiseksi. Varmista, että seisot vakaasti. Jos maa viettää, seiso puun rungon yläpuolella. Puun runko kannattaa nostaa niin, että se ei makaa maata vasten. Näin sahaaminen on helpompaa, eikä teräketju tylsy maahan osuessaan. Jos puun runko on tuettu molemmista päistä, aloita katkaisemalla se keskeltä. Aloita sahaamalla runko puoleen väliin yläpuolelta, ja sen jälkeen samasta kohdasta alapuolelta. Muuten teräketju saattaa juuttua runkoon. Varmista, että teräketju ei joudu kosketuksiin maan kanssa.

1. Jos rungolla on tukea koko rungon matkalta: Saha ensin yläpuolelta, kierrä runko ympäri ja sahaa samasta kohdasta rungon yläpuolelta (kuva 25).
2. Runko, jolla on tuki toisessa päässä (esim. runko, joka on sahauspukin päällä): Saha ensin rungon alapuolelta (sahaa 1/3 rungon paksuudesta välttääksesi puun halkeamisen) ja sahaa sen jälkeen samasta kohdasta rungon yläpuolelta.
3. Runko, jolla on tuki kummassakin päässä: Saha ensin rungon yläpuolelta (sahaa 1/3 rungon paksuudesta välttääksesi puun halkeamisen) ja sahaa sen jälkeen samasta kohdasta rungon alapuolelta (kuva 26).

Kuva 25



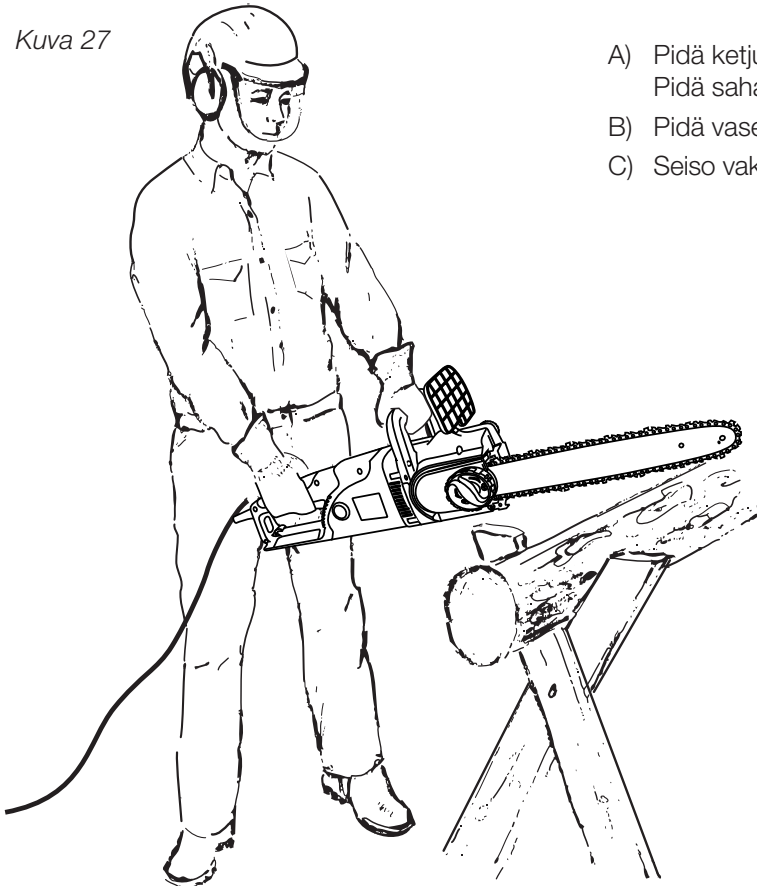
Kuva 26



Huom.! Paras tapa katkaista puu on käyttää tukea, esim. sahauspukkia. Mikäli se ei ole mahdollista, rungon voi tukea myös muilla tavoin. Varmista kuitenkin, ettei runko pääse rullaamaan tai liikkumaan sahausajan aikana.

Katkaiseminen sahauspukilla

Kuva 27



- A) Pidä ketjusahasta tukevasti kiinni molemmin käsin. Pidä sahaa oikealla puolellasi.
- B) Pidä vasen käsi mahdollisimman suorana.
- C) Seiso vakaasti ja jaa paino tasaisesti kummallekin jalalle.

12. Huolto ja puhdistaminen

Huom.! Irrota aina pistoke pistorasiasta ennen ketjusahan huoltoa ja säätöä.

Pidä moottorin tuuletusaukot puhtaina, poista mahdolliset purut, roskat ym. Saat suorittaa itse käyttöohjeessa mainitut huolto- ja säätötyöt. Muut korjaus- ja säätötyöt tulee tehdä huoltoliikkeessä. Laitetta ei saa muuttaa. Laitetta saa käyttää vain käyttöohjeessa kuvatulla tavalla. Laitteen muuttaminen tai käyttöohjeen vastainen käyttö lisää onnettomuusriskiä.

13. Säilytys

Säilytä ketjusahaa kuivassa ja puhtaassa paikassa tasaisella pinnalla. Sahan tulee olla lasten ulottumattomissa silloin kun sitä ei käytetä.

14. Kierrättäminen

Tämä symboli tarkoittaa, että tuotetta ei saa laittaa kotitalousjätteen sekaan. Ohje koskee koko EU-aluetta. Virheellisestä kierrättämisestä johtuvien mahdollisten ympäristö- ja terveyshaittojen ehkäisemiseksi tuote tulee viedä kierrätettäväksi, jotta materiaali voidaan käsitellä vastuullisella tavalla. Kierrätä tuote käyttämällä paikallisia kierrätysjärjestelmiä tai ota yhteys ostopaikkaan. Ostopaikassa tuote kierrätetään vastuullisella tavalla.



15. Vianhaku

Ongelma	Syy	Ratkaisu
Moottori ei käynnisty.	Ei virtaa.	Tarkista pistorasia, johto ja pistoke. Viallinen virtajohto: Vaihda virtajohto. Älä käytä viallisia johtoja Viallinen virtakytkin tulee vaihdattaa huoltoliikkeessä.
	Takapotkusuoja/ketjujarru on lauennut.	Katso kohta <i>Takapotkusuojan/ketjujarrun palauttaminen</i> (Kuva 15).
	Kuluneet hiiliharjat.	Hiiliharjat tulee vaihdattaa huoltoliikkeessä.
Teräketju ei liiku.	Takapotkusuoja/ketjujarru on lauennut.	Katso kohta <i>Takapotkusuojan/ketjujarrun palauttaminen</i> (Kuva 15).
Heikko suorituskyky.	Teräketju asennettu väärin.	Teräketju väärinpäin, tarkasta suunta.
	Teräketju on tylsä.	Teroita teräketju.
	Ketjun kireys.	Tarkista ketjun kireys.
Ketjusaha toimii huonosti, teräketju hyppää pois paikaltaan.	Ketjun kireys.	Tarkista ketjun kireys.
Teräketju kuumenee.	Ketjun voitelu.	Tarkista öljyn taso.
		Tarkista ketjun voitelu.

16. Tekniset tiedot

Teho	2400 W
Nimellisjännite	230 V, 50 Hz
Sahausnopeus	14 m/s
Suurin sahausvyvyys	350 mm
Paino	4,7 kg (ilman terälevyä ja teräketjua)
Melutaso	LpA = 93 dB(A), KpA = 3 dB(A) LwA = 106 dB(A), KwA = 3 dB(A)
Tärinäarvo	7,5 m/s ² K = 1,5 m/s ²
Öljysäiliön tilavuus	110 ml
Teräketju	3/8" 52 lenkkiä 1,3 mm
Terälevy	35 cm (14")

Elektro-Kettensäge 2400 W

Art.Nr. 18-3573 Modell SF7J101-24-SLN
40-9509 SF7J101-24-SLN

Vor Inbetriebnahme die komplette Bedienungsanleitung durchlesen und aufbewahren.

Irrtümer, Abweichungen und Änderungen behalten wir uns vor.

Bei technischen Problemen oder anderen Fragen freut sich unser Kundenservice über eine Kontaktaufnahme.

Inhaltsverzeichnis

1. Sicherheitshinweise – Elektrowerkzeuge	71
1.1 Allgemeine Sicherheitshinweise – EN 60745-1	71
1.2 Warnhinweise für Kettensägen	72
1.3 Ursachen für Rückstöße der Kettensäge.....	73
1.4 Maßnahmen zur Vorbeugung von Rückstößen durch den Bediener	73
1.5 Produktkennzeichnung mit Warnhinweisen	74
1.6 Sicherheitshinweise	74
2. Beschreibung	75
3. Vor der Inbetriebnahme	76
3.1 Schwert und Sägekette montieren	76
3.2 Kettenspannung	77
3.3 Kettenöl einfüllen	78
3.4 Verlängerungskabel an der Kettensäge anschließen.....	78
3.5 Kettenschmierung	78
3.6 Schwert	79
3.7 Rückschlagschutz/Kettenbremse	79
4. Sägekette schärfen	80
5. Inbetriebnahme.....	80
5.1 Schutzmaßnahmen	80
5.2 Wichtige Hinweise	81
5.3 Anzeige für Überbelastung.....	81
6. Anwendungstipps.....	81
7. Merkzettel	81
8. Sägen von Bäumen unter Spannung	82
9. Bäume fällen.....	83
10. Entasten	84
11. Baumstamm ablängen	85
12. Wartung und Pflege	86
13. Aufbewahrung.....	86
14. Hinweise zur Entsorgung	86
15. Fehlersuche.....	86
16. Technische Daten	86

Warnung! Bei Anwendung von Elektrowerkzeugen stets die folgenden allgemeinen Sicherheitshinweise einhalten, um Feuergefahr, Stromschläge und Personenschäden zu vermeiden.
Den Stecker des Netzkabels vor der Wartung und Einstellung des Produktes immer aus der Steckdose ziehen.

1. Sicherheitshinweise – Elektrowerkzeuge

1.1 Allgemeine Sicherheitshinweise – EN 60745-1

Warnung! Die komplette Bedienungsanleitung durchlesen. Nichtbeachtung der folgenden Anweisungen kann zu Stromschlägen, Feuer und/oder schweren Verletzungen führen. Die Bezeichnung „Elektrowerkzeug“ im weiteren Textverlauf bezieht sich auf das Netzkabel-angeschlossene oder Akku-betriebene Handwerkzeug.

DIESE ANLEITUNG AUFBEWAHREN.

1) Arbeitsumgebung

- a) **Das Arbeitsumfeld sauber und gut beleuchtet halten.** Unordentliche und dunkle Umgebungen können zu Unfällen führen.
- b) **Elektrowerkzeuge niemals in explosionsgefährdeter Umgebung einsetzen, wie zum Beispiel in der Nähe leicht entzündlicher Flüssigkeiten, Gase oder Stäube.** Elektrowerkzeuge erzeugen Funken, die Staub oder Dämpfe entzünden können.
- c) **Kinder und andere Personen während des Gebrauchs von Elektrowerkzeugen fernhalten.** Störungen können zum Verlust der Kontrolle führen.

2) Elektrische Sicherheit

- a) **Der Netzstecker des Elektrowerkzeugs muss direkt in die Steckdose passen. Niemals den Netzstecker verändern. Niemals einen Adapter zusammen mit geerdeten Elektrowerkzeugen verwenden.** Unveränderte Stecker und passende Steckdosen verringern das Risiko von Stromschlägen.
- b) **Körperkontakt mit geerdeten Gegenständen wie Rohren, Heizungen, Kochherd oder Kühlschrank vermeiden.** Ist der eigene Körper geerdet, erhöht sich das Risiko für Stromschläge.
- c) **Das Elektrowerkzeug niemals Regen oder Nässe aussetzen.** Wasser im Inneren von Elektrowerkzeugen erhöht das Risiko für Stromschläge.
- d) **Das Netzkabel stets mit Sorgfalt behandeln. Das Netzkabel nie zum Ziehen oder Tragen des Elektrohandwerkzeugs oder zum Herausziehen des Steckers aus der Steckdose verwenden. Das Kabel von Wärme, Öl, scharfen Kanten und beweglichen Teilen fernhalten.** Beschädigte oder verformte Netzkabel erhöhen die Gefahr von elektrischen Schlägen.
- e) **Beim Einsatz von Elektrohandwerkzeug im Freien ein Verlängerungskabel verwenden, das für diesen Einsatzbereich vorgesehen ist.** Die Benutzung eines Verlängerungskabels für den Außenbereich verringert das Risiko von Stromschlägen.
- f) **Sollte der Einsatz eines Elektrowerkzeugs in feuchter Umgebung notwendig sein, immer eine Fehlerstrom-Schutzeinrichtung vorschalten.** Die Benutzung einer Fehlerstromschutzeinrichtung verringert das Risiko von Stromschlägen.

3) Persönliche Sicherheit

- a) **Während der Tätigkeit aufmerksam sein und beim Einsatz eines Elektrowerkzeugs Vernunft walten lassen. Die Bedienung von Elektrowerkzeugen bei Müdigkeit und/oder unter Einfluss von Drogen, Alkohol oder Medizin ist untersagt.** Ein kurzer Moment der Unachtsamkeit kann zu schweren Sach- und Personenschäden führen.
- b) **Persönliche Schutzausrüstung tragen. Immer einen Augenschutz tragen.** Die Benutzung von persönlicher Schutzausrüstung, wie Atemschutz, Sicherheitsschuhen, Helm und Gehörschutz bei Bedarf verringert das Verletzungsrisiko.
- c) **Versehentliches Einschalten vermeiden. Sicherstellen, dass der Stromschalter in der Position „OFF“ ist bevor der Netzstecker angeschlossen wird.** Das Tragen von Elektrowerkzeugen mit einem Finger auf dem Schalter oder der Anschluss von Elektrowerkzeugen an die Netzspannung, während der Schalter in der Position „ON“ ist, birgt ein erhöhtes Unfallrisiko.

- d) **Alle Einstellwerkzeuge vor dem Einschalten des Elektrowerkzeugs entfernen.** Ein vergessenes Servicewerkzeug an einem rotierenden Teil von Elektrowerkzeugen kann zu Personenschäden führen.
- e) **Immer eine stabile und bequeme Arbeitsposition einnehmen. Jederzeit auf einen sicheren Stand und gutes Gleichgewicht achten.** Dies Hilft bei unvorhergesehenen Situationen.
- f) **Geeignete Arbeitskleidung tragen. Keine losen Kleider oder Schmuck tragen. Haare, Kleidung und Handschuhe von beweglichen Teilen fernhalten.** Weite Kleidung, Schmuck oder lange Haare können sich in bewegenden Teilen verfangen.
- g) **Wenn Staubabsaug- und -auffangvorrichtungen montiert werden können, sicherstellen, dass diese angeschlossen sind und ordnungsgemäß funktionieren.** Die Nutzung dieser Hilfsmittel kann mit Staub in Verbindung stehende Gefahren verringern.

4) Benutzung und Wartung von Elektrowerkzeugen

- a) **Das Gerät nicht überbeanspruchen. Elektrowerkzeuge nur für die dafür vorgesehene Arbeit benutzen.** Das richtige Elektrowerkzeug sorgt für mehr Sicherheit und ein besseres Resultat.
- b) **Das Elektrowerkzeug nicht einsetzen, wenn dessen Ein-/Ausschalter defekt ist.** Ein Elektrowerkzeug, das sich nicht mehr ein- oder ausschalten lässt, ist gefährlich und muss repariert werden.
- c) **Den Stecker aus der Dose ziehen, bevor Änderungen vorgenommen werden, Zubehör ausgetauscht oder das Elektrohandwerkzeug zur Verwahrung gelagert wird.** Diese Vorkehrungsmaßnahme verkleinert das Risiko für einen unabsichtlichen Start.
- d) **Elektrowerkzeuge bei Nichtbenutzung außer Reichweite von Kindern aufbewahren. Personen, die nicht mit der Bedienung vertraut sind, nicht das Elektrowerkzeug benutzen lassen.** Elektrowerkzeuge können bei Nichtbeachtung eine große Gefahr ausmachen.
- e) **Elektrowerkzeuge warten. Sicherstellen, dass bewegliche Geräteteile einwandfrei funktionieren und nicht klemmen, dass keine Teile gebrochen oder so beschädigt sind, dass die Funktion des Elektrowerkzeugs beeinträchtigt ist.** Sollte etwas beschädigt sein, muss es vor Benutzung repariert werden. Viele Unglücke werden durch mangelnde Wartung verursacht.
- f) **Die Schneidwerkzeuge scharf und sauber halten.** Ordentlich gewartete Werkzeuge neigen weniger zu Fehlfunktionen und sind einfacher zu handhaben.
- g) **Elektrowerkzeuge, Zubehör usw. nur der Beschreibung entsprechend und für den vorgesehenen Verwendungszweck handhaben. Dabei immer die aktuellen Arbeitsbedingungen berücksichtigen.** Bei Zweckentfremdung können Sach- und Personenschäden entstehen.

5) Service

- a) **Reparaturen sind nur von qualifizierten Servicetechnikern und mit Originalzubehör durchzuführen.** Dies bewahrt die Sicherheit von Elektrowerkzeugen.

1.2 Warnhinweise für Kettensägen

- **Bei laufender Säge alle Körperteile von der Sägekette fernhalten. Vor dem Starten der Säge sicherstellen, dass die Sägekette nichts berührt.** Beim Arbeiten mit einer Kettensäge kann ein Moment der Unachtsamkeit dazu führen, dass Körperteile oder Bekleidung von der Sägekette erfasst werden.
- **Die Kettensäge immer mit der rechten Hand am hinteren Griff und der linken Hand am vorderen Griff halten.** Das Festhalten der Kettensäge mit der falschen Hand erhöht die Gefahr von Verletzungen und ist daher zu vermeiden.
- **Augen- und Gehörschutz tragen. Außerdem wird die Verwendung einer persönlichen Schutzausrüstung für Kopf, Hände, Beine und Füße empfohlen.** Passende Schutzkleidung mindert die Verletzungsgefahr durch umherfliegendes Spanmaterial und zufälliges Berühren der Sägekette.
- **Mit der Kettensäge nicht auf einem Baum arbeiten.** Bei Betrieb einer Kettensäge auf einem Baum besteht Verletzungsgefahr.
- **Auf einen festen Stand achten und bei Verwendung der Kettensäge stets auf einem ebenen, sicheren und flachen Grund stehen.** Rutschige oder instabile Standflächen, wie z. B. eine Leiter, können zum Verlust des Gleichgewichts oder zum Verlust der Kontrolle über die Kettensäge führen.
- **Beim Schneiden eines unter Spannung stehenden Stammes oder Astes stets damit rechnen, dass dieser zurückfedert.** Wenn die Spannung in den Holzfasern freikommt, kann der gespannte Ast die Bedienperson treffen und/oder die Kettensäge der Kontrolle entreißen.

- **Beim Schneiden von Unterholz und jungen Bäumen besonders vorsichtig vorgehen.** Die dünnen Äste können sich in der Sägekette verfangen und auf die Bedienperson schlagen oder diese aus dem Gleichgewicht bringen.
- **Die Kettensäge stets am vorderen Griff im ausgeschalteten Zustand und mit vom Körper abgewandtem Schwert tragen. Bei Transport oder Aufbewahrung der Kettensäge stets die Schutzabdeckung anbringen.** Sorgfältiger Umgang mit der Kettensäge verringert die Wahrscheinlichkeit einer versehentlichen Berührung der laufenden Sägekette.
- **Die Anweisungen für die Schmierung, die Kettenspannung und das Wechseln von Zubehörteilen befolgen.** Eine unsachgemäß gespannte oder geschmierte Kette kann entweder reißen oder das Rückschlagrisiko erhöhen.
- **Die Griffe trocken, sauber und frei von Öl und Fett halten.** Fettige, ölige Griffe sind rutschig und führen zum Verlust der Kontrolle über die Kettensäge.
- **Nur Holz sägen. Die Kettensäge nicht für Arbeiten verwenden, für die sie nicht bestimmt ist. Zum Beispiel: Nicht zum Sägen von Plastik, Mauerwerk oder Baumaterialien verwenden, die nicht aus Holz sind.** Die Zweckentfremdung der Kettensäge kann zu gefährlichen Situationen führen.

1.3 Ursachen für Rückstöße der Kettensäge

- Ein Rückstoß kann auftreten, wenn das Schwert oder die Schwertspitze einen Gegenstand berührt oder wenn das Holz sich biegt und die Sägekette im Sägeschlitz festklemmt.
- Eine Berührung mit der Schwertspitze kann in manchen Fällen zu einer unerwarteten Reaktion führen, bei der das Schwert nach oben und in Richtung der Bedienperson geschlagen wird.
- Das Verklemmen der Sägekette an der Oberkante des Schwerts kann das Schwert heftig in Bedienerichtung zurückstoßen.
- Jede dieser Reaktionen kann dazu führen, dass die Bedienperson die Kontrolle über die Säge verliert und sich möglicherweise schwer verletzt. Der Bediener kann sich nicht ausschließlich auf die in der Kettensäge eingebauten Sicherheitseinrichtungen verlassen. Der Bediener einer Kettensäge sollte stets verschiedene Maßnahmen ergreifen, um unfall- und verletzungsfrei arbeiten zu können.

1.4 Maßnahmen zur Vorbeugung von Rückstößen durch den Bediener

Ein Rückschlag ist die Folge eines falschen und/oder fehlerhaften Gebrauchs des Elektrowerkzeugs. Er kann durch geeignete Vorsichtsmaßnahmen, wie nachfolgend beschrieben, verhindert werden:

- **Die Säge mit beiden Händen festhalten, wobei Daumen und Finger die Griffe der Kettensäge umschließen müssen. Körper und Arme in eine Stellung bringen, in der den Rückschlagkräften standgehalten werden kann.** Wenn geeignete Maßnahmen getroffen werden, kann der Benutzer die Rückschlagkräfte beherrschen. Niemals den Griff loslassen.
- **Den Körper nicht strecken und nicht über Schulterhöhe arbeiten.** Dadurch wird ein unbeabsichtigtes Berühren mit der Schwertspitze vermieden und eine bessere Kontrolle der Kettensäge in unerwarteten Situationen ermöglicht.
- **Nur Ersatzschwerter und Sägeketten des vom Hersteller vorgegebenen Typs verwenden.** Falsche Ersatzschwerter und Sägeketten können zum Reißen der Kette oder zu Rückschlag führen.
- **Stets die Anweisungen des Herstellers für das Schärfen und die Wartung der Sägekette befolgen.** Zu niedrige Tiefenbegrenzer erhöhen die Neigung zum Rückschlag.
- **Die Kettensäge nur an den isolierten Griffflächen halten, da die Säge mit verborgenen Leitungen oder dem eigenen Kabel in Kontakt kommen kann.** Sollte die Kettensäge mit spannungsführenden Leitungen in Kontakt kommen, können die Metallflächen der Säge Spannung führen und dem Bediener einen Stromschlag versetzen.

1.5 Produktkennzeichnung mit Warnhinweisen

Warnung!



Warnung!



Die Bedienungsanleitung durchlesen.
Die Sicherheitshinweise befolgen und die Warnhinweise beachten.



Immer einen Augenschutz tragen. Warnung vor umherfliegenden Holzschnitzeln!



Gehörschutz tragen.



Das Gerät vor Regen und Feuchtigkeit schützen.



Wenn das Verlängerungskabel beschädigt wird, sofort den Stecker ziehen. Dabei nur am Stecker anfassen und nicht das Kabel berühren.



Schallleistungspegel LwA.

1.6 Sicherheitshinweise

Falsch:



Nicht mit der Schwertspitze sägen.



Das Sägen mit der Schwertspitze kann einen Rückschlag zur Folge haben kann, wobei das Schwert plötzlich nach oben und zurück in Richtung Bediener geworfen wird.



Die Säge darf unter keinen Umständen mit nur einer Hand betrieben werden, da hierdurch die Gefahr eines Rückschlags und eines Kontrollverlusts über die Säge deutlich erhöht wird.

Richtig:



Die Kettensäge stets mit beiden Händen festhalten, und zwar mit der rechten Hand am hinteren Griff und der linken Hand am vorderen Griff.

2. Beschreibung

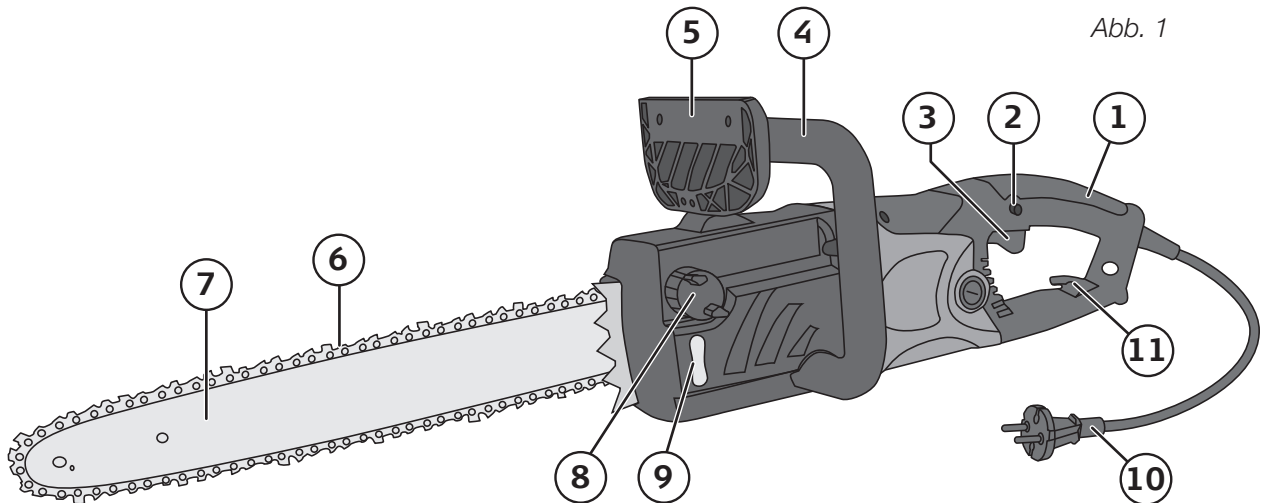


Abb. 1

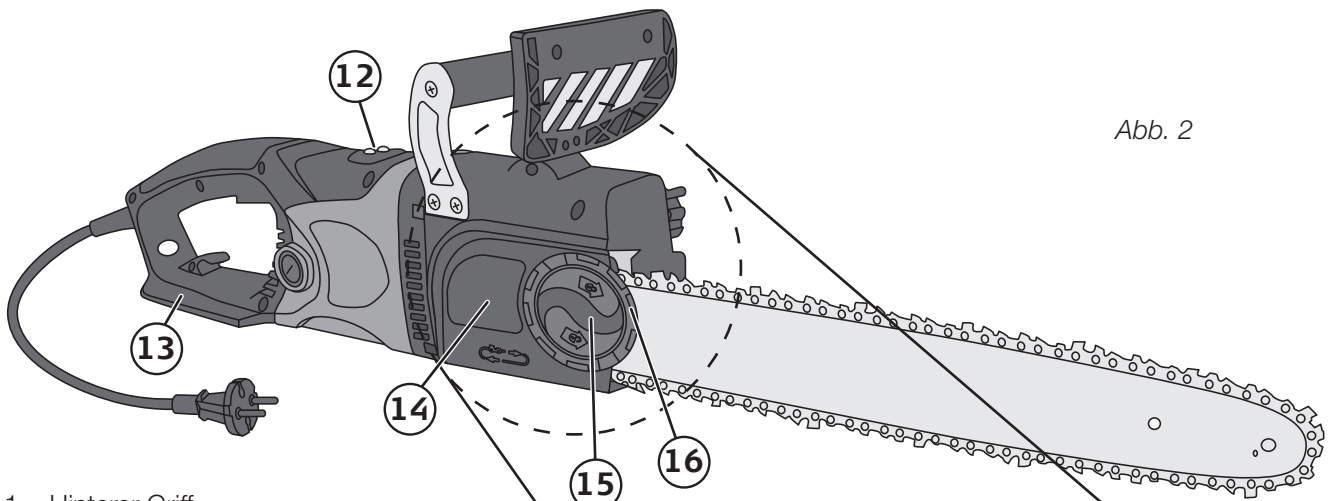


Abb. 2

1. Hinterer Griff
2. Sicherheitsriegel
3. Stromschalter
4. Vorderer Griff
5. Rückschlagschutz/Auslösung der Kettenbremse
6. Sägekette
7. Schwert
8. Öltankverschluss
9. Öltank/Füllstandsanzeige
10. Netzkabel
11. Kabelhalterung
12. LED-Anzeige bei Überbelastung
13. Hinterer Handschutz/Kettenfang
14. Kettenradabdeckung
15. Zentraler Drehknopf
16. Kettenspannring
17. Krallenanschlag
18. Kettenrad
19. Schwertbolzen
20. Kettenspannrad

3. Vor der Inbetriebnahme

- Sicherstellen, dass die Spannung der Stromquelle mit den Angaben auf dem Typenschild des Geräts übereinstimmt.
- Vor jedem Arbeitsbeginn prüfen, ob die Kettensäge unbeschädigt und betriebssicher ist. Zudem die Funktion der Kettenschmierung und den Ölstand kontrollieren (siehe Abb. 8). Spätestens dann Öl nachfüllen, wenn der Ölstand die „MIN“-Marke erreicht hat. Die Kettenschmierung wie folgt überprüfen: Die Kettensäge einschalten und ca. 20 cm über einen Holzklötz oder einen anderen hellen Gegenstand halten. Zeigt sich auf dem hellen Gegenstand eine zunehmende Ölspur, ist die Kettenschmierung in Ordnung. Zeigt sich keine Ölspur, den Ölausflusskanal (Siehe Abb. 11, E) und die obere Bohrung im Schwert (Siehe Abb. 12, B) reinigen oder einen Fachhändler oder eine Servicewerkstatt aufsuchen. (Siehe Abschnitt 3.3 Kettenöl einfüllen und 3.5 Kettenschmierung).
- Die Kettenspannung überprüfen und bei Bedarf einstellen (siehe Abschnitt 3.2 Kettenspannung). Funktion des Rückschlagschutzes bzw. der Kettenbremse überprüfen (siehe Abschnitt Rückschlagschutz/ Kettenbremse lösen).

Hinweis: Die Elektro-Kettensäge ist mit Softstart ausgestattet und erreicht dadurch die volle Leerlaufdrehzahl nach ca. 3 Sekunden.

3.1 Schwert und Sägekette montieren

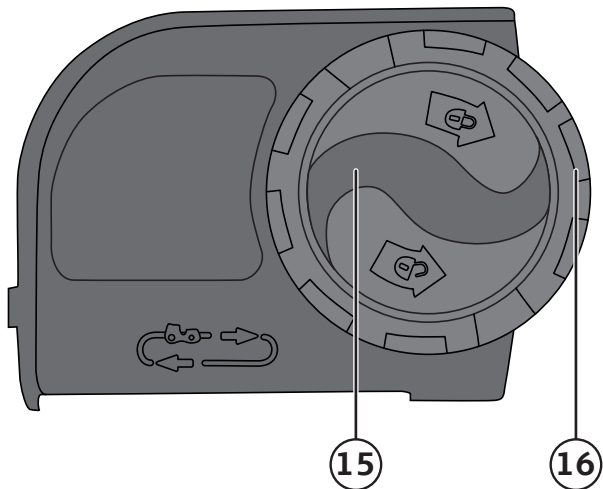
Beschreibung

Schwert und Sägekette sind bei Lieferung nicht montiert. Die Kettensäge verfügt über einen neuen Mechanismus zum Einstellen der Kettenspannung und zum Feststellen des Schwerts, der aus zwei Teilen besteht:

A. Einem an der Kettenabdeckung angebrachten kombinierten Drehregler zum Spannen und Feststellen

Der Drehregler besteht aus zwei verschiedenen Teilen: Abb. 3

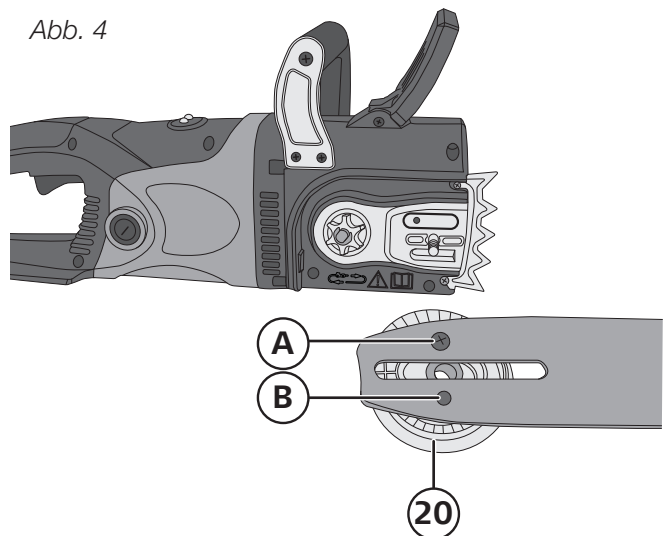
Einem zentralen Drehknopf (15) zum Fixieren des Schwerts (und zum Fixieren der Kettenspannungseinstellung) und einem äußeren Einstellring (16) zum Einstellen der Kettenspannung.



B. Ein am Schwert montiertes Kettenspannrad

Das Kettenspannrad (20) ist mit einer Schraube (A) an der unteren Bohrung und einem Führungsstift an der oberen Bohrung (B) am Schwert befestigt.

Abb. 4



Das Schwert und die Sägekette wie folgt montieren

Hinweis: Den Netzstecker aus der Steckdose ziehen.

1. Den zentralen Drehknopf (15) gegen den Uhrzeigersinn drehen und die Kettenradabdeckung (14) abnehmen.
2. Am Schwert ist ein Kettenspannrad (20) montiert. Das Schwert so wenden, dass sich das Kettenspannrad auf der Außenseite des Schwerts befindet. Das Schwert so montieren, dass der Schwertbolzen (19) in der Bohrung im Kettenspannrad liegt (siehe Abb. 5).
3. Das Kettenspannrad bis zum Anschlag gegen den Uhrzeigersinn drehen.

4. Die Sägekette so wenden, dass die Kanten der Schneidglieder auf der Schwertoberseite nach vorn zur Schwertspitze zeigen (die Sägekette wird auf der Unterseite des Schwerts durch Zugkraft und auf der Oberseite des Schwerts durch Schubkraft bewegt).

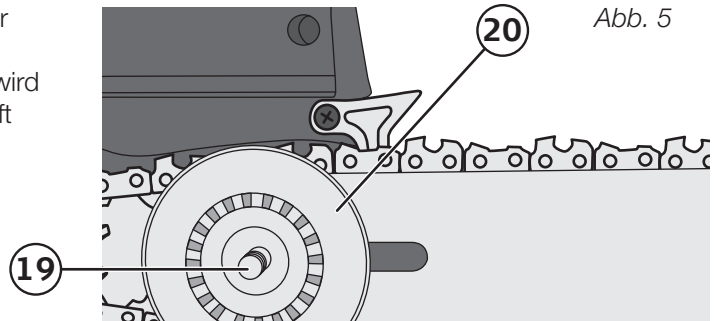


Abb. 5

5. Die Sägekette so montieren, dass sie auf dem Kettenrad liegt und in der Führungsnut das gesamte Schwert umschließt. (Siehe Abb. 6).
6. Das Kettenspannrad im Uhrzeigersinn drehen und die Kette vorsichtig spannen. Sicherstellen, dass die Kette richtig auf dem Schwert und dem Kettenrad liegt.

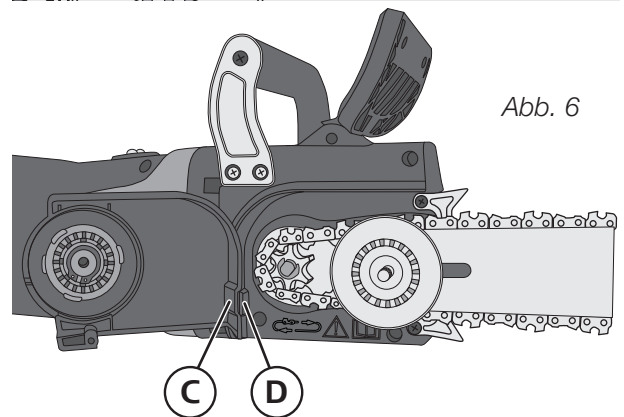


Abb. 6

7. Die Kettenradabdeckung (14) anbringen. Hierzu die Nase (C) an der Rückseite der Abdeckung in den Schlitz (D) an der Säge einsetzen und dann die Abdeckung in Richtung Schwertbolzen (19) klappen, sodass der Bolzen den zentralen Drehknopf (15) am Schwertbolzen (19) anliegt. Den zentralen Drehknopf (15) mit dem Uhrzeigersinn drehen, bis es im Gewinde des Schwertbolzen (19) Halt fasst und dann die Kette spannen, indem der äußere Kettenspannring (16) mit dem Uhrzeigersinn gedreht wird. (Der zentrale Drehknopf (15) dient nur zum Fixieren des Schwerts und der Kettenspannring (16) nur zum Spannen der Kette).

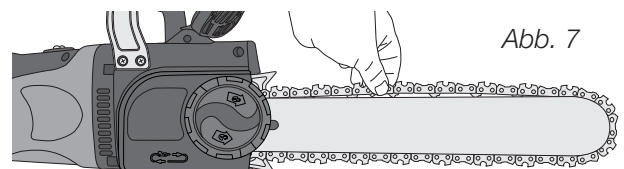


Abb. 7

8. Einstellen der Kettenspannung (Siehe Abb. 7): Bei korrekter Kettenspannung muss es möglich sein, die Sägekette in der Mitte des Schwerts etwa 5 mm anzuheben. Bei Bedarf wie folgt einstellen: Den schwarzen zentralen Drehknopf (15) auf dem Drehregler etwas lösen, durch Drehen des Kettenspannrings (16) die Kettenspannung anpassen, dann den schwarzen Drehknopf wieder anziehen und damit die eingestellte Kettenspannung fixieren.

3.2 Kettenspannung

Hinweis: Vor Service- und Einstellarbeiten stets den Stecker des Netzkabels aus der Steckdose ziehen. Schutzhandschuhe tragen.

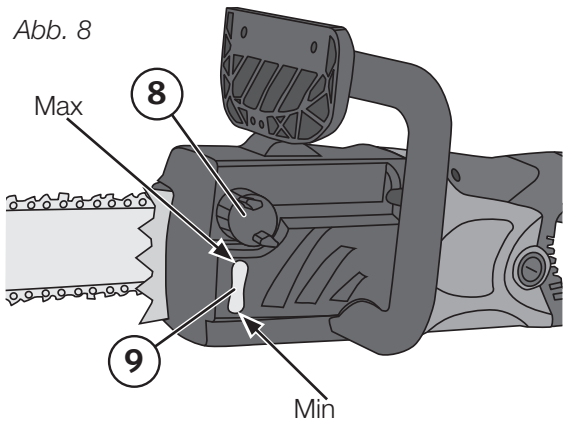
Kettenspannung einstellen

1. Zuerst die Kettenspannung überprüfen: Bei korrekter Kettenspannung muss es möglich sein, die Sägekette in der Mitte des Schwerts etwa 5 mm anzuheben.
2. Bei Bedarf wie folgt ändern: Den schwarzen Drehknopf (15) auf dem Drehregler etwas lösen und die Kettenspannung durch Drehen des Kettenspannrings (16) einstellen.
3. Den schwarzen zentralen Drehknopf festdrehen, um das Schwert und dadurch die eingestellte Kettenspannung zu fixieren (vor dem Festdrehen sicherstellen, dass die Sägekette ordnungsgemäß auf dem Kettenrad und in der Führungsnut liegt).

3.3 Kettenöl einfüllen

Den Öltankverschluss (8) vor dem Öffnen reinigen, um Verschmutzungen im Tank zu verhindern. Den Deckel abschrauben und Kettenöl nachfüllen. Der Ölstand ist im Öltank (9) unter der Nachfüllöffnung zu sehen.

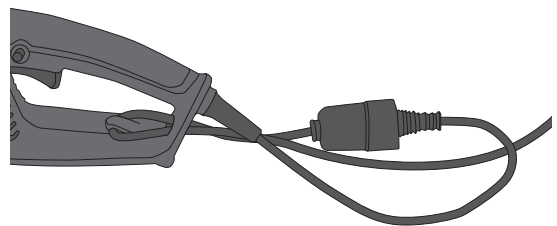
Vollständig auffüllen und dann den Deckel ordentlich festschrauben sowie evtl. Spritzer abwischen.



3.4 Verlängerungskabel an der Kettensäge anschließen

Ausschließlich für den Einsatz in Außenbereichen vorgesehene Verlängerungskabel mit einem ausreichenden Querschnitt (mindestens 1,5 mm², max. 75m lang) verwenden. Das Verlängerungskabel im hinteren Griff fixieren, (Siehe Abb. 9) Bei der Verwendung von Verlängerungskabeln mit einer Länge von über 30 Metern sind Spannungsabfälle möglich, sodass die Kettensägenleistung beeinträchtigt wird.

Abb. 9

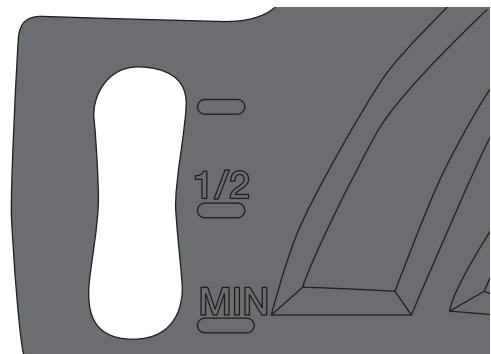


3.5 Kettenschmierung

Zum Schutz vor übermäßigem Verschleiß müssen Sägekette und Schwert während des Betriebs gleichmäßig geschmiert werden. Die Schmierung erfolgt automatisch. Niemals ohne Kettenschmierung arbeiten. Ohne Schmierung werden sowohl Schwert als auch Sägekette innerhalb kurzer Zeit stark beschädigt. Deshalb vor jedem Arbeitsbeginn die Funktion der Kettenschmierung und den Ölstand kontrollieren. (Abb. 10) Die Säge nie in Betrieb nehmen, wenn sich der Ölstand unter der „MIN“-Marke befindet.

- **Min.:** Liegt der Ölstand unter der „MIN“-Marke bzw. bei 5 mm im unteren Teil des Schauglases am Öltank (9), muss Kettenöl nachgefüllt werden.
- **Max.:** Öl auffüllen, bis das Schauglas gefüllt ist.

Abb. 10



Kettenschmierung überprüfen

Die Kettensäge einschalten und ca. 20 cm über einen Holzklötz oder einen anderen hellen Gegenstand halten. Zeigt sich auf dem hellen Gegenstand eine zunehmende Ölspur, ist die Kettenschmierung in Ordnung. Zeigt sich keine Ölspur, den Ölausflusskanal (E) und die obere Bohrung im Schwert (B) reinigen (siehe Abb. 11, 12) oder einen Fachhändler oder eine Servicewerkstatt aufsuchen. Darauf achten, dass die Sägekette bei der Überprüfung nicht mit dem Boden in Berührung kommt.

Kettenöl

Die Lebensdauer des Schwerts und der Sägekette hängt in hohem Maße von der Qualität des verwendeten Schmieröls ab. Nur Kettenöl und kein Altöl o. Ä. verwenden. Auf die Umweltfreundlichkeit des Kettenöls achten und das Kettenöl in einem dichten, für diesen Zweck vorgesehenen Behälter aufbewahren.

Abb. 11

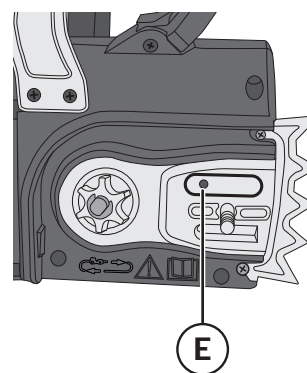
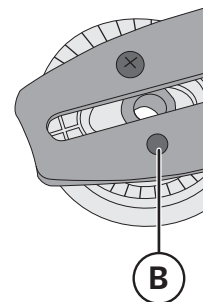


Abb. 12



3.6 Schwert

An der Spitze und an der Unterseite ist das Schwert (7) besonders großer Verschleißbeanspruchung ausgesetzt. Um eine einseitige Abnutzung zu vermeiden, das Schwert nach jedem Kettenschärfen wenden. Eventuelle scharfe Grate am Schwert mithilfe einer Flachfeile entfernen.

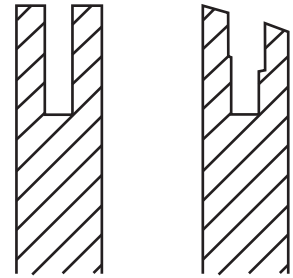
Kettenrad

Das Kettenrad (18) ist hohem Verschleiß ausgesetzt. Wenn das Kettenrad Verschleißspuren zeigt oder verformt ist, muss es erneuert werden. Ein verschlissenes Kettenrad vermindert die Lebensdauer der Sägekette. Das Kettenrad beim Fachhändler oder Kundendienst austauschen lassen.

Schwertschutz

Den Schwertschutz sofort nach Arbeitsende beziehungsweise beim Transport anbringen.

Abb. 13



3.7 Rückschlagschutz/ Kettenbremse

Bei einem Sägenrückschlag wird die Kettenbremse ausgelöst, indem der Rückschlagschutz (5) von der Hand nach vorn gedrückt wird. Hierdurch wird die Kette sofort zum Stillstand gebracht.

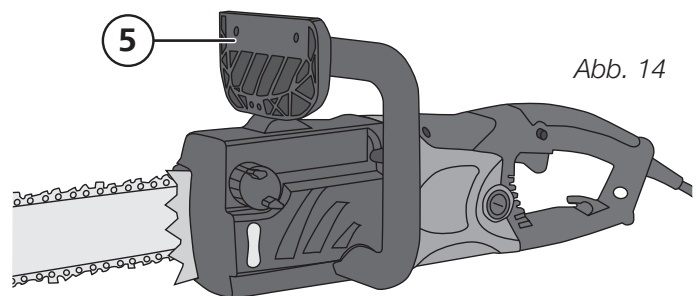


Abb. 14

Rückschlagschutz prüfen

Warnung! Die Kettenbremse muss vor jedem Einsatz überprüft werden.

Die Kettensäge mit beiden Händen gut festhalten. Die Kettensäge einschalten und den Rückschlagschutz mit dem Handgelenk nach vorn (auf „0“) schieben. Die Sägekette sollte sofort stoppen.

Rückschlagschutz/Kettenbremse lösen

Um die Säge wieder betriebsbereit zu machen, muss die Kettenbremse gelöst werden. Die Kettensäge ausschalten (den Ein-/Aus-schalter loslassen). Den Rückschlagschutz (5) nach hinten drücken, bis er in der hinteren Position („1“) einrastet. Damit ist die Kettenbremse wieder voll funktionsfähig.

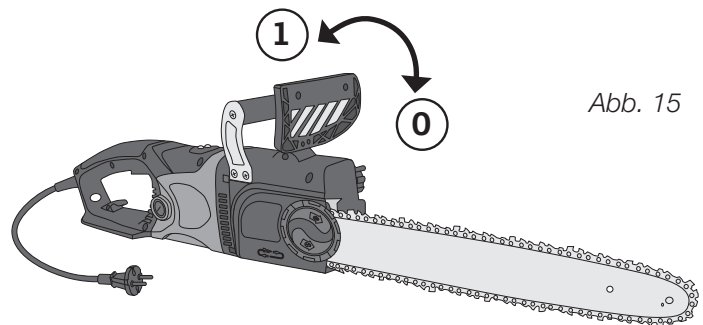


Abb. 15

4. Sägekette schärfen

Wenn die Sägekette stumpf wird und nicht mehr effektiv und sicher schneidet, muss sie ausgewechselt oder geschärft (geschliffen) werden.

Hinweis: Die Sägekette lässt sich am einfachsten mithilfe einer Feillehre schärfen, die im Fachhandel erhältlich ist, vor der Benutzung der Feillehre deren Bedienungsanleitung lesen.

Die Kette wie folgt schleifen:

- Den Netzstecker aus der Steckdose ziehen.
- Schutzhandschuhe anziehen.
- Die Kettenspannung überprüfen.
- Eine Rundfeile mit einem Durchmesser von 4 mm verwenden.
- Rechtwinklig (horizontal) zum Schwert in einem Winkel von 30° in Bewegungsrichtung der Kette feilen.
- Jeden Schneidzahn nach außen/vorne in Bewegungsrichtung der Kette feilen.
- Jeden Schneidzahn mit derselben Anzahl von Feilstrichen schärfen, um die Symmetrie zu wahren.
- Die Höhe der Tiefenbegrenzer bei jedem 5. Feilen überprüfen. Wenn die Tiefenbegrenzer nachgefeilt werden müssen, ist eine Flachfeile zu verwenden. Dabei unbedingt darauf achten, das ursprüngliche Profil beizubehalten.
- Die Höhe der Tiefenbegrenzer nach dem Feilen mit einer Lehre messen, die im Fachhandel erhältlich ist.

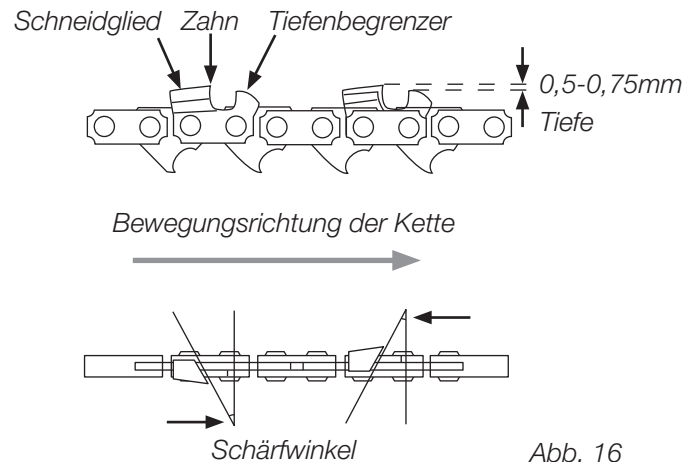


Abb. 16

5. Inbetriebnahme

Hinweis: Beim Arbeiten grundsätzlich Augenschutz, Gehörschutz, Schutzhandschuhe und Schnittschutzkleidung tragen.

Ausschließlich für den Einsatz in Außenbereichen zugelassene Verlängerungskabel mit einem ausreichenden Querschnitt (mindestens 1.5 mm²) und einer Länge von höchstens 75 Metern verwenden. Die Kettensäge ist mit einem Sicherheitsschalter versehen: Der Stromschalter und die Einschaltsperr befinden sich am hinteren Griff (1). Die Einschaltsperr muss heruntergedrückt werden, damit der Stromschalter gedrückt und die Kettensäge gestartet werden kann. Die Kettensäge muss beim Starten an beiden Griffen gut festgehalten werden. Wenn der Motor nicht startet, muss der Rückschlagschutz/die Kettenbremse gelöst werden: Den Rückschlagschutz (3) nach hinten drücken, siehe: 3.7 Rückschlagschutz/Kettenbremse, Rückschlagschutz/Kettenbremse lösen (Siehe Abb. 15). Die Kettensäge startet mit Softstart und erreicht die max. Drehzahl nach ein paar Sekunden.

Die Kettensäge ausschalten

Den Stromschalter (3) und die Einschaltsperr (2) loslassen. Die Säge stoppt direkt.

Nach jedem Arbeiten mit der Kettensäge wie folgt vorgehen

Sägekette und Schwert reinigen. Den Schwertschutz anbringen.

5.1 Schutzmaßnahmen

Hinweis: Die Kettensäge nie bei Regen oder hoher Luftfeuchtigkeit verwenden.

Hinweis: Wenn das Verlängerungskabel beschädigt wird, sofort den Stecker ziehen. Dabei nur am Stecker anfassen und nicht das Kabel berühren. Niemals mit einem beschädigten Verlängerungskabel arbeiten.

Die Kettensäge auf Schäden überprüfen. Vor der Inbetriebnahme zudem überprüfen, ob die Schutzeinrichtungen der Kettensäge einwandfrei funktionieren oder ob eventuelle andere Teile beschädigt sind. Die Beweglichkeit und Funktion der beweglichen Teile kontrollieren. Alle Teile müssen richtig montiert sein und alle Anforderungen erfüllen, um den einwandfreien Betrieb der Kettensäge zu gewährleisten. Beschädigte Schutzvorrichtungen und andere Teile müssen von einem Servicetechniker repariert oder ausgewechselt werden, soweit nichts anderes in der Betriebsanleitung angegeben ist.

5.2 Wichtige Hinweise

Rückschlag des Schwerts

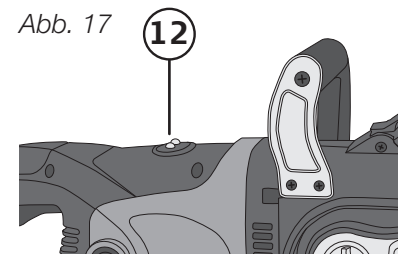
- Ein Rückschlag kann auftreten, wenn das Schwert plötzlich nach oben oder hinten ausschlägt. Dies trifft meist zu, wenn die Spitze des Schwerts mit einem Gegenstand in Berührung kommt.
- Um Unfälle zu vermeiden, niemals mit der Schwertschärfe sägen, da hierbei das Schwert plötzlich mit großer Kraft nach oben/hinten gestoßen werden kann.
- Beim Arbeiten grundsätzlich Schutzbrille, Gehörschutz, Schutzhandschuhe, Schutzkleidung und Schuhe mit Schnitenschutz tragen.
- Sicherstellen, dass das Werkstück ordentlich fest sitzt und bei Bedarf zusätzlich fixieren (dies gilt vor allem für runde und gerade Holzstücke, die bei Kontakt mit der Kettensäge rotieren können). Hierdurch wird auch die sichere Anwendung der Säge mit beiden Händen erleichtert.
- Rückstöße verursachen oft eine stumpfe Sägekette. Eine stumpfe Sägekette erhöht die Rückschlaggefahr. Die Kettensäge nie über Schulterhöhe verwenden.
- Das Schärfen der Sägekette ist ein äußerst wichtiger Sicherheitsaspekt. Eine unsachgemäß geschärfte Kette erhöht die Rückschlagneigung.

5.3 Anzeige für Überbelastung

Die Elektro-Kettensäge ist mit einer Anzeige der Überbelastung versehen (12). Die Anzeige besteht aus zwei Indikatorlampen. Eine grüne (rechts), die beim Start der Säge aufleuchtet und während dem normalen Betrieb leuchtet. Bei Überbelastung erlischt die grüne Lampe und die rote (links) leuchtet auf.

Die Indikatorlampen zeigen die Überbelastung der Kettensäge nur an, schalten die Maschine jedoch nicht ab. Wird trotz roter Lampe weiter gesägt, kann dies die Kettensäge beschädigen oder die Sicherung auslösen.

Um die Belastung der Kettensäge zu verringern den Druck des Schwerts gegen das Werkstück verringern bis die rote Indikatorlampe erlischt.



6. Anwendungstipps

Holz sägen

Beim Sägen von Holz folgende Sicherheitshinweise beachten:

- Sicherstellen, dass das Holzstück sicher liegt und beim Sägen nicht weggleiten/wegrollen kann. Kleinere Holzstücke durch Einspannen fixieren.
- Mit der Kettensäge nur Holz sägen. Darauf achten, dass sich beim Sägen keine Steine, Nägel oder andere Gegenstände in der Nähe der Sägekette befinden, die weggeschleudert oder die Sägekette beschädigen könnten. Darauf achten, dass die Sägekette beim Sägen nicht mit dem Boden, Stacheldraht usw. in Berührung kommt.
- Die Schwertschärfe darf nicht mit Ästen in Berührung kommen. Immer nur einen Ast auf einmal sägen. Auf einen sicheren Stand achten und Sicherheitsschuhe mit rutschfester Sohle tragen.
- Die Kettensäge muss immer ausgeschaltet sein, wenn sie an einen anderen Ort getragen wird. Nicht die Hand an den Ein-/Ausschalter halten, da die Säge beim Stolpern über ein Hindernis unbeabsichtigt gestartet werden könnte.

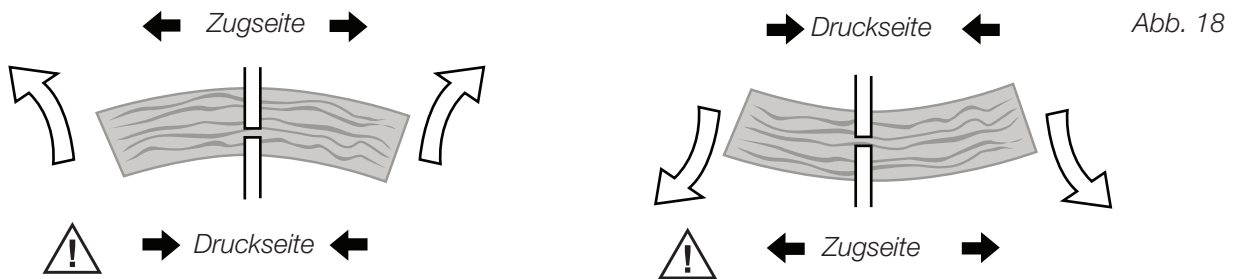
7. Merkbzettel

- Die Kettensäge zunächst starten, sodass die Sägekette läuft, bevor das Schwert auf das Holz gedrückt wird.
- Die Kettensäge durch Drücken der Einschaltsperrleiste und des Stromschalters am hinteren Griff (1) einschalten.
- Den unteren Teil des Krallenanschlages (17) auf das Holz aufsetzen und mit dem Sägen beginnen. Die Kettensäge etwas zurückziehen. Den Krallenanschlag etwas tiefer ansetzen und weitersägen.
- Vorsicht beim Sägen von gespaltenem oder gesprungenem Holz, da scharfe Späne aufgewirbelt werden können.

8. Sägen von Bäumen unter Spannung

Warnung! Vorsicht beim Zersägen von Bäumen, die unter Spannung stehen.

Vor dem Arbeitsbeginn überlegen, wie die Spannungen auf den Baum wirken. Beim Sägen auf der Druckseite kann die Säge eingeklemmt werden. Beim Sägen auf der Zugseite kann der Stamm brechen.

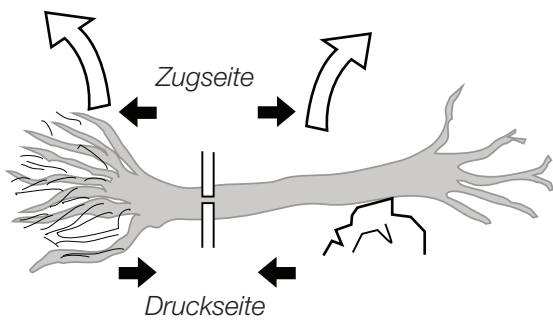


Die Oberseite steht unter Zugspannung, die Unterseite unter Druckspannung.

Warnung: Beim Zersägen splittert der Baum nach oben.

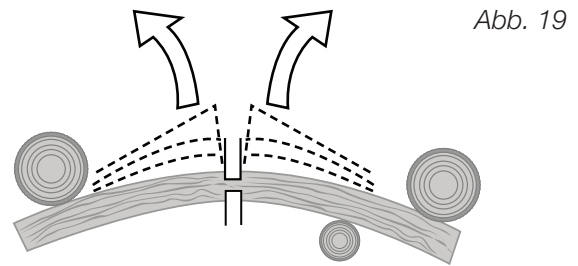
Die Unterseite steht unter Zugspannung, die Oberseite unter Druckspannung.

Warnung: Beim Zersägen schlägt der Baum nach unten.



Die Oberseite steht unter Zugspannung, die Unterseite unter Druckspannung.

Warnung: Beim Zersägen schlägt der Baumstamm schnell mit hoher Kraft nach oben und dreht sich. Der Wurzelstock kann nach vorne oder hinten kippen. In diesem Fall äußerst vorsichtig vorgehen!



Beide Seiten stehen unter Druckspannung.

Warnung: Beim Zersägen kann der Baumstamm zur Seite schlagen. In diesem Fall äußerst vorsichtig vorgehen!

9. Bäume fällen

Diese Kettensäge ist nicht auf das Fällen von Bäumen, sondern primär auf das Sägen von Holz ausgelegt. In Ausnahmefällen kann sie jedoch auch zum Fällen kleinerer Bäume eingesetzt werden. **Bei der geringsten Unsicherheit in Bezug auf die Handhabung der Kettensäge oder auf die Arbeitstechnik unbedingt eine Person mit entsprechender Erfahrung um Rat fragen.**

Bei Forstarbeiten ist stets folgende Schutzausrüstung zu tragen: Helm mit Gehörschutz und Visier, Hosen mit Schnitenschutz, Stiefel oder Schuhe mit Schnitenschutz und selbstverständlich ein Erste-Hilfe-Kasten.

- Kleine Bäume können gewöhnlich gefällt werden, indem der Baumstamm fast vollständig durchtrennt und mit den Händen oder der Schulter in die gewünschte Richtung gedrückt wird. Dabei jedoch nicht ganz durchsägen, sondern ein kleines Stück des Stamms als „Scharnier“ stehen lassen.
- Bei größeren Bäumen ist ein Fallkerb zur Bestimmung der Fallrichtung erforderlich.

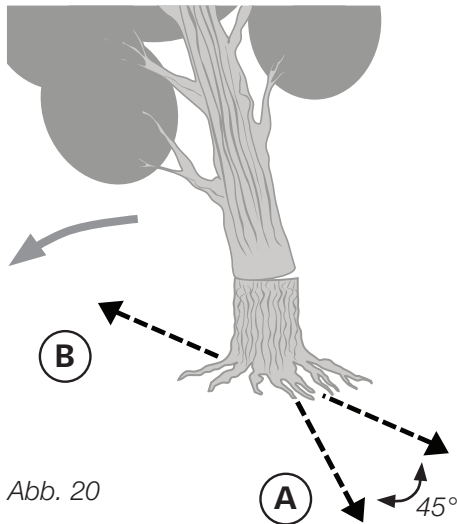


Abb. 20

Warnung! Stets einen Fluchtweg vorbereiten. Bei Bedarf vor dem Fällen den Fluchtweg behindernde Sträucher und Äste entfernen. Der beste Fluchtweg (A) verläuft diagonal rückwärts zur Fällrichtung.

Warnung! Bei abschüssigem Boden stets oberhalb des Baums stehen, da der Baum nach dem Fällen voraussichtlich nach unten rutscht oder rollt.

Hinweis: Die Fallrichtung (B) des Baums wird durch den Fallkerb bestimmt. Vor dem Fällen überprüfen, ob der Baum in eine bestimmte Richtung geneigt ist oder ob sich auf einer Seite besonders große Äste befinden, sodass der Baum eine natürliche Fallrichtung hat.

Warnung! Niemals eigenhändig Bäume fällen, wenn die Gefahr besteht, dass diese auf Objekte wie z. B. Häuser oder Zäune fallen und diese beschädigen könnten. In diesem Fall an einen Fachmann wenden. Niemals einen Baum in der Nähe einer Strom- oder Telefonleitung fällen. Vor dem Arbeitsbeginn sicherstellen, dass sich keine Zuschauer oder Tiere im Fällbereich aufhalten. Gelegentlich von der Arbeit aufsehen, um sich zu vergewissern, dass sich niemand dem Gefahrenbereich nähert.

Für Gewöhnlich umfasst der Fällvorgang zwei Schritte: den Fallkerb (C) und den Fällschnitt (D).

Mit dem oberen Fallkerb (C) auf der Seite des Baums beginnen, die der Fallrichtung (E) zugewandt ist. Anschließend den unteren, waagerechten Fallkerb anbringen, sodass dieser auf den oberen Fallkerb trifft (nicht zu tief schneiden). Der Fallkerb muss breit genug sein, um den Baum im Fall möglichst genau lenken zu können.

Warnung! Niemals vor einem Baum mit einem Fallkerb laufen.

Den Fällschnitt (D) auf der anderen Seite des Baumes und 3–5 cm über dem unteren Fallkerb vornehmen.

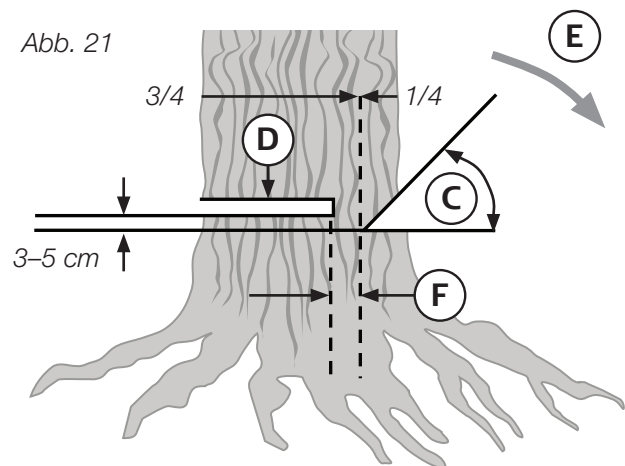


Abb. 21

Den verbleibenden Stamm NIEMALS ganz durchsägen. IMMER eine Bruchleiste (F) stehen lassen. Die Bruchleiste lenkt den Baum während des Falls. Wird der Stamm ganz durchgesägt, kann die Fallrichtung nicht mehr kontrolliert werden, sodass der Baum in jede Richtung fallen kann. Vor Fertigstellung des Schnitts einen Fällkeil oder eine Brechstange in den Fällschnitt treiben. Wird der gesamte Fällschnitt vor Einsetzen des Fällkeils oder der Brechstange in den Fällspalt durchgeführt, kann sich der Baum nach hinten neigen und das Schwert einklemmen. Vor dem Fällen des Baums mithilfe des Fällkeils sicherstellen, dass sich keine Zuschauer oder Haustiere im Gefahrenbereich befinden.

Warnung! Vor der Durchführung des letzten Schnitts sicherstellen, dass sich keine Zuschauer, Haustiere oder sonstige Hindernisse in der Nähe befinden.

1. Mithilfe von Fällkeilen aus Kunststoff oder Holz (A) ein Einklemmen des Schwerts (B) im Fällspalt verhindern.

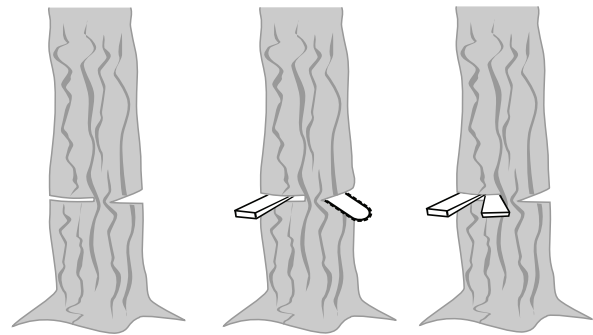
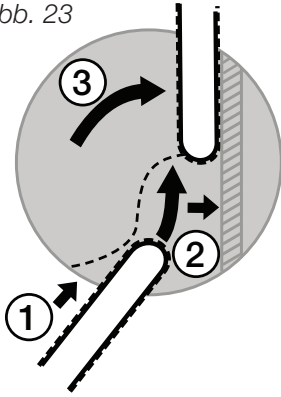


Abb. 22

Abb. 23



2. Ist der Baumdurchmesser größer als die Schwertlänge, sind zwei Schnitte erforderlich.

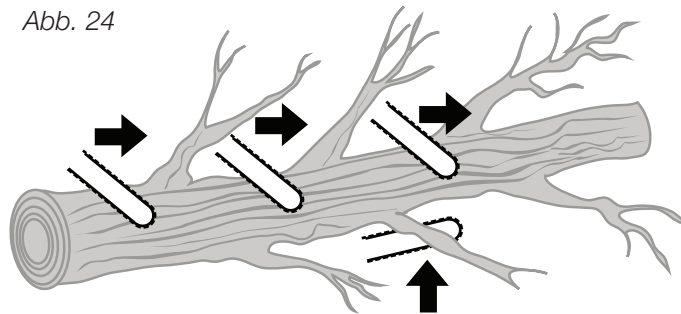
Warnung! Bei Annäherung des Fällschnitts (D) an die Bruchleiste (F) sollte der Baum zu fallen beginnen. Ist dies nicht der Fall, muss mit einem Fällkeil oder einer Brechstange nachgeholfen werden.

Die Kettensäge aus dem Schnitt entfernen, den Motor ausschalten und auf dem geplanten Fluchtweg einige Schritte schräg nach hinten zurückweichen. Den Fall des Baumes überwachen (Siehe Abb. 20).

10. Entasten

Hierunter wird das Abtrennen der Äste vom gefällten Baum verstanden. Zuerst die obersten Äste absägen. Auf der einen Seite des Baumes stehen und die Äste auf der anderen Seite des Baumes entfernen, sodass der Baumstamm als Schutz zwischen Bediener und Säge dient. Vorsicht bei Ästen, die unter Spannung stehen die Säge muss auf der richtigen Seite angesetzt werden, um ein Einklemmen des Schwerts zu vermeiden.

Abb. 24



Warnung! Beim Entasten niemals auf den Baumstamm stellen.

11. Baumstamm ablängen

Hierunter wird das Teilen des gefällten Baumes in Abschnitte verstanden. Auf einen sicheren Stand und ein gutes Gleichgewicht achten. Bei Sägearbeiten am Hang stets oberhalb des Baumstamms stehen. Der Stamm sollte möglichst auf irgendeine Weise abgestützt werden. Wenn er direkt auf dem Boden aufliegt, besteht die Gefahr, dass die Säge den Boden berührt und die Sägekette stumpf wird. Wenn der Baumstamm an beiden Enden aufgebockt ist, muss er zuerst in der Mitte geteilt werden. Zuerst von oben durch den halben Stamm sägen und dann von unten weitersägen, bis die Sägeschnitte aufeinandertreffen. Darauf achten, dass die Sägekette nicht mit dem Boden in Berührung kommt.

1. Wenn die gesamte Länge des Baumstammes gleichmäßig aufliegt: Zuerst von oben sägen, dann den Stamm auf die andere Seite rollen und den Rest wieder von oben durchsägen, bis die Sägeschnitte aufeinandertreffen (Abb. 25).
2. Wenn der Baumstamm an einem Ende aufliegt (z. B. bei Verwendung eines Sägebocks): Zuerst 1/3 des Stammdurchmessers von der Unterseite her sägen, um ein Zerbrechen zu vermeiden. Dann den Rest von oben auf Höhe des Unterschnitts durchsägen.
3. Wenn der Baumstamm an beiden Enden aufliegt: Zuerst 1/3 des Stammdurchmessers von der Oberseite her sägen, um ein Zerbrechen zu vermeiden. Dann den Rest von unten auf Höhe des Oberschnitts durchsägen (Abb. 26).

Abb. 25

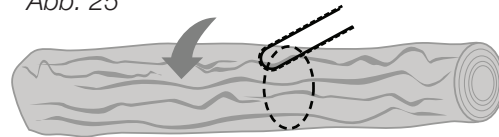
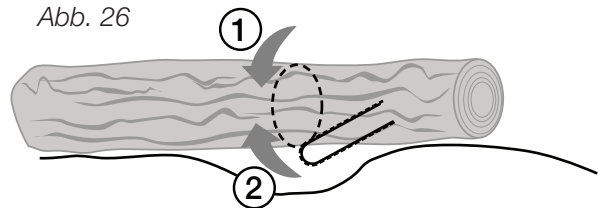


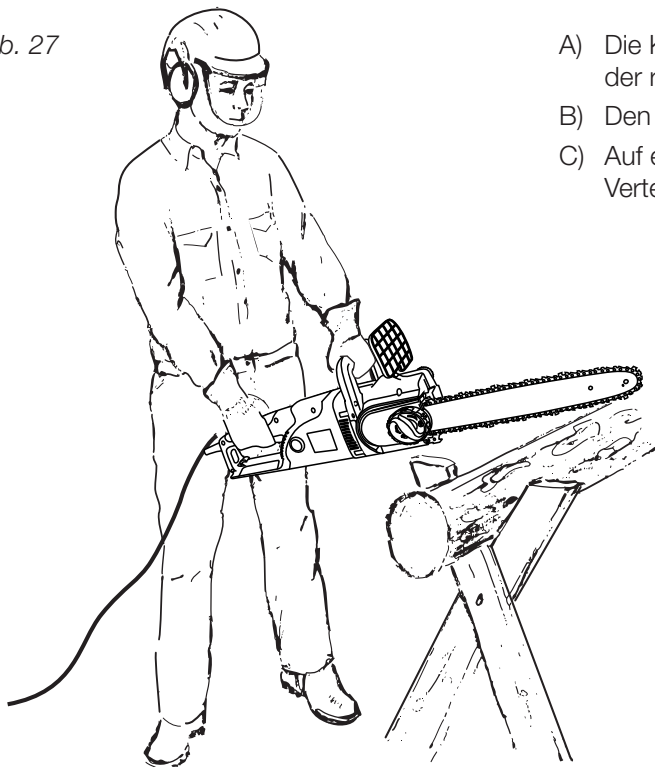
Abb. 26



Achtung: Beim Ablängen am besten eine Stütze verwenden, beispielsweise einen Sägebock. Falls dies nicht möglich ist, kann der Baumstamm mit einem anderen Gegenstand aufgebockt werden. Sicherstellen, dass der Baumstamm sicher liegt und nicht wegrutschen oder wegrollen kann.

Ablängen mithilfe eines Sägebocks

Abb. 27



- A) Die Kettensäge beim Sägen mit beiden Händen auf der rechten Seite des Körpers festhalten.
- B) Den linken Arm so gerade wie möglich halten.
- C) Auf einen sicheren Stand und die gleichmäßige Verteilung des Körpergewichts auf beide Füße achten.

12. Wartung und Pflege

Hinweis: Vor Service- und Einstellarbeiten stets den Stecker des Netzkabels aus der Steckdose ziehen.

Die Lüftungsöffnungen des Motors stets frei von Spänen und Verunreinigungen halten. Die in der Bedienungsanleitung erläuterten Service- und Einstellarbeiten dürfen selbst durchgeführt werden. Alle sonstigen Reparatur-/Einstellarbeiten müssen durch einen Servicetechniker erfolgen. Das Produkt darf nur auf die hier beschriebene Weise verwendet werden, da die Verwendung der Kettensäge sonst nicht sicher ist.

13. Aufbewahrung

Die Kettensäge bei Nichtbenutzung auf einem sauberen, trockenen und ebenen Untergrund entweder sicher verschlossen oder außerhalb der Reichweite von Kindern aufbewahren.

14. Hinweise zur Entsorgung

Dieses Symbol zeigt an, dass das Produkt nicht gemeinsam mit dem Haushaltsabfall entsorgt werden darf. Dies gilt in der gesamten EU. Um möglichen Schäden für die Umwelt und Gesundheit vorzubeugen, die durch fehlerhafte Abfallentsorgung verursacht werden, soll dieses Produkt auf verantwortliche Weise recycelt werden um die nachhaltige Wiederverwertung von stofflichen Ressourcen zu fördern. Bei der Rückgabe des Produktes bitte die vorhandenen Recycling- und Sammelstationen benutzen oder den Händler kontaktieren. Dieser kann das Produkt auf eine umweltfreundliche Weise recyceln.



15. Fehlersuche

Fehler	Ursache	Lösung
Der Motor startet nicht.	Kein Strom.	Steckdose, Kabel, Stecker überprüfen.
		Beschädigtes Stromkabel: Austauschen niemals ein beschädigtes Stromkabel verwenden.
		Beschädigte Schalter müssen durch einen Servicetechniker erneuert werden.
	Rückschlagschutz/Kettenbremse ausgelöst.	Siehe <i>Rückschlagschutz/Kettenbremse lösen (Abb. 5)</i> .
	Verschlissene Kohlenbürsten.	Kohlebürsten durch einen Servicetechniker erneuern lassen.
Kette bewegt sich nicht.	Rückschlagschutz/Kettenbremse ausgelöst.	Siehe <i>Rückschlagschutz/Kettenbremse lösen (Abb. 5)</i> .
Schlechte Leistung.	Falsch montierte Sägekette.	Sägekette falsch herum montiert; Richtung überprüfen.
	Stumpfe Sägekette.	Sägekette schärfen.
	Kettenspannung.	Kettenspannung überprüfen.
Säge läuft schwer, Kette springt vom Schwert.	Kettenspannung.	Kettenspannung überprüfen.
Kette wird heiß.	Kettenschmierung.	Ölstand kontrollieren.
		Kettenschmierung kontrollieren.

16. Technische Daten

Leistung	2400 W
Nennspannung	230 V, 50 Hz
Schnittgeschwindigkeit	14 m/s
Max. Schnitttiefe	350 mm
Gewicht	4,7 kg (ohne Schwert und Kette)
Schalldruckpegel	LpA = 93 dB(A), KpA = 3 dB(A) LwA = 106 dB(A), KwA = 3 dB(A)

Schwingungs-emissionswert	7,5 m/s ² , K = 1,5 m/s ²
Öltankvolumen	110 ml
Sägekette	3/8" 52 Glieder 1,3 mm
Schwert	35 cm (14")

Declaration of Conformity

Försäkran om överensstämmelse

Samsvarerklæring

Vakuutus yhdenmukaisuudesta

Konformitätserklärung



CLAS OHLSON AB
SE-793 85 INSJÖN, SWEDEN

Declares that this product complies with the requirements of the following directives and standards

Intygar att denna produkt överensstämmer med kraven i följande direktiv och standarder

Bekrefter at dette produktet er i samsvar med følgende direktiver og standarder

Vakuuttaa, että tämä tuote täyttää seuraavien direktiivien ja standardien vaatimukset

Erklärt hiermit, dass dieses Produkt die Anforderungen und Bestimmungen folgender Richtlinien erfüllt

ELECTRIC CHAIN SAW

Cocraft 40-9509 / 18-3573
SF7J101-24-SLN / SF7J101-24-SLN

Machinery Directive 2006/42/EC	EMC Directive 2014/30/EU	Low Voltage Directive
EN 60745-1:2009+A11:10 EN 60745-2-13:2009+A1:10	EN 55014-1:2006/A1:2009/A2:2011 EN 5014-2:1997/+A1:2001/+A2:2008 EN 61000-3-2:2014 EN 61000-3-3:2013	

EC type certificate, no. **11SHW1874-04**

Issued by the following notified body:

Utfärdats av följande anmälda organ:

Utstedt av følgende teknisk kontrollorgan:

Myöntänyt seuraava ilmoitettu laitos:

Erteilt durch folgende Benannte Stelle:

**Intertek Deutschland GmbH, Stangenstraße 1,
70771 LEINFELDEN-ECHTERDINGEN**

(Notified Body no. 0905)

Henrik Alfredsson
Manager Technique & Quality

Insjön, Sweden, 2016-10-25

Sverige

Kundtjänst tel: 0247/445 00
 fax: 0247/445 09
 e-post: kundservice@clasohlson.se

Internet www.clasohlson.se

Post Clas Ohlson AB, 793 85 INSJÖN

Norge

Kundesenter tlf.: 23 21 40 00
 faks: 23 21 40 80
 e-post: kundesenter@clasohlson.no

Internett www.clasohlson.no

Post Clas Ohlson AS, Postboks 485 Sentrum,
0105 OSLO

Suomi

Asiakaspalvelu puh.: 020 111 2222
 sähköposti: asiakaspalvelu@clasohlson.fi

Internet www.clasohlson.fi

Osoite Clas Ohlson Oy, Kaivokatu 10 B,
00100 HELSINKI

Great Britain

Customer Service contact number: 020 8247 9300
 e-mail: customerservice@clasohlson.co.uk

Internet www.clasohlson.co.uk

Postal 10 - 13 Market Place
Kingston Upon Thames
Surrey
KT1 1JZ

Deutschland

Kundenservice Hotline: 040 2999 78111
 E-Mail: kundenservice@clasohlson.de

Homepage www.clasohlson.de

Postanschrift Clas Ohlson GmbH, Jungfernstieg 38,
20354 HAMBURG