

40-9930

Cocraft[®]
PRO EDITION

DRILL/DRIVER

18V

PRO DH18-BL

SKRUVDRAGARE DRILL
RUUVINVÄÄNNIN SCHRAUBER



Important!

Read the entire instruction manual carefully and make sure that you fully understand it before you use the equipment. Keep the manual for future reference.

Viktig information:

Läs hela bruksanvisningen noggrant och försäkra dig om att du har förstått den innan du använder utrustningen. Spara bruksanvisningen för framtida bruk.

Viktig informasjon:

Les disse anvisningene nøye og forsikre deg om at du forstår dem, før du tar produktet i bruk. Ta vare på anvisningene for seinere bruk.

Tärkeää tietoa:

Lue nämä ohjeet huolellisesti ja varmista että olet ymmärtänyt ne, ennen kuin alat käyttää laitetta. Säilytä ohjeet myöhempää tarvetta varten.

Wichtiger Hinweis:

Vor Inbetriebnahme die komplette Bedienungsanleitung sorgfältig durchlesen und aufbewahren.



Art.no
40-9930

Model
CDI218LB1.1

Ver. 20170131
Original instructions
Bruksanvisning i original
Originalbruksanvisning
Alkuperäinen käyttöohje
Original Bedienungsanleitung

ENGLISH

SVENSKA

NORSK

SUOMI

DEUTSCH

18 V Drill/Driver

Art.no 40-9930 Model CDI218LB1.1

Please read the entire instruction manual before using the product and then save it for future reference. We reserve the right for any errors in text or images and any necessary changes made to technical data. In the event of technical problems or other queries, please contact our Customer Services (see address details on the back).

Safety

General Power Tool Safety Warnings – Personal Safety

WARNING! Read all safety warnings and all instructions. Failure to follow the warnings and instructions may result in electric shock, fire and/or serious injury.

SAVE ALL WARNINGS AND INSTRUCTIONS FOR FUTURE REFERENCE.

The term “power tool” in the warnings refers to your mains-operated (corded) power tool or battery-operated (cordless) power tool.

1) Work area safety

- a) **Keep work area clean and well lit.** Cluttered or dark areas invite accidents.
- b) **Do not operate power tools in explosive atmospheres, such as in the presence of flammable liquids, gases or dust.** Power tools create sparks which may ignite the dust or fumes.
- c) **Keep children and bystanders away while operating a power tool.** Distractions can cause you to lose control.

2) Electrical safety

- a) **Power tool plugs must match the outlet. Never modify the plug in any way. Do not use any adapter plugs with earthed (grounded) power tools.** Unmodified plugs and matching outlets will reduce risk of electric shock.
- b) **Avoid body contact with earthed or grounded surfaces, such as pipes, radiators, ranges and refrigerators.** There is an increased risk of electric shock if your body is earthed or grounded.
- c) **Do not expose power tools to rain or wet conditions.** Water entering a power tool will increase the risk of electric shock.
- d) **Do not abuse the cord. Never use the cord for carrying, pulling or unplugging the power tool. Keep cord away from heat, oil, sharp edges or moving parts.** Damaged or entangled cords increase the risk of electric shock.
- e) **When operating a power tool outdoors, use an extension cord suitable for outdoor use.** Use of a cord suitable for outdoor use reduces the risk of electric shock.
- f) **If operating a power tool in a damp location is unavoidable, use a residual current device (RCD) protected supply.** Use of an RCD reduces the risk of electric shock.

3) *Personal safety*

- a) **Stay alert, watch what you are doing and use common sense when operating a power tool. Do not use a power tool while you are tired or under the influence of drugs, alcohol or medication.** A moment of inattention while operating power tools may result in serious personal injury.
- b) **Use personal protective equipment. Always wear eye protection.** Protective equipment such as dust mask, non-skid safety shoes, hard hat, or hearing protection used for appropriate conditions will reduce personal injuries.
- c) **Prevent unintentional starting. Ensure the switch is in the off-position before connecting to power source and/or battery pack, picking up or carrying the tool.** Carrying power tools with your finger on the switch or energising power tools that have the switch on invites accidents.
- d) **Remove any adjusting key or wrench before turning the power tool on.** A wrench or a key left attached to a rotating part of the power tool may result in personal injury.
- e) **Do not overreach. Keep proper footing and balance at all times.** This enables better control of the power tool in unexpected situations.
- f) **Dress properly. Do not wear loose clothing or jewellery. Keep your hair, clothing and gloves away from moving parts.** Loose clothes, jewellery or long hair can be caught in moving parts.
- g) **If devices are provided for the connection of dust extraction and collection facilities, ensure these are connected and properly used.** Use of dust collection can reduce dust related hazards.

4) *Power tool use and care*

- a) **Do not force the power tool. Use the correct power tool for your application.** The correct power tool will do the job better and safer at the rate for which it was designed.
- b) **Do not use the power tool if the switch does not turn it on and off.** Any power tool that cannot be controlled with the switch is dangerous and must be repaired.
- c) **Disconnect the plug from the power source and/or the battery pack from the power tool before making any adjustments, changing accessories, or storing power tools.** Such preventive safety measures reduce the risk of starting the power tool accidentally.
- d) **Store idle power tools out of the reach of children and do not allow persons unfamiliar with the power tool or these instructions to operate the power tool.** Power tools are dangerous in the hands of untrained users.
- e) **Maintain power tools. Check for misalignment or binding of moving parts, breakage of parts and any other condition that may affect the power tool's operation. If damaged, have the power tool repaired before use.** Many accidents are caused by poorly maintained power tools.
- f) **Keep cutting tools sharp and clean.** Properly maintained cutting tools with sharp cutting edges are less likely to bind and are easier to control.
- g) **Use the power tool, accessories and tool bits, etc. in accordance with these instructions, taking into account the working conditions and the work to be performed.** Use of the power tool for operations different from those intended could result in a hazardous situation.

5) *Battery tool use and care*

- a) **Recharge only with the charger specified by the manufacturer.** A charger that is suitable for one type of battery pack may create a risk of fire when used with another battery pack.
- b) **Use power tools only with specifically designated battery packs.** Use of any other battery packs may create a risk of injury and fire.
- c) **When battery pack is not in use, keep it away from other metal objects, like paper clips, coins, keys, nails, screws or other small metal objects, that can make a connection from one terminal to another.** Shorting the battery terminals together may cause burns or a fire.
- d) **Under abusive conditions, liquid may be ejected from the battery; avoid contact. If contact accidentally occurs, flush with water. If liquid contacts eyes, additionally seek medical help.** Liquid ejected from the battery may cause irritation or burns.

6) *Service*

- a) **Have your power tool serviced by a qualified repair person using only identical replacement parts.** This will ensure that the safety of the power tool is maintained.

Specific safety instructions for drilling

- a) **Wear ear protectors when hammer drilling.** Exposure to noise can cause hearing loss.
- b) **Use auxiliary handle(s), if supplied with the tool.** Loss of control can cause personal injury.
- c) **Hold power tool by insulated gripping surfaces only, when performing an operation where the cutting accessory may contact hidden wiring.** Cutting accessory contacting a “live” wire may make exposed metal parts of the power tool “live” and could give the operator an electric shock.

Specific safet instructions for battery packs

- a) **Do not dismantle, open or shred cells or the battery pack.**
- b) **Do not short-circuit a battery pack. Do not store battery packs haphazardly in a box or drawer where they may short-circuit each other or be short-circuited by conductive materials.** When the battery pack is not in use, keep it away from other metal objects, like paper clips, coins, keys, nails, screws or other small metal objects, that can make a connection from one terminal to another. Shorting the battery terminals together may cause burns or a fire.
- c) **Do not expose the battery pack to heat or fire. Avoid storage in direct sunlight.**
- d) **Do not subject the battery pack to mechanical shock.**
- e) **In the event of the battery leaking, do not allow the liquid to come into contact with the skin or eyes. If contact has been made, wash the affected area with copious amounts of water and seek medical advice.**
- f) **Seek medical advice immediately if a cell or battery pack has been swallowed.**
- g) **Keep the battery pack clean and dry.**
- h) **Wipe the battery pack terminals with a clean dry cloth if they become dirty.**
- i) **The battery pack needs to be charged before use. Always refer to this instruction and use the correct charging procedure.**
- j) **Do not maintain the battery pack on charge when not in use.**
- k) **After extended periods of storage, it may be necessary to charge and discharge the battery pack several times to obtain maximum performance.**
- l) **The battery pack performs best when it is operated at normal room temperature ($20\text{ }^{\circ}\text{C} \pm 5\text{ }^{\circ}\text{C}$).**
- m) **When disposing of battery packs, keep battery packs of different electrochemical systems separate from each other.**
- n) **Recharge only with the specified charger. Do not use any charger other than that specifically provided for use with the equipment.**
A charger that is suitable for one type of battery pack may create a risk of fire when used with another battery pack.
- o) **Do not use any battery pack which is not designed for use with the equipment.**
- p) **Keep the battery pack out of the reach of children.**
- q) **Retain the original product literature for future reference.**
- r) **Remove the battery from the equipment when not in use.**
- s) **Dispose of properly.**

General safety instructions for batteries and chargers

- Never attempt to dismantle a battery.
- Never store a battery in direct sunlight or at temperatures above 40 °C.
- Only charge the battery when the ambient temperature is between +5 and 40 °C.
- Never expose the battery or charger to water.

Vibration

- The measurement of the vibration emission level declared in this instruction manual has been carried out in accordance with a standardised test method described in EN 60745 and can be used for comparing one power tool with another.
- The measurement method may also be used for a preliminary assessment of vibration exposure.
- The declared vibration emission level applies when the power tool is used in accordance with this instruction manual. If however, the power tool is used for other purposes and with other accessories or has not been properly maintained, the vibration emission level could increase significantly over the total working period.
- For an exact assessment of the vibration exposure, the times when the tool is switched off or running idle should also be taken into account. This significantly reduces the vibration exposure over the total working period. Decide upon safety measures to protect the operator from the effects of vibration during all types of use.

Product safety symbols



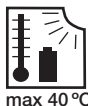
Read the entire instruction manual.



Always use safety glasses, ear defenders and a face mask.



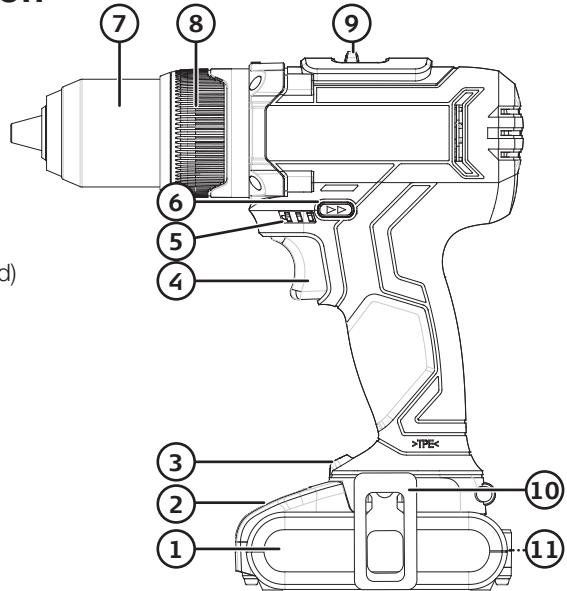
For indoor use only.



Protect the battery against heat, e. g., against continuous intense sunlight, fire, water, and moisture. Danger of explosion.

Product description

1. 18 V/2.0 Ah battery
2. Battery release button
3. Sight light
4. Power trigger (variable speed)
5. Battery status indicator
6. Forward/reverse selector
7. Keyless chuck
8. Torque adjustment and drill mode selector ring
9. Two-speed gear selector
10. Belt clip
11. Battery status indicator



Power trigger

- The direction of rotation (forward or reverse) can be chosen using the selector (6). The selector also has a middle setting which locks the power trigger. If the selector is set to this middle position, the drill will not start. The drill/driver is started and stopped by squeezing and releasing the power trigger (4).
- The drill/driver is equipped with a variable speed control, which makes it extremely practical for driving screws. The more the power trigger is squeezed, the higher the chuck rotation speed.

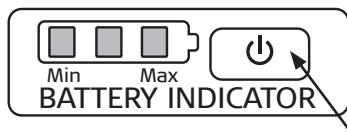
Light

The drill/driver is equipped with a light which is positioned down close to the battery so that it can light up the work area without being obscured by the chuck. The light comes on when the power trigger is squeezed and goes off when the power trigger is released.

Battery indicators

Note: The indicators give a general picture of the battery's actual charge status. The percentages shown below should therefore be considered as approximate indicators. The readings from the two different indicators can differ somewhat from each other.

- One battery indicator (11) is found on the battery. Press the button on the side of the battery indicator to display the current battery status.
- One battery indicator (5) is found on the drill/driver itself. Press the trigger halfway to display the current battery status.



At full, 100 % charge, all three LEDs shine. At 90 % charge, one LED goes out and two LEDs will be lit. At 25 % charge, two LEDs are unlit and only one LED will be lit. If none of the LEDs are lit, the battery is completely discharged and needs charging.

Screwdriver mode

Use the torque/drill mode selector ring (8) to set a suitable torque setting. The correct torque setting will disengage the drive at the preset torque to prevent screws from being over-tightened or driven in too far. The setting should be based on the type and size of screw and the material being screwed into. Always start at the lowest setting and increase in increments to find the correct setting.

Hammer drill mode

Set the torque/drill mode selector ring (8) (**T**) to hammer drill mode and ideally the gear selector to **2** for maximum efficiency.

High/Low gear

The gear selector (9) has two settings. Setting **1**: 0–450 rpm, setting **2**: 0–1600 rpm.

Charging

Note: Only use the supplied charger. The battery needs to be charged fully before initial use.

1. Remove the battery from the drill/driver by pressing the battery release button (2) and sliding the battery out. If the battery feels hot after heavy use, allow it to cool properly before charging it.
2. Connect the charger to a wall socket. The green LED will come on.
3. Insert the battery into the charger. The green LED will go out and the red LED will come on whilst the battery is being charged.

4. When the battery has been fully charged, the green LED will come on.
 - The charging time is approximately 40 min.
 - The battery may become hot whilst it is being charged. This is completely normal.
 - The battery and charger function best at normal room temperature. Do not charge the battery in direct sunlight or in temperatures below 5 °C. The temperature range for charging is 5–40 °C.
 - When the battery becomes discharged, the electronics of the battery will turn the drill off automatically.
 - For long-term storage (months) the battery should first be fully charged.

Overload protection and other safety features


The drill/driver and its battery have a number of safety features that prevent damage to the machine and battery during use.

- During short high-load situations the overload protection may turn off the drill/driver and battery. This protection resets automatically. Release the trigger, wait a few seconds, ensure that there is no-load and restart the drill. The drill/driver should now function normally again.
- During high-load situations for an extended period of time the overheating protection will turn off the drill/driver and battery. Self-resetting once the drill/driver returns to normal operating temperature. Let the machine cool properly before trying to restart it. Adverse temperatures can occur in direct sunlight and should therefore be avoided.
- The battery has low-voltage protection which comes into effect when the battery becomes discharged. The low-voltage protection turns off the machine automatically and the battery should then be recharged.

Changing drill and screwdriver bits

The drill/driver has a keyless chuck which enables drill or screwdriver bits to be changed with one hand. Twist the chuck to the left to tighten, to the right to untighten. Make sure that the bit sits centred and secured in the chuck.

Drilling tips and advice

- Set the torque dial (8) to drill mode (.
- When drilling into slippery materials, like tiles, you should place a strong piece of tape on the area in which you wish to drill to prevent the bit from wandering.
- When drilling into metal you should first use a centre punch to make a small indentation at the spot where you wish to drill. This indentation will help hold the bit in place and prevents it from wandering when you drill.
- When drilling into metal you should also use cutting oil to assist in drilling and to preserve the machine and drill bit.
- Always use a clamp or vice to hold the workpiece.
- When drilling into walls, make sure not to damage water pipes, electricity cables or gas pipes.

Care and maintenance

- Keep the motor ventilation openings free from contaminants.
- Clean the product using a lightly moistened cloth. Use only mild cleaning agents, never solvents or corrosive chemicals.
- Make sure the battery is fully charged before storing the product if it is not to be used for a longer period.
- Store the product in a dry environment and out of the reach of children if it is not to be used for a longer period.

Troubleshooting guide

Problem	Possible cause	Solution
The machine does not start.	Flat/discharged battery.	Recharge the battery.
	The battery is overheated.	Let the battery cool down.
	Faulty power trigger.	Contact our Customer Services.
The machine is slow and/or shuts off.	Blunt or damaged drill bit.	Replace drill bit.
	Too much pressure applied.	Decrease applied pressure.
	Flat/discharged battery.	Recharge the battery.
	The battery is overheated.	Let the battery cool down.
	The motor is overheated.	Let the machine cool down.
Unusual sounds and/or strong vibrations.	The drill/screwdriver bit is not centred or incorrectly fitted.	Make sure that the drill/screwdriver bit is centred, correctly inserted and securely fixed.

Responsible disposal

This symbol indicates that this product should not be disposed of with general household waste. This applies throughout the entire EU. In order to prevent any harm to the environment or health hazards caused by incorrect waste disposal, the product must be handed in for recycling so that the material can be disposed of in a responsible manner. When recycling your product, take it to your local collection facility or contact the place of purchase. They will ensure that the product is disposed of in an environmentally sound manner.



Specifications

Charger power supply	100–240 V, 50/60 Hz
No-load speed	0–450/1600 rpm
Battery	18 V/2.0 Ah
Torque settings	18 + drill mode + hammer mode, max 40 Nm
Noise emission data	L _{pA} 82 dB(A) (uncertainty K _{pA} : 3 dB L _{wA} 93 dB(A) (uncertainty K _{wA} : 3 dB Ear protection must be worn when the sound level exceeds: 80 dB(A)
Vibration value	a _{h, ID} 9.397 m/s ² K: 1.5 m/s ² (hammer drilling into concrete) a _{h, D} 2.270 m/s ² , K: 1.5 m/s ² (drilling into steel)
Weight	1.35 kg

Skruvdragare 18 V

Art.nr 40-9930 Modell CDI218LB1.1

Läs igenom hela bruksanvisningen före användning och spara den sedan för framtida bruk. Vi reserverar oss för ev. text- och bildfel samt ändringar av tekniska data. Vid tekniska problem eller andra frågor, kontakta vår kundtjänst (se adressuppgifter på baksidan).

Säkerhet

Generella säkerhetsinstruktioner för laddbara handverktyg

Varning! Läs alla instruktioner. Om nedanstående instruktioner inte följs kan detta leda till elektrisk stöt, brand eller allvarlig skada. Termen "elektriskt handverktyg" i varningstexten nedan refererar till ditt nätanslutna eller batteridrivna handverktyg.

SPARA DESSA INSTRUKTIONER!

1) Arbetsutrymmet

- a) **Håll arbetsutrymmet rent och väl upplyst.** Belamrade och mörka utrymmen inbjuder till olyckor.
- b) **Använd inte elektriska handverktyg i explosiva miljöer, som i närheten av lättantändliga vätskor, gaser eller damm.** Elektriska handverktyg genererar gnistor som kan antända damm och ångor.
- c) **Håll barn och åskådare på avstånd när du använder det elektriska handverktyget.** Störningsmoment kan göra att du tappar kontrollen över verktyget.

2) Elektrisk säkerhet

- a) **Det elektriska handverktygets stickpropp måste passa i vägguttaget. Modifiera aldrig stickproppen på något vis. Använd aldrig adapter tillsammans med jordade elektriska handverktyg.** Omodifierade stickproppar och passande vägguttag minskar risken för elektrisk stöt.
- b) **Undvik kroppskontakt med jordade föremål, som rör, element, köksspis eller kylskåp.** Det innebär ökad risk för elektrisk stöt om din kropp är jordad.
- c) **Utsätt inte det elektriska handverktyget för regn eller våta förhållanden.** Om vatten tränger in i ett elektriskt handverktyg ökar det risken för elektrisk stöt.
- d) **Misshandla inte nätsladden. Använd aldrig nätsladden för att bära eller dra handverktyget eller för att rycka stickproppen ur vägguttaget. Håll undan nätsladden från värme, olja, vassa kanter och rörliga delar.** Skadade eller trassliga nätsladdar ökar risken för elektrisk stöt.
- e) **När du använder ett elektriskt handverktyg utomhus, använd en skarvsladd anpassad för detta ändamål.** Användning av en skarvsladd för utomhusbruk minskar risken för elektrisk stöt.
- f) **Om du måste använda ett elektriskt handverktyg på en fuktig plats, anslut verktyget till elnätet via en jordfelsbrytare.** Användning av jordfelsbrytare minskar risken för elektrisk stöt.

3) Personlig säkerhet

- a) **Var uppmärksam på vad du gör och använd sunt förnuft när du använder ett elektriskt handverktyg. Använd inte ett elektriskt handverktyg om du är trött eller påverkad av droger, alkohol eller medicinering.** Ett ögonblicks ouppmärksamhet när du använder ett elektriskt handverktyg kan resultera i allvarlig personskada.
- b) **Använd skyddsutrustning. Bär alltid skyddsglasögon.** Användning av skyddsutrustning som andningskydd, halksäkra skyddsskor, hjälm och hörselskydd vid behov minskar risken för personskada.
- c) **Undvik oavsiktlig start. Se till att strömbrytaren är i läge OFF innan du ansluter stickproppen till vägguttaget.** Att bära ett elektriskt handverktyg med ett finger på strömbrytaren/avtryckaren eller att ansluta ett elektriskt handverktyg till elnätet när strömbrytaren är i läge ON inbjuder till olyckor.
- d) **Ta bort alla serviceverktyg/nycklar innan du slår på det elektriska handverktyget.** Ett kvarglömmt serviceverktyg på en roterande del av det elektriska handverktyget kan resultera i personskada.
- e) **Sträck dig inte för långt. Se till att du står stadigt med god balans hela tiden.** Detta möjliggör bättre kontroll i oväntade situationer.
- f) **Bär lämplig klädsel. Bär inte löst sittande kläder eller smycken. Håll undan hår, kläder och handskar undan från rörliga delar.** Lösa kläder, smycken eller långt hår kan fastna i rörliga delar.
- g) **Om utrustning för utsugning och uppsamling av damm finns tillgänglig, se till att denna är ansluten och används.** Användning av dessa hjälpmedel kan minska dammrelaterade faror.

4) Användning och underhåll av det elektriska handverktyget

- a) **Pressa inte det elektriska handverktyget. Använd ett elektriskt handverktyg som är avsett för det arbetsmoment du utför.** Korrekt elektriskt handverktyg gör jobbet bättre och säkrare med avsedd matningshastighet.
- b) **Använd inte det elektriska handverktyget om strömbrytaren inte slår på och stänger av verktyget.** Alla elektriska handverktyg som inte kan kontrolleras med strömbrytaren är farliga och måste repareras.
- c) **Ta stickproppen ur vägguttaget innan du utför några justeringar, byter tillbehör eller lägger undan det elektriska handverktyget för förvaring.** Dessa åtgärder i förebyggande syfte minskar risken för att starta det elektriska handverktyget oavsiktligt.
- d) **Förvara elektriska handverktyg som inte används utom räckhåll för barn och låt inte personer som inte är förtrogna med det elektriska handverktyget eller dessa instruktioner använda det.** Elektriska handverktyg är farliga om de kommer i händerna på ovana användare.
- e) **Underhåll elektriska handverktyg. Kontrollera om något är felinställt, om rörliga delar kärvar, om delar har gått sönder eller om något annat inträffat som kan påverka funktionen hos det elektriska handverktyget. Om något är skadat måste det repareras före användning.** Många olyckor beror på dåligt underhållna elektriska handverktyg.

- f) **Håll verktygen vassa och rena.** Ordentligt underhållna skärverktyg med vassa eggar är mindre benägna att kärva och lättare att kontrollera.
- g) **Använd det elektriska handverktyget, tillbehör och liknande enligt instruktionerna och på det sätt som är ämnat för just den typen av elektriskt handverktyg, och ta även hänsyn till arbetsförhållandena och den typ av arbete som ska utföras.** Användning av det elektriska handverktyget för andra arbeten än vad det är ämnat för kan resultera i en farlig situation.

5) Användning och service av det laddbara handverktyget

- a) **Se till att strömbrytaren är i avstängt läge innan du monterar batteriet.** Att montera batteriet på ett elektriskt handverktyg som har strömbrytaren i påslaget läge inbjuder till olyckor.
- b) **Ladda batteriet endast med en laddare som är utvald av tillverkaren.** En laddare som passar till en typ av batteri kan orsaka brandrisk om den används till en annan typ av batteri.
- c) **Använd laddbara handverktyg endast tillsammans med därför ämnade batterier.** Användning av andra batterier kan orsaka skade- och brandrisk.
- d) **När batteriet inte används, förvara det på avstånd från andra metallföremål som gem, mynt, nycklar, spikar, skruvar eller andra små metallföremål som kan skapa kontakt från den ena batteripolen till den andra.** Kortslutning av batteripolerna kan orsaka brännskador eller brand.
- e) **Om batteriet misshandlas kan syra läcka ut. Undvik kontakt med syran. Om du av misstag kommer i kontakt med syran, spola med vatten. Om syran kommer i kontakt med ögonen, uppsök läkare.** Syra som kommer från batteriet kan orsaka irritation och brännskador.

6) Service

- a) **Låt behörig personal utföra service och reparationer, och endast med original-reservdelar.** Detta garanterar att säkerheten hos det elektriska handverktyget behålls.

Särskilda säkerhetsföreskrifter för borrar

- a) **Använd hörselskydd vid slagborring.** Ljudnivåerna vid slagborring kan leda till hörselskador.
- b) **Använd extrahandtag om sådant medföljer verktyget.** Om du förlorar kontrollen över verktyget kan detta leda till personskada.
- c) **Håll endast i verktygets isolerade handtag när du arbetar i miljöer där skärverktyget kan komma i kontakt med strömförande elledningar.** Om skärverktyget kommer i kontakt med strömförande elledningar kan detta leda till att verktygets metalldelar blir strömförande, vilket kan leda till elektrisk stöt.

Särskilda säkerhetsföreskrifter för batterier/batteripack

- a) **Försök aldrig öppna, ta isär eller på något annat sätt skada eller göra åverkan på batteriet.**
- b) **Kortslut inte batteriet. Förvara inte batteriet på sådant sätt att det kan komma i kontakt med andra batterier eller med andra strömledande föremål.** När batteriet inte används, håll det på avstånd från alla metallföremål, t.ex. gem, mynt, nycklar, spikar och skruvar. Dessa föremål kan skapa kontakt mellan batteriets terminaler och kortsluta batteriet, vilket kan leda till brännskador eller brand.
- c) **Utsätt inte batteriet för värme eller öppen eld. Förvara inte batteriet i ihållande solljus.**
- d) **Utsätt inte batteriet för slag och stötar.**
- e) **Om batteriet läcker, låt inte vätskan komma i kontakt med hud eller ögon. Om så har skett, skölj omedelbart det utsatta området med rikligt med vatten och ta kontakt med läkare.**
- f) **Om batteriet eller delar av det har svalts, sök omedelbart kontakt med läkare.**
- g) **Håll batteriet rent och torrt.**
- h) **Rengör batteriet med en ren, torr trasa.**
- i) **Batteriet måste laddas innan det används. Följ alltid anvisningarna i den här bruksanvisningen och använd rätt laddmetod.**
- j) **Låt inte batteriet stå på laddning under längre perioder när det inte används.**
- k) **Om batteriet har lagrats under en längre period kan det behöva laddas och urladdas ett flertal gånger innan det uppnår sin fulla kapacitet.**
- l) **Batteriet har bäst kapacitet när det används i rumstemperatur (20 °C, ±5 °C).**
- m) **När batteriet ska lämnas till återvinning, håll batterier med olika elektrokemisk uppbyggnad separerade från varandra.**
- n) **Ladda batteriet endast med den medföljande laddaren. Använd ingen annan laddare än den som är speciellt utformad och avsedd för det aktuella batteriet.** En laddare som är avsedd för en viss typ av batterier kan, om den används till andra batterier, leda till brand.
- o) **Använd inte ett batteri som är avsett för annat verktyg än det som beskrivs i den här bruksanvisningen.**
- p) **Håll batteriet utom räckhåll för barn.**
- q) **Spara alla originaldokument som medföljer verktyget, för framtida bruk.**
- r) **Ta ut batteriet ur verktyget när det inte används.**
- s) **När du ska göra dig av med produkten ska detta ske enligt lokala föreskrifter.**

Säkerhetsinstruktioner för batterier och laddare

- Försök aldrig att öppna batteriet.
- Förvara aldrig batteriet i direkt solljus eller vid temperaturer över 40 °C.
- Ladda batteriet endast i temperaturer mellan 5 och 40 °C.
- Utsätt aldrig batteriet eller laddaren för vatten.

Vibration

- Mätningen av den vibrationsnivå som anges i denna bruksanvisning har utförts enligt en mätmetod som är standardiserad i EN 60745 och kan användas vid jämförelse av olika elektriska handverktyg.
- Mätmetoden är även lämplig för preliminär bedömning av vibrationsbelastningen.
- Den angivna vibrationsnivån gäller när det elektriska handverktyget används på det sätt som beskrivs i den här bruksanvisningen. Om däremot det elektriska handverktyget används för andra ändamål och med andra tillbehör eller inte har underhållits ordentligt kan vibrationsnivån under arbetsperioden öka betydligt.
- För en exakt bedömning av vibrationsbelastningen bör även de tider beaktas när det elektriska handverktyget är frånkopplat eller är igång utan att det används. Detta reducerar vibrationsbelastningen betydligt för den totala arbetsperioden. Bestäm säkerhetsåtgärder för att skydda operatören mot vibrationernas inverkan vid alla typer av användning.

Produktmärkning med säkerhetssymboler



Läs hela bruksanvisningen.



Använd hörselskydd, skyddsglasögon och andningskydd.



Endast för inomhusbruk.



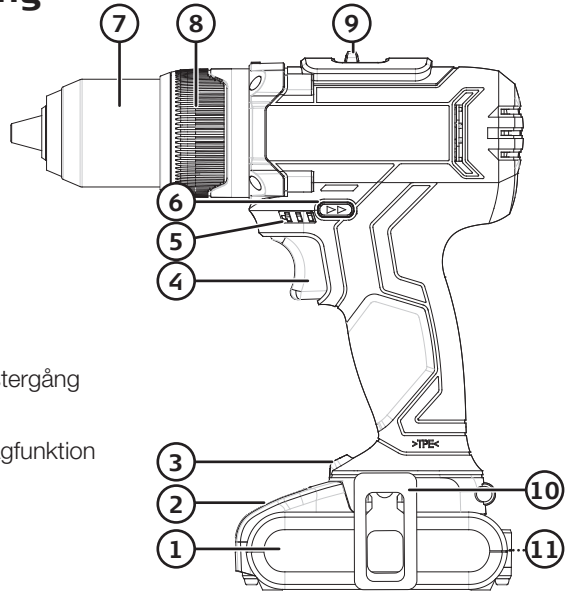
max 40 °C



Håll batteriet på avstånd från värme, t.ex. ihållande solljus eller öppen eld, vatten och fukt. Risk för explosion.

Produktbeskrivning

1. Batteri 18 V/2,0 Ah
2. Batterilås
3. Belysning
4. Strömbrytare (steglös)
5. Indikator för batteristatus
6. Omkopplare för höger-/vänstergång
7. Nyckellös chuck
8. Vred för vridmoment och slagfunktion
9. Reglage för hög-/lågväxel
10. Bälteshållare
11. Indikator för batteristatus



Strömbrytaren

- Välj höger- eller vänstergång med omkopplaren (6). Omkopplaren har även ett mittenläge där strömbrytaren är låst. När omkopplaren står i mittenläget kan skruvdragaren inte startas. Starta och stoppa skruvdragaren genom att trycka in och släppa strömbrytaren (4).
- Skruvdragaren är utrustad med steglös varvtalsreglering, vilket är utmärkt speciellt vid skruvdragning. Ju mer strömbrytaren trycks in, desto högre blir varvtalet.

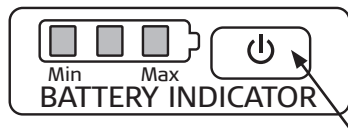
Belysning

Skruvdragaren är utrustad med belysning som för att ge bästa ljus är placerad nere vid batteriet för att inte skymmas av chucken. Belysningen tänds när strömbrytaren trycks in och slocknar när den släpps.

Batteriindikatorer

Obs! Indikatorerna ger en ungefärlig bild av batteriets laddstatus, procenttalen nedan är att betrakta som ungefärliga uppgifter. De två indikatorerna kan ibland skilja sig åt något.

- En batteriindikator (11) finns på batteriet, tryck in knappen till höger om indikatorn för visning av batteristatus.
- En batteriindikator (5) finns också på skruvdragaren, tryck in strömbrytaren till hälften för visning av batteristatus.



Vid fulladdat batteri (100 %) lyser alla tre dioderna. Vid ca 90 % kvar släcks en och två dioder lyser. Vid ca 25 % kvar släcks ytterligare en och endast en diod lyser. Lyser ingen diod är batteriet helt urladdat och måste laddas.

Skruvdragning

Skruvdragaren har ett vred (8) för inställning av lämpligt vridmoment. Vid rätt inställning släpper skruvdragaren vid det förinställda vridmomentet för att undvika att skruven dras för långt. Inställningen beror på skruvtyp och skruvstorlek samt materialet du skruvar i. Börja alltid på det lägsta vridmomentet och öka stegvis för att hitta lämplig inställning.

Slagborrning

Ställ vredet (8) i slagborrläge (T) och använd med fördel läge **2** på växellådan för högsta effektivitet.

Hög-/lågväxel

Reglaget (9) har två lägen: läge **1**: 0–450 rpm, läge **2**: 0–1600 rpm (rpm = varv/minut).

Laddning

Obs! Använd endast medföljande laddare. Batteriet måste vara fulladdat innan det används första gången.

1. Ta bort batteriet från skruvdragaren genom att trycka in batterilåset (2) och skjuta ut batteriet från skruvdragaren. Om batteriet är mycket varmt t.ex. efter hård belastning ska det svalna innan laddningen påbörjas.
2. Anslut laddaren till ett vägguttag. Den gröna lysdioden tänds.

3. Placera batteriet i laddaren. Den gröna lysdioden släcks och den röda lysdioden lyser med ett fast sken när laddning pågår.
4. När batteriet är fulladdat lyser den gröna lysdioden med ett fast sken.
 - Laddtiden är ca 40 min.
 - Batteriet kan bli varmt vid laddning. Detta är helt normalt.
 - Laddaren och batteriet fungerar bäst vid normal rumstemperatur. Ladda inte i direkt solljus eller i lägre temperaturer. Temperaturområde för laddning är 5–40 °C.
 - När batteriet blir urladdat stänger batteriets elektronik av skruvdragaren automatiskt.
 - Vid längre förvaring (månader) ska batteriet vara laddat.

Överbelastning och skydd

Maskinen/batteriet har ett antal skydd för att undvika skada på maskin och batteri.

- Vid kortvarig hög belastning kan överbelastningsskyddet stänga av maskinen/batteriet. Skyddet är självåterställande. Släpp strömbrytaren och vänta några sekunder, se till att maskinen är utan belastning och starta den på nytt. Den ska nu fungera normalt igen.
- Vid hög belastning under längre tid kan ett överhettningsskydd stänga av maskinen/batteriet. Skyddet är självåterställande men maskinen går inte att starta förrän temperaturen sjunkit till en säker nivå. Låt den svalna innan du försöker starta. Skadliga temperaturer kan även uppstå vid direkt solljus, vilket ska undvikas.
- Batteriet har ett underspänningsskydd vilket träder in när batteriet blir urladdat. Underspänningsskyddet stänger då av maskinen automatiskt och batteriet måste laddas.

Byte av borr eller bits

Maskinen har en nyckellös chuck som gör det enkelt att byta borr eller bits med en hand. Vrid till vänster för att greppa, till höger för att lossa. Försäkra dig om att borren sitter ordentligt fast och är centrerad i chucken.

Råd och tips om borring

Borring

- Ställ vredet (8) i borrläget (8).
- Vid borring i glatta material, t.ex. klinker, bör du sätta en kraftig tejpbitt där du ska borra så att borren inte glider åt sidan.
- Vid borring i metall bör du först använda en körnare och göra en liten grop där du ska borra. Denna lilla grop fixerar sedan borren på rätt ställe så att den inte glider åt sidan.
- Vid borring i metall bör du även använda gäng-/skärolja för att spara på verktygen.
- Använd alltid tving/skruvstycke för att hålla fast ämnet som ska bearbetas.
- Vid borring i vägg, se till att inte skada vatten-, el- eller gasledning etc.

Skötsel och underhåll

- Håll alltid motorns ventilationsöppningar fria från föroreningar.
- Rengör produkten med en lätt fuktad trasa. Använd ett mildt rengöringsmedel, aldrig lösningsmedel eller frätande kemikalier.
- Om produkten inte ska används under en längre period ska batteriet vara fulladdat när produkten läggs undanför för förvaring.
- Förvara produkten torrt, utom räckhåll för barn om den inte ska användas under en längre period.

Felsökningschema

Problem	Möjlig orsak	Åtgärd
Maskinen går inte.	Batteriet urladdat.	Ladda batteriet.
	Batteriet överhettat.	Låt batteriet svalna.
	Fel på strömbrytaren.	Kontakta kundtjänst.
Maskinen går sakta och/eller stängs av.	Slö eller skadad borra.	Byt ut borren.
	För hård matning.	Minska på matningen.
	Batteriet urladdat.	Ladda batteriet.
	Batteriet överhettat.	Låt batteriet svalna.
	Motorn överhettad.	Låt maskinen svalna.
Ovanliga ljud och/eller höga vibrationer.	Borren/verktyget är inte centrerat eller är felaktigt monterat.	Kontrollera att borren/verktyget är centrerat, korrekt monterat och åtdraget.

Avfallshantering

Denna symbol innebär att produkten inte får kastas tillsammans med annat hushållsavfall. Detta gäller inom hela EU. För att förebygga eventuell skada på miljö och hälsa, orsakad av felaktig avfallshantering, ska produkten lämnas till återvinning så att materialet kan tas omhand på ett ansvarsfullt sätt. När du lämnar produkten till återvinning, använd dig av de returhanteringssystem som finns där du befinner dig eller kontakta inköpsstället. De kan se till att produkten tas om hand på ett för miljön tillfredställande sätt.



Specifikationer

Nätanslutning laddare	100–240 V, 50/60 Hz
Varvtal	0–450/1600 v/min
Batterier	18 V/2,0 Ah
Ställbart moment	18 + borr + slag, max 40 Nm
Ljud	LpA 82 dB(A) (onoggrannhet KpA: 3 dB LwA 93 dB(A) (onoggrannhet KwA: 3 dB Använd hörselskydd när ljudet överstiger 80 dB(A)
Vibrationsvärde	$a_{h, ID}$ 9,397 m/s ² , K: 1,5 m/s ² (slagborrning i betong) $a_{h, D}$ 2,270 m/s ² , K: 1,5 m/s ² (borrning i metall)
Vikt	1,35 kg

Drill 18 V

Art.nr. 40-9930 Modell CDI218LB1.1

Les brukerveiledningen grundig før produktet tas i bruk, og ta vare på den for framtidig bruk. Vi reserverer oss mot eventuelle feil i tekst og bilder, samt endringer av tekniske data. Ved tekniske problemer eller spørsmål, ta kontakt med vårt kundesenter. (Se opplysninger på baksiden).

Sikkerhet

Generelle sikkerhetsinstruksjoner for ladbare håndverktøy

Advarsel! Les gjennom hele brukerveiledningen. Hvis ikke veiledningene følges kan dette føre til elektrisk støt, brann og/eller andre alvorlige skader. Med «elektrisk håndverktøy» i den følgende teksten menes verktøy som enten er koblet til strømmettet eller drevet med batterier.

TA VARE PÅ DENNE VEILEDNINGEN.

1) Arbeidsplassen

- a) **Hold arbeidsplassen ren, ryddig og godt opplyst.** Rot og dårlig opplyst arbeidsplass kan forårsake ulykker.
- b) **Ikke bruk elektriske håndverktøy på plasser med lettantennelige væsker, gasser eller støv.** Elektrisk håndverktøy kan danne gnister, som igjen kan antenne støv eller trespon.
- c) **Hold barn og andre på god avstand når håndverktøy er i bruk.** Forstyrrelser kan føre til at man mister kontrollen.

2) Sikkerhet ved bruk av elektrisk strøm

- a) **Støpselet til det elektriske verktøyet må passe i strømmuttaket. Støpselet må ikke endres på. Bruk aldri adapter sammen med elektrisk håndverktøy som krever jording.** Ved bruk av originale støpsler reduseres faren for elektrisk støt.
- b) **Unngå kroppskontakt med jodede gjenstander, som rør, ovner, komfyrer, kjøleskap etc.** Kroppskontakt med disse kan gi elektrisk støt.
- c) **Elektrisk håndverktøy bør ikke utsettes for regn eller fuktighet.** Hvis det kommer vann inn i et elektrisk håndverktøy, øker faren for elektrisk støt.
- d) **Påse at ikke strømledningen blir skadet. Bær aldri apparatet i strømledningen. Trekk heller ikke i strømledningen når støpselet skal tas ut av strømmuttaket. Hold ledningen unna varme, olje, skarpe kanter og bevegelige deler.** Skadede eller deformerte ledninger kan gi elektrisk støt.

- e) **Ved bruk av elektrisk håndverktøy utendørs, skal man benytte en skjøteledning som er beregnet til dette formålet.** Når skjøteledning, som er beregnet for utendørs bruk, benyttes, reduseres faren for elektrisk støt.
- f) **Dersom det elektriske håndverktøyet skal brukes i fuktige omgivelser, må verktøyet kobles til stømnettet via en jordfeilbryter.** Bruk av jordfeilbryter reduserer faren for elektrisk støt.

3) Personlig sikkerhet

- a) **Vær våken og bruk sunn fornuft ved bruk av elektriske verktøy. Ikke bruk elektriske håndverktøy når du er trett eller påvirket av rusmidler, alkohol eller sterke medisiner.** Når du bruker elektrisk håndverktøy kan et lite øyeblikks uoppmerksomhet resultere i store personskader.
- b) **Bruk verneutstyr. Benytt alltid vernebriller.** Bruk av verneutstyr som støvmaske, skliskre såler på skoene, hjelm og hørselsvern ved behov, reduserer faren for personskade.
- c) **Unngå uønsket oppstart. Påse at strømbryteren står i posisjon OFF før strømmen kobles til.** Det å bære et elektrisk håndverktøy med en finger på avtrekkeren/strømbryteren, eller å koble til strømmen mens strømbryteren står i posisjon ON, kan forårsake ulykker.
- d) **Fjern alle nøkler/serviceverktøy før det elektriske håndverktøyet startes.** Et gjenglemt serviceverktøy på en roterende del, kan forårsake personskader.
- e) **Strekk deg ikke for langt. Påse at du står stødig og har god balanse under hele arbeidsoperasjonen.** Da er du bedre forberedt når uventede situasjoner oppstår.
- f) **Bruk fornuftige arbeidsklær. Ikke bruk løstsittende klær og smykker. Hold klær, hansker og smykker unna bevegelige deler.** Løstsittende klær, smykker eller langt hår, kan feste seg i bevegelige deler.
- g) **Hvis det er mulig å koble til en støvsamler/støvsuger, bør dette gjøres.** Ved bruk av slike hjelpemidler, kan en redusere faren for støvrelaterte skader og ulykker.

4) Bruk og vedlikehold av det elektriske håndverktøyet

- a) **Ikke press et elektrisk håndverktøy. Bruk elektriske håndverktøy som er beregnet til den arbeidsoperasjonen du skal utføre.** Riktig hastighet på matingen er viktig for å utføre bedre og sikrere arbeid.
- b) **Ikke bruk det elektriske håndverktøyet dersom det er feil på strømbryteren og den ikke skrur verktøyet på/av med din kontroll.** Alt elektriske håndverktøy, som ikke kan kontrolleres med en strømbryter, er farlige og må repareres.
- c) **Trekk ut støpselet før justeringer utføres, ved skifte av tilbehør eller når verktøyet legges til oppbevaring.** Dette for å unngå at elektrisk håndverktøy får en ukontrollert start.
- d) **Oppbevar elektrisk håndverktøy utilgjengelig for barn. Påse også at elektrisk håndverktøy er utilgjengelig for personer som ikke har fått tilstrekkelig opplæring på eller er fortrolige med verktøyet.** Elektriske håndverktøy kan være farlige hvis de kommer uvedkommende i hende.

- e) **Hold det elektriske håndverktøyet ved like. Kontroller at verktøyet ikke er feilinnstilt, at bevegelige deler ikke beveger seg usymmetrisk, at ingen deler er skadet eller at det elektriske håndverktøyet har andre feil som kan påvirke dets funksjon. Dersom noe er skadet må dette repareres før verktøyet tas i bruk.** Mange ulykker skyldes dårlig eller manglende vedlikehold.
- f) **Hold verktøyene skarpe og rene. Påse også at det elektriske verktøyet holdes skarpt.** Godt vedlikeholdt skjæreverktøy, med skarpe egger, er lettere å kontrollere.
- g) **Følg instruksjonen, ta hensyn til arbeidsforholdene og hva slags type arbeid som skal utføres.** Bruk av elektrisk håndverktøy til andre arbeidsoperasjoner enn det som det er beregnet til, kan skape farlige situasjoner.

5) *Bruk og service av det ladbare håndverktøyet*

- a) **Påse at strømbryteren er skrudd av før du monterer batteriet.** Hvis batteriet monteres på et elektrisk håndverktøy med strømbryteren skrudd på, kan det føre til ulykker.
- b) **Lad batteriene kun med lader som er bestemt av produsenten.** En lader som er beregnet for en type batteri kan forårsake brann når den blir brukt til en annen type batterier.
- c) **Ladbare håndverktøy må kun brukes med egnede batterier.** Bruk av annet batteri kan føre til skade eller brann.
- d) **Når batteriet ikke er i bruk, må det oppbevares på god avstand fra metallgjenstander som; mynter, nøkler, spiker, skruer o.l. som kan lede strøm fra den ene batteripolen til den andre.** Kortslutting av batteripolene kan forårsake brann eller brannskader.
- e) **Hvis batteriet vannskjøttes kan syre lekke ut. Unngå kontakt med batterisyre. Hvis du ved et uhell skulle komme i kontakt med batterisyre må du straks skylle deg med vann. Dersom syren kommer i kontakt med øynene, må lege oppsøkes.** Syre fra batteriet kan forårsake irritasjon og brannskader.

6) *Service*

- a) **La profesjonelle fagfolk utføre service og reparasjoner. Benytt kun originale reservedeler.** Dette for å opprettholde sikkerheten ved bruk av det elektriske håndverktøyet.

Spesielle sikkerhetsforskrifter for boring

- a) **Bruk hørselvern ved slagboring.** Lydnivået ved slagboring kan føre til hørselskader.
- b) **Bruk ekstrahåndtaket dersom verktøyet leveres med et slikt.** Hvis du mister kontrollen over verktøyet kan det føre til personskader.
- c) **Hold i den isolerte delen på håndtaket når du jobber i miljøer der skjæreverktøyet kan komme i kontakt med strømførende kabler.** Hvis skjæreverktøyet kommer i kontakt med strømførende kabler kan det føre til at metalldelene på verktøyet blir strømførende, noe som igjen kan føre til elektrisk støt.

Spesielle sikkerhetsforskrifter for batterier/batteripakker

- a) **Batteriet må ikke forsøkes åpnet eller skades på annen måte.**
- b) **Kortslutt ikke batteriet. Batteriet må ikke oppbevares slik at det kan komme i kontakt med andre batterier eller andre strømførende gjenstander.**
Når batteriet ikke er i bruk skal det holdes unna alle gjenstander av metall som f.eks. binders, mynter, nøkler, spikre og skruer. Disse gjenstandene kan lage kontakt mellom batteriets poler og kortslutte det. Dette kan i sin tur føre til brann og brannskader.
- c) **Utsett ikke batterier for varme eller åpen ild. Batteriet må ikke oppbevares i vedvarende sollys.**
- d) **Utsett aldri batterier for slag eller støt.**
- e) **Hvis batteriet lekker må man sørge for at ikke væsken kommer i kontakt med hud eller øyne. Hvis dette skulle skje, må man skylle det utsatte området umiddelbart med rikelig med vann og kontakte lege.**
- f) **Hvis batteriet eller deler av det svelges må man umiddelbart kontakte lege.**
- g) **Hold batteriet tørt og rent.**
- h) **Batteriet rengjøres med en ren, tørr klut.**
- i) **Batteriet må lades før det tas i bruk. Følg alltid anvisningene i denne brukerveiledningen og bruk riktig lademetode.**
- j) **La ikke batteriet bli stående til lading i lengre tid hvis det ikke er i bruk.**
- k) **Hvis batteriet er blitt lagret over en lengre periode kan det hende at det må lades opp og lades ut igjen flere ganger før det oppnår full kapasitet.**
- l) **Batteriet har best ytelse ved romtemperatur (20 °C, ±5 °C).**
- m) **Når batteriet skal leveres til resirkulering skal batterier med forskjellige elektrokjemisk oppbygning holdes adskilt.**
- n) **Batteriet skal kun lades med den medfølgende laderen. Ikke bruk andre ladere til batteriet enn det som er spesialutformet og beregnet til akkurat dette.**
En lader som er beregnet til en viss type batterier kan, hvis det brukes til andre typer, føre til brann.
- o) **Ikke bruk batteri som er beregnet brukt til et annet verktøy enn det som er beskrevet her i denne brukerveiledningen.**
- p) **Hold batteriet utenfor barns rekkevidde.**
- q) **Ta godt vare på alle originaldokumenter som følger med verktøyet.**
- r) **Ta batteriene ut av verktøyet når det ikke er i bruk.**
- s) **Når produktet skal kasseres, må det skje i henhold til lokale forskrifter.**

Sikkerhetsinstruksjoner for batterier og ladere

- Batteriet må ikke åpnes.
- Oppbevar aldri batterier i direkte sollys eller ved temperaturer over 40 °C.
- Ladetemperatur for batterier bør ligge på mellom 5 til 40 °C.
- Batterier og lader må ikke utsettes for vann.

Vibrasjon

- Målingen av vibrasjonsnivået som er oppgitt i denne bruksanvisningen er utført i henhold til en standard målemetode etter EN60745 og kan benyttes ved sammenlikning av forskjellige elektriske håndverktøy.
- Målemetoden kan også benyttes til foreløpige målinger av vibrasjonsbelastningen.
- Vibrasjonsnivået som er oppgitt gjelder når det elektriske håndverktøyet brukes som beskrevet i bruksanvisningen. Hvis verktøyet skal brukes til andre formål og med annet tilbehør eller ikke er tilstrekkelig vedlikeholdt kan vibrasjonsnivået øke betraktelig.
- For å få en grundig vurdering av vibrasjonsbelastningen bør man også ta i betraktning den tiden håndverktøyet er frakoblet eller er i gang uten å bli brukt. Dette reduserer vibrasjonsbelastningen betydelig for den totale arbeidsperioden. Når man skal vurdere sikkerhetstiltak mot vibrasjonenes påvirkning på operatøren bør det tas hensyn til alle typer bruk av håndverktøyet.

Produktmerking med sikkerhetssymboler



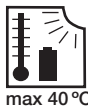
Les hele bruksanvisningen.



Bruk alltid vernebriller, hørselsvern og støvmaske.



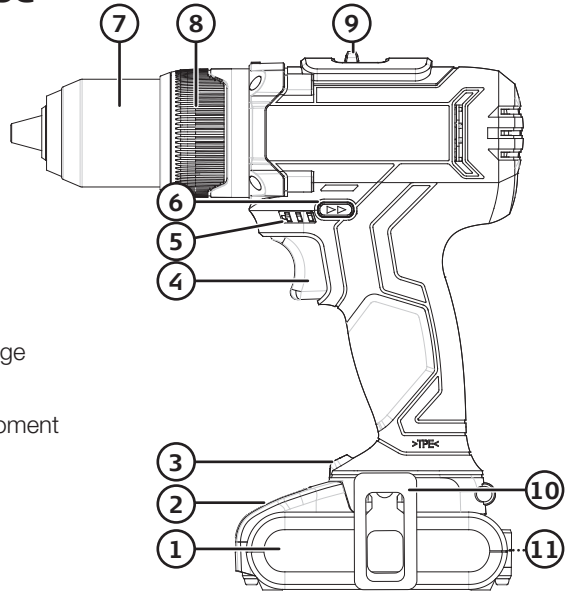
Kun til innendørs bruk.



Hold batteriet på god avstand fra varme, som f.eks. vedvarende sollys, åpen ild, vann og fuktighet. Fare for eksplosjon.

Produktbeskrivelse

1. Batteri 18 V/2,0 Ah
2. Batterilås
3. Belysning
4. Strømbryter (trinnløs)
5. Indikasjon for batteristatus
6. Bryter for høyre-/venstregange
7. Nøkkelfri chuck
8. Ratt for innstilling av dreiemoment og slagfunksjon
9. Omkobler for høyt/lavt gir
10. Belteholder
11. Indikasjon for batteristatus



Strømbryteren

- Velg høyre- eller venstregange med bryteren (6). Den har også en midtre stilling, og i denne innstillingen er strømbryteren låst. Hvis bryteren plasseres i den midtre innstillingen kan ikke verktøyet startes. Verktøyet startes og stoppes ved å trykke inn og slippe opp strømbryteren (4).
- Maskinen er utstyrt med trinnløs turtallregulering, noe som er utmerket, spesielt når man skal skru. Jo lengre du trykker avtrekkeren inn, desto høyere blir turtallet.

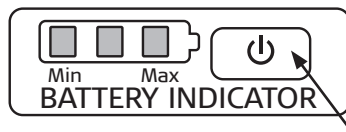
Belysning

Drillen er utstyrt med en lykt som er plassert ved batteriet for å gi best mulig lys. Lyset tennes når strømbryteren trykkes inn og slukkes når den slippes opp.

Batteriindikatorer

Obs! Indikatorene gir et tilnærmet riktig bilde av batteriets ladestatus. Prosenttallene nedenfor er ca. De to indikatorene kan av og til skille seg ut.

- På batteriet er det en indikator (11). Trykk inn den høyre knappen for visning av status.
- Det er også en batteriindikator (5) på drillen. Trykk strømbryteren halvveis inn for visning av batteristatus.



Når batteriet er 100 % fulladet lyser alle tre diodene. Ved ca. 90 % kapasitet igjen slukkes én av diodene og de to andre lyser. Når det er 25 % igjen slukker en diode til og det er kun én som lyser. Hvis ingen av diodene lyser er batteriet helt utladet og må lades.

Skrutrekker

Skrutrekkeren har et ratt (8) for innstilling av ønsket dreiemoment. Ved riktig innstilling slipper skrutrekkeren når den oppnår det forhåndsinnstilte dreiemomentet, for å unngå at skruen trekkes til for hardt. Styrken på momentet er avhengig av skruetype og størrelse, og hva skags materiale du skrur i. Start alltid med lavt dreiemoment og øk gradvis.

Slagboring

Still rattet (8) i slagboremodus (**T**). Bruk gjerne posisjon **2** på girkassen for å få den høyeste effektiviteten.

Høy-/lavgir

Bryteren (9) har to innstillinger: posisjon **1** gir 0–450 o/min, posisjon **2** gir 0–1600 o/min.

Lading

Obs! Bruk kun den medfølgende laderen. Før førstegangs bruk må batteriet være fulladet.

1. Batteriet tas ut av drillen ved å trykke inn batterilåsen (2) for så å trekkes ut. Hvis batteriet er varmt, f.eks. etter hard belastning, må det avkjøles før ladingen starter.
2. Støpselet kobles til et strømuttak. Den grønne lysdioden tennes.
3. Plasser batteriet i laderen. Den grønne dioden slukker og den røde lyser med et jevnt lys når lading pågår.

4. Når batteriet er fulladet lyser den grønne dioden med et jevnt skinn.
 - Ladetiden er ca. 40 minutter.
 - Batteriet kan bli varmt ved lading. Dette er helt normalt.
 - Både lader og batteri fungerer best ved normal romtemperatur. Lad ikke i direkte sollys eller ved kalde temperaturer. Omgivelsestemperatur ved lading bør ligge på mellom 5 og 40 °C.
 - Når batteriet er utladet vil elektronikken i batteriet skru av maskinen automatisk.
 - Ved lengre oppbevaring (flere måneder) skal batteriet være ladet.

Overbelastning og beskyttelse


Maskinen/batteriet er utstyrt med diverse beskyttelser for å unngå skader på maskinen og batteriet.

- Ved kortvarig høy belastning kan overbelastningsvernet stenge maskinen/batteriet. Beskyttelsen stilles tilbake av seg selv. Slipp strømbryteren og vent i noen sekunder. Pass på at maskinen ikke er belastet og start den på nytt. Nå skal maskinen fungere vanlig igjen.
- Ved høy belastning over lengre tid kan et overopphetingsvern skru av maskinen/batteriet. Beskyttelsen stilles seg tilbake selv etter at temperaturen har sunket til et sikkert nivå. La maskinen/batteriet avkjøles før den startes igjen. For høye temperaturer kan også oppstå ved direkte sollys. Utsett derfor ikke maskinen for direkte sollys over tid.
- Batteriet har en verneanordning som virker inn når batteriet er utladet. Denne skrur av maskinen automatisk og batteriet må lades.

Skifte av bor eller bits

Maskinen har en nøkkelløs chuck som gjør skifte av bor eller bits svært enkelt for hånd. Drei til venstre for å skru igjen og til høyre for å løsne. Forviss deg om at boret sitter godt fast og at det er sentrert i chucken.

Råd og tips om boring

- Still inn rattet (8) på boremodus ().
- Ved boring i materialer med glatt overflate, som i keramiske fliser etc., bør man feste en kraftig teipbit der man skal bore. Dette for at boret ikke skal gli bort fra punktet du ønsker å bore.
- Ved boring i metall bør du først bruke en kjørner og lage en grop der du skal bore. Denne gropen forhindrer at boret glir sideveis når boringen starter.
- Ved boring i metall bør du også bruke gjenge-/skjærolje for å spare verktøyet.
- Bruk alltid tvinge/skrustikke for å holde emnet som skal bearbeides fast.
- Ved boring i vegg må man forsikre seg om at det ikke bores i vannrør, strømkabler, gassledninger etc.

Stell og vedlikehold

- Hold alltid ventilasjonsåpningene på motoren frie for forurensninger.
- Rengjør produktet med en lett fuktet klut. Bruk et mildt rengjøringsmiddel, aldri løsningsmidler eller etsende kjemikalier.
- Når produktet ikke skal brukes på en stund skal batteriet være fulladet når det stues bort.
- Drillen skal oppbevares tørt og utenfor barns rekkevidde.

Feilsøking

Problem	Mulig årsak	Tiltak
Maskinen virker ikke.	Batteriet er utladet.	Lad batteriet.
	Batteriet er overopphetet.	La batteriet avkjøles.
	Feil på strømbryteren.	Kontakt kundeservicen.
Maskinen går sakte og/eller skrur seg av.	Sløvt eller skadet bor.	Skift det.
	For hard mating.	Reduser matingen.
	Batteriet er utladet.	Lad batteriet.
	Batteriet er overopphetet.	La batteriet avkjøles.
Motoren er overopphetet.	La motoren avkjøles.	
Ulyd fra maskinen og/eller store vibrasjoner.	Boret/verktøyet er ikke sentrert eller er feil montert.	Kontroller at boret/verktøyet er sentrert og riktig montert og trukket til.

Avfallshåndtering

Symbolet viser til at produktet ikke skal kastes sammen med husholdningsavfallet. Dette gjelder i hele EØS-området. For å forebygge eventuelle skader på helse og miljø, som følge av feil håndtering av avfall, skal produktet leveres til gjenvinning, slik at materialet blir tatt hånd om på en ansvarsfull måte. Benytt miljøstasjonene som er der du befinner deg eller ta kontakt med forhandler. De kan se til at produktet blir behandlet på en tilfredsstillende måte som gagnar miljøet.



Spesifikasjoner

Spenning	100–240 V, 50/60 Hz
Turtall	0–450/1600 o/min
Batterier	18 V/2,0 Ah
Justerbart moment	18 + bor + slag, maks 40 Nm
Lyd	LpA 82 dB(A) (unøyaktighet KpA: 3 dB) LwA 93 dB(A), (unøyaktighet KwA: 3 dB) Bruk hørselsvern når lyden overstiger 80 dB(A)
Vibrasjonsverdi	$a_{h, D}$ 9,397 m/s ² , K: 1,5 m/s ² (slagboring i betong) $a_{h, D}$ 2,270 m/s ² , K: 1,5 m/s ² (boring i metall)
Vekt	1,35 kg

Ruuvinväännin 18 V

Tuotenro 40-9930

Malli CDI218LB1.1

Lue käyttöohje ennen tuotteen käyttöönottoa ja säilytä se tulevaa tarvetta varten. Pidätämme oikeuden teknisten tietojen muutoksiin. Emme vastaa mahdollisista teksti- tai kuvavirheistä. Jos tuotteeseen tulee teknisiä ongelmia, ota yhteys myymälään tai asiakaspalveluun (yhteystiedot käyttöohjeen lopussa).

Turvallisuus

Ladattavien käsityökalujen yleisiä turvallisuusohjeita

Varoitus! Lue kaikki ohjeet. Seuraavien ohjeiden noudattamatta jättäminen saattaa johtaa sähköiskuun, tulipaloon ja/tai vakavaan onnettomuuteen. Varoitus tekstien termi ”sähkökäyttöinen käsityökalu” tarkoittaa verkkovirralla tai akulla toimivaa käsityökaluasi.

SÄÄSTÄ NÄMÄ OHJEET!

1) Työtilat

- a) **Pidä työtilat puhtaina ja hyvin valaistuin.** Täynnä tavaraa olevat ja pimeät tilat lisäävät onnettomuusriskiä.
- b) **Älä käytä sähkökäyttöisiä käsityökaluja räjähdysriskissä ympäristössä, kuten helposti syttyvien nesteiden, kaasujen tai pölyn lähellä.** Sähkökäyttöiset käsityökalut muodostavat kipinöitä, jotka saattavat sytyttää pölyn tai höyryt.
- c) **Pidä lapset ja vierailijat loitolla, kun käytät sähkökäyttöisiä käsityökaluja.** Häiriötekijät saattavat johtaa laitteen hallinnan menettämiseen.

2) Sähköturvallisuus

- a) **Sähkökäyttöisen käsityökalun pistokkeen tulee sopia pistorasiaan. Älä muuta pistoketta millään tavalla. Älä käytä sovittua maadoitettujen sähkökäyttöisten käsityökalujen kanssa.** Muuttamattomat pistokkeet ja sopivat pistorasiat vähentävät sähköiskun riskiä.
- b) **Vältä koskettamasta maadoitettuja esineitä, kuten putkia, lämpöpattereita, hellaa tai jääkaappia.** Sähköiskun riski kasvaa, mikäli kehosi on maadoitettu.
- c) **Älä altista sähkökäyttöistä käsityökalua sateelle äläkä käytä sitä kosteissa olosuhteissa.** Veden joutuminen sähkökäyttöiseen käsityökaluun lisää sähköiskun vaaraa.
- d) **Käsittele sähköjohtoa varoen! Älä käytä sähköjohtoa laitteen kantamiseen äläkä irrota pistoketta pistorasiasta johdosta vetämällä. Älä altista virtajohtoa kuumuudelle, öljyille, teräville reunoille tai liikkuville osille.** Vioittuneet tai sotkeutuneet virtajohdot lisäävät sähköiskun vaaraa.

- e) **Kun käytät sähkökäyttöistä käsityökalua ulkona, käytä ainoastaan ulkokäyttöön sopivia jatkojohtoja.** Ulkokäyttöön sopivan jatkojohdon käyttäminen vähentää sähköiskun vaaraa.
- f) **Jos sähkökäyttöistä käsityökalua käytetään kosteassa ympäristössä, se tulee liittää sähköverkkoon vikavirtasuojakytkimen kautta.** Vikavirtasuojakytkimen käyttö vähentää sähköiskun vaaraa.

3) *Oma turvallisuutesi*

- a) **Ole tarkkaavainen ja käytä tervettä järkeä, kun työskentelet sähkökäyttöisellä käsityökalulla. Älä käytä sähkökäyttöistä käsityökalua, mikäli olet väsynyt tai huumeiden, lääkkeiden tai alkoholin vaikutuksen alainen.** Lyhyenkin hetken kestävä tarkkaavaisuuden herpaantuminen saattaa johtaa vakavaan loukkaantumiseen.
- b) **Käytä suojavarusteita. Käytä aina suojalaseja.** Suojavarusteiden, kuten hengityssuojaimen, liukuestekenkien, kypärän ja kuulosuojaimien, käyttäminen vähentää loukkaantumisvaaraa.
- c) **Vältä tahatonta käynnistystä. Varmista, että virtakytkin on asennossa OFF, ennen kuin liität pistokkeen pistorasiaan.** On äärimmäisen vaarallista kantaa sähkökäyttöistä käsityökalua sormi liipaisimella tai liittää sähkökäyttöinen käsityökalu pistorasiaan virtakytkimen ollessa ON-asennossa.
- d) **Poista kaikki huoltotyökalut/avaimet, ennen kuin käynnistät sähkökäyttöisen käsityökalun.** Sähkökäyttöisen käsityökalun liikkuvan osan päälle unohdettu työkalu saattaa johtaa onnettomuuteen.
- e) **Älä kurota liian pitkälle. Varmista, että työasentosi on tasapainoinen työn jokaisessa vaiheessa.** Näin olet paremmin varustautunut mahdollisen onnettomuuden sattuessa.
- f) **Käytä tarkoituksenmukaisia vaatteita. Älä käytä löysiä vaatteita tai koruja. Pidä hiukset, vaatteet ja käsineet loitolla liikkuvista osista.** Löysät vaatteet, korut tai pitkät hiukset saattavat juuttua liikkuviin osiin.
- g) **Jos käytössäsi on pölynpoistojärjestelmä, käytä sitä.** Näiden apuvälineiden käyttö saattaa vähentää pölyyn liittyviä vaaroja.

4) *Sähkökäyttöisten käsityökalujen käyttäminen ja huoltaminen*

- a) **Älä pakota sähkökäyttöistä käsityökalua. Käytä sähkökäyttöistä käsityökalua, joka soveltuu suunnittelemaasi työtehtävään.** Sopiva sähkökäyttöinen käsityökalu tekee työn paremmin ja turvallisemmin oikealla nopeudella.
- b) **Älä käytä sähkökäyttöistä käsityökalua, mikäli virtakytkin ei käynnistä ja sammuta laitetta.** Kaikki sähkökäyttöiset käsityökalut, joita ei voida hallita virtakytkimellä, ovat vaarallisia ja ne tulee korjata.
- c) **Irrota pistoke pistorasiasta, ennen kuin teet sähkökäyttöiseen käsityökaluun säätöjä, vaihdat sen varusteita tai asetat sen säilytykseen.** Nämä ennaltaehkäisevät toimenpiteet vähentävät sähkökäyttöisen käsityökalun tahatonta käynnistymistä.

- d) Säilytä sähkökäyttöisiä käsityökaluja lasten ulottumattomissa. Älä luovuta sähkökäyttöistä käsityökalua henkilöille, jotka eivät tunne sitä tai sen käyttö-ohjetta. Sähkökäyttöiset käsityökalut ovat vaarallisia tottumattoman käyttäjän käsissä.
- e) Huolla sähkökäyttöisiä käsityökaluja. Tarkasta, että säädöt ovat kunnossa, liikkuvat osat liikkuvat esteettä, osat ovat ehjiä ja että sähkökäyttöisessä käsityökalussa ei ole muita seikkoja, jotka vaikuttavat laitteen toimintaan. Jos jokin osa on vioittunut, se tulee korjata ennen käyttöä.
- Monet onnettomuudet johtuvat väärin hoidetuista sähkökäyttöisistä käsityökaluista.
- f) Pidä työkalut puhtaina ja terävinä. Terätyökalun hallinta on helpompaa, kun se on oikein hoidettu ja sen terät ovat teräviä.
- g) Käytä sähkökäyttöistä käsityökalua, sen varusteita tms. ohjeiden mukaisesti ja sellaisella tavalla, joka sopii kyseiselle sähkökäyttöiselle käsityökalulle, ja ota myös huomioon työskentelyolosuhteet ja suoritettava työ. Sähkökäyttöisen käsityökalun käyttäminen muihin kuin sille tarkoitettuihin työtehtäviin saattaa johtaa vaaratilanteeseen.

5) Ladattavien käsityökalujen käyttäminen ja huoltaminen

- a) Varmista, että laite on sammutettu virtakytkimestä, ennen kuin asennat akun. Jos asennat akun käsityökaluun, jonka virtakytkin on päällä, onnettomuusriski on ilmeinen.
- b) Lataa akku ainoastaan valmistajan hyväksymällä laturilla. Tietyn tyyppiselle akulle sopiva laturi saattaa aiheuttaa tulipalon, jos sitä käytetään vääräntyyppisen akun lataukseen.
- c) Käytä akkukäyttöisessä käsityökalussa vain siihen soveltuvia akkuja. Vääräntyyppisten akkujen käyttäminen saattaa johtaa onnettomuuteen tai tulipaloon.
- d) Kun akkua ei käytetä, sitä tulee säilyttää poissa metalliesineiden ulottuvilta (esim. paperiliittimet, kolikot, avaimet, naulat tai muut metalliesineet), jotka saattavat muodostaa kontaktin akun napojen välille. Akun napojen oikosulku saattaa aiheuttaa palovammoja tai tulipalon.
- e) Vahingoittuneesta akusta saattaa vuotaa akkuhappoa. Vältä kosketusta hapon kanssa. Jos kuitenkin joudut kosketuksiin hapon kanssa, huuhtele kohta vedellä. Mikäli happoa joutuu silmiin, hakeudu lääkäriin. Akun happo saattaa aiheuttaa ärsytystä ja palovammoja.

6) Huolto

- a) Laitteen saa huoltaa ja korjata ainoastaan ammattihenkilö ja huollossa tulee käyttää ainoastaan alkuperäisosa. Näin taataan sähkökäyttöisen käsityökalun turvallisuus.

Porausta koskevia turvallisuusohjeita

- a) **Käytä kuulosuojaimia iskuporauksen aikana.** Iskuporauksen melutaso saattaa johtaa kuulovaurioihin.
- b) **Käytä tukikahvaa, jos koneen mukana tulee sellainen.** Koneen hallinnan menettäminen saattaa johtaa loukkaantumiseen.
- c) **Pidä kiinni ainoastaan koneen eristetyistä kahvoista, kun työskentelet paikoissa, jossa terä voi joutua kosketuksiin jännitteisten johtojen kanssa.** Terän kosketaminen jännitteiseen johtoon saattaa tehdä koneen metalliosista jännitteisiä, mikä voi johtaa sähköiskuun.

Akkuja koskevia turvallisuusohjeita

- a) **Älä yritä avata, purkaa, muuttaa tai vahingoittaa akkua.**
- b) **Älä oikosulje akkua. Älä säilytä akkua paikassa, jossa se voi joutua kosketuksiin muiden akkujen tai jännitteisten esineiden kanssa.** Kun akkua ei käytetä, huolehdi siitä, että se ei joudu kosketuksiin metalliesineiden, kuten paperiliitinten, kolikoiden, avainten, naulojen ja ruuvien kanssa. Nämä esineet saattavat muodostaa kontaktin akun napojen välillä, mikä voi aiheuttaa oikosulun, joka voi johtaa palovammoihin tai tulipaloon.
- c) **Älä altista akkua kuumuudelle tai avotulelle. Älä säilytä akkua auringonvalossa.**
- d) **Älä altista akkua kolhuille tai iskuille.**
- e) **Jos akku vuotaa, huolehdi, että neste ei joudu kosketuksiin ihon tai silmien kanssa. Jos näin käy, huuhtelee nesteelle altistunut alue runsaalla vedellä ja hakeudu lääkäriin.**
- f) **Jos akku tai sen osia on nieltä, hakeudu välittömästi lääkäriin.**
- g) **Pidä akku puhtaana ja kuivana.**
- h) **Puhdista akku kuivalla ja puhtaalla liinalla.**
- i) **Akku tulee ladata ennen käyttöä. Noudata aina tämän käyttöohjeen latausohjeita.**
- j) **Älä jätä akkua liian pitkäksi aikaa lataukseen.**
- k) **Jos akku on ollut pitkään käyttämättä, se saavuttaa täyden kapasiteetin vasta, kun se on ladattu ja tyhjennetty useita kertoja.**
- l) **Akun kapasiteetti on paras, kun sitä käytetään huoneenlämmössä (20 °C, ±5 °C).**
- m) **Kun viet akun kierrätykseen, pidä se erillään erityyppisistä akuista.**
- n) **Lataa akkua vain mukana tulevalla laturilla. Käytän akun lataukseen vain sille soveltuvaa laturia.** Vääräntyyppisen laturin käyttäminen saattaa johtaa tulipaloon.
- o) **Älä käytä akkua, joka on tarkoitettu muulle, kuin tässä käyttöohjeessa mainitulle työkalulle.**
- p) **Pidä akku poissa lasten ulottuvilta.**
- q) **Säästä kaikki työkalun mukana tulevat ohjeet ja asiakirjat.**
- r) **Poista akku työkalusta, kun et käytä työkalua.**
- s) **Kierrätä tuote asianmukaisesti, kun poistat sen käytöstä.**

Akkua ja laturia koskevia turvallisuusohjeita

- Älä yritä avata akkua.
- Älä koskaan säilytä akkua suorassa auringonvalossa tai yli 40 °C:n lämpötiloissa.
- Akun latauksen sallittu lämpötila-alue on 5...40 °C.
- Älä altista akkua tai sen laturia vedelle.

Tärinä

- Käyttöohjeessa ilmoitetun tärinäarvon mittaaminen on suoritettu EN 60745 -standardisoidulla mittaustavalla, ja se soveltuu sähkökäyttöisten käsityökalujen vertailuun.
- Mittaustapa soveltuu myös tärinäkuormituksen alustavaan arviointiin.
- Ilmoitettu tärinäarvo toteutuu, kun sähkökäyttöistä käsityökalua käytetään käyttöohjeessa kuvatulla tavalla. Jos sähkökäyttöistä käsityökalua käytetään muihin tarkoituksiin ja muilla tarvikkeilla tai jos sitä ei ole huollettu kunnolla, käytön aikainen tärinäarvo saattaa kasvaa huomattavasti.
- Tarkan tärinäkuormituksen arvioimiseksi pitää huomioida ajat, jolloin sähkökäyttöinen käsityökalu ei ole kytkettynä tai kun se on käynnissä ilman, että sitä käytetään. Tämä vähentää huomattavasti koko työskentelyjakson tärinäkuormitusta. Päätä turvallisuustoimenpiteet suojataksesi käyttäjää tärinän vaikutukselta kaikissa käyttötarkoituksissa.

Tuotteen merkinnät ja turvallisuussymbolit



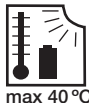
Lue koko käyttöohje.



Käytä aina suojalaseja, kuulosuojaimia ja hengityssuojainta.



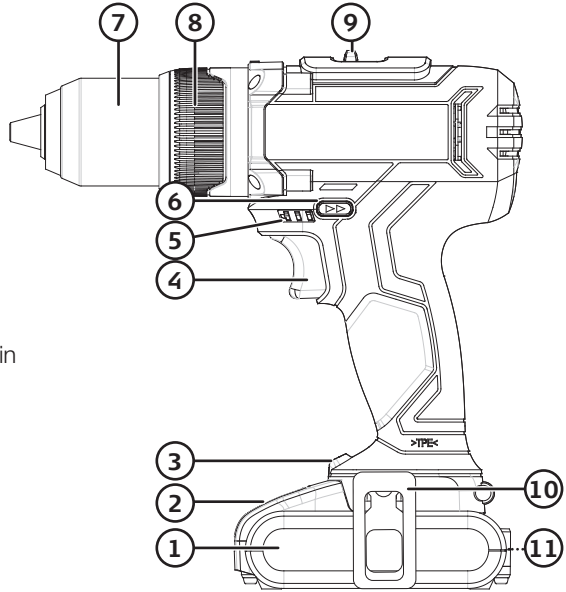
Vain sisäkäyttöön.



Pidä akku loitolla kuumista paikoista, kuten auringonvalosta ja tulesta sekä vedestä ja kosteudesta. Räjähdyksenvaaraton.

Tuotekuvaus

1. Akku 18 V/2,0 Ah
2. Akun lukitus
3. Valo
4. Virtakytkin (portaaton)
5. Akun varaustason ilmaisim
6. Pyörimissuunnan valintakytkin
7. Avaimeton istukka
8. Vääntömomentin ja iskuporaustoiminnon valitsin
9. Vaihteenvaihtin
10. Vyöpidike
11. Akun varaustason ilmaisim



Virtakytkin

- Valitse pyörimissuunta valintakytkimellä (6). Virtakytkin on lukittu, kun kytkin on keskiasennossa. Ruuvinväännin ei käynnisty, kun kytkin on keskiasennossa. Käynnistä ja pysäytä ruuvinväännin painamalla ja päästämällä virtakytkin (4).
- Ruuvinvääntimessä on portaaton kierrosluvun säätö, mikä on erinomainen erityisesti ruuvauksessa. Kierrosluku kasvaa, kun virtakytkintä painetaan kovempaa.

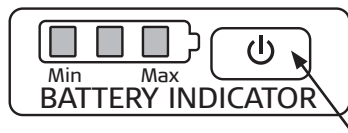
Valo

Ruuvinvääntimessä on valo. Valo syttyy, kun virtakytkintä painetaan, ja sammuu, kun se päästetään.

Akun varaustason ilmaisimet

Huom.! Ilmaisimet kertovat akun suuntaa antavan lataustilan, alla olevat prosenttiluvut ovat viitteellisiä lukuja. Ilmaisimet voivat joskus antaa hieman erilaiset akun varaustasot.

- Toinen akun varaustason ilmaisimien (11) on akussa. Katso akun varaustaso painamalla ilmaisimen oikealla puolella olevaa painiketta.
- Toinen akun varaustason ilmaisimien (5) on ruuvinvääntimessä. Katso akun varaustaso painamalla virtakytkin puoliväliin.



Akun latauksen ollessa 100 % kaikki kolme merkkivaloa palavat. Akun varauksen ollessa noin 90 % kaksi merkkivaloa palaa. Akun varauksen ollessa noin 25 % yksi merkkivalo palaa. Kun akku on täysin tyhjä, yksikään merkkivalo ei pala, ja akku tulee ladata.

Ruuvinvääntö

Ruuvinvääntimessä on valitsin (8) sopivan vääntömomentin valitsemiseksi. Kun vääntömomentti on valittu oikein, ruuvinvääntimen hellittää valitussa vääntömomentissa, eikä ruuvi poraudu liian syväälle. Oikea vääntömomentti riippuu ruuvien tyypistä ja koosta sekä porattavasta materiaalista. Hae sopiva vääntömomentti aloittamalla aina pienimmästä vääntömomentista ja lisäämällä vääntömomenttia asteittain.

Iskuporaus

Aseta valitsin (8) iskuporaustilaan (T). On suositeltavaa käyttää vaihteiston tilaa 2 parhaimman tehon takaamiseksi.

Hidas/nopea vaihde

Vaihteenvaihtimessa (9) on kaksi tilaa: tila 1: 0–450 rpm, tila 2: 0–1600 rpm (rpm = kierr./min).

Lataaminen

Huom.! Käytä ainoastaan mukana tullutta laturia. Akun tulee olla täynnä ensimmäisellä käyttökerralla.

1. Irrota akku ruuvinvääntimestä painamalla akun lukitusta (2) ja työntämällä akku ulos. Jos akku on erittäin kuuma esim. kovan kuormituksen seurauksena, anna sen jäähtyä ennen lataamisen aloittamista.
2. Liitä laturin pistoke pistorasiaan. Vihreä merkkivalo syttyy.
3. Aseta akku laturiin. Vihreä merkkivalo sammuu ja punainen merkkivalo palaa latauksen aikana.

4. Kun akku on täynnä, vihreä merkkivalo palaa.
- Latausaika on noin 40 minuuttia.
 - Akku voi kuumentua latauksen aikana. Se on täysin normaalia.
 - Laturi ja akku toimivat parhaiten normaalissa huonelämpötilassa. Älä lataa akkua suorassa auringonvalossa tai liian kylmässä. Suositeltu latauslämpötila on 5–40 °C.
 - Kun akku on tyhjentynyt, sen elektroniikka sammuttaa ruuvinvääntimen automaattisesti.
 - Lataa akku täyteen, ennen kuin laitat sen säilytykseen pidemmäksi ajaksi.

Ylikuormitus ja ylikuormitussuoja


Koneessa ja akussa on erilaisia suojatoimintoja koneen ja akun suojaamiseksi.

- Lyhytaikaisen korkean kuormituksen aikana ylikuormitussuoja saattaa sammuttaa koneen/akun. Ylikuormitussuoja palautuu itsestään. Päästä virtakytkin ja odota muutaman sekunnin ajan. Varmista, että konetta ei ole kuormitettu ja käynnistä se uudelleen. Kone toimii taas normaalisti.
- Pitkäaikaisen kovan kuormituksen sattuessa ylikuormitussuoja saattaa sammuttaa koneen/akun. Suoja palautuu itsestään, mutta konetta ei voi käynnistää, ennen kuin sen lämpötila on laskenut turvalliselle tasolle. Anna koneen/akun jäähtyä, ennen kuin yrität käynnistää sen uudelleen. Suora auringonvalo saattaa myös kuumentaa konetta liiallisesti, minkä vuoksi suoraa auringonvaloa tulee välttää.
- Akussa on alijännitesuojaus, mikä sammuttaa koneen, jos akku tyhjenee. Alijännitesuoja sammuttaa koneen automaattisesti, minkä jälkeen akku tulee ladata uudelleen.

Poranterän tai palan vaihtaminen

Koneessa on pikaistukka, jonka avulla poranterän tai palan voi vaihtaa helposti yhdellä kädellä. Kiristä kiertämällä vasemmalle, avaa kiertämällä oikealle. Varmista, että terä on tiukasti paikoillaan ja että se on keskellä istukkaa.

Vinkkejä poraukseen

- Aseta valitsin (8) porausasentoon ().
- Kun poraat liukasta pintaa, esim. klinkkeriä, aseta vahva teipinpala porattavaan kohtaan, ettei pora pääse luisumaan pois porauskohdasta.
- Kun poraat metallia, tee aluksi pistepuikolla pieni reikä porauskohtaan. Reikä keskittää poran oikeaan paikkaan niin, että se ei pääse liukumaan porattaessa.
- Kun poraat metallia, kannattaa myös käyttää poraus- ja kierreöljyä työkalun säästämiseksi.
- Kiinnitä porattava materiaali aina puristimilla.
- Kun poraat seiniä, varo ettet vahingoita sähköjohtoja tai vesi- tai kaasuputkia.

Huolto ja puhdistaminen

- Varmista, että moottorin ilma-aukkoihin ei kerry likaa tms.
- Puhdista laite kevyesti kostutetulla liinalla. Käytä mietoa puhdistusainetta. Älä käytä liuotusaineita tai syövyttäviä kemikaaleja.
- Akun tulee olla ladattuna, kun laite on pidempään käyttämättä.
- Säilytä laitetta kuivassa paikassa lasten ulottumattomissa.

Vianhakutaulukko

Ongelma	Mahdollinen syy	Toimenpide
Laite ei käy.	Akku on tyhjä.	Lataa akku.
	Akku on ylikuumentunut.	Anna akun jäähtyä.
	Virtakytkimessä vikaa.	Ota yhteys asiakaspalveluun.
Laite käy hitaasti ja/ tai sammuu.	Tylsä tai vioittunut poranterä.	Vaihda poranterä.
	Porakonetta painetaan liian kovaa.	Paina vähemmän.
	Akku on tyhjä.	Lataa akku.
	Akku on ylikuumentunut.	Anna akun jäähtyä.
	Moottori on ylikuumentunut.	Anna laitteen jäähtyä.
Epätavallisia ääniä ja/tai kovaa ääntä.	Poranterä/varuste ei ole istukan keskellä tai on muuten väärin asennettu.	Varmista, että poranterä/varuste on keskellä, oikein asennettu ja kiristetty.

Kierrättäminen

Tämä symboli tarkoittaa, että tuotetta ei saa laittaa kotitalousjätteen sekaan. Ohje koskee koko EU-aluetta. Virheellisestä kierrättämisestä johtuvien mahdollisten ympäristö- ja terveyshaittojen ehkäisemiseksi tuote tulee viedä kierrätettäväksi, jotta materiaali voidaan käsitellä vastuullisella tavalla. Kierrätä tuote käyttämällä paikallisia kierrätysjärjestelmiä tai ota yhteys ostopaikkaan. Ostopaikassa tuote kierrätetään vastuullisella tavalla.



Tekniset tiedot

Laturin verkkoliitäntä	100–240 V, 50/60 Hz
Kierrosluku	0–450/1600 kierr./min
Akku	18 V/2,0 Ah
Säädettävä momentti	18 + poraus + isku, enint. 40 Nm
Melutaso	LpA 82 dB(A), (epätarkkuus KpA: 3 dB LwA 93 dB(A), (epätarkkuus KwA: 3 dB Käytä kuulosuojaimia melutason ylittäessä 80 dB(A)
Tärinäarvo	$a_{h, ID}$ 9,397 m/s ² , K: 1,5 m/s ² (iskuporaus betoniin) $a_{h, ID}$ 2,270 m/s ² , K: 1,5 m/s ² (poraus metalliin)
Paino	1,35 kg

Schrauber 18 V

Art.Nr. 40-9930 Modell CDI218LB1.1

Vor Inbetriebnahme die Bedienungsanleitung vollständig durchlesen und für künftigen Gebrauch aufbewahren. Irrtümer, Abweichungen und Änderungen behalten wir uns vor. Bei technischen Problemen oder anderen Fragen freut sich unser Kundenservice über eine Kontaktaufnahme (Kontakt siehe Rückseite).

Sicherheit

Allgemeine Sicherheitshinweise für Akkuwerkzeuge

Warnung: Sämtliche Anweisungen lesen. Fehler bei der Einhaltung der nachstehenden Anweisungen können zu Stromschlägen, Brand und/oder schweren Verletzungen führen. Der Begriff „Elektrowerkzeuge“ in den nachfolgenden Warnhinweisen bezieht sich auf netz- oder akkubetriebene Handwerkzeuge.

DIESE ANLEITUNG AUFBEWAHREN.

1) Arbeitsumfeld

- a) **Das Arbeitsumfeld muss sauber und gut beleuchtet sein.** Unordnung und unbeleuchtete Arbeitsbereiche führen leicht zu Unfällen.
- b) **Elektrowerkzeuge niemals in explosionsgefährdeter Umgebung einsetzen, wie zum Beispiel in der Nähe leicht entzündlicher Flüssigkeiten, Gase oder Stäube.** Elektrowerkzeuge erzeugen Funken, die Staub oder Dämpfe entzünden können.
- c) **Kinder und andere Personen während des Gebrauchs von Elektrowerkzeugen fernhalten.** Ablenkung kann zum Kontrollverlust führen.

2) Elektrische Sicherheit

- a) **Der Anschlussstecker des Elektrowerkzeugs muss in die Steckdose passen. Den Stecker niemals in irgendeiner Weise verändern. Niemals einen Adapterstecker gemeinsam mit einem geerdeten Elektrowerkzeug einsetzen.** Unveränderte Stecker und passende Steckdosen verringern das Risiko für Stromschläge.
- b) **Körperkontakt mit geerdeten Gegenständen wie Rohren, Heizungen, Herd oder Kühlschrank vermeiden.** Wenn der Körper geerdet ist, erhöht sich das Risiko für Stromschläge.
- c) **Das Elektrowerkzeug niemals Regen oder Nässe aussetzen.** Das Eindringen von Wasser in ein Elektrowerkzeug erhöht das Risiko für Stromschläge.
- d) **Niemals das Netzkabel zweckentfremden, um das Gerät zu tragen, zu ziehen oder um den Stecker aus der Steckdose zu ziehen. Das Kabel von Hitze, Öl, scharfen Kanten und sich bewegendem Geräteteilen fernhalten.** Beschädigte oder verwickelte Kabel erhöhen das Risiko für Stromschläge.
- e) **Beim Einsatz eines Elektrowerkzeugs im Außenbereich ein geeignetes Verlängerungskabel einsetzen.** Der Einsatz eines Verlängerungskabels für den Außenbereich verringert das Risiko für Stromschläge.

- f) Falls der Einsatz eines Elektrowerkzeugs in feuchter Umgebung notwendig sein sollte, das Werkzeug über einen Fehlerstromschutzschalter ans Stromnetz anschließen. Der Einsatz eines Fehlerstromschutzschalters mindert das Risiko für Stromschläge.

3) *Persönliche Sicherheit*

- a) **Während der Tätigkeit aufmerksam sein und beim Einsatz eines Elektrowerkzeugs Vernunft walten lassen. Bei Müdigkeit oder unter dem Einfluss von Drogen, Alkohol oder Medikamenten kein Elektrowerkzeug bedienen.** Ein Moment der Unachtsamkeit beim Einsatz eines Elektrowerkzeugs kann zu ernstesten Verletzungen führen.
- b) **Persönliche Schutzausrüstung tragen. Immer einen Augenschutz tragen.** Das Tragen von Schutzausrüstung wie Atemschutz, trittsicheren Sicherheitsschuhen, Helm und Gehörschutz je nach Art und Einsatz des Elektrowerkzeugs verringert das Risiko von Verletzungen.
- c) **Unbeabsichtigtes Einschalten vermeiden. Der Hauptschalter muss in OFF-Stellung sein, bevor der Stecker in die Steckdose gesteckt wird.** Beim Tragen eines Elektrowerkzeugs einen Finger am Schalter zu halten oder das Gerät eingeschaltet ans Stromnetz anzuschließen, kann zu Unfällen führen.
- d) **Alle Einstellwerkzeuge vor dem Einschalten des Elektrowerkzeugs entfernen.** Ein vergessenes Einstellwerkzeug an einem sich drehenden Geräteteil kann zu Verletzungen führen.
- e) **Nicht zu weit nach vorne strecken. Jederzeit auf einen sicheren Stand und Gleichgewicht achten.** Das ermöglicht in unerwarteten Situationen eine bessere Kontrolle.
- f) **Geeignete Kleidung tragen. Keine weit sitzende Kleidung oder Schmuck tragen. Haare, Kleidung und Handschuhe von sich bewegenden Teilen fernhalten.** Weite Kleidung, Schmuck oder lange Haare können von sich bewegenden Teilen erfasst werden.
- g) **Wenn Staubabsaug- und -auffangeinrichtungen montiert werden können, sicherstellen, dass diese angeschlossen sind und angewendet werden.** Der Einsatz dieser Hilfsmittel verringert Gefährdungen durch Staub.

4) *Bedienung und Wartung von Elektrowerkzeugen*

- a) **Das Gerät nicht überbeanspruchen. Nur das Elektrowerkzeug nutzen, das für die jeweilige Tätigkeit vorgesehen ist.** Mit dem passenden Elektrowerkzeug arbeitet es sich besser und sicherer im angegebenen Leistungsbereich.
- b) **Das Elektrowerkzeug nicht einsetzen, wenn dessen Ein-/Ausschalter defekt ist.** Ein Elektrowerkzeug, das sich nicht mehr ein- oder ausschalten lässt, ist gefährlich und muss repariert werden.
- c) **Vor der Ausführung von Einstellarbeiten, dem Tausch von Zubehörteilen oder dem Ablegen des Elektrowerkzeugs zur Verwahrung den Stecker aus der Steckdose ziehen.** Diese Vorkehrungen verringern das Risiko eines unbeabsichtigten Starts des Gerätes.

- d) **Ein unbenutztes Elektrowerkzeug außerhalb der Reichweite von Kindern aufbewahren. Das Gerät nicht von Personen nutzen lassen, die mit dessen Umgang nicht vertraut sind oder dessen Bedienungsanleitung nicht gelesen haben.** Elektrowerkzeuge sind gefährlich, wenn sie in die Hände von unerfahrenen Personen gelangen.
- e) **Elektrowerkzeuge warten. Kontrollieren, ob bewegliche Geräteteile einwandfrei funktionieren und nicht klemmen, Teile kaputt sind oder etwas anderes eingetroffen ist, wodurch die Funktion des Elektrowerkzeugs beeinträchtigt ist. Sollte etwas beschädigt sein, muss es vor der Benutzung repariert werden.** Viele Unfälle beruhen auf schlecht gewarteten Elektrowerkzeugen.
- f) **Die Schneidwerkzeuge scharf und sauber halten.** Sorgfältig gewartete Schneidwerkzeuge mit scharfen Schneiden laufen leichter und sind einfacher zu führen.
- g) **Das Elektrowerkzeug, Zubehör und Einsatzwerkzeuge usw. entsprechend diesen Anweisungen einsetzen und zwar so, wie es für diesen speziellen Gerätetyp vorgeschrieben ist. Dabei die Arbeitsbedingungen und die auszuführende Tätigkeit berücksichtigen.** Der Gebrauch von Elektrowerkzeugen für andere als die vorgesehenen Anwendungen kann zu gefährlichen Situationen führen.

5) *Bedienung und Service des wiederaufladbaren Elektrowerkzeugs*

- a) **Vor Einsetzen des Akkus sicherstellen, dass das Gerät abgeschaltet ist.** Das Einsetzen eines Akkus in ein eingeschaltetes Elektrowerkzeug kann leicht zu Unfällen führen.
- b) **Den Akku nur mit einem vom Hersteller bestimmten Ladegerät laden.** Ein Ladegerät, das für einen Akkutyp passt, kann eine Brandgefahr ausmachen, wenn es für einen anderen Akkutyp verwendet wird.
- c) **Akkuwerkzeuge nur mit den dafür vorgesehenen Akkus verwenden.** Die Verwendung eines anderen Akkus kann Schäden und Feuergefahr verursachen.
- d) **Bei der Aufbewahrung eines nicht benutzten Akkus auf ausreichenden Abstand zu Gegenständen wie Klammern, Münzen, Schlüsseln, Nägeln, Schrauben oder anderen kleinen metallischen Gegenständen achten, die einen Kontakt zwischen den Akkupolen herstellen könnten.** Ein Kurzschluss der Akkupole kann Verätzungen oder Brände verursachen.
- e) **Bei unsachgemäßer Behandlung des Akkus kann Säure austreten. Kontakt mit Säure vermeiden. Bei versehentlichem Kontakt mit Säure mit Wasser abspülen. Wenn Säure in die Augen gerät, ist ein Arzt aufzusuchen.** Säure aus Akkus kann zu Reizungen und Verätzungen führen.

6) *Service*

- a) **Reparaturen nur von qualifizierten Servicetechnikern und mit Originalzubehör durchführen lassen.** Dies bewahrt die Sicherheit von Elektrowerkzeugen.

Besondere Sicherheitshinweise fürs Bohren

- a) **Beim Schlagbohren Gehörschutz tragen.** Der Geräuschpegel beim Schlagbohren kann zu Gehörschäden führen.
- b) **Wenn vorhanden, den Zusatzgriff benutzen.** Der Verlust der Kontrolle über die Maschine kann zu Personenschäden führen.
- c) **Das Werkzeug stets am isolierten Griff anfassen wenn in Umgebungen gearbeitet wird, in denen das Werkzeug mit Stromleitungen in Kontakt kommen kann.** Wenn das Werkzeug in Kontakt mit stromführenden Leitungen kommt, können die Metallteile des Werkzeugs auch stromführend werden, was zu Stromschlägen führen kann.

Besondere Sicherheitshinweise für Akkus/Akkupacks

- a) **Niemals den Akku öffnen oder auf irgendeine Weise beschädigen bzw. auf ihn einwirken.**
- b) **Den Akku nicht kurzschließen. Akkus stets so aufbewahren, dass sie nicht in Kontakt miteinander oder mit anderen stromführenden Gegenständen kommen können.** Den Akku bei Nichtbenutzung von Metallgegenständen, wie Klammern, Münzen, Schlüsseln, Nägeln und Schrauben fernhalten. Diese Gegenstände können Kontakt zwischen den Akkupolen herstellen und diese so kurzschließen, was zu Verbrennungen und Feuer führen kann.
- c) **Den Akku nicht Hitze oder offenem Feuer aussetzen. Den Akku nicht direkter Sonneneinstrahlung aussetzen.**
- d) **Den Akku nicht Stößen und Schlägen aussetzen.**
- e) **Falls der Akku ausläuft, die Flüssigkeit nicht in Kontakt mit Haut oder Augen kommen lassen. Wenn dies trotzdem passiert, die betroffenen Flächen sofort ordentlich mit Wasser abspülen und einen Arzt aufsuchen.**
- f) **Falls Teile des Akkus verschluckt werden, sofort einen Arzt aufsuchen.**
- g) **Den Akku sauber und trocken halten.**
- h) **Den Akku zur Reinigung mit einem sauberen, trockenen Tuch abwischen.**
- i) **Der Akku muss vor der Benutzung aufgeladen sein. Stets die Anweisungen in dieser Bedienungsanleitung befolgen und die richtige Lademethode benutzen.**
- j) **Den Akku bei längerer Nichtbenutzung nicht im angeschlossenen Ladegerät aufbewahren.**
- k) **Nach längerer Nichtbenutzung kann es notwendig sein, den Akku einige Male zu laden und zu entladen um die volle Kapazität zu erreichen.**
- l) **Der Akku hat die beste Kapazität, wenn er bei Zimmertemperatur benutzt wird (20 °C, ±5 °C).**
- m) **Bei der Abgabe des Akkus an die Wertstoffsammlung Akkus mit unterschiedlichen chemischen Zusammensetzungen getrennt von einander halten.**
- n) **Den Akku nur mit dem mitgelieferten Ladegerät laden. Kein anderes Ladegerät als das, welches speziell für diesen Akku vorgesehen ist, benutzen.** Ein Akku-Ladegerät für einen bestimmten Akkutyp kann mit einem anderen Akkutyp für Brandgefahr sorgen.
- o) **Den Akku nur mit einem in dieser Bedienungsanleitung beschriebenen Werkzeug benutzen.**

- p) Den Akku außer Reichweite von Kindern halten.
- q) Alle mitgelieferten Originaldokumente für künftigen Gebrauch aufbewahren.
- r) Bei Nichtbenutzung den Akku aus dem Werkzeug nehmen.
- s) Bitte das Produkt entsprechend den lokalen Bestimmungen entsorgen.

Sicherheitshinweise für Akkus und Ladegeräte

- Nie versuchen, den Akku zu öffnen.
- Den Akku nie in direktem Sonnenlicht oder bei Temperaturen über 40 °C aufbewahren.
- Den Akku ausschließlich bei Temperaturen zwischen 5–40 °C laden.
- Den Akku niemals Wasser aussetzen.

Vibrationen

- Die Messung des in dieser Bedienungsanleitung angegebenen Schwingungsemissionswert ist mit der standardisierten Messmethode gemäß EN 60745 durchgeführt worden und kann zum Vergleich versch. Elektrowerkzeuge herangezogen werden.
- Die Messmethode ist für eine vorläufige Beurteilung der Schwingungsbelastung geeignet.
- Der angegebene Schwingungsemissionswert gilt wenn das Elektrowerkzeug auf die in der Bedienungsanleitung beschriebenen Weise genutzt wird. Wird das Elektrowerkzeug dagegen zweckentfremdet, mit anderem Zubehör genutzt oder nicht ordentlich gewartet, kann der Schwingungsemissionswert während der Betriebsdauer erheblich steigen.
- Für eine exakte Beurteilung der Schwingungsbelastung sollte auch die Zeit beachtet werden, während der das Elektrowerkzeug vom Stromnetz getrennt ist oder eingeschaltet ist, ohne benutzt zu werden. Dies reduziert die Schwingungsbelastung während der Betriebsdauer deutlich. Sicherheitsmaßnahmen festlegen, um den Anwender vor den Wirkungen der Schwingung während jeglicher Benutzung zu schützen.

Produktkennzeichnung mit Sicherheitssymbolen



Die Bedienungsanleitung vollständig durchlesen.



Beim Arbeiten immer Gehörschutz, Schutzbrille und Atemschutz tragen.



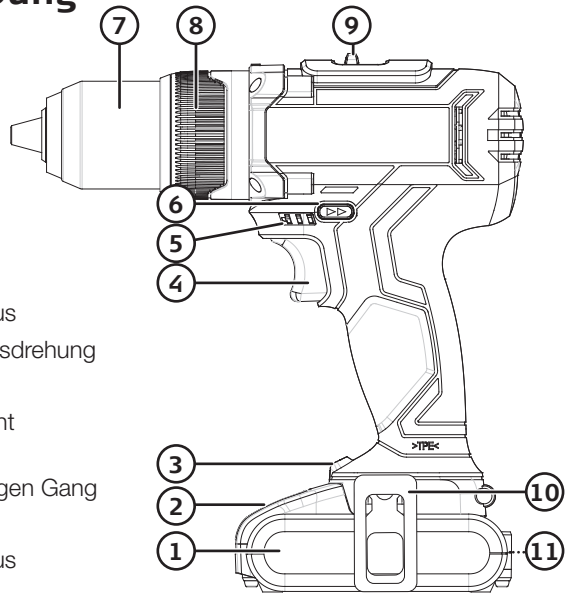
Nur für den Innenbereich geeignet.



Den Akku vor Hitze (z. B. direkte Sonneneinstrahlung, offene Flammen), Wasser und Feuchtigkeit schützen. Explosionsgefahr.

Produktbeschreibung

1. Akku 18 V/2,0 Ah
2. Akkuverriegelung
3. Beleuchtung
4. Ein-/Ausschalter (stufenlos)
5. Indikatorlampe für Ladestatus
6. Umschalter für Rechts-/Linksdrehung
7. Schnellspannbohrfutter
8. Drehschalter für Drehmoment und Schlagbohrfunktion
9. Umschalter für hohen/niedrigen Gang
10. Gürtelhalterung
11. Indikatorlampe für Ladestatus



Ein-/Ausschalter

- Mit dem Umschalter (6) Rechts- oder Linkslauf wählen. Der Umschalter hat eine mittlere Position, in der der Ein-/Ausschalter verriegelt ist. Wenn der Umschalter in der mittleren Position steht, kann die Maschine nicht gestartet werden. Die Maschine wird durch Drücken des Ein-/Ausschalters (4) gestartet bzw. gestoppt.
- Die Maschine verfügt über eine stufenlose Drehzahlregelung, die besonders beim Schrauben sehr praktisch ist. Je mehr der Ein-/Ausschalter eingedrückt wird, umso höher wird die Drehzahl.

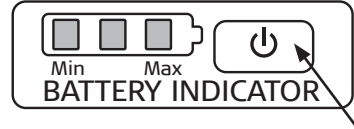
Beleuchtung

Der Schrauber ist mit einer Leuchte ausgestattet, die für optimale Ausleuchtung beim Akku angebracht ist, um nicht durch das Bohrfutter verdeckt zu werden. Beim Eindrücken des Ein-/Ausschalters wird die Beleuchtung eingeschaltet und beim Loslassen geht sie wieder aus.

Ladestandsanzeigen

Hinweis: Die Anzeigen bieten eine grobe Darstellung des Akkustands, wobei die Prozentzahlen als ungefähre Daten zu sehen sind. Die beiden Anzeigen können sich geringfügig unterscheiden.

- Eine Ladestandsanzeige (11) befindet sich am Akku. Die Taste rechts von der Ladestandsanzeige drücken, um den Ladestatus anzuzeigen.
- Eine Ladestandsanzeige (5) befindet sich außerdem am Schrauber. Den Ein-/Ausschalter zur Hälfte herunterdrücken, um den Ladestatus anzuzeigen.



Bei vollständig geladenem Akku (100 %) leuchten alle drei LEDs. Bei einem Ladestatus von ca. 80 % leuchten zwei LEDs. Bei einem Ladestatus von ca. 25 % leuchtet nur eine LED. Leuchtet keine LED ist der Akku leer und muss geladen werden.

Schrauben

Die Maschine verfügt über einen Drehschalter (8) zur Einstellung des geeigneten Drehmoments. Die richtige Einstellung des Drehmoments verhindert ein Überdrehen der Schraube, da die Maschine nicht weiterdreht. Die Einstellung ist abhängig vom Schraubentyp, der Schraubengröße und dem Material, in dem geschraubt wird. Stets mit dem kleinsten Drehmoment anfangen und bei Bedarf schrittweise ein höheres Drehmoment wählen.

Schlagbohr-Funktion

Den Drehregler (8) auf Schlagbohrer stellen (**T**) und für höchste Leistung möglichst den hohen Gang wählen.

Hoher/niedriger Gang

Der Umschalter (9) kann in zwei Positionen eingestellt werden, Position **1**: 0–450 /min, Position **2**: 0–1600 /min.

Laden

Hinweis: Nur das mitgelieferte Ladegerät verwenden. Vor dem ersten Betrieb muss der Akku vollständig geladen sein.

1. Zum Entfernen des Akkus aus dem Schrauber die Akkuverriegelung (2) eindrücken und den Akku herausziehen. Wenn der Akku sehr heiß ist, etwa nach hoher Beanspruchung, diesen vor dem Aufladen erst abkühlen lassen.
2. Das Ladegerät an eine Steckdose anschließen. Die grüne LED leuchtet auf.
3. Den Akku in das Ladegerät einlegen. Die grüne LED erlischt und die rote LED leuchtet während des Ladevorgangs ununterbrochen.

4. Ist der Akku vollständig geladen, leuchtet die grüne LED.
- Ladedauer ca. 40 min.
 - Der Akku kann beim Laden etwas warm werden. Dies ist völlig normal.
 - Ladegerät und Akku funktionieren am besten bei normaler Zimmertemperatur. Nicht in direktem Sonnenlicht oder bei kälteren Temperaturen laden. Der Temperaturbereich für das Laden liegt bei 5–40 °C.
 - Wird der Akku entladen, schaltet die Elektronik im Akku die Maschine automatisch ab.
 - Bei längerer Verwahrung (über Monate) muss der Akku geladen sein.

Überlastung und Schutz


Die Maschine/der Akku ist mit Schutzvorrichtungen versehen, um Schäden an der Maschine und am Akku zu vermeiden.

- Bei kurzzeitig hoher Belastung kann der Überlastschutz die Maschine/den Akku abschalten. Der Schutz ist selbstrückstellend. Den Ein-/Ausschalter loslassen und einige Sekunden warten. Dafür sorgen, dass die Maschine unbelastet ist und erneut starten. Die Maschine sollte jetzt wieder normal funktionieren.
- Bei hoher Belastung für längere Zeit kann ein Überhitzungsschutz die Maschine/den Akku abschalten. Der Schutz ist selbstrückstellend, aber die Maschine kann nicht gestartet werden, bevor die Temperatur auf ein sicheres Niveau abgesunken ist. Die Maschine vor erneutem Startversuch abkühlen lassen. Schädliche Temperaturen können auch bei direkter Sonnenbestrahlung auftreten, die daher zu vermeiden ist.
- Der Akku verfügt über einen Unterspannungsschutz, der auslöst, wenn der Akku entladen ist. Der Unterspannungsschutz schaltet die Maschine in diesem Fall automatisch ab, und der Akku muss geladen werden.

Austausch von Bohrern oder Bits

Die Maschine verfügt über ein werkzeugloses Bohrfutter, das den Austausch von Bohrern oder Bits mit einer Hand erleichtert. Zum Festziehen nach links drehen, zum Lösen nach rechts drehen. Vergewissern, dass der Bohrer im Bohrfutter richtig fest sitzt und zentriert ist.

Hinweise und Tipps zum Bohren

- Den Drehschalter (8) auf Bohren einstellen ().
- Beim Bohren in glattem Material, z. B. Fliesen, sollte ein starker Klebestreifen an der Bohrstelle aufgeklebt werden, um ein Abrutschen des Bohrers zu verhindern.
- Beim Bohren in Metall wird empfohlen, zunächst mit einem Körner eine kleine Vertiefung an der Bohrstelle zu machen. Diese kleine Vertiefung hält dann den Bohrer an der richtigen Stelle und verhindert ein Abrutschen.
- Beim Bohren in Metall wird auch die Verwendung von Gewinde-/Schneidöl empfohlen, um das Werkzeug zu schonen.

- Um das zu bearbeitende Werkstück festzuhalten, stets eine Zwinge/einen Schraubstock anwenden.
- Beim Bohren in Wänden darauf achten, dass keine Wasser-, Strom-, Gasleitungen usw. beschädigt werden.

Pflege und Wartung

- Die Belüftungsöffnungen des Motors immer frei von Verschmutzungen halten.
- Das Produkt mit einem leicht befeuchteten Tuch reinigen. Ein sanftes Reinigungsmittel verwenden, keine scharfen Chemikalien oder Reinigungslösungen.
- Bei längerer Nichtbenutzung das Gerät mit vollständig geladenem Akku aufbewahren.
- Das Gerät bei längerer Nichtbenutzung trocken und außer Reichweite von Kindern aufbewahren.

Fehlersuche

Problem	Mögliche Ursache	Lösung
Die Maschine läuft nicht.	Der Akku ist entladen.	Den Akku laden.
	Der Akku ist überhitzt.	Den Akku abkühlen lassen.
	Fehler am Ein-/Ausschalter.	Kundendienst kontaktieren.
Die Maschine läuft langsam und/oder schaltet sich ab.	Stumpfer oder beschädigter Bohrer.	Den Bohrer austauschen.
	Zu hartes Aufdrücken.	Weniger hart aufdrücken.
	Der Akku ist entladen.	Den Akku laden.
	Der Akku ist überhitzt.	Den Akku abkühlen lassen.
	Der Motor ist überhitzt.	Die Maschine abkühlen lassen.
Ungewöhnliche Geräusche und/oder hohe Vibrationen.	Der Bohrer/das Werkzeug ist nicht zentriert oder falsch montiert.	Überprüfen, dass der Bohrer/ das Werkzeug zentriert, korrekt montiert und festgezogen ist.

Hinweise zur Entsorgung

Dieses Symbol zeigt an, dass das Produkt nicht gemeinsam mit dem Haushaltsabfall entsorgt werden darf. Dies gilt in der gesamten EU. Um möglichen Schäden für die Umwelt und Gesundheit vorzubeugen, die durch fehlerhafte Abfallentsorgung verursacht werden, dieses Produkt zum verantwortlichen Recycling abgeben um die nachhaltige Wiederverwertung von stofflichen Ressourcen zu fördern. Bei der Abgabe des Produktes bitte die vorhandenen Recycling- und Sammelstationen benutzen oder den Händler kontaktieren. Dieser kann das Produkt auf eine umweltfreundliche Weise recyceln.



Technische Daten

Betriebsspannung Ladegerät	100–240 V, 50/60 Hz
Drehzahl	0–450/1600 /min
Akkus	18 V/2,0 Ah
Drehmomentstufen	18 + Bohren + Schlagbohren, max. 40 Nm
Schallpegel	LpA 82 dB(A) (Unsicherheit KpA: 3 dB) LwA 93 dB(A) (Unsicherheit KwA: 3 dB) Gehörschutz tragen, wenn der Geräuschpegel folgenden Wert übersteigt 80 dB(A)
Schwingungsemissionswert	a _{h, D} 9,397 m/s ² , K: 1,5 m/s ² (Schlagbohren in Beton) a _{h, D} 2,270 m/s ² , K: 1,5 m/s ² (Bohren in Metall)
Gewicht	1,35 kg

Declaration of Conformity

Försäkran om överensstämmelse
Samsvarerklæring
Vakuutus yhdenmukaisuudesta
Konformitätserklärung



Declares that this product complies with the requirements of the following directives and standards
Intygar att denna produkt överensstämmer med kraven i följande direktiv och standarder
Bekrefter at dette produktet er i samsvar med følgende direktiver og standarder
Vakuuttaa, että tämä tuote täyttää seuraavien direktiivien ja standardien vaatimukset
Erklärt hiermit, dass dieses Produkt die Anforderungen und Bestimmungen folgender Richtlinien erfüllt

18V BRUSHLESS IMPACT DRILL

Cocraft 40-9930
CDI218LB1.1

Machinery Directive 2006/42/EC	EMC Directive 2014/30/EU	Low Voltage Directive 2006/95/EC
EN 60745-1:2009 +A11:2010 EN 60745-2-1:2010 EN 60745-2-2:2010	EN 55014-1:2006 +A1:2009+A2:2011 EN 55014-2:2015 EN 61000-3-2:2014 EN 61000-3-3:2013	EN 60335-1:2012 +A11:2014 EN 60335-2-29:2004 +A2:2010 EN 62233:2008

Henrik Alfredsson
Manager Technique & Quality

Insjön, Sweden, 2017-01-31

CLAS OHLSON AB, SE-793 85 INSJÖN, SWEDEN

Sverige

Kundtjänst tel: 0247/445 00
 fax: 0247/445 09
 e-post: kundservice@clasohlson.se

Internet www.clasohlson.se

Post Clas Ohlson AB, 793 85 INSJÖN

Norge

Kundesenter tlf.: 23 21 40 00
 faks: 23 21 40 80
 e-post: kundesenter@clasohlson.no

Internett www.clasohlson.no

Post Clas Ohlson AS, Postboks 485 Sentrum,
0105 OSLO

Suomi

Asiakaspalvelu puh.: 020 111 2222
 sähköposti: asiakaspalvelu@clasohlson.fi

Internet www.clasohlson.fi

Osoite Clas Ohlson Oy, Kaivokatu 10 B,
00100 HELSINKI

Great Britain

Customer Service contact number: 020 8247 9300
 e-mail: customerservice@clasohlson.co.uk

Internet www.clasohlson.co.uk

Postal 10 – 13 Market Place
Kingston Upon Thames
Surrey
KT1 1JZ

Deutschland

Kundenservice Hotline: 040 2999 78111
 E-Mail: kundenservice@clasohlson.de

Homepage www.clasohlson.de

Postanschrift Clas Ohlson GmbH, Jungfernstieg 38,
20354 Hamburg