

40-8639

Cocraft®

SANDER 18 V

LXC SA18

18 V LITHIUM SERIES

SLIPMASKIN
HIOMAKONE

SLIPEMASKIN
SCHLEIFER

Cocraft LXC is a tool system incorporating lithium-ion technology for an entire series of Cocraft power tools. A single universal battery and charger is all that is needed to power the entire series.

LXC

LITHIUM XROSS CONNECT



Art.no
40-8639

Model
DSB005



Important!

Read the entire instruction manual carefully and make sure that you fully understand it before you use the equipment. Keep the manual for future reference.

Viktig information:

Läs hela bruksanvisningen noggrant och försäkra dig om att du har förstått den innan du använder utrustningen. Spara bruksanvisningen för framtida bruk.

Viktig informasjon:

Les disse anvisningene nøye og forsikre deg om at du forstår dem, for du tar produktet i bruk. Ta vare på anvisningene for seinere bruk.

Tärkeää tietoa:

Lue nämä ohjeet huolellisesti ja varmista että olet ymmärtänyt ne, ennen kuin alat käyttää laitetta. Säilytä ohjeet myöhempää tarvetta varten.

Wichtiger Hinweis:

Vor Inbetriebnahme die komplette Bedienungsanleitung sorgfältig durchlesen und aufbewahren.

Ver. 20160204

Original instructions
Bruksanvisning i original
Originalbruksanvisning
Alkuperäinen käyttöohje
Original Bedienungsanleitung

ENGLISH

SVENSKA

NORSK

SUOMI

DEUTSCH

SVERIGE

Kundtjänst tel.: 0247/445 00
fax: 0247/445 09
e-post: kundservice@clasohlson.se

Internet www.clasohlson.se

Post Clas Ohlson AB, 793 85 INSJÖN

NORGE

Kundesenter tlf.: 23 21 40 00
faks: 23 21 40 80
e-post: kundesenter@clasohlson.no

Internett www.clasohlson.no

Post Clas Ohlson AS, Postboks 485 Sentrum, 0105 OSLO

SUOMI

Asiakaspalvelu puh.: 020 111 2222
sähköposti: info@clasohlson.fi

Internet www.clasohlson.fi

Osoite Clas Ohlson Oy, Maistraatinportti 4 A, 00240 HELSINKI

UNITED KINGDOM

Customer Service contact number: 020 8247 9300
e-mail: customerservice@clasohlson.co.uk

Internet www.clasohlson.co.uk

Postal 10 – 13 Market Place
Kingston Upon Thames
Surrey
KT1 1JZ

DEUTSCHLAND

Kundeservice Unsere Homepage www.clasohlson.de besuchen
und auf Kundenservice klicken.

Sander

Art.no 40-8639 Model DSB005

Please read the entire instruction manual before using the product and then save it for future reference. We reserve the right for any errors in text or images and any necessary changes made to technical data. If you have any questions regarding technical problems please contact our Customer Services.

Safety

General Power Tool Safety Warnings – Personal Safety

WARNING! Read all safety warnings and all instructions. Failure to follow the warnings and instructions may result in electric shock, fire and/or serious injury.

SAVE ALL WARNINGS AND INSTRUCTIONS FOR FUTURE REFERENCE.

The term "power tool" in the warnings refers to your mains-operated (corded) power tool or battery-operated (cordless) power tool.

1) Work area safety

- a) **Keep work area clean and well lit.** Cluttered or dark areas invite accidents.
- b) **Do not operate power tools in explosive atmospheres, such as in the presence of flammable liquids, gases or dust.** Power tools create sparks which may ignite the dust or fumes.
- c) **Keep children and bystanders away while operating a power tool.** Distractions can cause you to lose control.

2) Electrical safety

- a) **Power tool plugs must match the outlet. Never modify the plug in any way. Do not use any adapter plugs with earthed (grounded) power tools.** Unmodified plugs and matching outlets will reduce risk of electric shock.
- b) **Avoid body contact with earthed or grounded surfaces, such as pipes, radiators, ranges and refrigerators.** There is an increased risk of electric shock if your body is earthed or grounded.
- c) **Do not expose power tools to rain or wet conditions.** Water entering a power tool will increase the risk of electric shock.
- d) **Do not abuse the cord. Never use the cord for carrying, pulling or unplugging the power tool. Keep cord away from heat, oil, sharp edges or moving parts.** Damaged or entangled cords increase the risk of electric shock.
- e) **When operating a power tool outdoors, use an extension cord suitable for outdoor use.** Use of a cord suitable for outdoor use reduces the risk of electric shock.
- f) **If operating a power tool in a damp location is unavoidable, use a residual current device (RCD) protected supply.** Use of an RCD reduces the risk of electric shock.

3) *Personal safety*

- a) **Stay alert, watch what you are doing and use common sense when operating a power tool. Do not use a power tool while you are tired or under the influence of drugs, alcohol or medication.** A moment of inattention while operating power tools may result in serious personal injury.
- b) **Use personal protective equipment. Always wear eye protection.** Protective equipment such as dust mask, non-skid safety shoes, hard hat, or hearing protection used for appropriate conditions will reduce personal injuries.
- c) **Prevent unintentional starting. Ensure the switch is in the off-position before connecting to power source and/or battery pack, picking up or carrying the tool.** Carrying power tools with your finger on the switch or energising power tools that have the switch on invites accidents.
- d) **Remove any adjusting key or wrench before turning the power tool on.** A wrench or a key left attached to a rotating part of the power tool may result in personal injury.
- e) **Do not overreach. Keep proper footing and balance at all times.** This enables better control of the power tool in unexpected situations.
- f) **Dress properly. Do not wear loose clothing or jewellery. Keep your hair, clothing and gloves away from moving parts.** Loose clothes, jewellery or long hair can be caught in moving parts.
- g) **If devices are provided for the connection of dust extraction and collection facilities, ensure these are connected and properly used.** Use of dust collection can reduce dust related hazards.

4) *Power tool use and care*

- a) **Do not force the power tool. Use the correct power tool for your application.** The correct power tool will do the job better and safer at the rate for which it was designed.
- b) **Do not use the power tool if the switch does not turn it on and off.** Any power tool that cannot be controlled with the switch is dangerous and must be repaired.
- c) **Disconnect the plug from the power source and/or the battery pack from the power tool before making any adjustments, changing accessories, or storing power tools.** Such preventive safety measures reduce the risk of starting the power tool accidentally.
- d) **Store idle power tools out of the reach of children and do not allow persons unfamiliar with the power tool or these instructions to operate the power tool.** Power tools are dangerous in the hands of untrained users.
- e) **Maintain power tools. Check for misalignment or binding of moving parts, breakage of parts and any other condition that may affect the power tool's operation. If damaged, have the power tool repaired before use.** Many accidents are caused by poorly maintained power tools.
- f) **Keep cutting tools sharp and clean.** Properly maintained cutting tools with sharp cutting edges are less likely to bind and are easier to control.
- g) **Use the power tool, accessories and tool bits, etc. in accordance with these instructions, taking into account the working conditions and the work to be performed.** Use of the power tool for operations different from those intended could result in a hazardous situation.

5) *Battery tool use and care*

- a) **Recharge only with the charger specified by the manufacturer.** A charger that is suitable for one type of battery pack may create a risk of fire when used with another battery pack.
- b) **Use power tools only with specifically designated battery packs.** Use of any other battery packs may create a risk of injury and fire.
- c) **When battery pack is not in use, keep it away from other metal objects, like paper clips, coins, keys, nails, screws or other small metal objects, that can make a connection from one terminal to another.** Shorting the battery terminals together may cause burns or a fire.
- d) **Under abusive conditions, liquid may be ejected from the battery; avoid contact. If contact accidentally occurs, flush with water. If liquid contacts eyes, additionally seek medical help.** Liquid ejected from the battery may cause irritation or burns.

6) *Service*

- a) **Have your power tool serviced by a qualified repair person using only identical replacement parts.** This will ensure that the safety of the power tool is maintained.

Safety instructions specific to sanders

- Wear a dust mask whenever sanding and a dust extractor connected to the machine should also be used wherever possible.
- Extra caution should be taken when sanding lead paint, wood, metal or other materials which produce toxic dust. Make sure any bystanders in the work area are well protected.
- Remember that dust caused by sanding can be very flammable when mixed with air.

Safety Warnings for battery pack

- a) **Do not dismantle, open or shred cells or battery pack.**
- b) **Do not short-circuit a battery pack. Do not store battery packs haphazardly in a box or drawer where they may short-circuit each other or be short-circuited by conductive materials.** When battery pack is not in use, keep it away from other metal objects, like paper clips, coins, keys, nails, screws or other small metal objects, that can make a connection from one terminal to another. Shorting the battery terminals together may cause burns or a fire.
- c) **Do not expose battery pack to heat or fire. Avoid storage in direct sunlight.**
- d) **Do not subject battery pack to mechanical shock.**
- e) **In the event of battery leaking, do not allow the liquid to come into contact with the skin or eyes. If contact has been made, wash the affected area with copious amounts of water and seek medical advice.**
- f) **Seek medical advice immediately if a cell or battery pack has been swallowed.**
- g) **Keep battery pack clean and dry.**
- h) **Wipe the battery pack terminals with a clean dry cloth if they become dirty.**

- i) **Battery pack needs to be charged before use. Always refer to this instruction and use the correct charging procedure.**
- j) **Do not maintain battery pack on charge when not in use.**
- k) **After extended periods of storage, it may be necessary to charge and discharge the battery pack several times to obtain maximum performance.**
- l) **Battery pack gives its best performance when it is operated at normal room temperature (20 ± 5 °C).**
- m) **When disposing of battery packs, keep battery packs of different electrochemical systems separate from each other.**
- n) **Recharge only with the specified charger. Do not use any charger other than that specifically provided for use with the equipment.**
A charger that is suitable for one type of battery pack may create a risk of fire when used with another battery pack.
- o) **Do not use any battery pack which is not designed for use with the equipment.**
- p) **Keep battery pack out of the reach of children.**
- q) **Retain the original product literature for future reference.**
- r) **Remove the battery from the equipment when not in use.**
- s) **Dispose of properly.**

General safety instructions for batteries and chargers

- Never attempt to dismantle a battery.
- Never store a battery in direct sunlight or at temperatures above 40 °C.
- Only charge the battery when the ambient temperature is between +5 and 40 °C.
- Never expose the battery or charger to water.

Vibration

- The measurement of the vibration emission level declared in this instruction manual has been carried out in accordance with a standardised test method described in EN 60745 and can be used for comparing one power tool with another.
- The measurement method may also be used for a preliminary assessment of vibration exposure.
- The declared vibration emission level applies when the power tool is used in accordance with this instruction manual. If however, the power tool is used for other purposes and with other accessories or has not been properly maintained, the vibration emission level could increase significantly over the total working period.
- For an exact assessment of the vibration exposure, the times when the tool is switched off or running idle should also be taken into account. This significantly reduces the vibration exposure over the total working period. Decide upon safety measures to protect the operator from the effects of vibration during all types of use.

Product safety symbols



Read the entire instruction manual.



Always use ear protection.
Always use safety glasses.
Always use respiratory protection.

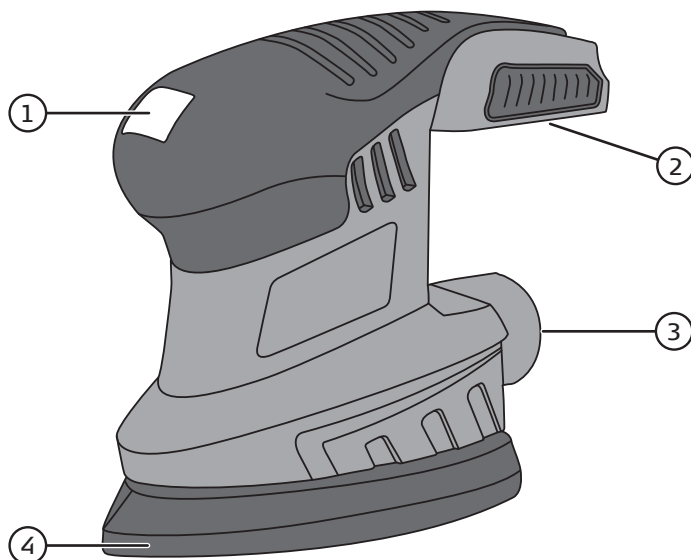


max 50°C



Protect the battery against heat, e. g., against continuous intense sunlight, fire, water, and moisture.
Danger of explosion.

Buttons and functions



1. [I]/[O] Power switch
2. Battery connection
3. Dust extractor connection
4. Sanding pad

Operating instructions

This machine is designed for sanding and polishing wood, dry filler, painted or varnished surfaces. Make sure that the surfaces you plan to sand/polish are dry.

1. Stand steady and balanced, holding the sander in a firm grip.
2. Press [I] on the power switch to turn the sander on.
3. Turn off the sander by pressing [0] on the power switch.

Changing sanding sheets

1. Remove the battery from the sander before changing the sanding sheet.
2. Remove the old sanding sheet and replace it with a new one.

Overload protection and other safety features

The machine/battery has a number of safety features that prevent damage to the machine and battery during use.

- During short high-load situations the overload protection may turn off the machine/battery. This protection resets automatically. Set the power switch to **0**, wait a few seconds, ensure that there is no load and then restart the machine. The machine should now function normally again.
- During high-load for extended periods the overheating protection may turn off the machine/battery. The protection resets itself but the machine cannot be restarted until it has returned to normal operating temperature. Let the machine cool properly before trying to restart it. Adverse temperatures can occur in direct sunlight and should therefore be avoided.
- The battery has low-voltage protection which operates when the battery becomes discharged. The low-voltage protection turns off the machine automatically and the battery then needs to be recharged.

Care and maintenance

Important: Always remove the battery from the machine before carrying out any adjustment, service or maintenance.

- Keep the motor ventilation openings free from contaminants.
- Clean the machine using a lightly moistened cloth. Only use mild cleaning agents, never solvents or corrosive chemicals.
- Do not allow the battery to completely discharge unless the machine is not to be used for a long time. Fully charge the battery regularly.

Troubleshooting guide

| Problem | Possible cause | Action |
|---|----------------------------|--------------------------------|
| The sander will not start. | Flat/discharged battery. | Recharge the battery. |
| | The battery is overheated. | Let the battery cool down. |
| | Worn brushes. | Contact our Customer Services. |
| | Faulty power trigger. | |
| The sander is sluggish and/or cuts out. | Worn sandpaper. | Replace the sandpaper. |
| | Too much pressure applied. | Decrease applied pressure. |
| | Flat/discharged battery. | Recharge the battery. |
| | The battery is overheated. | Let the battery cool down. |
| | The motor is overheated. | Let the machine cool down. |
| Sparks in the motor. | Faulty brushes. | Contact our Customer Services. |
| | Winding short circuited. | |
| | Dirty commutator. | |

Responsible disposal

This symbol indicates that this product should not be disposed of with general household waste. This applies throughout the entire EU. In order to prevent any harm to the environment or health hazards caused by incorrect waste disposal, the product must be handed in for recycling so that the material can be disposed of in a responsible manner. When recycling your product, take it to your local collection facility or contact the place of purchase. They will ensure that the product is disposed of in an environmentally sound manner.



Specifications

| | |
|------------------------------------|--|
| Hook and loop sanding plate | 140 × 140 × 80 mm |
| Strokes per minute | 22,000 |
| Battery | 18 V lithium-ion LXC (sold separately) |
| Noise level | LpA: 79 dB(A), Uncertainty KpA: 3 dB(A) LwA: 90 dB(A), Uncertainty KwA: 3 dB(A) |
| Vibration value | a _h : 7.121 m/s ² , Uncertainty K: 1.5 m/s ² |
| Weight | 0.8 kg (without battery) |

(Battery and charger sold separately)

Slipmaskin

Art.nr 40-8639 Modell DSB005

Läs igenom hela bruksanvisningen före användning och spara den sedan för framtida bruk. Vi reserverar oss för ev. text- och bildfel samt ändringar av tekniska data. Vid tekniska problem eller andra frågor, kontakta vår kundtjänst (se adressuppgifter på sida 2).

Säkerhet

Generella säkerhetsinstruktioner för laddbara handverktyg

Varning! Läs alla instruktioner. Om nedanstående instruktioner inte följs kan detta leda till elektrisk stöt, brand eller allvarlig skada. Termen "elektriskt handverktyg" i varningstexten nedan refererar till ditt nätanslutna eller batteridrivna handverktyg.

SPARA DESSA INSTRUKTIONER!

1) Arbetsutrymmet

- a) **Håll arbetsutrymmet rent och väl upplyst.** Belamrade och mörka utrymmen inbjuder till olyckor.
- b) **Använd inte elektriska handverktyg i explosiva miljöer, som i närheten av lättantändliga vätskor, gaser eller damm.** Elektriska handverktyg genererar gnistor som kan antända damm och ångor.
- c) **Håll barn och åskådare på avstånd när du använder det elektriska handverktyget.** Störningsmoment kan göra att du tappas kontrollen över verktyget.

2) Elektrisk säkerhet

- a) **Det elektriska handverktygets stickpropp måste passa i vägguttaget. Modifiera aldrig stickproppen på något vis. Använd aldrig adapter tillsammans med jordade elektriska handverktyg.** Omodifierade stickproppar och passande vägguttag minskar risken för elektrisk stöt.
- b) **Undvik kroppskontakt med jordade föremål, som rör, element, köksspis eller kylskåp.** Det innebär ökad risk för elektrisk stöt om din kropp är jordad.
- c) **Utsätt inte det elektriska handverktyget för regn eller våta förhållanden.** Om vatten tränger in i ett elektriskt handverktyg ökar det risken för elektrisk stöt.
- d) **Misshandla inte nätsladden. Använd aldrig nätsladden för att bära eller dra handverktyget eller för att rycka stickproppen ur vägguttaget. Håll undan nätsladden från värme, olja, vassa kanter och rörliga delar.** Skadade eller trasliga nätsladdar ökar risken för elektrisk stöt.
- e) **När du använder ett elektriskt handverktyg utomhus, använd en skarvsladd anpassad för detta ändamål.** Användning av en skarvsladd för utomhusbruk minskar risken för elektrisk stöt.
- f) **Om du måste använda ett elektriskt handverktyg på en fuktig plats, anslut verktyget till elnätet via en jordfelsbrytare.** Användning av jordfelsbrytare minskar risken för elektrisk stöt.

3) Personlig säkerhet

- a) **Var uppmärksam på vad du gör och använd sunt förnuft när du använder ett elektriskt handverktyg. Använd inte ett elektriskt handverktyg om du är trött eller påverkad av droger, alkohol eller medicinering.** Ett ögonblicks ouppmärksamhet när du använder ett elektriskt handverktyg kan resultera i allvarlig personskada.
- b) **Använd skyddsutrustning. Bär alltid skyddsglasögon.** Användning av skyddsutrustning som andningsskydd, halksäkra skyddsskor, hjälm och hörselskydd vid behov minskar risken för personskada.
- c) **Undvik oavsiktlig start. Se till att strömbrytaren är i läge OFF innan du ansluter stickproppen till vägguttaget.** Att bära ett elektriskt handverktyg med ett finger på strömbrytaren/avtryckaren eller att ansluta ett elektriskt handverktyg till elnätet när strömbrytaren är i läge ON inbjuder till olyckor.
- d) **Ta bort alla serviceverktyg/nycklar innan du slår på det elektriska handverktyget.** Ett kvarglömt serviceverktyg på en roterande del av det elektriska handverktyget kan resultera i personskada.
- e) **Sträck dig inte för långt. Se till att du står stadigt med god balans hela tiden.** Detta möjliggör bättre kontroll i oväntade situationer.
- f) **Bär lämplig klädsel. Bär inte löst sittande kläder eller smycken. Håll undan hår, kläder och handskar undan från rörliga delar.** Lösa kläder, smycken eller långt hår kan fastna i rörliga delar.
- g) **Om utrustning för utsugning och uppsamling av damm finns tillgänglig, se till att denna är ansluten och används.** Användning av dessa hjälpmedel kan minska dammrelaterade faror.

4) Användning och underhåll av det elektriska handverktyget

- a) **Pressa inte det elektriska handverktyget. Använd ett elektriskt handverktyg som är avsett för det arbetsmoment du utför.** Korrekt elektriskt handverktyg gör jobbet bättre och säkrare med avsedd matningshastighet.
- b) **Använd inte det elektriska handverktyget om strömbrytaren inte slår på och stänger av verktyget.** Alla elektriska handverktyg som inte kan kontrolleras med strömbrytaren är farliga och måste repareras.
- c) **Ta stickproppen ur vägguttaget innan du utför några justeringar, byter tillbehör eller lägger undan det elektriska handverktyget för förvaring.** Dessa åtgärder i förebyggande syfte minskar risken för att starta det elektriska handverktyget oavsiktligt.
- d) **Förvara elektriska handverktyg som inte används utom räckhåll för barn och låt inte personer som inte är förtrogna med det elektriska handverktyget eller dessa instruktioner använda det.** Elektriska handverktyg är farliga om de kommer i händerna på ovana användare.
- e) **Underhåll elektriska handverktyg. Kontrollera om något är felinställt, om rörliga delar kärvar, om delar har gått sönder eller om något annat inträffat som kan påverka funktionen hos det elektriska handverktyget. Om något är skadat måste det repareras före användning.** Många olyckor beror på dåligt underhållna elektriska handverktyg.

- f) **Håll verktygen vassa och rena.** Ordentligt underhållna skärverktyg med vassa eggar är mindre benägna att kärva och lättare att kontrollera.
- g) **Använd det elektriska handverktyget, tillbehör och liknande enligt instruktionerna och på det sätt som är ämnat för just den typen av elektriskt handverktyg, och ta även hänsyn till arbetsförhållandena och den typ av arbete som ska utföras.** Användning av det elektriska handverktyget för andra arbeten än vad det är ämnat för kan resultera i en farlig situation.

5) Användning och service av det laddbara handverktyget

- a) **Se till att strömbrytaren är i avstängt läge innan du monterar batteriet.** Att montera batteriet på ett elektriskt handverktyg som har strömbrytaren i påslaget läge inbjuder till olyckor.
- b) **Ladda batteriet endast med en laddare som är utvald av tillverkaren.** En laddare som passar till en typ av batteri kan orsaka brandrisk om den används till en annan typ av batteri.
- c) **Använd laddbara handverktyg endast tillsammans med därför ämnade batterier.** Användning av andra batterier kan orsaka skade- och brandrisk.
- d) **När batteriet inte används, förvara det på avstånd från andra metallföremål som gem, mynt, nycklar, spikar, skruvar eller andra små metallföremål som kan skapa kontakt från den ena batteripolen till den andra.** Kortslutning av batteripolerna kan orsaka brännskador eller brand.
- e) **Om batteriet misshandlas kan syra läcka ut. Undvik kontakt med syran. Om du av misstag kommer i kontakt med syran, spola med vatten. Om syran kommer i kontakt med ögonen, uppsök läkare.** Syra som kommer från batteriet kan orsaka irritation och brännskador.

6) Service

- a) **Låt behörig personal utföra service och reparationer, och endast med originalreservdelar.** Detta garanterar att säkerheten hos det elektriska handverktyget behålls.

Särskilda säkerhetsinstruktioner för slipmaskin

- Bär skyddsmask vid sliparbeten och använd om möjligt även en dammsugare ansluten till maskinen.
- Var extra noggrann vid slipning av färg som kan innehålla bly eller vid slipning av trä, metall eller andra material som kan avge giftigt slipdamm. Se då också till att personer som vistas på eller i närheten av arbetsplatsen är skyddade.
- Tänk på att slipdamm kan vara mycket brandfarligt i blandning med luft.

Särskilda säkerhetsföreskrifter för batterier/batteripack

- a) Försök aldrig öppna, ta isär eller på något annat sätt skada eller göra åverkan på batteriet.
- b) Kortslut inte batteriet. Förvara inte batteriet på sådant sätt att det kan komma i kontakt med andra batterier eller med andra strömledande föremål. När batteriet inte används, håll det på avstånd från alla metallföremål, t.ex. gem, mynt, nycklar, spikar och skruvar. Dessa föremål kan skapa kontakt mellan batteriets terminaler och kortslua batteriet, vilket kan leda till brännskador eller brand.
- c) Utsätt inte batteriet för värme eller öppen eld. Förvara inte batteriet i ihållande solljus.
- d) Utsätt inte batteriet för slag och stötar.
- e) Om batteriet läcker, låt inte vätskan komma i kontakt med hud eller ögon. Om så har skett, skölj omedelbart det utsatta området med rikligt med vatten och ta kontakt med läkare.
- f) Om batteriet eller delar av det har svalts, sök omedelbart kontakt med läkare.
- g) Håll batteriet rent och torrt.
- h) Rengör batteriet med en ren, torr trasa.
- i) Batteriet måste laddas innan det används. Följ alltid anvisningarna i den här bruksanvisningen och använd rätt laddmetod.
- j) Låt inte batteriet stå på laddning under längre perioder när det inte används.
- k) Om batteriet har lagrats under en längre period kan det behöva laddas och urladdas ett flertal gånger innan det uppnår sin fulla kapacitet.
- l) Batteriet har bäst kapacitet när det används i rumstemperatur (20 ± 5 °C).
- m) När batteriet ska lämnas till återvinning, håll batterier med olika elektrokemisk uppbyggnad separerade från varandra.
- n) Ladda batteriet endast med den medföljande laddaren. Använd ingen annan laddare än den som är speciellt utformad och avsedd för det aktuella batteriet. En laddare som är avsedd för en viss typ av batterier kan, om den används till andra batterier, leda till brand.
- o) Använd inte ett batteri som är avsett för annat verktyg än det som beskrivs i den här bruksanvisningen.
- p) Håll batteriet utom räckhåll för barn.
- q) Spara alla originaldokument som medföljer verktyget, för framtida bruk.
- r) Ta ut batteriet ur verktyget när det inte används.
- s) När du ska göra dig av med produkten ska detta ske enligt lokala föreskrifter.

Säkerhetsinstruktioner för batterier och laddare

- Försök aldrig att öppna batteriet.
- Förvara aldrig batteriet i direkt solljus eller vid temperaturer över 40 °C.
- Ladda batteriet endast i temperaturer mellan 5 och 40 °C.
- Utsätt aldrig batteriet eller laddaren för vatten.

Vibration

- Mätningen av den vibrationsnivå som anges i denna bruksanvisning har utförts enligt en mätmetod som är standardiserad i EN 60745 och kan användas vid jämförelse av olika elektriska handverktyg.
- Mätmetoden är även lämplig för preliminär bedömning av vibrationsbelastningen.
- Den angivna vibrationsnivån gäller när det elektriska handverktyget används på det sätt som beskrivs i den här bruksanvisningen. Om däremot det elektriska handverktyget används för andra ändamål och med andra tillbehör eller inte har underhållits ordentligt kan vibrationsnivån under arbetsperioden öka betydligt.
- För en exakt bedömning av vibrationsbelastningen bör även de tider beaktas när det elektriska handverktyget är frånkopplat eller är igång utan att det används. Detta reducerar vibrationsbelastningen betydligt för den totala arbetsperioden. Bestäm säkerhetsåtgärder för att skydda operatören mot vibrationernas inverkan vid alla typer av användning.

Produktmärkning med säkerhetssymboler



Läs hela bruksanvisningen.



Använd alltid hörselskydd.
Använd alltid skyddsglasögon.
Använd alltid andningskydd.

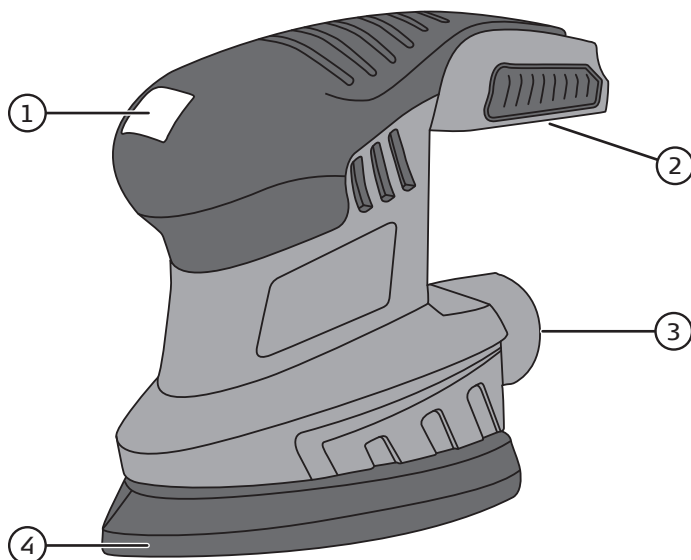


max 50 °C



Håll batteriet på avstånd från värme, t.ex. ihållande solljus eller öppen eld, vatten och fukt.
Risk för explosion.

Knappar och funktioner



1. [I]/[O] Strömbrytare
2. Batterianslutning
3. Anslutning för dammsugning
4. Slipplatta

Användning

Maskinen är avsedd för slipning och polering av trä, torkad spackelmasse samt målade och lackerade ytor. Se till att ytorna du ska slipa eller polera är torra.

1. Stå stadigt och håll i slipmaskinen med ett fast grepp.
2. Tryck [I] på strömbrytaren för att starta.
3. Stäng av maskinen genom att trycka [O] på strömbrytaren.

Byte av slippapper

1. Ta bort batteriet från slipmaskinen innan du byter slippapper.
2. Ta bort det gamla slippapperet och sätt dit ett nytt.

Överbelastning och skydd

Maskinen/batteriet är utrustat med ett antal skydd för att undvika skada på maskin och batteri.

- Vid kortvarig hög belastning kan överbelastningsskyddet stänga av maskinen/batteriet. Skyddet är självåterställande. Slå av strömbrytaren och vänta några sekunder, se till att maskinen är utan belastning och starta den på nytt. Maskinen ska nu fungera normalt igen.
- Vid hög belastning under längre tid kan ett överhettningsskydd stänga av maskinen/batteriet. Skyddet är självåterställande men maskinen går inte att starta förrän temperaturen sjunkit till en säker nivå. Låt maskinen/batteriet svalna innan du försöker starta. Skadliga temperaturer kan även uppstå vid direkt solljus vilket ska undvikas.
- Batteriet har ett underspänningsskydd vilket träder in när batteriet blir urladdat. Underspänningsskyddet stänger då av maskinen automatiskt och batteriet måste laddas.

Skötsel och underhåll

Viktigt! Ta alltid ur batteriet ur slipmaskinen innan justerings-, service- eller underhållsarbete utförs.

- Håll alltid motorns ventilationsöppningar fria från föroreningar.
- Rengör slipmaskinen med en lätt fuktad trasa. Använd ett mildt rengöringsmedel, aldrig lösningsmedel eller frätande kemikalier.
- Låt inte batteriet vara helt urladdat om inte slipmaskinen ska användas under en längre period. Ladda upp batteriet helt med jämna mellanrum.

Felsökningsschema

| Problem | Möjlig orsak | Åtgärd |
|---|-----------------------|--------------------------|
| Slipmaskinen går inte. | Batteriet urladdat. | Ladda batteriet. |
| | Batteriet överhettat. | Låt batteriet svalna. |
| | Slitna kolborstar. | Kontakta kundtjänst. |
| | Fel på strömbrytaren. | |
| Slipmaskinen går sakta och/eller stängs av. | Förbrukat papper. | Byt ut papperet. |
| | För hård matning. | Minska på matningen. |
| | Batteriet urladdat. | Ladda batteriet. |
| | Batteriet överhettat. | Låt batteriet svalna. |
| | Motorn är överhettad. | Låt slipmaskinen svalna. |
| Gnistbildning i motorn. | Fel på kolborstarna. | Kontakta kundtjänst. |
| | Lindning kortsluten. | |
| | Kollektorn smutsig. | |

Avfallshantering

Denna symbol innebär att produkten inte får kastas tillsammans med annat hushållsavfall. Detta gäller inom hela EU. För att förebygga eventuell skada på miljö och hälsa, orsakad av felaktig avfallshantering, ska produkten lämnas till återvinning så att materialet kan tas omhand på ett ansvarsfullt sätt. När du lämnar produkten till återvinning, använd dig av de returhanteringssystem som finns där du befinner dig eller kontakta inköpsstället. De kan se till att produkten tas om hand på ett för miljön tillfredställande sätt.



Specifikationer

| | |
|--------------------------------------|--|
| Slipplatta med kardborrefäste | 140 × 140 × 80 mm |
| Svängningar/min | 22000 |
| Batteri | 18 V litiumjon LXC (säljs separat) |
| Ljud | LpA: 79 dB(A), Onoggrannhet KpA: 3 dB(A) LwA: 90 dB(A), Onoggrannhet KwA: 3 dB(A) |
| Vibrationsvärde | a _H : 7,121 m/s ² , Onoggrannhet K: 1,5 m/s ² |
| Vikt | 0,8 kg (utan batteri) |

(Batteri och laddare säljs separat)

Slipemaskin

Art.nr. 40-8639 Modell DSB005

Les gjennom hele bruksanvisningen før bruk, og ta vare på den for fremtidig bruk. Vi tar forbehold om eventuelle tekst- og bildefeil samt endringer i tekniske data. Hvis det skulle oppstå tekniske problemer, eller hvis du har spørsmål, kan du ta kontakt med kundeservice (se vår kontakinformasjon på side 2).

Sikkerhet

Generelle sikkerhetsinstruksjoner for ladbare håndverktøy

Advarsel! Les gjennom hele brukerveiledningen. Hvis ikke veiledningene følges kan dette føre til elektrisk støt, brann og/eller andre alvorlige skader. Med «elektrisk håndverktøy» i den følgende teksten menes verktøy som enten er koblet til strømmettet eller batteridrevne håndverktøy.

TA VARE PÅ DENNE VEILEDNINGEN.

1) Arbeidsplassen

- a) **Hold arbeidsplassen ren, ryddig og godt opplyst.** Rot og dårlig opplyst arbeidsplass kan forårsake ulykker.
- b) **Ikke bruk elektriske håndverktøy i eksplosjonsfarlige omgivelser, som for eksempel nær lettantennelige væsker, gasser eller støv.** Elektrisk håndverktøy kan danne gnister, som igjen kan antenne støv eller trespon.
- c) **Hold barn og andre på god avstand når håndverktøy er i bruk.** Forstyrrelser kan føre til at man mister kontrollen.

2) Sikkerhet ved bruk av elektrisk strøm

- a) **Støpselet til det elektriske verktøyet må passe i strømmuttaket. Støpselet må ikke endres på. Bruk aldri adapter sammen med elektrisk håndverktøy som krever jording.** Ved bruk av originale støpsler reduseres faren for elektrisk støt.
- b) **Unngå kroppskontakt med jordede gjenstander, som rør, ovner, komfyrer, kjøleskap etc.** Kroppskontakt med disse øker faren for elektrisk støt.
- c) **Elektrisk håndverktøy bør ikke utsettes for regn eller fuktighet.** Hvis det kommer vann inn i et elektrisk håndverktøy, øker faren for elektrisk støt.
- d) **Påse at ikke strømledningen blir skadet. Bær aldri apparatet i strømledningen. Trekk heller ikke i strømledningen når støpselet skal tas ut av strømmuttaket. Hold ledningen unna varme, olje, skarpe kanter og bevegelige deler.** Skadede eller deformerte ledninger kan øke faren for elektrisk støt.
- e) **Ved bruk av elektrisk håndverktøy utendørs, skal man benytte en skjøteledning som er beregnet til dette formålet.** Når skjøteledning som er beregnet for utendørs bruk benyttes, reduseres faren for elektrisk støt.
- f) **Dersom det elektriske håndverktøyet skal brukes i fuktige omgivelser, må verktøyet kobles til stømmettet via en jordfeilbryter.** Bruk av jordfeilbryter reduserer faren for elektrisk støt.

3) Personlig sikkerhet

- a) **Vær våken og bruk sunn fornuft når du bruker et elektrisk verktøy. Ikke bruk elektriske håndverktøy når du er trett eller påvirket av rusmidler, alkohol eller sterke medisiner.** Når du bruker elektrisk håndverktøy kan et lite øyeblikks uoppmerksomhet resultere i store personskader.
- b) **Bruk verneutstyr. Benytt alltid vernebriller.** Bruk av verneutstyr som støvmaske, sklislire såler på skoene, hjelm og hørselsvern ved behov, reduserer faren for personskade.
- c) **Unngå uønsket oppstart. Påse at strømbryteren står i posisjon OFF før strømmen kobles til.** Det å bære et elektrisk håndverktøy med en finger på avtrekkeren/strømbryteren, eller å koble til strømmen mens strømbryteren står i posisjon ON, kan forårsake ulykker.
- d) **Fjern alle nøkler/serviceverktøy før det elektriske håndverktøyet startes.** Et gjenglemt serviceverktøy på en roterende del, kan forårsake personskader.
- e) **Strekk deg ikke for langt. Påse at du står stødig og har god balanse under hele arbeidsoperasjonen.** Da er du bedre forberedt når uventede situasjoner oppstår.
- f) **Bruk fornuftige arbeidsklær. Ikke bruk løstsittende klær og smykker. Hold klær, hansker og smykker unna bevegelige deler.** Løstsittende klær, smykker eller langt hår, kan feste seg i bevegelige deler.
- g) **Hvis det er mulig å koble til en støvsamler/støvsuger, bør dette gjøres.** Ved bruk av slike hjelpemidler, kan en redusere faren for støvrelaterte skader og ulykker.

4) Bruk og vedlikehold av det elektriske håndverktøyet

- a) **Ikke press et elektrisk håndverktøy. Bruk elektriske håndverktøy som er beregnet til den arbeidsoperasjonen du skal utføre.** Riktig hastighet på matingen er viktig for å utføre bedre og sikrere arbeid.
- b) **Ikke bruk det elektriske håndverktøyet dersom det er feil på strømbryteren og den ikke skrur verktøyet på/av med din kontroll.** Alle elektriske håndverktøy, som ikke kan kontrolleres med en strømbryter, er farlige og må repareres.
- c) **Trekk ut støpselet før justeringer utføres, ved skifte av tilbehør eller når verktøyet legges til oppbevaring.** Dette for å unngå at elektrisk håndverktøy får en ukontrollert start.
- d) **Oppbevar elektrisk håndverktøy utilgjengelig for barn. Påse også at elektrisk håndverktøy er utilgjengelig for personer som ikke har fått tilstrekkelig opplæring på eller er fortrolig med verktøyet.** Elektriske håndverktøy kan være farlige hvis de kommer uvedkommende i hende.
- e) **Hold det elektriske håndverktøyet ved like. Kontroller at verktøyet ikke er feilinnstilt, at bevegelige deler ikke beveger seg usymmetrisk, at ingen deler er skadet eller at det elektriske håndverktøyet har andre feil som kan påvirke dets funksjon. Dersom noe er skadet må dette repareres før verktøyet tas i bruk.** Mange ulykker skyldes dårlig eller manglende vedlikehold.
- f) **Hold verktøyene skarpe og rene. Påse også at det elektriske verktøyet holdes skarpt.** Godt vedlikeholdt skjæreverktøy, med skarpe egger, er lettere å kontrollere.
- g) **Følg instruksjonen, ta hensyn til arbeidsforholdene og hva slags type arbeid som skal utføres.** Bruk av elektrisk håndverktøy til andre arbeidsoperasjoner enn det som det er beregnet til, kan skape farlige situasjoner.

5) *Bruk og service av det ladbare håndverktøyet*

- a) **Påse at strømbryteren er skrudd av før du monterer batteriet.** Hvis batteriet monteres på et elektrisk håndverktøy med strømbryteren skrudd på, kan det føre til ulykker.
- b) **Lad batteriene kun med lader som er bestemt av produsenten.** En lader som er beregnet for en type batteri kan forårsake brann når den blir brukt til en annen type batterier.
- c) **Ladbare håndverktøy må kun brukes sammen med dertil egnede batterier.** Bruk av annet batteri kan forårsake skade og kan være en brannfare.
- d) **Når batteriet ikke er i bruk, må det oppbevares på god avstand fra metallgjenstander som; mynter, nøkler, spiker, skruer o.l. som kan lede strøm fra den ene batteripolen til den andre.** Kortslutting av batteripolene kan forårsake brann eller brannskader.
- e) **Hvis batteriet vannskjøttes kan syre lekke ut. Unngå kontakt med batterisyre.** Hvis du ved et uhell skulle komme i kontakt med batterisyre må du straks skylle deg med vann. Dersom syren kommer i kontakt med øynene, må lege oppsøkes. Syre fra batteriet kan forårsake irritasjon og brannskader.

6) *Service*

- a) **La profesjonelle fagfolk utføre service og reparasjoner. Benytt kun originale reservedeler.** Dette for å opprettholde sikkerheten ved bruk av det elektriske håndverktøyet.

Særskilte sikkerhetsinstruksjoner for slিপemaskin

- Bruk vernemaske ved slіpearbeid, og bruk om mulig også en støvsuger koblet til maskinen.
- Vær ekstra nøye ved slіping av farge som kan inneholde bly, eller ved slіping av tre, metall eller andre materialer som kan avgi giftig slіpestøv. Sørg også for at besøkende på eller i nærheten av arbeidsplassen er beskyttet.
- Tenk på at slіpestøv kan være svært brannfarlig når det blandes med luft.

Spesielle sikkerhetsforskrifter for batterier/batteripakker

- a) **Batteriet må ikke forsøkes åpnet eller skades på annen måte.**
- b) **Kortslett ikke batteriet. Batteriet må ikke oppbevares slik at det kan komme i kontakt med andre batterier eller andre strømførende gjenstander.** Når batteriet ikke er i bruk skal det holdes unna alle gjenstander av metall som f.eks. binders, mynter, nøkler, spikre og skruer. Disse gjenstandene kan lage kontakt mellom batteriets poler og kortslette det. Dette kan i sin tur føre til brann og brannskader.
- c) **Utsett ikke batterier for varme eller åpen flamme. Batteriet må ikke oppbevares i vedvarende sollys.**
- d) **Utsett aldri batteriet for slag eller støt.**

- e) Hvis batteriet lekker må man sørge for at ikke væsken kommer i kontakt med hud eller øyne. Hvis dette skulle skje, må man skylle det utsatte området umiddelbart med rikelig med vann og kontakte lege.
- f) Hvis batteriet eller deler av det svelges må man umiddelbart kontakte lege.
- g) Hold batteriet tørt og rent.
- h) Batteriet rengjøres med en ren, tørr klut.
- i) Batteriet må lades før det tas i bruk. Følg alltid anvisningene i denne brukerveiledningen og bruk riktig lademetode.
- j) La ikke batteriet bli stående til lading i lengre tid hvis det ikke er i bruk.
- k) Hvis batteriet er blitt lagret over en lengre periode kan det hende at det må lades opp og lades ut igjen flere ganger før det oppnår full kapasitet.
- l) Batteriet yter best når det brukes ved romtemperatur ($20 \pm 5 \text{ }^\circ\text{C}$).
- m) Når batteriet skal leveres til resirkulering skal batterier med forskjellige elektrokjemisk oppbygning holdes adskilt.
- n) Batteriet skal kun lades med den medfølgende laderen. Ikke bruk andre ladere til batteriet enn det som er spesialutformet og beregnet til akkurat dette. En lader som er beregnet til en viss type batterier kan, hvis det brukes til andre typer, føre til brann.
- o) Ikke bruk batteri som er beregnet brukt til et annet verktøy enn det som er beskrevet her i denne brukerveiledningen.
- p) Hold batteriet utenfor barns rekkevidde.
- q) Ta godt vare på alle originaldokumenter som følger med verktøyet.
- r) Ta batteriene ut av verktøyet når det ikke er i bruk.
- s) Når produktet skal kasserres, må det skje i henhold til lokale forskrifter.

Sikkerhetsinstruksjoner for batterier og ladere

- Batteriet må ikke åpnes.
- Oppbevar aldri batterier i direkte sollys eller ved temperaturer over $40 \text{ }^\circ\text{C}$.
- Ladetemperatur for batterier bør ligge på mellom 5 til $40 \text{ }^\circ\text{C}$.
- Batterier og lader må ikke utsettes for vann.

Vibrasjon

- Målingen av vibrasjonsnivået som er oppgitt i denne bruksanvisningen er utført i henhold til en standard målemetode etter EN60745 og kan benyttes ved sammenlikning av forskjellige elektriske håndverktøy.
- Målemetoden kan også benyttes til foreløpige målinger av vibrasjonsbelastningen.
- Vibrasjonsnivået som er oppgitt gjelder når det elektriske håndverktøyet brukes som beskrevet i bruksanvisningen. Hvis verktøyet skal brukes til andre formål og med annet tilbehør eller ikke er tilstrekkelig vedlikeholdt kan vibrasjonsnivået øke betraktelig.
- For å få en grundig vurdering av vibrasjonsbelastningen bør man også ta i betraktning den tiden håndverktøyet er frakoblet eller er i gang uten å bli brukt. Dette reduserer vibrasjonsbelastningen betydelig for den totale arbeidsperioden. Når man skal vurdere sikkerhetstiltak mot vibrasjonenes påvirkning på operatøren bør det tas hensyn til alle typer bruk av håndverktøyet.

Produktmerking med sikkerhetssymboler



Les hele bruksanvisningen.



Bruk alltid hørselsvern.
Benytt alltid vernebriller.
Benytt alltid åndedrettsvern.

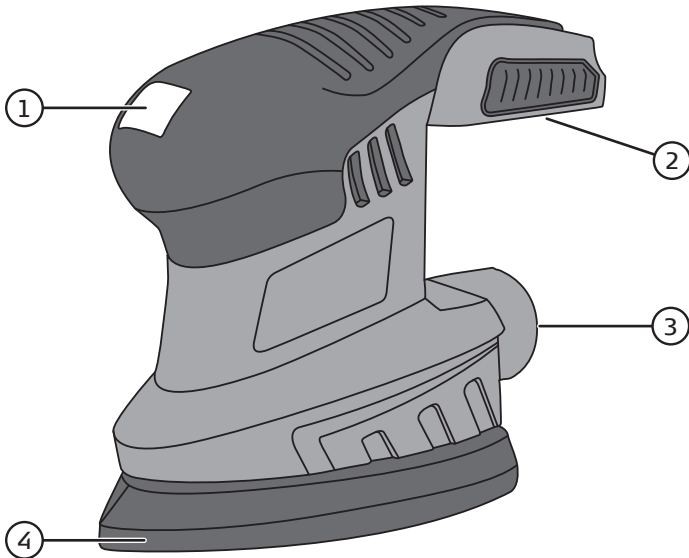


max 50 °C



Hold batteriet på god avstand fra varme, som f.eks. vedvarende sollys, åpen flamme, vann og fuktighet. Fare for eksplosjon.

Knapper og funksjoner



1. [I]/[O] Strømbryter
2. Batteritilkobling
3. Tilkoblingspunkt for støvsugeradapter
4. Slipeplate

Bruk

Maskinen er beregnet for sliping og polering av tre, tørket sparkelmasse samt malte og lakkerte overflater. Kontroller at overflatene du skal slipe eller polere, er tørre.

1. Stå støtt og ha et fast grep om slipemaskinen.
2. Trykk på [I] på strømbryteren for å starte.
3. Slå av maskinen ved å trykke på [0] på strømbryteren.

Skifte sandpapir

1. Ta ut batteriet av slipemaskinen før du skifter sandpapir.
2. Ta av det gamle sandpapiret og sett på et nytt.

Overbelastning og beskyttelse

Maskinen/batteriet er utstyrt med flere beskyttelsesmekanismer for å unngå skade på maskin og batteri.

- Ved kortvarig høy belastning kan overbelastningsvernet slå av maskinen/batteriet. Overbelastningsvernet tilbakestilles automatisk. Slå av strømbryteren og vent noen sekunder, kontroller at maskinen er uten belastning, og start den på nytt. Maskinen skal nå fungere normalt igjen.
- Ved høy belastning over lengre tid kan en overopphetingsbeskyttelse slå av maskinen/batteriet. Beskyttelsen tilbakestilles automatisk, men maskinen lar seg ikke starte før temperaturen har sunket til et sikkert nivå. La maskinen/batteriet avkjøles før du forsøker å starte. Skadelige temperaturer kan også oppstå ved direkte sollys, så det bør unngås.
- Batteriet har en underspenningsbeskyttelse som aktiveres når batteriet blir utladet. Underspenningsbeskyttelsen slår da av maskinen automatisk, og batteriet må lades.

Behandling og vedlikehold

Viktig! Ta alltid batteriet ut av slipemaskinen før justerings-, service- eller vedlikeholdsarbeid skal utføres.

- Hold alltid motorens ventilasjonsåpninger fri for forurensning.
- Rengjør slipemaskinen med en lett fuktet klut. Bruk et mildt rengjøringsmiddel. Bruk aldri løsemidler eller etsende kjemikalier.
- La ikke batteriet være helt utladet selv om slipemaskinen ikke skal brukes i en lengre periode. Lad batteriet helt opp med jevne mellomrom.

Feilsøking

| Problem | Mulig årsak | Tiltak |
|---|----------------------------|----------------------------|
| Slipemaskinen går ikke. | Batteriet er utladet. | Lad batteriet. |
| | Batteriet er overopphetet. | La batteriet avkjøles. |
| | Slitte børster. | Kontakt kundeservice. |
| | Feil på strømbryteren. | |
| Slipemaskinen går sakte og/eller slår seg av. | Oppbrukt papir. | Bytt ut papiret. |
| | For hard mating. | Reduser matingen. |
| | Batteriet er utladet. | Lad batteriet. |
| | Batteriet er overopphetet. | La batteriet avkjøles. |
| | Motoren er overopphetet. | La slipemaskinen avkjøles. |
| Gnister i motoren. | Feil på børstene. | Kontakt kundeservice. |
| | Ledningen er kortsluttet. | |
| | Oppsamleren er skitten. | |

Avfallshåndtering

Symbolet viser til at produktet ikke skal kastes sammen med husholdningsavfallet. Dette gjelder i hele EØS-området. For å forebygge eventuelle skader på helse og miljø, som følge av feil håndtering av avfall, skal produktet leveres til gjenvinning, slik at materialet blir tatt hånd om på en ansvarsfull måte. Benytt miljøstasjonene som er der du befinner deg eller ta kontakt med forhandler. De kan se til at produktet blir behandlet på en tilfredsstillende måte som gagnar miljøet.



Spesifikasjoner

| | |
|--------------------------------|--|
| Slipeskive med borrelås | 140 × 140 × 80 mm |
| Svingninger/min | 22 000 |
| Batteri | 18 V litiumion LXC (selges separat) |
| Lyd | LpA: 79 dB(A), unøyaktighet KpA: 3 dB(A) LwA: 90 dB(A), unøyaktighet KwA: 3 dB(A) |
| Vibrasjonsverdi | a _h : 7,121 m/s ² , unøyaktighet K: 1,5 m/s ² |
| Vekt | 0,8 kg (uten batteri) |

(Batteri og lader selges separat)

Hiomakone

Tuotenro 40-8639 Malli DSB005

Lue käyttöohjeet ennen tuotteen käyttöönottoa ja säilytä ne tulevaa tarvetta varten. Pidätämme oikeuden teknisten tietojen muutoksiin. Emme vastaa mahdollisista teksti- tai kuvavirheistä. Jos tuotteeseen tulee teknisiä ongelmia, ota yhteys myymälään tai asiakaspalveluun (yhteystiedot sivulla 2).

Turvallisuus

Ladattavien käsityökalujen yleisiä turvallisuusohjeita

Varoitus! Lue kaikki ohjeet. Seuraavien ohjeiden noudattamatta jättäminen saattaa johtaa sähköiskuun, tulipaloon ja/tai vakavaan onnettomuuteen. Varoitus tekstien termi ”sähkökäyttöinen käsityökalu” tarkoittaa verkkovirralla tai akulla toimivaa käsityökaluasi.

SÄÄSTÄ NÄMÄ OHJEET!

1) Työtilat

- Pidä työtilat puhtaina ja hyvin valaistuin.** Täynnä tavaraa olevat ja pimeät tilat lisäävät onnettomuusriskejä.
- Älä käytä sähkökäyttöisiä käsityökaluja räjähdysriskissä ympäristössä, kuten helposti syttyvien nesteiden, kaasujen tai pölyn lähellä.** Sähkökäyttöiset käsityökalut muodostavat kipinöitä, jotka saattavat sytyttää pölyn tai höyryt.
- Pidä lapset ja vierailijat loitolla, kun käytät sähkökäyttöisiä käsityökaluja.** Häiriötekijät saattavat johtaa laitteen hallinnan menettämiseen.

2) Sähköturvallisuus

- Sähkökäyttöisen käsityökalun pistokkeen tulee sopia pistorasiaan. Älä muuta pistoketta millään tavalla. Älä käytä adapteria maadoitettujen sähkökäyttöisten sähkötyökalujen kanssa.** Muuttamattomat pistokkeet ja sopivat pistorasiat vähentävät sähköiskun riskiä.
- Vältä koskettamasta maadoitettuja esineitä, kuten putkia, lämpöpattereita, hellaa tai jääkaappia.** Sähköiskun riski kasvaa, mikäli kehosi on maadoitettu.
- Älä altista sähkökäyttöistä käsityökalua sateelle äläkä käytä sitä kosteissa olosuhteissa.** Veden joutuminen sähkökäyttöiseen käsityökaluun lisää sähköiskun vaaraa.
- Käsittele sähköjohtoa varoen! Älä käytä sähköjohtoa laitteen kantamiseen äläkä irrota pistoketta pistorasiasta johdosta vetämällä. Älä altista virtajohtoa kuumuudelle, öljyille, teräville reunoille tai liikkuville osille.** Vioittuneet tai sotkeutuneet virtajohdot lisäävät sähköiskun vaaraa.
- Kun käytät sähkökäyttöistä käsityökalua ulkona, käytä ainoastaan ulkokäyttöön sopivia jatkojohtoja.** Ulkokäyttöön sopivan jatkojohdon käyttäminen pienentää sähköiskun vaaraa.
- Jos sähkökäyttöistä käsityökalua käytetään kosteassa ympäristössä, se tulee liittää sähköverkkoon vikavirtasuojakytkimen kautta.** Vikavirtasuojakytkimen käyttö vähentää sähköiskun vaaraa.

3) *Oma turvallisuutesi*

- a) **Ole tarkkaavainen ja käytä tervettä järkeä, kun työskentelet sähkökäyttöisellä käsityökalulla. Älä käytä sähkökäyttöistä käsityökalua, mikäli olet väsynyt tai huumeiden, lääkkeiden tai alkoholin vaikutuksen alainen.** Lyhyenkin hetken kestävä tarkkaavaisuuden herpaantuminen saattaa johtaa vakavaan loukkaantumiseen.
- b) **Käytä suojarusteita. Käytä aina suojalaseja.** Suojarusteiden, kuten hengityssuojaimen, liukuestekenkien, kypärän ja kuulosuojaimien, käyttäminen vähentää loukkaantumisvaaraa.
- c) **Vältä tahatonta käynnistystä. Varmista, että virtakytkin on asennossa OFF ennen kuin liität pistokkeen seinäpistorasiaan.** On äärimmäisen vaarallista kantaa sähkökäyttöistä käsityökalua sormi liipaisimella tai liittää sähkökäyttöinen käsityökalu pistorasiaan virtakytkimen ollessa ON-asennossa.
- d) **Poista kaikki huoltotyökalut/avaimet, ennen kuin käynnistät sähkökäyttöisen käsityökalun.** Sähkökäyttöisen käsityökalun liikkuvan osan päälle unohdettu työkalu saattaa johtaa onnettomuuteen.
- e) **Älä kurota liian pitkälle. Varmista, että työasentosi on tasapainoinen työn jokaisessa vaiheessa.** Näin olet paremmin varustautunut mahdollisen onnettomuuden sattuessa.
- f) **Käytä tarkoituksenmukaisia vaatteita. Älä käytä löysiä vaatteita tai koruja. Pidä hiukset, vaatteet ja käsineet loitolla liikkuvista osista.** Löysät vaatteet, korut tai pitkät hiukset saattavat juuttua liikkuviin osiin.
- g) **Jos käytössäsi on pölynpoistojärjestelmä, käytä sitä.** Näiden apuvälineiden käyttö saattaa vähentää pölyyn liittyviä vaaroja.

4) *Sähkökäyttöisten käsityökalujen käyttäminen ja huoltaminen*

- a) **Älä pakota sähkökäyttöistä käsityökalua. Käytä sähkökäyttöistä käsityökalua, joka soveltuu suunnittelemaasi työtehtävään.** Sopiva sähkökäyttöinen käsityökalu tekee työn paremmin ja turvallisemmin oikealla nopeudella.
- b) **Älä käytä sähkökäyttöistä käsityökalua, mikäli virtakytkin ei käynnistä ja sammuta laitetta.** Kaikki sähkökäyttöiset käsityökalut, joita ei voida hallita virtakytkimellä, ovat vaarallisia ja ne tulee korjata.
- c) **Irrota pistoke pistorasiasta ennen kuin teet sähkökäyttöiseen käsityökaluun säätöjä tai ennen kuin vaihdat sen varusteita tai ennen kuin asetat sen säilytykseen.** Nämä ennaltaehkäisevät toimenpiteet vähentävät sähkökäyttöisen käsityökalun tahatonta käynnistymistä.
- d) **Säilytä sähkökäyttöisiä käsityökaluja lasten ulottumattomissa. Älä luovuta sähkökäyttöistä käsityökalua henkilöille, jotka eivät tunne sitä tai sen käyttöohjetta.** Sähkökäyttöiset käsityökalut ovat vaarallisia tottumattoman käyttäjän käsissä.
- e) **Huolla sähkökäyttöisiä käsityökaluja. Tarkasta, että säädöt ovat kunnossa, että liikkuvat osat liikkuvat esteettä, että osat ovat ehjiä ja että sähkökäyttöisessä käsityökalussa ei ole muita seikkoja, jotka vaikuttavat laitteen toimintaan. Jos jokin osa on vioittunut, se tulee korjata ennen käyttöä.** Monet onnettomuudet johtuvat väärin hoidetuista sähkökäyttöisistä käsityökaluista.

- f) **Pidä työkalut puhtaina ja terävinä.** Terätyökalun hallinta on helpompaa, kun se on oikein hoidettu ja sen terät ovat teräviä.
- g) **Käytä sähkökäyttöistä käsityökalua, sen varusteita tms. ohjeiden mukaisesti ja sellaisella tavalla, joka sopii kyseiselle sähkökäyttöiselle käsityökalulle ja ota myös huomioon työskentelyolosuhteet ja suoritettava työ.** Sähkökäyttöisen käsityökalun käyttäminen muihin kuin sille tarkoitettuihin työtehtäviin saattaa johtaa vaaratilanteeseen.

5) Ladattavien käsityökalujen käyttäminen ja huoltaminen

- a) **Varmista, että laite on sammutettu virtakytkimestä, ennen kuin asennat akun.** Jos asennat akun käsityökaluun, jonka virtakytkin on päällä, onnettomuusriski on ilmeinen.
- b) **Lataa akku ainoastaan valmistajan hyväksymällä laturilla.** Tietyn tyyppiselle akulle sopiva laturi saattaa aiheuttaa tulipalon, jos sitä käytetään vääräntyyppisen akun lataukseen.
- c) **Käytä akkukäyttöisessä käsityökalussa vain siihen soveltuvia akkuja.** Vääräntyyppisten akkujen käyttäminen saattaa johtaa onnettomuuteen tai tulipaloon.
- d) **Kun akkua ei käytetä, sitä tulee säilyttää poissa metalliesineiden ulottuvilta (esim. paperiliittimet, kolikot, avaimet, naulat tai muut metalliesineet), jotka saattavat muodostaa kontaktin akun napojen väliille.** Akun napojen oikosulku saattaa aiheuttaa palovammoja tai tulipalon.
- e) **Vahingoittuneesta akusta saattaa vuotaa akkuhappoa. Vältä kontaktia hapon kanssa. Jos kuitenkin joudut kosketuksiin hapon kanssa, huuhtele kohta vedellä. Mikäli happoa joutuu silmiin, hakeudu lääkäriin.** Akun happo saattaa aiheuttaa ärsytystä ja palovammoja.

6) Huolto

- a) **Laitteen saa huoltaa ja korjata ainoastaan ammattihenkilö ja huollossa tulee käyttää ainoastaan alkuperäisosa.** Näin taataan sähkökäyttöisen käsityökalun turvallisuus.

Hiomakoneen turvallisuusohjeita

- Käytä suojanaamaria hiontatöissä. Jos mahdollista, liitä pölynpoistoimuri koneen imuiliitäntään.
- Ole erityisen huolellinen myrkyllisten hiontapölyjen suhteen: Lyijypitoiset maalit, tietyt puut, metallit ja muut materiaalit saattavat tuottaa myrkyllistä pölyä. Varmista myös, että henkilöt jotka oleilevat työtiloissa tai niiden läheisyydessä, ovat suojattuja.
- Ota huomioon, että hiomispöly saattaa olla helposti syttyvää ollessaan kosketuksissa ilman kanssa.

Akkuja koskevia turvallisuusohjeita

- a) Älä yritä avata, purkaa, muuttaa tai vahingoittaa akkua.
- b) Älä oikosulje akkua. Älä säilytä akkua paikassa, jossa se voi joutua kosketuksiin muiden akkujen tai jännitteisten esineiden kanssa. Kun akkua ei käytetä, huolehdi siitä, että se ei joudu kosketuksiin metalliesineiden, kuten paperiliitinten, kolikoiden, avainten, naulojen ja ruuvien kanssa. Nämä esineet saattavat muodostaa kontaktin akun napojen välillä, mikä voi aiheuttaa oikosulun, joka voi johtaa palovammoihin tai tulipaloon.
- c) Älä altista akkua kuumuudelle tai avotulelle. Älä säilytä akkua auringonvalossa.
- d) Älä altista akkua kolhuille tai iskuille.
- e) Jos akku vuotaa, huolehdi, että neste ei joudu kosketuksiin ihon tai silmien kanssa. Jos näin käy, huuhtelee nesteelle altistunut alue runsaalla vedellä ja hakeudu lääkäriin.
- f) Jos akku tai sen osia on nieltä, hakeudu välittömästi lääkäriin.
- g) Pidä akku puhtaana ja kuivana.
- h) Puhdista akku kuivalla ja puhtaalla liinalla.
- i) Akku tulee ladata ennen käyttöä. Noudata aina tämän käyttöohjeen latausohjeita.
- j) Älä jätä akkua liian pitkäksi aikaa lataukseen.
- k) Jos akku on ollut pitkään käyttämättä, se saavuttaa täyden kapasiteetin vasta kun se on ladattu ja tyhjennetty useita kertoja.
- l) Akun kapasiteetti on paras, kun sitä käytetään huoneenlämmössä ($20 \pm 5 \text{ }^\circ\text{C}$).
- m) Kun viet akun kierrätykseen, pidä se erillään erityyppisistä akuista.
- n) Lataa akkua vain mukana tulevalla laturilla. Käytän akun lataukseen vain sille soveltuvaa laturia. Vääräntyyppisen laturin käyttäminen saattaa johtaa tulipaloon.
- o) Älä käytä akkua, joka on tarkoitettu muille, kuin tässä käyttöohjeessa mainituille työkaluille.
- p) Pidä akku poissa lasten ulottuvilta.
- q) Säästä kaikki työkalujen mukana tulevat ohjeet ja asiakirjat.
- r) Poista akku työkalusta, kun et käytä sitä.
- s) Kierrätä tuote asianmukaisesti, kun poistat sen käytöstä.

Akkua ja laturia koskevia turvallisuusohjeita

- Älä yritä avata akkua.
- Älä koskaan säilytä akkua suorassa auringonvalossa tai yli $40 \text{ }^\circ\text{C}$:n lämpötiloissa.
- Akun latauksen sallittu lämpötila-alue on $5 \dots 40 \text{ }^\circ\text{C}$.
- Älä altista akkua tai sen laturia vedelle.

Tärinä

- Käyttöohjeessa ilmoitetun tärinäarvon mittausta on suoritettu EN 60745 -standardisoidulla mittaustavalla, ja se soveltuu sähkökäyttöisten käsityökalujen vertailuun.
- Mittaustapa soveltuu myös tärinäkuormituksen alustavaan arviointiin.
- Ilmoitettu tärinäarvo toteutuu, kun sähkökäyttöistä käsityökalua käytetään käyttöohjeessa kuvatulla tavalla. Jos sähkökäyttöistä käsityökalua käytetään muihin tarkoituksiin ja muilla tarvikkeilla, tai jos sitä ei ole huollettu kunnolla, käytön aikainen tärinäarvo saattaa kasvaa huomattavasti.
- Tarkan tärinäkuormituksen arvioimiseksi pitää huomioida ajat, jolloin sähkökäyttöinen käsityökalu ei ole kytkettynä, tai kun se on käynnissä ilman, että sitä käytetään. Tämä vähentää huomattavasti koko työskentelyjakson tärinäkuormitusta. Päätä turvallisuustoimenpiteet suojataksesi käyttäjää tärinän vaikutukselta kaikissa käyttötarkoituksissa.

Tuotteen merkinnät ja turvallisuussymbolit



Lue koko käyttöohje.



Käytä aina kuulosuojaimia.
Käytä aina suojalaseja.
Käytä aina hengityssuojainta.

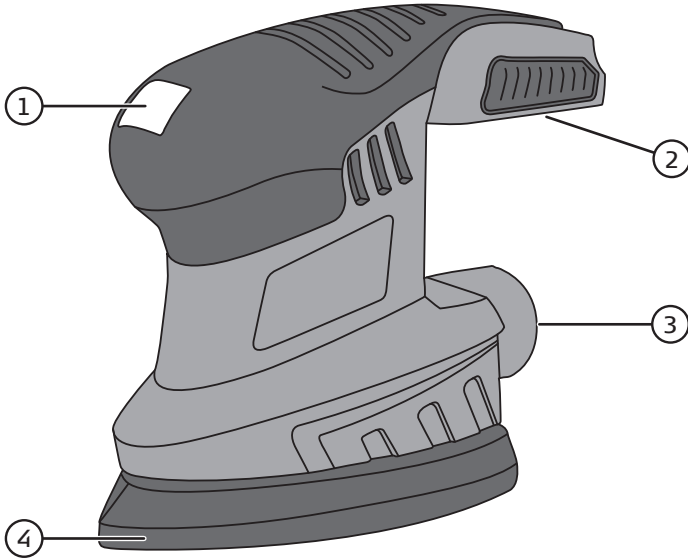


max 50°C



Pidä akku loitolla kuumista paikoista, kuten auringonvalosta ja tulesta sekä vedestä ja kosteudesta. Räjähdyysvaara.

Painikkeet ja toiminnot



1. [I]/[0] Virtakytkin
2. Akkuliitääntä
3. Pölynimurisovittimen liitääntä
4. Hiomalevy

Käyttö

Hiomakone on tarkoitettu puun, kuivuneen tasoitteen ja maalattujen pintojen hiontaan ja kiillotukseen. Varmista, että hiottavat tai kiillotettavat pinnat ovat kuivat.

1. Seiso tukevasti ja pidä kiinni laitteesta hyvällä otteella.
2. Käynnistä hiomakone painamalla virtakytkimen [I]-painiketta.
3. Sammuta hiomakone painamalla virtakytkimen [0]-painiketta.

Hiomapaperin vaihto

1. Poista akku hiomakoneesta ennen hiomapaperin vaihtamista.
2. Poista vanha hiomapaperi ja aseta uusi tilalle.

Ylikuormitus ja ylikuormitussuoja

Koneessa/akussa on erilaisia suojatoimintoja koneen ja akun suojaamiseksi.

- Lyhytaikaisen korkean kuormituksen aikana ylikuormitussuoja saattaa sammuttaa koneen/akun. Ylikuormitussuoja palautuu itsestään. Vapauta virtakytkin ja odota muutaman sekunnin ajan. Varmista, että konetta ei ole kuormitettu ja käynnistä se uudelleen. Kone toimii taas normaalisti.
- Pitkäaikaisen kovan kuormituksen sattuessa ylikuormitussuoja saattaa sammuttaa koneen/akun. Suoja palautuu itsestään, mutta konetta ei voi käynnistää, ennen kuin sen lämpötila on laskenut turvalliselle tasolle. Anna koneen/akun jäähtyä, ennen kuin yrität käynnistää sen uudelleen. Vältä suoraa auringonvaloa, sillä se saattaa myös kuumentaa konetta liikaa.
- Akussa on alijännitesuojaus, mikä sammuttaa koneen, jos akku tyhjenee. Alijännitesuoja sammuttaa koneen automaattisesti, minkä jälkeen akku tulee ladata uudelleen.

Huolto ja kunnossapito

Tärkeää! Poista akku hiomakoneesta aina ennen laitteen säätämistä tai huoltamista.

- Varmista, että moottorin ilma-aukkoihin ei kerry likaa tms.
- Puhdista hiomakone kevyesti kostutetulla liinalla. Käytä tarvittaessa mietoa pesuainetta. Älä käytä liuotusaineita tai syövyttäviä kemikaaleja.
- Akussa tulee olla jännitettä, jos hiomakone on pitkään käyttämättömänä. Lataa akku täyteen säännöllisin väliajoin.

Vianhakutaulukko

| Ongelma | Mahdollinen syy | Toimenpide |
|---------------------------------------|--------------------------------|------------------------------|
| Hiomakone ei käynnisty. | Akku on tyhjä. | Lataa akku. |
| | Akku on ylikuumentunut. | Anna akun jäähtyä. |
| | Hiilet ovat kuluneet. | Ota yhteys asiakaspalveluun. |
| | Virtakytkimessä vikaa. | |
| Hiomakone käy hitaasti ja/tai sammuu. | Hiomapaperi on kulunut. | Vaihda hiomapaperi. |
| | Konetta painetaan liian kovaa. | Paina konetta kevyemmin. |
| | Akku on tyhjä. | Lataa akku. |
| | Akku on ylikuumentunut. | Anna akun jäähtyä. |
| | Moottori on ylikuumentunut. | Anna hiomakoneen jäähtyä. |
| Moottori kipinöi. | Hiilet ovat vialliset. | Ota yhteys asiakaspalveluun. |
| | Käämi oikosulussa. | |
| | Kollektori on likainen. | |

Kierrättäminen

Tämä symboli tarkoittaa, että tuotetta ei saa laittaa kotitalousjätteen sekaan. Ohje koskee koko EU-aluetta. Virheellisestä kierrättämisestä johtuvien mahdollisten ympäristö- ja terveyshaittojen ehkäisemiseksi tuote tulee viedä kierrätettäväksi, jotta materiaali voidaan käsitellä vastuullisella tavalla. Kierrätä tuote käyttämällä paikallisia kierrätysjärjestelmiä tai ota yhteys ostopaikkaan. Ostopaikassa tuote kierrätetään vastuullisella tavalla.



Tekniset tiedot

| | |
|---------------------------------------|--|
| Hiomalevy jossa tarrakiinnitys | 140 × 140 × 80 mm |
| Kierrosluku | 22 000 kierr./min. |
| Akku | 18 V, litium-ion LXC (myydään erikseen) |
| Melu | LpA: 79 dB(A), Epätarkkuus KpA: 3 dB(A) LwA: 90 dB(A), Epätarkkuus KwA: 3 dB(A) |
| Värinäarvo | a _h : 7,121 m/s ² , Epätarkkuus K: 1,5 m/s ² |
| Painot | 0,8 kg (ilman akkua) |

(Akku ja laturi myydään erikseen)

Schleifer

Art.Nr. 40-8639 Modell DSB005

Vor Inbetriebnahme die komplette Bedienungsanleitung durchlesen und aufbewahren. Irrtümer, Abweichungen und Änderungen behalten wir uns vor. Bei technischen Problemen oder anderen Fragen freut sich unser Kundenservice über eine Kontaktaufnahme (Kontakt siehe Seite 2).

Sicherheitshinweise

Allgemeine Sicherheitshinweise für Akkuwerkzeuge

Warnung: Sämtliche Anweisungen lesen. Fehler bei der Einhaltung der nachstehenden Anweisungen können zu Stromschlägen, Brand und/oder schweren Verletzungen führen. Der Begriff „Elektrowerkzeuge“ in den nachfolgenden Warnhinweisen bezieht sich auf netz- oder akkubetriebene Handwerkzeuge.

DIESE ANLEITUNG AUFBEWAHREN.

1) Arbeitsumfeld

- a) **Das Arbeitsumfeld muss sauber und gut beleuchtet sein.** Unordnung und unbeleuchtete Arbeitsbereiche führen leicht zu Unfällen.
- b) **Elektrowerkzeuge niemals in explosionsgefährdeter Umgebung einsetzen, wie zum Beispiel in der Nähe leicht entzündlicher Flüssigkeiten, Gase oder Stäube.** Elektrowerkzeuge erzeugen Funken, die Staub oder Dämpfe entzünden können.
- c) **Kinder und andere Personen während des Gebrauchs von Elektrowerkzeugen fernhalten.** Ablenkung kann zum Kontrollverlust führen.

2) Elektrische Sicherheit

- a) **Der Anschlussstecker des Elektrowerkzeugs muss in die Steckdose passen. Den Stecker niemals in irgendeiner Weise verändern. Niemals einen Adapterstecker gemeinsam mit einem geerdeten Elektrowerkzeug einsetzen.** Unveränderte Stecker und passende Steckdosen verringern das Risiko für Stromschläge.
- b) **Körperkontakt mit geerdeten Gegenständen wie Rohren, Heizungen, Herd oder Kühlschrank vermeiden.** Wenn der Körper geerdet ist, erhöht sich das Risiko für Stromschläge.
- c) **Das Elektrowerkzeug niemals Regen oder Nässe aussetzen.** Das Eindringen von Wasser in ein Elektrowerkzeug erhöht das Risiko für Stromschläge.
- d) **Niemals das Netzkabel zweckentfremden, um das Gerät zu tragen, zu ziehen oder um den Stecker aus der Steckdose zu ziehen. Das Kabel von Hitze, Öl, scharfen Kanten und sich bewegendem Geräteteilen fernhalten.** Beschädigte oder verwickelte Kabel erhöhen das Risiko für Stromschläge.
- e) **Beim Einsatz eines Elektrowerkzeugs im Außenbereich ein geeignetes Verlängerungskabel einsetzen.** Der Einsatz eines Verlängerungskabels für den Außenbereich verringert das Risiko für Stromschläge.

- f) **Falls der Einsatz eines Elektrowerkzeugs in feuchter Umgebung notwendig sein sollte, das Werkzeug über einen Fehlerstromschutzschalter ans Stromnetz anschließen.** Der Einsatz eines Fehlerstromschutzschalters mindert das Risiko für Stromschläge.

3) *Persönliche Sicherheit*

- a) **Während der Tätigkeit aufmerksam sein und beim Einsatz eines Elektrowerkzeugs Vernunft walten lassen. Bei Müdigkeit oder unter dem Einfluss von Drogen, Alkohol oder Medikamenten kein Elektrowerkzeug bedienen.** Ein Moment der Unachtsamkeit beim Einsatz eines Elektrowerkzeugs kann zu ernstesten Verletzungen führen.
- b) **Persönliche Schutzausrüstung tragen. Immer einen Augenschutz tragen.** Das Tragen von Schutzausrüstung wie Atemschutz, trittsicheren Sicherheitsschuhen, Helm und Gehörschutz je nach Art und Einsatz des Elektrowerkzeugs verringert das Risiko von Verletzungen.
- c) **Unbeabsichtigtes Einschalten vermeiden. Der Hauptschalter muss in OFF-Stellung sein, bevor der Stecker in die Steckdose gesteckt wird.** Beim Tragen eines Elektrowerkzeugs einen Finger am Schalter zu halten oder das Gerät eingeschaltet ans Stromnetz anzuschließen, kann zu Unfällen führen.
- d) **Alle Einstellwerkzeuge vor dem Einschalten des Elektrowerkzeugs entfernen.** Ein vergessenes Einstellwerkzeug an einem sich drehenden Geräteteil kann zu Verletzungen führen.
- e) **Nicht zu weit nach vorne strecken. Jederzeit auf einen sicheren Stand und Gleichgewicht achten.** Das ermöglicht in unerwarteten Situationen eine bessere Kontrolle.
- f) **Geeignete Kleidung tragen. Keine weit sitzende Kleidung oder Schmuck tragen. Haare, Kleidung und Handschuhe von sich bewegenden Teilen fernhalten.** Weite Kleidung, Schmuck oder lange Haare können von sich bewegenden Teilen erfasst werden.
- g) **Wenn Staubabsaug- und -auffangeinrichtungen montiert werden können, sicherstellen, dass diese angeschlossen sind und angewendet werden.** Der Einsatz dieser Hilfsmittel verringert Gefährdungen durch Staub.

4) *Bedienung und Wartung von Elektrowerkzeugen*

- a) **Das Gerät nicht überbeanspruchen. Nur das Elektrowerkzeug nutzen, das für die jeweilige Tätigkeit vorgesehen ist.** Mit dem passenden Elektrowerkzeug arbeitet es sich besser und sicherer im angegebenen Leistungsbereich.
- b) **Das Elektrowerkzeug nicht einsetzen, wenn dessen Ein-/Ausschalter defekt ist.** Ein Elektrowerkzeug, das sich nicht mehr ein- oder ausschalten lässt, ist gefährlich und muss repariert werden.
- c) **Vor der Ausführung von Einstellarbeiten, dem Tausch von Zubehörteilen oder dem Ablegen des Elektrowerkzeugs zur Verwahrung den Stecker aus der Steckdose ziehen.** Diese Vorkehrungen verringern das Risiko eines unbeabsichtigten Starts des Gerätes.
- d) **Ein unbenutztes Elektrowerkzeug außerhalb der Reichweite von Kindern aufbewahren. Das Gerät nicht von Personen nutzen lassen, die mit dessen Umgang nicht vertraut sind oder dessen Bedienungsanleitung nicht gelesen haben.** Elektrowerkzeuge sind gefährlich, wenn sie in die Hände von unerfahrenen Personen gelangen.

- e) **Elektrowerkzeuge warten. Kontrollieren, ob bewegliche Geräteteile einwandfrei funktionieren und nicht klemmen, Teile kaputt sind oder etwas anderes eingetroffen ist, wodurch die Funktion des Elektrowerkzeugs beeinträchtigt ist. Sollte etwas beschädigt sein, muss es vor der Benutzung repariert werden.** Viele Unfälle beruhen auf schlecht gewarteten Elektrowerkzeugen.
- f) **Die Schneidwerkzeuge scharf und sauber halten.** Sorgfältig gewartete Schneidwerkzeuge mit scharfen Schneiden laufen leichter und sind einfacher zu führen.
- g) **Das Elektrowerkzeug, Zubehör und Einsatzwerkzeuge usw. entsprechend diesen Anweisungen einsetzen und zwar so, wie es für diesen speziellen Gerätetyp vorgeschrieben ist. Dabei die Arbeitsbedingungen und die auszuführende Tätigkeit berücksichtigen.** Der Gebrauch von Elektrowerkzeugen für andere als die vorgesehenen Anwendungen kann zu gefährlichen Situationen führen.

5) *Bedienung und Service des wiederaufladbaren Elektrowerkzeugs*

- a) **Vor Einsetzen des Akkus sicherstellen, dass das Gerät abgeschaltet ist.** Das Einsetzen eines Akkus in ein eingeschaltetes Elektrowerkzeug kann leicht zu Unfällen führen.
- b) **Den Akku nur mit einem vom Hersteller bestimmten Ladegerät laden.** Ein Ladegerät, das für einen Akkutyp passt, kann eine Brandgefahr ausmachen, wenn es für einen anderen Akkutyp verwendet wird.
- c) **Akkuwerkzeuge nur mit den dafür vorgesehenen Akkus verwenden.** Die Verwendung eines anderen Akkus kann Schäden und Feuergefahr verursachen.
- d) **Wenn der Akku nicht angewendet wird, bei der Aufbewahrung auf ausreichenden Abstand zu Gegenständen wie Klammern, Münzen, Schlüsseln, Nägeln, Schrauben oder anderen kleinen metallischen Gegenständen achten, die einen Kontakt zwischen den Akkupolen herstellen könnten.** Ein Kurzschluss der Akkupole kann Verätzungen oder Brände verursachen.
- e) **Bei unsachgemäßer Behandlung des Akkus kann Säure austreten. Kontakt mit Säure vermeiden. Bei versehentlichem Kontakt mit Säure mit Wasser abspülen. Wenn Säure in die Augen gerät, ist ein Arzt aufzusuchen.** Säure aus Akkus kann zu Reizungen und Verätzungen führen.

6) *Service*

- a) **Reparaturen nur von qualifizierten Servicetechnikern und mit Originalzubehör durchführen lassen.** Dies bewahrt die Sicherheit von Elektrowerkzeugen.

Besondere Sicherheitshinweise für das Schleifgerät

- Bei Schleifarbeiten immer Atemschutz tragen und wenn möglich eine Absaugeinrichtung benutzen.
- Besondere Vorsicht ist geboten beim Schleifen von bleihaltiger Farbe, Holz oder anderen Materialien die giftigen Schleifstaub produzieren können. Sicherstellen, dass auch andere Personen die sich in der Nähe aufhalten einen Atemschutz tragen.
- Beachten, dass Schleifstaub zusammen mit Luft extrem feuergefährlich sein kann.

Besondere Sicherheitshinweise für Akkus/Akkupacks

- a) **Niemals den Akku öffnen oder auf irgendeine Weise beschädigen bzw. auf ihn einwirken.**
- b) **Den Akku nicht kurzschließen. Akkus stets so aufbewahren, dass sie nicht in Kontakt miteinander oder mit anderen stromführenden Gegenständen kommen können.** Den Akku bei Nichtbenutzung von Metallgegenständen, wie Klammern, Münzen, Schlüsseln, Nägeln und Schrauben fernhalten. Diese Gegenstände können Kontakt zwischen den Akkupolen herstellen und diese so kurzschließen, was zu Verbrennungen und Feuer führen kann.
- c) **Den Akku nicht Hitze oder offenem Feuer aussetzen. Den Akku nicht direkter Sonneneinstrahlung aussetzen.**
- d) **Den Akku nicht Stößen und Schlägen aussetzen.**
- e) **Falls der Akku ausläuft, die Flüssigkeit nicht in Kontakt mit Haut oder Augen kommen lassen. Wenn dies trotzdem passiert, die betroffenen Flächen sofort ordentlich mit Wasser abspülen und einen Arzt aufsuchen.**
- f) **Falls Teile des Akkus verschluckt werden, sofort einen Arzt aufsuchen.**
- g) **Den Akku sauber und trocken halten.**
- h) **Den Akku mit einem sauberen, trockenen Tuch abwischen.**
- i) **Der Akku muss vor der Benutzung aufgeladen sein. Stets die Anweisungen in dieser Bedienungsanleitung befolgen und die richtige Lademethode benutzen.**
- j) **Den Akku bei längerer Nichtbenutzung nicht im angeschlossenen Ladegerät aufbewahren.**
- k) **Nach längerer Nichtbenutzung kann es notwendig sein, den Akku einige Male zu laden und zu entladen um die volle Kapazität zu erreichen.**
- l) **Der Akku hat die beste Kapazität, wenn er bei Zimmertemperatur benutzt wird ($20 \pm 5 \text{ }^\circ\text{C}$).**
- m) **Bei der Abgabe des Akkus an die Wertstoffsammlung Akkus mit unterschiedlichen chemischen Zusammensetzungen getrennt von einander halten.**
- n) **Den Akku nur mit dem mitgelieferten Ladegerät laden. Kein anderes Ladegerät als das, welches speziell für diesen Akku vorgesehen ist, benutzen.** Ein Akku-Ladegerät für einen bestimmten Akkutyp kann mit einem anderen Akkutyp für Brandgefahr sorgen.
- o) **Den Akku nur mit einem in dieser Bedienungsanleitung beschriebenem Werkzeug benutzen.**
- p) **Den Akku außer Reichweite von Kindern halten.**
- q) **Alle mitgelieferten Originaldokumente für künftigen Gebrauch aufbewahren.**
- r) **Bei Nichtbenutzung den Akku aus dem Werkzeug nehmen.**
- s) **Bitte das Produkt entsprechend den lokalen Bestimmungen entsorgen.**

Sicherheitshinweise für Akkus und Ladegeräte

- Nie versuchen, den Akku zu öffnen.
- Den Akku nie in direktem Sonnenlicht oder bei Temperaturen über $40 \text{ }^\circ\text{C}$ aufbewahren.
- Den Akku ausschließlich bei Temperaturen zwischen $5\text{--}40 \text{ }^\circ\text{C}$ laden.
- Den Akku niemals Wasser aussetzen.

Vibrationen

- Die Messung des in dieser Bedienungsanleitung angegebenen Schwingungsemissionswert ist mit der standardisierten Messmethode gemäß EN 60745 durchgeführt worden und kann zum Vergleich versch. Elektrowerkzeuge herangezogen werden.
- Die Messmethode ist für eine vorläufige Beurteilung der Schwingungsbelastung geeignet.
- Der angegebene Schwingungsemissionswert gilt wenn das Elektrowerkzeug auf die in der Bedienungsanleitung beschriebenen Weise genutzt wird. Wird das Elektrowerkzeug dagegen zweckentfremdet, mit anderem Zubehör genutzt oder nicht ordentlich gewartet, kann der Schwingungsemissionswert während der Betriebsdauer erheblich steigen.
- Für eine exakte Beurteilung der Schwingungsbelastung sollte auch die Zeit beachtet werden, während der das Elektrowerkzeug vom Stromnetz getrennt ist oder eingeschaltet ist, ohne benutzt zu werden. Dies reduziert die Schwingungsbelastung während der Betriebsdauer deutlich. Sicherheitsmaßnahmen festlegen, um den Anwender vor den Wirkungen der Schwingung während jeglicher Benutzung zu schützen.

Produktmarkierung mit Gebotszeichen



Die komplette Bedienungsanleitung durchlesen.



Immer Gehörschutz benutzen.
Immer Augenschutz benutzen.
Immer Atemschutz benutzen.

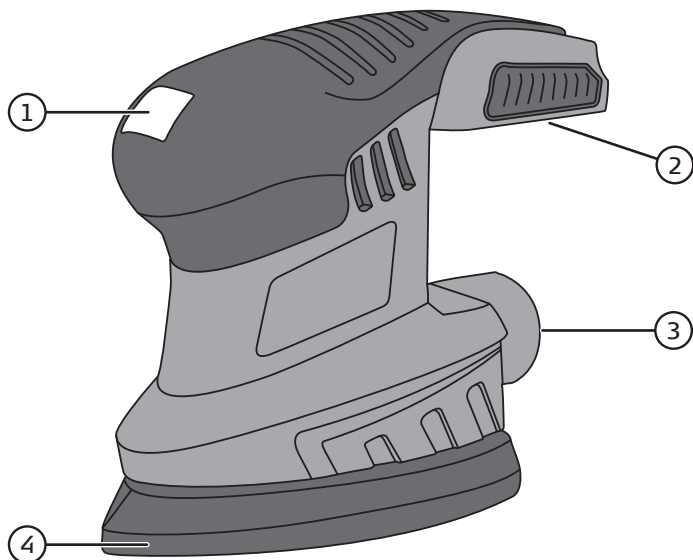


max 50 °C



Den Akku vor Hitze (z. B. direkte Sonneneinstrahlung, offene Flammen), Wasser und Feuchtigkeit schützen. Explosionsgefahr.

Tasten und Funktionen



1. [I]/[0] Stromschalter
2. Akkuanschluss
3. Absauganschluss
4. Schleifplatte

Betrieb

Das Gerät eignet sich für Schleifen und Polieren von Holz, gehärteter Spachtelmasse sowie gemalte/lackierte Oberflächen. Sicherstellen, dass die zu bearbeitende Oberfläche trocken ist.

1. Immer stabil stehen und das Gerät gut festhalten.
2. Zum Starten auf [I] am Stromschalter drücken.
3. Durch Drücken auf [0] am Stromschalter das Gerät abschalten.

Austausch des Schleifpapiers

1. Vor dem Austausch den Akku vom Gerät abnehmen.
2. Das auszutauschende Schleifpapier entfernen und durch ein anderes ersetzen.

Überlastung und Schutz

Das Gerät und der Akku sind mit einer Reihe von Schutzvorrichtungen ausgerüstet.

- Bei kurzzeitiger Überbelastung kann der Überlastungsschutz das Gerät abschalten. Der Überlastungsschutz ist selbstrückstellend. Den Stromschalter am Gerät ausschalten und ein paar Sekunden warten, während das Gerät belastungsfrei ist. Das Gerät sollte nun wieder normal funktionieren.
- Bei längerer Überbelastung kann der Überhitzungsschutz das Gerät abschalten. Der Überhitzungsschutz ist selbstrückstellend, aber das Gerät kann erst wieder gestartet werden, wenn es abgekühlt ist. Das Gerät und den Akku vor erneuter Benutzung abkühlen lassen. Ein gefährliches Temperaturniveau kann auch durch direkte Sonneneinstrahlung verursacht werden. Dies ist zu vermeiden.
- Der Akku hat einen Unterspannungsschutz, welcher aktiviert wird, wenn der Akku leer wird. Der Unterspannungsschutz schaltet dann automatisch das Gerät ab und der Akku muss geladen werden.

Pflege und Wartung

Wichtig: Vor Einstellungsänderung, Service oder Wartung immer den Akku entnehmen.

- Die Belüftungsöffnungen des Motors immer frei von Verschmutzungen halten.
- Das Produkt mit einem leicht befeuchteten Tuch reinigen. Ein sanftes Reinigungsmittel verwenden, keine scharfen Chemikalien oder Reinigungslösungen.
- Bei längerer Nichtbenutzung den Akku nicht leer lagern. Den Akku regelmäßig aufladen.

Fehlersuche

| Problem | Mögliche Ursache | Lösung |
|--|------------------------------|---------------------------------|
| Das Gerät funktioniert nicht. | Der Akku ist leer. | Den Akku aufladen. |
| | Der Akku ist überhitzt. | Den Akku abkühlen lassen. |
| | Verschlossene Kohlenbürsten. | Den Kundenservice kontaktieren. |
| | Fehler am Ein-/Ausschalter. | |
| Das Gerät läuft langsam und/oder schaltet sich ab. | Verbrauchtes Schleifpapier. | Schleifpapier austauschen. |
| | Zu harter Druck. | Weniger Druck benutzen. |
| | Der Akku ist leer. | Den Akku aufladen. |
| | Der Akku ist überhitzt. | Den Akku abkühlen lassen. |
| | Der Motor ist überhitzt. | Das Gerät abkühlen lassen. |
| Funkenbildung im Motor. | Fehler an den Kohlenbürsten. | Den Kundenservice kontaktieren. |
| | Kurzschluss an den Lagern. | |
| | Schmutziger Kollektor. | |

Hinweise zur Entsorgung

Dieses Symbol zeigt an, dass das Produkt nicht gemeinsam mit dem Haushaltsabfall entsorgt werden darf. Dies gilt in der gesamten EU. Um möglichen Schäden für die Umwelt und Gesundheit vorzubeugen, die durch fehlerhafte Abfallentsorgung verursacht werden, soll dieses Produkt auf verantwortliche Weise recycelt werden um die nachhaltige Wiederverwertung von stofflichen Ressourcen zu fördern. Bei der Rückgabe des Produktes bitte die vorhandenen Recycling- und Sammelstationen benutzen oder den Händler kontaktieren. Dieser kann das Produkt auf eine umweltfreundliche Weise recyceln.



Technische Daten

| | |
|--|--|
| Schleifplatte mit Klettverschluss | 140 × 140 × 80 mm |
| Schwingzahl | 22000 /min |
| Batterie | 18 V Lithium-Ionen-Akku LXC (separat erhältlich) |
| Geräuschpegel | LpA: 79 dB(A), Unsicherheit KpA: 3 dB(A) LwA: 90 dB(A), Unsicherheit KwA: 3 dB(A) |
| Schwingungsemissionswert | a_{H1} : 7,121 m/s ² , Unsicherheit K: 1,5 m/s ² |
| Gewicht | 0,8 kg (ohne Akku) |

(Akku und Ladegerät separat erhältlich)

Declaration of Conformity

Försäkran om överrenstämmeelse

Samsvarerklæring

Vakuutus yhdenmukaisuudesta

Konformitâtskennzeichnung



CLAS OHLSON AB

SE-793 85 INSJÖN, SWEDEN

Declares that this product complies with the requirements of the following directives and standards

Intygar att denna produkt överensstämmer med kraven i följande direktiv och standarder

Bekrefter at dette produktet er i samsvar med følgende direktiver og standarder

Vakuuttaa, että tämä tuote täyttää seuraavien direktiivien ja standardien vaatimukset

Erklärt hiermit, dass dieses Produkt die Anforderungen und Bestimmungen folgender Richtlinien erfüllt

SANDER

Cocraft 40-8639

DSB005

**Machinery Directive
2006/42/EC**

EN 60745-1:2009
+A11:2010
EN 60745-2-4:2009
+A11:2011

**EMC Directive
2004/108/EC**

EN 55014-1:2006
+A1:2009 +A2:2011
EN 55014-2:1997
+A1:2001 +A2:2008

Henrik Alfredsson
Manager Technique & Quality

Insjön, Sweden, 2016-02-03

Cocraft®

LXC

LITHIUM XROSS CONNECT



18V LITHIUM SERIES