

40-9909

# Cocraft®

PRO EDITION

HIGH-PRESSURE WASHER 2300 W

## PRO HR150-I

HÖGTRYCKSTVÄTT  
PAINEPESURI

HØYTRYKKSVASKER  
HOCHDRUCKREINIGER



Art.no  
44-9909

Model  
150C EPW



### Important!

Read the entire instruction manual carefully and make sure that you fully understand it before you use the equipment. Keep the manual for future reference.

### Viktig informasjon:

Läs hela bruksanvisningen noggrant och försäkra dig om att du har förstått den innan du använder utrustningen. Spara bruksanvisningen för framtida bruk.

### Viktig informasjon:

Les disse anvisningene nøye og forsikre deg om at du forstår dem, før du tar produktet i bruk. Ta vare på anvisningene for seinere bruk.

### Tärkeää tietoa:

Lue nämä ohjeet huolellisesti ja varmista että olet ymmärtänyt ne, ennen kuin alat käyttää laitetta. Säilytä ohjeet myöhempää tarvetta varten.

### Wichtiger Hinweis:

Vor Inbetriebnahme die komplette Bedienungsanleitung sorgfältig durchlesen und aufbewahren.

Ver. 20160329

Original instructions  
Bruksanvisning i original  
Originalbruksanvisning  
Alkuperäinen käyttöohje  
Original Bedienungsanleitung

ENGLISH

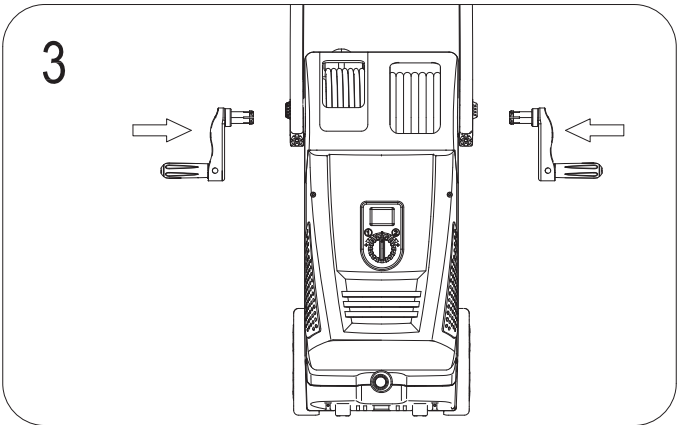
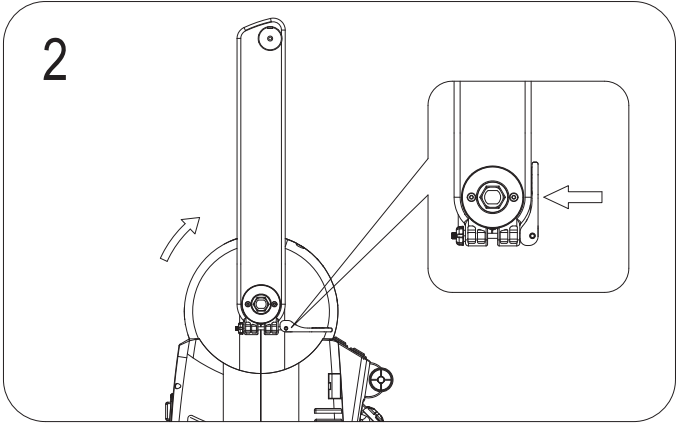
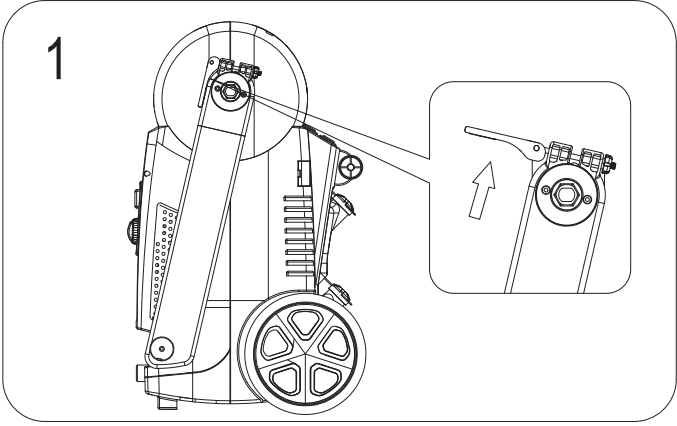
SVENSKA

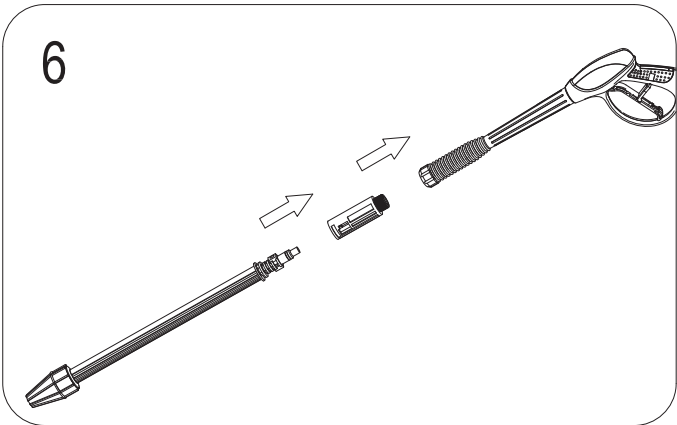
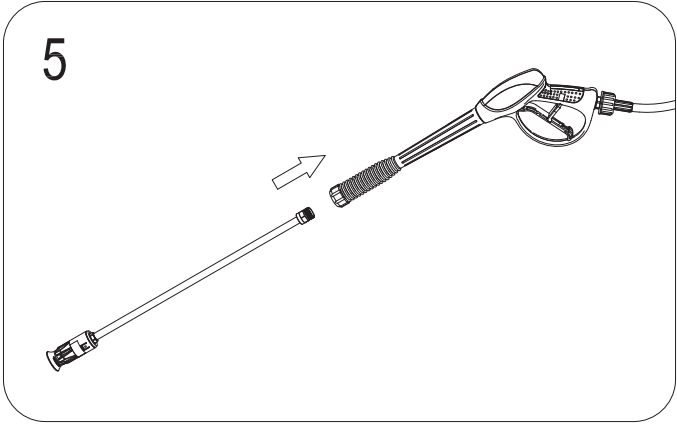
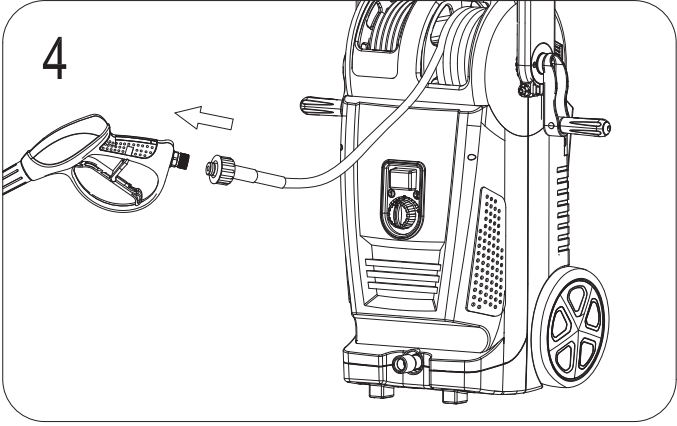
NORSK

SUOMI

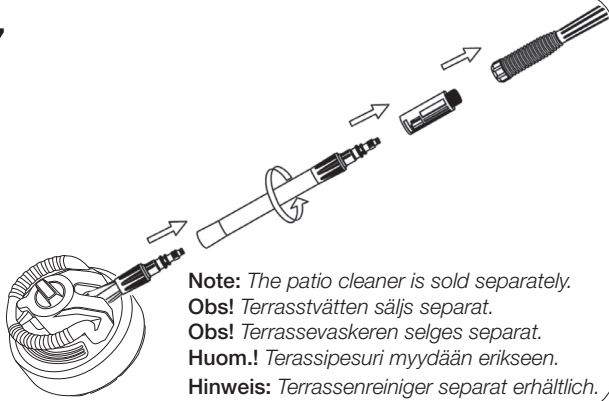
DEUTSCH



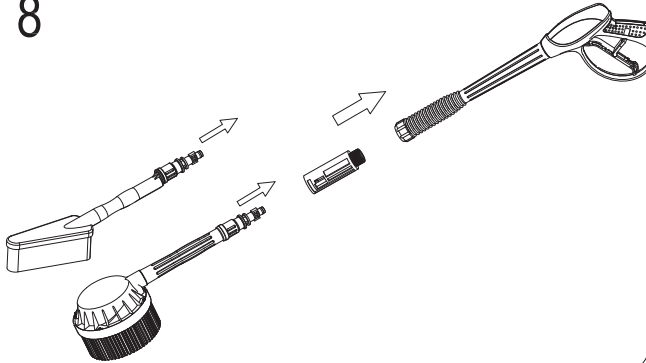




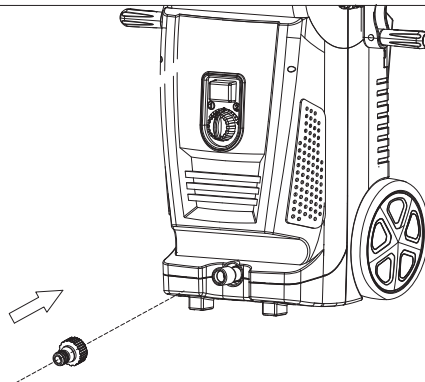
7

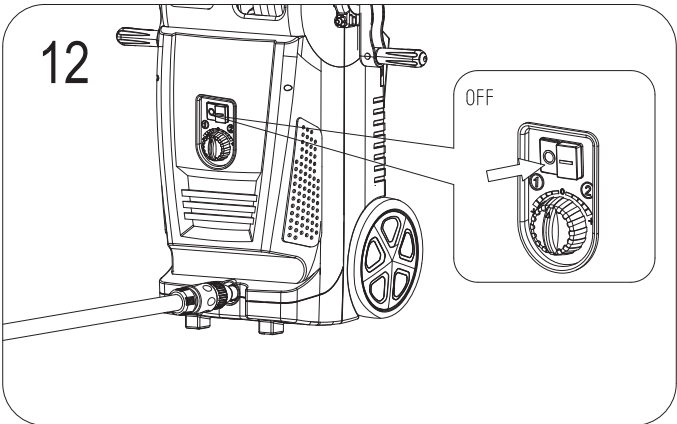
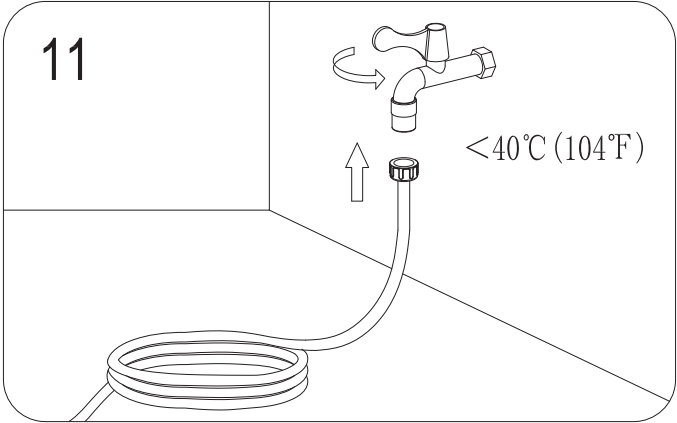
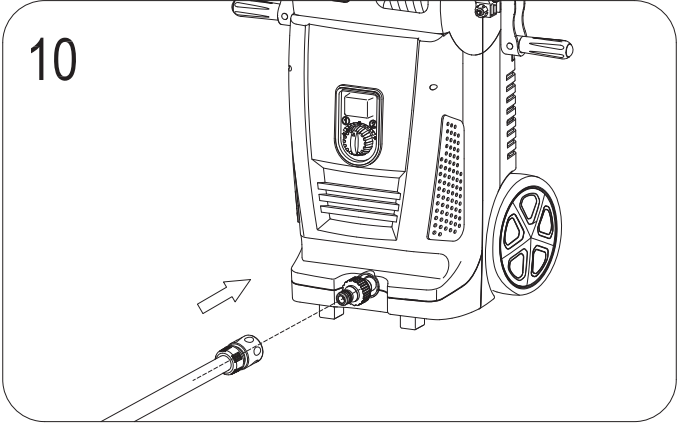


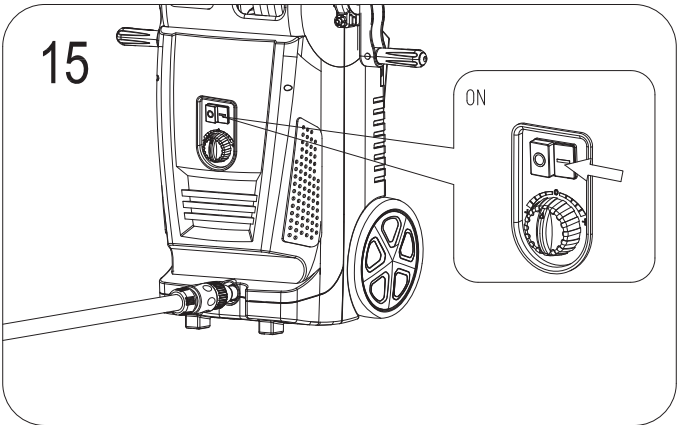
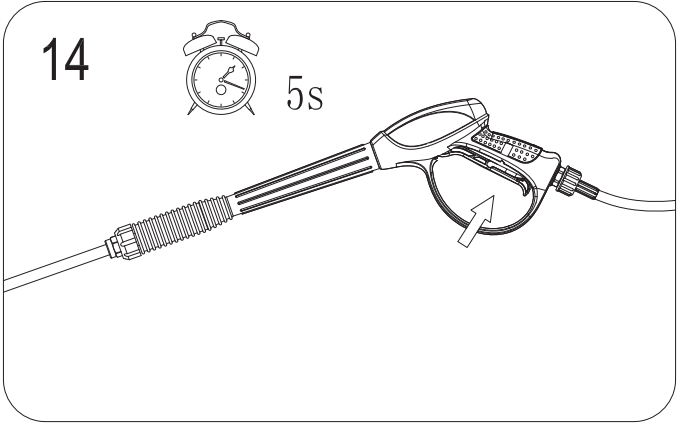
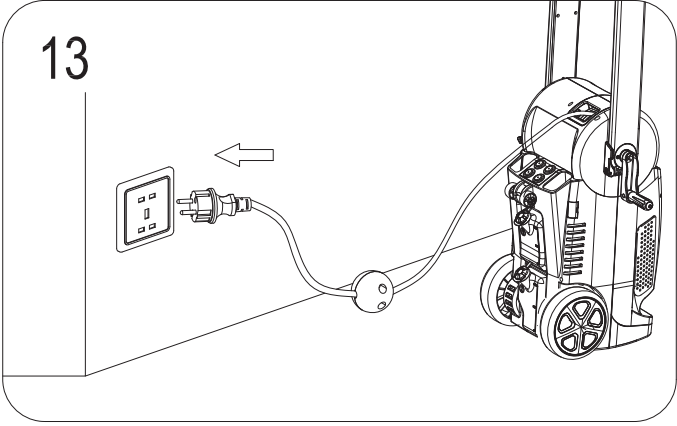
8



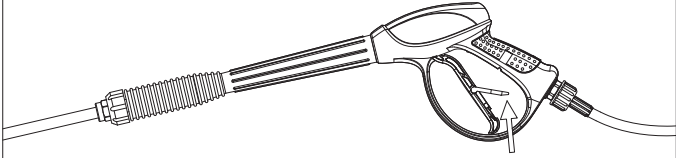
9



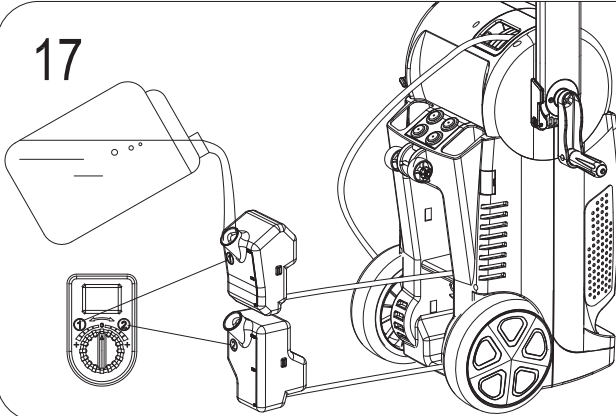




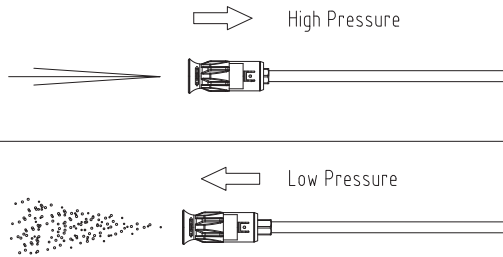
16



17

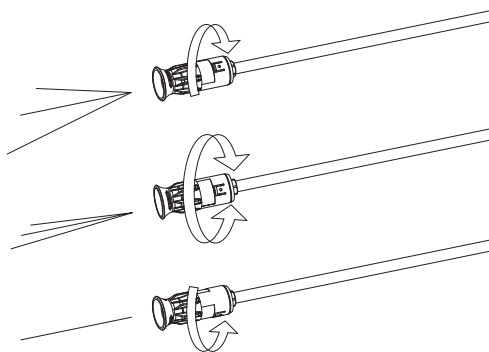


18

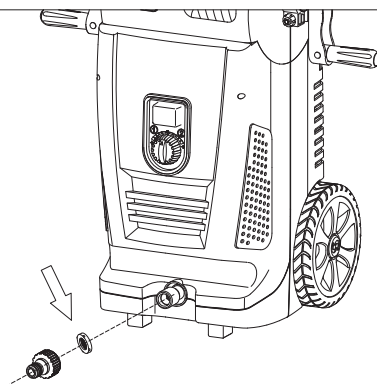




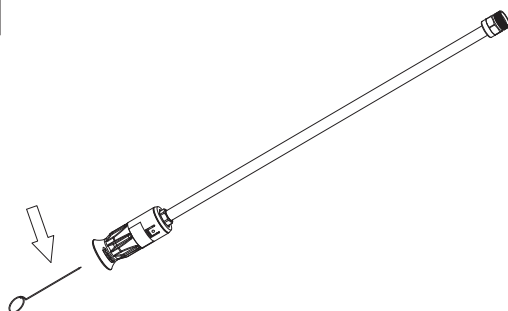
19



20



21



# Pressure Washer

Art.no 40-9909      Model 150C EPW

Please read the entire instruction manual before using the product and then save it for future reference. We reserve the right for any errors in text or images and any necessary changes made to technical data. If you have any questions concerning technical problems please contact our Customer Services.

## Contents

<b>Safety</b> .....	<b>11</b>
General safety instructions .....	11
Specific safety instructions .....	13
Key to warning symbols .....	15
<b>Areas of use</b> .....	<b>15</b>
<b>Description</b> .....	<b>16</b>
<b>Assembly instructions</b> .....	<b>17</b>
<b>Operating instructions</b> .....	<b>18</b>
Useful tips .....	20
<b>Care and maintenance</b> .....	<b>21</b>
Storage .....	21
<b>Troubleshooting</b> .....	<b>21</b>
<b>Responsible disposal</b> .....	<b>22</b>
<b>Technical specifications</b> .....	<b>23</b>

# Safety

## General safety instructions

- Do not use the pressure washer before reading the entire instruction manual.
- Never aim the water jet at yourself or any other person. Risk of personal injury, water spray from pressure washers can penetrate the skin.
- The wall socket that the pressure washer is connected to must have been installed by a competent electrician in accordance with IEC 60364-1 standards.
- The pressure washer should be connected to the mains via an RCD (tripping at max 30 mA within max 30 ms).
- **Warning:** Use only detergent designed for pressure washers. Other detergents and chemicals can damage the washer or result in personal injury.
- Never use the pressure washer if there are bystanders in the vicinity, unless they are wearing protective clothing and safety glasses.
- Pressure washers can be dangerous if used in an improper way. Never point the water jet at people, animals, the pressure washer itself or any other electrical equipment.
- Always pull the plug out of the wall socket before servicing and adjusting the machine.
- The pressure washer may not be used by minors or persons without the prerequisite knowledge of the machine.
- Use only original parts for repairs and for your own safety.
- **Warning:** High pressure hoses, adaptors and accessories are important safety features. Use only accessories or exchangeable parts which are recommended by the manufacturer.
- Never use the washer if the mains lead or any other important component is damaged: Safety features, high-pressure hose, lance or trigger gun.

- If an extension lead is used it, the plug and socket must be of a watertight construction and designed for outdoor use.
- **Warning:** Use of incorrect extension leads can be dangerous.
- Be very attentive to minimise the risk of accidents if the pressure washer is to be used around children.
- Learn how the pressure washer works so that you can quickly stop it and depressurise it.
- Be alert, think about your actions.
- Never use the pressure washer if you are tired or under the influence of drugs, alcohol or medication.
- Keep the work area free of bystanders and pets.
- Do not overreach or stand on unsteady surfaces. Always adopt a balanced stance with both feet planted firmly on the ground.
- Follow all instructions for service and maintenance as described in the instruction manual.
- Always use protective clothing and safety goggles or a visor. Stones and other small objects may be propelled at high speed by the water jet. Use hearing protection.
- **Warning:** The pressure washer should not be connected to sources of drinking water. If you are forced to use a drinking water supply, the pressure washer must be equipped with a non-return valve and hose meeting IEC 61770 standards.
- The product must not be used by persons (including children) with any form of reduced physical, sensory or mental capacity, lack of experience and knowledge under the provision that they are supervised or that sufficient instruction has been provided to them by a person willing to take responsibility for their safety.
- Children should be kept under close supervision. The pressure washer is not a toy.

- Damaged mains leads and switches should always be replaced by a qualified tradesman in order to avoid the risk of damage or possible injury.
- Water that has passed through the non-return valve should not be used as a source of drinking water.

### **Specific safety instructions**

Keep this instruction manual, so that it is ready for use and can be used when loaning out the machine.

- Always make sure that the pressure washer is turned off and cannot be started accidentally.
- The pressure washer should never be rebuilt or modified in any way. Parts not approved by the manufacturer should never be used.
- Only use hoses and connections that are recommended by the manufacturer.
- The pressure washer should never be carried by the mains lead or its pressure hose. Never keep your hand on the power switch while moving the pressure washer.
- The pressure washer should be unplugged when it is not in use, is left unattended or is moved. Unplug the pressure washer when inspecting, cleaning or changing accessories, or when any used extension leads or similar are damaged. Unplug the pressure washer should it begin to excessively vibrate.
- Never try to repair the pressure washer or any of its accessories by yourself. All repairs must only be carried out by qualified service technicians.
- Never operate the pressure washer near any flammable liquids or gas. Doing so can lead to possible fire or explosion.
- Do not use the pressure washer if its high-pressure hose, mains lead, switch or any other component is damaged.

- If an extension lead is used it, the plug and socket must be of a watertight construction and designed for outdoor use. Using a non-compliant extension lead poses a serious danger.
- The user is ultimately responsible for any accidents or injuries caused to others or their property.
- Store the pressure washer in a dry location out of children's reach.
- Use care when handling the pressure washer or any of its accessories. Keep all components clean, effective and safe for use.
- Make sure that the power supply used is rated at 230 V AC at the power point.
- Always check that the pressure washer, mains lead and plug are undamaged before use in order to avoid the possibility of electric shock.
- Damaged leads, adaptors and plugs should not be replaced with parts that do not meet the proper standard safety requirements. Always unplug the pressure washer if its mains lead is damaged in any way.
- Do not use the pressure washer if its switch is damaged. Such a situation requires that the lead be changed immediately by a qualified electrician.
- Never overload the pressure washer. Never use the pressure washer for any other purposes than that for which it was intended.

## Key to warning symbols

### Important!

The pressure washer is labelled with symbols containing important information or instructions for the safe use of the pressure washer.



Read through the entire instruction manual before use, taking into special consideration all warning symbols and labels.



### Warning:

This warning symbol is used throughout the instruction manual whenever there is a risk for personal injury. Ensure that you read this section and understand what all the warnings mean.



Always use ear defenders and safety goggles or a visor.



Always unplug the pressure washer if its mains lead is damaged in any way. Always unplug the pressure washer if it is left unattended, even for the shortest of moments.



**Warning:** Pressure washers can be dangerous if used in an improper way. Never point the water jet at people, animals, the pressure washer itself or any other electrical equipment.



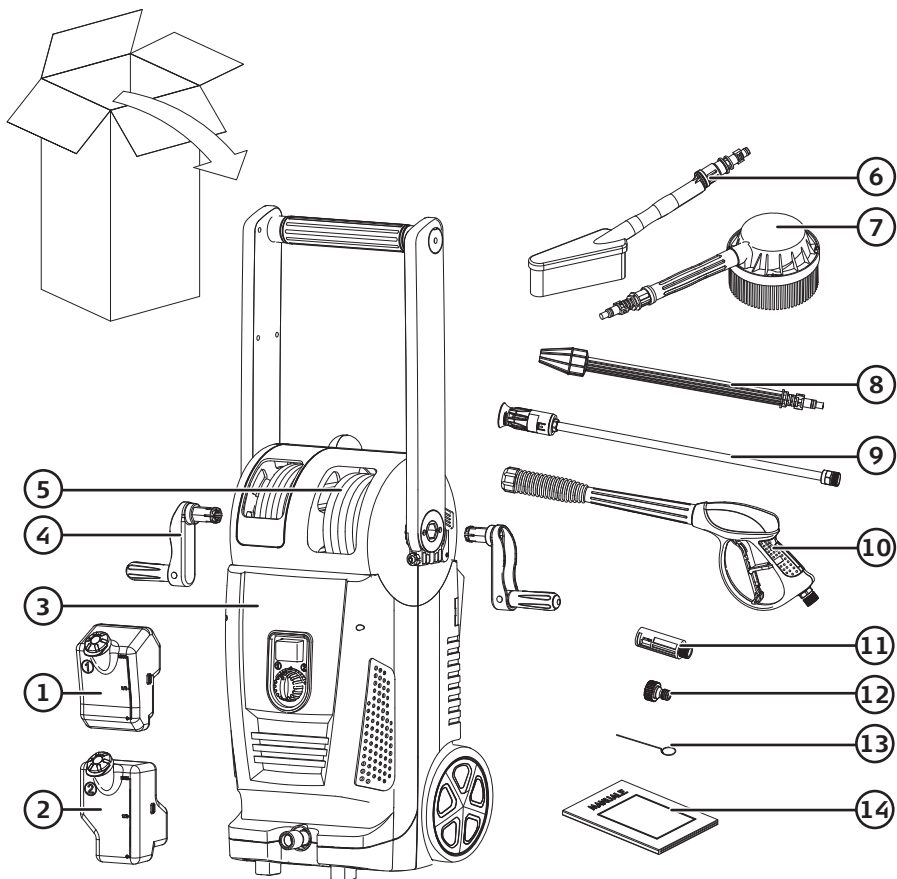
The pressure washer should not be connected to sources of drinking water. If you are forced to use a drinking water supply, the pressure washer must be equipped with a non-return valve and hose meeting IEC 61770 standards.

## Areas of use

- The pressure washer is designed to clean walls, terraces, cars, lawnmowers, bicycles, etc. When necessary, the pressure washer may be used with specialised detergents.
- The pressure washer is designed to be used outdoors for cleaning masonry, wood, metal and plastic materials.
- This pressure washer is only intended for private, non-commercial use.
- The pressure washer must not be used in any other manner than that described in this instruction manual.

**Warning:** Read carefully through the instruction manual before using the pressure washer, being extra attentive to any warning texts and symbols. This pressure washer has many functions that will make any of your jobs quicker and easier. Safety, efficiency and quality have played an important role in the development of this pressure washer, which also make it easy to use and require minimal maintenance.

## Description



- |                          |  |
|--------------------------|--|
| 1. Detergent container 1 | 8. Turbo lance                           |
| 2. Detergent container 2 | 9. Standard lance with adjustable nozzle |
| 3. Pressure washer       | 10. Trigger gun with lock nut (10-B)     |
| 4. Crank handle (× 2)    | 11. Lance adaptor                        |
| 5. Pressure hose         | 12. Water supply inlet connector         |
| 6. Brush                 | 13. Cleaning needle                      |
| 7. Rotary brush          | 14. Instruction manual                   |

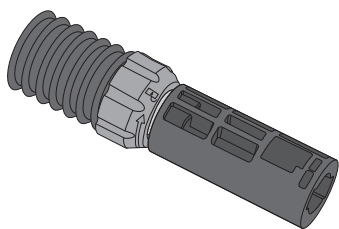


## Assembly instructions

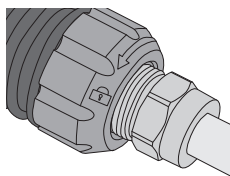
Check that all the parts are intact and that nothing is missing.

**Warning:** Turn off the pressure washer and pull the plug from the wall socket when servicing and adjusting the machine. Make sure that the pressure washer is NOT plugged in before beginning to assemble it.

1. Extending the handle (fig. 1). Open the cam latch and swing the handle up to the extended position.
2. Locking the handle (fig. 2). Set the handle to the desired angle and lock it in place using the cam latch.
3. Attaching the crank handles (fig 3). Push the ends of the handles into the sockets.
4. Screw the pressure hose securely onto the trigger gun (fig. 4).
5. Attaching the standard lance to the trigger gun (fig. 5).



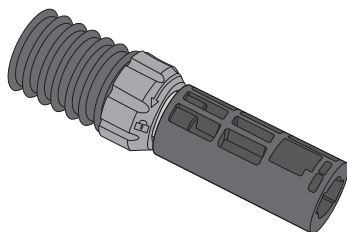
Remove the lance adaptor (11) from the trigger gun (if it is fitted). Turn the lock nut (10-B) clockwise (the arrow pointing towards the open padlock symbol).



Hold the end of the standard lance against the end of the trigger gun and turn the lock nut anticlockwise (arrow pointing towards the closed padlock symbol) to lock the lance into place.

6. Attaching the turbo lance or other accessory to the trigger gun (fig. 6).

1. Remove the standard lance (9) from the trigger gun (if it is fitted). Turn the lock nut clockwise (the arrow pointing towards the open padlock symbol).
2. Fit the lance adaptor (11) onto the trigger gun and lock it in place with the lock nut (10-B) (the arrow pointing towards the closed padlock symbol).
3. Insert the accessory into the bayonet coupling of the lance adaptor and turn it a  $\frac{1}{4}$  turn clockwise until it locks into place. Do this before beginning to use the pressure washer.



**Warning:** Make sure that the chosen accessory is attached securely to the trigger gun to avoid the risk of it being forcefully ejected by the high pressure jet once the machine is started.

7. Attaching the patio cleaner (fig. 7). **Note:** The patio cleaner attachment is sold separately.
  - The lance adaptor (11) must be fitted to the trigger gun.
  - Insert the accessory into the bayonet coupling of the lance adaptor and turn it a ¼ turn clockwise until it locks into place. Do this before beginning to use the pressure washer. The patio cleaner is used together with a lance extension.
  - **Warning:** Make sure that the chosen accessory is attached securely to the trigger gun to avoid the risk of it being forcefully ejected by the high pressure jet once the machine is started.
8. Attaching accessories (brushes) (fig. 8).
  - The lance adaptor (11) must be fitted to the trigger gun.
  - Insert the accessory into the bayonet coupling of the lance adaptor and turn it a ¼ turn clockwise until it locks into place. Do this before beginning to use the pressure washer.
  - **Warning:** Make sure that the chosen accessory is attached securely to the trigger gun to avoid the risk of it being forcefully ejected by the high pressure jet once the machine is started.
9. Attaching the water supply inlet connector (fig. 9). Screw on the adaptor securely. Do not screw it on too tightly, hand-tighten only.
10. Connecting the water supply hose (fig. 10). Fit a quick-release connector (sold separately) onto a garden hose (sold separately) and connect it to the water supply inlet connector.
11. Connecting the hose to a tap (fig. 11).
  - Connect the garden hose (sold separately) to a water tap.
  - **Warning:** The water supply temperature must not exceed 40 °C. Run the hose for a moment, especially if the hose been lying in the sun and has become warm. The pressure washer must always be operated in an upright/vertical position, never in the prone/horizontal position.
12. Press down the **0**-side of the power switch (fig. 12). The pressure washer should be switched off.
13. Plug the mains lead into an electrical socket (fig. 13).
14. Let the water pass through the lance (fig. 14). Pull the trigger until all the air is expelled and water begins to flow.

## Operating instructions

15. Starting the pressure washer (fig. 15).
  - Unwind a sufficient length of the high-pressure hose.
  - Push the green side of the power switch to switch the pressure washer on. Point the lance towards a safe area.

- If the water supply comes from a tank or similar non-pressurised source, both the pump and water supply hose must first be filled with water before the pump is started. The water source tank must be positioned at a higher level than the pressure washer. A water filter must first be installed onto the supply side of inlet if the water source is in any way impure or contaminated.

Switching the pressure washer off

- Push the red side of the power switch to switch the pressure washer off.
- Turn off the water tap.
- Minimise the pressure in the pump and hose by pulling the trigger for a few seconds or as long as it takes for all the water to run out of the nozzle.
- Unplug the pressure washer from the electrical socket.
- Flip the safety lock backwards to ensure that the trigger is locked.
- Wind in the high-pressure hose and mains lead.

**Warning:** Risk of mechanical damage. The high pressure washer should never be run dry (without water) as this may damage the pump. Always fit a filter onto the inlet side of the pressure washer if the source water contains any impurities, otherwise the pump may be damaged.

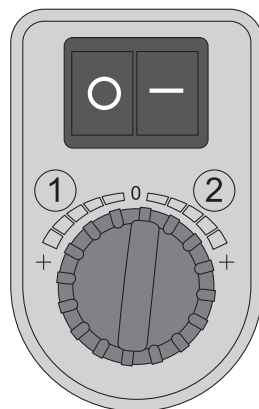
16. The trigger gun has a safety lock behind the trigger to prevent the trigger from being pulled accidentally (fig. 16). Extend the safety lock behind the trigger to lock it, fold it up parallel with the trigger to enable the trigger to be pulled.

17. Using detergent (fig. 17).

- Flip the safety lock backwards to ensure that the trigger is locked. Remove the filler caps from the detergent containers.
- The detergent containers can either be filled whilst they are fitted to the pressure washer or first removed. When removing the detergent containers, be careful not to pull them out so far that the detergent feed lines become disconnected. Refit the filler caps securely.
- Refit the detergent containers (if they have been removed).

Select the detergent container, 1 or 2, and the feed rate using the knob under the power switch.

- Setting: fully anticlockwise = Max feed rate from detergent container 1.
- Setting: fully clockwise = Max feed rate from detergent container 2.
- Selector knob straight up (0) = No detergent feed.



18. If you want to use detergent the lance must be set to low pressure (fig. 18).

**Note:** Detergent is only fed into the lance when the lance is set to low pressure.

- Detergent: Set the lance to low pressure by pulling the nozzle outwards (only applies to the standard lance).
- No detergent: Set the lance to high pressure by pushing the nozzle inwards (only applies to the standard lance).

19. Adjusting the spray pattern (only applies to the standard lance) (fig. 19).

- Aim the lance at the surface to be washed, switch the pressure washer on and pull the trigger.
- Adjust the width of the spray by twisting the nozzle clockwise or anticlockwise.

20. Checking/cleaning the water inlet filter (fig. 20).

- The water inlet is already equipped with a filter from the manufacturer to remove dirt, sediment and other contaminants which might otherwise damage the pressure washer.
- Unscrew the water inlet connector and use tap water to rinse out the filter from the back.

21. Cleaning the spray nozzle (fig. 21).

- A cleaning needle is supplied for cleaning the spray nozzle if required.
- The cleaning needle is located stuck in a rubber washer above the detergent containers.

## Useful tips

**Note:** The recommended distance between the nozzle and the surface to be cleaned is approximately 30 cm. Shorter distances will result in higher pressures and may damage the surface being cleaned. Longer distances will be more gentle on the surface being cleaned.

- Do not lay the power lead on roads, cycle paths or where it may be damaged.  
**Warning:** Never use a garden hose shorter than 6 metres (1/2" hose). The hose buffers possible pressure surges in the water lines which protects the pressure washer and allows it work smoothly.  
**Warning:** Water jetting out from the lance will cause it to recoil, so it is important to hold the lance firmly with both hands while standing steady and well balanced.
- Never point the resulting water jet at people, animals, towards the pressure washer itself or any other electrical equipment.
- Use protective glasses since water and particles can spray back towards you when spraying against an object.  
**Warning:** Turn off the pressure washer and pull the plug when taking breaks. Do not leave the machine on while unattended.

## Care and maintenance

**Warning:** Turn off the pressure washer and pull the plug from the wall socket when servicing and adjusting the machine.

- Regular cleaning of the inlet filter and the nozzle are important for the proper operation of the pressure washer. The inlet filter should be removed and cleaned regularly to prevent sediments in the water from damaging the pump and seals.
- Make sure the nozzle is open, carefully remove debris and build-up and rinse with clean water.
- Protect the washer against frost, empty it completely\* and remove the pressure hose. Place the pressure washer in dry storage for the winter. **Note:** The guarantee is not valid if the machine is frost damaged.

\* Start the pump with the trigger pressed or with the pressure hose removed and let the pump run for 30 seconds to completely empty the pump.

## Storage

- Store the pressure washer in a dry area out of the reach of children and others who do not have the prerequisite knowledge to operate the machine. Disassemble the pressure hose and lance and store them with the pressure washer. Avoid storing the pressure washer in temperatures below 5 °C or above 40 °C. **Note:** Protect the washer against frost. Make sure that it is completely emptied before storing.  
**Warning:** Never run the pressure washer dry, doing so may damage the pump seals.
- Remember that the pressure washer may still be under pressure even when turned off! Depressurise it by pressing the trigger before disconnecting the hoses. Removing the pressure hose while pressurised can be dangerous.
- New nozzles for the pressure washer can be purchased from the supplier.  
**Warning:** Never look into the nozzle when it is attached to the washer.

## Troubleshooting

### The machine does not start

- Is the plug is connected, is there power at the socket, has the fuse/RCD blown/tripped?
- The pressure washer is under pressure. Press the trigger.
- Problem with the plug/electrical socket.
- Problem with the extension lead. Try another lead.
- Incorrect voltage. Check voltage.
- The power switch is in the **0** position. Press in the green button.

### The pump has insufficient pressure

- Clogged/worn nozzle. Clean or change.
- Insufficient water supply. Check: A 10-litre container should be able to be filled within a minute.
- There can be a kink in the hose. Make sure it is straight.
- The inlet filter might be clogged. Make sure that it is clean.
- The water hose is clogged or is leaking. Check.

### Leaking pump

- The hose coupling is not tight.

### The pump stops

- The RCD/fuse has tripped. Check.
- The extension lead is too long. Try it without an extension lead.
- Overheating due to an insufficient water supply. The inlet filter may be clogged. Test the water flow: A 10-litre container should be able to be filled within a minute.

### No water comes out of the nozzle or there is an insufficient amount of water

- The pump is not drawing in water. Pull the trigger to release any trapped air and make sure that the inlet hose is filled with water. The pressure washer must always be operated in an upright/vertical position, never in the prone/horizontal position.
- Clogged nozzle. Clean.
- The inlet or outlet valve is damaged. Change it.

### The trigger cannot be depressed

- The trigger safety lock is engaged, push it down to disengage it.

## Responsible disposal

This symbol indicates that this product should not be disposed of with general household waste. This applies throughout the entire EU. In order to prevent any harm to the environment or health hazards caused by incorrect waste disposal, the product must be handed in for recycling so that the material can be disposed of in a responsible manner. When recycling your product, take it to your local collection facility or contact the place of purchase. They will ensure that the product is disposed of in an environmentally sound manner.



## Technical specifications

Rated voltage	230 V AC, 50 Hz
Input power	2300 W
Max water supply pressure	6 bar (0.6 MPa)
Operating pressure	100 bar (10 MPa)
Max allowed pressure	150 bar (15 MPa)
Water consumption	6.7 l/min
Max consumption	7.7 l/min
Hose	8 m
Max water temperature	40 °C
Weight	23 kg
IP rating	IPX5
Sound pressure level (LpA)	80 dB(A), KpA: 3 dB
Sound power (LWAd)	90 dB(A)
Vibration level	2.5 m/s <sup>2</sup> , K=1,5 m/s <sup>2</sup>
Recoil force	< 20 N

# Högtryckstvätt

Art.nr 40-9909 Modell 150C EPW

Läs igenom hela bruksanvisningen före användning och spara den sedan för framtida bruk. Vi reserverar oss för ev. text- och bildfel samt ändringar av tekniska data. Vid tekniska problem eller andra frågor, kontakta vår kundtjänst.

## Innehållsförteckning

<b>Säkerhet</b> .....	<b>25</b>
Generella säkerhetsanvisningar .....	25
Särskilda säkerhetsanvisningar .....	27
Förklaring av varningsmärkning på maskinen .....	28
<b>Användningsområde</b> .....	<b>29</b>
<b>Beskrivning</b> .....	<b>30</b>
<b>Montering</b> .....	<b>31</b>
<b>Användning</b> .....	<b>32</b>
Användningstips.....	34
<b>Skötsel och underhåll</b> .....	<b>35</b>
Förvaring.....	35
<b>Felsökning</b> .....	<b>35</b>
<b>Avfallshantering</b> .....	<b>36</b>
<b>Teknisk specifikation</b> .....	<b>37</b>



# Säkerhet

## Generella säkerhetsanvisningar

- Använd inte högtryckstvätten innan du har läst hela bruksanvisningen.
- Rikta aldrig vattenstrålen mot dig själv eller någon annan person. Risk för personskada, vattenstrålen kan tränga genom huden.
- Eluttaget som högtryckstvätten ansluts till ska vara installerat av behörig elinstallatör enligt normen IEC 60364-1.
- Högtryckstvätten ska anslutas till elnätet via en jordfelsbrytare (utlösningström max 30 mA inom max 30 ms).
- **Varning:** Använd endast rengöringsmedel avsett för högtryckstvätt, andra rengöringsmedel och kemikalier kan skada högtryckstvätten eller orsaka personskada.
- Använd inte högtryckstvätten om personer befinner sig i närheten utan skyddskläder och skyddsglasögon.
- Högtryckstvättar kan vara farliga, om de används på fel sätt. Rikta aldrig vattenstrålen mot människor eller djur, mot högtryckstvätten eller annan elektrisk utrustning.
- Dra alltid ut nätsladdens stickpropp ur eluttaget innan service och justering av maskinen.
- Högtryckstvätten får inte användas av minderåriga eller personer som inte har kännedom om maskinen.
- Använd endast originaldelar vid reparation för din egen säkerhet.
- **Varning:** Högtrycksslangar, kopplingar och tillbehör är viktiga säkerhetsdetaljer, använd därför endast tillbehör eller utbytesdetaljer som rekommenderas av tillverkaren.
- Använd inte högtryckstvätten om anslutningskabeln eller någon annan viktig detalj är skadad: Säkerhetsanordning, högtrycksslang, lans, pistolhandtag etc.
- Om skarvsladd används måste den vara försedd med vattentät stickpropp och vattentätt skarvuttag och avsedd för utomhusbruk.

- **Varning:** Felaktiga skarvkablar kan vara farliga.
- Var mycket uppmärksam för att minska olycksrisken om högtryckstvätten används i närheten av barn.
- Lär dig hur högtryckstvätten fungerar så att du snabbt kan stoppa den och göra den trycklös.
- Var uppmärksam, tänk på vad du gör.
- Använd inte högtryckstvätten om du är trött eller påverkad av alkohol, droger eller läkemedel.
- Håll arbetsområdet fritt från åskådare och husdjur.
- Sträck dig inte för långt eller stå inte på något underlag som inte är stadigt. Stå alltid med båda fötterna på marken och med god balans.
- Följ alla instruktioner för service och underhåll som beskrivs i bruksanvisningen.
- Använd alltid skyddskläder och skyddsglasögon eller visir. Stenar och andra mindre föremål kan kastas i väg av vattenstrålen, använd hörselskydd.
- **Varning:** Högtryckstvätten får inte anslutas till en källa för dricksvatten eller liknande. Om du trots allt tar vatten från en dricksvattentäkt måste backventil och slang uppfylla normen IEC 61770.
- Produkten får inte användas av personer (inklusive barn) med någon form av funktionsnedsättning, brist på erfarenhet eller kunskap, såvida det inte sker under uppsikt eller efter instruktion om användning av produkten av en person som ansvarar för dess säkerhet.
- Barn ska hållas under uppsikt, högtryckstvätten är ingen leksak.
- Skadad nätsladd och strömbrytare ska alltid bytas ut av fackman för att undvika risk för skada.
- Vatten som passerat backventilerna i högtryckstvätten ska inte användas som dricksvatten.

## Särskilda säkerhetsanvisningar

Spara denna bruksanvisning, så att den finns kvar och kan följa med produkten vid utlåning.

- Se alltid till att en avstängd högtryckstvätt inte kan startas oavsiktligt.
- Högtryckstvätten får inte byggas om eller modifieras på något sätt, delar som inte är godkända av tillverkaren får inte heller användas.
- Använd endast slangar och anslutningar som rekommenderas av tillverkaren.
- Högtryckstvätten får inte bäras i anslutningskabeln eller i slangen. Håll inte handen på strömbrytaren när högtryckstvätten flyttas och stickproppen är ansluten till ett eluttag.
- Dra ut stickproppen ur eluttaget när högtryckstvätten inte används, lämnas utan tillsyn eller förflyttas. Stickproppen ska även dras ur innan kontroll, rengöring och byte av tillbehör och även om skarvsladden eller anslutningskabeln är skadade på något sätt. Om högtryckstvätten börjar vibrera mycket ska stickproppen dras ur eluttaget.
- Försök inte att själv reparera högtryckstvätten eller tillhörande tillbehör. Alla reparationer måste utföras av kvalificerad personal.
- Använd inte högtryckstvätten i närheten av brandfarlig vätska eller gas. Det kan leda till brand eller explosion.
- Använd inte högtryckstvätten om högtrycksslangen, anslutningskabeln, strömbrytaren eller något annat är skadat.
- Om skarvsladd används måste den vara försedd med vattentät stickpropp och vattentätt skarvuttag och vara avsedd för utomhusbruk. Användning av felaktig skarvsladd kan vara farligt.
- Användaren är ansvarig för olyckor eller skador som händer andra människor eller deras egendom.
- Förvara högtryckstvätten i ett torrt utrymme utom räckhåll för barn.

- Behandla högtrycksvätten och dess tillbehör varsamt. Håll alla delar rena för säker och effektiv användning.
- Kontrollera att nätspänningen i eluttaget är 230 V AC.
- Kontrollera alltid innan användning att: högtrycksvätten, anslutningskabeln och stickproppen är oskadade för att undvika elektrisk chock.
- Skadade kablar, kopplingar, stickproppar ska inte ersättas med delar som inte uppfyller gällande normer. Dra genast ut stickproppen ur eluttaget om anslutningskabeln skadas på något sätt.
- Använd inte högtrycksvätten om strömbrytaren är skadad, den måste bytas ut direkt av en behörig elinstallatör.
- Överbelasta inte högtrycksvätten. Använd högtrycksvätten till det som den är avsedd för.

## Förklaring av varningsmärkning på maskinen

### Viktigt!

Högtrycksvätten har märkning med symboler som har viktig information eller instruktioner för användning.



Läs igenom hela bruksanvisningen före användning, beakta särskilt de avsnitt som är märkta med varningssymboler och varningstext.



### Varning!

Detta är en varningssymbol som används i bruksanvisningen vid alla avsnitt där det finns risk för personskada. Läs särskilt dessa avsnitt och tänk efter vad texten varnar för.



Använd alltid skyddsglasögon/visir och hörselskydd.



Dra alltid ut nätsladdens stickpropp ur eluttaget om anslutningskabeln är skadad på något vis. Dra alltid ut nätsladdens stickpropp ur eluttaget om högtrycksvätten lämnas utan uppsikt, även om det bara är för en kort stund.



**Varning:** Högtryckstvättar kan vara farliga, om de används på fel sätt. Rikta aldrig vattenstrålen mot människor eller djur, mot högtryckstvätten eller annan elektrisk utrustning!



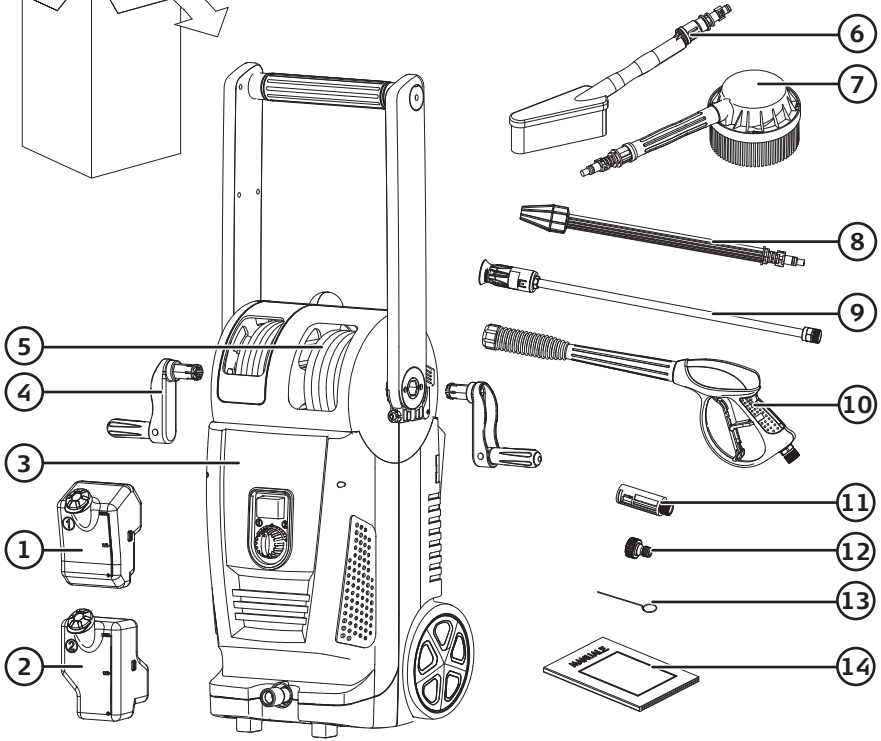
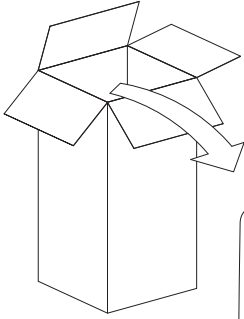
Högtryckstvätten får inte anslutas till en källa för dricksvatten eller liknande. Om du trots allt tar vatten från en dricksvattentäkt måste backventil och slang uppfylla normen IEC 61770.

## Användningsområde

- Högtryckstvätten är avsedd för att användas för rengöring av: väggar, terrasser, bilar, gräsklippare, cyklar etc. Vid behov kan högtryckstvätten användas med speciellt tvättmedel.
- Högtryckstvätten är avsedd för att användas utomhus för rengöring av: sten, trä, metall och plast.
- Högtryckstvätten är endast avsedd för privat bruk, ej för yrkesmässig användning.
- Högtryckstvätten får inte användas på annat sätt än vad som beskrivs i bruksanvisningen.

**Varning!** Läs noga igenom bruksanvisningen innan du börjar använda högtryckstvätten, lägg särskilt märke till varningstexterna. Denna högtryckstvätt har många funktioner som gör ditt jobb enklare och snabbare. Säkerhet, effektivitet och kvalitet har styrt utvecklingen av denna högtryckstvätt. Den är lätt att använda och kräver minimalt underhåll.

# Beskrivning



1. Tvättmedelsbehållare 1
2. Tvättmedelsbehållare 2
3. Högtryckstvätt
4. Vev (x 2)
5. Högtrycksslang
6. Borste
7. Roterande tvättborste
8. Turbolans

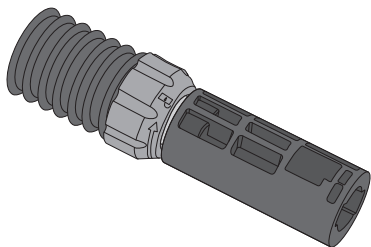
9. Standardlans med ställbart munstycke
10. Pistolhandtag med låsmutter (10-B)
11. Lansadapter
12. Anslutning för inkommande vatten
13. Rensnål, finns på baksidan bredvid tvättmedelsbehållaren
14. Bruksanvisning

## Montering

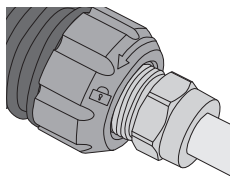
Kontrollera att alla delar är oskadade och finns med i emballaget vid leveransen.

**Varning!** Stäng av högtryckstvätten och dra ut nätsladdens stickpropp ur uttaget vid service och justering av maskinen! Kontrollera innan montering att stickproppen INTE är ansluten till ett eluttag.

1. Vik upp handtaget (fig. 1). Öppna excenterlåsen och vik upp handtaget.
2. Lås fast handtaget (fig. 2). Ställ in handtaget i önskad position och stäng excenterlåsen.
3. Montera vevarna (fig. 3). Tryck fast de båda vevarna.
4. Skruva fast högtrycksslangen på pistolhandtaget (fig. 4).
5. Montera standardlansen på pistolhandtaget (fig. 5).



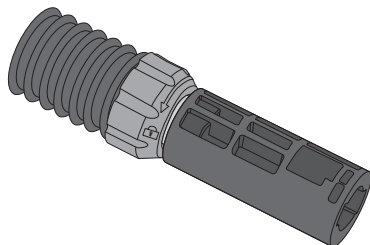
Ta bort lansadaptorn (11) från pistolhandtaget (om den är monterad). Vrid låsmuttern (10-B) medurs (pilen mot öppet lås).



Håll standardlansen mot pistolhandtaget och vrid låsmuttern moturs (pilen mot stängt lås) för att låsa fast lansen.

6. Montera turbolans eller annat tillbehör på pistolhandtaget (fig. 6).

1. Ta bort standardlansen (9) från pistolhandtaget (om den är monterad). Vrid låsmuttern medurs (pilen mot öppet lås).
2. Montera lansadaptorn (11) på pistolhandtaget och dra åt låsmuttern moturs (10-B) (pilen mot stängt lås).
3. Tryck in tillbehöret i bajonettkopplingen på lansadaptorn, vrid det  $\frac{1}{4}$  varv medurs tills det låser. Gör detta innan du börjar använda högtryckstvätten!



**Varning!** Kontrollera att tillbehöret sitter fast i pistolhandtaget, annars kan det kastas ut med stor kraft när högtryckstvätten startas!

7. Montera en terrasstvätt (fig. 7). **Obs!** Säljs separat.
  - Lansadaptorn (11) ska vara monterad på pistolhandtaget.
  - Tryck in tillbehöret i bajonettkopplingen på i lansadaptorn, vrid det  $\frac{1}{4}$  varv medurs tills det låser. Gör detta innan du börjar använda högtryckstvätten!  
Terrasstvädden används tillsammans med en skarvdel till lansens.
  - **Varning!** Kontrollera att tillbehöret sitter fast i pistolhandtaget, annars kan det kastas ut med stor kraft när högtryckstvätten startas!
8. Montera tillbehör (borstar) (fig. 8).
  - Lansadaptorn (11) ska vara monterad på pistolhandtaget.
  - Tryck in tillbehöret i bajonettkopplingen på i lansadaptorn, vrid det  $\frac{1}{4}$  varv medurs tills det låser. Gör detta innan du börjar använda högtryckstvätten!
  - **Varning!** Kontrollera att tillbehöret sitter fast i pistolhandtaget, annars kan det kastas ut med stor kraft när högtryckstvätten startas!
9. Montera anslutningen för inkommande vatten (fig. 9). Skruva fast anslutningsnippeln. Skruva inte åt för hårt, endast med handkraft.
10. Anslut en slang med inkommande vatten (fig. 10). Montera en snabbkoppling (säljs separat) på en trädgårdsslang (säljs separat) och tryck fast snabbkopplingen på anslutningsnippeln.
11. Anslut slangen till en vattenkran (fig. 11).
  - Anslut trädgårdsslangen (säljs separat) till en vattenkran.
  - **Varning!** Temperaturen på det inkommande vattnet får inte överstiga 40 °C. Spola en stund innan start om slangen har legat i solen och blivit varm. Högtryckstvätten måste användas i upprätt/vertikalt läge, använd den inte liggande.
12. Tryck in **0**-knappen på strömbrytaren (fig. 12). Högtryckstvätten ska vara avstängd.
13. Anslut nätsladdens stickpropp till ett eluttag (fig. 13).
14. Låt vattnet rinna igenom lansens (fig. 14). Håll in avtryckaren och släpp ut ev. luft tills det kommer vatten.

## Användning

15. Starta högtryckstvätten (fig. 15).
  - Dra ut så lång högtrycksslang som behövs.
  - Tryck på strömbrytarens gröna knapp för att starta högtryckstvätten. Rikta lansens åt ett riskfritt håll.
  - Om vattnet tas från en tank eller liknande utan självtryck, måste pumpen och inloppsslangen fyllas med vatten innan pumpen startas. Tanken måste befinna sig på en högre nivå än högtryckstvätten. Om vattnet är förorenat eller grumligt måste ett inloppsfiltret monteras på slangens inlopp.



Stäng av högtryckstvätten.

- Tryck på strömbrytarens röda knapp för att stänga av högtryckstvätten.
- Stäng av vattenkranen.
- Minska trycket på kvarvarande vatten i pump och slang genom att trycka in avtryckaren i några sekunder eller så länge som vatten rinner ut ur munstycket.
- Dra ut stickproppen ur eluttaget.
- Vik spärren på avtryckaren bakåt så att avtryckaren är låst.
- Linda upp slang och elkabel.

**Varning!** Risk för maskinskada. Högtryckstvätten får aldrig köras torr (utan vatten) eftersom pumpen då kan skadas. Om vattnet innehåller föroreningar måste ett filter monteras på högtryckstvättens tillopp, annars kan pumpen skadas.

16. Pistolhandtaget har en spärr mot oavsiktlig användning på avtryckaren (fig. 16).

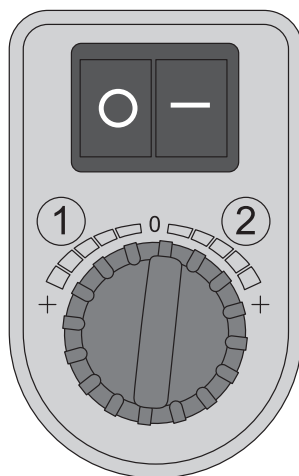
Vik ut spärren för att låsa avtryckaren, vik in spärren för att göra avtryckaren aktiv.

17. Användning med tvättmedel (fig. 17).

- Vik spärren på avtryckaren bakåt så att avtryckaren är låst. Öppna locken till tvättmedelsbehållarna.
- Fyll på tvättmedelsbehållarna på plats eller dra fram dem försiktigt och fyll dem med tvättmedel. Dra inte ut tvättmedelsbehållarna så långt att tvättmedelsslagen lossnar. Tryck fast locken.
- Tryck fast tvättmedelsbehållarna (om du har dragit ut dem).

Välj tvättmedelsbehållare 1 eller 2 och önskad mängd tvättmedel med vredet under strömbrytaren.

- Inställning: fullt moturs = Max tvättmedel från tvättmedelsbehållare 1.
- Inställning: fullt medurs = Max tvättmedel från tvättmedelsbehållare 2.
- Vredet rakt upp (0) = Inget tvättmedel.



18. Om du vill använda tvättmedel måste lansen vara inställd på lågt tryck (fig. 18).

**Obs!** Tvättmedlet sugas endast med om lansen är inställd på lågt tryck.

- Tvättmedel: Ställ in lågt tryck genom att dra munstycket utåt (gäller endast standardlansen).
- Inget tvättmedel: Ställ in högt tryck genom att dra munstycket inåt (gäller endast standardlansen).

19. Justera munstycket till önskad strålbredd (gäller endast standardlansen) (fig. 19).

- Rikta lansen mot den yta som ska tvättas, starta högtryckstvätten och tryck in avtryckaren.
- Ställ in strålens bredd genom att vrida på munstycket med- eller moturs.

20. Kontrollera/gör rent inloppsfiltret (fig. 20).

- Anslutningen för inkommande vatten är från fabriken försett med ett filter för att ta bort sand och andra föroreningar som kan skada pumpventilerna.
- Skruva loss anslutningen och spola ur filtret från baksidan under en vattenkran.

21. Rengör munstycket (fig. 21).

- Rengör munstycket vid behov, använd den medföljande rensnålen.
- Rensnålen förvaras nedstucken i en gummitätning ovanför tvättmedelsbehållarna.

## Användningstips

**Obs!** Rekommenderat avstånd mellan munstycke och ytan som ska tvättas är ca 30 cm! Kortare avstånd ger högre tvättkraft och kan skada den yta som tvättas.

Längre avstånd ger mjukare rengöring av ömtåliga underlag.

- Lägg inte anslutningskabeln över en vägbana, cykelväg etc. så att den kan skadas.  
**Varning!** Använd inte kortare anslutningsslang än 6 meter (1/2" slang), slangen tar upp eventuella tryckstötar i vattenledningen och skyddar högtryckstvätten så att den arbetar mjukare.  
**Varning!** När vattnet sprutar ut ur lansen uppstår en rekylverkan på lansen, se därför till att hålla den stadigt med båda händerna och stå stadigt.
- Rikta aldrig vattenstrålen mot människor eller djur, mot högtryckstvätten eller annan elektrisk utrustning.
- Använd skyddsglasögon då vatten och partiklar kan slå tillbaka när man riktar strålen mot ett föremål.  
**Varning!** Stäng av högtryckstvätten och dra ur stickproppen om du gör ett längre uppehåll i arbetet, låt inte maskinen vara påslagen utan övervakning.

## Skötsel och underhåll

**Varning!** Stäng av högtryckstvätten och dra ut nätsladdens stickpropp ur uttaget vid service och justering av maskinen!

- Rengöring av inloppsfiltret i anslutningen för inkommande vatten och munstycke är viktigt för att högtryckstvätten ska fungera bra. Inloppsfiltret ska tas ur och rengöras för att förhindra att föroreningar i vattnet skadar pump och tätningar, munstycket måste rengöras med jämna mellanrum.
- Kontrollera att munstycket är öppet, ta försiktigt bort smuts och avlagringar, skölj med rent vatten!
- Skydda högtryckstvätten mot frost: töm den helt\*, ta loss högtrycksslangen och förvara alla delar på en torr plats över vintern! **Obs!** Garantin gäller inte vid frostsprängning!

\* Starta pumpen med avtryckaren intryckt eller högtrycksslangen bortkopplad och låt den gå i ca 30 sekunder för att tömma pumpen helt.

### Förvaring

- Förvara högtryckstvätten på en torr plats utom räckhåll för barn och andra som inte har läst bruksanvisningen. Demontera slang och lans och förvara dem vid högtryckstvätten, undvik att förvara högtryckstvätten i temperatur under 5 °C eller över 40 °C.  
**Obs!** Skydda högtryckstvätten mot frost, se till att den är helt tömd innan den ställs undan till förvaring!  
**Varning!** Kör aldrig högtryckstvätten torr, pumpens tätningar kan skadas!
- Tänk på att högtryckstvätten kan vara trycksatt även om den är avstängd! Gör den trycklös genom att trycka in avtryckaren innan du kopplar loss slangarna! Frånkoppling av högtrycksslangen när systemet är trycksatt kan vara farligt.
- Nya munstycken till högtryckstvätten finns att köpa hos leverantören.  
**Varning!** Titta aldrig mot munstycket när det är monterat på tvätten.

## Felsökning

### Maskinen startar inte

- Sitter stickproppen i ett eluttag, finns ström i uttaget, är säkringen hel?
- Högtryckstvätten trycksatt, tryck in avtryckaren!
- Felaktig stickpropp/eluttag!
- Felaktig skarvkabel, prova utan skarvkabel!
- Fel spänning, kontrollera!
- Strömbrytaren står i läge **0**. Tryck in den gröna knappen.

## Pumpen ger för lågt tryck

- Igensatt/utslitet munstycke, rengör eller byt ut.
- Dålig vattentillförsel, kontrollera: En 10-liters hink ska fyllas på en minut från slangen!
- Slangen kan ligga i veck, kontrollera, rätta ut vecken.
- Ingångsfiltret kan vara igensatt, kontrollera och rengör vid behov!
- Vattenslangen är igensatt eller läcker, kontrollera!

## Pumpen läcker

- Slangkopplingsnippeln inte åtdragen.

## Pumpen stannar

- Säkringen har gått, kontrollera!
- För lång skarvsladd, prova utan skarvsladd.
- Överhettning p.g.a. dålig vattentillförsel, ingångsfiltret kan vara igensatt! Prova vattenflödet: En 10-liters hink ska fyllas på en minut från slangen!

## Inget eller för liten mängd vatten kommer ur munstycket

- Pumpen suger inte in vatten, tryck in avtryckaren och släpp ut ev. luft och kontrollera att sugslangen är fylld med vatten. Högtryckstvätten måste användas i upprikt/vertikalt läge, använd den inte liggande.
- Smuts i munstycket, rengör.
- Inlopps- eller utloppsventil är skadad, byt ut.

## Det går inte att trycka in avtryckaren

- Säkerhetsspärren är aktiverad, koppla ur spärren genom att trycka den nedåt.

## Avfallshantering

Denna symbol innebär att produkten inte får kastas tillsammans med annat hushållsavfall. Detta gäller inom hela EU. För att förebygga eventuell skada på miljö och hälsa, orsakad av felaktig avfallshantering, ska produkten lämnas till återvinning så att materialet kan tas omhand på ett ansvarsfullt sätt. När du lämnar produkten till återvinning, använd dig av de returhanteringssystem som finns där du befinner dig eller kontakta inköpsstället. De kan se till att produkten tas om hand på ett för miljön tillfredställande sätt.



## Teknisk specifikation

<b>Märkspänning</b>	230 V AC, 50 Hz
<b>Ineffekt</b>	2300 W
<b>Max ingångstryck vatten</b>	6 bar (0,6 Mpa)
<b>Arbetstryck</b>	100 bar (10 Mpa)
<b>Max tillåtet tryck</b>	150 bar (15 Mpa)
<b>Vattenförbrukning</b>	6,7 l/min
<b>Max vattenförbrukning</b>	7,7 l/min
<b>Slang</b>	8 m
<b>Max vattentemperatur</b>	40 °C
<b>Vikt</b>	23 kg
<b>Skyddsklass</b>	IPX5
<b>Ljudtrycksnivå (LpA)</b>	80 dB(A), KpA: 3 dB
<b>Ljudeffekt (LWAd)</b>	90 dB(A)
<b>Vibration</b>	2,5 m/s <sup>2</sup> , K=1,5 m/s <sup>2</sup>
<b>Rekylkraft</b>	< 20 N

# Høytrykkspyler

Art.nr. 40-9909    Modell 150 EPW

Les brukerveiledningen grundig før produktet tas i bruk, og ta vare på den for framtidig bruk. Vi reserverer oss mot eventuelle feil i tekst og bilder, samt endringer av tekniske data. Ved tekniske problemer eller spørsmål, ta kontakt med vårt kundesenter.

## Innholdsfortegnelse

<b>Sikkerhet</b> .....	<b>39</b>
Generelle sikkerhetsanvisninger .....	39
Spesielle sikkerhetsanvisninger .....	41
Forklaring av advarselsmerking på maskinen.....	42
<b>Bruksområde</b> .....	<b>43</b>
<b>Beskrivelse</b> .....	<b>44</b>
<b>Montering</b> .....	<b>45</b>
<b>Bruk</b> .....	<b>46</b>
Brukertips.....	48
<b>Stell og vedlikehold</b> .....	<b>49</b>
Oppbevaring.....	49
<b>Feilsøking</b> .....	<b>49</b>
<b>Avfallshåndtering</b> .....	<b>50</b>
<b>Teknisk spesifikasjon</b> .....	<b>51</b>

# Sikkerhet

## Generelle sikkerhetsanvisninger

- Bruk ikke høytrykkspyleren før du har lest hele bruksanvisningen.
- Rett aldri vannstrålen mot deg selv eller noen andre. Fare for personskader, vannstrålen kan trenge gjennom huden.
- Strømuttaket, som høytrykkspyleren kobles til, skal være installert av elektriker ifølge IEC 60364-1-normene.
- Høytrykkspyleren skal kobles til strømmettet via en jordfeilbryter (utløsningsstrøm maks. 30 mA i løpet av maks. 30 ms).
- **Advarsel:** Bruk kun rengjøringsmiddel beregnet for høytrykksvasking, andre rengjøringsmiddel og kjemikalier kan skade høytrykkspyleren eller forårsake personskade.
- Bruk ikke høytrykkspyleren når det er personer i nærheten, som mangler verneklær og vernebriller.
- Høytrykkspylerer kan være farlige hvis de brukes feil. Rett aldri vannstrålen mot mennesker eller dyr, mot høytrykkspyleren eller annet elektrisk utstyr.
- Trekk alltid støpselet ut av stikkontakten, før service og justering av maskinen.
- Høytrykkspyleren må ikke brukes av mindreårige eller personer som ikke har kunnskap om maskinen.
- Bruk kun originaldeler ved reparasjon for din egen sikkerhet.
- **Advarsel:** Høytrykksslanger, koblinger og tilbehør er viktige sikkerhetsdetaljer, bruk derfor kun tilbehør og reservedeler som er anbefalt av produsent.
- Bruk ikke høytrykkspyleren hvis tilslutningskabelen eller noen annen viktig detalj er skadet: som f.eks. sikkerhetsanordning, høytrykksslange, lanse, pistolhåndtak etc.
- Dersom skjøtekabel brukes må den være utstyrt med vanntett støpsele, vanntett uttak og være beregnet for utendørs bruk.
- **Advarsel:** Bruk av feil type skjøtekabler kan være farlige.

- Vær ekstra på vakt ved bruk av høytrykkspyleren i nærheten av barn.
- Lær deg hvordan høytrykkspyleren fungerer, så du raskt kan stoppe den og gjøre den trykkløs.
- Vær oppmerksom, tenk på hva du gjør.
- Bruk ikke høytrykkspyleren dersom du er trett, sliten eller påvirket av alkohol, narkotika eller sterke legemidler.
- Hold arbeidsområdet tomt for tilskuere og husdyr.
- Strekk deg ikke for langt, eller stå ikke på underlag som ikke er stødig. Stå alltid med begge beina på bakken, og ha alltid god balanse.
- Følg alle instruksjoner for service og vedlikehold som beskrives i bruksanvisningen.
- Bruk alltid verneklær og vernebriller/visir. Steiner og andre mindre gjenstander kan kastes i vei av vannstrålen. Bruk hørselsvern.
- **Advarsel:** Høytrykkspyleren må ikke kobles til en drikkevannskilde eller liknende. Hvis du allikevel tar vann fra en drikkevannsforsyning må returventilen og slangen oppfylle normen IEC 61770.
- Produktet må ikke brukes av personer (inkl. barn) med noen form for funksjonshemming, eller mangel på erfaring eller kunnskap, dersom det ikke foregår under tilsyn eller etter opplæring i bruken av produktet, av en person som kan ta ansvaret for deres sikkerhet.
- Barn må holdes under oppsikt, høytrykkspyleren er ikke et leketøy.
- Skadet strømledning og strømbryter skal alltid skiftes av fagpersoner for å unngå fare for skader.
- Vann som har passert returventilen i høytrykkspyleren må ikke drikkes.



## Spesielle sikkerhetsanvisninger

Ta vare på denne bruksanvisningen. Den må følge produktet dersom det skal lånes bort.

- Pass alltid på at en avstengt høytrykkspyler ikke kan få en uønsket oppstart.
- Produktet må ikke bygges om eller modifiseres. Det må heller ikke brukes deler sammen med produktet, hvis de ikke er godkjent av produsenten.
- Bruk kun slanger og tilkoblinger som er anbefalt av produsenten.
- Bær ikke produktet etter strømkabelen eller slangen. Hold ikke hånden på strømbryteren når høytrykkspyleren forflyttes hvis støpselet er plugges til strømmettet.
- Trekk støpselet ut av stikkkontakten når høytrykkspyleren ikke er i bruk, forlates uten tilsyn eller forflyttes. Støpselet må også trekkes ut før det foretas kontroll, rengjøring eller skifte av tilbehør. Høytrykkspyleren må også kobles fra strømmettet hvis det er skadet. Hvis høytrykkspyleren begynner å vibrere mye skal støpselet trekkes ut av strømuttaket.
- Du må ikke reparere høytrykkspyleren eller tilbehøret selv. Alle reparasjoner må utføres av kvalifiserte personer.
- Bruk ikke høytrykkspyleren nær brannfarlige væsker eller gasser. Det kan føre til brann eller eksplosjon.
- Bruk ikke høytrykkspyleren hvis slangen, ledningen, strømbryteren eller andre deler er skadet.
- Dersom man bruker skjøteledning, må den være utstyrt med vanntett støpsel og vanntett skjøteuttak, og være beregnet for utendørs bruk. Bruk av feil type skjøteledning innebærer en viss fare.
- Det er alltid brukeren som er ansvarlig for ulykker eller skader forbundet med bruk av dette produktet.
- Høytrykkspyleren skal oppbevares i et tørt rom og utenfor barns rekkevidde.

- Høytrykkspyleren og tilbehøret må behandles varsomt. Hold alle delene rene. Dette er med på å opprettholde sikkerheten.
- Kontroller at nettspenningen i strømuttaket er 230 V AC.
- Kontroller alltid av høytrykkspyleren, ledningen og støpselet ikke er ødelagt, før bruk.
- Skadede ledninger, koblinger, støpsler og andre deler skal ikke erstattes med deler som ikke oppfyller gjeldende normer. Trekk alltid støpselet ut av stikkontakten umiddelbart hvis ledningen er skadet.
- Bruk ikke høytrykkspyleren hvis høytrykksslangen er skadet. Den må da byttes ut umiddelbart.
- Høytrykkspyleren må ikke overbelastes. Bruk aldri høytrykkspyleren til annet enn det den er beregnet til.

## Forklaring av advarselmerking på maskinen

### Viktig!

Høytrykkspyleren er merket med symboler som har viktig informasjon og instruksjoner for bruk av den.



Les hele bruksanvisninger før bruk. Les avsnittene som er merket med advarselssymboler og advarselstekster ekstra grundig.



### Advarsel!

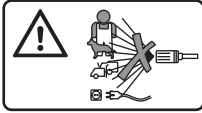
Dette er et varslingsymbol som brukes i bruksanvisningen ved alle avsnitt som beskriver fare for personskader. Les disse avsnittene ekstra grundig og sett deg godt inn i hva teksten betyr.



Bruk alltid vernebriller/visir og hørselsvern.



Trekk alltid støpselet ut av stikkontakten hvis ledningen er skadet.  
Trekk alltid støpselet ut av strømuttaket når du forlater høytrykkspyleren uten tilsyn, selv ved kortere perioder.



**Advarsel:** Høytrykkspylerer kan være farlige hvis de brukes feil. Rett aldri vannstrålen mot mennesker eller dyr, mot høytrykkspyleren eller mot annet elektrisk utstyr.



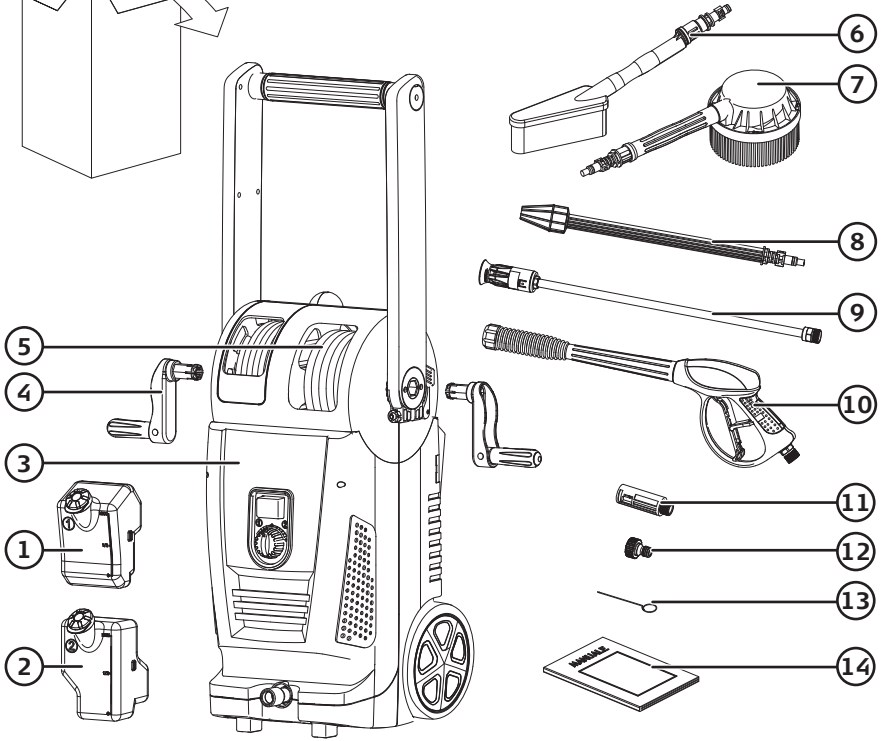
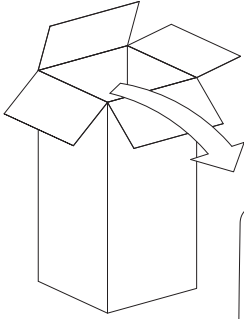
Høytrykkspyleren må ikke kobles til en drikkevannskilde eller liknende. Hvis du allikevel tar vann fra en drikkevannsforsyning må returventilen og slangen oppfylle normen IEC 61770.

## Bruksområde

- Høytrykkspyleren er beregnet for rengjøring av vegger, terrasser, biler, gressklippere, sykler etc. Ved behov kan høytrykkspyleren brukes sammen med spesielle vaskemidler.
- Høytrykkspyleren er beregnet for utendørs bruk for rengjøring av stein, tre, metall og plastmateriale.
- Høytrykkspyleren er beregnet for privat bruk og ikke til profesjonelt bruk.
- Høytrykkspyleren må kun brukes som beskrevet i denne bruksanvisningen.

**Advarsel!** Les nøye gjennom bruksanvisningen før du begynner å bruke høytrykkspyleren, legg spesielt merke til advarselstekstene. Denne høytrykkspyleren har mange funksjoner som gjør jobben enklere og raskere. Sikkerhet, effektivitet og kvalitet har styrt utviklingen av denne høytrykkspyleren. Den er lett å bruke og krever minimalt med vedlikehold.

# Beskrivelse



1. Vaskemiddelbeholder 1

2. Vaskemiddelbeholder 2

3. Høytrykkspyler

4. Sveiv (x 2)

5. Høytrykkslange

6. Gatekost

7. Roterende rengjøringsbørste

8. Turbolanse

9. Standardlans med justerbart munnstykke

10. Pistolhåndtak med låsemutter (10-B)

11. Lanseadapter

12. Tilslutning for innkommende vann

13. Rensenål som er festet på baksiden ved beholderen for vaskemiddel

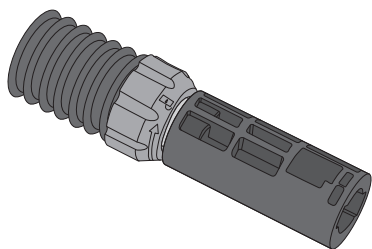
14. Bruksanvisning

# Montering

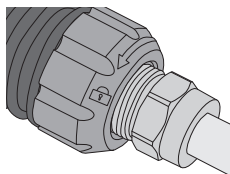
Kontroller at alle deler er uskadd og med i emballasjen ved levering.

**Advarsel!** Steng høytrykkspyleren og trekk støpslet ut fra strømuttaket før service og justering på maskinen! Før montering må man kontrollere at ledningen IKKE er koblet til et strømuttak.

1. Vend håndtaket oppover (fig. 1). Åpne opp eksenterlåsen og bend håndtaket opp.
2. Lås håndtaket (fig. 2). Still inn håndtaket i ønsket posisjon og lås med eksenterlåsen.
3. Montere sveivene (fig. 3). Trykk fast begge sveivene.
4. Skru fast høytrykksslangen til pistolhåndtaket (fig. 4).
5. Monter standardlansen på pistolhåndtaket (fig. 5).



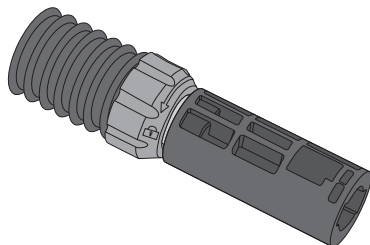
Fjern lanseadapteren (11) fra pistolhåndtaket (hvis det er montert).  
Drei låsemutteren (10-B) medurs (pilen mot åpen lås).



Hold standardlansen mot pistolhåndtaket og drei moturs (pilen mot stengt lås) for å feste lansen.

6. Montering av turbolanse og annet tilbehør til pistolhåndtaket (fig. 6).

1. Fjern lanseadapteren (9) fra pistolhåndtaket (hvis det er montert).  
Drei låsemutteren medurs (pilen mot åpen lås).
2. Monter lanseadapteren (11) på pistolhåndtaket og dra til låsemutteren, moturs (pilen mot stengt lås).
3. Trykk tilbehøret inn på bajonettkoblingen på lanseadapteren. Drei en kvart gang rundt, med klokken, til den låser. Dette må gjøres før du starter høytrykkspyleren.



**Advarsel!** Kontroller at tilbehøret sitter fast i pistolhåndtaket, ellers kan det kastes av med stor kraft!

7. Monter terrassevaskeren (fig. 7). **Obs!** Selges separat.
  - Lanseadapteren (11) skal være montert på pistolhåndtaket.
  - Trykk tilbehøret inn på bajonettkoblingen på lanseadapteren. Drei en kvart gang rundt, med klokken, til den låser. Dette må gjøres før du starter høytrykkspyleren. Terrassevaskeren brukes sammen med en skjotedel til lanser.
  - **Advarsel!** Kontroller at tilbehøret sitter fast i pistolhåndtaket, ellers kan det kastes av med stor kraft!
8. Montere tilbehør (børster) (fig. 8).
  - Lanseadapteren (11) skal være montert på pistolhåndtaket.
  - Trykk tilbehøret inn på bajonettkoblingen på lanseadapteren. Drei en kvart gang rundt, med klokken, til den låser. Dette må gjøres før du starter høytrykkspyleren.
  - **Advarsel!** Kontroller at tilbehøret sitter fast i pistolhåndtaket, ellers kan det kastes av med stor kraft!
9. Monter tilslutningen for innkommende vann (fig. 9). Skru fast tilkoblingsnippelen. Skru ikke for hardt, bruk kun håndkraft.
10. Koble til slange for innkommende vann (fig. 10). Monter en hurtigkobling (selges separat) på en hageslange (selges separat) og trykk den fast på høytrykkspyleren.
11. Slangen kobles til en vannkran (fig. 11).
  - Hageslangen (selges separat) kobles til en vannkran.
  - **Advarsel!** Temperaturen på det innkommende vannet må ikke overstige 40 °C. Spyl en stund før start dersom slangen har ligget i solen og blitt varm. Høytrykkspyleren må brukes i stående, vannrett posisjon. Bruk den ikke liggende.
12. Trykk inn **0**-knappen på strømbryteren (fig. 12). Høytrykkspyleren skal være avskrudd.
13. Koble støpselet til en stikkontakt (fig. 13).
14. La vannet renne gjennom lanser (fig. 14). Hold avtrekkeren inne og slipp ut eventuell luft helt til vannet begynner å strømme.

## Bruk

15. Start høytrykkspyleren (fig. 15).
  - Trekk ut så mye høytrykksslange som du trenger.
  - Trykk deretter på strømbryterens grønne knapp for å starte høytrykkspyleren. Vend lanser mot et område uten farer.
  - Dersom vannet tas fra en tank eller liknende, uten naturlig trykk, må pumpen og avløpslangen fylles med vann før pumpen startes. Tanken på stå på et høyere nivå enn høytrykkspyleren. Hvis vannet er forurenset eller grumsete må et innløpsfilter monteres på slangens innløp.

### Stopp maskinen

- Trykk på den røde knappen på strømbryteren for å stenge høytrykkspyleren.
- Steng vannkranen.
- Reduser trykket på vannet som er i pumpen ved å trykke på avtrekkeren i noen sekunder eller så lenge vannet renner ut av munnstykket.
- Trekk støpselet ut av stikkontakten.
- Bend sperren på avtrekkeren bakover slik at avtrekkeren er låst.
- Vind opp slangen og strømkabelen.

**Advarsel!** Fare for maskinskade. Høytrykkspyleren må aldri kjøres tørr (uten vann). Det kan skade pumpen. Hvis vannet er forurenset må det monteres et filter på inntaket på høytrykkspyleren. Hvis ikke er det fare for at pumpen blir ødelagt.

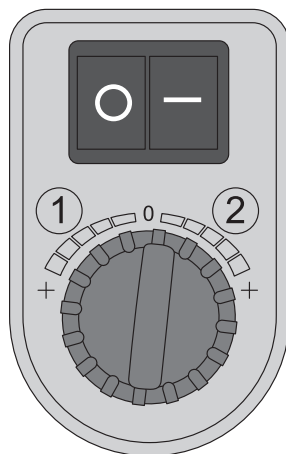
16. Pistolhåndtakets avtrekker har en sperre mot uønsket start (fig. 16). Trekk ut sperren for å låse avtrekkeren. Skyv den inn for å aktivere avtrekkeren.

17. Bruk med rengjøringsmiddel (fig. 17).

- Bend sperren på avtrekkeren bakover slik at avtrekkeren er låst. Åpne lokket til vaskemiddeltanken.
- Fyll på vaskemiddelbeholderne på plassen eller trekk dem forsiktig ut og fyll dem med vaskemiddel. Ikke trekk vaskemiddelbeholderne så langt ut at slangen løsner. Trykk lokket på plass.
- Fest vaskemiddeltanken igjen (hvis du har hatt den trukket ut).

Velg vaskemiddelbeholder 1 eller 2 og ønsket mengde vaskemiddel med bryteren under strømbryteren.

- Innstilling: helt moturs = Maks vaskemiddel fra vaskemiddelbeholderen 1.
- Innstilling: helt medurs = Maks vaskemiddel fra vaskemiddelbeholderen 2.
- Bryteren rett opp (0) = Uten vaskemiddel.



18. Hvis du skal bruke vaskemiddel må lansen være innstilt på lavt trykk (fig. 18).

**Obs!** Vaskemiddelet blir kun med hvis lansen er innstilt på lavt trykk.

- Vaskemiddel: Still inn på lavt trykk ved å trekke munnstykket utover (gjelder kun standardlansen).
- Uten vaskemiddel: Still inn på høyt trykk ved å trekke munnstykket innover (gjelder kun standardlansen).

19. Juster munnstykket til ønsket strålebredde (gjelder kun standardlansen) (fig. 19).

- Vend lansen mot området som skal rengjøres, start høytrykkspyleren og trykk inn avtrykkeren.
- Still inn strålens bredde ved å dreie munnstykket mot- eller medurs.

20. Inntaksfilter kontrollere/gjøre rent (fig. 20).

- Tilkoblingen for innkommende vann er fra fabrikken levert med et filter for å fjerne sand og annen forurensing som kan skade pumpeventilene.
- Skru løs tilkoblingen og spyl filteret fra baksiden under en vannkran.

21. Rengjør munnstykket (fig. 21).

- Munnstykket rengjøres ved behov. Bruk den medfølgende rensenålen.
- Rensenålen oppbevares nedstukket i en gummipakning ovenfor vaskemiddeltanken.

## Brukertips

**Obs!** Anbefalt avstand mellom munnstykke og flaten som skal vaskes er ca. 30 cm!

Kortere avstand gir høyere vaskekraft og kan skade den flaten som skal vaskes.

Lengre avstand gir mykere rengjøring av ømtålig underlag.

- Legg ikke tilslutningskabelen over en vei, sykkelsti etc. slik at den kan skades.

**Advarsel!** Bruk ikke kortere vannslange enn 6 m (1/2" slange). Den tar opp eventuelle trykkbølger i vannledningen, beskytter høytrykkspyleren og gjør at arbeidet blir utført jevnt.

**Advarsel!** Når vannet spruter ut fra lansen oppstår en rekyleffekt på lansen. Pass derfor på å holde den godt med begge hender og at du står stødig.

- Rett aldri vannstrålen mot mennesker eller dyr, mot høytrykkspyleren eller annet elektrisk utstyr.
- Bruk vernebriller, da vann og partikler kan slå tilbake når man retter strålen mot en gjenstand.

**Advarsel!** Skru av høytrykkspyleren hvis du har et lengre opphold i arbeidet.

La ikke maskinen være på uten overvåking.



## Stell og vedlikehold

**Advarsel!** Steng høytrykkspyleren og trekk støpslet ut fra strømuttaket før service og justering på maskinen!

- Rengjøring av inntaksfilteret i koblingen for innkommende vann (4) og munnstykke er viktig for at høytrykkspyleren skal fungere bra. Innløpsfilteret skal tas ut og rengjøres for å forhindre at forurenset vann skader pumpe og pakninger, munnstykket må rengjøres med jevne mellomrom.
- Kontroller at munnstykket er åpent, fjern forsiktig avleiringer og smuss, og skyll med rent vann.
- Beskytt høytrykkspyleren mot frost, tøm den helt\* og ta løs høytrykksslangen, oppbevar den på et tørt sted over vinteren! **Obs!** Garantien gjelder ikke ved frostsprengning!

\* Start pumpen med avtrekkeren trykket inn eller høytrykksslangen frakoblet og la den gå i ca. 30 sekunder, slik at den tømmes for vann.

## Oppbevaring

- Oppbevar høytrykkspyleren på et trygt sted, utilgjengelig for barn og andre som ikke har lest bruksanvisningen. Demonter slange og lanse, og oppbevar dem ved høytrykkspyleren. Unngå å oppbevare høytrykkspyleren i temperaturer under 5 °C eller over 40 °C.  
**Obs!** Beskytt høytrykkspyleren mot frost. Påse at den er helt tømt for vann når den settes bort for oppbevaring.  
**Advarsel!** Kjør aldri høytrykkspyleren tørr. Pumpens pakninger kan skades!
- Tenk på at høytrykkspyleren kan være under trykk selv om den er avslått. Gjør den trykløs ved å trykke inn avtrekkeren før du løsner slangene! Høytrykksslangen må ikke kobles fra mens systemet under trykk. Det kan føre til skader eller ulykker.
- Nye munnstykker til høytrykkspyleren kan du kjøpe hos leverandøren.  
**Advarsel!** Vend aldri munnstykket mot øynene når det er montert på maskinen.

## Feilsøking

### Maskinen starter ikke

- Er støpselet koblet til en stikkontakt? Er det strøm i uttaket? Er sikringen intakt?
- Høytrykkspyleren er under trykk, trykk inn avtrekkeren.
- Feil støpsel eller stikkontakt.
- Feil skjøteledning, prøv uten strømkabel!
- Feil spenning, kontroller!
- Strømbryteren er innstilt på 0. Trykk inn den grønne knappen.

### Pumpen gir for lavt trykk

- Tett/utslitt munnstykke, rengjør eller bytt ut.
- Dårlig vanntilførsel, kontroller: En 10-liters bøtte skal fylles på ett minutt fra slangen!
- Slangen kan være i klem. Rett ut slangen.
- Inngangsfileret kan være tett. Kontroller og rengjør etter behov!
- Vannslangen er tett eller lekker, kontroller!

### Pumpen lekker

- Slangetilkoblingsnippelen ikke trukket til.

### Pumpen stopper

- Sikringen har gått, kontroller!
- For lang skjøtekabel, prøv uten.
- Overoppheting pga. dårlig vanntilførsel, inngangsfileret kan være tett!  
Test vanntilførsel: En 10-liters bøtte skal fylles på ett minutt fra slangen!

### Det kommer ikke vann gjennom munnstykket, eller det kommer for lite vann

- Pumpen suger ikke inn vann, trykk inn avtrekkeren og slipp ut eventuell luft, og kontroller at sugeslangen er fylt med vann. Høytrykkspyleren må brukes i stående, vannrett posisjon. Bruk den ikke liggende.
- Støv i munnstykket, rengjør.
- Inntaks- eller utløpsventil er skadet. Skift den ut.

### Avtrekkeren kan ikke trykkes inn.

- Sikkerhetssperren er aktivert. Sperren kobles ut ved at den trykkes ned.

## Avfallshåndtering

Symbolet viser til at produktet ikke skal kastes sammen med husholdningsavfallet. Dette gjelder i hele EØS-området. For å forebygge eventuelle skader på helse og miljø, som følge av feil håndtering av avfall, skal produktet leveres til gjenvinning, slik at materialet blir tatt hånd om på en ansvarsfull måte. Benytt miljøstasjonene som er der du befinner deg eller ta kontakt med forhandler. De kan se til at produktet blir behandlet på en tilfredsstillende måte som gagnar miljøet.



## Teknisk spesifikasjon

Spenning	230 V AC, 50 Hz
Effekt	2300 W
Maks. inngangstrykk vann	6 bar (0,6 MPa)
Arbeidstrykk	100 bar (10 MPa)
Maks. tillat trykk	150 bar (15 MPa)
Vannforbruk	6,7 l/min
Maks vannforbruk	7,7 l/min
Slange	8 m
Maks. vanntemperatur	40 °C
Vekt	23 kg
Beskyttelsesklasse	IPX5
Lydtrykk (LpA)	80 dB(A), KpA: 3 dB
Lydeffekt (LWAd)	90 dB(A)
Vibrasjon	2,5 m/s <sup>2</sup> , K=1,5 m/s <sup>2</sup>
Rekylkraft	< 20 N

# Painepesuri

Tuotenumero 40-9909

Malli 150C EPW

Lue käyttöohje ennen tuotteen käyttöönottoa ja säilytä se tulevaa tarvetta varten. Pidätämme oikeuden teknisten tietojen muutoksiin. Emme vastaa mahdollisista teksti- tai kuvavirheistä. Jos tuotteeseen tulee teknisiä ongelmia, ota yhteys asiakaspalveluun.

## Sisällysluettelo

<b>Turvallisuus</b> .....	<b>53</b>
Yleiset turvallisuusohjeet.....	53
Erityisiä turvallisuusohjeita .....	54
Laitteen varoitusmerkkien selitykset.....	56
<b>Käyttöalueet</b> .....	<b>56</b>
<b>Kuvaus</b> .....	<b>57</b>
<b>Asentaminen</b> .....	<b>58</b>
<b>Käyttö</b> .....	<b>59</b>
Käyttövinkkejä.....	61
<b>Huolto ja puhdistaminen</b> .....	<b>62</b>
Säilytys.....	62
<b>Vianetsintä</b> .....	<b>62</b>
<b>Kierrättäminen</b> .....	<b>63</b>
<b>Tekniset tiedot</b> .....	<b>64</b>

# Turvallisuus

## Yleiset turvallisuusohjeet

- Lue käyttöohje kokonaan, ennen kuin otat painepesurin käyttöön.
- Älä suuntaa vesisuihkua itseäsi tai muita henkilöitä kohti. Loukkaantumisvaara, vesisuihku voi läpäistä ihon.
- Pistorasian, johon painepesuri liitetään, tulee olla sähköalan ammattilaisen asentama IEC 60364-1-normien mukaisesti.
- Painepesuri tulee liittää sähköverkkoon vikavirtasuojakytkimen kautta (laukeamisvirta maks. 30 mA, maks. 30 ms:n sisällä).
- **Varoitus:** Käytä ainoastaan painepesureille tarkoitettuja pesuaineita. Muut pesuaineet ja kemikaalit saattavat vaurioittaa painepesuria tai aiheuttaa henkilövahinkoja.
- Älä käytä painepesuria, mikäli lähistöllä on ihmisiä ilman suojavaatteita ja suojalaseja.
- Painepesuri voi olla vaarallinen väärin käytettynä. Älä suuntaa vesisuihkua itseäsi, muita ihmisiä, eläimiä, painepesuria tai muita sähkölaitteita kohti.
- Poista pistoke pistorasiasta aina ennen laitteen huoltoa ja säätöä.
- Älä luovuta painepesuria alaikäisille tai henkilöille, jotka eivät osaa käyttää laitetta.
- Käytä ainoastaan alkuperäisosa oman turvallisuutesi vuoksi.
- **Varoitus:** Paineletkut, liittimet ja varusteet ovat tärkeitä laitteen käyttöturvallisuuteen vaikuttavia osia. Käytä ainoastaan valmistajan suosittelemia varaosia ja varusteita.
- Älä käytä painepesuria, mikäli virtajohto tai jokin muu tärkeä osa, kuten turvalaitteet, paineletku, suihkupuutki tai käsikahva, ovat vahingoittuneet.
- Jos käytetään jatkojohtoa, sen tulee sopia ulkokäyttöön ja siinä tulee olla vesitiivis pistoke ja pistorasia.
- **Varoitus:** Vääränlaiset jatkojohdot saattavat olla vaarallisia.
- Ole erityisen varovainen, jos käytät painepesuria lasten läheisyydessä.

- Tutustu huolellisesti painepesurin toimintaan, jotta voit sammuttaa sen ja poistaa paineet nopeasti.
- Ole tarkkaavainen ja mieti mitä teet.
- Älä käytä painepesuria, jos olet väsynyt tai alkoholin, huumeiden tai lääkkeiden vaikutuksen alainen.
- Älä päästä työskentelyalueelle eläimiä tai muita ihmisiä.
- Älä kurotu liian pitkälle äläkä seiso epävakaaalla alustalla. Pidä aina molemmat jalat maassa ja seiso vakaasti.
- Noudata kaikkia käyttöohjeessa kuvattuja huolto-ohjeita.
- Käytä aina suojavaatteita ja suojalaseja tai visiiriä. Vesisuihku saattaa lennättää kiviä ja muita pieniä esineitä. Käytä kuulosuojainta.
- **Varoitus:** Painepesuria ei saa liittää juomavesijärjestelmään tai vastaavaan. Jos kuitenkin otat vettä juomavesijärjestelmästä, tulee käyttää normin IEC 61770 täyttävää takaiskuventtiiliä ja letkua.
- Henkilöt (mukaan lukien lapset), joilla on fyysisiä tai psyykkisiä rajoitteita tai joilla ei ole riittävästi kokemusta ja taitoja laitteen käytöstä, eivät saa käyttää laitetta, mikäli mukana ei ole henkilöä, joka ohjaa laitteen käytössä ja vastaa turvallisuudesta.
- Lapsia tulee valvoa, painepesuri ei ole lelu.
- Vioittunut virtajohto ja virtakytkin tulee aina vaihtaa huoltoliikkeessä.
- Painepesurin takaiskuventtiileiden läpi kulkenutta vettä ei saa käyttää juomavetenä.

### Erityisiä turvallisuusohjeita

Säilytä käyttöohje ja pidä se laitteen yhteydessä, jos esim. lainaat laitetta.

- Varmista että sammutettu painepesuri ei pääse käynnistymään tahattomasti.
- Painepesuria ei saa muuttaa millään tavalla. Painepesurissa saa käyttää vain valmistajan hyväksymiä osia.
- Käytä ainoastaan valmistajan suosittelemia letkuja ja liittimiä.

- Painepesuria ei saa kantaa johdosta tai letkusta. Älä pidä kättä virtakytkimellä, kun siirät painepesuria ja kun pistoke on liitetty pistorasiaan.
- Irrota pistoke pistorasiasta, kun painepesuria ei käytetä sekä kun asetat sen säilytykseen tai siirät sitä. Pistoke pitää irrottaa pistorasiasta ennen huoltoa, puhdistamista ja varusteiden vaihtoa. Pistoke pitää irrottaa myös, jos jatkojohto tai virtajohto on vioittunut. Irrota pistoke pistorasiasta, jos painepesuri alkaa täristä voimakkaasti.
- Älä korjaa itse painepesuria tai siinä käytettäviä tarvikkeita. Ainoastaan valtuutettu huoltoliike saa korjata laitteen.
- Älä käytä painepesuria helposti syttyvien nesteiden tai kaasujen läheisyydessä. Se saattaa johtaa tulipaloon tai räjähdykseen.
- Älä käytä painepesuria, jos paineletku, virtajohto, virtakytkin tai jokin muu osa on vioittunut.
- Jos käytetään jatkojohtoa, sen tulee sopia ulkokäyttöön ja siinä tulee olla vesitiivis pistoke ja pistorasia. Vääränlaisen jatkojohdon käyttäminen lisää onnettomuusriskiä.
- Käyttäjä on itse vastuussa onnettomuuksista ja muille ihmisille tai omaisuudelle aiheutuvista vahingoista.
- Säilytä painepesuria kuivassa tilassa lasten ulottumattomissa.
- Käsittele painepesuria ja tarvikkeita varoen. Pidä kaikki osat puhtaina varmistaaksesi turvallisen ja tehokkaan käytön.
- Varmista, että pistorasian jännite on 230 V AC.
- Sähköiskun välttämiseksi tulee aina ennen käyttöä varmistaa, että painepesuri, virtajohto ja pistoke eivät ole vahingoittuneet.
- Viallisia johtoja, liittimiä ja pistokkeita ei saa korvata osilla, jotka eivät täytä voimassa olevia vaatimuksia. Jos virtajohto vahingoittuu, irrota pistoke välittömästi pistorasiasta.
- Älä käytä painepesuria, jos virtakytkin on vioittunut. Vain valtuutettu huoltoliike saa vaihtaa virtakytkimen.
- Älä ylikuormita painepesuria. Käytä painepesuria vain sille sopivaan tarkoitukseen.

## Laitteen varoitusmerkkien selitykset

### Tärkeää!

Painepesurissa on varoitussymboleita, joissa on tärkeää tietoa ja painepesurin käyttöohjeita.



Lue koko käyttöohje ennen painepesurin käyttöä. Lue erityisen tarkasti kohdat, joissa on varoitussymboli tai varoitusteksti.



### Varoitus!

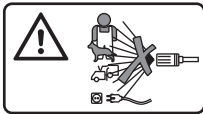
Tämä on varoitussymboli, jota käytetään käyttöohjeen kaikissa kohdissa, joissa on loukkaantumisvaara. Lue erityisen tarkasti nämä kohdat ja mieti ajatuksella, mitä varoitus koskee.



Käytä aina kuulosuojainta ja suojalaseja tai visiiriä.



Irrota virtajohdon pistoke pistorasiasta aina, jos virtajohto on vahingoittunut. Irrota virtajohdon pistoke pistorasiasta aina, jos jätät painepesurin ilman valvontaa.



**Varoitus:** Painepesuri voi olla vaarallinen väärin käytettynä. Älä suuntaa vesisuihkua itseäsi, muita ihmisiä, eläimiä, painepesuria tai muita sähkölaitteita kohti.



Painepesuria ei saa liittää juomavesijärjestelmään tai vastaavaan. Jos kuitenkin otat vettä juomavesijärjestelmästä, tulee käyttää normin IEC 61770 täyttävää takaiskuventtiiliä ja letkua.

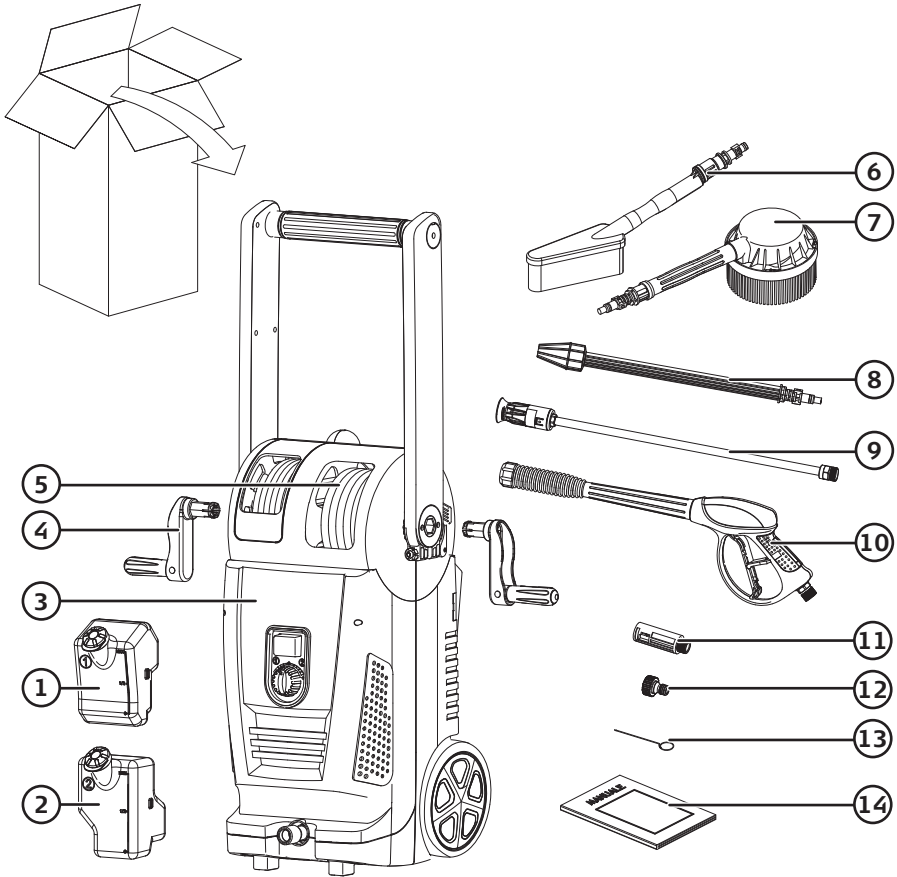
## Käyttöalueet

- Painepesuri on tarkoitettu seuraavien kohteiden puhdistukseen: seinät, terassit, autot, ruohonleikkurit, polkupyörät ym. Painepesurissa voi käyttää tarvittaessa siihen soveltuvaa pesuainetta.
- Painepesuri on tarkoitettu ulkokäyttöön seuraavien materiaalien puhdistukseen: kivi, puu, metalli ja muovi.
- Painepesuri on tarkoitettu vain yksityiskäyttöön. Sitä ei ole tarkoitettu ammattikäyttöön.
- Painepesuria saa käyttää vain käyttöohjeen ohjeiden mukaisesti.

**Varoitus!** Lue huolellisesti koko käyttöohje ennen painepesurin käyttöä. Kiinnitä erityistä huomiota varoitusteksteihin. Painepesurissa on useita toimintoja, jotka helpottavat ja nopeuttavat työskentelyäsi. Turvallisuus, tehokkuus ja laatu ovat ohjanneet tämän painepesurin kehitystyötä. Painepesuri on myös helppokäyttöinen, ja se vaatii erittäin vähän huoltoa.



# Kuvaus



1. Pesuainesäiliö 1
2. Pesuainesäiliö 2
3. Painepesuri
4. Kampi (x 2)
5. Paineletku
6. Harja
7. Pyörivä pesuharja
8. Turbosuihkuputki

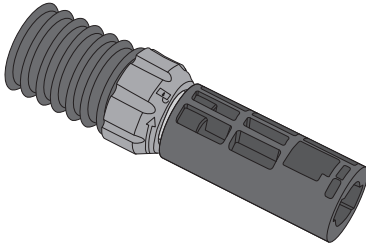
9. Normaali suihkuputki, jossa säädettävä suutin
10. Käsikahva jossa lukkomutteri (10-B)
11. Suihkuputken sovitin
12. Tulevan veden liitäntä
13. Puhdistusneula, takana pesuainesäiliön vieressä
14. Käyttöohje

# Asentaminen

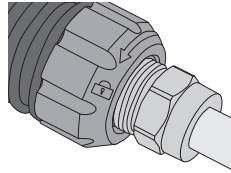
Varmista, että kaikki osat ovat mukana ja että ne ovat ehjiä.

**Varoitus!** Sammuta painepesuri ja irrota pistoke pistorasiasta ennen huoltoa ja säätöä. Varmista ennen asennusta, että pistoketta ei ole liitetty pistorasiaan.

1. Taita kahva ylös (kuva 1). Avaa epäkeskolukko ja taita kahva ylös.
2. Lukitse kahva (kuva 2). Asenna kahva haluamaasi asentoon ja lukitse epäkeskolukko.
3. Asenna kammet (kuva 3). Paina molemmat kammet kiinni.
4. Kierrä paineletku kiinni käsikahvaan (kuva 4).
5. Asenna normaali suihkuputki käsikahvaan (kuva 5).



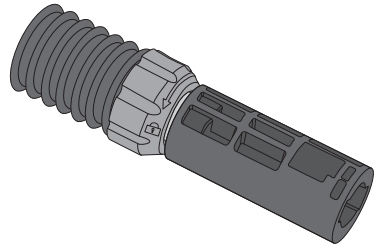
Irrota suihkuputken sovitin (11) käsikahvasta (jos se on asennettu). Kierrä lukkomutteria (10-B) myötäpäivään (nuoli kohti avointa lukkoa).



Lukitse suihkuputki painamalla normaali suihkuputki käsikahvaan ja kiertämällä lukkomutteria vastapäivään (nuoli kohti lukossa olevaa lukkoa).

6. Asenna turbosuihkuputki tai muu tarvike käsikahvaan (kuva 6).

1. Irrota normaali suihkuputki (9) käsikahvasta (jos se on asennettu). Kierrä lukkomutteria myötäpäivään (nuoli kohti avointa lukkoa).
2. Asenna suihkuputken sovitin (11) käsikahvaan ja kierrä lukkomutteria vastapäivään (10-B) (nuoli kohti lukossa olevaa lukkoa).
3. Paina tarvike suihkuputken sovittimen bajonettilukitukseen ja kierrä sitä neljäosakerros myötäpäivään, kunnes se lukittuu. Tämä tulee tehdä ennen painepesurin käyttämistä.



**Varoitus!** Varmista, että tarvike on kunnolla kiinni kahvassa, muuten se saattaa lentää voimalla, kun painepesuri käynnistetään.

7. Asenna terassipesuri (kuva 7). **Huom.!** Myydään erikseen.
  - Suihkuputken sovittimen (11) tulee olla asennettuna käsikahvaan.
  - Paina tarvike suihkuputken sovittimen bajonettilukitukseen ja kierrä sitä neljäosakierros myötäpäivään, kunnes se lukittuu. Tämä tulee tehdä ennen painepesurin käyttämistä. Terassipesuria käytetään yhdessä suihkuputken jatko-osan kanssa.
  - **Varoitus!** Varmista, että tarvike on kunnolla kiinni kahvassa, muuten se saattaa lentää voimalla, kun painepesuri käynnistetään.
8. Asenna tarvike (harja) (kuva 8).
  - Suihkuputken sovittimen (11) tulee olla asennettuna käsikahvaan.
  - Paina tarvike suihkuputken sovittimen bajonettilukitukseen ja kierrä sitä neljäosakierros myötäpäivään, kunnes se lukittuu. Tämä tulee tehdä ennen painepesurin käyttämistä.
  - **Varoitus!** Varmista, että tarvike on kunnolla kiinni kahvassa, muuten se saattaa lentää voimalla, kun painepesuri käynnistetään.
9. Asenna tuloveden liitäntä (kuva 9). Kierrä liitäntänippa paikalleen. Älä kiristä liikaa. Kiristä vain käsin.
10. Liitä tulovesiletku (kuva 10). Asenna pikaliitin (myydään erikseen) puutarhaletkuun (myydään erikseen) ja paina pikaliitin liitäntänippaan.
11. Liitä letku vesihanaan (kuva 11).
  - Liitä puutarhaletku (myydään erikseen) vesihanaan.
  - **Varoitus!** Tulevan veden lämpötila ei saa olla yli 40 °C. Valuta letku tyhjäksi, jos vesi on lämmennyt auringossa. Painepesuria tulee käyttää pystyasennossa, älä käytä sitä vaakatasossa.
12. Paina virtakytkimen **0**-painiketta (kuva 12). Painepesurin tulee olla sammutettu.
13. Liitä virtajohdon pistoke pistorasiaan (kuva 13).
14. Anna veden valua suihkuputken läpi (kuva 14). Paina liipaisinta ja päästä pois mahdollinen ilma, kunnes suihkuputkesta tulee pelkkää vettä.

## Käyttö

15. Käynnistä painepesuri (kuva 15).
  - Vedä paineletkua ulos riittävän paljon.
  - Käynnistä painepesuri painamalla virtakytkimen vihreää painiketta. Suuntaa suihkuputki vaarattomaan suuntaan.
  - Jos vettä otetaan säiliöstä tms., jossa ei ole painetta, pumppu ja tuloletku tulee täyttää vedellä ennen pumpun käynnistämistä. Säiliön tulee olla korkeammalla kuin painepesuri. Jos vesi on likaista tai sameaa, tulee letkun sisääntulossa käyttää suodatinta.

### Painepesurin sammuttaminen

- Sammuta painepesuri painamalla virtakytkimen punaista painiketta.
- Sulje vesihana.
- Poista pumpussa ja letkussa oleva paine painamalla liipaisinta muutaman sekunnin ajan tai niin pitkään, kun suuttimesta tulee vettä.
- Irrota pistoke pistorasiasta.
- Lukitse liipaisin taittamalla liipaisimen lukitusta taaksepäin.
- Kierrä letku ja virtajohto lenkille.

**Varoitus!** Hajoamisvaara. Painepesuria ei saa käyttää kuivana (ilman vettä), sillä se saattaa vahingoittaa pumppua. Jos vedessä on epäpuhtauksia, painepesurin tuloveteen tulee asentaa suodatin, muuten pumppu saattaa vahingoittua.

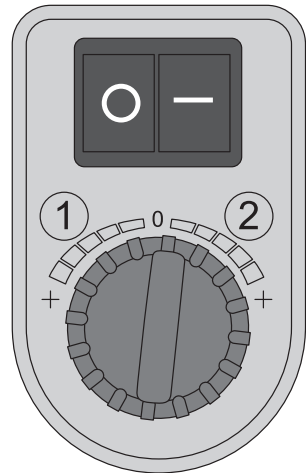
16. Käsikahvassa on lukitus, joka estää painamasta liipaisinta vahingossa (kuva 16). Lukitse liipaisin taittamalla lukitus ulospäin. Poista liipaisimen lukitus taittamalla lukitus sisäänpäin.

17. Pesuaineen käyttäminen (kuva 17).

- Lukitse liipaisin taittamalla liipaisimen lukitusta taaksepäin. Avaa pesuainesäiliöiden kannet.
- Täytä pesuainesäiliöt paikallaan tai vedä niitä esille ja täytä ne pesuaineella. Älä vedä pesuainesäiliöitä niin pitkälle, että pesuaineletku irtoaa. Paina kannet kiinni.
- Paina pesuainesäiliöt kiinni (jos olet vetänyt niitä esille).

Valitse pesuainesäiliö 1 tai 2 ja pesuainemäärä virtakytkimen alla olevalla vivulla.

- Asetukset: täysin vastapäivään = Suurin pesuainemäärä pesuainesäiliöstä 1.
- Asetus: täysin myötäpäivään = Suurin pesuainemäärä pesuainesäiliöstä 2.
- Vipu suoraan ylhäällä (0) = Ei pesuainetta.



18. Jos käytät pesuainetta, suihkuputki tulee säätää alhaiselle paineelle (kuva 18).  
**Huom.!** Painepesurista tulee pesuainetta vain, kun suihkuputki on säädetty alhaiselle paineelle.
- Pesuaine: Vähennä painetta vetämällä suutinta ulospäin (koskee vain normaalia suihkuputkea).
  - Ei pesuainetta: Lisää painetta vetämällä suutinta sisäänpäin (koskee vain normaalia suihkuputkea).
19. Säädä vesisuihkun leveys suuttimella (koskee vain normaalia suihkuputkea) (kuva 19).
- Suuntaa suihkuputki kohti puhdistettavaa pintaa, käynnistä painepesuri ja paina liipaisinta.
  - Säädä vesisuihkun leveyttä kiertämällä suutinta myötä- tai vastapäivään.
20. Tuloveden suodattimen tarkistaminen/puhdistaminen (kuva 20).
- Tulevan veden liitännään kuuluu tehdasasetuksena suodatin, joka poistaa hiekkaa ja muita epäpuhtauksia, jotka saattavat vaurioittaa pumpun venttiilejä.
  - Kierrä liitäntä auki ja huuhtelee suodatin takapuolelta vesihanana alla.
21. Puhdista suutin (kuva 21).
- Puhdista suutin tarvittaessa mukana tulevalla puhdistusneulalla.
  - Puhdistusneula on kumitiivisteessä pesuanesäiliöiden yläpuolella.

## Käyttövinkkejä

**Huom.!** Suuttimen ja pestävän pinnan välinen suositeltava etäisyys on noin 30 cm. Pienempi etäisyys tekee pesusta tehokkaampaa, mutta saattaa vahingoittaa pestävää pintaa. Suurempi etäisyys takaa hellävaraisemman pesun herkille pinnoille.

- Älä vedä virtajohtoa esim. ajotien tai pyörätien yli.  
**Varoitus!** Älä käytä alle 6 metrin (1/2”):n letkua. Letku vastaanottaa mahdolliset paineenvaihtelut ja suojelee painepesuria ja tekee työskentelystä pehmeämpää.  
**Varoitus!** Kun suihkuputkesta tulee vettä, muodostuu rekyyliä. Pidä kiinni kunnolla molemmilla käsillä.
- Älä suuntaa vesisuihkua itseäsi, muita ihmisiä, eläimiä, painepesuria tai muita sähkölaitteita kohti.
- Käytä suojalaseja, sillä vesi ja muut hiukkaset voivat kimmota sinua kohti, kun suuntaat vesisuihkun pestävään pintaan.  
**Varoitus!** Sammuta painepesuri ja irrota pistoke, jos pidät tauon.  
 Älä jätä painepesuria päälle ilman valvontaa.

## Huolto ja puhdistaminen

**Varoitus!** Sammuta painepesuri ja irrota pistoke pistorasiasta ennen huoltoa ja säätöä.

- Tuloveden suodattimen puhdistaminen on erittäin tärkeää painepesurin moitteettoman toiminnan varmistamiseksi. Tuloveden suodatin pitää irrottaa ja puhdistaa, jotta veden epäpuhtaudet eivät vahingoita tiivisteitä ja pumppua. Puhdista suutin säännöllisesti.
- Tarkista, että suutin on auki, poista varoen liika ja kerrostumat ja huuhtele puhtaalla vedellä!
- Suojaa painepesuri pakkaselta. Tyhjennä se kokonaan\* ja irrota paineletku. Säilytä painepesuria kuivassa paikassa talven yli. **Huom.!** Takuu ei kata pakkasen aiheuttamia vaurioita!

\* Tyhjennä pumppu kokonaan käynnistämällä pumppu ja painamalla samalla liipaisinta tai siten, että paineletku on irrotettu ja antamalla pumpun käydä noin 30 sekuntia.

## Säilytys

- Säilytä painepesuria kuivassa paikassa ulottumattomissa lapsilta ja henkilöiltä, jotka eivät ole lukeneet käyttöohjetta. Irrota letku ja suihkuputki ja säilytä ne painepesurin yhteydessä. Painepesurin paras säilytyslämpötila on 5 ... 40 °C. **Huom.!** Suojaa painepesuri pakkaselta. Varmista että se on täysin tyhjä, ennen kuin asetat sen säilytykseen.
- **Varoitus!** Älä käytä painepesuria kuivana, pumpun tiivisteet saattavat vahingoittua.
- Ota huomioon, että painepesurissa voi olla painetta, vaikka se on sammutettu. Poista paine painepesurista painamalla liipaisimesta ennen letkujen irrottamista. Letkun irrottaminen painepesurista saattaa olla vaarallista, mikäli pesurissa on painetta.
- Uusia suuttimia voi ostaa tavarantoimittajalta.
- **Varoitus!** Älä katso suoraan suuttimeen sen ollessa asennettuna painepesuriin.

## Vianetsintä

### Laite ei käynnisty

- Onko pistoke pistorasiassa, onko pistorasiassa virtaa, onko sulake ehjä?
- Painepesurissa on painetta, paina liipaisinta.
- Viallinen pistoke/pistorasia.
- Viallinen jatkojohto. Kokeile ilman jatkojohtoa.
- Väärä jännite, tarkista.
- Virtakytkin on asennossa **0**. Paina vihreää painiketta.

## Pumpun paine on liian alhainen

- Suutin on tukossa tai kulunut, puhdista tai vaihda.
- Huono veden tulo, tarkista: Letkun tulee täyttää 10-litrainen ämpäri minuutissa.
- Letku voi olla taipunut, tarkista ja suorista.
- Tulosuodatin voi olla tukossa, tarkista ja puhdista tarvittaessa.
- Vesiletku on tukossa tai vuotaa. Tarkista.

## Pumppu vuotaa

- Letkun liitinnippaa ei ole kiristetty.

## Pumppu pysähtyy

- Sulake on palanut, tarkista.
- Liian pitkä jatkojohto. Kokeile ilman jatkojohtoa.
- Huonon vedentulon aiheuttama ylikuumentuminen, tuloveden suodatin voi olla tukossa. Tarkista vedentulo: Letkun tulee täyttää 10-litrainen ämpäri minuutissa.

## Suuttimesta tulee vähän tai ei ollenkaan vettä

- Pumppu ei ime vettä, paina liipaisinta ja päästä mahdollinen ilma ulos ja tarkista, että imuletkussa on vettä. Painepesuria tulee käyttää pystyasennossa, älä käytä sitä vaakatasossa.
- Likainen suutin, puhdista.
- Tulo- tai poistoventtiili on vioittunut, vaihda.

## Liipaisinta ei voi painaa

- Turvalukitsin on aktivoitu, vapauta lukitus painamalla sitä alaspäin.

## Kierrättäminen

Tämä symboli tarkoittaa, että tuotetta ei saa laittaa kotitalousjätteen sekaan. Ohje koskee koko EU-aluetta. Virheellisestä kierrättämisestä johtuvien mahdollisten ympäristö- ja terveyshaittojen ehkäisemiseksi tuote tulee viedä kierrätettäväksi, jotta materiaali voidaan käsitellä vastuullisella tavalla. Kierrätä tuote käyttämällä paikallisia kierrätysjärjestelmiä tai ota yhteys ostopaikkaan. Ostopaikassa tuote kierrätetään vastuullisella tavalla.



## Tekniset tiedot

Nimellisjännite	230 V AC, 50 Hz
Teho	2300 W
Veden suurin tulopaine	6 baaria (0,6 Mpa)
Työskentelypaine	100 baaria (10 Mpa)
Suurin sallittu paine	150 baaria (15 Mpa)
Vedenkulutus	6,7 litraa minuutissa
Vedenkulutus enintään	7,7 litraa minuutissa
Letku	8 m
Korkein sallittu veden lämpötila	40 °C
Paino	23 kg
Kotelointiluokka	IPX5
Äänenpainetaso (LpA)	80 dB(A), KpA: 3 dB
Melutaso (LWAd)	90 dB(A)
Tärinäarvo	2,5 m/s <sup>2</sup> , K=1,5 m/s <sup>2</sup>
Rekyylivoima	< 20 N



# Hochdruckreiniger

Art.Nr. 40-9909 Modell 150C EPW

Vor Inbetriebnahme die Bedienungsanleitung vollständig durchlesen und für künftigen Gebrauch aufbewahren. Irrtümer, Abweichungen und Änderungen behalten wir uns vor. Bei technischen Problemen oder anderen Fragen freut sich unser Kundenservice über eine Kontaktaufnahme.

## Inhaltsverzeichnis

<b>Sicherheitshinweise .....</b>	<b>66</b>
Allgemeine Sicherheitshinweise.....	66
Spezielle Sicherheitshinweise.....	68
Erläuterung der Warnzeichen auf der Maschine .....	70
<b>Einsatzbereich .....</b>	<b>70</b>
<b>Beschreibung .....</b>	<b>71</b>
<b>Zusammenbau .....</b>	<b>72</b>
<b>Gebrauch .....</b>	<b>74</b>
Hinweise zur Benutzung.....	76
<b>Pflege und Wartung.....</b>	<b>76</b>
Aufbewahrung .....	77
<b>Fehlersuche .....</b>	<b>77</b>
<b>Hinweise zur Entsorgung.....</b>	<b>78</b>
<b>Technische Daten .....</b>	<b>78</b>

# Sicherheitshinweise

## Allgemeine Sicherheitshinweise

- Vor Benutzung unbedingt die Sicherheitshinweise durchlesen.
- Den Wasserstrahl niemals auf sich selbst oder auf andere Personen richten. Verletzungsgefahr, der Wasserstrahl kann die Haut durchdringen.
- Die Steckdose, an die der Hochdruckreiniger angeschlossen wird, muss von einem qualifizierten Fachmann gemäß der Norm IEC 60364-1 installiert sein.
- Das Gerät muss mit einer Fehlerstrom-Schutzeinrichtung an das Stromnetz angeschlossen werden (Auslösestrom max. 30 mA in max. 30 ms).
- **Warnung!** Nur für Hochdruckreiniger vorgesehene Reinigungsmittel benutzen, andere Reinigungsmittel und Chemikalien können das Gerät beschädigen oder Personenschäden verursachen.
- Das Gerät nicht verwenden, wenn sich Personen ohne Schutzkleidung und Schutzbrille in der Nähe befinden.
- Hochdruckreiniger können gefährlich sein, wenn sie falsch angewendet werden. Den Wasserstrahl niemals auf Menschen oder Tiere, auf den Hochdruckreiniger oder andere Elektroausrüstung richten.
- Vor Service und Wartung immer den Netzstecker aus der Steckdose ziehen.
- Der Hochdruckreiniger darf nicht von Minderjährigen oder Personen, die mit der Maschine nicht vertraut sind, benutzt werden.
- Für die eigene Sicherheit bei der Reparatur nur Originalteile verwenden.
- **Warnung!** Hochdruckschläuche, Kupplungen und Zubehör sind wichtige Sicherheitskomponenten, daher nur Zubehör oder Ersatzteile verwenden, die vom Hersteller empfohlen wurden.

- Das Gerät nicht benutzen, wenn das Netzkabel oder andere wichtige Teile beschädigt sind: Sicherheitsvorrichtung, Hochdruckschlauch, Lanze, Pistolengriff usw.
- Bei Benutzung eines Verlängerungskabels muss dieses mit einem wasserdichten Stecker und einer wasserdichten Kupplung ausgestattet sowie für einen Gebrauch im Freien vorgesehen sein.
- **Warnung!** Defekte Verlängerungskabel können gefährlich sein.
- Besonders auf das Vermeiden von Unfallgefahren achten, wenn der Hochdruckreiniger in der Nähe von Kindern benutzt wird.
- Mit der Funktionsweise des Hochdruckreinigers vertraut machen, um diesen stoppen und drucklos machen zu können.
- Aufmerksam und bedacht arbeiten.
- Das Gerät niemals bei Müdigkeit oder unter dem Einfluss von Drogen, Alkohol oder Medikamenten benutzen.
- Den Arbeitsbereich frei von Zuschauern und Haustieren halten.
- Nicht zu weit vorstrecken und immer auf einem stabilen Untergrund stehen. Stets mit beiden Füßen fest auf dem Boden und im Gleichgewicht stehen.
- Alle Anweisungen zu Service und Wartung beachten, die in der Bedienungsanleitung enthalten sind.
- Stets Schutzkleidung und einen Augenschutz tragen. Einen Gehörschutz tragen, Steine und andere kleine Gegenstände können vom Wasserstrahl weggeschleudert werden.
- **Warnung!** Das Gerät darf nicht an eine Trinkwasserquelle oder ähnliches angeschlossen werden. Wird dies trotzdem getan, müssen Rückschlagventil und Schlauch die Norm IEC 61770 erfüllen.
- Das Gerät darf nicht von Kindern und Personen mit eingeschränkten physischen, sensorischen oder geistigen Fähigkeiten bzw. mangelnder Erfahrung/mangelndem Wissen benutzt werden. In einem solchen Fall soll diese Person von einer für ihre Sicherheit verantwortliche Person über die Funktionsweise des Gerätes unterrichtet und überwacht werden.

- Kinder stets unter Aufsicht halten, das Gerät ist kein Spielzeug.
- Defekte Netzkabel und Schalter müssen immer von einem Fachmann ausgewechselt werden um Verletzungen zu vermeiden.
- Wasser, das durch die Rückschlagventile des Hochdruckreinigers gelaufen sind, ist nicht mehr als Trinkwasser geeignet.

### **Spezielle Sicherheitshinweise**

Diese Bedienungsanleitung aufbewahren und mitgeben, falls das Gerät an andere Personen ausgeliehen wird.

- Stets sicherstellen, dass das ausgeschaltete Gerät nicht aus Versehen starten kann.
- Das Gerät niemals umbauen oder auf andere Weise modifizieren und keine Teile verwenden, die nicht vom Hersteller zugelassen wurden.
- Ausschließlich vom Hersteller empfohlene Schläuche und Anschlüsse benutzen.
- Das Gerät niemals am Anschlusskabel oder am Schlauch tragen. Das Gerät niemals am Schalter tragen, wenn das Kabel an eine Steckdose angeschlossen ist.
- Bei Nichtbenutzung, beim Transport oder wenn sich das Gerät außer Sichtweite befindet, stets den Stecker ziehen. Vor Kontrolle, Reinigung und Wechsel von Zubehör den Stecker abziehen. Ist das Verlängerungskabel oder das Anschlusskabel auf irgendeine Weise beschädigt, das Gerät vom Strom trennen. Beginnt das Gerät stark zu vibrieren, den Stecker aus der Steckdose ziehen.
- Niemals versuchen, das Gerät oder dazugehöriges Zubehör selbst zu reparieren. Reparaturen unbedingt qualifizierten Servicetechnikern überlassen.
- Das Gerät nicht in der Nähe von leicht entzündlichen Flüssigkeiten oder Gasen verwenden. Dies kann zu Bränden oder Explosionen führen.

- Das Gerät nicht benutzen, wenn Hochdruckschlauch, Anschlusskabel, Stromschalter oder ein anderes Teil beschädigt ist.
- Bei Benutzung eines Verlängerungskabels muss dieses mit einem wasserdichten Stecker und einer wasserdichten Kupplung ausgestattet sowie für einen Gebrauch im Freien vorgesehen sein. Die Benutzung des falschen Verlängerungskabels kann gefährlich sein.
- Der Benutzer ist stets verantwortlich für Unfälle und Beschädigungen, die andere Menschen oder deren Eigentum betreffen.
- Das Gerät in einem trockenen Raum und außerhalb der Reichweite von Kindern aufbewahren.
- Das Gerät und dessen Zubehör achtsam behandeln. Für eine sichere und effektive Benutzung alle Teile sauber halten.
- Sicherstellen, dass die Netzspannung an der Steckdose 230 V AC beträgt.
- Vor dem Einsatz immer sicherstellen, dass der Hochdruckreiniger, das Anschlusskabel und der Stecker unbeschädigt sind, um Stromschläge zu verhindern.
- Beschädigte Kabel, Kupplungen und Stecker dürfen nur mit Teilen ersetzt werden, die geltende Normen erfüllen. Sofort den Stecker aus der Steckdose ziehen, wenn das Anschlusskabel auf irgendeine Weise beschädigt wurde.
- Das Gerät niemals mit beschädigtem Hochdruckschlauch benutzen und den Schlauch sofort von einem qualifizierten Elektriker austauschen lassen.
- Das Gerät nicht überlasten. Das Gerät niemals zweckentfremden.

## Erläuterung der Warnzeichen auf der Maschine

### Wichtig!

Der Hochdruckreiniger ist mit Symbolen versehen, die wichtige Informationen oder Hinweise zur Bedienung des Gerätes enthalten.



Vor der Benutzung die Bedienungsanleitung vollständig durchlesen und vor allem die Abschnitte mit Warnzeichen und Sicherheitshinweisen beachten.



### Warnung:

Dies ist ein Warnzeichen, das in der Bedienungsanleitung an allen Stellen vorkommt, wo ein Risiko für Verletzungen besteht. Diese Abschnitte durchlesen und die Warnungen beachten.



Immer einen Augenschutz und Gehörschutz tragen.



Immer den Stecker von der Steckdose abziehen, wenn das Anschlusskabel auf irgendeine Weise beschädigt ist. Immer den Stecker des Netzkabels aus der Steckdose ziehen, wenn das Gerät auch nur für eine kurze Weile unbeaufsichtigt ist.



**Warnung!** Hochdruckreiniger können gefährlich sein, wenn sie falsch angewendet werden. Niemals den Wasserstrahl auf Menschen oder Tiere richten, gegen den Hochdruckreiniger oder andere elektrische Ausrüstung.



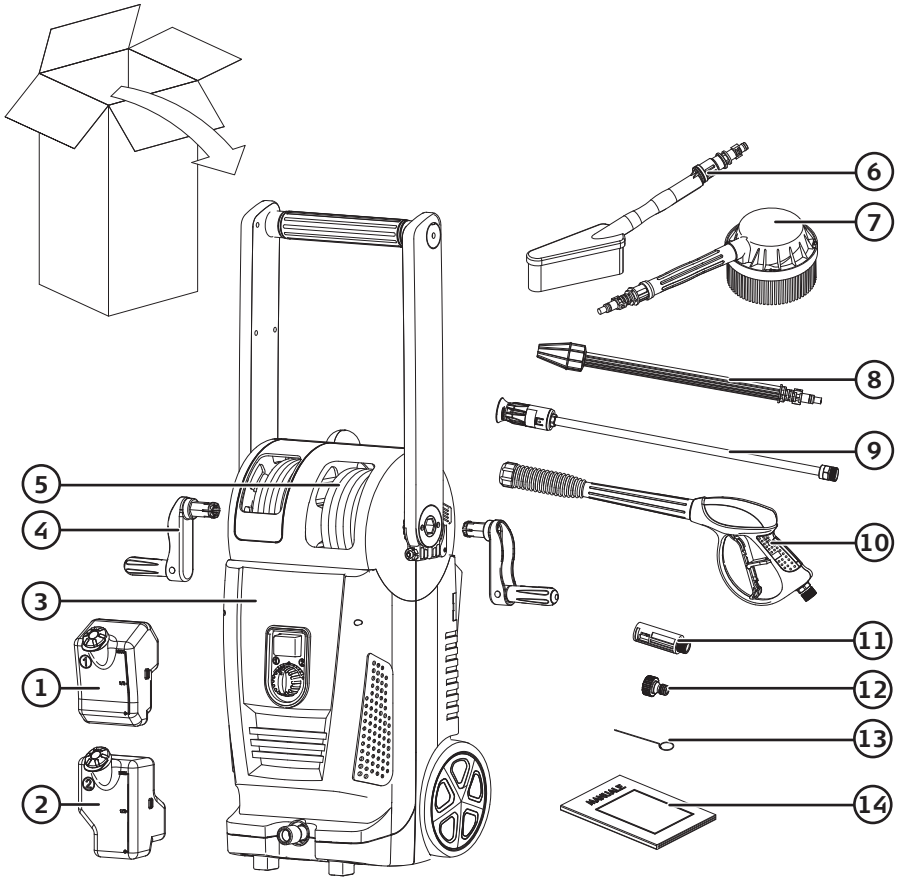
Das Gerät darf nicht an eine Trinkwasserquelle oder ähnliches angeschlossen werden. Wird dies trotzdem getan, müssen Rückschlagventil und Schlauch die Norm IEC 61770 erfüllen.

## Einsatzbereich

- Das Gerät ist zur Reinigung von Folgendem vorgesehen: Wände, Terrassen, Autos, Rasenmäher, Fahrrädern usw.
- Das Gerät ist für das Reinigen von Stein, Holz, Metall und Kunststoff im Freien vorgesehen.
- Das Gerät ist nur für den privaten Gebrauch und nicht für eine unternehmerische Anwendung vorgesehen
- Das Gerät niemals zweckentfremden.

**Warnung:** Die Bedienungsanleitung vor dem Gebrauch des Hochdruckreinigers sorgfältig durchlesen, besonders die Warntexte. Dieser Hochdruckreiniger hat viele Funktionen, die die Arbeit schneller und leichter machen. Sicherheit, Effizienz und Qualität stehen bei diesem Hochdruckreiniger im Fokus, er ist leicht anzuwenden und bedarf nur minimaler Wartung.

# Beschreibung



- 1. Reinigungsmittelbehälter 1
- 2. Reinigungsmittelbehälter 2
- 3. Hochdruckreiniger
- 4. Kurbel (× 2)
- 5. Hochdruckschlauch
- 6. Bürste
- 7. Rotierende Waschbürste
- 8. Turbolanze

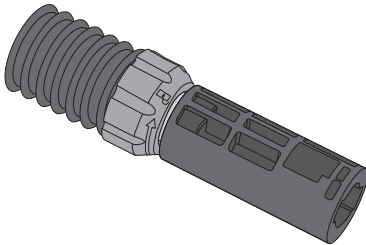
- 9. Standardlanze mit verstellbarer Düse
- 10. Pistolengriff mit Sicherungsmutter (10-B)
- 11. Lanzenadapter
- 12. Anschluss für Wasserzulauf
- 13. Reinigungsnadel, auf der Rückseite neben dem Waschmittelbehälter
- 14. Bedienungsanleitung

# Zusammenbau

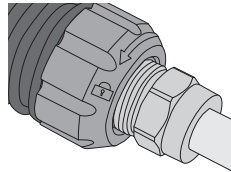
Sicherstellen, dass bei Lieferung alle Teile unbeschädigt sind und die Verpackung alle Teile enthält.

**Warnung:** Das Gerät bei Service und Wartung ausschalten und Stecker aus der Steckdose ziehen. Vor der Montage sicherstellen, dass der Netzstecker NICHT an eine Steckdose angeschlossen ist.

1. Den Griff nach oben klappen (Abb. 1). Die Spannverschlüsse öffnen und den Griff herausklappen.
2. Den Griff verriegeln (Abb. 2). Den Griff in die gewünschte Stellung bringen und die Spannverschlüsse schließen.
3. Die Kurbeln anbringen (Abb. 3). Die beiden Kurbeln andrücken.
4. Den Hochdruckschlauch am Pistolengriff festschrauben (Abb. 4).
5. Die Standardlanze am Pistolengriff befestigen (Abb. 5).

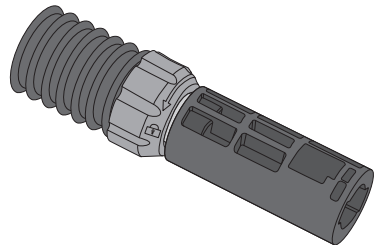


Den Lanzenadapter (11) entfernen (falls dieser montiert ist). Die Sicherungsmutter (10-B) im Uhrzeigersinn drehen (Pfeil zum offenen Schloss).



Um die Standardlanze zu verriegeln, diese an den Pistolengriff halten und die Sicherungsmutter gegen den Uhrzeigersinn drehen (Pfeil zum geschlossenen Schloss).

6. Die Turbolanze oder ein anderes Zubehör am Pistolengriff befestigen (Abb. 6).
  1. Die Standardlanze (9) vom Pistolengriff entfernen (falls diese montiert ist). Die Sicherungsmutter im Uhrzeigersinn drehen (Pfeil zum offenen Schloss).
  2. Den Lanzenadapter (11) am Pistolengriff anbringen und die Sicherungsmutter gegen den Uhrzeigersinn drehen (10-B) (Pfeil zum geschlossenen Schloss).
  3. Das Zubehör in die Bajonettkupplung am Lanzenadapter drücken und eine  $\frac{1}{4}$ -Drehung im Uhrzeigersinn drehen bis es einrastet. Dies durchführen, bevor das Gerät in Betrieb genommen wird.



**Warnung:** Sicherstellen, dass das Zubehör fest im Pistolengriff sitzt. Andernfalls kann es mit großer Kraft vom Griff weggeschleudert werden, wenn das Gerät gestartet wird.



7. Den Terrassenreiniger anbringen (Abb. 7). **Hinweis:** Separat erhältlich.
  - Der Lanzenadapter (11) muss dafür am Pistolengriff angebracht sein.
  - Das Zubehör in die Bajonettkupplung am Lanzenadapter drücken und eine ¼-Drehung im Uhrzeigersinn drehen bis es einrastet. Dies durchführen, bevor das Gerät in Betrieb genommen wird. Der Terrassenreiniger wird zusammen mit der Verlängerung für die Lanze benutzt.
  - **Warnung!** Sicherstellen, dass das Zubehör fest im Pistolengriff sitzt. Andernfalls kann es mit großer Kraft vom Griff weggeschleudert werden, wenn das Gerät gestartet wird.
8. Zubehöre (Bürsten) anbringen (Abb. 8).
  - Der Lanzenadapter (11) muss dafür am Pistolengriff angebracht sein.
  - Das Zubehör in die Bajonettkupplung am Lanzenadapter drücken und eine ¼-Drehung im Uhrzeigersinn drehen bis es einrastet. Dies durchführen, bevor das Gerät in Betrieb genommen wird.
  - **Warnung:** Sicherstellen, dass das Zubehör fest im Pistolengriff sitzt. Andernfalls kann es mit großer Kraft vom Griff weggeschleudert werden, wenn das Gerät gestartet wird.
9. Den Anschluss für den Wasserzulauf montieren (Abb. 9). Den Anschlussnippel festschrauben. Nicht zu hart anziehen, nur mit Handkraft.
10. Einen Schlauch für den Wasserzulauf anschließen (Abb. 10). Eine Schnellkupplung (separat erhältlich) am Schlauch (separat erhältlich) montieren und dann auf den Anschluss am Gerät drücken (8).
11. Den Schlauch an einen Wasserhahn anschließen (Abb. 11).
  - Den Gartenschlauch (separat erhältlich) an einen Wasserhahn anschließen.
  - **Warnung:** Die Temperatur des zugeführten Wassers darf nicht höher als 40 °C sein. Wenn der Schlauch in der Sonne gelegen und sich dadurch erwärmt hat, das Wasser vor dem Start erst eine Weile laufen lassen. Das Gerät immer in aufrechter/vertikaler Stellung verwenden, nicht liegend.
12. Die **0**-Taste am Stromschalter drücken (Abb. 12). Der Hochdruckreiniger muss ausgeschaltet sein.
13. Den Stecker an eine Steckdose anschließen (Abb. 13).
14. Das Wasser durch die Lanze laufen lassen (Abb. 14). Den Abzug gedrückt halten und ggf. Luft ablassen, bis Wasser kommt.

# Gebrauch

## 15. Das Gerät starten (Abb. 15).

- Den Hochdruckschlauch in der benötigten Länge ausziehen.
- Anschließend auf den grünen Knopf des Stromschalters drücken, um den Hochdruckreiniger zu starten. Die Lanze in eine ungefährliche Richtung halten.
- Wenn das Wasser aus einem Tank o. ä. ohne eigenem Druck stammt, müssen Pumpe und Zulaufschlauch vor Start der Pumpe mit Wasser gefüllt werden. Der Tank muss sich auf einem höheren Niveau befinden als der Hochdruckreiniger. Wenn das Wasser verschmutzt oder trübe ist, muss am Zulauf des Schlauchs ein Zulauffilter montiert werden.

## Das Gerät ausschalten

- Anschließend auf den roten Knopf des Stromschalters drücken, um den Hochdruckreiniger auszuschalten.
- Den Wasserhahn zudrehen.
- Den Druck des Restwassers in Pumpe und Schlauch durch Drücken des Abzugs für einige Sekunden oder solange, wie Wasser aus der Düse läuft, reduzieren.
- Den Stecker aus der Steckdose ziehen.
- Die Sperre am Abzug nach hinten klappen, damit der Abzug verriegelt ist.
- Den Schlauch und das Stromkabel aufwickeln.

**Warnung:** Risiko für Maschinenschäden. Das Gerät niemals trocken (ohne Wasser) betreiben, dadurch kann die Pumpe kaputt gehen. Ist das Wasser schmutzig, muss ein Filter auf zum Zulauf des Gerätes montiert werden, sonst kann die Pumpe Schaden nehmen.

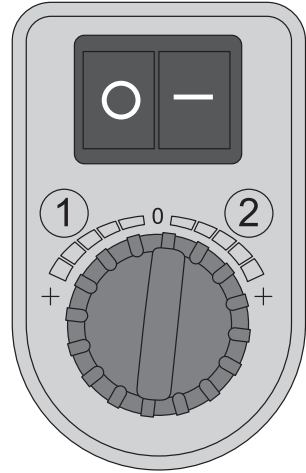
## 16. Der Pistolengriff hat eine Verriegelung gegen unbeabsichtigte Benutzung am Abzug (Abb. 16). Zum Verriegeln des Abzugs die Verriegelung hochklappen und zum Entriegeln wieder herunterklappen.

## 17. Benutzung mit Reinigungsmittel (Abb. 17)

- Die Sperre am Abzug nach hinten klappen, damit der Abzug verriegelt ist. Die Deckel der Reinigungsmittelbehälter öffnen.
- Die Reinigungsmittelbehälter an ihrem Platz mit Reinigungsmittel befüllen oder sie vorher erst vorsichtig etwas herausziehen. Die Reinigungsmittelbehälter nicht soweit herausziehen, dass sich der Reinigungsmittelschlauch löst. Die Deckel fest aufdrücken.
- Die Reinigungsmittelbehälter wieder festdrücken (wenn sie vorher herausgezogen wurden).

Mit dem Drehregler unter dem Stromschalter den Reinigungsmittelbehälter (1 oder 2) und die Reinigungsmittelmenge auswählen.

- Einstellung: vollständig nach links = Größtmögliche Menge Reinigungsmittel von Behälter 1.
- Einstellung: vollständig nach rechts = Größtmögliche Menge Reinigungsmittel von Behälter 2.
- Regler in der Mittelposition (0) = kein Reinigungsmittel.



18. Bei der Benutzung von Reinigungsmittel muss die Lanze auf niedrigen Druck eingestellt sein (Abb. 18). **Hinweis:** Reinigungsmittel wird nur beigelegt, wenn die Lanze auf niedrigen Druck eingestellt ist.

- Reinigungsmittel: Um niedrigen Druck einzustellen, die Düse nach außen ziehen (gilt nur für die Standardlanze).
- Kein Reinigungsmittel: Um hohen Druck einzustellen, die Düse nach innen ziehen (gilt nur für die Standardlanze).

19. Das gewünschte Strahlbild an der Düse einstellen (gilt nur für die Standardlanze) (Abb. 19)

- Die Lanze auf die zu reinigende Oberfläche richten, den Hochdruckreiniger starten und den Abzug ziehen.
- Das Strahlbild einstellen, indem die Düse nach links oder rechts gedreht wird.

20. Kontrolle/Reinigung des Zulauffilters (Abb. 20).

- Der Anschluss für den Wasserzulauf ist ab Werk mit einem Filter zum Herausfiltern von Sand und anderen Verschmutzungen, welche die Pumpenventile beschädigen können, ausgestattet.
- Den Anschluss abschrauben und den Filter von der Rückseite aus unter einem Wasserhahn abspülen.

21. Säubern der Düse (Abb. 21).

- Die Düse bei Bedarf reinigen, dazu die mitgelieferte Reinigungsnadel benutzen.
- Die Reinigungsnadel wird in einer Gummidichtung über den Reinigungsmittelbehältern aufbewahrt.

## Hinweise zur Benutzung

**Hinweis:** Der empfohlene Abstand zwischen Düse und zu reinigender Fläche beträgt etwa 30 cm. Ein kürzerer Abstand erhöht die Reinigungskraft und kann die zu reinigende Fläche beschädigen. Ein größerer Abstand ermöglicht ein sanfteres Reinigen von empfindlichen Flächen.

- Netzkabel nicht über Straßen, Radwege usw. legen, sodass es beschädigt werden kann.  
**Warnung:** Ein Schlauch muss min. 6 m lang sein (1/2" Schlauch), er fängt etwaige Druckstöße in der Wasserleitung auf und schützt den Hochdruckreiniger, sodass dieser sanfter arbeitet.  
**Warnung:** Spritzt das Wasser aus der Lanze, entsteht ein Rückstoßeffect an der Lanze, diese daher immer mit beiden Händen gut festhalten und auf einen stabilen Stand achten.
- Den Wasserstrahl niemals auf Menschen oder Tiere, auf den Hochdruckreiniger oder andere Elektroausrüstung richten.
- Augenschutz tragen, da Wasser und Partikel nach hinten geschleudert werden können, wenn der Strahl auf einen Gegenstand gerichtet wird.  
**Warnung:** Bei längeren Arbeitsunterbrechungen das Gerät ausschalten und Stecker abziehen. Das Gerät nicht ohne Aufsicht eingeschaltet lassen.

## Pflege und Wartung

**Warnung:** Das Gerät bei Service und Wartung ausschalten und Stecker aus der Steckdose ziehen.

- Die Reinigung des Zulauffilters am Anschluss für den Wasserzulauf und der Düse ist für eine einwandfreie Funktion des Hochdruckreinigers wichtig. Den Zulauffilter abnehmen und reinigen um Schäden an Pumpe und Dichtungen durch Verschmutzungen im Wasser zu vermeiden und die Düse regelmäßig saubermachen.
- Sicherstellen, dass die Düse geöffnet ist, vorsichtig Schmutz und Ablagerungen entfernen und mit klarem Wasser ausspülen.
- Das Gerät vor Frost schützen: komplett\* entleeren und den Hochdruckschlauch abnehmen und alles an einem trockenen Ort über Winter aufbewahren.  
**Hinweis:** Die Garantie umfasst keine Frostschäden!

\* Die Pumpe mit gedrücktem Abzug oder abgenommenem Hochdruckschlauch starten und etwa 30 Sekunden laufen lassen, um die Pumpe vollständig zu entleeren.

## Aufbewahrung

- Das Gerät an einem trockenen Platz außerhalb der Reichweite von Kindern und anderen Personen, welche die Bedienungsanleitung nicht gelesen haben, aufbewahren. Schlauch und Lanze demontieren und diese zusammen mit dem Hochdruckreiniger aufbewahren. Dabei Temperaturen unter 5 °C oder über 40 °C vermeiden.  
**Hinweis:** Das Gerät vor Frost schützen. Sicherstellen, dass er vollkommen leer ist, bevor zur Aufbewahrung weggeräumt wird.  
**Warnung:** Das Gerät niemals trocken betreiben. Andernfalls können die Pumpendichtungen beschädigt werden.
- Bitte beachten, dass das Gerät auch im ausgeschalteten Zustand unter Druck stehen kann. Um den Druck zu entfernen, den Abzug drücken, bevor die Schläuche abgenommen werden. Einen Hochdruckschlauch abzunehmen während das System unter Druck steht, kann gefährlich sein.
- Neue Düsen für den Hochdruckreiniger sind beim Lieferanten erhältlich.  
**Warnung:** Niemals zur Düse hin blicken, wenn diese am Hochdruckreiniger montiert ist.

## Fehlersuche

### Das Gerät startet nicht

- Sicherstellen, dass der Stecker in eine Steckdose eingesteckt ist. Überprüfen, ob die Steckdose mit Strom versorgt ist. Die Sicherung überprüfen.
- Hochdruckreiniger unter Druck, Abzug drücken.
- Stecker/Steckdose defekt.
- Verlängerungskabel defekt, ohne Verlängerungskabel versuchen.
- Falsche Spannung, kontrollieren.
- Der Stromschalter steht auf Position **0**. Die grüne Taste drücken.

### Die Pumpe liefert zu wenig Druck

- Düse verstopft/verschlissen, reinigen oder austauschen.
- Schlechte Wasserzufuhr, überprüfen: Mit dem Schlauch muss ein 10-Liter-Eimer innerhalb einer Minute volllaufen.
- Der Schlauch ist evtl. geknickt, überprüfen, den Knick entfernen.
- Der Zulaufilter ist evtl. verstopft, überprüfen und bei Bedarf reinigen.
- Der Wasserschlauch ist verstopft oder undicht, überprüfen.

### Die Pumpe ist undicht

- Der Schlauchkupplungsrippel ist nicht festgezogen.

## Die Pumpe hält an

- Die Sicherung hat ausgelöst, überprüfen.
- Zu langes Verlängerungskabel, ohne Verlängerungskabel testen.
- Überhitzung aufgrund schlechter Wasserversorgung, der Zulaufilter ist evtl. verstopft. Wasserstrom testen: Mit dem Schlauch muss ein 10-Liter-Eimer innerhalb einer Minute volllaufen.

## Aus der Düse kommt kein oder nur wenig Wasser

- Die Pumpe saugt kein Wasser auf, den Abzug drücken und etwaige Luft ablassen. Überprüfen, ob der Saugschlauch mit Wasser gefüllt ist. Das Gerät immer in aufrechter/vertikaler Stellung verwenden, nicht liegend.
- Schmutz in der Düse, reinigen.
- Das Zu- oder Ablaufventil ist beschädigt, austauschen.

## Der Abzug lässt sich nicht drücken

- Die Verriegelung ist aktiviert, diese herunterdrücken um sie zu entriegeln.

## Hinweise zur Entsorgung

Dieses Symbol zeigt an, dass das Produkt nicht gemeinsam mit dem Haushaltsabfall entsorgt werden darf. Dies gilt in der gesamten EU. Um möglichen Schäden für die Umwelt und Gesundheit vorzubeugen, die durch fehlerhafte Abfallentsorgung verursacht werden, dieses Produkt zum verantwortlichen Recycling abgeben um die nachhaltige Wiederverwertung von stofflichen Ressourcen zu fördern. Bei der Abgabe des Produktes bitte die vorhandenen Recycling- und Sammelstationen benutzen oder den Händler kontaktieren. Dieser kann das Produkt auf eine umweltfreundliche Weise recyceln.



## Technische Daten

<b>Nennspannung</b>	230 V AC, 50 Hz
<b>Leistungsaufnahme</b>	2300 W
<b>Max. Zulaufdruck Wasser</b>	6 bar (0,6 Mpa)
<b>Arbeitsdruck</b>	100 bar (10 Mpa)
<b>Max. erlaubter Druck</b>	150 bar (15 Mpa)
<b>Wasserverbrauch</b>	6,7 l/min.
<b>Max. Wasserverbrauch</b>	7,7 l/min.
<b>Schlauch</b>	8 m
<b>Max. Wassertemperatur</b>	40 °C
<b>Gewicht</b>	23 kg
<b>Schutzart</b>	IPX5
<b>Schalldruckpegel (LpA)</b>	80 dB(A), KpA: 3 dB
<b>Schalleistungspegel (LWAd)</b>	90 dB(A)
<b>Schwingungsemission</b>	2,5 m/s <sup>2</sup> , K=1,5 m/s <sup>2</sup>
<b>Rückstoßkraft</b>	< 20

# Declaration of Conformity

Försäkran om överensstämmelse

Samsvarerklæring

Vakuutus yhdenmukaisuudesta

Konformitätserklärung



**CLAS OHLSON AB**

**SE-793 85 INSJÖN, SWEDEN**

Declares that this product complies with the requirements of the following directives and standards

Intygar att denna produkt överensstämmer med kraven i följande direktiv och standarder

Bekrefter at dette produktet er i samsvar med følgende direktiver og standarder

Vakuuttaa, että tämä tuote täyttää seuraavien direktiivien ja standardien vaatimukset

Erklärt hiermit, dass dieses Produkt die Anforderungen und Bestimmungen folgender Richtlinien erfüllt

## HIGH PRESSURE WASHER

**Cocraft 40-9909**

**150C EPW**

**Machinery Directive  
2006/42/EC**

EN60335-1:2012  
+A11:2014  
EN60335-2-79:2012  
EN62233:2008

**EMC Directive  
2014/30/EU**

EN55014-1:2006  
+A1:2009+A2:2011  
EN55014-2:1997  
+A1:2001+A2:2008  
EN61000-3-2:2014  
EN61000-3-3:2013  
EN 61000-3-11:2000

Henrik Alfredsson  
Manager Technique & Quality

Insjön, Sweden, 2016-03-22

## Sverige

---

Kundtjänst                    tel: 0247/445 00  
                                     fax: 0247/445 09  
                                     e-post: kundservice@clasohlson.se

Internet                        www.clasohlson.se

Post                             Clas Ohlson AB, 793 85 INSJÖN

## Norge

---

Kundesenter                tlf.: 23 21 40 00  
                                     faks: 23 21 40 80  
                                     e-post: kundesenter@clasohlson.no

Internett                      www.clasohlson.no

Post                             Clas Ohlson AS, Postboks 485 Sentrum,  
0105 OSLO

## Suomi

---

Asiakaspalvelu            puh.: 020 111 2222  
                                     sähköposti: asiakaspalvelu@clasohlson.fi

Internet                        www.clasohlson.fi

Osoite                           Clas Ohlson Oy, Maistraatinportti 4 A,  
00240 HELSINKI

## Great Britain

---

Customer Service        contact number: 020 8247 9300  
                                     e-mail: customerservice@clasohlson.co.uk

Internet                        www.clasohlson.co.uk

Postal                           10 – 13 Market Place  
Kingston Upon Thames  
Surrey  
KT1 1JZ

## Deutschland

---

Kundenservice            Unsere Homepage [www.clasohlson.de](http://www.clasohlson.de)  
besuchen und auf Kundenservice klicken.