

CO/TECH®

Combination Saw

Kombinationssåg

Kombinasjonssag

Yhdistelmäsaaha



Important!

Read the entire instruction manual carefully and make sure that you fully understand it before you use the equipment. Keep the manual for future reference.

Viktig information:

Läs hela bruksanvisningen noggrant och försäkra dig om att du har förstått den innan du använder utrustningen och spara den för framtida bruk.

Viktig informasjon:

Les disse anvisningene nøye og forsikre deg om at du forstår dem før du bruker enheten og oppbevar dem for senere bruk.

Tärkeätä tietoa:

Lue nämä ohjeet huolellisesti ja varmista että olet ymmärtänyt ne, ennen kuin alat käyttää laitetta. Säilytä ohjeet myöhempää tarvetta varten.

ENGLISH

SVENSKA

NORSK

SUOMI

ART.NO
18-3068
30-9869

MODEL
92502-UK
92502

Ver. 201103
Original instructions
Bruksanvisning i original
Original bruksanvisning
Alkuperäinen käyttöohje

Combination Saw

ART.NO: 18-3068 MODEL: 92502-UK
30-9869 92502

Please read the entire instruction manual before using the product and save it for future reference. We apologise for any text or photographic errors and any changes of technical data. If you have any questions concerning technical problems please contact our Customer Service Department (see address on reverse.)



Important safety instructions:
Read the entire instruction manual before using this product.

1. Safety

Warning: When using this machine all basic safety precautions must be followed to avoid the risk of fire, electrocution and personal injury. Read these instructions carefully before using the product and keep them for future reference.

1. Keep the working area tidy. Cluttered areas and benches invite accidents.
2. Take stock of your working environment. Do not expose the machine to rain. Do not use the machine in moist or wet areas. Keep the working area well lit. Never operate the machine near flammable liquid or gas.
3. Avoid electric shocks. Avoid body contact with earthed objects, such as pipes, radiators, ovens or refrigerators.
4. Keep other people at a safe distance. Do not allow anyone not involved in the work process to touch the machine or its electric cable, especially children. Keep all bystanders at a distance.
5. Store the machine in a safe place. When your machines are not in use, keep them in a locked, dry area, away from children.
6. Do not overload the machine. The correct feed rate makes the work better and safer.
7. Use the correct machine. Do not try to use small machines to perform jobs requiring more powerful machines.
Do not use a machine for a purpose for which it was not designed, e.g. using a circular saw for lopping branches off trees or cutting timber.
8. Wear suitable clothing. Do not wear loose-fitting clothing or jewellery, they could get caught in moving parts. Non-slip shoes are recommended for outdoor work. Wear a hairnet or similar if you have long hair.
9. Always use safety glasses. Wear safety glasses. Use a face mask or dust filter when working in dusty environments.
10. Use dust extractors. If the machine is equipped with or connected to a dust extractor/collector, make sure that it is turned on and used correctly.
11. Do not abuse the lead. Do not jerk the lead, grip the plug itself when disconnecting the power. Make sure that the mains lead does not come into contact with heat, oil, or sharp edges.
12. Secure the workpiece firmly. If possible use vices or clamps to hold the workpiece in place. This is much safer than holding the workpiece in one hand.
13. Do not overreach. Make sure that you stand steady and balanced all times.
14. Look after the machine. Keeping the machine clean and the blades sharp will ensure the best results. Follow the manual's advice regarding lubrication and the replacement of accessories. Regularly inspect the power lead. If damaged it should be replaced by a qualified service technician. Regularly inspect all extension leads for any damage. Keep the handles of the machine and all controls and switches dry and free from oil and grease.

15. Turn the power off. Pull out the plug and push in the emergency stop button before servicing or changing any blades, drill bits, cutters or sanding discs.
16. Remove all spanners and repair tools. Make a habit of checking to make sure that the machine is free of all spanners and tools before turning the power on.
17. Avoid accidental starting. Do not walk around with the machine with your finger on the power button if it is plugged in. Make sure that the on/off switch is set to OFF before plugging in any power tool.
18. Use the correct extension leads. If you use extension leads outdoors, only use those designed for outdoor use. Only use extension leads with thick enough diameter core wires and roll out the whole lead.
19. Use common sense and be careful. Think before carrying out any task, so that it is carried out safely. Never operate machines when you are tired, under the influence of medicine etc.
20. Check the following before turning the machine on:
 - That all guards and other parts are whole and in working order.
 - That moving parts are free and correctly aligned.
 - That no moving parts can get caught.
 - That no defects are apparent.
 - Other factors that can influence work execution.
 - A safety guard or any other part that is damaged should be repaired by a tradesman or replaced. Damaged power leads and switches must always be replaced by a tradesman or qualified service centre. Never operate the machine if you cannot stop or start the tool safely.
21. Use only recommended accessories. The use of non-recommended accessories can cause accidents and personal injury.
22. Should only be repaired by a qualified technician. This machine conforms to current safety requirements. Repairs to the machine should only be carried out by a tradesman using original spares; otherwise the machine could cause accidents and personal injury.

1.2 . Safety Instructions Specific to Combination Saws

Warning: Always unplug the machine before carrying out any maintenance or changing the blade.

Helpful Suggestions:

- Working with wood can be dangerous if the correct procedures are not observed.
 - Using the saw with common sense and caution will greatly reduce the risk of personal injury.
 - Safety devices such as guards, push-sticks, clamps, safety goggles, dust masks and ear defenders can never make up for bad judgement, carelessness or inattentiveness.
 - **Remember:** you are responsible for your own safety. The saw has been designed to perform certain tasks. We strongly recommend that the saw is not altered in any way and that it is not used for performing any task for which it was not designed.
 - **DO NOT USE THE SAW** if you are unsure if the saw can perform the task you intend to perform.
Make sure that all the parts are working properly and that the safety devices are in place before starting the saw.
1. **Warning:** Use only cross-cut saw blades. Make sure that TCT blades have negative rake. Do not use blades with deep spacing between the teeth because the teeth might bend and come into contact with the blade guard. A damaged blade should be replaced immediately.
 2. Do not use the saw unless it has been completely assembled using the instructions in this manual. Check that the motor and the blade are rotating the right way (see direction arrow on blade guard). Make sure that the blade does not come into contact with the table in any of the settings. Unplug the machine and manually tilt the blade to 45° and 90°. Adjust the saw head if necessary.
 3. If you do not understand how the saw should be used, ask a knowledgeable person for advice.

4. Do not saw freehand. Make sure that the workpiece is firmly secured against the fence before you start sawing. If the workpiece that you are sawing requires you to have one hand as close as 10 cm from the blade, fix the workpiece to the table using a clamp, etc. before sawing.
5. **Warning:** Keep hands away from the saw blade. Never saw small objects. Use a push-stick.
6. Check that the blade is well-centred, sharp and that it rotates freely and without vibration.
7. Let the motor come up to speed before starting to cut.
8. Always keep the motor's ventilation openings free of dust and debris.
9. Make sure that all clamps are tight before starting to saw, even if the table is locked at a fixed angle.
10. Make sure that the blade and flanges are clean and that the spindle nut is tight. Use only the blade flanges belonging to your saw.
12. Use only saw blades having a diameter and speed rating complying with those in the technical specifications.
13. When sawing long objects, make sure that the ends are adequately supported.
14. Always check the blade for cracks and fractures before using it. Replace a damaged blade immediately.
15. Do not use the saw if any of the parts is missing, damaged or not working properly. Unplug the saw if it starts to make strange noises or vibrate. Get a professional to replace the missing or damaged part before you use the saw again.
16. Never use the saw if the blade guard is not in place and working properly.
17. Never stretch round or over the blade when it is rotating. Maintain a steady stance and remain balanced at all times.
18. Make sure that the blade can rotate freely (especially after transportation/blade changes) before plugging in and starting the saw.
19. Never lock the switch in the ON position.
21. **Important:** When the workpiece has been completely sawn through: Turn the machine off and wait until the blade has stopped rotating before lifting the saw head.
22. Turn the machine off and wait until the blade has stopped before moving the workpiece or adjusting any setting.
23. Do not remove any offcuts or jammed material from around the blade area until the blade has stopped.
24. Never saw into ferrous metals, brick or mortar.
25. Never use the saw near flammable fluids or gas.
26. Never clean the plastic parts of the saw using solvents. Solvents can dissolve or otherwise damage plastic; use a soft, moist cloth only.
27. Unplug and clean the saw before leaving it. Always tidy the work area when you have finished working.
28. Keep this instruction manual safe. Read through it regularly and use it to help instruct other users. Make sure that everyone using the saw has read these instructions.
29. Do not expose the saw to rain and do not use it in humid environments.
30. Ensure that the work area is well-lit.
31. Wear suitable clothing, loose clothing or jewellery can get caught in moving parts.
32. The saw must only be operated by persons over the age of 18; persons over the age of 16 may operate the tool under supervision. Keep children away from the saw when it is connected to the power supply.
33. Keep the work area tidy, do not leave offcuts or waste material around the saw unnecessarily. Make sure that all offcuts can be removed from the saw blade; otherwise they might be ejected by the blade.
34. Do not distract the operator of the saw.
35. Do not try to stop the blade by pushing something against the side of the blade when the power has been turned off.

36. Never use saw blades that do not comply with the specifications in this manual.
37. Always make sure that the blade guard is in place and working properly.
38. Never lock the blade guard in the open position or alter any of the machines safety devices in any way. Never use a faulty safety device, replace it immediately.
39. Always position your hands in such a way that they will not slip into the saw blade should you lose your balance. Never saw workpieces that are too small to hold safely.
40. Use a table, roller stand, etc for support when working on long workpieces, to prevent the table from tipping over.
41. Secure round workpieces to the table using suitable clamps to stop them from rotating.
42. Never cut a workpiece with nails or screws in it. Inspect the workpiece before sawing.
43. Always stand to the side of the blade when using the saw so that you are not in its path in case it breaks.
44. Always ensure that the workpiece is securely pressed against the rip fence and surface of the table so that it cannot twist whilst being sawed.
45. Never saw more than one workpiece at a time.
46. Never attempt to remove sawdust or offcuts trapped around the blade whilst the saw blade is rotating. Always switch off the machine and unplug it before adjusting the machine or removing waste material.
47. Always switch off the machine and unplug it before cleaning the machine or measuring the workpiece.
48. Always switch off the machine and unplug it before leaving the work area.
49. Electrical installations, repairs or maintenance must be carried out by a qualified person.
50. All safety devices must be reattached to the machine immediately after any repairs or maintenance.
51. It is very important to observe the directions for the safety, operation and maintenance of the machine as well adhering to the characteristics specified in Technical Data.
52. It is essential to follow all Health and Safety Executive regulations as well as general safety regulations.
53. Use only a machine with a dust extractor in a closed room if the room has an air inlet, to prevent the build-up of a vacuum.
54. The saw must only be used with a 230 V plug protected by at least a 10 A slow-blow fuse.
55. Faulty safety devices and damaged parts must be repaired or replaced by a qualified tradesman at an authorised service centre.
56. This machine conforms to all relevant safety standards. The machine must only be repaired by a qualified tradesman at an authorised service facility using original spare parts. Failure to adhere to this rule can lead to an accident and endanger the user.
57. Do not use saw blades that are thicker or thinner than the riving knife (applies to circular saws).
58. Always use a riving knife when rip cutting.
59. Make sure that the riving knife is adjusted so that: The distance between the saw blade and the riving knife should be 5-6 mm.
60. The riving knife should have a radius compatible with the diameter of the saw blade.
61. Do not use high speed steel blades (HSS) if the machine is delivered with tungsten carbide (TCT) blades.

2. Product safety symbols and their meaning



Always use ear protection.

Always wear protective glasses or a visor and breathing protection.

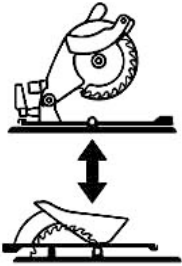


Failure to respond to the safety warnings could result in injury or damage the tool.

Keep the saw head lowered until the saw blade has completely stopped after a cut has been made to avoid being injured by flying splinters and wood chips.



Unplug the machine before turning the table and using another method of working.



Note: The blade nut has a left-hand thread.

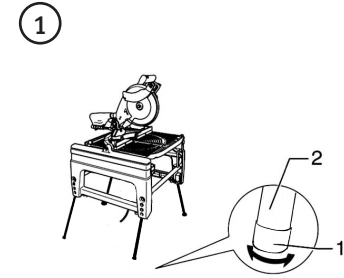


Clear any saw dust, waste material, etc from the table before using the combination saw.

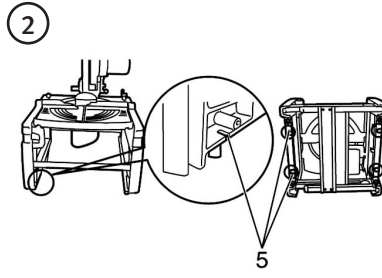


Think about where you place your hands when carrying the saw.

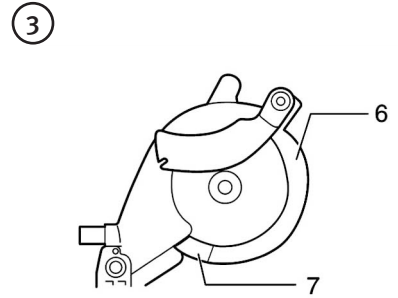
3. Description



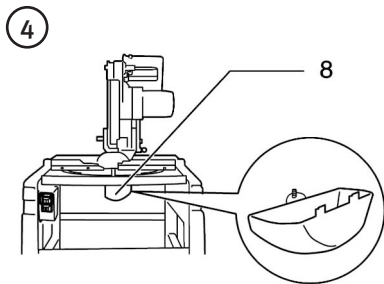
- 1. Adjustable foot
- 2. Leg



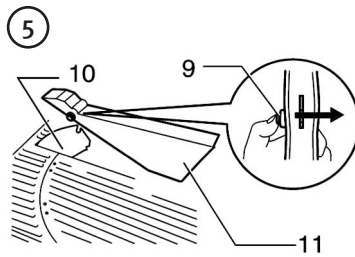
- 5. U-shaped slot



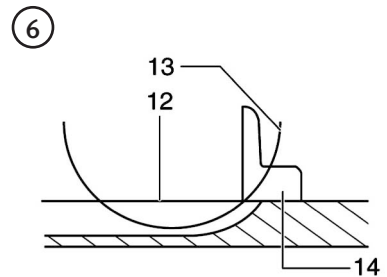
- 6. Adjustable blade guard
- 7. Fixed blade guard



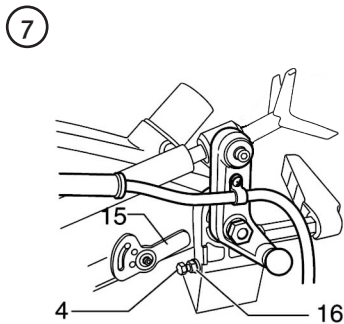
- 8. Lower blade guard (only for mitre saws)



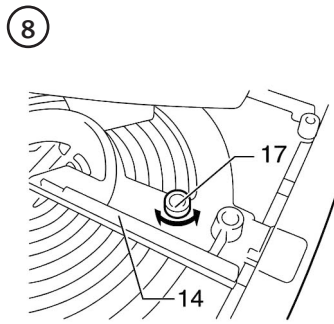
- 9. Upper blade guard lock
- 10. Riving knife
- 11. Upper blade guard (only for circular saw)



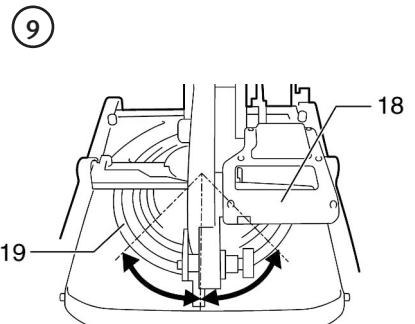
- 12. Surface of the table
- 13. Edge of the blade
- 14. Fence



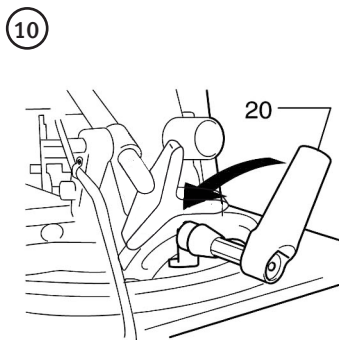
- 4. Bolt
- 15. Depth stop
- 16. Lock nut



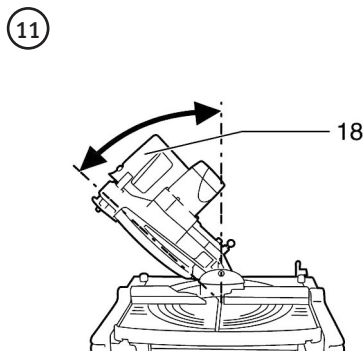
- 14. Fence
- 17. Locking knob



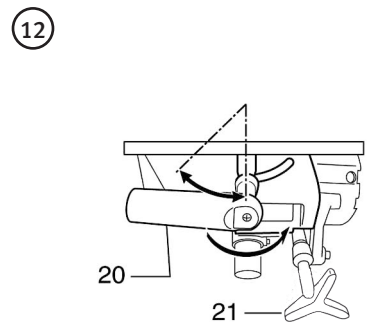
- 18. Handle
- 19. Turntable



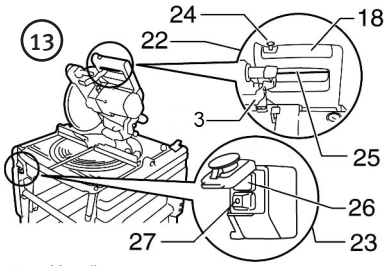
- 20. Locking knob



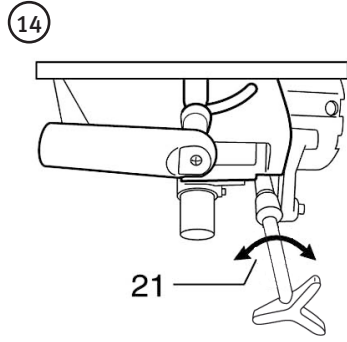
- 18. Handle



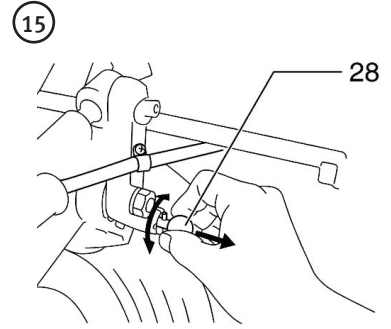
- 20. Locking knob
- 21. Cutting depth adjusting screw



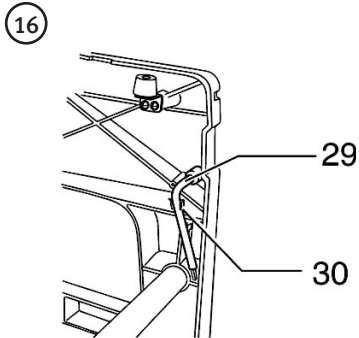
- 18. Handle
- 3. Lock
- 22. Power switch (for compound mitre saw mode)
- 23. Power switch /Emergency stop (for circular saw mode)
- 24. Safety Catch
- 25. Power switch in handle (for compound mitre saw mode)
- 26. ON switch (green) (for circular saw mode)
- 27. OFF switch (red) (emergency stop with lid)



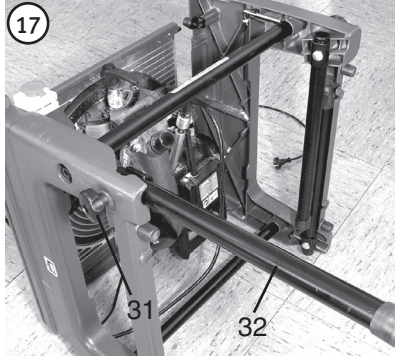
21. Cutting depth adjusting screw



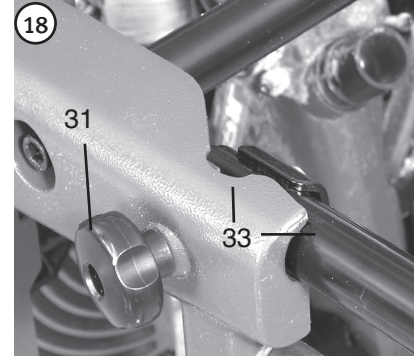
28. Saw head lock



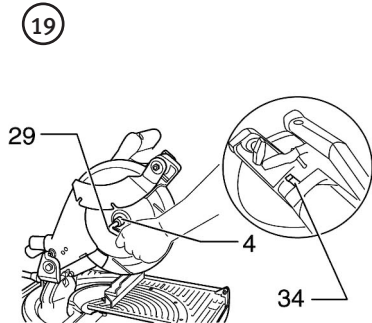
29. 13 mm Allen key for saw blade
30. Allen key holder



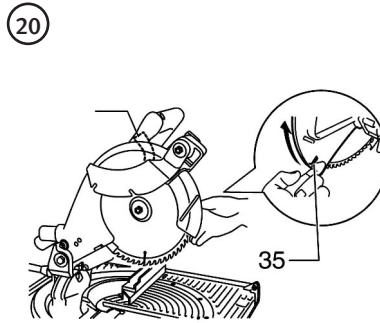
31. Leg locking knob
32. Leg



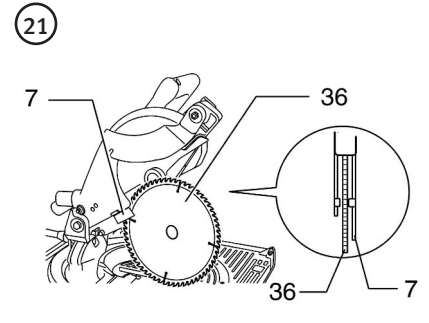
31. Leg locking knob
33. Leg seat



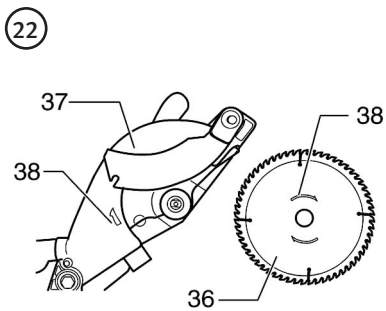
4. Bolt
29. 3 mm Allen key for saw blade
34. Spindle Lock Button



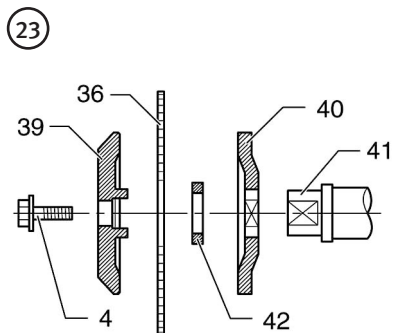
35. Lifting grip



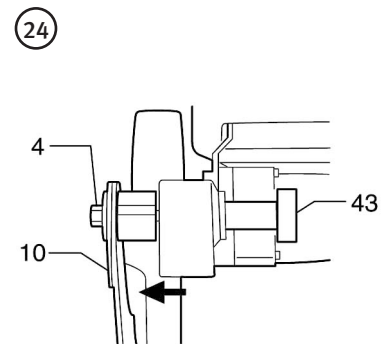
7. Fixed blade guard
36. Saw blade



36. Saw blade
37. Saw blade cover
38. Rotation arrow

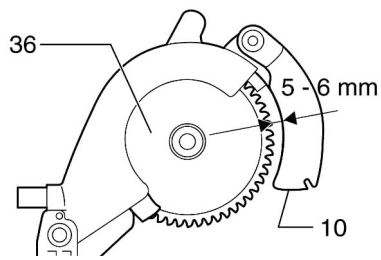


4. Bolt
36. Saw blade
39. Outer blade flange
40. Inner blade flange
41. Spindle
42. Washer



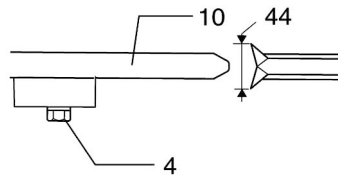
4. Bolt
10. Riving knife
43. Riving knife locking knob

25



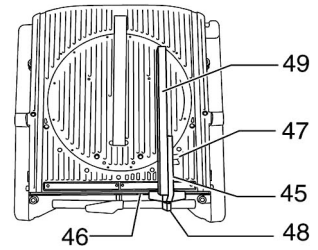
- 10. Riving knife
- 36. Saw blade

26



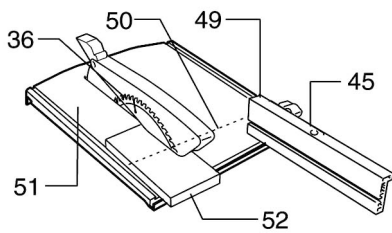
- 4. Bolt
- 10. Riving knife
- 44. Kerf

27



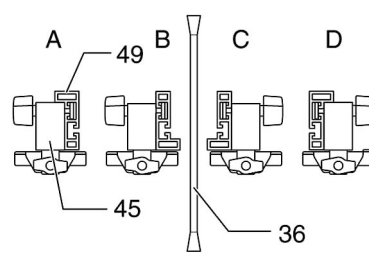
- 45. Rip fence guide clamp
- 46. Rip fence slot
- 47. Rip fence locking knob
- 48. Rip fence guide locking knob
- 49. Rip fence

28



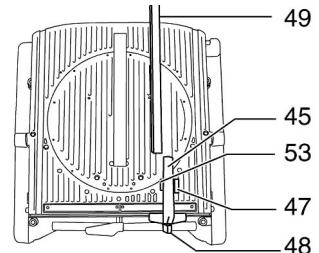
- 36. Saw blade
- 45. Rip fence guide clamp
- 49. Rip fence
- 50. Index line
- 51. Circular saw
- 52. Workpiece

29



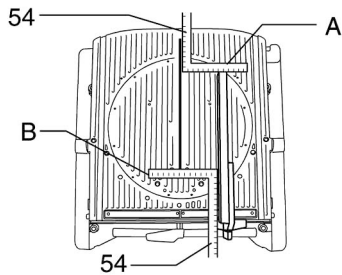
- 36. Saw blade
- 45. Rip fence guide clamp
- 49. Rip fence

30



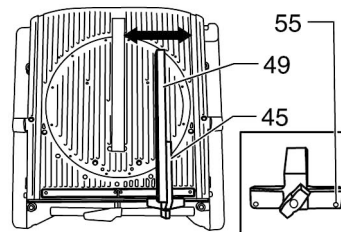
- 45. Rip fence guide clamp
- 47. Rip fence locking knob
- 48. Rip fence guide locking knob
- 49. Rip fence
- 53. Nut

31



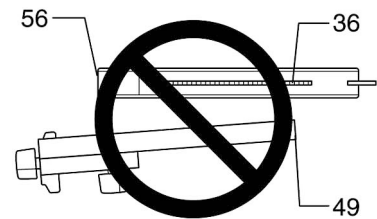
- 54. Try square (not included)

32



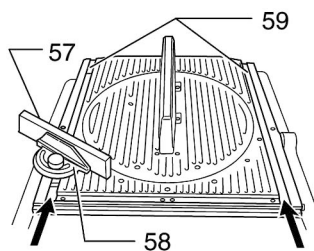
- 45. Rip fence guide clamp
- 49. Rip fence
- 55. Adjusting screw

33



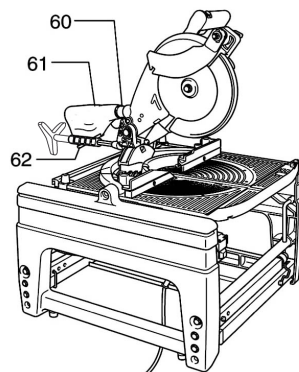
- 36. Saw blade
- 49. Rip fence
- 56. Upper blade guard

34



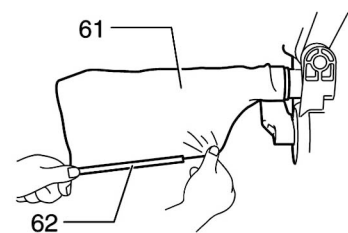
- 57. Mitre guide track
- 58. Mitre guide

35



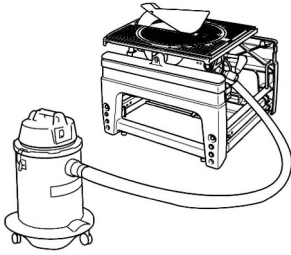
- 60. Dust bag/extractor coupling sleeve
- 61. Dust bag
- 62. Zip

36

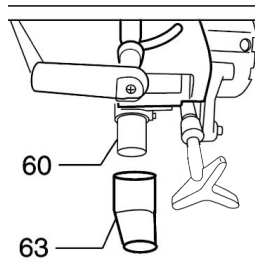


- 61. Dust bag
- 62. Zip

37

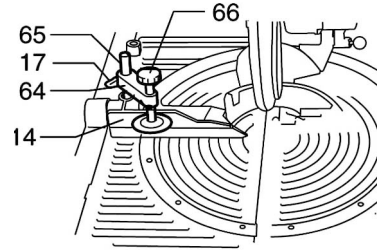


38



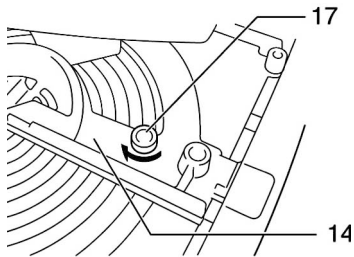
60. Dust bag/extractor coupling sleeve
63. Angled coupling sleeve for dust bag/extractor

39



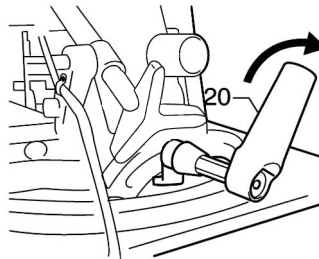
14. Fence
17. Locking knob
64. Clamp arm
65. Clamp rod
66. Clamp knob

40



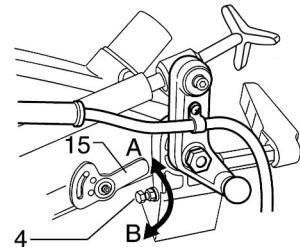
14. Fence
17. Locking knob

41



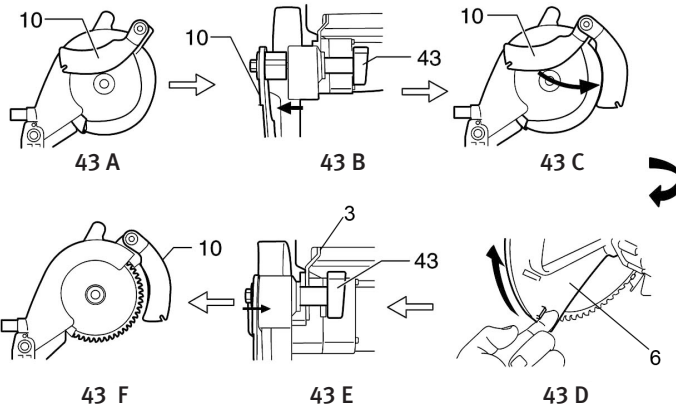
20. Locking knob

42



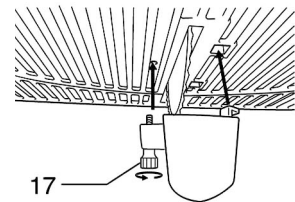
4. Bolt
15. Depth stop

43



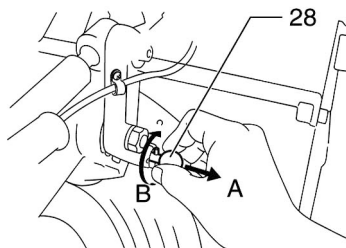
10. Riving knife
43. Riving knife locking knob

44



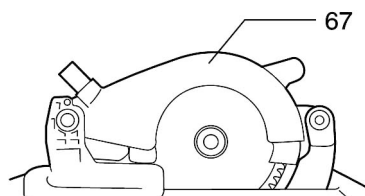
17. Locking knob

45



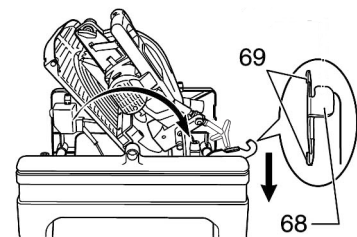
28. Saw head lock

46



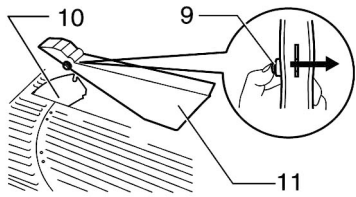
67. Saw blade guard

47



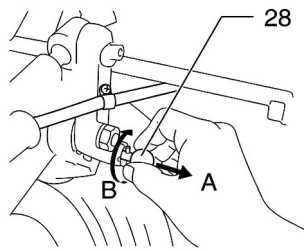
68. Table lock for changing from compound mitre saw to circular saw
69. Catches

48



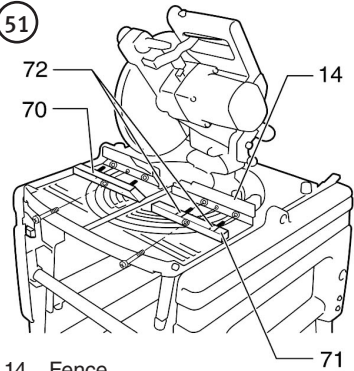
- 9. Upper blade guard lock
- 10. Riving knife
- 11. Upper blade guard (only for circular saw)

49



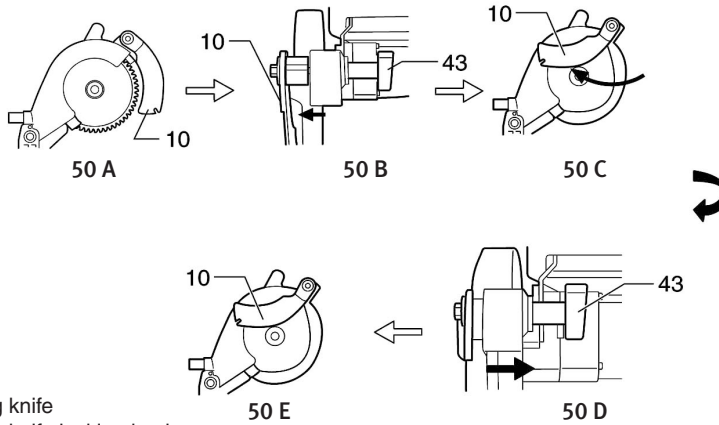
- 28. Saw head lock

51



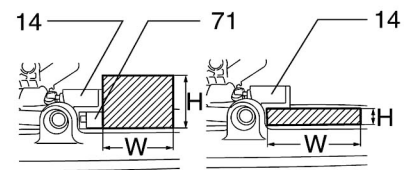
- 14. Fence
- 70. Lower left fence
- 71. Lower right fence
- 72. Guide pins

50



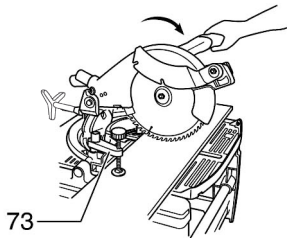
- 10. Riving knife
- 43. Riving knife locking knob

52



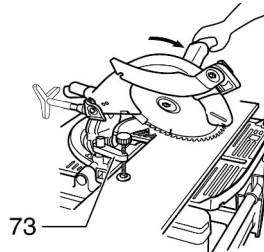
- 14. Fence
- 71. Lower right fence

53



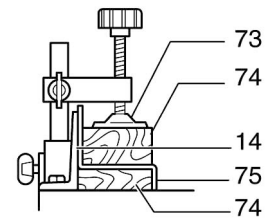
- 73. Clamp

54



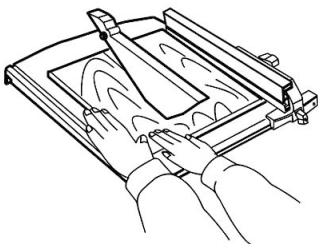
- 73. Clamp

55

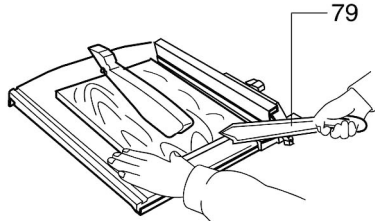


- 14. Fence
- 73. Clamp
- 74. Scrap wood
- 75. Aluminium section (workpiece)

56

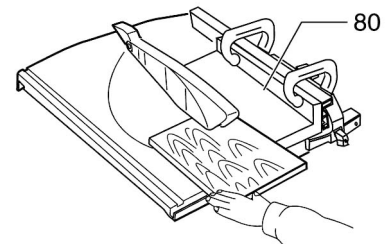


57



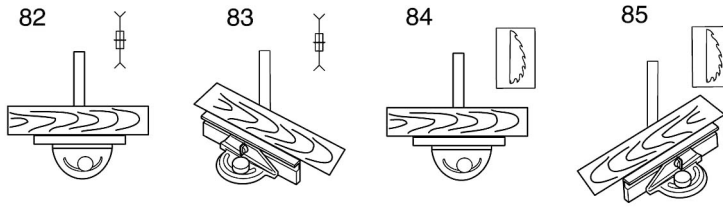
- 79. Push stick

58



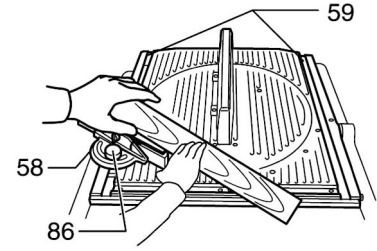
- 80. Sawing block (not included)

59



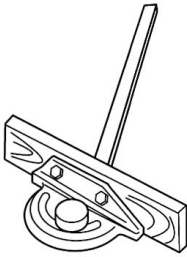
- 82. Right angle cut
- 83. Mitre cut
- 84. Bevel cut
- 85. Compound cut (both bevel and mitre)

60

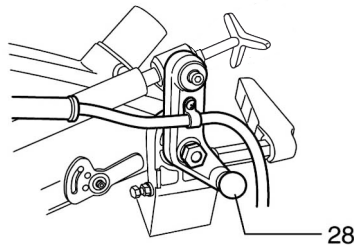


- 58. Miter guide
- 59. Miter guide track
- 86. Locking knob

61

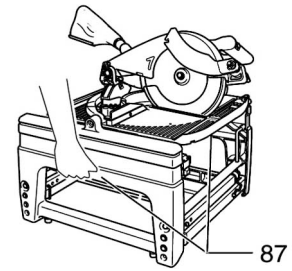


62



- 28. Saw head lock

63



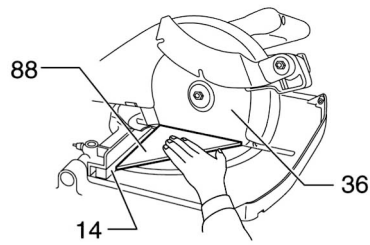
- 87. Suitable holding point for transportation.

64



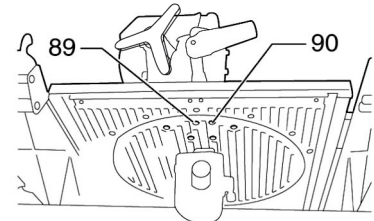
- 20. Locking knob

65



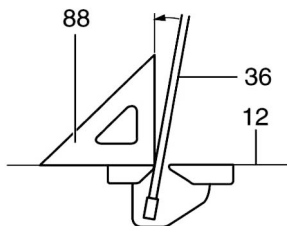
- 14. Fence
- 36. Saw blade
- 88. Try square (not included)

66



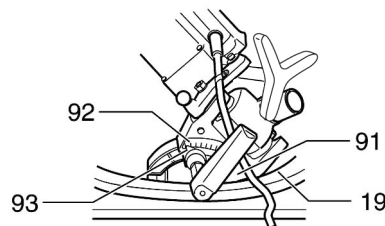
- 89. Adjustment screw (0°)
- 90. Adjustment screw (45°)

67



- 12. Surface of the table
- 36. Saw blade
- 88. Try square (not included)

68



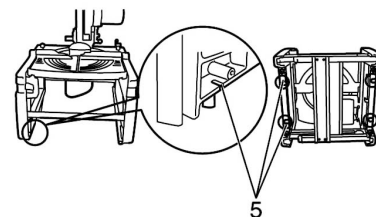
- 19. Turntable
- 91. Locking knob
- 92. Tilt angle scale
- 93. Index mark

Circular Saw/Table saw: (motor under table) Compound Mitre Saw (motor over table)

4. Preparing the saw for use

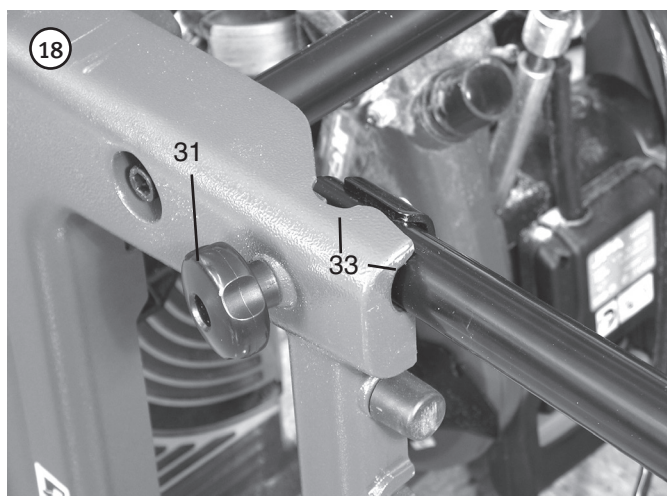
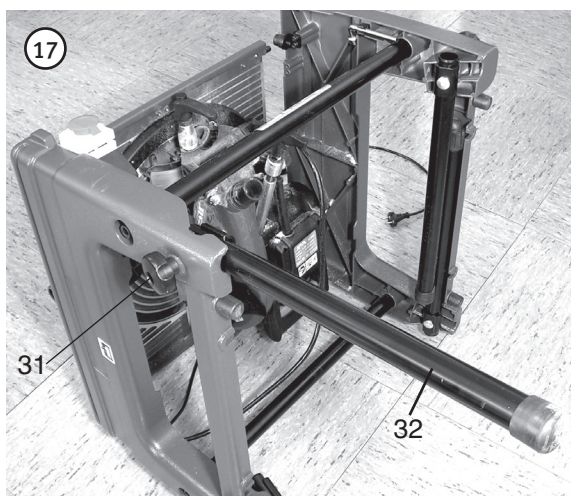
Note:

- Always make sure that the floor surrounding the saw is clear of waste material, sawdust or anything that one might trip over.
- The combination saw can be used standing on the floor with its legs extended or mounted on a bench with its legs folded.
- If the saw is to be mounted on a bench, table, etc it must be securely anchored by passing bolts through the bench/table and the U-shaped slots (5) on the base of the saw.



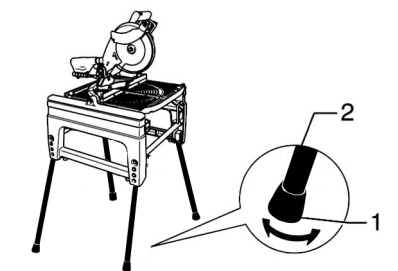
4.1 Unfolding the legs

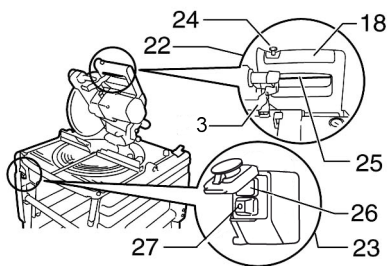
1. Lay the combination saw on its side.
2. Undo the big locking knobs (31) which hold the legs in place.
3. Unfold the legs and tighten the knobs again to lock the legs in the extended position.
4. Do the same with the other side.



Adjusting the legs

The legs must be steady on the floor, adjust them if necessary using the adjustable feet (1) on the ends of the legs if the floor is uneven. Turn the foot anticlockwise to screw it in and clockwise to screw it out.





5. Description

5.1. Starting/stopping

The combination saw is started and stopped in different ways depending on how the saw is being used.

In circular saw (table saw) mode: (motor under table)

The machine is started and stopped using the power switch (23) (underneath the yellow lid)

- Push the green button (26) to start the motor.
- Push the red button (27) to turn the machine off.

In compound mitre saw mode: (motor over table)

The machine is started and stopped using the power switch (22)

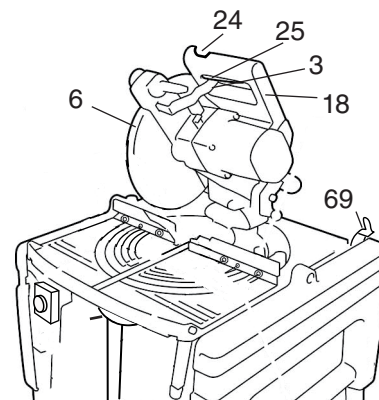
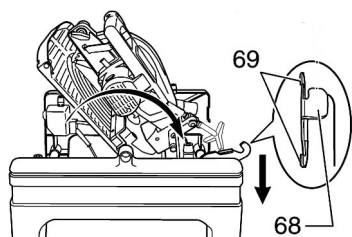
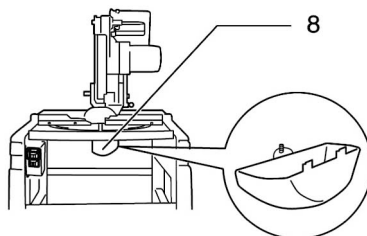
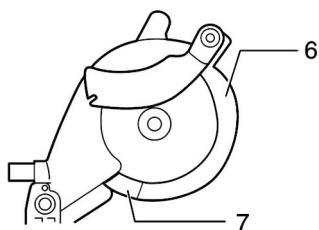
- Hold in the safety catch (24) and the power switch (25) to start the motor.
- Release the power switch (25) to stop the motor.

Warning: Always unplug the machine before carrying out any adjustments or maintenance.

The combination saw is equipped with two types of blade guard which are to be attached depending on whether the saw is being used as a circular saw or compound mitre saw.

Warning:

- Before using the saw, check that all safety devices are intact and that the handle (18) cannot be lowered without the safety catch (3) having first been slid to the left.
- Make sure that the adjustable blade guard (6) does not open without the safety catch (3) first having been slid to the left.
- Make sure that the lower blade guard (8) is mounted before using the saw in compound mitre saw mode.
- Make sure that the lower blade guard (11) is mounted before using the saw in compound mitre saw mode.
- The table must be locked in one of the working modes for the catches to spring out and lock the table.
- The compound mitre saw can be very dangerous if it is used without proper safety guards, the operator could be seriously injured.



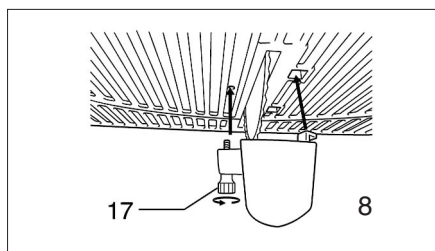
5.2. Attaching/removing blade guards

The lower blade guard (8) and upper blade guard (11) are never to be used at the same time. One of the guards should be attached and the other removed depending upon the mode the saw is set in:

- The lower blade guard (8) (used in compound mitre saw mode) is mounted underneath the table, hook onto the catches under the table and tighten the screws (17) on the other side. First, remove the guard (11) if it is fitted.

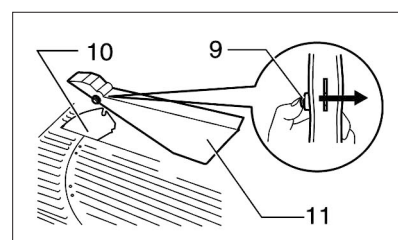
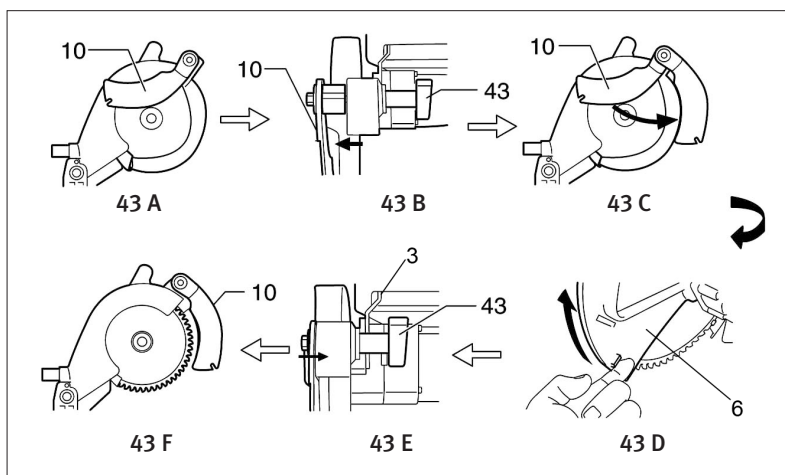
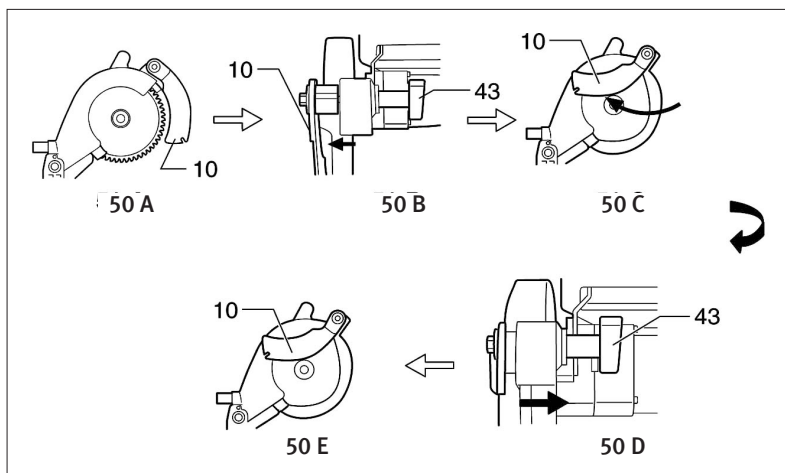
Undo the riving knife (10) and attach it to the side:

- Undo the knob (43) and pull the riving knife to the side (Fig. 50-B).
- Move the riving knife in the direction indicated by the arrow to move it out of the way (Fig. 50-C).
- Push in the riving knife and lock the knob (43) (Fig.50-D).
- Test by hand that the blade moves freely and does not catch on anything.



- The upper blade guard (11) (used only in circular saw mode) attaches to the riving knife (10).

- Turn the table over so that the motor is on top. First, remove the guard (8) if it is fitted.
- The riving knife (10) is moved to the side when the saw is used in compound mitre saw mode (Fig 43-A).
- Undo the knob (43) and pull the riving knife to the side (Fig. 43-B).
- Move the riving knife in the direction indicated by the arrow until it just clears the teeth of the saw blade (Fig. 43-C).
- Push in the safety catch (3) and raise the blade guard (6) as far as it will go and lock the knob (43) (Fig.43-E).
- Test by hand that the blade moves freely and does not catch on anything.
- Push the control/selector lever (68) down and turn the table over.
- Take the upper blade guard (11), press in the lock (9) and keep it pressed in, place the guard over the notch in the riving knife and release the lock. Check that the guard is secure and able to move up and down freely.



5.3 Cleaning the blade guards

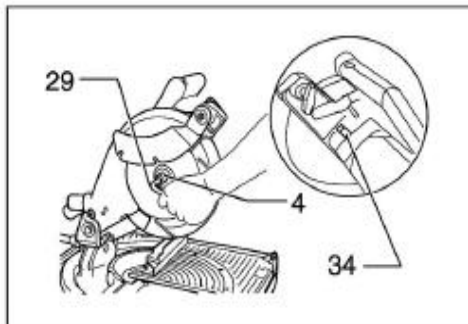
Warning!

Always unplug the machine before cleaning or carrying out any adjustments or maintenance.
The transparent blade guard will need cleaning occasionally if sawdust sticks to it and obscures vision.

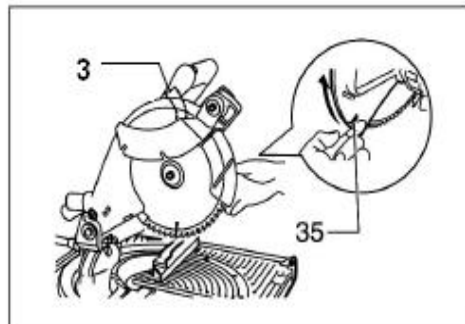
- Wipe the guard using a lightly moistened cloth.
- Clean the adjustable blade guard (6) as follows: Raise the handle fully, remove the saw blade (see chapter Changing Saw Blade). Slide the safety catch (3) to the side and move the guard to a position in which it can be cleaned. Replace the saw blade.
- Always check that all the safety devices work properly after cleaning or servicing.

5.4 Changing the blade

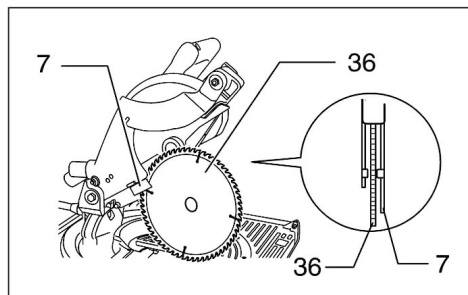
1. Turn the table to compound mitre saw mode (motor above table)
2. Lift the handle and saw head to maximum elevation.
3. Push in the spindle lock (34), use the spanner (29) to undo the bolt (4) by turning it clockwise.
4. Release the lock (3) and lift and hold the adjustable blade guard using the lifting handle (35).
5. Unscrew the bolt (4), remove the blade flange (39) and remove the blade (36).
6. Carefully fit the new blade making sure that it is the right way round, look at the arrow indicating the direction of rotation (38) on the saw blade (36) and the blade guard (37).
7. Replace the outer flange (39) and screw the bolt (4) back on.
8. Make sure that the blade rotates freely and it correctly mounted.



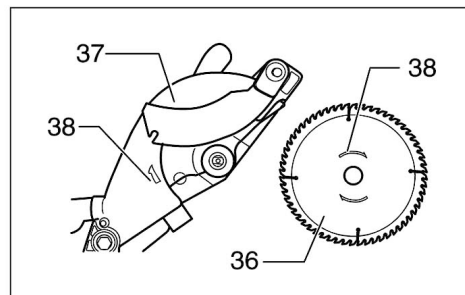
19



20



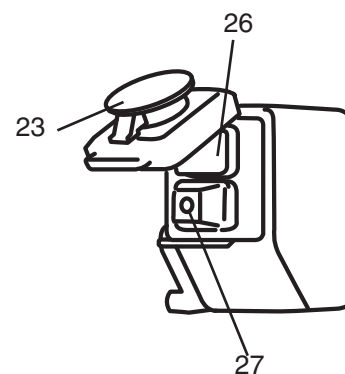
21



22

6. Emergency Stop

When the saw is used as a circular saw the motor is connected to an emergency stop button. When the saw is used as a compound mitre saw the emergency stop button is not connected to the motor, instead the motor is started/stopped using the power switch on the handle (22).



The cover over the switch (23) acts as an “emergency stop button”

Note: Always use the “emergency stop” and pull out the plug when the saw is not in use or when left unattended, to prevent children or unauthorised persons from using the saw.

Triggering the emergency stop

Push in the cover over the power switch (23) to stop the motor and the cover stays pushed in.

Resetting the emergency stop

Reset the emergency stop as follows: Press the red button upwards (towards the table) to release the catch and the cover over the switch can be opened. Start the motor in the normal way.

Note: Always reset the cover over the switch when the motor has started in case you need to stop the motor in an emergency. (be careful not to trigger the emergency stop whilst resetting the cover)

6.1 Riving knife

The riving knife (10) is an important safety feature which prevents the blade from binding and getting stuck in the workpiece, thereby reducing the risk of the workpiece being ejected violently towards the operator of the saw. When the saw is used as a table saw the riving knife must always be mounted behind the blade.

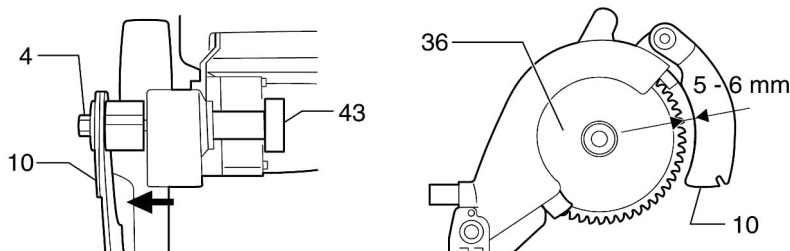
Adjust the riving knife if necessary

There must be a distance of 5-6 mm between the saw blade (36) and the riving knife (10). Adjust the riving knife by undoing the bolt (4) and adjusting the gap between the knife (10) and the saw blade (36) to 5 - 6 mm. Retighten the bolt (4).

The riving knife must be in line with the saw blade.

Warning!

If the saw blade and riving knife are not in line with each other the workpiece could bind and be ejected towards the operator. The saw blade and riving knife must line up.



6.2 Attaching and adjusting the rip fence

1. Attach the rip fence guide holder (45) in the slot (46) in the table.
2. Set it to the desired width according to the scale and lock the knob (48).
3. Undo the locking knob (47).
4. Slide the fence (49) into the holder (45) so that it stops just where the saw blade (36) emerges from the table (see the index line 50). Note: This is important to prevent the workpiece from being ejected back towards the operator if it gets squashed between the rip fence and saw blade. Note: The setting should be changed depending on the thickness and angle setting.
5. Lock the knob (47) so that the fence is fastened in place.

Note:

The rip fence guide can be mounted in the holder (45) in four different ways.

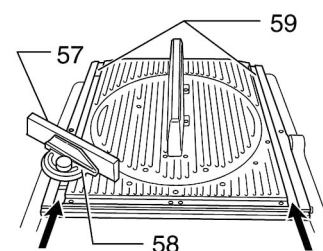
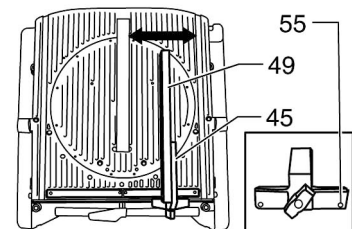
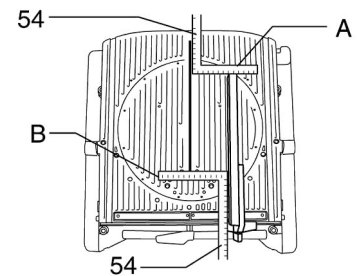
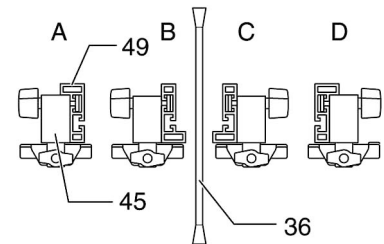
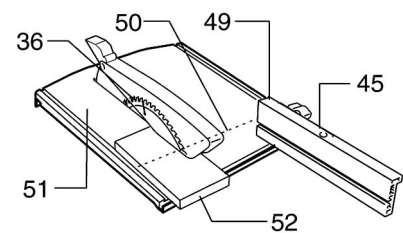
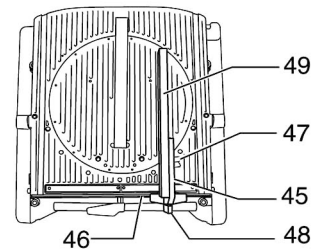
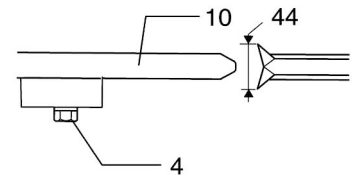
The rip fence must be parallel to the saw blade, check it as follows:

1. Set the saw blade to its maximum height above the table.
2. Mark one of the teeth.
3. Rotate the blade by hand until the marked tooth is level with the table, measure the distance from the tooth to the rip fence. Use a try square, set square, etc.
4. Rotate the blade backwards by hand until the marked tooth is level with the table, measure the distance from the tooth to the rip fence at that place. If the two distances (A) and (B) are the same, the rip fence is parallel to the saw blade.
5. Adjust the rip fence guide if necessary: the holder (45) has an adjustment screw on the outside, undo the locking knob (48) slightly, turn the adjustment screw until the rip fence is parallel to the saw blade. Tighten the locking knob (48).
6. Make sure that the saw blade can rotate freely and that all safety guards work properly.

Note: Do not lift the rip fence, the holder can break.

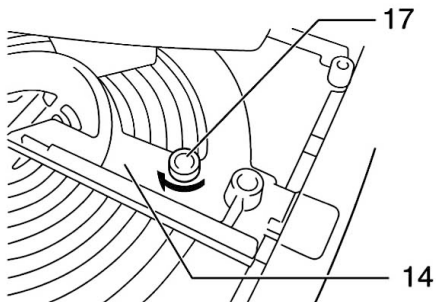
6.3 Mitre guide

1. Attach the fence (57) to the mitre guide (58).
2. Fit the mitre guide (58) to the table by sliding the long aluminium section of the mitre guide into the track (59) at the front of the table.

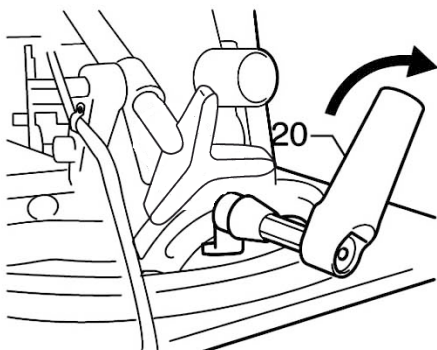


7. Using the combination saw as a circular saw (table saw)

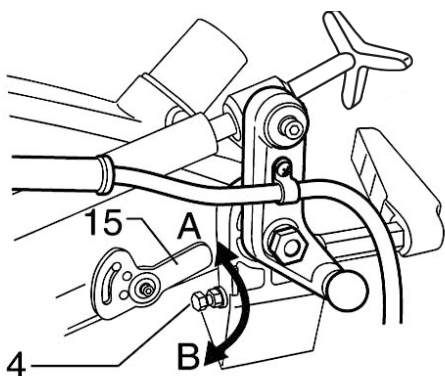
7.1 Setting up the machine as a circular saw



1. Set the table to an angle of 0° and lock it using the knob (17).



2. Tighten the locking knob (20) to lock the saw head in place.

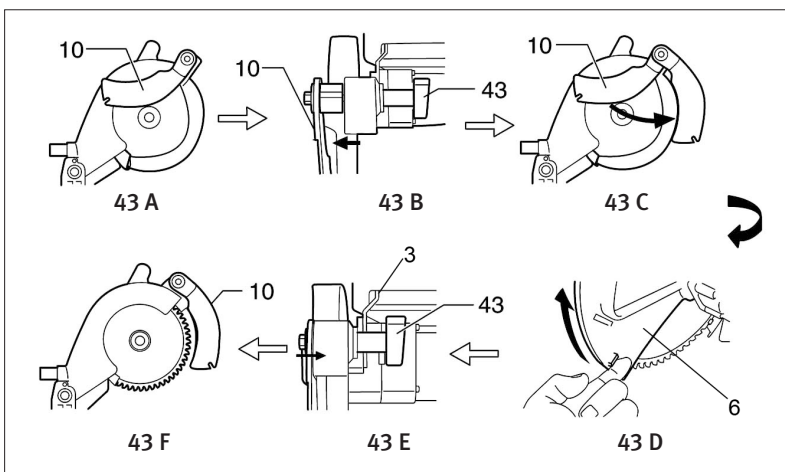


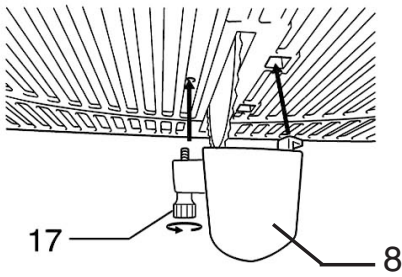
3. Lift the depth stop (15) up towards A so that it is clear of the bolt (4).

4. Move the riving knife into place.

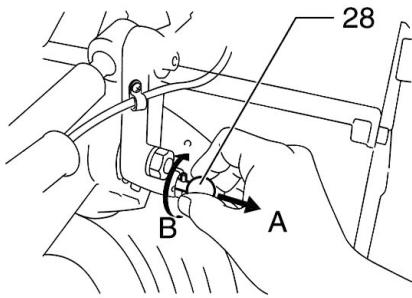
The upper blade guard (11) (used only in circular saw mode) attaches to the riving knife (10).

- a) The riving knife (10) is moved to the side when the saw is used as a circular saw (Fig. 43-A).
- b) Undo the knob (43) and pull the riving knife to the side (Fig. 43-B).
- c) Move the riving knife in the direction indicated by the arrow until it just clears the teeth of the saw blade (Fig. 43-C).
- d) Push in the safety catch (3) and raise the blade guard (6) as far as it will go (Fig.43-D) and lock the knob (43) (Fig.43-E).





- Remove the lower blade guard (8).



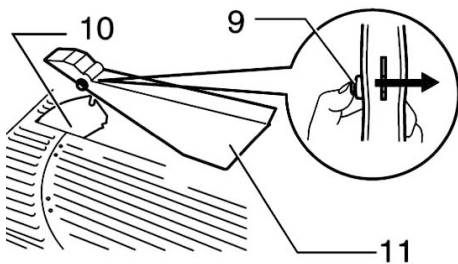
- Lock the saw head in place. Pull out the saw head lock (28) and turn it 90° clockwise as shown by arrow B, push the handle down until the saw head locks.

Warning: The saw head lock (28) must be on before the table is turned over. If it is not possible to lock the saw head down using the lock (28), the cutting depth adjustment screw (21) must be turned clockwise until the saw head can be locked.

- Turning the table over

Warning: Things to consider before turning the table over:

- Switch the machine off using the emergency stop button. Unplug the machine. Make sure the blade is not rotating.
- Think about the position of your hands when turning the table. Hold the middle of the table edge and push down the control/selector (68). Turn the table carefully.
- Push down far enough to lock the table lock (68) again



- Attaching the upper blade guard

- Take the upper blade guard (11), press in the lock (9) and keep it pressed in, place the guard over the notch in the riving knife and release the lock.
- Check that the guard is secure and able to move up and down freely.

7.2 Using the combination saw as a table saw

Note:

- Always use a push stick or some other form of “arm extension” instead of taking risks and having your hands and fingers close to the saw blade.
- Always keep the workpiece pressed against the rip fence and the table top, do not try to bend or lean the workpiece as it is likely to be ejected from the saw blade towards the operator.
- NEVER pull the workpiece backwards when the saw blade is rotating, turn off the saw, let the blade stop and then move the workpiece backwards, otherwise it could be thrown backwards towards the operator.
- NEVER try to clear sawdust or offcuts from around the blade when it is rotating.
- NEVER hold hands or fingers close to the blade or on the workpiece in the path of the blade when the blade is rotating.
- The rip fence must always be securely fastened, otherwise the workpiece could be thrown backwards toward the operator.

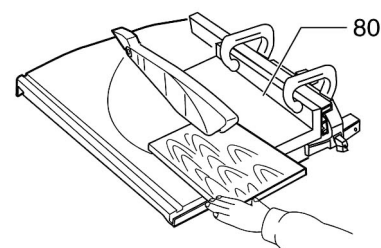
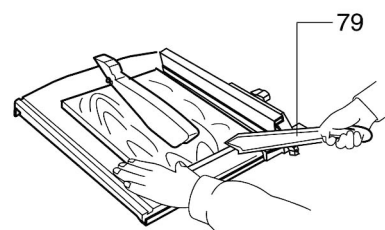
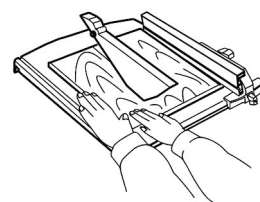
7.3 Rip cutting

Use the correct working procedures:

- Stand well-balanced in front of the saw.
- Do not stand in line with the saw blade in case it should break and fly straight at you.
- Use a push stick if one is needed.

Note:

- Remove the mitre guide from the table before starting to rip saw.
 - Use extension tables or supports when sawing long workpieces. The support should be at the same height as the saw table. Get an assistant to help you if necessary.
1. Adjust the cutting depth so that it is slightly more than the thickness of the workpiece. (See 9.4 Adjusting the cutting depth)
 2. Adjust the position of the rip fence and tighten the locking knobs (47) and (48) and the holder (45).
 3. Start the motor and feed the workpiece along the rip fence and past the saw blade.
 4. If the workpiece is wider than 150 mm two hands should be used, one to keep the workpiece pressed against the rip fence and the other to feed the workpiece forwards.
 5. If the workpiece is between 65 and 150 mm wide, a push stick (79) should be used to feed the workpiece forward whilst holding it against the rip fence with the other hand.
 6. If the workpiece is narrower than 65 mm, a sawing block (80) (not included) should be used otherwise the push stick could catch on the blade guard. Secure the sawing block using clamps. Start by feeding the workpiece into the blade by hand until the end is just over the edge of the table, then continue feeding the workpiece using a push stick and holding the workpiece down with another push stick.



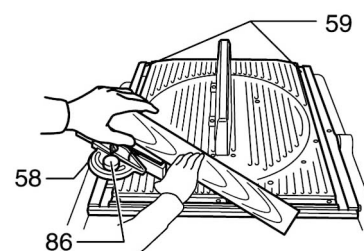
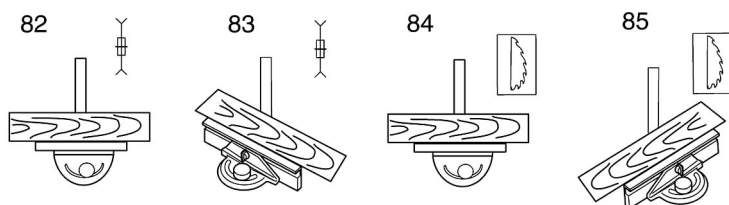
7.4 Using the mitre guide

Note:

- Remove the rip fence before using the mitre guide.
- Use extension tables or supports when sawing long workpieces. The support should be at the same height as the saw table. Get an assistant to help you if necessary.
- Keep hands and fingers away from the saw blade.

Mitre guide:

The mitre guide can be used in four different ways.



Warning!

- Make sure that the mitre guide locking knob is securely fastened.
- Do not exert so much pressure on the mitre guide that the angle is altered whilst cutting.
- Never hold onto the offcut or try to catch it as it falls away from the workpiece. Be aware of what you are doing, consider the dangers.

Using the mitre guide

Slide the mitre guide into one of the tracks (59) in the table. Undo the locking knob (86) and set the desired angle (0° to 60°). Place the workpiece against the mitre guide and move it slowly into the saw blade.

8. Using the combination saw as a compound mitre saw

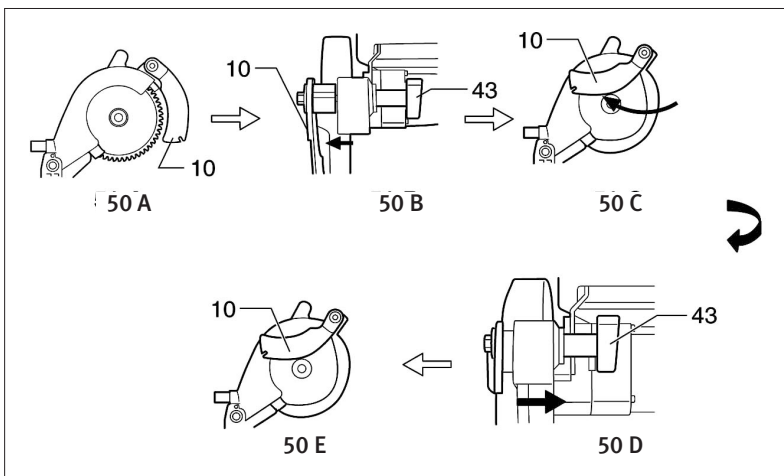
Set the machine to compound mitre saw mode

Warning: In compound mitre saw mode the lower blade guard (8) must be attached.

1. Remove the upper blade guard (11): Press in the lock (9), hold it in and lift the blade guard out of the notch on the riving knife.
2. Mount the lower blade guard (8), hook it onto the table and tighten the screws (17).
3. Turn the table over.

Warning: Things to consider before turning the table over:

- Switch the machine off using the emergency stop button. Unplug the machine. Make sure the blade is not rotating.
- Think about the position of your hands when turning the table. Hold the middle of the table edge and push down the control/selector (68). Turn the table carefully.
- Push down far enough to lock the control/selector (68) again.



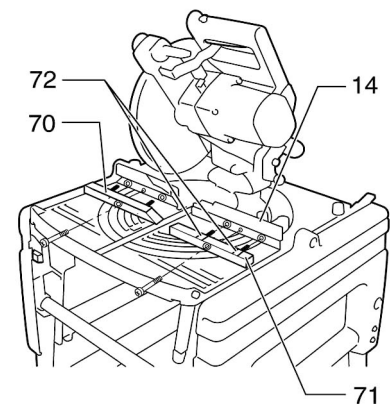
4. Unlocking the saw head from the lowered position: Pull out the saw head lock (28) and hold it, turn it 90° clockwise as shown by arrow B, grip the handle and carefully raise the saw head.

5. Moving the riving knife out of the way

- a) The riving knife (10) should be lifted up onto the side of the blade guard when the saw is used as a compound mitre saw.
- b) Undo the knob (43) and pull the riving knife to the side (Fig. 50-B), grip the adjustable blade guard (6) and hold it when it springs out.
- c) Lift the riving knife (10) in the direction of the arrow up alongside the blade guard (Fig. 50-C).
- d) Tighten the locking knob (43) (Fig. 50-D).

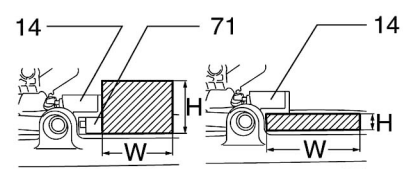
6. Attaching and detaching the lower mitre fences (70) and (71)

The lower mitre fences (70) and (71) should be used when sawing workpieces thicker than 20 mm. Remove them when sawing thin (<20 mm) and wide (>180 mm) workpieces. The lower mitre fences have guide pins (72) to make sure that they are in the correct position when attached.



An example of a cut requiring/not requiring the lower mitre fences (71).

Workpiece (h x w)	Use/Do not use lower fence.
68 mm x 155 mm	Use lower fence
20 mm x 210 mm	Do NOT use lower fence



8.1 Compound mitre saw operations

1. Sawing

Secure the workpiece to the saw table and fence. Start the motor and let it come up to speed. Carefully lower the handle and let the saw blade cut all the way through the workpiece. Release the power switch and let the saw blade come to a complete stop, grip the handle and raise it to maximum elevation.

2. Mitre cutting (turn the table to the desired angle)

See "9.2 Setting the table angle"

3. Bevel cutting (tilt the saw head to an angle of 0° to 45°)

- Undo the locking knob (20) and tilt the saw head to the desired angle. See "9.3 Setting the tilt angle." Remember to tighten the locking knob when the angle has been set. Secure the workpiece to the saw table and fence.
- Start the motor and let it come up to speed. Carefully lower the handle and let the saw blade cut all the way through the workpiece.
- Release the power switch and let the saw blade come to a complete stop, grip the handle and raise it to maximum elevation.

Warning!

- Make sure that the saw blade passes all the way through the workpiece without catching on anything. Keep hands out of the way when sawing.
- When cutting bevels one of the parts of the workpiece might lean against the blade during and after the cut. If the saw head is lifted before the saw blade has stopped rotating after the cut has been made, the piece of wood leaning against the blade could be ejected by the blade. - Release the power switch and let the saw blade come to a complete stop, grip the handle and raise it to maximum elevation after a cut has been made.
- Apply pressure in the direction of the saw blade during sawing; if you press straight down the cutting angle might alter during sawing and the cut will be less precise.

4. Compound cutting (bevel and mitre cutting at the same time)

Tilt the saw head and turn the table and cut at two angles at the same time.

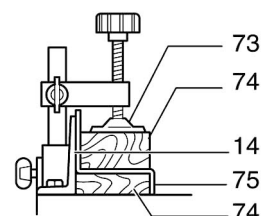
These angles can be used: Bevel sawing 0 - 45°, mitre sawing left and right 0 - 45°

5. Cutting aluminium section

Always use some form of wooden packing (74) between the clamp/table and the aluminium section (75), otherwise the surface of the aluminium could be damaged. Lubricate the saw blade with some kind of alcohol when sawing to prevent the aluminium cuttings from adhering to the teeth of the saw.

Note:

- Never attempt to saw thick or round section, thick section can come loose and round section can spin round, as it is difficult to fasten.
- Never attempt to saw aluminium with the table set in table saw mode.



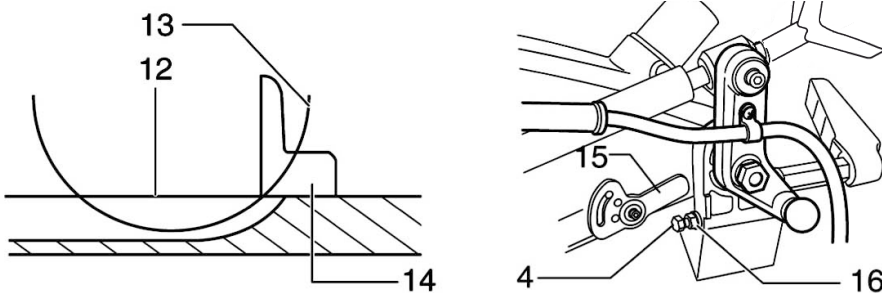
9. Settings

9.1 Setting the combination saw to maximum capacity

Warning! Always unplug the machine before cleaning or carrying out any adjustments or maintenance.

The combination saw is factory preset to cut at a maximum of 250 mm using the supplied saw blade. The setting might need changing if the saw blade is changed, check and adjust if necessary.

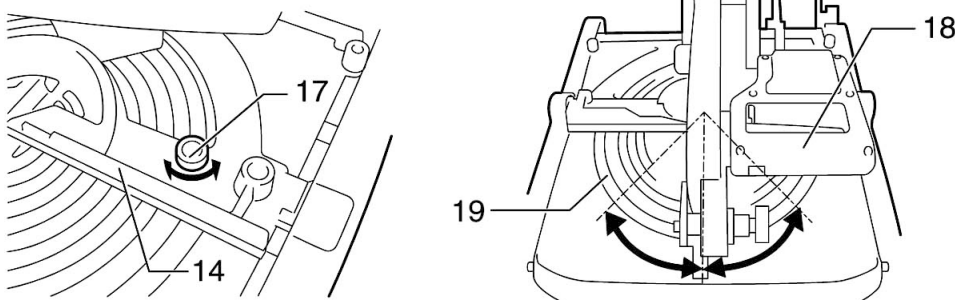
1. Push the depth stop (15) down towards the bolt (4), slide the safety catch (3) to the side and lower the saw head as far as it will go.
2. The teeth of the saw blade (13) should just break the surface of the table (12) at the point where the fence (14) begins. Adjust the saw blade if it is not correctly mounted.
3. Adjust as follows: Undo the locking nut (16) adjust the bolt (4) until the saw blade is at the correct height, then tighten the locking nut (16) again.
4. Test by hand that the blade moves freely and does not catch on anything.



5. The saw can be used with or without the depth stop (15):
 - Turn it anticlockwise for sawing wide and thin workpieces.
 - Turn the depth stop (15) back clockwise until it touches the setting screw (4) for sawing thick workpieces.

9.2 Setting the table angle (mitre cutting)

1. Turn the locking knob (17) anticlockwise, turn the table to the desired angle. The table has ball locks at the most commonly used angles. The angle setting is indicated by the index arrow.
2. Tighten the locking knob (17) to lock the table at the desired angle.

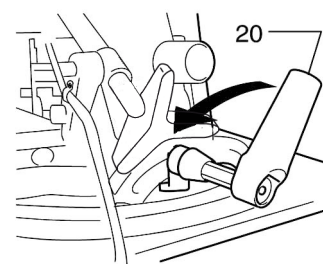


9.3 Setting the tilt of the blade (bevel cutting)

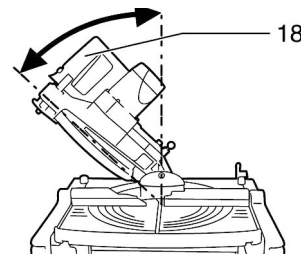
Remember to check that the blade can rotate freely after every adjustment. The angle between the saw blade and the fence must be exactly 90°.

Compound Mitre Saw

1. Turn the locking knob (20) anticlockwise, turn the saw head to the right until the desired angle is shown on the scale.
2. Tighten the locking knob (20) to lock the saw head at the desired angle.

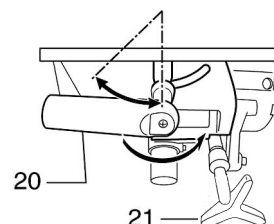


Note: Make sure that the handle (18) is at maximum elevation before the blade is tilted. Remember to tighten the locking knob (20) after changing the blade tilt angle.



Circular Saw

1. Turn the locking knob (20) anticlockwise, turn the saw head to the left until the desired angle is shown on the scale.
2. Tighten the locking knob (20) to lock the saw head at the desired angle.



9.4 Adjusting the cutting depth

Adjust the cutting depth of the saw when the saw is in circular saw mode (motor under table). Turn the adjustment knob (21) anticlockwise to raise the saw blade and clockwise to lower it.

Warning: Adjust the blade so that it does not protrude too long through the table when cutting thin material, it should just be slightly higher than the thickness of the material.

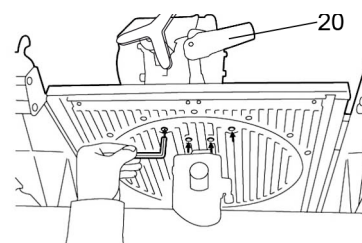
Note: The lock (28) cannot be altered when the saw head is under the table.

9.5 Adjusting the cutting angle settings

The combination saw is carefully calibrated at the factory, but the settings need to be checked from time to time. (The saw should be in compound mitre saw mode)

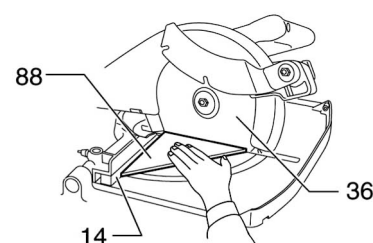
Adjusting the mitre angle:

1. The four adjusting screws are located underneath the table, undo them.
2. Lower the saw head as far as possible and lock it using the saw head lock (28).
3. Place a try square on the table, hold it against the fence and saw blade.
4. Turn the table until "0" lines up with the index arrow on the table.
5. Tighten the screws.



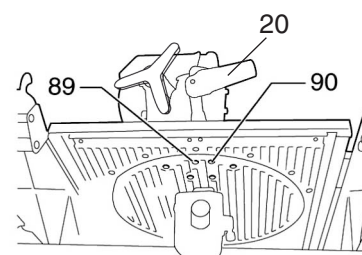
Adjusting the tilt angle 0°:

1. Lower the saw head as far as possible and lock it using the saw head lock (28).
2. Undo the locking lever (20) on the back.
3. Unscrew the adjustment bolt (89) 2 – 3 turns anticlockwise.
4. Screw the adjustment bolt (89) back clockwise to the correct angle.
5. Adjust the position of the index arrow if necessary so that it is set to "0".



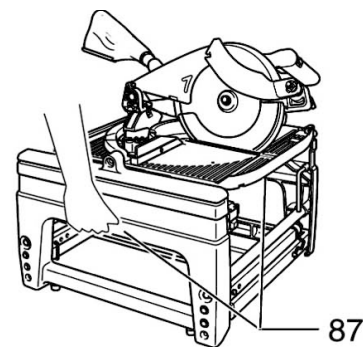
Adjusting the tilt angle 45°:

1. First adjust the tilt angle 0°.
2. Tilt the saw head down to the left as far as it will go.
3. Turn the adjustment bolt (90) until the arrow points to "45".



10. Transporting the combination saw

- Make sure that the machine is unplugged before starting to disassemble the saw.
- The saw should be in compound mitre saw mode: Set the table angle to 0° and the saw head angle to 0°. Lower the saw head to its lowest setting and lock it using the saw head lock (28).
- Carry the saw as shown in the figure.



Warning!

- Make sure that all moving parts are fastened before lifting the saw. Remove any added accessories.
- The saw should be in compound mitre saw mode when it is to be transported.
- The lower blade guard (8) must be attached when the saw is transported.

11. Storing the combination saw

Warning!

- Do not store the saw in a place where unauthorised persons could start it or be injured by it. Push the emergency stop button in and disconnect the machine from the power supply.
- Store the saw indoors, in a dry area, protected from rain and moisture.

12. Maintenance

Check these points before starting:

- That the mains lead and plug are undamaged, that the guards are intact and working properly, that the blade rotates without catching on anything and that the distance between the riving knife and blade is 5 – 6 mm.
- That the saw blade is not cracked, that none of the tungsten carbide teeth are missing and that the blade is not warped or distorted.
- Remove sawdust and waste from the saw using a vacuum or dust extractor.
- Grease controls and threaded spindles.
- Checks to be made after every 300 hours of use:
- Make sure that all screws, nuts and bolts are tight, if not tighten them.
- Make sure that the return spring works properly and returns the saw head to its fully upright position, change the spring if necessary.
- Check all stop screws and the scale settings.

13. Reparation

Warning!

The combination saw must only be repaired by a qualified tradesman using original spare parts.



14. Protecting the environment

Sort and recycle products instead of disposing of them. All machines and packaging material should be sorted and handled according to local environmental regulations.

15. Troubleshooting

Inspect all safety devices after the machine has been repaired.

- **The motor does not start.**
Inspect the cable, plug and fuses.
The no-volt release might have tripped. Try starting the machine again.
- **The saw blade has jammed on something and the fuse has blown.**
Depress the emergency stop button, unplug the mains lead and remove the obstruction that the blade has jammed on.
Replace the fuse and start the saw as normal.
- **Poor performance.**
Replace the blade or have it sharpened by a professional.

16. Technical Specification

Rated Voltage:	230 V AC, 50Hz
Output Power:	1800 W
No load RPM:	4200/min
Saw blade:	Ø 250x30x2.8 mm
Protection class:	□ II
Table size:	545 x 505 mm
Weight:	35 kg
Saw blade tilt:	0° to 45°
Mitre sawing:	+ 45° to - 45° (in compound mitre saw mode)

Dimensions

Legs folded:	710 x 680 x 610mm.
Legs extended:	710 x 680 x 1,000 mm.
Maximum cutting depth:	70 mm (as table saw) 65 mm (as compound mitre saw)

Kombinationssåg

ART.NO: 18-3068 MODEL: 92502-UK
30-9869 92502

Läs igenom hela bruksanvisningen före användning och spara den sedan för framtida bruk. Vi reserverar oss för ev. text- och bildfel samt ändringar av tekniska data. Vid tekniska problem eller andra frågor, kontakta vår kundtjänst (se adressuppgifter på baksidan).



Viktiga säkerhetsanvisningar, läs hela bruksanvisningen innan användning av produkten.

1. Säkerhet

Varning! När du använder denna maskin ska grundläggande försiktighetsåtgärder iakttas för att minska risken för brand, elektrisk chock och personskada. Läs alla dessa instruktioner innan du använder produkten och spara dessa instruktioner.

1. Håll arbetsplatsen ren. Belamrade ytor och bord inbjuder till olyckor.
2. Tag hänsyn till arbetsmiljön. Utsätt inte maskinen för regn. Använd inte maskinen i fuktiga eller våta utrymmen. Håll arbetsplatsen väl upplyst. Använd inte maskinen i närheten av lättantändliga vätskor eller gaser.
3. Undvik elektrisk chock. Undvik kroppskontakt med jordade föremål som t.ex. vattenledningar, element, köksspisar och kylskåp.
4. Håll andra människor på avstånd. Låt inga människor, speciellt inte barn, som inte deltar i arbetet röra vid maskinen eller dess skarvsladdar. Håll dem på avstånd från arbetsplatsen.
5. Förvara maskinen i ett säkert utrymme. När maskinen inte används, förvara den i ett torrt låst utrymme utom räckhåll för barn.
6. Överbelasta inte maskinen. Det gör jobbet bättre och säkrare med avsedd matningshastighet.
7. Använd rätt maskin. Pressa inte små maskiner att utföra stora jobb som kräver kraftfullare maskiner. Pressa inte en maskin eller en tillsats att göra ett arbetsmoment som den inte är gjord för; använd t.ex. inte en cirkelsåg för att kapa trädgrenar eller timmer.
8. Bär lämplig klädsel. Bär inga löst sittande kläder eller smycken, de kan fastna i roterande delar. Halksäkra skor rekommenderas vid arbete utomhus. Bär hårnät eller liknande om du har långt hår.
9. Bär alltid skyddsglasögon. Använd också dammfilter eller skyddsmask vid dammande arbeten.
10. Använd utsugningsutrustning. Om maskinen är förbered för anslutning av utrustning för utsugning och uppsamling av damm, se till att utrustningen är ansluten och korrekt använd.
11. Misshandla inte nätsladden. Ryck inte i sladden, utan dra i stickproppen när du ska ta ur den ur vägguttaget. Se till att nätsladden inte kommer i kontakt med värme, olja eller vassa kanter.
12. Sätt fast ämnet ordentligt. När det är möjligt, använd tvingar eller skruvstäd för att sätta fast arbetsstycket. Det är säkrare än att hålla fast ämnet med ena handen.
13. Sträck dig inte för långt. Se till att du hela tiden står säkert med god balans.
14. Håll maskinen i trim. Se till att den är ren och eggarna vassa för optimal effekt och ett säkert resultat. Följ manualens rekommendationer för smörjning och byte av tillbehör. Kontrollera nätsladden regelbundet. Om den är skadad ska den bytas av en kvalificerad servicetekniker. Syna alla skarvsladdar regelbundet så att de inte är skadade. Se till att maskinens handtag och reglage är torra, rena och helt fria från olja, fett etc.
15. Slå av strömmen. Dra ur stickproppen och tryck in nödstoppet före service och vid byte av tillbehör som hyvelstål, borrar, stål, slipband eller blad.

16. Ta bort alla nycklar och serviceverktyg. Gör det till en vana att kontrollera att alla nycklar och serviceverktyg är borttagna från maskinen innan du slår på strömmen.
17. Undvik oavsiktlig start. Bär inte en maskin med ett finger på strömbrytaren/avtryckaren om sladden sitter i ett uttag. Se till att strömbrytaren står på OFF när du sätter in stickproppen.
18. Använd rätt skarvsladdar. Om du använder skarvsladdar utomhus, använd endast de som är avsedda för utomhusbruk. Använd skarvsladdar med tillräcklig ledararea och rulla ut hela sladden.
19. Använd sunt förnuft och var försiktig. Tänk efter innan du utför ett arbetsmoment, så att du kan utföra det på ett säkert sätt. Använd inte maskinen när du är trött, påverkad av mediciner etc.
20. Kontrollera följande innan du startar maskinen:
 - Att alla skydd och övriga delar är oskadade och fyller sin funktion.
 - Att rörliga delar kan rotera fritt och är rätt inriktade.
 - Att inga rörliga delar kan fastna.
 - Att ingen defekt har uppstått.
 - Andra omständigheter som kan påverka arbetets utförande.
 - Ett skydd eller någon annan del som skadats, skall repareras fackmässigt eller bytas ut. Skadade nätsladdar och strömbrytare ska alltid bytas ut av tillverkaren eller dess serviceställe. Använd aldrig maskinen om du inte kan stänga av eller starta det på ett betryggande sätt.
21. Använd rekommenderade tillbehör. Användning av ej rekommenderade tillbehör kan vålla olyckor eller risk för personskada.
22. Repareras endast av kvalificerad tekniker. Maskinen överensstämmer med gällande säkerhetskrav. Reparationer av maskinen ska alltid utföras av fackman, med originalreservdelar, annars kan maskinen vålla olyckor eller risk för personskada.

1.2 Särskilda säkerhetsföreskrifter för kombinationssåg

Varning! Dra ur nätsladdens stickpropp före service eller byte av klinga.

Tänk på detta:

- Att arbeta i trä kan vara farligt om man inte gör på rätt sätt!
 - Om du använder sågen med sunt förnuft och försiktighet minskar du avsevärt riskerna för personskada.
 - Säkerhetsutrustning i form av skydd, påskjutare, tvingar, skyddsglasögon, dammfilter och hörselskydd kan inte kompensera dåligt omdöme, vårdslöshet eller ouppmärksamhet!
 - Kom ihåg: du ansvarar själv för din egen säkerhet. Sågen har konstruerats för vissa arbetsuppgifter. Vi rekommenderar starkt att du inte ändrar sågen eller använder den till något annat än det som den har konstruerats för.
 - Använd inte sågen om du är osäker på om den kan eller bör användas på så sätt som du har tänkt göra!
Kontrollera att alla delar fungerar tillfredsställande och att säkerhetsanordningarna skyddar som avsett innan du startar sågen!
1. **Varning!** Använd endast kapklingor. Se till att hårdmetallklingorna har negativ tandning. Använd inga klingor med djupa mellanrum mellan tänderna eftersom de kan böjas och komma i kontakt med klingskyddet. En skadad sågklinga ska omedelbart bytas ut!
 2. Använd inte sågen förrän den är helt och rätt monterad enligt den här bruksanvisningen. Kontrollera motorns och klingans rotationsriktning (se rotationspil på klingskyddet). Kontrollera att inte sågklingan vidrör rotationsbordet i någon inställning. Dra ur stickproppen och luta sågklingan manuellt i 45° och 90°. Justera såghuvudet om det behövs.
 3. Om du inte förstår hur sågen ska hanteras bör du be någon kunnig person om råd.
 4. Såga inte på fri hand. Fixera ämnet säkert mot anslaget på lämpligt sätt innan du börjar såga! Om ämnet som du sågar kräver att du har ena handen så nära klingan som ca 10 cm ska du alltid låsa ämnet i läge med en tving etc. innan sågning.
 5. **Varning!** Håll händerna borta från sågklingan. Såga aldrig små bitar. Använd påskjutare!

6. Kontrollera att klingan är väl centrerad, vass, löper fritt och utan vibrationer.
7. Låt motorn komma upp i varv innan du börjar såga.
8. Håll motorns ventilationsöppningar rena och fria från spån.
9. Se alltid till att alla tvingskruvar är åtdragna innan du börjar såga, även om bordet är fixerat i fast vinkelläge.
10. Se till att klingan och flänsarna är rena och att spindelmuttern är åtdragen, använd endast de klingflänsar som hör till just din såg.
12. Använd endast sågklingor med diameter och hastighetsklassning som anges i maskinens tekniska specifikation.
13. Ordna lämpligt extra stöd vid sågning av långa ämnen.
14. Kontrollera alltid före sågning att klingan inte är spräckt eller skadad. Byt omedelbart ut en sådan klinga!
15. Använd inte sågen om någon komponent till sågen fattas, är skadad eller fungerar felaktigt, dra ur stickproppen till sågen om den börjar låta konstigt eller vibrera. Låt en fackman byta ut den komponent som fattas eller inte fungerar innan du använder sågen igen.
16. Såga aldrig om skydden inte sitter på plats och fungerar problemfritt!
17. Sträck dig aldrig runt eller bakom klingan när den roterar. Stå stadigt så att du alltid kan behålla balansen.
18. Kontrollera att klingan kan rotera fritt (särskilt efter transport och/eller klingbyte) innan du sätter i stickproppen och startar sågen.
19. Lås aldrig strömbrytaren i läge ON.
21. **Viktigt!** När du kapat helt genom ämnet: Släpp strömbrytaren och vänta tills klingan slutat rotera innan du lyfter upp såghuvudet.
22. Släpp strömbrytaren och vänta tills klingan stannat innan du flyttar ämnet eller ändrar någon inställning.
23. Ta inte bort fastnade eller avkapade bitar förrän klingan har stannat.
24. Såga aldrig i järnhaltiga metaller eller i tegel eller murbruk.
25. Använd aldrig sågen i närheten av lättantändliga gaser eller vätskor.
26. Rengör aldrig sågens plastdelar med lösningsmedel. Lösningssmedlen kan lösa upp plasten eller skada materialet på annat sätt, rengör endast med en mjuk och fuktad duk.
27. Dra ur nätsladdens stickpropp och gör ren sågen innan du lämnar den. Se till att arbetsytan är städad när du avslutar arbetet.
28. Spar denna bruksanvisning. Titta igenom den ofta och använd den för att instruera andra. Se till att alla personer som använder sågen läser dessa instruktioner.
29. Utsätt inte sågen för regn och använd den inte i fuktig miljö.
30. Ordna god belysning på arbetsplatsen.
31. Använd lämpliga arbetskläder, löst hängande kläder eller smycken kan fastna i roterande delar.
32. Användare ska vara minst 18 år, användare som är 16 år ska ha uppsikt av instruktör vid användning av sågen. Håll barn borta från sågen när den är ansluten till eluttag.
33. Håll ordning på din arbetsplats låt inte avkap eller annat skräp ligga framme i onödan. Se till att spillbitarna kan avlägsnas från sågklingan, de kan annars kastas iväg av sågklingan.
34. Distrahera inte personer som arbetar med sågen.
35. Försök inte att stanna klingan genom att trycka något emot klingans sida när du har stängt av strömmen till sågen
36. Använd aldrig sågklingor som inte överensstämmer med specifikationer i denna manual.
37. Det är viktigt att alltid kontrollera att alla skydd som täcker sågklingan fungerar bra.
38. Lås aldrig fast skyddshuven i öppet läge och demontera aldrig maskinens skydd och ändra inte deras funktion. Använd aldrig en skadad eller felaktig säkerhetsanordning, byt ut omedelbart!

39. Se till att placera händerna på ett säkert sätt, så att de inte åker in i sågklingan om du tappar balansen. Såga aldrig ämnen som är så små att de inte går att hålla i på ett säkert sätt.
40. Använd ett bord, rullstöd etc. som stöd när du arbetar med långa arbetsstycken, så att inte maskinen tappar.
41. Spänn fast runda arbetsstycken med lämpliga anordningar, så att de inte kan rotera.
42. Det får aldrig vara spikar eller andra främmande delar i ämnet som ska sågas.
43. Stå alltid vid sidan av sågklingan när maskinen används, så att inte du träffas av klingan om den går sönder.
44. Tryck alltid arbetsstycket mot bordet och anhållet vid sågning så att det inte kan vrida sig eller röra sig under sågningen.
45. Såga aldrig flera arbetsstycken samtidigt.
46. Försök aldrig att ta bort spån, flisor eller trä som har fastnat, när sågklingan roterar. Om du ska justera maskinen eller ta bort bitar som har fastnat, stäng alltid av maskinen först och dra ur nätsladdens stickpropp.
47. Om du ska ändra, justera eller rengöra maskinen eller mäta arbetsstycket, stäng alltid av maskinen först och dra ur nätsladdens stickpropp.
48. Stäng av motorn och dra ur nätsladdens stickpropp när du lämnar din arbetsplats.
49. Elinstallation, reparation eller underhåll ska endast utföras av yrkesman.
50. Alla skydd och säkerhetsanordningar ska återmonteras omedelbart efter reparation eller underhåll.
51. Det är viktigt att följa tillverkarens säkerhets-, användnings- och underhållsanvisningar, likaväl som att följa de dimensionsanvisningar som anges i "tekniska data".
52. Det är nödvändigt att följa arbetarskyddsstyrelsens regler likaväl som andra generella säkerhetsregler.
53. Använd endast maskinen med spånutsugning i stängt rum, om rummet har tilluftsanslutning, för att undvika vakuum i rummet.
54. Sågen ska endast anslutas till uttag med 230V som är säkrat med min. 10 A trög.
55. Skadade säkerhetsanordningar och delar ska bytas ut eller repareras av yrkesman hos auktoriserad serviceverkstad.
56. Denna maskin överensstämmer med alla relevanta säkerhetsbestämmelser. Maskinen får endast repareras av yrkesman hos auktoriserad serviceverkstad med originaldelar. Om du inte följer denna regel kan det leda till olyckstillbud och utsätta användaren för fara.
57. Använd inte sågklingor som är tjockare eller tunnare än klyvkniven (gäller cirkelsågar).
58. Använd alltid klyvkniv vid klyvning.
59. Kontrollera att klyvkniven är så justerad att: Avståndet mellan sågklingans tänder och klyvkniven är mellan 5-6 mm.
60. Klyvkniven ska ha en radie som motsvarar sågklingans diameter.
61. Använd inte snabbstålsklingor (HSS) om maskinen levereras med hårdmetallklinga.

2. Produktmärkning med säkerhetssymboler på maskinen



Använd alltid hörselskydd

Använd alltid skyddsglasögon eller visir och andningskydd

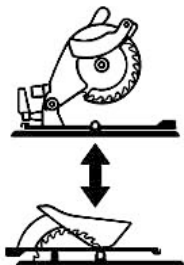


Följs inte dessa varningar kan det leda till olycksfall eller skada på maskinen.

Fortsätt att hålla ner såghuvudet tills sågklingen har stannat helt efter fullbordat sågskär för att undvika att skadas av flygande spånor eller vassa stickor.



Dra ur nätsladdens stickpropp innan bordet vänds för byte av arbetsmetod.



Observera att klingbulten är vänstergängad.



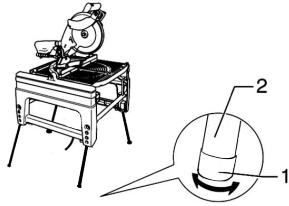
Ta bort spillbitar, spån, etc. från bordet innan kombinationssågen används.



Tänk på var du placerar händerna om kombinationssågen ska bäras.

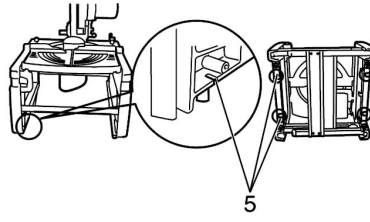
3. Beskrivning

①



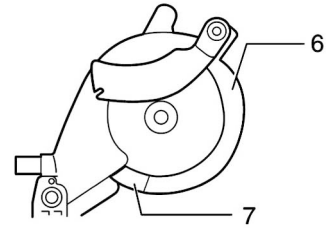
- 1. Justeringsfot
- 2. Ben

②



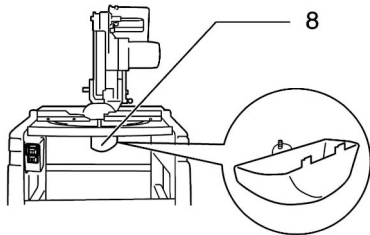
- 5. U-formade fästen

③



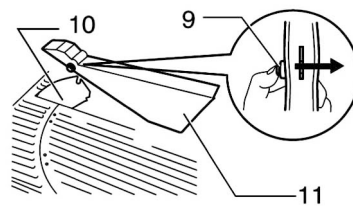
- 6. Rörligt klingskydd
- 7. Fast klingskydd

④



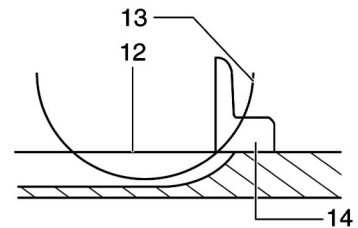
- 8. Undre klingskydd (används endast i kap- & geringsläge)

⑤



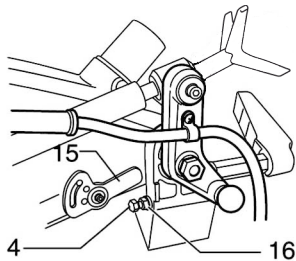
- 9. Spärr till övre klingskydd
- 10. Klyvkniv
- 11. Övre klingskydd (används endast med bordet i cirkelsågsläge)

⑥



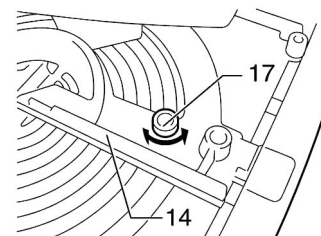
- 12. Övre yta på bordet
- 13. Klingans ytterdiameter
- 14. Anhåll

⑦



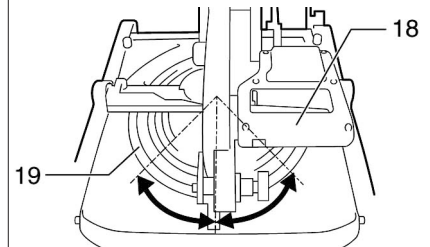
- 4. Bult
- 15. Djupstopp
- 16. Låsmutter

⑧



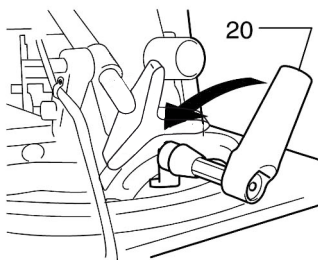
- 14. Anhåll
- 17. Låsvred

⑨



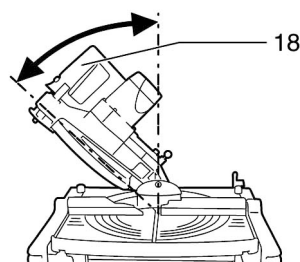
- 18. Handtag
- 19. Vridbart bord

⑩



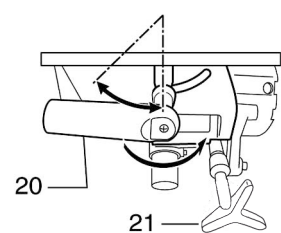
- 20. Låsvred

⑪

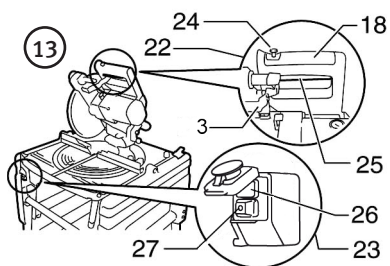


- 18. Handtag

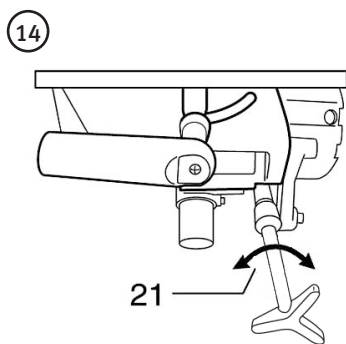
⑫



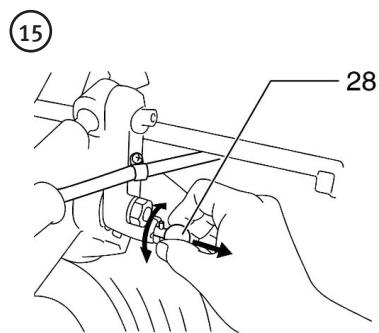
- 20. Låsvred
- 21. Inställningsratt för sågdjup



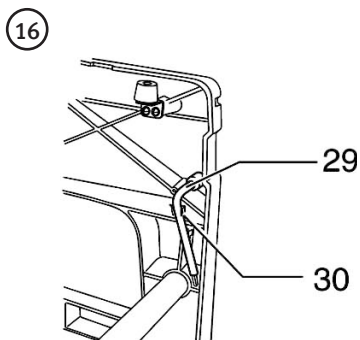
- 18. Handtag
- 3. Spärr
- 22. Strömbrytare (kap- & geringsläge)
- 23. Strömbrytare/Nödstopp (cirkelsågsläge)
- 24. Säkerhetsspärr
- 25. Strömbrytare i handtaget (kap- & geringsläge)
- 26. Strömbrytare (grön) ON-PÅ (cirkelsågsläge)
- 27. Strömbrytare (röd) OFF-AV (Nödstopp med locket)



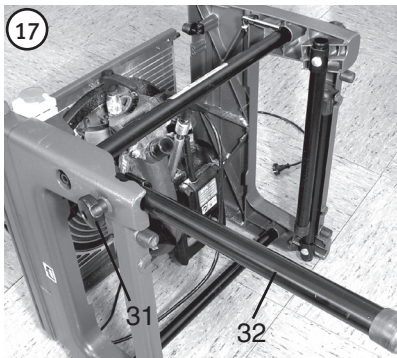
21. Inställningsratt för sågdjup



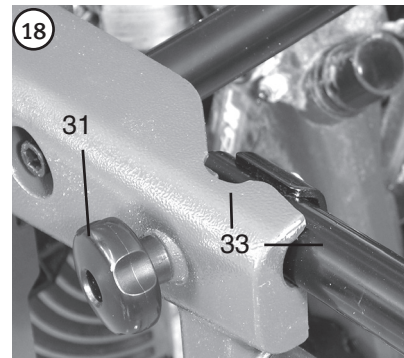
28. Spärr till såghuvud



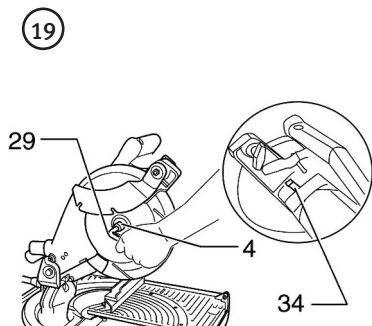
- 29. Nyckel 13 mm till sågklinga
- 30. Hållare till nyckel



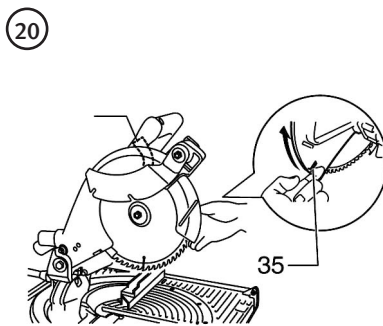
- 31. Låsraatt till ben
- 32. Ben



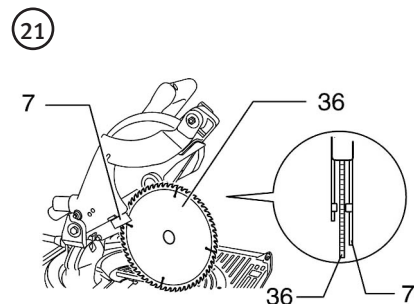
- 31. Låsraatt till ben
- 33. Säte för ben



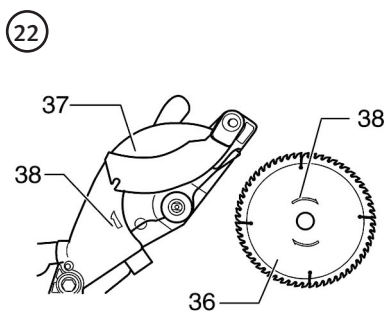
- 4. Bult
- 29. Nyckel 13 mm till sågklinga
- 34. Spindellås



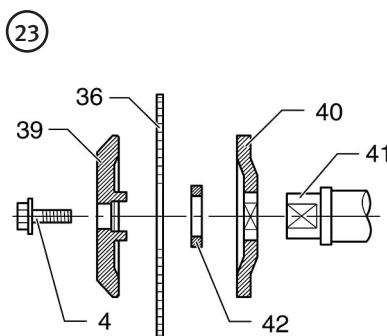
- 35. Lyftflik



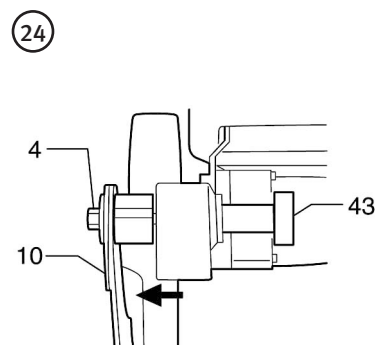
- 7. Fast kling skydd
- 36. Sågklinga



- 36. Sågklinga
- 37. Klingkåpa
- 38. Rotationspål

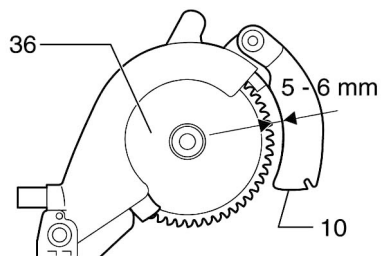


- 4. Bult
- 36. Sågklinga
- 39. Yttre klingfläns
- 40. Inre klingfläns
- 41. Spindel
- 42. Iläggsbricka



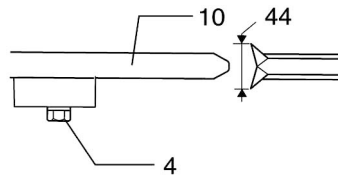
- 4. Bult
- 10. Klyvkniv
- 43. Låsred till klyvkniv

25



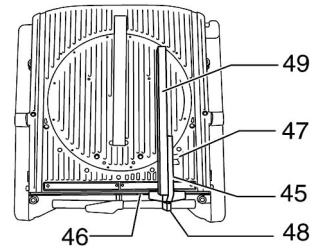
10. Klyvkniv
36. Sågklinga

26



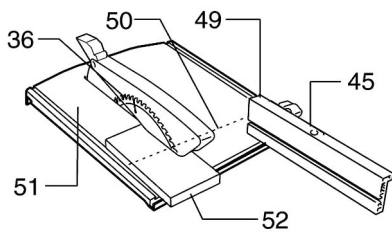
4. Bult
10. Klyvkniv
44. Sågklingans bredd

27



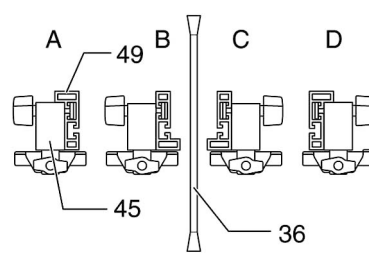
45. Hållare för klyvlinjal
46. Spår för klyvlinjal
47. Låsvred för skena
48. Låsvred för klyvlinjal
49. Skena för klyvlinjal

28



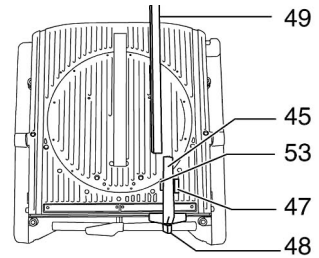
36. Sågklinga
45. Hållare för klyvlinjal
49. Skena för klyvlinjal
50. Linje att ställa in mot
51. Bord cirkelsåg
52. Arbetsstycke

29



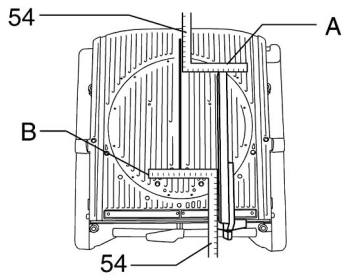
36. Sågklinga
45. Hållare för klyvlinjal
49. Skena för klyvlinjal

30



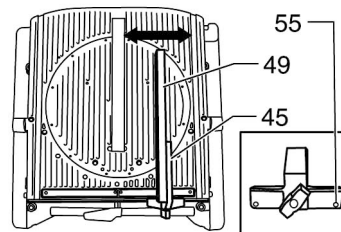
45. Hållare för klyvlinjal
47. Låsvred för skena
48. Låsvred för klyvlinjal
49. Skena för klyvlinjal
53. Mutter

31



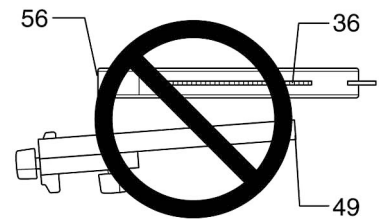
54. Vinkelhake (medföljer ej)

32



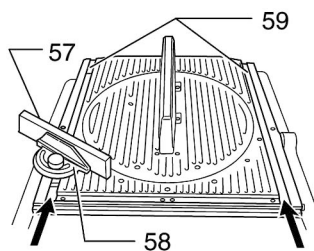
45. Hållare för klyvlinjal
49. Skena för klyvlinjal
55. Justeringssskruv

33



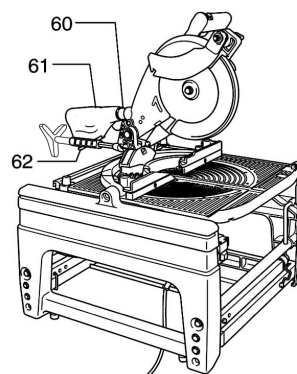
36. Sågklinga
49. Skena för klyvlinjal
56. Övre klingskydd

34



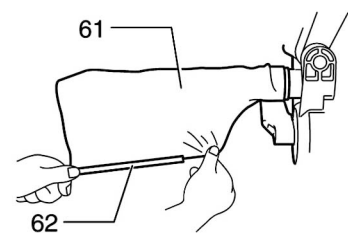
57. Skena till geringslinjal
58. Geringslinjal

35



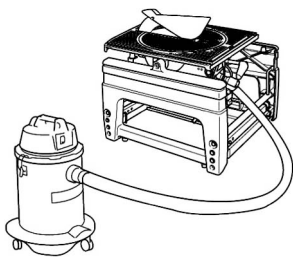
60. Anslutning för damppåse/utsug
61. Damppåse
62. Dragkedja

36

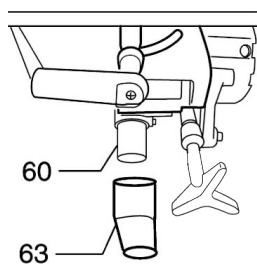


61. Damppåse
62. Dragkedja

37

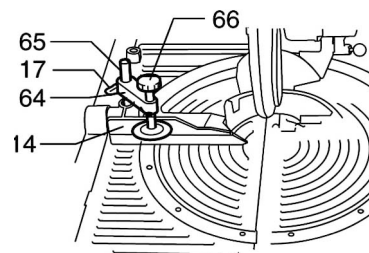


38



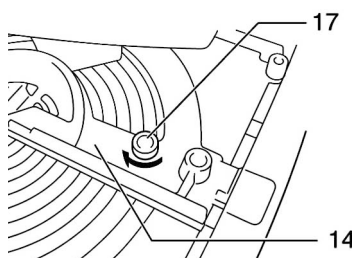
60. Anslutning för dammpåse/utsug
63. Vinkelanslutning för dammpåse/utsug

39



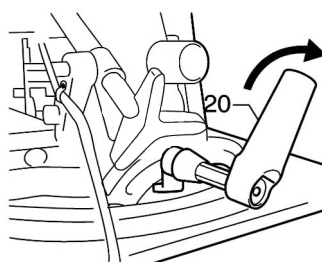
14. Anhåll
17. Låsvred
64. Tvingarm
65. Tvingstång
66. Tvingvred

40



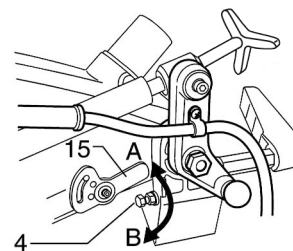
14. Anhåll
17. Låsvred

41



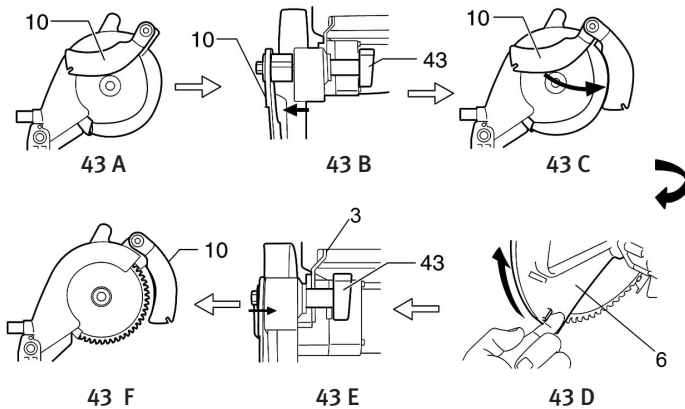
20. Låsvred

42



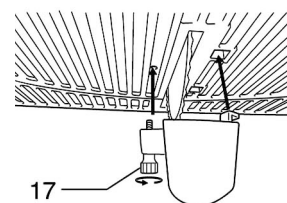
4. Bult
15. Djupstopp

43



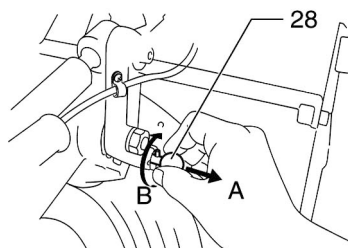
10. Klyvkniv
43. Låsvred till klyvkniv

44



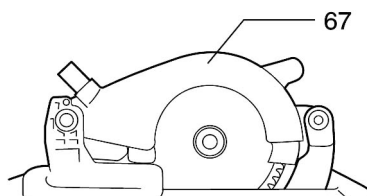
17. Låsvred

45



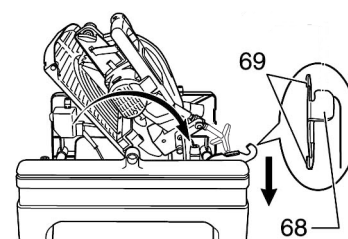
28. Spärr till såghuvud

46



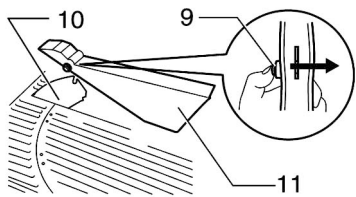
67. Klingkåpa

47



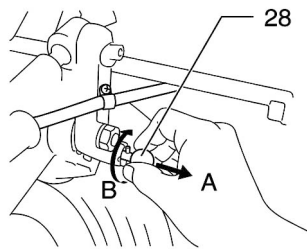
68. Reglage/spärr för omställning kap- & gering till cirkelsåg
69. Hakar

48



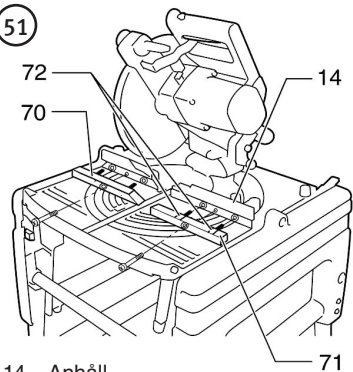
- 9. Spärr till övre klingskydd
- 10. Klyvkniv
- 11. Övre klingskydd (används endast med bordet i cirkelsågsläge)

49



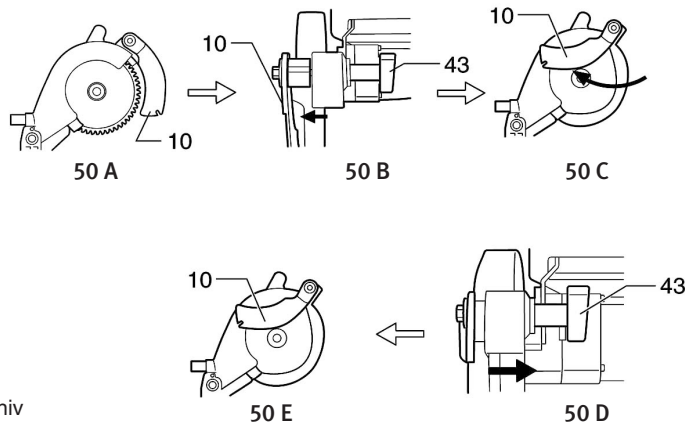
28. Spärr till såghuvud

51



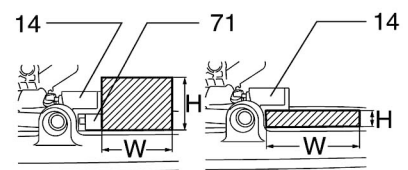
- 14. Anhåll
- 70. Nedre anhåll vänster
- 71. Nedre anhåll höger
- 72. Styrpinnar

50



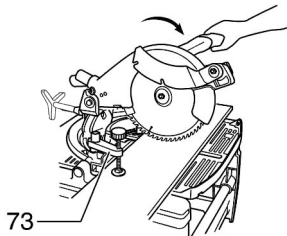
- 10. Klyvkniv
- 43. Låsvred till klyvkniv

52



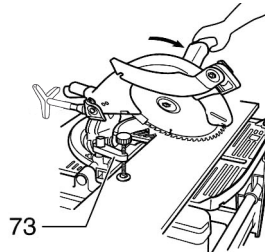
- 14. Anhåll
- 71. Nedre anhåll höger

53



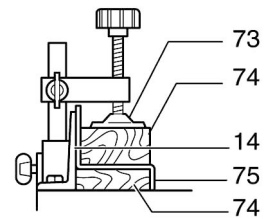
73. Tving

54



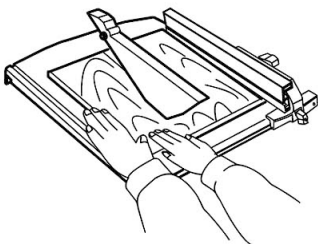
73. Tving

55

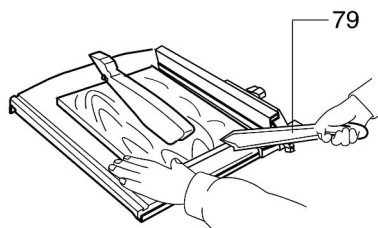


- 14. Anhåll
- 73. Tving
- 74. Trämellanlägg
- 75. Aluminiumprofil (arbetsstycke)

56

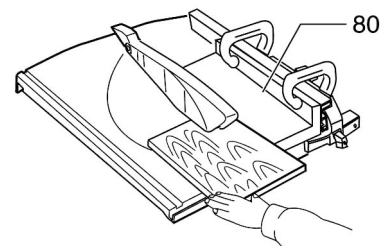


57



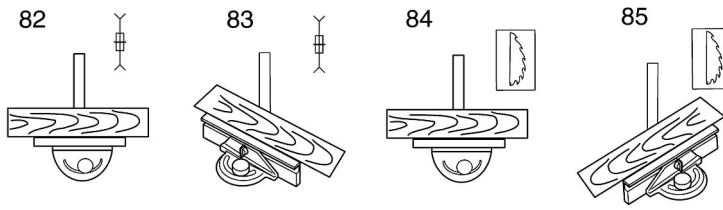
79. Påskjutare

58

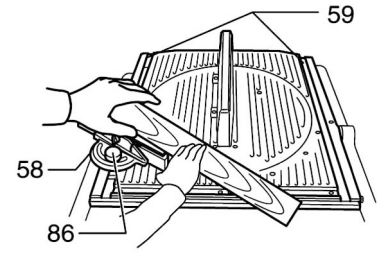


80. Eget anhåll (medföljer ej)

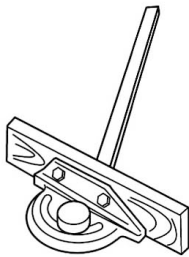
59



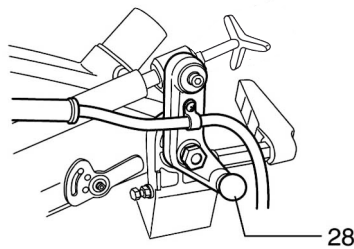
60



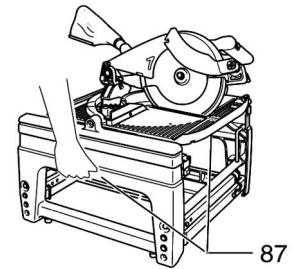
61



62



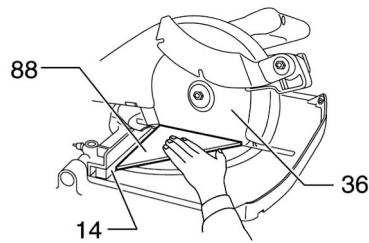
63



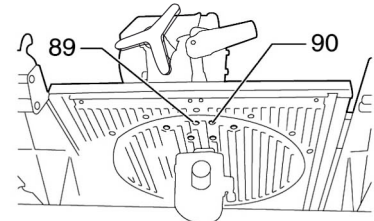
64



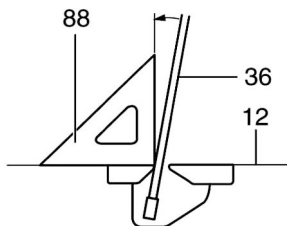
65



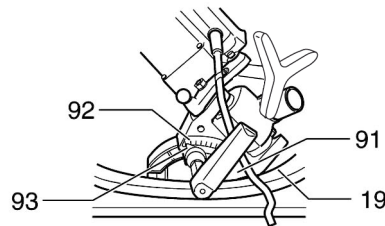
66



67



68

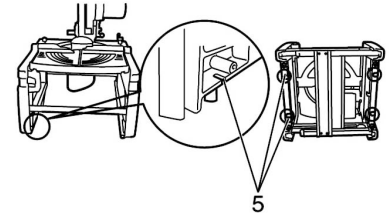


Bordscirkelsåg: (motorn under bordet)
Kap & geringsåg: (motorn över bordet)

4. Gör sågen klar för användning

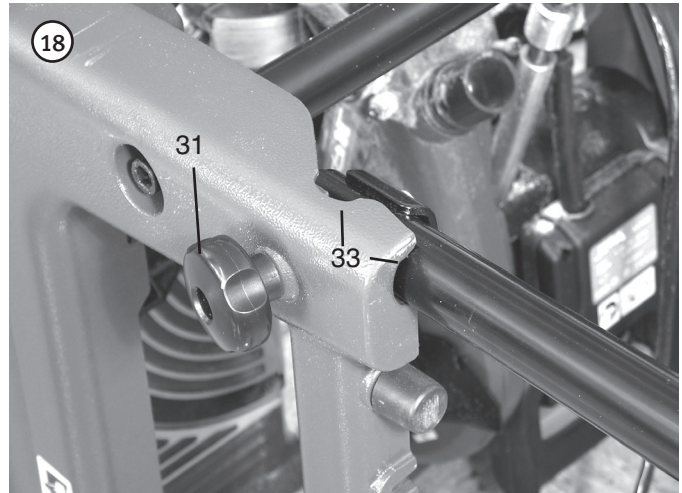
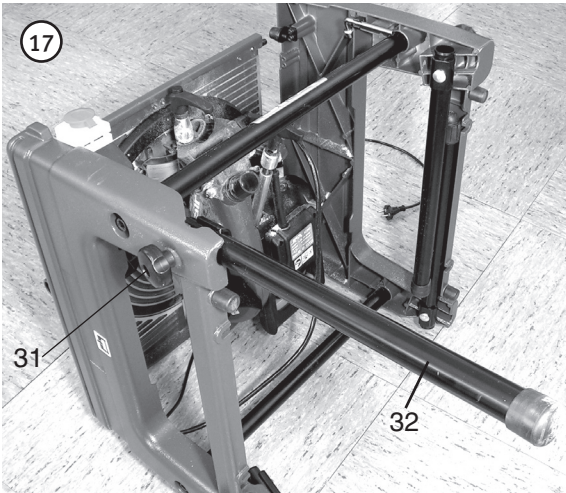
Obs!

- Se alltid till att golvet runt maskinen är avstädat från spillbitar, spån eller annat som utgör en snubbelrisk.
- Kombinationssågen kan användas stående på golvet med benen utvikta eller monterad på en bänk med benen invikta.
- Om kombinationssågen ska monteras på en bänk, bord etc. måste den förankras med genomgående bultar igenom skivan och de U-formade fästena (5) på sågen. Fig. 2



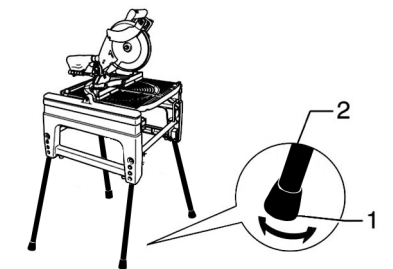
4.1 Vik ut benen

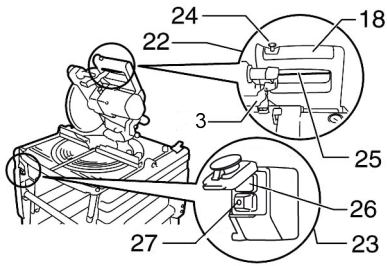
1. Lägg kombinationssågen på ena sidan.
2. Lossa de stora rattarna (31) som låser fast benen.
3. Vik ut benen och dra åt rattarna igen så att benen blir låsta i utfällt läge.
4. Gör lika med andra sidan.



Justera benen

Benen måste stå stadigt på underlaget, justera vid behov med justeringsfoten (1) längst ner på ett av benen om golvet är ojämnt. Vrid motsols för att skruva in och medsols för att skruva ut den.





5. Funktionsbeskrivning

5.1. Start/stopp

Start och stopp av kombinationssågen sker på olika sätt beroende på hur sågen används:

I läge cirkelsåg: (motorn under bordet)

Start och stopp sker med strömbrytaren (23) (under det gula locket).

- Tryck på den gröna knappen (26) för att starta motorn.
- Tryck på den röda knappen (27) för att stänga av maskinen.

I läge kap- & geringssåg: (motorn över bordet)

Start och stopp sker med strömbrytaren (22)

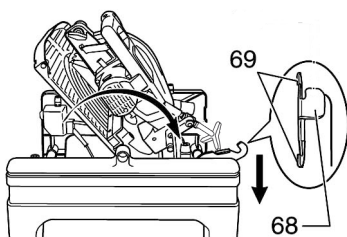
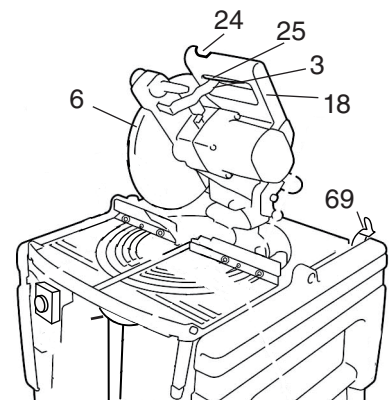
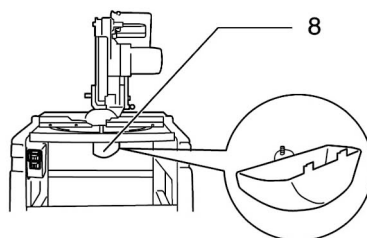
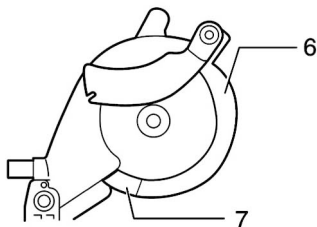
- Tryck in säkerhetspärren (24) och strömbrytaren (25) för att starta motorn.
- Släpp ut strömbrytaren (25) för att stänga av motorn.

Varning! Dra ur nätsladdens stickpropp innan service eller justering.

Kombinationssågen är försedd med olika typer av skydd som ska monteras/användas beroende på om sågen är vänd som cirkelsåg eller som kap- & geringssåg.

Varning:

- Kontrollera innan varje användningstillfälle att alla skydd är hela och att handtaget (18) inte kan tryckas ner utan att spärren (3) i handtaget först trycks mot vänster.
- Kontrollera att det rörliga klingskyddet (6) inte kan öppnas utan att spärren (3) i handtaget först trycks mot vänster.
- Kontrollera att det undre klingskyddet (8) är monterat innan sågen används i kap- & geringssåg läge.
- Kontrollera att det övre klingskyddet (11) är monterat innan sågen används i cirkelsågläge.
- Bordet måste vara låst i ett av arbetslägena så att reglaget/spärren (68) har fjädrat ut helt och så att haken (69) låser bordet.
- Kombinationsågen är mycket farlig om den används när inte skydden fungerar, så att det kan leda till allvarliga olycksfall.



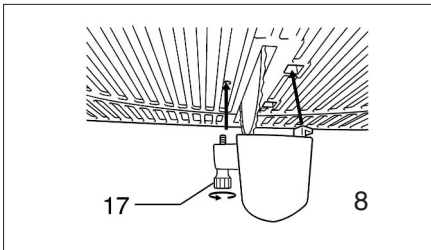
5.2 Montering/demontering av skydd

Undre klingskydd (8) och övre klingskydd (11) används aldrig samtidigt, inställt arbetsläge avgör vilket skydd som ska användas och vilket som ska vara demonterat:

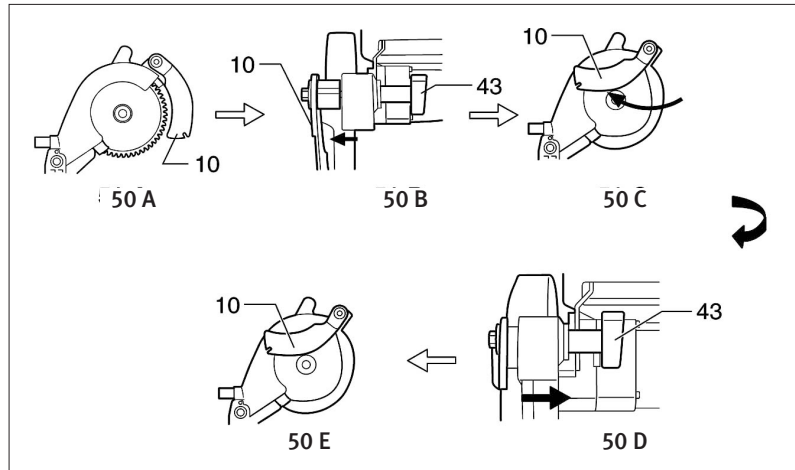
- Undre klingskydd (8) (används endast i kap- & geringsläge), detta skydd monteras på bordets undersida, trä i hakarna i bordets undersida och dra fast skruven (17) på andra sidan. Ta först bort skyddet (11) om det är monterat.

Lossa klyvkniven (10) och fäst den på sidan:

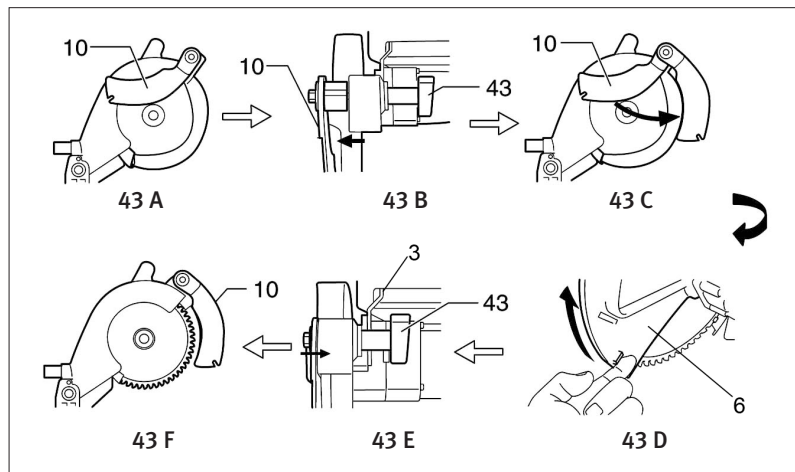
1. Lossa vredet (43) och dra klyvkniven åt sidan (Fig. 50-B).
2. Vik ut klyvkniven i pilens riktning så att den kommer ur vägen (Fig. 50-C).
3. Tryck in klyvkniven och dra åt vredet (43) (Fig.50-D).
4. Kontrollera för hand att klingan går runt utan att ta i något.



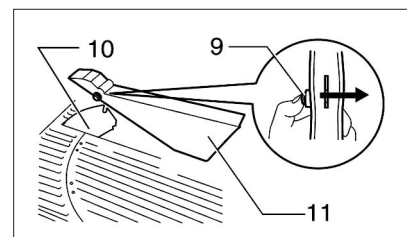
- Övre klingskydd (11) (används endast med bordet i cirkelsågläge) detta skydd monteras på klyvkniven (10).
5. Vik bordet så att motorn sitter över bordet. (Ta först bort skyddet (8) om det är monterat).



6. Klyvkniven (10) är uppvikt på sidan när sågen används i kap- och gerings läge (Fig 43-A).
7. Lossa vredet (43) och dra klyvkniven åt sidan (Fig. 43-B).
8. Vik ut klyvkniven i pilens riktning så att den är just utanför sågklingans tänder (Fig. 43-C)
9. Tryck in spärren (3) och för upp skyddet (6) så långt det går och dra åt vredet (43) (Fig.43-E).
10. Kontrollera för hand att klingan går runt utan att ta i något.



11. Tryck ner reglaget/spärren (68) och vänd på bordet.
12. Ta fram övre klingskydd (11), tryck in spärren (9) och håll den intryckt, placera skyddet över urtaget i klyvkniven och släpp spärren. Kontrollera att skyddet sitter fast och är lätttröligt upp och ner.



5.3 Rengöring av skydden

Varning!

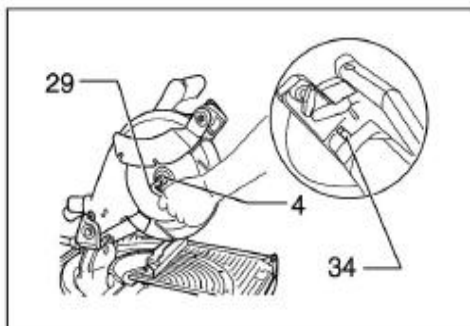
Dra ur nätsladdens stickpropp innan rengöring, service eller justering.

De transparenta skydden kan behöva rengöras ibland om spån och damm fastnar så att det är svårt att se igenom dem.

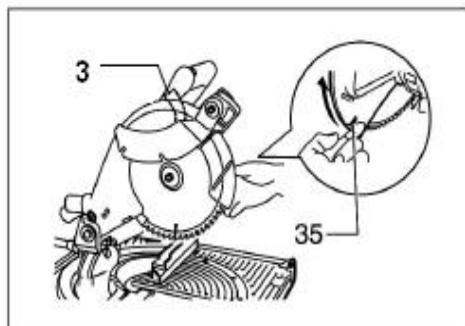
- Torka av skydden med en svagt fuktad tvättduk
- Rengör det rörliga klingskyddet (6) så här: Släpp upp handtaget helt, ta bort sågklingan (se avsnittet "Byte av sågklinga"). Tryck spärren (3) åt sidan och vik skyddet (6) i ett läge så att rengöringen går bra. Sätt tillbaka sågklingan.
- Kontrollera alltid efter rengöring/service att alla skyddsanordningar fungerar bra.

5.4 Byte av sågklinga

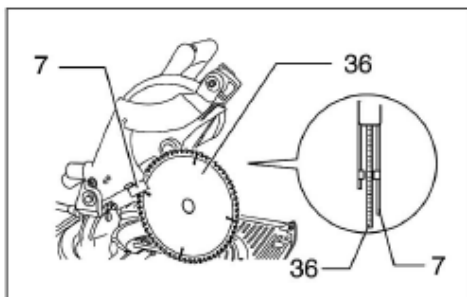
1. Vrid sågen till läge Kap & geringssåg (motorn över bordet)
2. För upp handtaget och såghuvudet i översta läget.
3. Tryck in spindellåset (34), använd nyckel (29) att lossa på bult (4) genom att vrida den medurs.
4. Lossa på spärren (3) och vik upp och håll kvar det rörliga klingskyddet med lyftfliken (35).
5. Skruva bort bulten (4) och ta bort yttre klingflänsen (39) och ta bort sågklingan (36).
6. Montera den nya klingan försiktigt och se till att rotationsriktningen blir riktig, se rotationspilarna (38) på sågklingan (36) och klingkåpan (37).
7. Montera yttre klingflänsen (39) och skruva dit och dra åt bult (4).
8. Kontrollera att klingan löper fritt och har monterats korrekt.



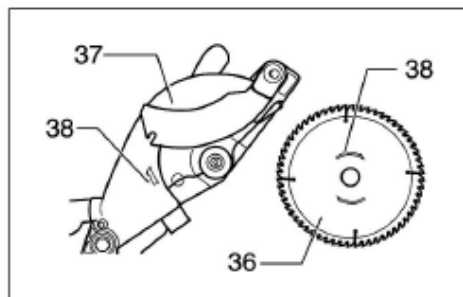
19



20



21



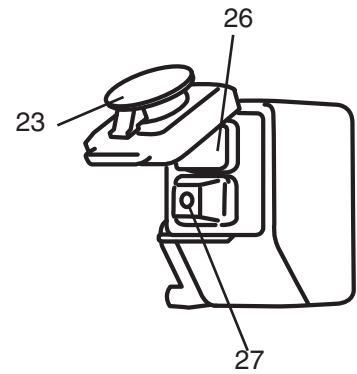
22

6. Nödstopp

När sågen används som bordscirkelsåg är motorn inkopplad via ett nödstopp. När sågen används som kap- & geringssåg är inte motorn inkopplad över nödstoppet utan motorn startas/stoppas från strömbrytaren på handtaget (22).

Locket över strömbrytaren (23) har funktionen som "Nödstopp"

Obs! Aktivera alltid "Nödstopp" och dra ur stickproppen när inte sågen används eller när den lämnas utan tillsyn, för att förhindra att barn eller andra obehöriga använder sågen.



Aktivera Nödstopp

Tryck in locket över strömbrytaren (23) då stängs motorn av och locket fastnar i intryckt läge.

Återställ Nödstopp

Återställ nödstoppet så här: Tryck den röda knappen uppåt (mot bordet) så att spärren hakar ur och locket över strömbrytaren går att öppna. Starta sedan motorn på normalt sätt.

Obs! Vik alltid tillbaka locket över strömbrytaren när du har startat motorn, så att du snabbt kan stoppa motorn vid behov! (vik inte för långt så att nödstoppet aktiveras).

6.1 Klyvkniv

Klyvkniven (10) är en viktig säkerhetsdetalj som förhindrar att klingan blir fastklämd i arbetsstycket och minskar därmed risken att arbetsstycket kastas bakåt mot operatören.

När sågen används som bordscirkelsåg måste klyvkniven alltid vara monterad bakom klingan.

Justera klyvkniven vid behov

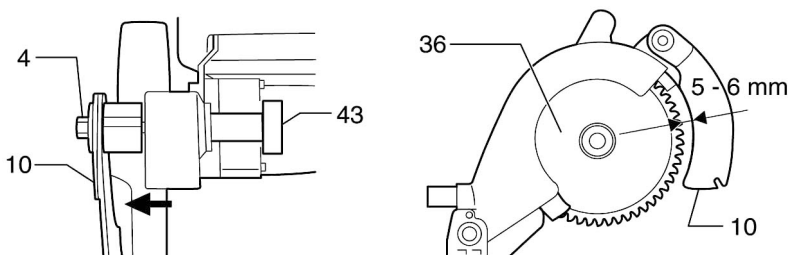
Det måste vara ett avstånd på ca 5 – 6 mm mellan sågklingan (36) och klyvkniven (10).

Justera klyvknivens läge genom att lossa bulten (4) och justera avståndet mellan klyvkniven (10) och sågklingan (36) till 5 - 6 mm. Dra åt bulten (4) igen.

Klyvkniven måste vara i linje med sågklingan.

Varning!

Om sågklingan och klyvkniven inte är rätt justerade i linje med varandra kan arbetsstycket nypa fast och kastas bakåt mot operatören. Sågklinga och klyvkniv måste vara i linje.



6.2 Montera och justera klyvlinjalen

1. Montera klyvlinjalens hållare (45) i spåret (46) på bordet.
2. Ställ in det på önskat breddmått enligt skalan och dra åt låsvredet (48).
3. Lossa låsvredet (47).
4. Skjut in skenan (49) i hållaren (45) så att det slutar just där sågklingan (36) går upp genom bordet (se linjen 50).
Obs! Detta är viktigt för att undvika att arbetsstycket kastas bakåt mot operatören om det nyps fast mellan anhäng och sågklinga. Observera att inställningen ska ändras för olika tjocklek och vinkelinställning.
5. Dra åt låsvredet (47) så att anhänget sitter säkert.

Obs!

Klyvlinjalen har en form som gör att det kan monteras på hållaren (45) i 4 olika lägen.

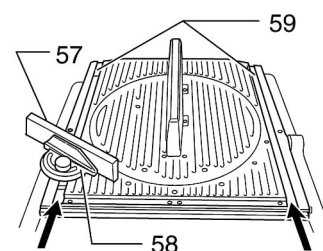
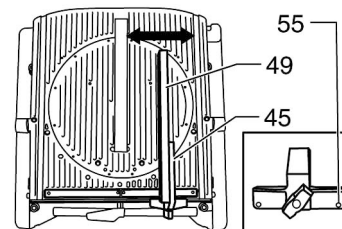
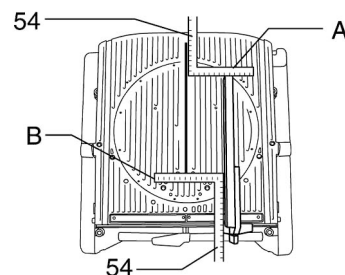
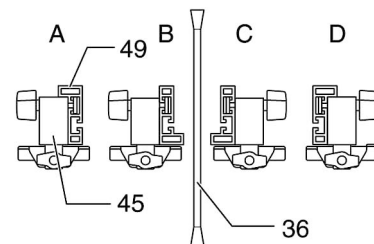
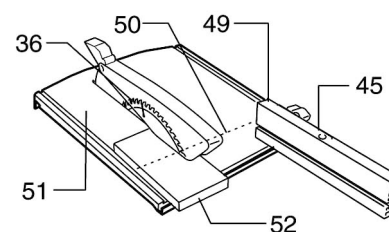
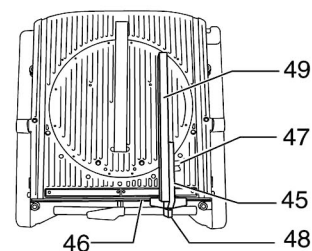
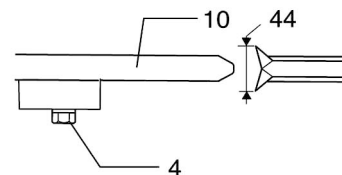
Klyvlinjalen måste vara parallell med sågklingan, kontrollera så här:

1. Ställ sågklingan på högsta höjd över bordet.
2. Märk en av tänderna på sågklingan.
3. Roter klingan för hand tills den märkta tanden är i jämnhöjd med bordet, mät avståndet mellan tanden och klyvlinjalen. Använd en vinkelhake, stålskala etc.
4. Roter klingan bakåt ett halvt varv för hand tills den märkta tanden är i jämnhöjd med bordet, mät avståndet mellan tanden och klyvlinjalen på det stället. Om de två måtten (A) och (B) är lika är klyvlinjalen parallellt med sågklingan
5. Justera klyvlinjal vid behov: hållaren (45) har en justeringsskruv på utsidan, lossa låsvredet (48) lite, vrid justeringsskraven tills klyvlinjalen är parallellt med sågklingan. Dra åt låsvredet (48).
6. Kontrollera att sågklingan kan rotera obehindrat och att alla skydd fungerar.

Obs! Lyft inte i klyvlinjalen, hållaren kan gå sönder.

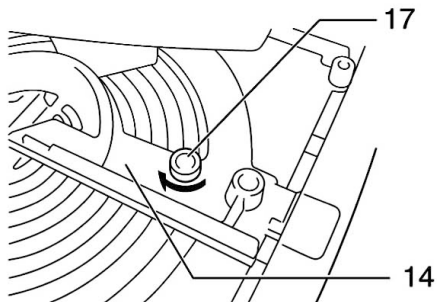
6.3 Geringslinjalen

1. Sätt fast skenan (57) till geringslinjalen (58).
2. Montera geringslinjalen (58) på bordet genom att skjuta geringslinjalens långa aluminiumprofil i ett av spåren (59) i bordet från framsidan

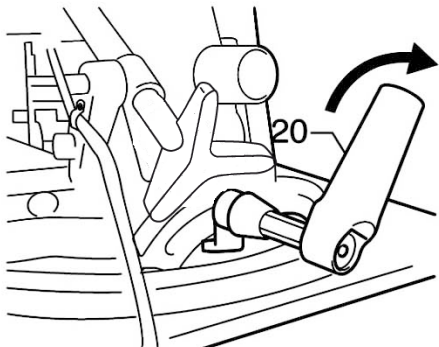


7. Använd kombinationssågen som bordscirkelsåg

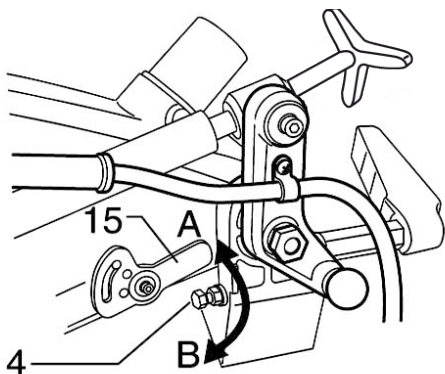
7.1 Ställ in maskinen som bordscirkelsåg



1. Ställ bordet i vinkel 0° och lås fast det med låsvredet (17).



2. Dra åt låsvredet (20) för att fixera såghuvudet.

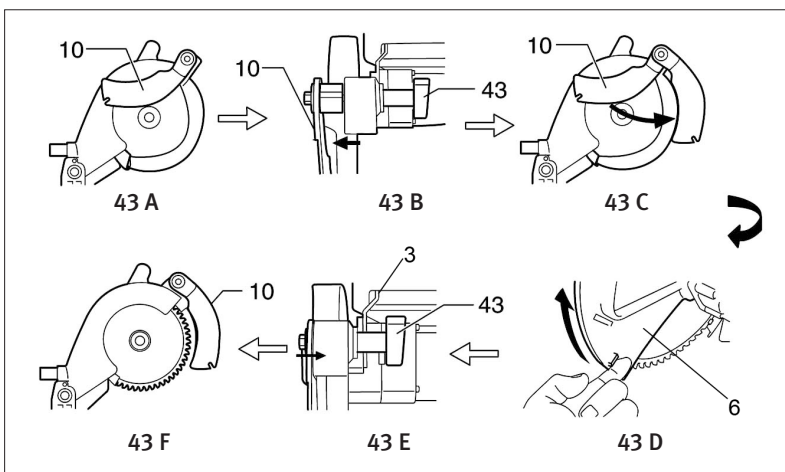


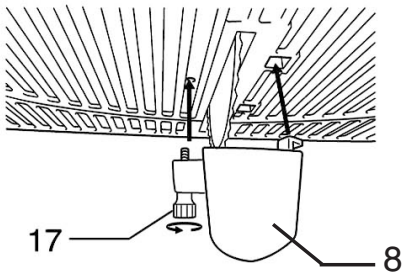
3. Vik upp djupstoppet (15) mot A så att det går fritt från bult (4).

4. Vik fram klyvkniven

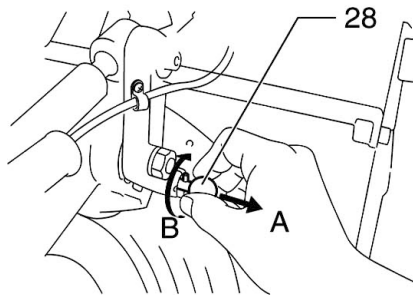
Övre klingskydd (11)(används endast med bordet i cirkelsågsläge) detta skydd monteras på klyvkniven (10).

- a) Klyvkniven (10) är uppvikt på sidan när sågen används i cirkelsågsläge (Fig. 43-A).
- b) Lossa vredet (43) och dra klyvkniven åt sidan (Fig. 43-B).
- c) Vik ut klyvkniven i pilens riktning så att den är just utanför sågklingans tänder (Fig. 43-C)
- d) Tryck in spärren (3) och för upp skyddet (6) så långt det går (Fig.43-D) dra åt vredet (43) (Fig.43-E).





5. Ta bort det undre klingskyddet (8).

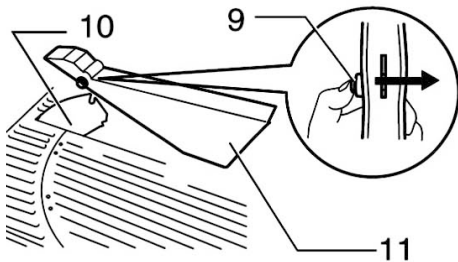


6. Lås fast såghuvudet: Dra ut spärren (28) och vrid den medsols 90° som pilen B visar, tryck ner handtaget tills såghuvudet låser fast.
Varning! Spärren (28) måste vara låst innan bordet vänds. Om inte såghuvudet kan låsas av spärren (28) i nerfällt läge måste du vrida inställningsratt (21) medsols tills spärren låser såghuvudet.

7. Vänd bordet

Varning! Tänk på detta innan bordet vänds:

- Stäng av maskinen med nödstoppet. Dra ur nätkabelns stickpropp. Låt klingan stanna helt.
- Tänk efter var du placerar händerna när du vänder bordet. Håll i mitten av bordets kant och tryck ner bordets reglage/spärr (68). Vänd runt bordet försiktigt.
- Tryck så långt att reglaget/spärren (68) låser bordet igen.



8. Montera det övre klingskyddet

- Ta fram övre klingskydd (11), tryck in spärren (9) och håll den intryckt, placera skyddet över urtaget i klyvkniven och släpp spärren.
- Kontrollera efter montering att skyddet sitter fast och är lätttröligt upp och ner.

7.2 Användning som bordscirkelsåg

Obs!

- Använd alltid påskjutare eller någon annan typ av "handförlängare" istället för att riskera att hålla händer eller fingrar i närheten av sågklingan.
- Håll alltid arbetsstycket tryckt mot klyvlinjal och bord, försök inte att böja/luta arbetsstycket då kan det kastas bakåt mot operatören.
- Dra ALDRIG arbetsstycket bakåt när sågklingan roterar, stäng av och låt klingan stanna helt och dra sedan arbetsstycket bakåt, annars kan arbetsstycket kastas bakåt mot operatören.
- Försök ALDRIG att ta bort spån eller avkap när sågklingan roterar.
- Håll ALDRIG händer eller fingrar nära sågklingan eller i dess väg på arbetsstycket när den roterar.
- Klyvlinjalen måste alltid vara ordentligt åtskruvat, annars kan arbetsstycket kastas bakåt mot operatören.

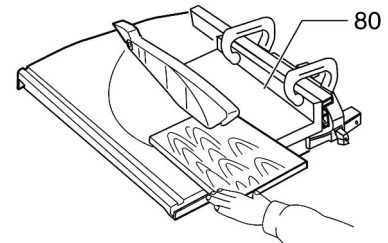
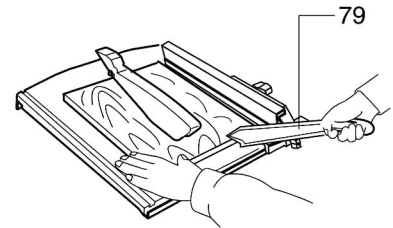
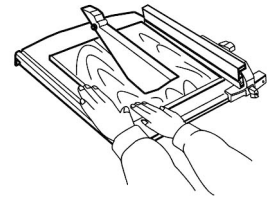
7.3 Klyvning

Arbeta rätt:

- Stå på framsidan av sågen vid användning, försök att stå med god balans.
- Stå inte rakt framför klingan, brister den så kastas den rakt ut.
- Använd påskjutare vid behov.

Obs!

- Ta bort geringslinjalen från bordet innan klyvningen påbörjas.
 - Använd stöd vid långa eller stora arbetsstycken. Stödet ska vara på samma höjd som bordet. Ta hjälp av en medhjälpare vid behov.
1. Justera sågdjupet så att det är lite större än arbetsstyckets tjocklek. (Se 9.4 Justera sågdjupet)
 2. Justera klyvlinjalens placering och dra åt låsvreden (47) och (48) på klyvlinjalens hållare (45).
 3. Starta motorn och mata arbetsstycket längs klyvlinjalen och förbi sågklingan.
 4. Om bredden är över 150mm bör du använda en hand till att mata fram arbetsstycket och hålla det mot klyvlinjalen med den andra handen.
 5. Om bredden är 65 till 150mm bör du använda en påskjutare (79) till att mata fram arbetsstycket och hålla i med den andra handen.
 6. Om arbetsstycket är smalare än 65mm bör du använda ett eget anhåll (80) (medföljer ej) påskjutaren kommer annars att ta i skyddet. Sätt fast anhållet med tvingar.



Mata fram arbetsstycket för hand tills det är några centimeter framför bordet, fortsätt sedan att mata fram till snittet är färdigt samtidigt som du håller ner med en annan påskjutare.

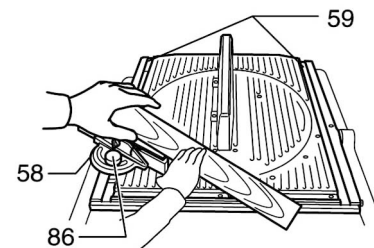
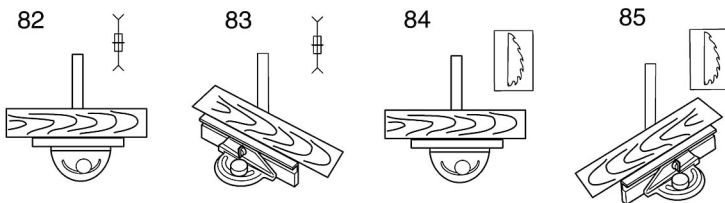
7.4 Kapning med geringslinjal

Obs!

- Ta bort klyvlinjalen innan "Kapning med geringslinjal"
- Använd stöd vid långa eller stora arbetsstycken. Stödet ska vara på samma höjd som bordet. Ta hjälp av en medhjälpare vid behov.
- Håll undan händer och fingrar från klingans väg.

Geringslinjal

Geringslinjalen kan användas vid fyra olika typer av geringskapning:



Varning!

- Dra åt låsvredet på geringslinjalen säkert.
- Tryck inte för hårt så att vinkeln ändras under kapningen.
- Håll aldrig i den del som kapas bort (avkapet), försök inte heller att sträcka dig efter den. Tänk dig för så att du arbetar riskfritt.

Använd geringslinjalen

Skjut in geringslinjalen i ett av spåren (59) i bordet. Lossa låsvredet (86) och ställ in önskad vinkel (0° till 60°). Lägg arbetsstycket mot geringslinjalen och för det sakta mot sågklingan.

8. Använd kombinationssågen som kap- och geringssåg

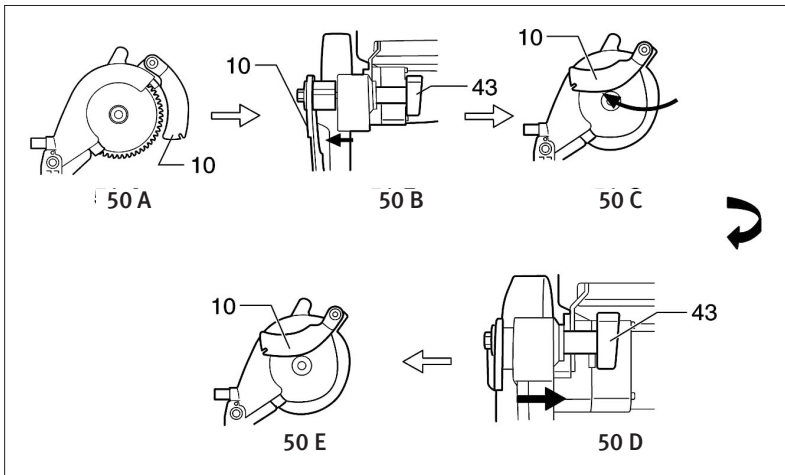
Ställ in maskinen som kap- & geringssåg

Varning! Som kap- & geringssåg ska det undre klingskyddet (8) vara monterat.

1. Ta bort det övre klingskyddet (11): Tryck in spärren (9) och håll den intryckt och dra skyddet uppåt ur klyvknivens urtag.
2. Montera det undre klingskyddet (8), sätt i hakarna i bordet och dra åt fästskruven (17).
3. Vänd på bordet (Fig. 5)

Varning! Tänk på detta innan bordet vänds:

- Stäng av maskinen med nödstopp. Dra ur nätkabelns stickpropp. Låt klingan stanna helt.
- Tänk efter var du placerar händerna när du vänder bordet. Håll i mitten av bordets kant och tryck ner reglaget/spärren (68). Vänd runt bordet försiktigt.
- Tryck så långt att reglaget/spärren låser bordet igen.



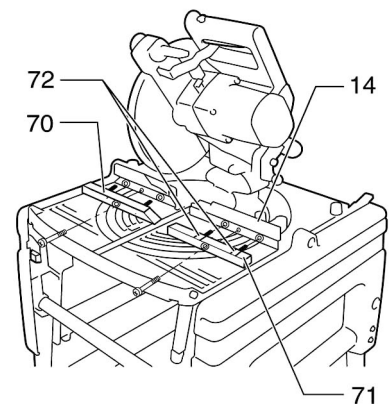
4. Lossa såghuvudet från det nedre läget: Dra ut spärren (28) och håll kvar den, vrid den medsols 90° som pilen B visar, håll i handtaget och släpp försiktigt upp såghuvudet. (Fig. 49)

5. Vik upp klyvkniven

- a) Klyvkniven (10) ska vikas upp på sidan av klingkåpan när sågen används som kap & geringssåg
- b) Lossa vredet (43) och dra klyvkniven åt sidan (Fig. 50-B), ta tag i det rörliga klingskyddet (6) och håll emot när det fjädrar ut.
- c) Vik upp klyvkniven (10) i pilens riktning utanför klingkåpan (Fig.50-C).
- d) Dra åt vredet (43) (Fig.50-D).

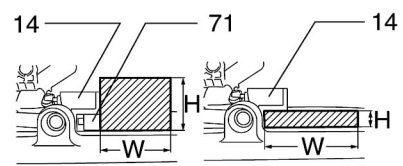
6. Montera och demontera de nedre anhållen (70) och (71)

De nedre anhållen (70) och (71) ska vara monterade vid sågning av arbetsstycken som är tjockare än 20 mm. Ta bort dem vid sågning av tunna (<20mm) och breda (> 180mm) arbetsstycken. De nedre anhållen har styrpinnar (72) som gör att de kommer i rätt läge vid montering.



Exempel för kapning med/utan nedre anhåll (71).

- | | |
|----------------------|----------------------------------|
| Arbetsstycke (h x b) | Använd/använd inte nedre anhåll. |
| 68mm x 155mm | Använd nedre anhåll |
| 20mm x 210mm | Använd INTE nedre anhåll |



8.1 Arbetsmoment för kap & geringssåg

1. Sågning

Spänn fast arbetsstycket mot anhållet och bordet. Starta motorn och låt den gå upp i varv. Tryck försiktigt ner handtaget och låt sågklingan såga igenom hela arbetsstycket. Släpp strömbrytaren och låt sågklingan stanna helt, håll i handtaget och för sakta upp det i översta läget.

2. Geringssågning (vrid bordet till önskad vinkel)

Se ”9.2 Inställning av bordets vinkel”

3. Snedkapning (luta såghuvudet i vinkel 0° till 45°)

- Lossa låsvredet (20) och luta såghuvudet i önskad vinkel. Se 9.3 ”Inställning av klingans lutning”. Kom ihåg att dra åt låsvredet när du har ställt in önskad vinkel. Spänn fast arbetsstycket mot anhållet och bordet.
- Starta motorn och låt den gå upp i varv. Tryck försiktigt ner handtaget och låt sågklingan såga igenom hela arbetsstycket.
- Släpp strömbrytaren och låt sågklingan stanna helt, håll i handtaget och för sakta upp det i översta läget.

Varning!

- Kontrollera att såghuvudet går ända ner utan att ta i något. Håll undan händerna vid sågningen.
- Vid snedkapning kan en av delarna luta mot sågklingan under och efter sågningen. Om såghuvudet lyfts upp innan sågklingan har stannat efter genomförd sågning kan någon av arbetsstyckets delar kastas iväg av den roterande sågklingan. Släpp strömbrytaren och låt sågklingan stanna helt, håll i handtaget och för sakta upp det i översta läget efter genomförd sågning.
- Lägg på tryck i sågklingans riktning under sågningen, om du trycker rakt ner kan sågvinkeln ändras under sågningen och precisionen blir sämre.

4. Sned/geringssågning (snedsågning och geringssågning samtidigt)

Luta såghuvudet och vrid bordet och såga två vinklar samtidigt.

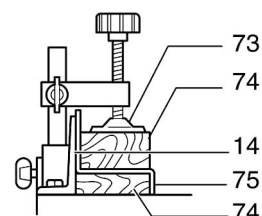
Dessa vinklar kan användas: Snedsågning 0- 45°, geringssågning Vänster och Höger 0 - 45°.

5. Sågning av aluminiumprofiler

Använd alltid någon form av trä mellanlägg (74) mellan tving/bord och aluminiumprofil (75) vid sågning, annars kan arbetsstycket (75) förstöras. Smörj gärna sågklingan med någon typ av alkohol vid sågning för att förhindra att material byggs upp på klingans tänder under sågningen.

Obs!

- Försök aldrig att kapa tjocka eller runda arbetsstycken, tjocka kan lossna och de runda kan snurra för att de är svåra att fästa.
- Försök aldrig att såga aluminium med bordet vänt som bordscirkelsåg.



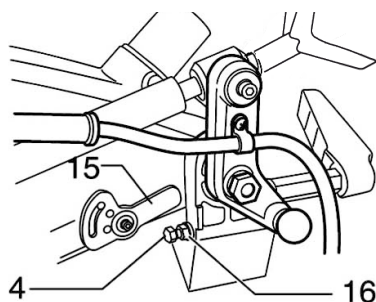
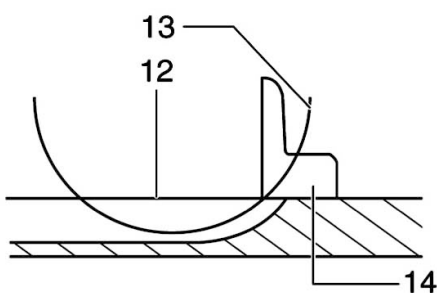
9. Inställningar

9.1 Ställ in kombinationssågen för max. sågkapacitet.

Varning! Dra ur nätsladdens stickpropp innan rengöring, service eller justering.

Kombinationssågen är inställd på fabriken för att ge max kapacitet med den bifogade sågklingan med Ø 250mm. Gör ny inställning efter byte av sågklinga, kontrollera och justera vid behov:

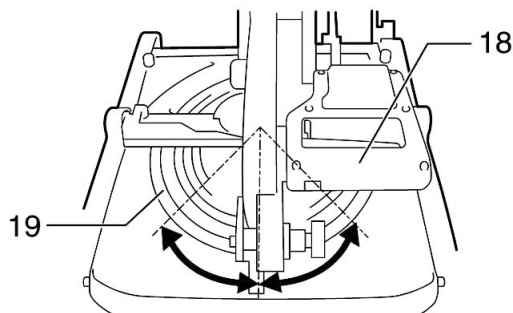
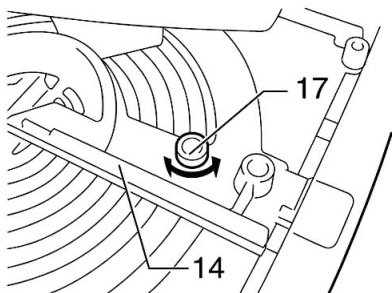
1. Ställ djupstoppet (15) i läge så att det går mot bulten (4), tryck spärren (3) åt sidan och vik ner såghuvudet så långt det går.
2. Sågklingans tänder (13) ska precis nå igenom bordets övre yta (12) där anhållet (14) börjar. Justera om inte sågklingan är rätt justerad.
3. Justera så här: Skruva loss låsmuttern (16) justera bulten (4) så att sågklingan ligger på rätt djup, dra sedan åt låsmuttern (16) igen.



4. Kontrollera för hand att sågklingan kan rotera utan att ta i något.
5. Sågen kan användas med eller utan aktiverat djupstopp (15):
 - Vrid det motsols om du ska såga breda och tunna arbetstycken.
 - Vrid djupstoppet (15) tillbaka medsols så att det ligger an mot inställningsskruven (4) om du ska såga tjocka arbetstycken.

9.2 Inställning av bordets vinkel (geringssågning)

1. Vrid låsvredet (17) motsols, vrid bordet i önskad riktning. Bordet har kulspärr (fasta lägen) vid de mest använda vinklarna. Inställd vinkel visas vid indexpilen.
2. Dra åt låsvredet (17) medsols för att låsa fast bordet i den inställda vinkeln.



9.3 Inställning av klingans lutning (snedkapning)

Kom ihåg att kontrollera att klingan kan röra sig fritt efter varje justering. Vinkeln mellan sågklingan och anslaget måste vara exakt 90°.

Kap & geringsåg

1. Vrid låsvredet (20) motsols, vrid såghuvudet åt höger till önskad lutning visas på skalan.
2. Dra åt låsvredet (20) medsols för att låsa fast såghuvudet i den inställda vinkeln.

Obs! Se till att handtaget (18) är i sitt översta läge innan klingan lutas. Kom ihåg att dra åt låsvredet (20) efter ändring av klingans lutning.

Bordscirkelsåg

1. Vrid låsvredet (20) motsols, vrid såghuvudet åt vänster till önskad lutning visas på skalan.
2. Dra åt låsvredet (20) medsols för att låsa fast såghuvudet i den inställda vinkeln.

9.4 Justera sågdjupet

Justera sågdjupet när kombinationssågen används som bordscirkelsåg (motorn under bordet): Vrid inställningsratten (21) motsols för att höja sågklingan och medsols för att sänka den.

Varning! Justera sågklingan så att den inte sticker upp för långt över bordet när tunna material sågas, sågklingan ska nå igenom materialet och lite till.

Obs! Spärren (28) kan inte ändras när såghuvudet är under bordet.

9.5 Justera kapvinklarna

Kombinationssågen är noga inställd på fabriken, men kontroll/inställning av vinklar ska utföras vid behov. (Kombinationssågen skall vara i kap- och geringsläge)

Justera geringsvinkeln:

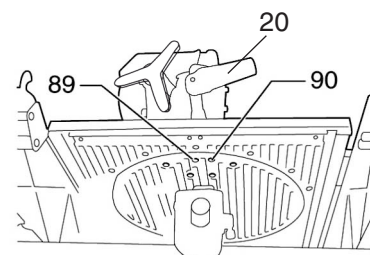
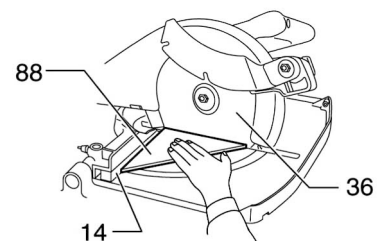
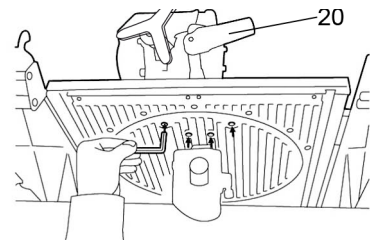
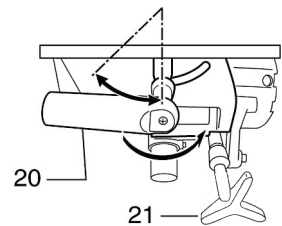
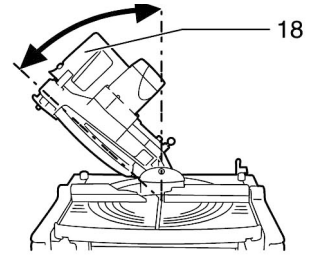
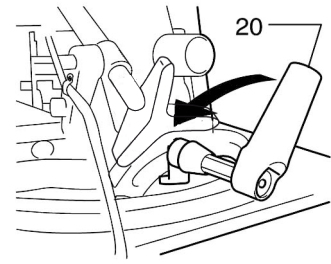
1. De 4 justeringskruvarna finns på undersidan av bordet, lossa dem.
2. Sänk såghuvudet så långt det går och lås fast det där med spärren (28).
3. Lägg på en vinkelhake på bordet, håll den mot anhållet och sågklingan.
4. Vrid bordet tills "0" kommer exakt vid indexpilen på bordet.
5. Dra åt skruvarna

Justera lutningsvinkeln 0°:

1. Sänk såghuvudet så långt det går och lås fast det där med spärren (28).
2. Lossa låsvredet (20) på baksidan.
3. Lossa justeringsbulten (89) 2 - 3 varv motsols.
4. Vrid tillbaka justeringsbulten (89) medsols till rätt vinkel.
5. Justera indexpilens läge vid behov så att den står på "0"

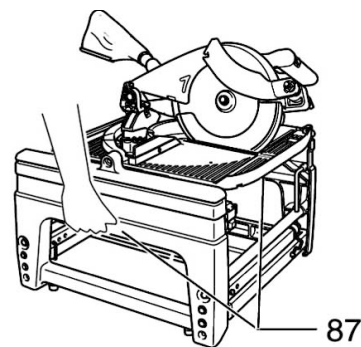
Justera lutningsvinkeln 45°:

1. Justera först lutningsvinkeln 0°:
2. Vik såghuvudet så långt det går åt vänster
3. Vrid på justeringsbulten (90) tills pilen står på "45°"



10. Transport av kombinationssågen

- Se till att stickproppen är utdragen innan du börjar.
- Sågen ska vara inställd för kap & gering: Ställ bordets vinkel på 0° och såghuvudets vinkel på 0°. Sänk såghuvudet till det lägsta läget och lås det med spärren (28).
- Bär sågen som bilden visar.



Varning!

- Kontrollera att alla rörliga delar sitter fast innan du lyfter sågen. Ta bort ev. tillbehör.
- Sågen ska vara inställd för kap & gering vid bärning.
- Det undre skyddet (8) måste vara monterat vid flyttning/transport.

11. Förvaring av kombinationssågen

Varning!

- Förvara inte sågen så att obehöriga kan starta den eller skadas av den. Aktivera nödstoppet och se till att stickproppen är utdragen.
- Förvara sågen inomhus torrt, skydda den mot regn och fukt.

12. Underhåll

Kontrollera detta innan start:

- Att nätkabel och stickpropp är oskadade, att skydden är hela och fungerar bra, att klingan går runt utan att ta i något och att klyvknivens avstånd till klingan är 5 – 6mm.
- Att sågklingan inte är sprucken, att alla hårdmetallskär är kvar och att den inte är skev.
- Ta bort spån och spill från sågens alla delar med dammsugare eller spånsug.
- Smörj styrningar och gängade spindlar.
- Kontrollera efter varje 300 timmars användning:
- Kontrollera att alla skruvar och muttrar sitter fast, dra åt vid behov.
- Kontrollera att retur fjädrarna fungerar bra och drar upp såghuvudet i sitt övre läge, byt ut vid behov.
- Kontrollera alla stoppskruvar och inställning av skalorna.

13. Reparation

Varning!

Kombinationssågen måste repareras av en kvalificerad yrkesman med originaldelar.



14. Avfallshantering

När du ska göra dig av med produkten ska detta ske enligt lokala föreskrifter. Är du osäker på hur du ska gå tillväga, kontakta din kommun.

15. Felsökning

Kontrollera alla säkerhetsanordningar efter reparation.

- **Motorn går inte.**
Kontrollera kabel, stickpropp och säkringar.
Nollspänningsutlösaren kanske har löst ut. Prova att starta igen!
- **Sågklingan har fastnat i något och därför har proppen gått.**
Tryck in nödstoppet och dra ur sladden och ta bort det som klingan har fastnat i.
Byt propp och starta sedan som vanligt.
- **Dålig kapacitet.**
Byt klinga eller lämna den till slipning hos en yrkesman.

16. Teknisk specifikation

Märkspänning:	230VAC, 50Hz
Effekt:	1800W
Varvtal (obelastad):	4200/min
Sågklinga:	Ø 250x30x2, 8 mm
Skyddsklass:	□ II
Bordsstorlek:	545 x 505mm
Vikt:	35 kg
Lutning av sågklinga:	0° till 45°
Geringssågning:	+ 45° till - 45° (i kap & geringssläge)

Mått

Hopfälld:	710 x 680 x 610mm
Utfälld:	710 x 680 x 1000mm
Max sågdjup:	70 mm (som bordscirkelsåg) 65 mm (som kap & geringssåg)

Kombinasjonssag

ART.NO: 18-3068 MODEL: 92502-UK
30-9869 92502

Les nøye igjennom hele bruksanvisningen og ta vare på den til senere bruk. Vi reserverer oss mot ev. tekst- og bildefeil, samt forandringer av tekniske data. Ved tekniske problemer eller andre spørsmål, ta kontakt med vårt kundesenter (se opplysninger på baksiden).



Viktige sikkerhetsanvisninger, les hele bruksanvisningen før du tar produktet i bruk.

1. Sikkerhet

Advarsel! Når du bruker denne maskinen skal grunnleggende forsiktighetstiltak benyttes for å redusere risikoen for brann, elektrisk støt og personskade. Les alle disse instruksjonene før du tar produktet i bruk, og spar dem til ev. senere bruk.

1. Hold arbeidsplassen ren. Rotete flater og arbeidsbord kan forårsake ulykker.
2. Ta hensyn til arbeidsmiljøet. Ikke utsett verktøyet for regn. Bruk ikke maskinen i fuktige eller våte omgivelser. Hold arbeidsplassen godt opplyst. Bruk ikke verktøyet i nærheten av lettantennelige væsker eller gasser.
3. Unngå elektrisk støt. Unngå kroppskontakt med jodede gjenstander som f.eks. rør, ovner, komfyrer og kjøleskap etc.
4. Hold andre personer på avstand. Ikke la andre personer, spesielt ikke barn, som ikke deltar i arbeidet få røre verktøyet eller dens ledninger. Hold dem på god avstand fra arbeidsplassen.
5. Oppbevar maskinen på en sikker plass. Når verktøyet ikke er i bruk må de oppbevares tørt i et låst rom og utenfor barns rekkevidde.
6. Press ikke maskinen! Den gjør jobben bedre og sikrere med normal matingshastighet.
7. Bruk riktig verktøy! Press ikke små maskiner til å utføre jobb som krever maskiner med større kapasitet. Press ikke en maskin til å utføre et arbeidsmoment som den ikke er beregnet til å utføre.
8. Benytt fornuftige arbeidsklær. Bruk ikke løstsittende klær eller smykker. De kan feste seg i roterende deler. Bruk sklisikkert fottøy. Bruk hårnett eller tilsvarende, hvis du har langt hår.
9. Benytt alltid vernebriller. Bruk også støvmaske eller vernemaske ved støvende arbeid.
10. Bruk utsugningsutstyr. Dersom maskinen er utstyrt med tilkobling for utsugingsutstyr og oppsamler av støv, påse da at dette utstyret blir montert og brukt riktig.
11. Påse at ikke strømledningen blir skadet. Dra ikke i ledningen, men i stikket når strømledning skal kobles fra nettet. Påse at strømledningen ikke kommer i kontakt med varme, olje eller skarpe kanter.
12. Fest emnet ordentlig! Når det er mulig må skrustikke eller tvinger brukes for å spenne fast arbeidsstykket. Det er sikrere enn å holde emnet fast med den ene hånden.
13. Strekk deg ikke for langt. Pass på at du hele tiden står stødig og har god balanse.
14. Vedlikehold maskinen. Påse at den er ren og eggen skarp, for optimal effekt og sikkert resultat. Følg manualens anbefalinger for smøring og skifte av tilbehør. Kontroller strømledningen regelmessig. Hvis den er skadet skal den byttes av en kyndig servicetekniker. Sjekk alle skjøteledninger regelmessig så de ikke er skadet. Påse at maskinens/verktøyet håndtak og brytere er tørre, rene og frie for olje, fett etc.
15. Slå av strømmen! Dra ut støpslet og trykk inn nødstopp før service, og ved skifte av tilbehør som høvelstål, bor, stål, slipeband eller blad.
16. Fjern alle nøkler og serviceverktøy! Gjør det til en vane å kontrollere at alle nøkler og serviceverktøy er fjernet fra maskinen før du slår på strømmen.
17. Unngå uønsket oppstart. Bær ikke et verktøy med en finger på strømbryteren hvis ledningen er plugget til et strømuttak. Påse at strømbryteren står på OFF når du setter inn støpslet.

18. Bruk riktige skjøteledninger! Dersom du bruker skjøteledninger utendørs, bruk kun de som er beregnet for utendørsbruk. Bruk skjøteledninger med tilstrekkelig lengde, rull ut hele ledningen!
19. Bruk sunn fornuft, og vær forsiktig! Tenk deg om før du utfører en arbeidsoperasjon, så du kan utføre den på en sikker måte! Bruk ikke maskinen/verktøyet når du er sliten, trett, påvirket av medisiner etc.
20. Kontroller følgende før du starter maskinen:
 - At all beskyttelse og øvrige deler er uskadet, og oppfyller sine funksjoner.
 - At bevegelige deler kan rotere fritt og er riktig innstilt.
 - At ingen bevegelige deler kan sette seg fast.
 - At ingen defekt har oppstått.
 - Andre omstendigheter som kan påvirke utførelsen av arbeidet.

En beskyttelse eller noen annen del som er skadd, skal repareres av fagmann eller byttes ut. Skadde strømledninger og strømbrytere skal alltid byttes ut av fagmann. Bruk aldri maskinen hvis du ikke kan stoppe eller starte det på en betryggende måte.
21. Bruk anbefalt tilbehør! Bruk av tilbehør som ikke er anbefalt av produsent kan forårsake ulykker eller risiko for personskade.
22. Reparerer kun av kvalifisert tekniker! Maskinen følger gjeldende sikkerhetskrav. Reparasjoner av maskinen skal alltid utføres av fagmann, med originale reservedeler, ellers kan den forårsake ulykker eller risiko for personskade.

1.2 Spesielle sikkerhetsforskrifter for kombinasjonsager:

Advarsel! Dra ut stikkontakten før ev. service eller skifte av klinge.

Tenk på dette:

- Å jobbe med trematerialer kan være farlig dersom man ikke gjør det på riktig måte!
- Hvis du bruker sunn fornuft og utøver stor forsiktighet, når du bruker sagen, reduseres faren for personskade betraktelig.
- Sikkerhetsutstyr i form av beskyttelse, påskyver, tvinger, vernebriller, støvfilter og hørselsvern kan ikke kompensere utforsiktighet eller uoppmerksomhet.
- Husk: du har selv ansvar for din egen sikkerhet. Sagen er konstruert for bestemte arbeidsoppgaver. Vi anbefaler på det sterkeste at du ikke forandrer på sagen eller bruker den til noe den ikke er konstruert til.
- Bruk ikke sagen dersom du er usikker på om den kan eller bør brukes slik du har tenkt deg.

Kontroller at alle delene fungerer tilfredsstillende og at sikkerhetsanordningene beskytter slik som de skal, før du starter sagen.

1. **Advarsel!** Bruk kun kappeklinger. Påse at hardmetallklingene har negativ tanning. Bruk ikke klinger med dype mellomrom mellom tennene fordi de kan bøyes og komme i kontakt med klingebeskyttelsen. En skadet sageklinge skal skiftes ut umiddelbart!
2. Bruk ikke sagen før den er helt og riktig montert i henhold til denne bruksanvisningen. Kontroller motorens og klingens rotasjonsretning (se rotasjonspil på klingebeskyttelsen). Kontroller at ikke sagklingen kommer bort i rotasjonsbordet i noen innstilling. Dra ut stikkontakten og hell sagklingen manuelt i 45° og 90°. Juster saghodet dersom det trengs.
3. Hvis du ikke forstår hvordan sagen skal håndteres, bør du be noen som kan det om råd.
4. Ikke sag på frihånd. Fest emnet sikkert mot anslaget på en passende måte før du begynner å sage! Hvis emnet, som du sager i, krever at du har den ene hånden så nær klingens spiss som ca. 10 cm, skal du alltid låse emnet i posisjon med en tvinge etc. før saging.
5. **Advarsel!** Hold hendene borte fra sagklingen. Sag aldri i for små emner. Bruk påskyver!
6. Kontroller at klingens spiss er riktig sentrert og skarp og at den løper fritt og uten vibrasjoner.
7. La motoren komme opp i turtall før du starter sagingen.
8. Hold motorens ventilasjonsåpninger fri for skrap og spon.

9. Påse at alle tvingeskruer er godt dratt til før du starter sagingen selv om bordet er festet i fast vinkelposisjon.
10. Pass på at klingene og flensene er rene og at spindelmutteren er dratt til. Bruk kun klingeflenser som hører til akkurat denne sagen.
12. Bruk kun sagklinger med diameter, hastighetsklasifisering og øvrige data som er angitt i maskinens tekniske spesifikasjoner.
13. Sørg for å ha tilstrekkelig med støtte ved saging av lange emner.
14. Kontroller alltid før sagingen at klingene ikke er sprukket eller på annen måte skadet. Hvis den er det må den skiftes ut umiddelbart!
15. Bruk ikke sagen hvis noen av komponentene mangler, er skadet eller ikke fungerer som de skal. Dra alltid ut stikkkontakten til sagen hvis den begynner å låte rart eller å vibrere. La en fagperson skifte ut komponentene som mangler eller ikke fungerer før du bruker sagen igjen.
16. Sag aldri hvis beskyttelsen ikke sitter på plass eller ikke fungerer som den skal.
17. Strekk deg aldri rundt eller bak klingene når den roterer. Stå støtt slik at du ikke mister balansen.
18. Kontroller at klingene kan rotere fritt (ekstra viktig etter transport og/eller skifte av klinge) før du setter i stikkkontakten og starter sagen.
19. Lås aldri strømbryteren i posisjon ON.
21. **Viktig!** Når du har kappet helt gjennom emnet: Slipp strømbryteren og vent til klingene har sluttet å rotere, før du løfter opp saghodet.
22. Slipp strømbryteren og vent til klingene stopper før du flytter emnet eller forandrer på innstillinger.
23. Ikke ta bort deler/trebiter som har satt seg fast før klingene har stanset helt.
24. Sag aldri i metaller, tegl eller mur.
25. Bruk ikke verktøyet i nærheten av lettantennelige væsker eller gasser.
26. Rengjør aldri sagens plastdeler med løsemidler. Løsmidlene kan skade plasten. Rengjør kun med en myk og lett fuktet klut.
27. Dra ut stikkkontakten og rengjør sagen før du forlater den. Påse at arbeidsplassen er ryddet når du er ferdig med jobben.
28. Spar denne bruksanvisningen. Ta en titt på den rett som det er og bruk den når du skal sette andre inn i bruken av maskinen. Påse at alle personer som bruker sagen leser disse instruksjonene.
29. Sagen må ikke utsettes for regn. Den må heller ikke brukes i fuktig miljø.
30. Sørg for å ha godt arbeidslys.
31. Ikke bruk hansker, løstsittende klær, smykker eller liknende som kan feste seg i roterende deler.
32. Brukere av sagen skal minst være 18 år. Brukere som er 16 år skal ha være under oppsikt av instruktør ved bruk av sagen. Hold barn unna sagen når den er koblet til strøm.
33. Hold god orden på arbeidsplassen. La ikke kapp og annet skrap ligge framme unødig. Se til at spillbiter løsnes fra sageklingen og fjernes. Hvis ikke kan de bli kastet i vei.
34. Ikke distraher personer som jobber med sagen.
35. Forsøk ikke å stoppe klingene ved å trykke noe mot klingens side når du har stengt strømmen til sagen.
36. Bruk aldri sagklinger som ikke stemmer overens med spesifikasjoner i denne malen.
37. Det er viktig å alltid kontrollere at alle deksler og beskyttelser fungerer som de skal.
38. Lås aldri fast beskyttelsehetten i åpen stilling. Maskinens beskyttelser må heller ikke fjernes eller forandres på. Bruk aldri en skadet eller gal sikkerhetsanordning. Skift ut umiddelbart!
39. Påse at hendene er plassert sikkert, så de ikke går inn i sageklingen hvis du mister balansen. Sag aldri i emner, som er så små at de ikke kan holdes på en trygg måte.
40. Bruk et bord, rullestøtte etc. som støtte når du jobber med lange arbeidsemner, så maskinen ikke velter.
41. Runde arbeidsemner må spennes fast med en passende anordning, slik at de ikke begynner å rotere.

42. Påse at arbeidsstykket er fritt for spiker og andre fremmede elementer.
43. Stå alltid ved siden av sageklingen når maskinen er i bruk, så du ikke treffes av den hvis den skulle gå i stykker.
44. Trykk alltid arbeidsstykket mot bordet og anholdet ved saging, slik at det ikke kan vri seg eller bevege seg under sagingen.
45. Sag aldri flere emner samtidig.
46. Forsøk aldri å ta bort spon, fliser eller trebiter som har satt seg fast, mens sagen roterer. Hvis du skal justere maskinen eller fjerne biter som har satt seg fast, så skru alltid av maskinen først og dra stikkkontakten ut fra vegguttaket.
47. Hvis du skal forandre, justere eller rengjøre maskinen eller måle arbeidsemnet, så skru alltid av maskinen først og dra stikkkontakten ut fra vegguttaket.
48. Steng motoren og dra ut stikkkontakten når du forlater arbeidsplassen din.
49. Installasjon av strøm, reparasjoner og vedlikehold skal kun utføres av fagfolk.
50. Alle beskyttelser og sikkerhetsanordninger skal settes på plass igjen umiddelbart etter reparasjoner og vedlikehold.
51. Det er viktig å følge produsentens sikkerhets-, bruks- og vedlikeholdsanvisninger. Likedan så skal også alle anbefalinger om dimensjoner etc. som angis i "tekniske data" følges.
52. Dette for å følge gjeldende lover og forskrifter.
53. I lukkede rom skal sponavsug kobles til. Rommet må da ha friskluftstilførsel for å unngå vakuum.
54. Sagen skal kun kobles til uttak med 230 V, og som er sikret med min. 10 A, trege.
55. Skadede sikkerhetsanordninger og deler skal skiftes ut eller repareres av fagfolk på autorisert verksted.
56. Denne maskinen oppfyller alle relevante sikkerhetskrav. Maskinen må kun repareres av godkjent fagperson på autorisert verksted og kun med originale deler. Hvis du ikke følger denne regel kan det føre til ulykke og utsette brukeren for fare.
57. Bruk ikke sageklinger som er tykkere eller tynnere enn kløyvekniven (gjelder sirkelsager).
58. Bruk alltid kløyvekniv ved klyving.
59. Kontroller at kløyvekniven er justert slik at: Avstanden mellom sageklingens tenner og klyvekniven er mellom 5 og 6 mm.
60. Kløyvekniven skal ha en radius som tilsvarer sageklingens diameter.
61. Dersom maskinen er levert med hardmetallsklinge skal den ikke brukes med hurtigstålklinger (HSS).

2. Produktmerking med sikkerhetssymboler på maskinen



Bruk alltid vernebriller eller visir og støvmaske.

Bruk alltid hørselvern.

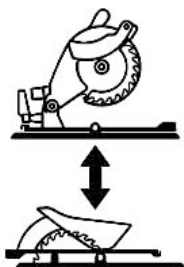


Dersom ikke disse advarslene følges, kan det føre til personskade eller skade på maskinen.

Fortsett å holde sagehodet nede til klingens har stoppet helt. Dette for å unngå skade fra fukende spon og vasse fliser.



Dra ut støpselet før bordet snues for skifte av arbeidsmetode.



Legg merke til at bolten på klingens er venstregjennget.



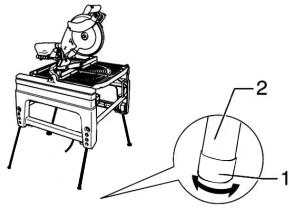
Fjern kapp, spon etc. fra bordet før kombinasjonssagen startes opp.



Tenk på hvor du plasserer hendene når du flytter på sagen.

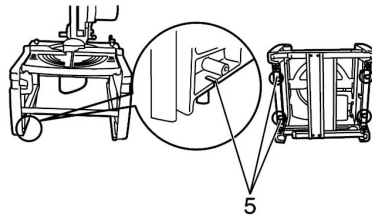
3. Beskrivning

①



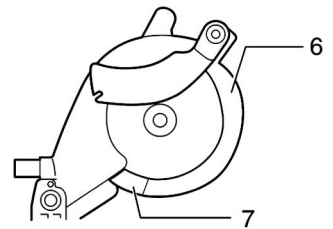
- 1. Justeringsfot
- 2. Ben

②



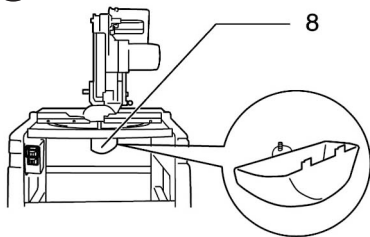
- 5. U-format feste

③



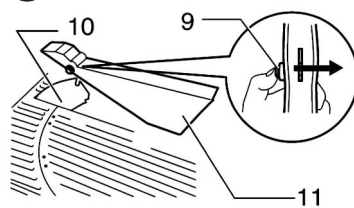
- 6. Bevegelig klingebeskyttelse/deksel
- 7. Fast klingebeskyttelse/deksel

④



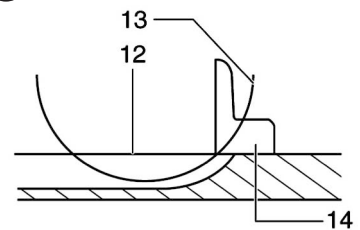
- 8. Klingebeskyttelse, nedre (brukes kun i kappe- og gjæresagposisjon)

⑤



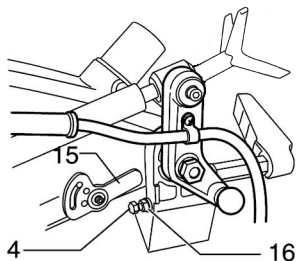
- 9. Sperre til øvre klingebeskyttelse
- 10. Kløyvekniv
- 11. Øvre klingebeskyttelse (brukes kun med bordet i sirkelsagposisjon)

⑥



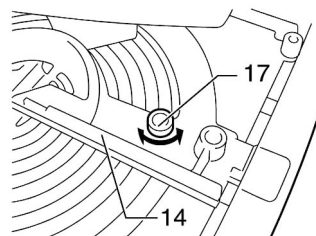
- 12. Øvre overflate på bordet
- 13. Klingens ytrediameter
- 14. Anhold

⑦



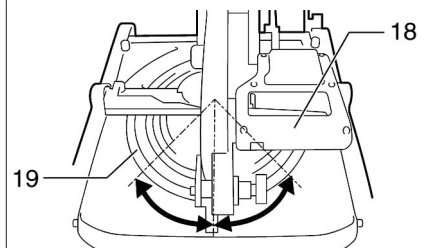
- 4. Bolt
- 15. Dybdeanhold
- 16. Låsemutter

⑧



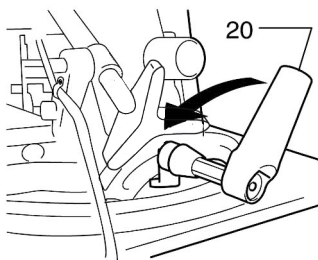
- 14. Anhold
- 17. Låseratt

⑨



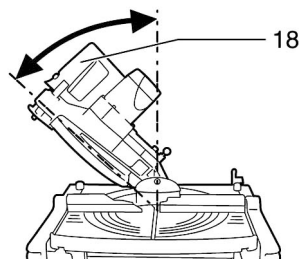
- 18. Håndtak
- 19. Dreibart bord

⑩



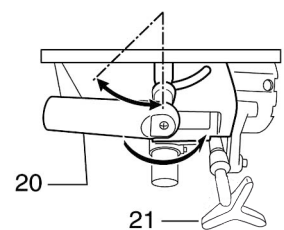
- 20. Låseratt

⑪

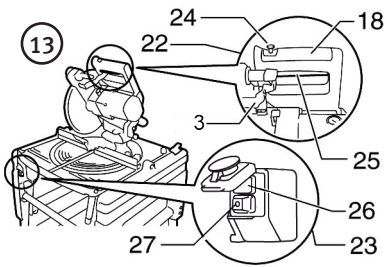


- 18. Håndtak

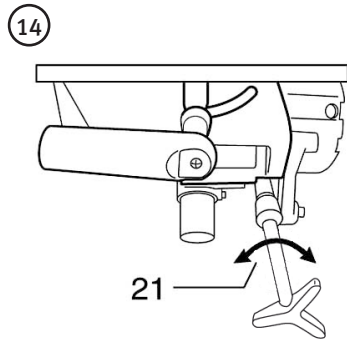
⑫



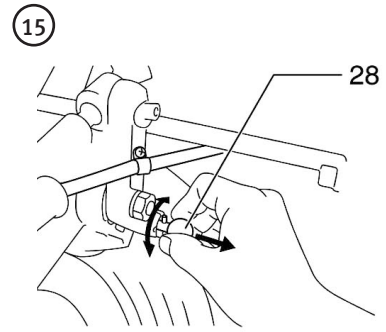
- 20. Låseratt
- 21. Ratt for innstilling av sagedybde



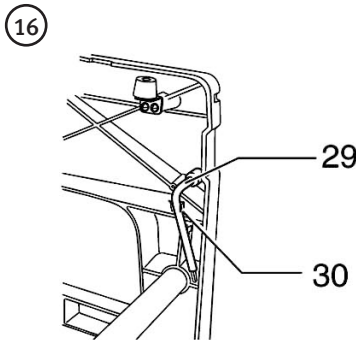
- 18. Håndtak
- 3. Sperre
- 22. Strømbryter (kappe- og gjæreposisjon)
- 23. Strømbryter/Nødstop (sirkelsagposisjon)
- 24. Sikkerhetssperre
- 25. Strømbryter i håndtaket (brukes i kappe- og gjæreposisjon)
- 26. Strømbryter (grønn) ON-PÅ (brukes i sirkelsagposisjon)
- 27. Strømbryter (rød) OFF-AV (Nødstop med lokk)



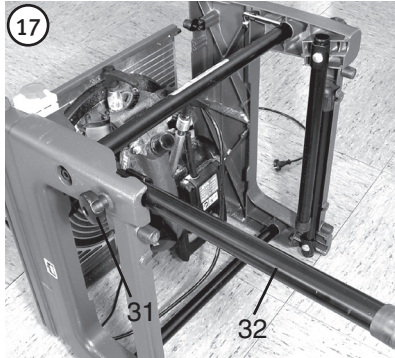
21. Ratt for innstilling av sagedybde



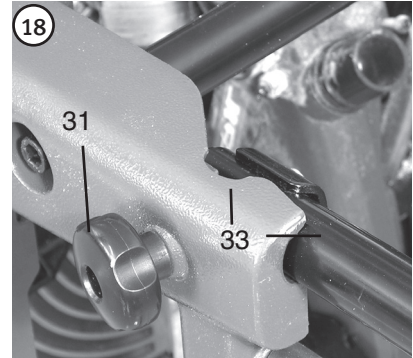
28. Sperre til saghodet



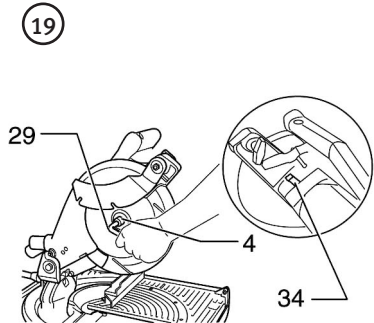
- 29. Nøkkel, 13 mm, til sageklingen
- 30. Holder til nøkkel



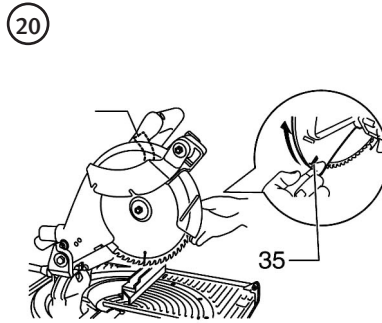
- 31. Låseratt til ben
- 32. Ben



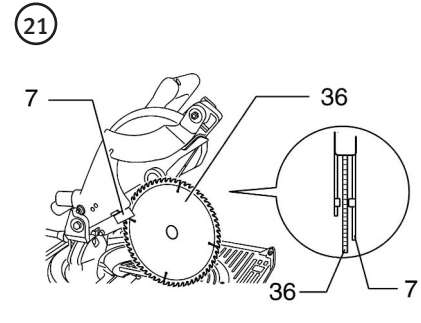
- 31. Låseratt til ben
- 33. Sete for ben



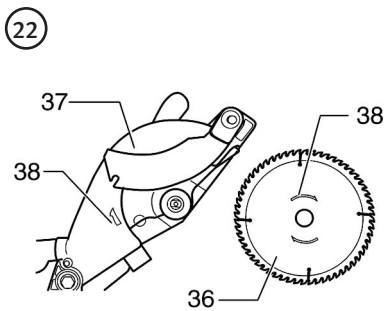
- 4. Bolt
- 29. Nøkkel, 13 mm, til sageklingen
- 34. Spindellås



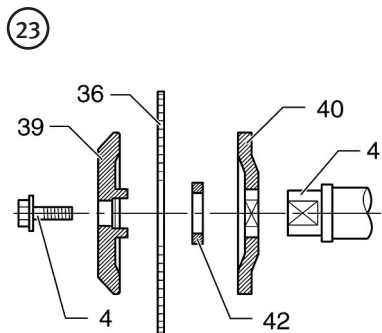
35. Løfteflik



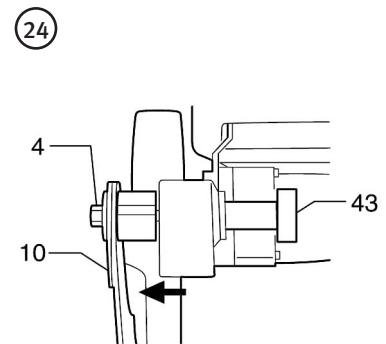
- 7. Fast klingebeskyttelse/deksel
- 36. Sageklinge



- 36. Sageklinge
- 37. Klingedeksel
- 38. Rotasjonspil

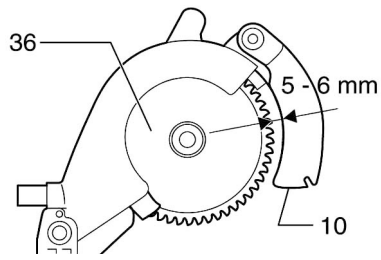


- 4. Bolt
- 36. Sageklinge
- 39. Ytre flens for klinge
- 40. Indre flens for klinge
- 41. Spindel
- 42. Innleggsbrikke



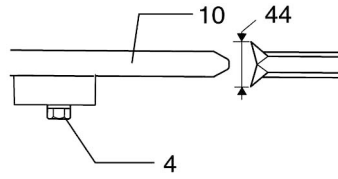
- 4. Bolt
- 10. Kløyvekniv
- 43. Låseratt for klyvekniv

25



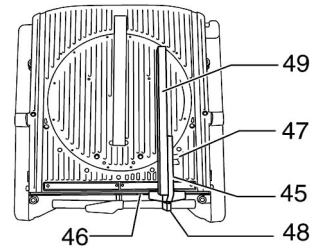
- 10. Kløyvekniv
- 36. Sageklinge

26



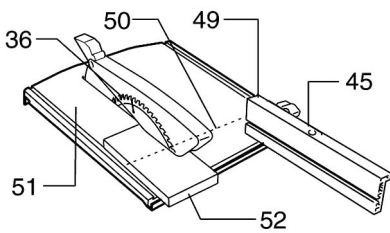
- 4. Bolt
- 10. Kløyvekniv
- 44. Sageklingens bredde

27



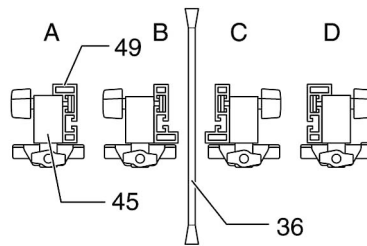
- 45. Holder for linjal til kløyving
- 46. Spår for linjal til kløyving
- 47. Låseratt for skinne
- 48. Låseratt for linjal til kløyving
- 49. Skinne for linjal til kløyving

28



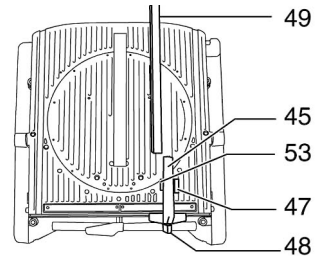
- 36. Sageklinge
- 45. Holder for linjal til kløyving
- 49. Skinne for linjal til kløyving
- 50. Linje til å stille inn mot
- 51. Bord sirkelsag
- 52. Arbeidsemne

29



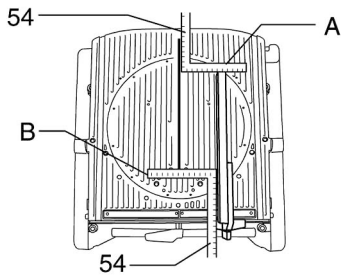
- 36. Sageklinge
- 45. Holder for linjal til klyv
- 49. Skinne for linjal til klyv

30



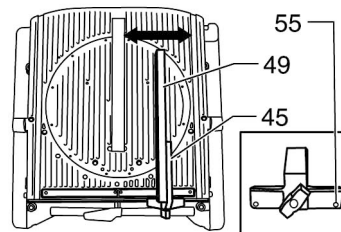
- 45. Holder for linjal til kløyving
- 47. Låseratt for skinne
- 48. Låseratt for linjal til kløyving
- 49. Skinne for linjal til kløyving
- 53. Mutter

31



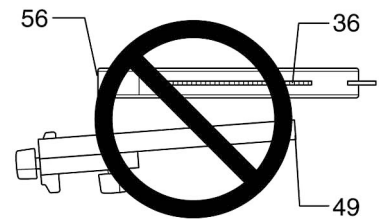
- 54. Vinkelhake (følger ikke med)

32



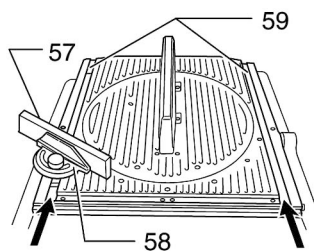
- 45. Holder for linjal til klyv
- 49. Skinne for linjal til klyv
- 55. Justeringskrue

33



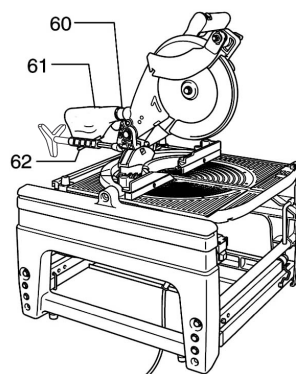
- 36. Sageklinge
- 49. Skinne for linjal til kløyving
- 56. Øvre klingebeskyttelse

34



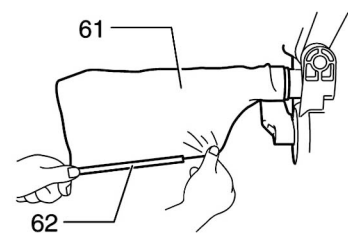
- 57. Skinne for gjærelinjal
- 58. Gjærelinjal
- 59. Spor for gjærelinjal

35



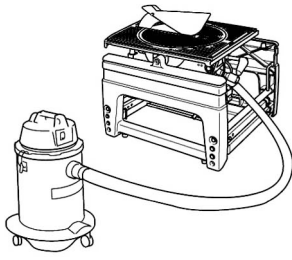
- 60. Tilkobling for støvpose
- 61. Støvpose
- 62. Kjede

36

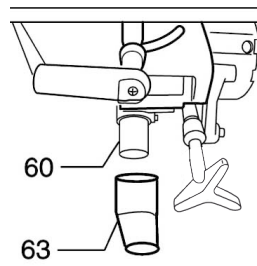


- 61. Støvpose
- 62. Kjede

37

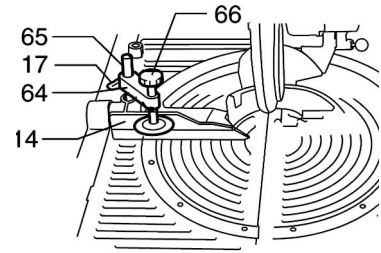


38



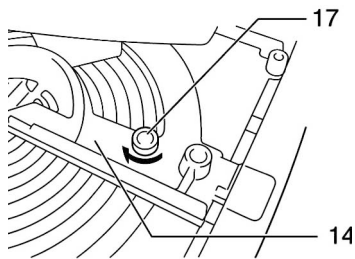
60. Tilkobling for støvpose
63. Vinkeltilkobling for støvpose

39



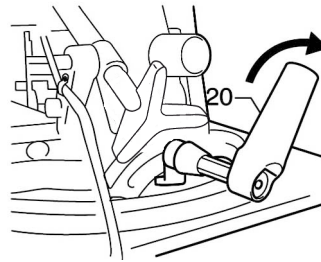
14. Anhold
17. Låseratt
64. Arm, tvinge
65. Stang, tvinge
66. Ratt, tvinge

40



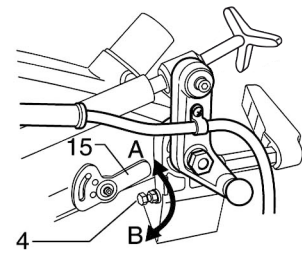
14. Anhold
17. Låseratt

41



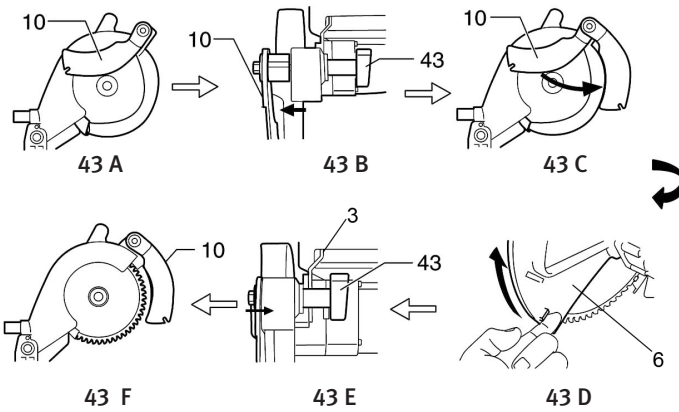
20. Låseratt

42



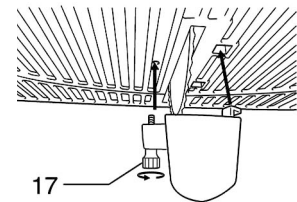
4. Bolt
15. Dybestopp

43



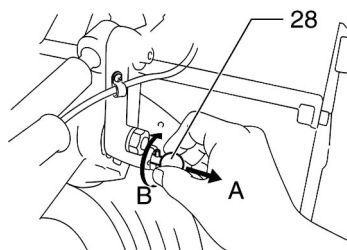
4. Bolt
15. Dybestopp

44



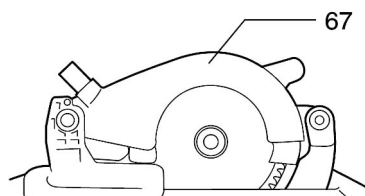
17. Låseratt

45



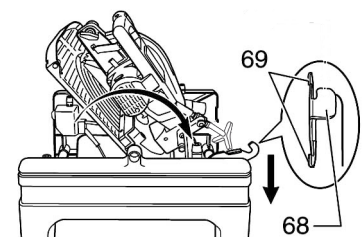
28. Sperre til saghodet

46



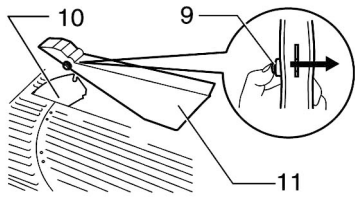
67. Klingedeksel

47



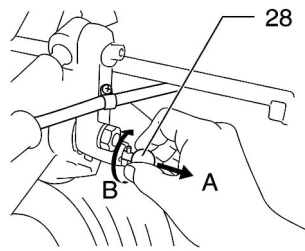
68. Klingebeskyttelse, nedre (brukes kun i kappe- og gjæresagposisjon)
69. Festehaker

48



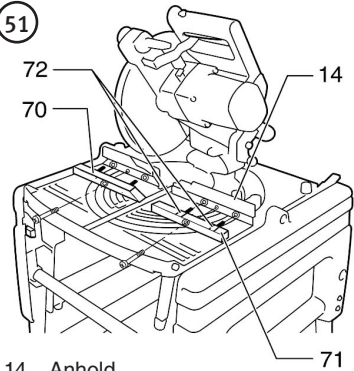
- 9. Sperre til øvre klingebeskyttelse
- 10. Klyvekniv
- 11. Øvre klingebeskyttelse (brukes kun med bordet i sirkelsagposisjon)

49



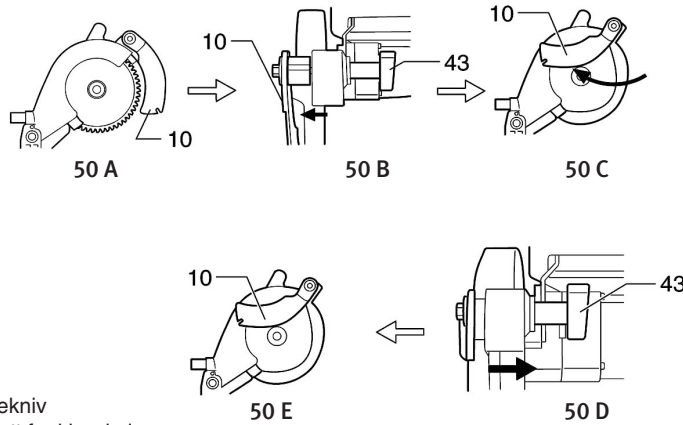
28. Sperre til saghodet

51



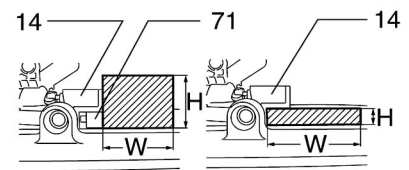
- 14. Anhold
- 70. Nedre anhold, venstre
- 71. Nedre anhold, høyre
- 72. Styrepinner

50



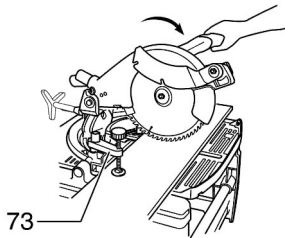
- 10. Kløyvekniv
- 43. Låseratt for kløyvekniv

52



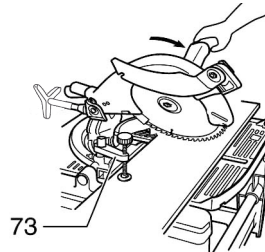
- 14. Anhold
- 71. Nedre anhold, høyre

53



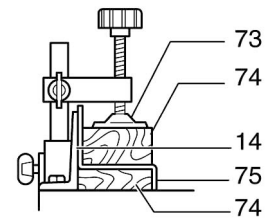
73. Tvinge

54



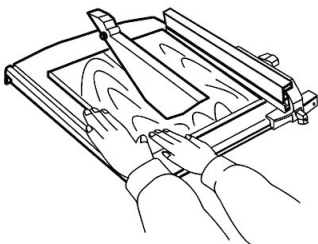
73. Tvinge

55

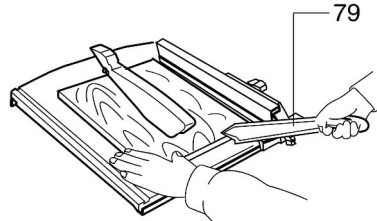


- 14. Anhold
- 73. Tvinge
- 74. Anlegg
- 75. Aluminiumsprofil (arbeidsstykke)

56

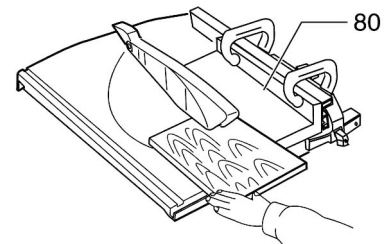


57



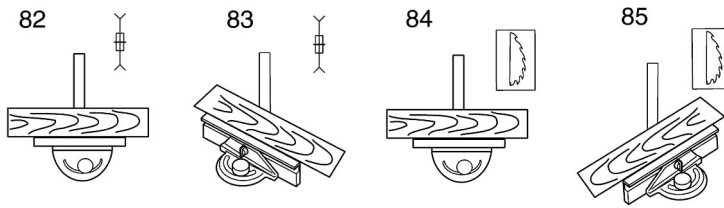
79. Påskyver

58



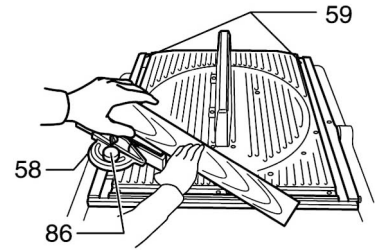
80. Eget anhold (følger ikke med)

59



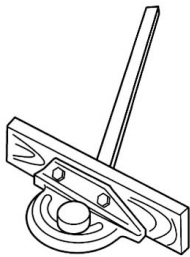
- 82. Vinkelrett kapping
- 83. Gjæring
- 84. Kapping i vinkel
- 85. Kapping i vinkel og gjæring

60

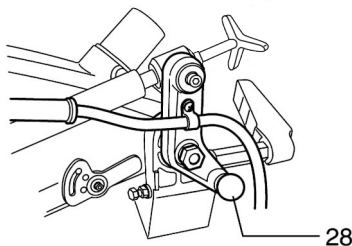


- 58. Gjærelinjal
- 59. Spor for gjærelinjal
- 86. Låseratt

61

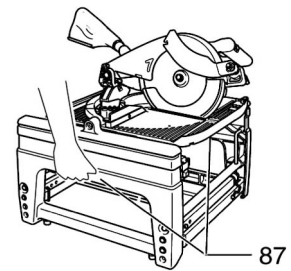


62



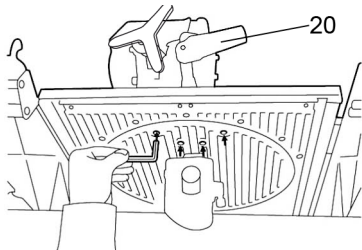
- 28. Sperre til saghodet

63



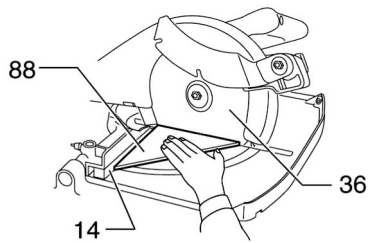
- 87. Passende plass å holde hendene ved flytting

64



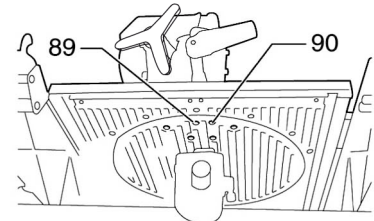
- 20. Låseratt

65



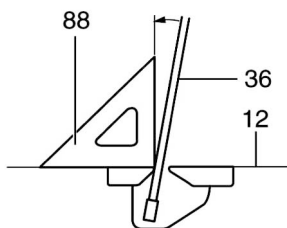
- 14. Anhold
- 36. Sageklinge
- 88. Vinkelhake (følger ikke med)

66



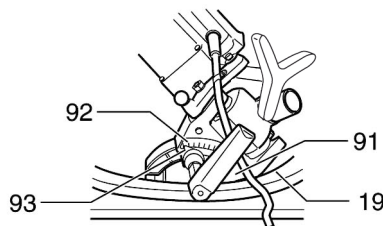
- 89. Justeringsskrue (0°)
- 90. Justeringsskrue (45°)

67



- 12. Øvre overflate på bordet
- 36. Sageklinge
- 88. Vinkelhake (medfølger ej)

68



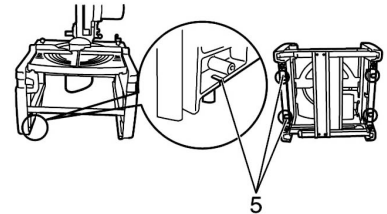
- 19. Dreibart bord
- 91. Låseratt
- 92. Skala for innstilling av helling
- 93. Indeksmerke

Bordsirkelsag: (motoren under bordet)
Kapp- og gjæresag: (motoren over bordet)

4. Gjør sagen klar til bruk

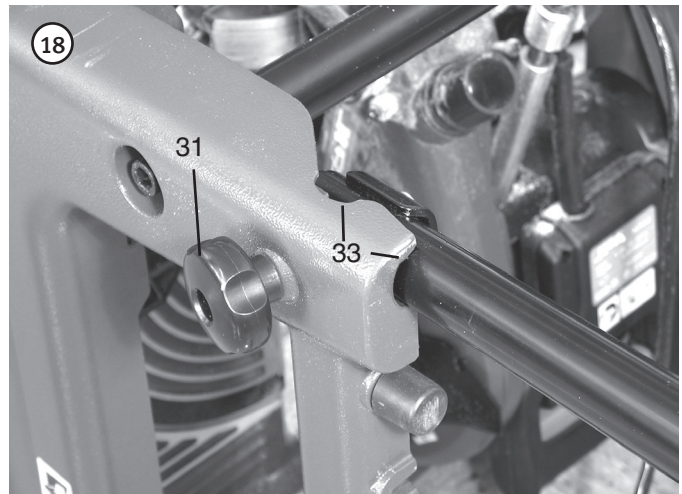
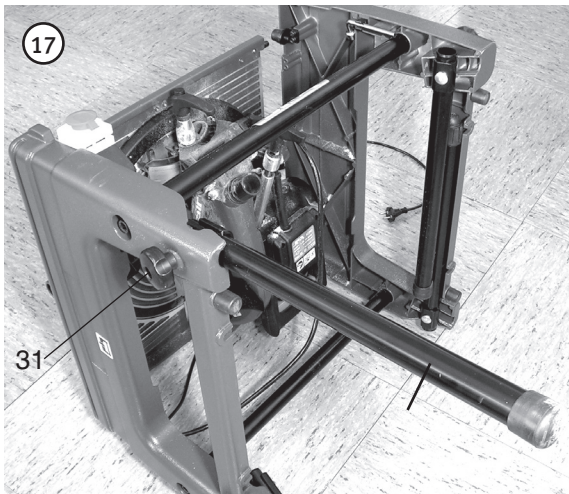
Obs!

- Påse at gulvet rundt maskinen er ryddet for kapp, spon og annet som utgjør fare for å snuble.
- Kombinasjonssagen kan brukes stående på gulvet med beina slått ut eller montert på en arbeidsbenk med beina sammenslått.
- Hvis kombinasjonssagen skal monteres på en benk, bord etc. må den festes med gjennomgående bolter. Fig 2.



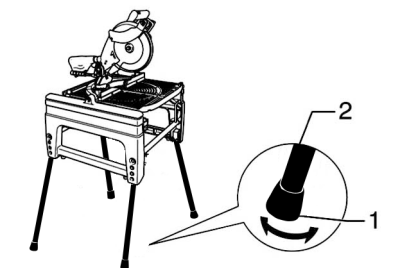
4.1 Slå ut beina

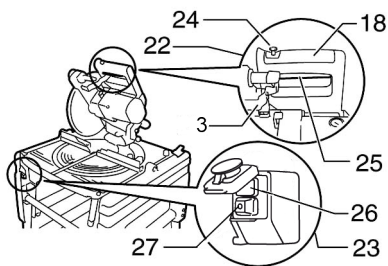
1. Legg kombinasjonssagen ned på den ene siden.
2. Løsne på de store rattene (31) som låser beina.
3. Slå beina ut og dra til rattene igjen slik at beina blir stående i låst og utslått posisjon.
4. Gjør det samme på den andre siden.



Justering av ben

Beina må stå stødig på underlaget. Juster dem ved behov med justeringsfoten (1), som sitter lengst nede på beina, hvis gulvet er ujevnt. Vri motsols for å skru den inn og medsols for å skru den ut.





5. Funksjonsbeskrivelse

5.1 Start/stopp

Start og stopp av kombinasjonssagen utføres på forskjellige måter avhengig av hvordan sagen skal brukes.

I sirkelsag-posisjonen: (motoren under bordet)

Start og stopp utføres med strømbryteren (23) (under det gule lokket).

- Trykk på den grønne knappen (26) for å starte motoren.
- Trykk på den røde knappen (27) for å stenge maskinen.

I kapp- og gjæresag-posisjon (motoren over bordet)

Start og stopp utføres med strømbryteren (22).

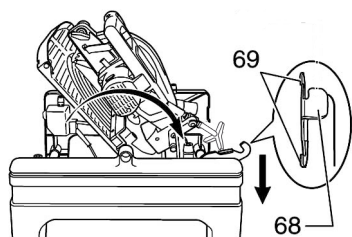
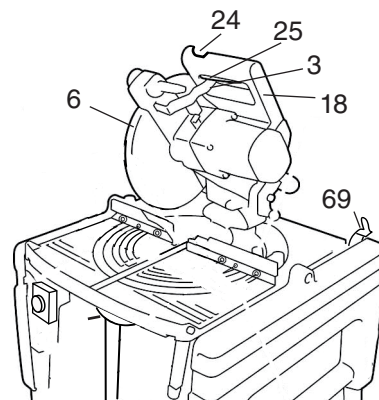
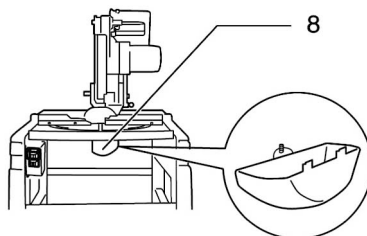
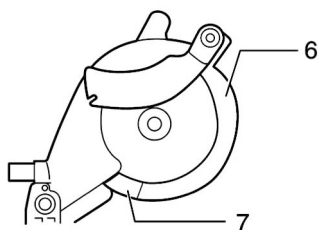
- Trykk inn sikkerhetssperreren (24) og strømbryteren (25) for å starte maskinen.
- Slipp strømbryteren (25) for å stenge motoren.

Advarsel! Dra ut støpselet før service, vedlikehold og justeringer.

Kombinasjonssagen er utstyrt med forskjellige typer av beskyttelse som skal monteres/brukes avhengig av om sagen er i bruk som sirkelsag eller kapp- og gjæresag.

Advarsel:

- Kontroller før hver gang du bruker sagen at alle beskyttelsesdeksler er hele og at håndtaket (18) ikke kan trykkes ned uten at sperren (3) på håndtaket først trykkes mot venstre.
- Kontroller at den bevegelige klingebeskyttelsen (6) ikke åpnes uten at sperren (3) på håndtaket først trykkes mot venstre.
- Kontroller at den nederste klingebeskyttelsen (8) er montert før sagen brukes i kapp- og gjæresag posisjonen.
- Kontroller at den øvre klingebeskyttelsen (11) er montert før sagen brukes som sirkelsag.
- Bordet må være i en av arbeidsposisjonene slik at bryteren/sperreren (69) er slått helt ut og låser bordet.
- Kombinasjonssagen kan være svært farlig hvis den brukes når beskyttelsene ikke fungerer.



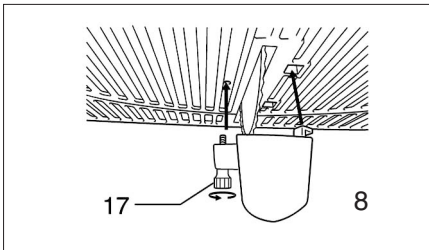
5.2 Montering og demontering av beskyttelse

Nederste klingebeskyttelse (8) og øvre klingebeskyttelse (11) brukes aldri samtidig. Den innstilte arbeidsposisjonen avgjør hvilken beskyttelse som skal brukes.

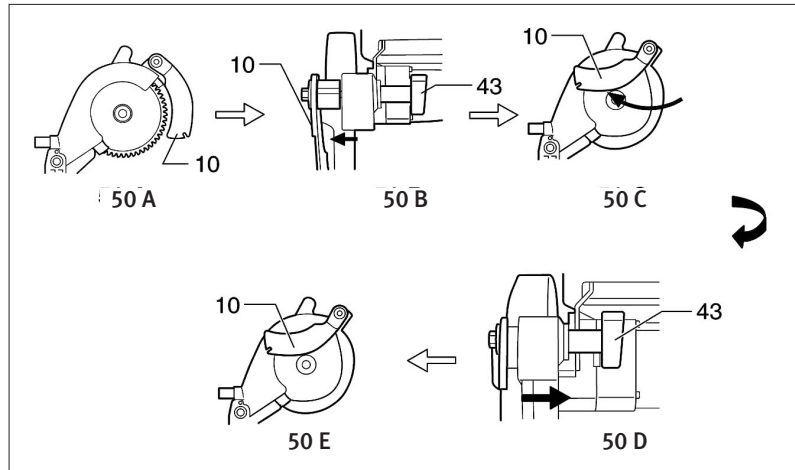
- Nedre klingebeskyttelse (8) (brukes kun i kapp- og gjæreposisjonen). Denne beskyttelsen monteres på bordets underside. Tre hakene i bordets underside og dra til med låserattet (17) på den andre siden. Fjern først beskyttelsen (11) hvis den er montert.

Løsne på klyvekniven (10) og fest den på siden:

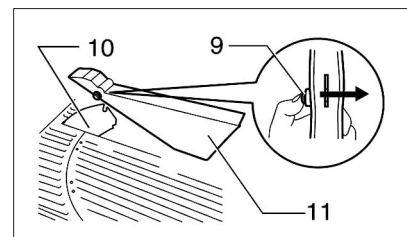
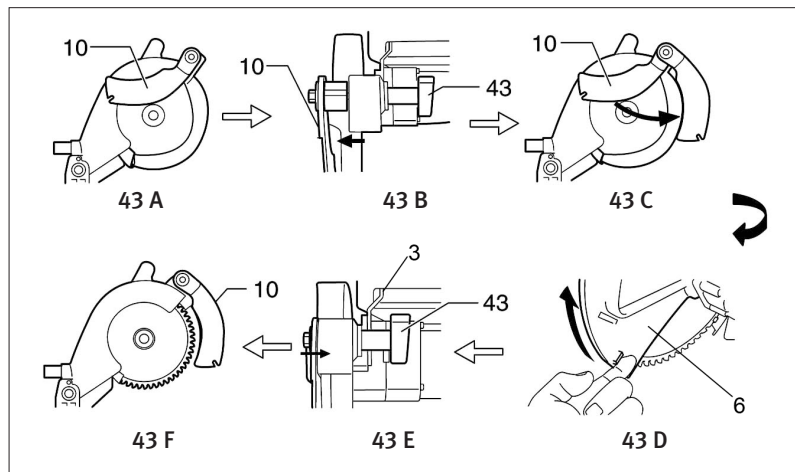
1. Løsne på rattet (43) og dra klyvekniven til siden (fig. 50-B).
2. Slå ut klyvekniven i pilens retning slik at den kommer (fig. 50-C).
3. Trykk inn klyvekniven og dra til rattet (43) (fig. 50 D).
4. Kontroller for hånd at klingens går rundt og at den løper fritt.



- Øvre klingebeskyttelse (11) (brukes kun med bordet i sirkelsagposisjon) monteres på klyvekniven (10).
5. Drei på bordet slik at motoren sitter over bordet. Fjern først beskyttelsen (8), hvis den er montert.



6. Klyvekniven (10) er løftet opp på siden når sagen brukes i kapp- og gjæresag posisjon (fig. 43-A).
7. Løsne på rattet (43) og dra klyvekniven til siden (fig. 43-B).
8. Slå ut klyvekniven i pilens retning slik at den er rett utenfor sagklingens tenner (fig. 43-C).
9. Trykk inn sperren (3) og ta opp beskyttelsen (6) så langt det går og dra til rattet (43) (fig. 43-E).
10. Kontroller for hånd at klingens går rundt og at den løper fritt.
11. Trykk ned bryteren/sperren (8) og vend på bordet.
12. Ta fram øvre klingebeskyttelse (11), trykk inn sperren (9) og hold den inntrykt. Plasser beskyttelsen over uttaket i klyvekniven og slipp sperren. Kontroller at beskyttelsen sitter fast og er bevegelig opp og ned.



5.3 Rengjøring av beskyttelsesdeksel

Advarsel!

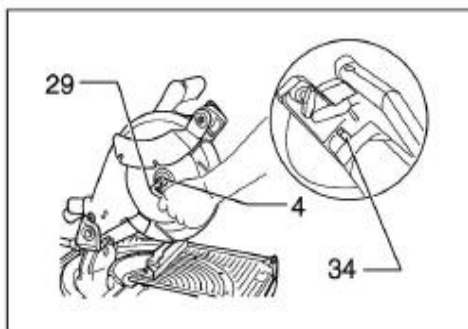
Dra ut støpselet før service, vedlikehold og justeringer.

De transparente beskyttelsesdekslene kan trenge rengjøring når spon og støv har festet seg og det er vanskelig å se gjennom dem.

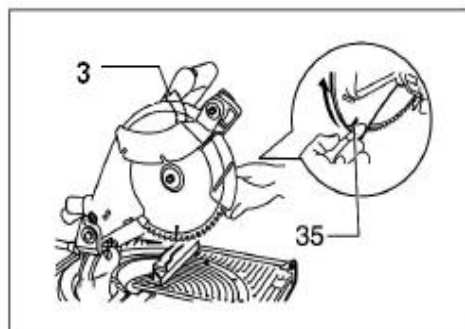
- Tørke av dekslene med en lett fuktet klut.
- Klingebeskyttelsen (6) rengjøres slik: Slipp håndtaket helt opp og fjern sageklingen (se avsnittet "Skifte av sageklinge"). Trykk sperren (3) til siden og vri beskyttelsesdekslet (6) i en posisjon slik at rengjøringen kan gjennomføres. Sett klingen tilbake på plass igjen.
- Kontroller alltid etter rengjøring/service at alle beskyttelsesanordningene fungerer.

5.4 Bytte av sageklinge

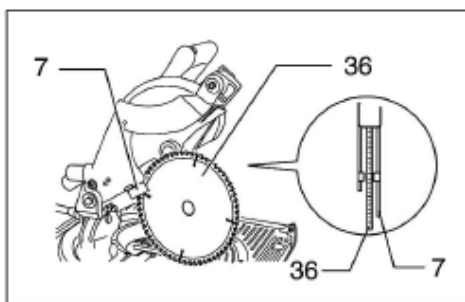
1. Vri sagen til posisjon Kapp og gjæringssag (motoren over bordet)
2. Før opp håndtaket og saghodet i øverste posisjon.
3. Trykk inn spindellåsen (34), bruk nøkkel (29) for å løsne boltene (4) ved å vri den medurs.
4. Løsne på sperren (3) og brett opp og hold tilbake den bevegelige klingebeskyttelsen med løftefliken (35).
5. Skru bort boltene (4) og fjern den ytre klingeflensen (39) og løft bort sagklingen (36).
6. Monter den nye klingen forsiktig og påse at rotasjonsretningen blir riktig, se rotasjonspilene (38) på sag-klingen (36) og klingeåpningen (37).
7. Monter ytre klingeflensen (39) og skru dit og dra til boltene (4).
8. Kontroller at klingen løper fritt og er montert korrekt.



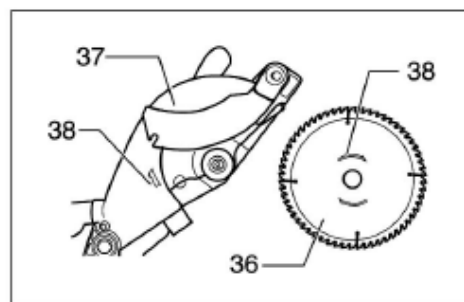
19



20



21

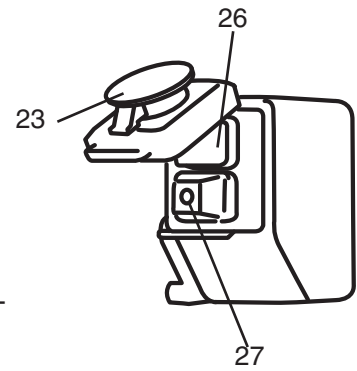


22

6. Nødstop

Når sagen brukes som sirkelsag er motoren tilkoblet via en nødstop.
Når sagen brukes som kapp- og gjæringsag er ikke motoren tilkoblet via nødstoppen, men den kan startes og stoppes ved hjelp av strømbryteren på håndtaket (22).

Lokket over strømbryteren (23) har funksjonen som "Nødstop".
Obs! Aktiver alltid "Nødstop" og dra ut stikkkontakten når sagen ikke er i bruk eller når den forlates uten tilsyn. Dette for å forhindre at barn eller andre uvedkommende starter sagen.



Aktivere Nødstop

Trykk inn lokket over strømbryteren (23). Da vil motoren skrus av og lokket festes i inntrykket posisjon.

Tilbakestilling av Nødstop

Tilbakestillingen utføres slik: Trykk den røde knappen opp (mot bordet) slik at sperren hukes av, og lokket over strømbryteren kan åpnes. Start deretter motoren på vanlig måte.

Obs! Sett alltid lokket tilbake over strømbryteren igjen når du har startet motoren, slik at du raskt kan stoppe motoren ved behov! (Ikke dytt lokket for langt inn slik at nødstoppen aktiveres).

6.1 Kløyvekniv

Kløyvekniven (10) er en viktig sikkerhetsdetalj, som forhindrer at klingens klemme blir klemt fast i arbeidsemnet. Den reduserer dermed faren for at arbeidsemnet kastes bakover mot operatøren.

Når sagen brukes som bordsirkelsag, må kløyvekniven alltid være montert, bak klingens.

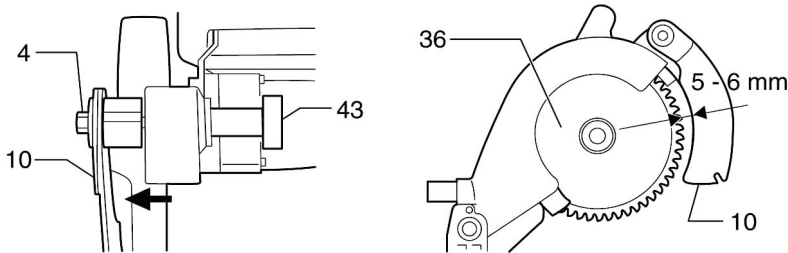
Juster kløyvekniven ved behov:

Det må være en avstand på ca. 5 – 6 mm mellom sagklingen (36) og kløyvekniven (10). Juster kløyveknivens posisjon ved å løsne bolten (4) og å justere avstanden mellom kløyvekniven og sagklingen til 5 – 6 mm. Dra bolten (4) til igjen.

Kløyvekniven må være på linje/parallel med sagklingen.

Advarsel!

Hvis sagklingen og kløyvekniven ikke er riktig justert på linje med hverandre, kan arbeidsemnet huke seg fast og kastes bakover mot operatøren. Sagklingen og kløyvekniven må være parallelle.



6.2 Montere og justere klyvelinjalen

1. Monter kløyvelinjalens holder (45) i skinnen (46) på bordet.
 2. Still den inn på ønsket breddemål etter skalaen og dra til låserattet (48).
 3. Løsne låserattet (47).
 4. Skyv skinnen (49) i holderen (45) slik at den stopper akkurat der sageklingen (36) går opp gjennom bordet (se linjen 50).
- Obs!** Dette er viktig for å unngå at arbeidsemnet kastes bakover mot operatøren hvis det fester seg mellom anhold og sageklingen. Påse at innstillingen blir endret for forskjellige tykkelser og vinkelinnstillinger.
5. Dra til låserattet (47) slik at anholdet sitter sikkert.

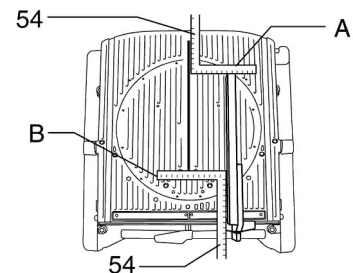
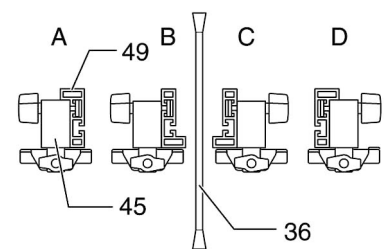
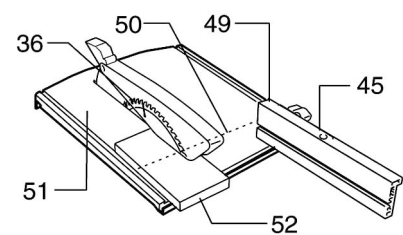
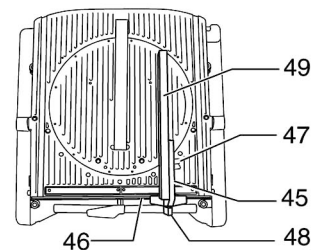
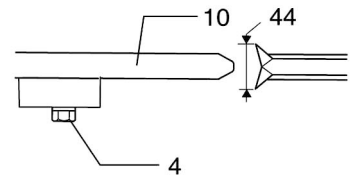
Obs!

Kløyvelinjalen har en form som gjør at den kan monteres på holderen (45) i 4 forskjellige posisjoner.

Kløyvelinjalen må være parallell med sageklingen. Dette kontrolleres på følgende måte:

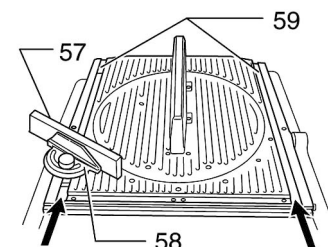
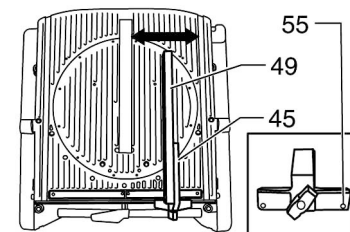
1. Still sageklingen i høyeste posisjon over bordet.
2. Merk en av tennene på sageklingen.
3. Roter klingen for hånd til den merkede tannen er på høyde med bordet. Mål avstanden mellom tannen og klyvelinjalen. Bruk en vinkelhake, stållinjal etc.
4. Roter klingen bakover en halv omdreining for hånd til den merkede tannen er på høyde med bordet. Mål avstanden mellom tannen og kløyvelinjalen i denne posisjonen. Hvis de to målene (A) og (B) er like, er kløyvelinjalen parallell med sageklingen.
5. Juster kløyvelinjalen ved behov: Holderen (45) har en justeringssskrue på utsiden. Løsne litt på låserattet (48) og vri justeringssskruen til kløyveanholdet er parallelt med sageklingen. Dra til låserattet (48).
6. Kontroller at sageklingen kan rotere fritt og at all sikkerhetsanordningen fungerer.

Obs! Løft ikke i kløyveanholdet. Holderen kan gå i stykker.



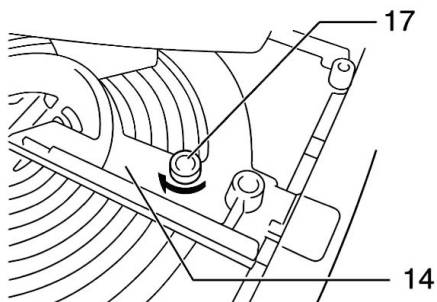
6.3 Gjæringslinjal

1. Fest skinnen (57) til gjæringslinjal (58).
2. Monter gjæringslinjal (58) på bordet ved å skyve linjalens lange aluminiumsprofil i ett av sporene (59) i bordet fra framsiden.

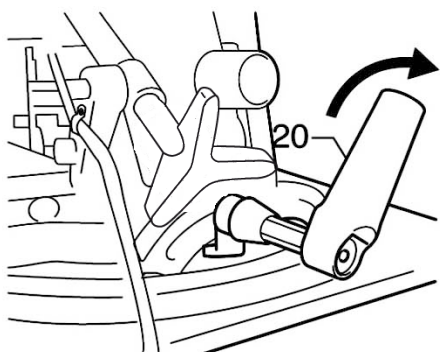


7. Bruk kombinasjonssagen som bordsirkelsag

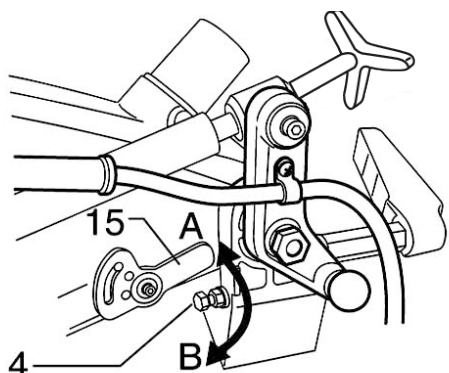
Still inn maskinen som sirkelsag



1. Still bordet i vinkel 0° og lås det fast med låserattet (17).



2. Dra til låserattet (20) for å feste saghodet.

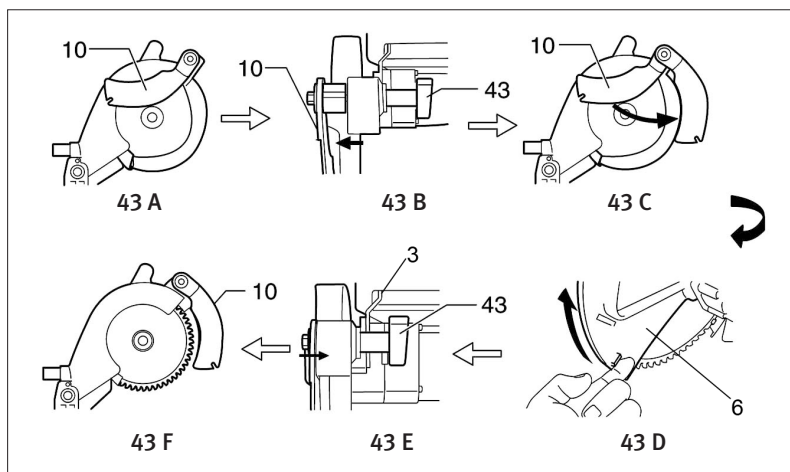


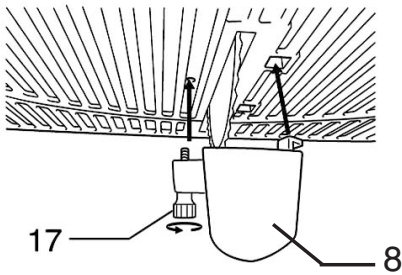
3. Skyv opp dybdeanholdet (15) mot A slik at det går fritt for bolten (4).

4. Skyv kløyvekniven fram.

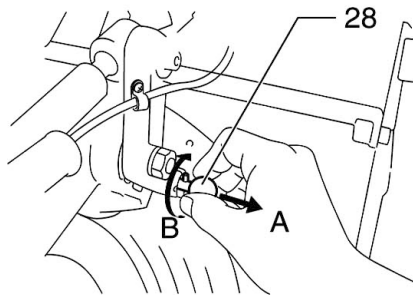
Øvre klingebeskyttelse (11) (brukes kun med bordet i sirkelsagposisjon) monteres på kløyvekniven (10).

- a) Kløyvekniven (10) er oppe på siden når sagen brukes i sirkelsagposisjon (fig. 43-A).
- b) Løsne på rattet (43) og dra kløyvekniven til siden (fig. 43-B).
- c) Slå ut kløyvekniven i pilens retning slik at den er rett utenfor sagklingens tenner (fig. 43-C).
- d) Trykk inn sperren (3) og løft opp dekkelet (6) så langt som mulig (fig. 43-D). Dra til rattet (43) (fig. 43-E).





5. Fjern den nederste klingebeskyttelsen (8).



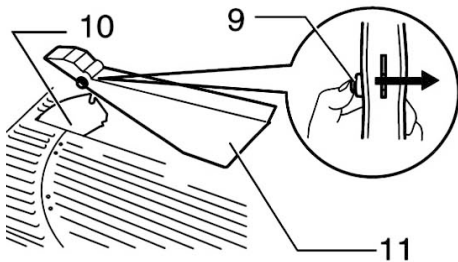
6. Lås fast saghodet: Dra ut sperren (28) og vri den medsols 90°, som pilen B viser. Trykk håndtaket ned til saghodet låses fast.

Advarsel! Sperren (28) må være låst før bordet snues. Hvis ikke sagehodet kan låses av sperren (28) i nedfelt stilling må du vri innstillingsrattet (21) medsols til sperren låser saghodet.

7. Snu bordet.

Advarsel! Husk dette før bordet snues:

- Stopp maskinen med nødstoppen. Trekk ut støpselet. La klingen stoppe helt.
- Tenk etter hvor du plasserer hendene når du snur bordet. Hold på midten av bordets kant og trykk ned bryteren/sperren (68) på bordet. Vend bordet forsiktig.
- Trykk på bryteren/sperren (68) slik at den låser bordet igjen.



8. Monter den øvre klingebeskyttelsen.

- Ta fram øvre klingebeskyttelse (11), trykk inn sperren (9) og hold den inntrykt. Plasser beskyttelsen over uttaket i kløyvekniven og slipp sperren.
- Kontroller at beskyttelsen sitter fast og er bevegelig opp- og nedover.

7.2 Bruk som sirkelsag

Obs!

- Bruk alltid påskyver eller liknende. Hold fingrene på god avstand når sagen er i gang.
- Hold alltid arbeidsemnet trykket mot kløyvelinjalen og bordet. Ikke skyv skjevt på arbeidsemnet. Da kan det festes seg og kastes bakover mot operatøren.
- Dra ALDRI arbeidsemnet bakover mens sageklingen roterer. Da kan emnet kastes bakover mot operatøren. Skru av motoren og la klingen stoppe helt opp. Dra deretter arbeidsstykket bakover.
- Forsøk ALDRI å fjerne spon eller kapp fra sagen mens sageklingen roterer.
- Hold ALDRI hender eller fingre nær sageklingen, eller der sagesporet vil komme på arbeidsstykket, mens klingen roterer.
- Kløyvelinjalen må alltid være ordentlig skrudd fast. Hvis ikke kan arbeidsemnet kastes bakover mot operatøren.

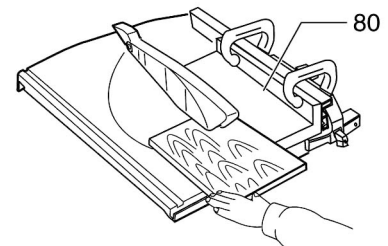
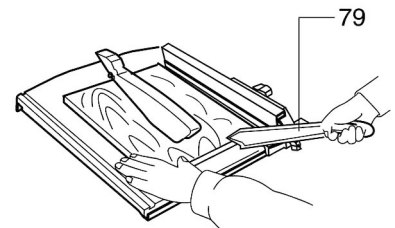
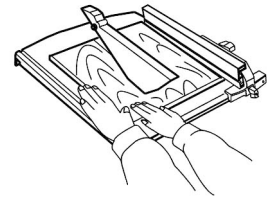
7.3 Klyving

Arbeid riktig:

- Stå på forsiden av sagen når du jobber med den. Forsøk å ha god balanse i kroppen din.
- Stå aldri rett foran klingene. Hvis den brister, kastes den rett ut.
- Bruk påskyver ved behov.

Obs!

- Ta gjæringslinjalen bort fra bordet før kløyvingen starter.
 - Bruk støtte ved lange eller store arbeidsemner. Støtten skal ha samme høyde som bordet. Få hjelp av en annen person til å holde/støtte opp, dersom det er behov for det.
1. Juster sagdybden slik at den er litt større enn arbeidsstykkets tykkelse. (Se: "Justere sagdybden").
 2. Juster kløyvelinjale plassering og dra til låserattene (47) og (48) på kløyvelinjaleholderen (45).
 3. Start motoren og mat arbeidsemnet langs kløyvelinjalen og forbi sageklingen.
 4. Hvis bredden er over 150 mm, bør du bruke én hånd til å mate fram emnet og den andre hånden til å skyve det mot kløyvelinjalen.
 5. Hvis bredden er 65 til 150 mm, bør du bruke en påskyver (79) til å mate fram arbeidsemnet med.
 6. Hvis arbeidsstykket er smalere enn 65 mm bør du bruke et eget anhold (80) (følger ikke med), ellers kommer påskyveren til å ta borti beskyttelsesdekselet. Fest anholdet med tvinger.



Mat fram arbeidsstykket for hånd til det er noen centimeter foran bordet. Fortsett deretter å mate fram til snittet er ferdig, samtidig som du holder ned med en annen påskyver.

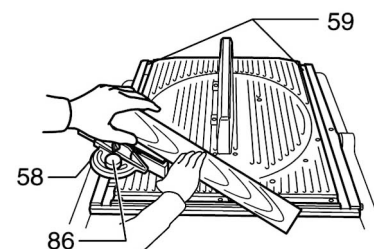
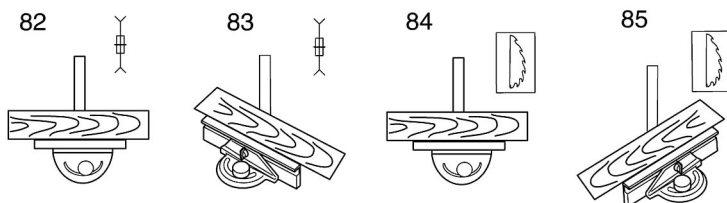
7.4 Kapping med gjærelinjal

Obs!

- Fjern kløyvelinjalen før "Kapping med gjærelinjal".
- Bruk støtte ved lange eller store arbeidsemner. Støtten skal ha samme høyde som bordet. Få hjelp av en annen person til å holde/støtte opp ved behov.
- Hold hender/fingre på god avstand fra klingene.

Gjærelinjal

Gjærelinjal kan brukes til fire forskjellige typer gjæringskapping.



Advarsel!

- Dra godt til låserattene til gjærelinjal.
- Trykk ikke for hardt på arbeidsemnet slik at vinkelen endres ved kapping.
- Hold aldri i den delen som skal kappes bort (kappet). Prøv heller ikke å strekke deg etter den. Tenk deg om så du jobber risikofritt.

Bruk gjærelinjal

Skyv gjærelinjal inn i ett av sporene (59) på bordet. Løsne på låserattene (86) og still inn ønsket vinkel (0° til 60°). Legg arbeidsemnet mot gjærelinjal og før det sakte mot sageklingen.

8. Bruk kombinasjonssagen som kapp- og gjæresag

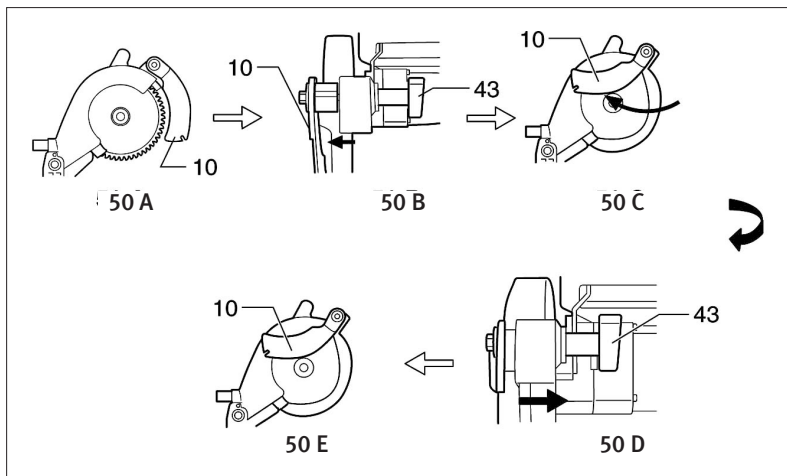
Still inn maskinen som kapp- og gjæresag

Advarsel! Som kapp- og gjæresag skal det underste klingebeskyttelsen (8) være montert.

1. Fjern den øverste klingebeskyttelsen (11). Trykk inn sperren (9) og hold den inntrykt. Dra beskyttelsen oppover fra klyvens uttak.
2. Monter den nederste klingebeskyttelsen (8). Sett i hakene på bordet og dra til festeskruen (17).
3. Snu bordet. (Fig.5)

Advarsel! Husk dette før bordet snues:

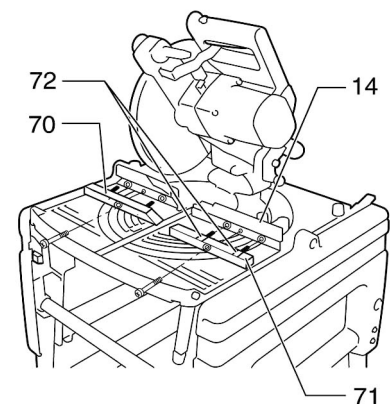
- Skru av maskinen med nødstoppen. Trekk ut støpselet. La klingen stoppe helt.
- Tenk etter hvor du plasserer hendene når du snur bordet. Hold på midten av bordets kant og trykk ned bryteren/sperren (68) på bordet. Vend bordet forsiktig.
- Trykk så langs at bryteren/sperren (68) låser bordet igjen.



4. Løsne sagehodet fra den nederste posisjonen: Dra ut sperren (28) og hold den ute. Vri den med 90° som pilen B viser. Hold i håndtaket og slipp forsiktig opp sagehodet. (Fig.49)
5. Ta opp klyvekniven.
 - a) Kløyvekniven (10) skal tas opp på siden av klingedekselet når sagen brukes som kapp- og gjæresag.
 - b) Løsne på rattet (43) og dra kløyvekniven til siden (fig. 50-B). Ta tak i den bevegelige klingebeskyttelsen (6) og hold mot når det fjærer ut.
 - c) Ta kløyvekniven (10) opp i pilens retning utenfor klingedekselet (fig. 50-C).
 - d) Dra til rattet (43) (Fig.50-D).

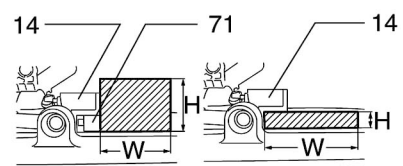
6. Monter og demonter de nederste anholdene (70) og (71).

De nederste anholdene skal være montert ved saging av arbeids-emner som er tykkere enn 20 mm. Fjern dem ved saging av tynne (< 20 mm) og brede (> 180 mm) arbeidsemner. De nederste anholdene har styrepinner (72) som gjør at de kommer i riktig posisjon ved montering.



Eksempel på kapping med og uten nedre anhold (71).

Arbeidsemnet (h x b)	Bruk/bruk ikke nedre anhold.
68 mm x 155 mm	Bruk nedre anhold.
20 mm x 210 mm	Bruk IKKE nedre anhold.



8.1 Arbeidsmoment for kapp- og gjæresag

1. Saging

Spenn arbeidsemnet fast mot anholdet og bordet. Start sagen og la den komme opp i turtall. Trykk forsiktig ned håndtaket og la sageklingen sage gjennom hele arbeidsstykket. Slipp strømbryteren og la sageklingen stoppe helt. Hold i håndtaket og før det sakte opp til øverste posisjon.

2. Gjæresaging (vri bordet i ønsket vinkel)

Se ”9.2 Innstilling av bordets vinkel”

3. Kapping skrått (saghodet vinkles i 0° til 45°)

- Løsne låserattet (20) og hell saghodet i ønsket vinkel. Se 9.3 ”Innstilling av klingens helling”. Husk å dra til låserattet når du har stilt inn ønsket vinkel. Spenn arbeidsemnet fast mot anholdet og bordet.
- Start sagen og la den komme opp i turtall. Trykk forsiktig ned håndtaket og la sageklingen sage gjennom hele arbeidsstykket.
- Slipp strømbryteren og la sageklingen stoppe helt. Hold i håndtaket og før det sakte opp til øverste posisjon.

Advarsel!

- Kontroller at saghodet går helt ned uten å ta i noe. Hold hendene unna ved saging.
- Ved kapping med vinkel kan en av delene helle mot sageklingen både under og etter sagingen. Hvis saghodet løftes opp før sageklingen har stoppet (etter gjennomført saging) kan deler av arbeidsemnet kastes i vei av den roterende klingens. Slipp strømbryteren og la sageklingen stoppe helt. Hold i håndtaket og før det sakte opp til øverste posisjon.
- Legg trykk på emnet i klingens retning under sagingen, hvis du trykker rett ned kan sagevinkelen forandres under sagingen og presisjonen blir ikke den samme.

4. Skrå gjæresaging (skråsaging og gjæring samtidig)

Vinkle saghodet og vri bordet. Sag så to vinkler samtidig.

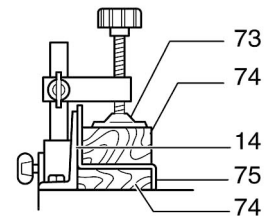
Følgende vinkler kan brukes: Skråsaging 0- 45°. Gjæresaging: Venstre og Høyre 0 - 45°.

5. Saging av aluminiumsprofiler

Bruk alltid en form for tremellomlegg (74) mellom tvinge/bord og aluminiumsprofil (75) ved sagingen, ellers kan emnet (75) bli ødelagt. Smør gjerne sageklingen med alkohol ved saging for å forhindre at materialet bygges opp på klingens tenner.

Obs!

- Prøv aldri å kappe tykke eller runde arbeidsstykker. De tykke kan løsne og de runde kan snurre fordi de er vanskelige å feste.
- Forsøk heller ikke å sage aluminium med bordet vendt som sirkelsag.



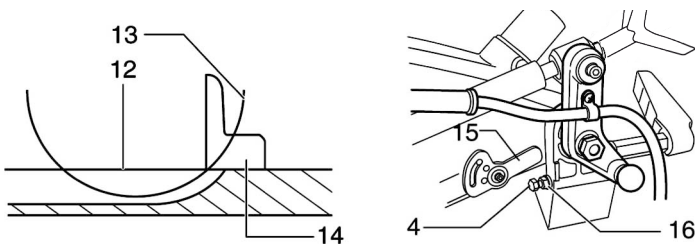
9. Innstillinger

9.1 Still inn kombinasjonssagen for maks. sagekapasitet.

Advarsel! Dra ut støpselet før service, vedlikehold og justeringer.

Kombinasjonssagen er innstilt på fabrikken for å gi maksimal kapasitet med sageklingen på Ø 250 mm, som følger med. Etter skifte av klinge må en foreta ny innstilling, og kontrollere og justere etter behov:

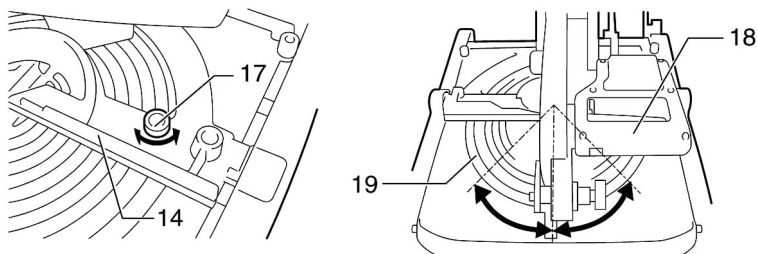
1. Still dybdestoppen (15) i posisjon slik at den går mot bolten (4). Trykk sperren (3) til siden og senk saghodet ned så langt det går.
2. Sageklingens tenner (13) skal akkurat nå gjennom bordets øvre overflate (12) der anholdet (14) starter. Juster hvis ikke klingens tenner er riktig justert.
3. Kontroller på denne måten: Skru løs låsemutteren (16) og juster bolten (4) slik at sageklingen ligger på riktig høydenivå. Dra deretter til låsemutteren (16) igjen.



4. Kontroller for hånd at klingens tenner går rundt og at den løper fritt.
5. Sagen kan brukes med eller uten aktivert dybdestopper (15):
 - Vri den motsols hvis du skal sage brede og tynne arbeidsemner.
 - Vri dybdeanholdet (15) tilbake motsols slik at det ligger an mot innstillingskruen (4) hvis du skal sage i tykke emner.

9.2 Innstilling av bordets vinkel (gjærsagning)

1. Vri låserattet (17) motsols. Vri bordet i ønsket vinkel. Bordet har kulesperre (faste posisjoner) ved de mest brukte vinklene. Innstilt vinkel vises på indekspilen.
2. Dra til låserattet (17) motsols for å låse bordet fast i innstilt vinkel.



9.3 Innstilling av klingens helling (kapping skjevt/i vinkel)

Husk å kontrollere at klingen kan løpe fritt etter hver justering. Vinkelen mellom sageklingen og anslaget må være eksakt 90°.

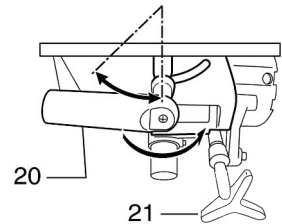
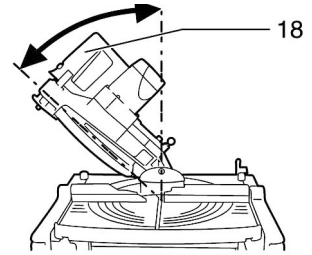
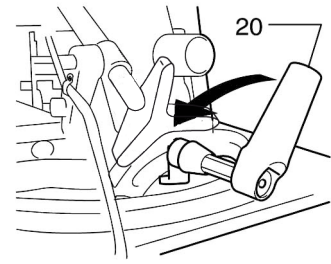
Kapp- og gjæringssag

1. Vri låserattet (20) motsols. Vri saghodet til høyre i ønsket vinkel (se skalaen).
2. Dra til låserattet (20) medsols for å låse bordet fast i innstilt vinkel.

Obs! Påse at håndtaket (18) er i sitt øverste leie før klingens vinkles. Husk å dra til låserattet (20) etter innstilling av vinkel.

Bordsirkelsag

1. Vri låserattet (20) motsols. Vri saghodet til venstre i ønsket vinkel (se skalaen).
2. Dra til låserattet (20) medsols for å låse bordet fast i innstilt vinkel.



21

9.4 Justere sagedybden

Juster sagedybden når kombinasjonssagen brukes som bordsirkelsag (motoren under bordet): Vri innstillingsrattet (21) motsols for å heve klingens og medsols for å senke den.

Advarsel! Juster klingens slik at den ikke stikker for langt opp over bordet når tynne materialer kappes. Sageklingen skal gå gjennom materialet og litt til.

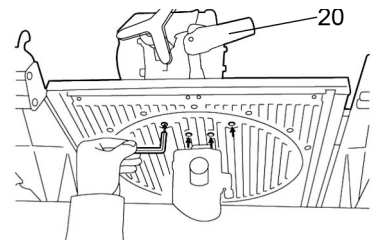
Obs! Sperren (28) kan ikke forandres når saghodet er under bordet.

9.5 Juster kappvinklene

Kombinasjonssagen er nøye innstilt fra fabrikken, men kontroll/innstilling/etterjustering av vinkler skal utføres ved behov. (Kombinasjonssagen skal være i kapp- og gjæringsposisjon)

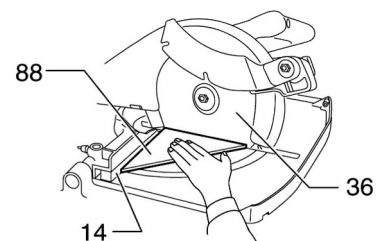
Justere gjæringsvinkelen:

1. De fire justeringsskruene er på undersiden av bordet. Løsne den.
2. Senk saghodet så langt det går og lås det fast med sperren (28).
3. Legg en vinkelhake på bordet. Hold den mot anholdet og sageklingen.
4. Vri bordet til "0" kommer eksakt ved indekspilen på bordet.
5. Dra til skruene.



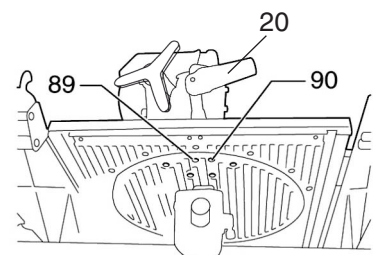
Justere hellningsvinkelen til 0°:

1. Senk saghodet så langt det går og lås det fast med sperren (28).
2. Løsne på låserattet (20) på baksiden.
3. Løsne på justeringsbolten (89) 2 – 3 omdreininger motsols.
4. Vri tilbake justeringsbolten (89) medsols til en rettvinkel.
5. Juster indekspilens posisjon ved behov, slik at den står på "0"



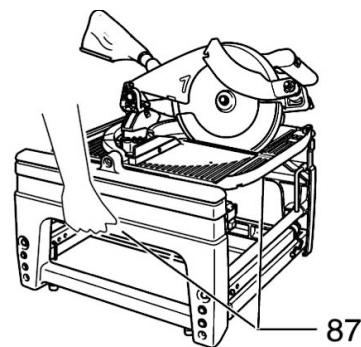
Justere hellningsvinkelen til 45°:

1. Juster først hellningsvinkelen til 0°.
2. Bøy saghodet så langt det går mot venstre.
3. Vri på justeringsbolten (90) til pilen står på "45°"



10. Transport av kombinasjonssagen

- Påse at støpselet er dratt ut før du flytter på sagen.
- Sagen skal være innstilt for kapp- og gjæring. Still bordets vinkel på 0° og saghodets vinkel på 0°. Senk saghodet til den laveste posisjonen og lås det med sperren (28).
- Bær sagen som vist på bildet.



Advarsel!

- Sjekk at alle bevegelige deler sitter fast før du løfter sagen. Fjern ev. løst tilbehør.
- Sagen skal være innstilt for kapp- og gjæring ved bæring.
- Den underste beskyttelsen (8) må være montert ved flytting/transport.

11. Lagring av kombinasjonssagen

Advarsel!

- Sagen skal lagres slik at ikke uvedkommende kan starte den eller på annen måte skade seg på den. Aktiver nødstoppen og påse at stikkkontakten er dratt ut.
- Oppbevar sagen innendørs i tørt miljø. Beskytt den mot regn og fuktighet.

12. Vedlikehold

Kontroller dette før bruk:

- At ledning og støpsel er uten skader, at beskyttelsene er hele og fungerer som planlagt, at klingens løper fritt og at klyveknivens avstand til klingens er 5 – 6 mm.
- At sagesklingen ikke er sprukket, at alle hardmetallskjær er på plass og at den ikke er skjev.
- Fjern spon og kapp fra sagen (og gulvet) med støvsuger eller sponsuger.
- Smør styringer og gjengede spindler.
- Etter hver 300 timers bruk må følgende sjekkes:
- At skruer og mutre sitter fast. Dra til ved behov.
- Kontroller at returfjærene fungerer. Dra saghodet opp i øvre leie og bytt ut ved behov.
- Kontroller alle stoppskruer og innstillinger av vinkler etc.

13. Reparasjon

Advarsel!

Kombinasjonssagen skal repareres av kvalifiserte personer og med originaldeler.



14. Avfallshåndtering

Sorter avfallet og la det gå til gjenvinning istedenfor å kaste det. Alle maskiner, slanger og all emballasje skal sorteres og håndteres i henhold til lokale miljøforskrifter.

15. Feilsøking

Kontroller alle sikkerhetsanordninger etter reparasjon.

- **Motoren går ikke.**
Kontroller ledning, kontakt og sikringer.
Nullspenningsutløseren har kanskje blitt løst ut. Prøv å start opp igjen!
- **Sageklingen har festet seg i noe og derfor har sikringen gått.**
Trykk inn nødstoppen og dra ut støpselet. Fjern det som har satt seg fast i klingen.
Skift sikring og start deretter som vanlig.
- **Dårlig kapasitet.**
Sløv klinge. Skift den eller lever den til sliping hos en fagperson.

16. Teknisk spesifisering

Spenning:	230 V AC, 50 Hz
Effekt:	1800 W
Turtall, ubelastet:	4200 o/min.
Sageklinge:	Ø 250 x 30 x 2, 8 mm
Størrelse på bord:	545 x 505 mm
Vekt:	35 kg
Helling på sageklingen:	0° til 45°
Gjæresaging:	+ 45° til - 45° (i kapp og gjæringsposisjon)

Mål:

Sammenslått:	710 x 680 x 610 mm
Utslått:	710 x 680 x 1 000 mm
Maks. sagedybde:	70 mm (som bordsirkelsag)
	65 mm (som kapp og gjærings-sag)

Yhdistelmäsaaha

ART.NO: 18-3068 MODEL: 92502-UK
30-9869 92502

Lue käyttöohjeet ennen tuotteen käyttöönottoa. Säilytä käyttöohjeet tulevaa tarvetta varten. Pidätämme oikeuden teknisten tietojen muutoksiin. Emme vastaa mahdollisista teksti- tai kuvavirheistä. Jos laitteeseen tulee teknisiä ongelmia, ota yhteys myymälään tai asiakaspalveluun (yhteystiedot käyttöohjeen lopussa).



Tärkeitä turvallisuusohjeita. Lue koko käyttöohje huolellisesti ennen laitteen käyttöä.

1. Turvallisuus

Varoitus! Noudata tavanomaisia turvallisuutta lisääviä toimenpiteitä käyttäessäsi tätä laitetta. Näin vähennät tulipalon, sähköiskujen ja henkilövahinkojen vaaraa. Lue kaikki ohjeet, ennen kuin alat käyttää tuotetta ja säästä nämä ohjeet.

1. Pidä työtilat siisteinä. Täynnä tavaraa olevat työtasot lisäävät huomattavasti onnettomuusriskiä.
2. Ota huomioon työympäristösi. Älä altista työkonetta sateelle. Älä käytä työkonetta kosteissa tai märissä tiloissa. Pidä työskentelyalue hyvin valaistuna. Älä käytä konetta jos läheisyydessä on helposti syttyviä kaasuja tai nesteitä.
3. Vältä sähköiskuja! Vältä koskettamasta maadoitettuja esineitä, kuten putkia, lämpöpattereita, hellaa tai jääkaappia.
4. Pidä vierailijat poissa työskentelyalueelta. Älä anna henkilöiden, jotka eivät osallistu työhön, etenkin lasten, oleilla koneen tai sen sähköjohdon läheisyydessä. Pidä vierailijat riittävän kaukana työpisteestä.
5. Säilytä konetta turvallisessa paikassa Kun konetta ei käytetä, säilytä se kuivassa tilassa lasten ulottumattomissa.
6. Älä ylikuormita konetta. Anna koneen työskennellä puolestasi oikealla syöttönopeudella.
7. • Käytä oikeaa konetta. Pienkonetta ei saa pakottaa työstöihin, jotka vaativat voimakasta konetta.
• Älä pakota konetta tai lisäosaa tehtävään, johon sitä ei ole tarkoitettu. Esim. pyörösahan käyttö puunkaatoon tai oksien katkontaan on kiellettyä.
8. • Käytä tarkoituksenmukaisia vaatteita. Älä käytä löysiä vaatteita tai koruja, jotka saattavat juuttua liikkuviin osiin.
• Käytä liukuestekenkiä ulkotöissä. Pitkät hiukset tulee suojata hiusverkolla tai vastaavalla.
9. Käytä aina suojalaseja. Käytä suojalaseja. Käytä myös hengityssuojainta ja suojanaamaria pölyävissä töissä.
10. Käytä pölynpoistolaitteita. Jos laitteessa on pölynpoistovalmius, tarkasta, että se on asianmukaisesti liitetty ja käytössä.
11. Käsittele sähköjohtoa varoen. Kun irrotat pistokkeen, vedä pistokkeesta, älä johdosta. Johtoa ei saa altistaa kuumuudelle, öljylle tai teräville esineille.
12. Kiinnitä materiaali kunnolla. Jos mahdollista, käytä ruuvipuristimia tai ruuvipenkkiä työkappaleen kiinnitykseen. Tämä on turvallisempaa kuin työkappaleesta kiinni pitäminen toisella kädellä.
13. Älä kurota liian kauas. Varmista, että työasentosi on tasapainoinen työn jokaisessa vaiheessa.
14. Pidä kone kunnossa. Varmista työvälineiden puhtaus ja terien terävyys. Näin työskentely on turvallisempaa ja tehokkaampaa sekä lopputulos parempi. Noudata voiteluohjeita ja varusteiden vaihtamisesta annettuja ohjeita. Tarkista virtajohdon kunto säännöllisesti. Anna sähkömiehen vaihtaa vioittunut virtajohto. Tarkista johdot säännöllisesti ja varmista että ne ovat kunnossa. Varmista, että koneen kahvat, säätimet ym. ovat puhtaita, ja että niissä ei ole öljyä ym.

15. Katkaise virta. Irrota pistoke ja paina hätäkatkaisinta ennen huoltoa ja laitteiden vaihtoa, esim. höylän terien, poranterien, hiomanauhojen ja terien vaihtoa.
16. Poista kaikki avaimet ja työkalut. Ota tavaksesi poistaa ne koneesta ennen virran kytkemistä.
17. Vältä tahatonta käynnistystä. Koneita kannettaessa sormi ei saa olla virtakytkimellä/liipaisimella johdon ollessa seinässä. Kun pistoke liitetään pistorasiaan, tulee virtakytkimen olla OFF-asennossa.
18. Käytä oikeita jatkojohtoja. Käytä ulkona ainoastaan ulkokäyttöön tarkoitettuja jatkojohtoja. Jatkojohdon johtimen pinta-alan tulee olla riittävä. Kierrä koko johto auki.
19. Käytä tervettä järkeä ja ole varovainen. Suunnittele työvaiheet etukäteen, niin työ sujuu turvallisemmin! Älä käytä konetta väsyneenä, lääkkeiden vaikutuksen alaisena jne.
20. Varmista ennen koneen käynnistämistä, että:
 - Kaikki suojat ja muut osat ovat ehjiä ja toimivat moitteetta.
 - Kaikki liikkuvat osat liikkuvat vapaasti ja että ne on suunnattu oikein.
 - Liikkuvat osat eivät pääse juuttumaan.
 - Muita vikoja ei ole ilmennyt.
 - Ei ole ilmennyt muita seikkoja, jotka saattavat häiritä työskentelyä.
 - Ainoastaan ammattilainen saa vaihtaa tai korjata vioittuneet suojat ja muut osat. Johdot ja virtakytkimet tulee vaihdattaa valmistajalla tai sen määräämässä huoltopisteessä. Älä käytä konetta, mikäli et voi käynnistää ja sammuttaa sitä turvallisesti.
21. Käytä vain suositeltuja lisälaitteita. Muiden kuin suositeltujen lisälaitteiden käyttö saattaa johtaa onnettomuuksiin tai henkilövahinkoihin.
22. Korjauksen saa suorittaa ainoastaan ammattihenkilö. Kone on voimassa olevien turvallisuusvaatimusten mukainen. Koneen saa korjata vain ammattilainen. Korjauksessa tulee turvallisuusyistä käyttää ainoastaan alkuperäisosa. Muuten kone voi aiheuttaa onnettomuuksia ja henkilövahinkoja.

1.2. Yhdistelmäsaahan turvallisuusohjeita:

Varoitus! Irrota pistoke seinästä ennen huoltoa tai terän vaihtoa.

Huom.:

- Puun työstäminen voi olla vaarallista jos turvallisuusohjeita ei noudateta.
 - Jos käytät sahaa huolellisesti ja varovaisesti, loukkaantumisvaara pienenee huomattavasti.
 - Turvallisuusvälineet, kuten suojat, työntimet, puristimet, suojalasit, hengityssuojat ja kuulosuojaimet eivät korvaa huonoa arviointikykyä, välinpitämättömyyttä tai huolimattomuutta.
 - Muista: Käyttäjä vastaa itse omasta turvallisuudestaan. Saha on tarkoitettu tiettyihin työtehtäviin. Suosittelemme, että laitetta ei muuteta, ja että sitä ei käytetä muihin käyttötarkoituksiin, kuin mihin se on suunniteltu.
 - **ÄLÄ KÄYTÄ SAHAA**, mikäli et ole varma, soveltuuko se suunnittelemaasi työtehtävään!
- Varmista, että kaikki osat toimivat moitteettomasti ja että kaikki turvalaitteet ja suojat ovat kunnossa ennen sahan käynnistämistä!
1. **Varoitus!** Käytä ainoastaan katkaisuteriä. Varmista, että kovametalliterissä on negatiivinen hammastus. Älä käytä teriä, joiden hampaiden välit ovat syviä, sillä ne saattavat taipua ja joutua kosketuksiin teräsuojuksen kanssa. Viallinen terä tulee vaihtaa välittömästi!
 2. Älä käytä sahaa ennen kuin se on täysin koottu käyttöohjeiden mukaisesti. Varmista moottorin ja terän pyörimissuunta (katso teräsuojuksen pyörimissuunnan osoittavaa nuolta). Varmista, ettei terä kosketa pyörimispöytää missään asennossa. Irrota pistoke ja kallista terää manuaalisesti 45:n ja 90:n asteen kulmiin. Säädä teräosaa tarvittaessa.
 3. Kysy neuvoa joltain osaavalta henkilöltä, jos olet epävarma sahan käytöstä.
 4. Älä sahaa vapaalla kädellä. Kiinnitä sahattava materiaali kunnolla ennen sahauksen aloittamista! Jos sahattava materiaali vaatii, että kätesi on oltava lähempänä materiaalia kuin 10 cm, tulee materiaali kiinnittää puristimilla tms. ennen sahausta.

5. **Varoitus!** Älä laita käsiä terän lähelle. Älä sahaa pieniä paloja. Käytä työnnintä!
6. Varmista, että terä on keskitetty oikein, että se on terävä ja että se pyörii vapaasti ilman tärinää.
7. Anna moottorin kiihtyä täysille kierroksille ennen sahauksen aloittamista.
8. Pidä laitteen tuuletusaukot puhtaina ja varmista ettei niissä ole purua.
9. Varmista että kaikki puristimet ovat kunnolla kiinni, ennen kuin aloitat sahauksen.
10. Varmista, että terä ja laipat ovat puhtaat ja että akselin mutteri on kiristetty. Käytä ainoastaan juuri sinun sahaasi sopivia laippoja.
12. Käytettävän terän halkaisijan ja kierrosnopeuden tulee olla samat kuin käyttöohjeen teknisissä tiedoissa.
13. Käytä lisätukea kun sahaat pitkää materiaalia.
14. Varmista ennen sahausta, että terä ei ole murtunut tai vahingoittunut. Vahingoittunut terä tulee vaihtaa välittömästi.
15. Älä käytä sahaa jos siitä puuttuu osia, tai jos ne ovat vioittuneita tai muuten viallisia. Irrota pistoke, mikäli sahasta kuuluu outoja ääniä tai mikäli se alkaa täriseään. Puuttuvan tai viallisen komponentin vaihtaminen tulee jättää ammattimiehelle.
16. Älä käytä sahaa, mikäli suojat eivät ole paikoillaan tai mikäli ne eivät toimi moitteettomasti!
17. Älä koskaan kurotu terän yli tai taakse sen pyöriessä. Seiso tukevasti ja tasapainoisesti.
18. Varmista, että terä pääsee pyörimään vapaasti (erityisesti kuljetuksen ja/tai terän vaihdon jälkeen) ennen pistokkeen liittämistä pistorasiaan ja sahan käynnistämistä.
19. Älä lukitse virtakytkintä ON-asentoon.
21. **Tärkeää!** Kun olet leikannut materiaalin kokonaan: Päästä virtakytkin ja odota että terä on lakannut pyörimästä ennen kuin nostat teräosaa.
22. Päästä virtakytkin ja odota että terä on pysähtynyt ennen kuin siirrä materiaalia tai muutat säätöjä.
23. Älä poista jumittuneita tai sahautuneita paloja ennen kuin terä on pysähtynyt.
24. Älä sahaa rautapitoisia metalleja, tiiliä tai laastia.
25. Älä käytä sahaa jos läheisyydessä on helposti syttyviä kaasuja tai nesteitä.
26. Älä puhdistu muoviosia liuotinaineilla. Liuotinaineet voivat syövyttää muovia tai vahingoittaa materiaalia muilla tavoin. Käytä pesemiseen ainoastaan pehmeää, kostutettua liinaa.
27. Irrota pistoke ja puhdistu saha käytön jälkeen. Huolehdi, että työtaso on siivottu kun lopetat työt.
28. Säädä tämä käyttöohje. Lueskele sitä usein ja neuvo myös muita. Huolehdi siitä, että kaikki sahan käyttäjät ovat lukeneet nämä käyttöohjeet.
29. Älä altista sahaa sateelle äläkä käytä sitä kosteassa ympäristössä.
30. Huolehdi työtilojen riittävästä valaistuksesta.
31. Käytä asianmukaisia työvaatteita. Löysät vaatteet tai korut saattavat juuttua liikkuviin osiin.
32. Käyttäjän tulee olla täyttänyt 18 vuotta. 16 vuotta täyttäneiden tulee käyttää sahaa valvojan opastuksella. Älä päästä lapsia sahan läheisyyteen sen ollessa liitettynä pistorasiaan.
33. Pidä työtilat siisteinä ja poista turhat sahauskappaleet ja roskat. Poista sahauskappaleet terän läheisyydestä, jotta ne eivät sinkoudu terään osuessaan.
34. Älä häiritse sahan käyttäjää.
35. Älä pysäytä terää painamalla sitä jollain esineellä kun olet sammuttanut sahan, mutta terä vielä liikkuu.
36. Käytä ainoastaan tässä käyttöohjeessa ilmoitettuja sahanterisiä.
37. Muista varmistaa, että terää suojaavat suojuukset toimivat moitteettomasti.
38. Älä lukitse suojusta auki-tilaan äläkä pura koneen suojuksia tai muuta niiden toimintoja. Älä käytä viallisia tai puutteellisia suojalaitteita, vaan vaihda ne välittömästi!
39. Pidä käsiäsi niin, että ne eivät osu terään, mikäli menetät tasapainosi. Älä sahaa puukappaleita, mikäli ne ovat niin pieniä, ettei niistä pysty pitämään kiinni turvallisesti.

40. Käytä pöytää, rullatukea tms. kun työskentelet pitkän puutavaran kanssa, muuten vaarana on sahan kaatuminen.
41. Kiinnitä pyöreät puukappaleet sopivilla puristimilla jotta ne eivät lähde pyörimään.
42. Sahattavassa puutavarassa ei saa olla nauvoja tai muita vieraita esineitä.
43. Seiso aina terän sivulla sahatessasi, jotta terä ei osu sinuun, mikäli se hajoaa.
44. Paina sahattava puukappale kiinni pöytään ja suojukseen, jotta se ei pääse liikkumaan sahauksen aikana.
45. Älä sahaa useita kappaleita samanaikaisesti.
46. Älä yritä poistaa puruja, lastuja tai muita juuttuneita kappaleita terän pyöriessä. Sammuta saha ja irrota pistoke aina ennen koneen säätämistä ja juuttuneiden osien poistamista.
47. Sammuta saha ja irrota pistoke aina ennen koneen säätämistä, puhdistamista tai työkappaleen mittausta.
48. Sammuta moottori ja irrota pistoke ennen kun poistut sahan luota.
49. Sähköasennukset, korjaukset ja huolto tulee jättää ammattilaiselle.
50. Kaikki suojat ja turvalaitteet tulee kiinnittää takaisin välittömästi korjauksen tai huollon jälkeen.
51. Valmistajan turvallisuus-, käyttö- ja huolto-ohjeita tulee noudattaa. Noudata myöskin ”Teknisissä tiedoissa” mainittuja sahauskappaleiden suurimpia mittoja.
52. Viranomaisten sääntöjen ja muiden yleisten turvallisuussääntöjen noudattaminen on erittäin tärkeää.
53. Käytä suljetussa huoneessa alipaineen välttämiseksi aina pölynpoistoa, mikäli huoneessa on poistoilmaliitäntä.
54. Liitä saha 230V:n pistorasiaan, sulakkeen tulee olla vähintään 10 A hidas.
55. Viallisten turvalaitteiden ja osien korjaaminen tulee jättää valtuutetulle huoltoliikkeelle.
56. Tämä saha on kaikkien olennaisten turvamääräysten mukainen. Laite tulee korjata valtuutetussa huoltoliikkeessä. Sahan saa korjata vain ammattilainen ja korjauksessa tulee käyttää alkuperäisosia. Näiden ohjeiden noudattamatta jättäminen saattaa johtaa onnettomuuksiin ja aiheuttaa vaaraa käyttäjälle.
57. Älä käytä sahanteriä, jotka ovat ohuempia tai paksumpia kuin rakoveitsi (koskee pyörösahaa).
58. Käytä halkaisussa rakoveistä.
59. Varmista, että rakoveitsi on säädetty siten, että sahanterän hampaiden ja rakoveitsen etäisyys on 5 - 6 mm.
60. Rakoveitsen säteen tulee vastata sahanterän halkaisijaa.
61. Älä käytä pikaterästeriä (HSS), mikäli laitteen mukana tulee kovametalliterä.

2. Tuotteen merkinnät ja turvallisuussymbolit

Näiden ohjeiden noudattamatta jättäminen saattaa johtaa onnettomuuteen tai laitteen vioittumiseen.



Käytä aina hengityssuojaa ja suojalaseja.

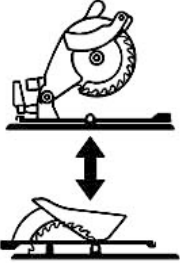
Käytä aina kuulosuojaimia.



Kun sahauskohta on sahattu loppuun asti, pidä sahapäätä alhaalla kunnes sahanterä on pysähtynyt kokonaan. Näin vältät riskin loukkaantua lentävästä purusta tai terävistä tikuista.



Irrota virtajohdon pistoke ennen pöydän kääntämistä työtapaa muutettaessa.



Huomaa, että teräpultissa on vasemmanpuoleinen kierre.



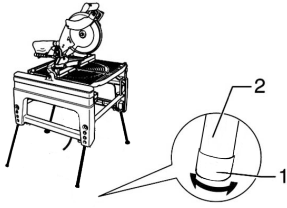
Puhdista pöytä jäännöspaloista, sahanpurusta jne. ennen yhdistelmäsaahan käyttämistä.



Jos joudut kantamaan yhdistelmäsaaha, mieti tarkkaan mistä kohtaa otat siitä käsillä kiinni.

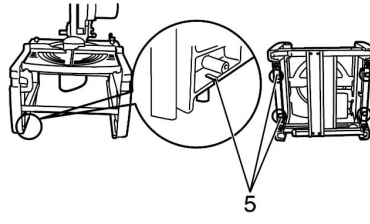
3. Kuvaus

①



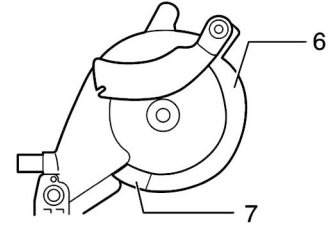
1. Säätö
2. Jalka

②



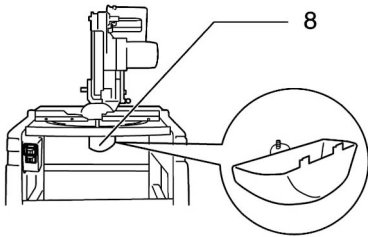
5. U:n muotoiset kiinnikkeet

③



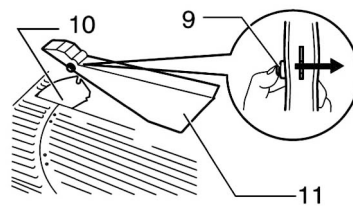
6. Liikkuva teräsuoja
7. Kiinteä teräsuoja

④



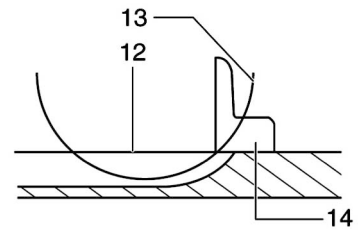
9. Alempi teräsuoja (vain katkaisu- ja jiiritoimintoja käytettäessä)

⑤



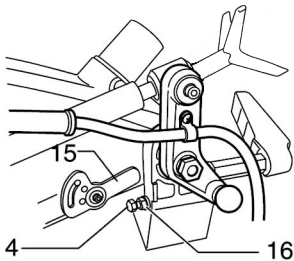
9. Ylemmän teräsuojan lukitus
10. Terä (Rakoveitsi)
11. Ylempi teräsuoja (käytetään ainoastaan silloin, kun pöytä on pyörösaahakäytössä)

⑥



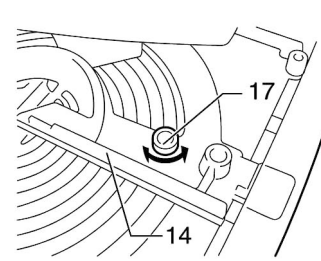
12. Pöydän ylempi pinta
13. Terän ulkohalkaisija
14. Tuki

⑦



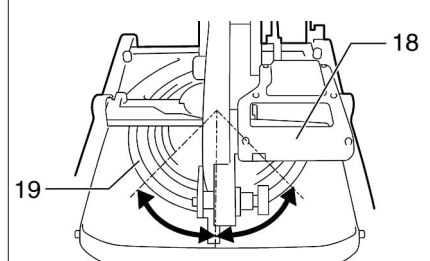
4. Pultti
15. Syvyydenrajoitin
16. Lukkomutteri

⑧



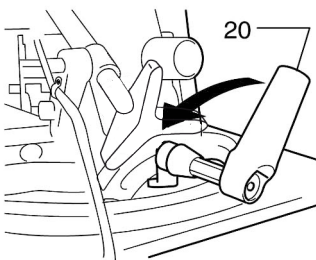
14. Tuki
17. Lukituskahva

⑨



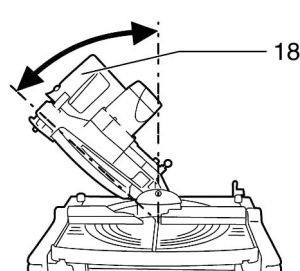
18. Kahva
19. Käännettävä pöytä

⑩



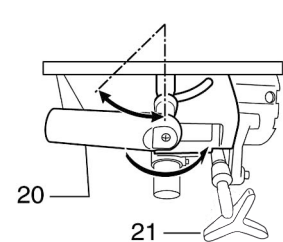
20. Lukituskahva

⑪

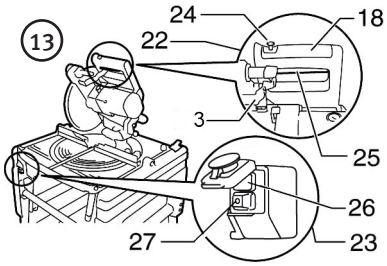


18. Kahva

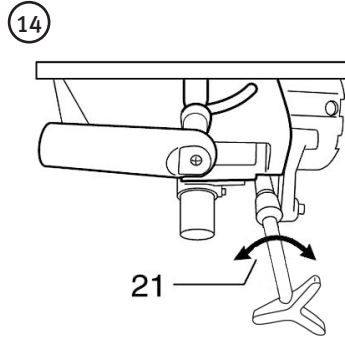
⑫



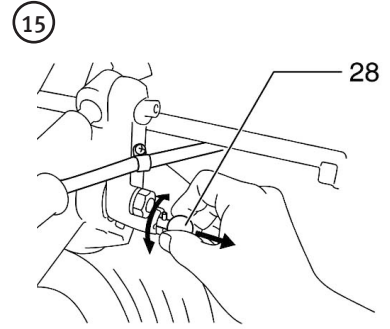
20. Lukituskahva
21. Sahaussyvyyden säätönuppi



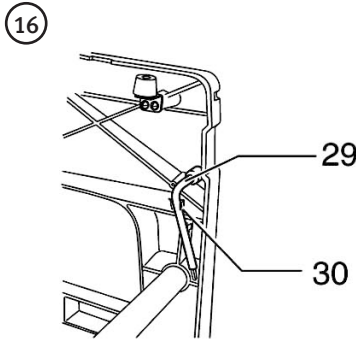
3. Lukitus
18. Kahva
22. Virtakytkin (katkaisu- ja jirittäjä)
23. Virtakytkin/hätäkatkaisija (pyörösahatila)
24. Varmistin
25. Kahvan virtakytkin (käytetään katkaisu- ja jirittäjässä)
26. Virtakytkin (vihreä) ON-PÄÄLLÄ (käytetään pyörösahatilassa)
27. Virtakytkin (punainen) OFF-POIS PÄÄLTÄ (kannessa hätäseis)



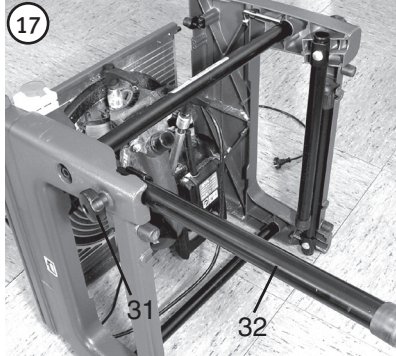
21. Sahaussyvyyden säätönoppi



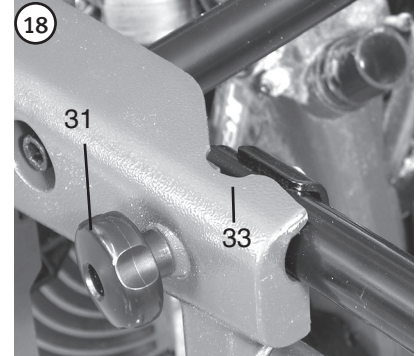
28. Sahaosan lukitus



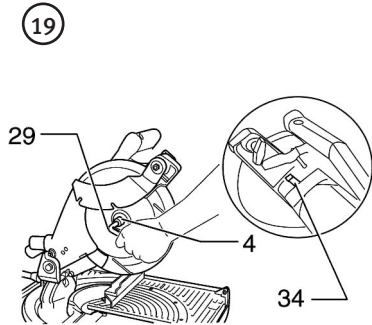
29. Sahanterän avain 13 mm
30. Avaimen pidike



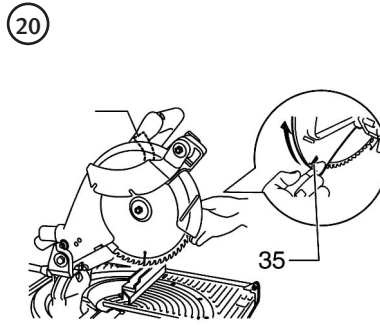
31. Jalan lukitusnoppi
32. Jalka



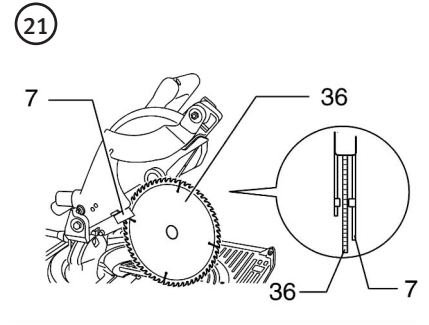
31. Jalan lukitusnoppi
33. Paikka jalalle



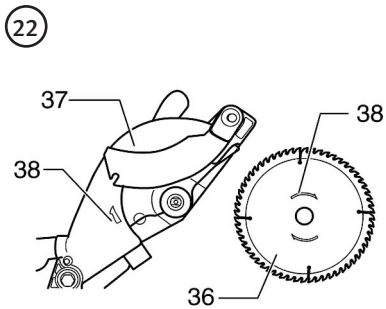
20. Lukituskahva
4. Pultti
34. Spindel-lukitus



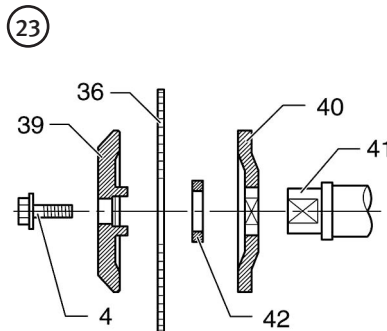
35. Nostokieleke



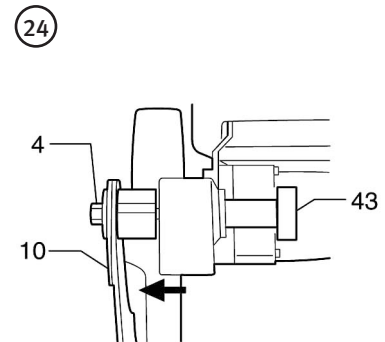
7. Kiinteä teräsuoja
36. Sahanterä



36. Sahanterä
37. Teräkotelö
38. Pyörimissuuntaa osoittava nuoli

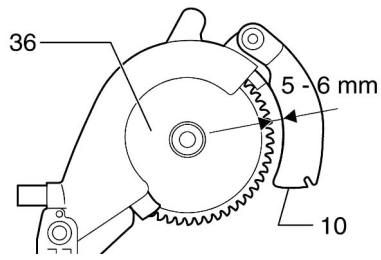


4. Pultti
36. Sahanterä
39. Ulompi laippa
40. Sisempi laippa
41. Kara
42. Levy



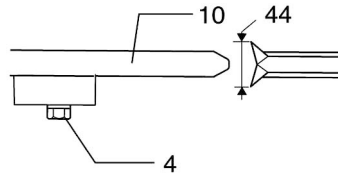
4. Pultti
10. Terä (Rakoveitsi)
43. Rakoveitsen lukituskahva

25



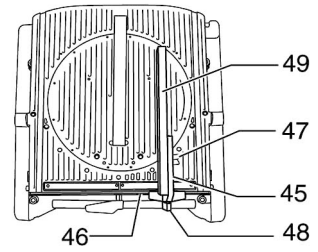
- 10. Terä (Rakoveitsi)
- 36. Sahanterä

26



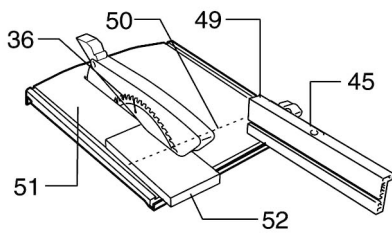
- 4. Pultti
- 10. Terä (Rakoveitsi)
- 44. Sahanterän leveys

27



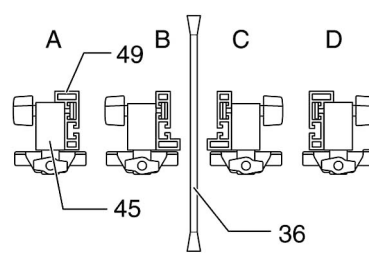
- 45. Halkaisuohjaimen pidike
- 46. Halkaisuohjaimen kisko
- 47. Kiskon lukituskahva
- 48. Halkaisuohjaimen lukituskahva
- 49. Halkaisuohjaimen kisko

28



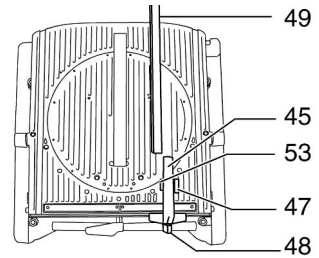
- 36. Sahanterä
- 45. Halkaisuohjaimen pidike
- 49. Halkaisuohjaimen kisko
- 50. Linja, jota vasten asettaa
- 51. Pyörösahan pöytä
- 52. Työkappale

29



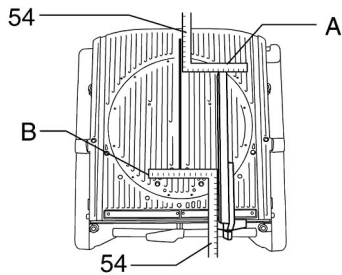
- 36. Sahanterä
- 45. Halkaisuohjaimen pidike
- 49. Halkaisuohjaimen kisko

30



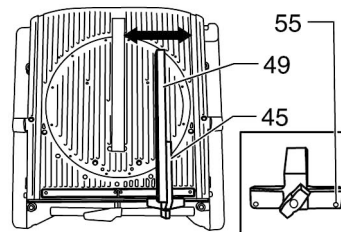
- 45. Halkaisuohjaimen pidike
- 47. Kiskon lukituskahva
- 48. Halkaisuohjaimen lukituskahva
- 49. Halkaisuohjaimen kisko
- 53. Mutteri

31



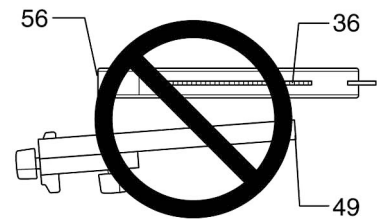
- 54. Suorakulma (ei sisälly).

32



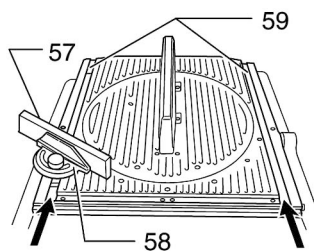
- 45. Halkaisuohjaimen pidike
- 49. Halkaisuohjaimen kisko
- 55. Säätöruuvi

33



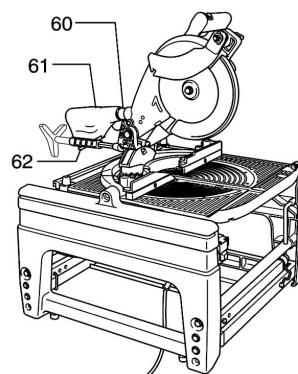
- 36. Sahanterä
- 49. Halkaisuohjaimen kisko
- 56. Ylempi teräsuoja

34



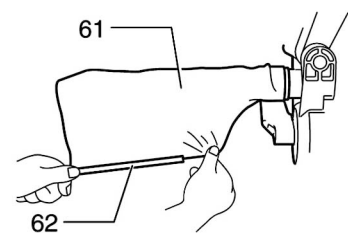
- 57. Jiiriviivaimen kisko
- 58. Jiiriviivain
- 59. Jiiriviivaimen ura

35



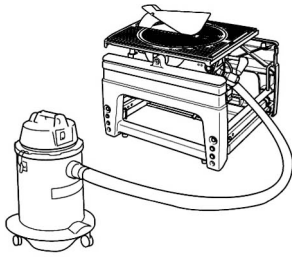
- 60. Pölypussin/poistoimun liitäntä
- 61. Pölypussi
- 62. Vetoketju

36

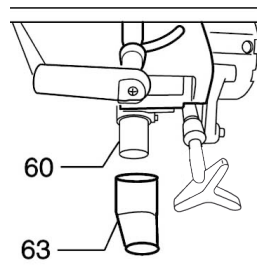


- 61. Pölypussi
- 62. Vetoketju

37

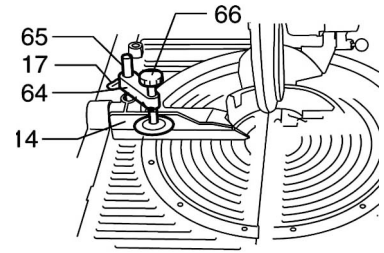


38



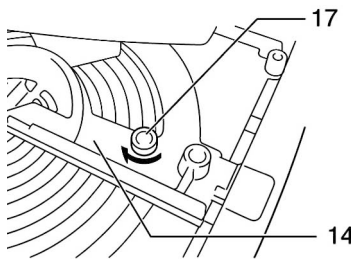
60. Pölypussin/poistoimun liitäntä
63. Pölypussin/poistoimun kulmaliitäntä

39



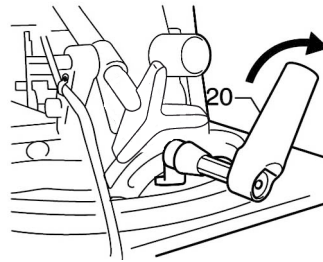
14. Tuki
17. Lukituskahva
64. Puristinvarsi
65. Puristintanko
66. Puristinvipu

40



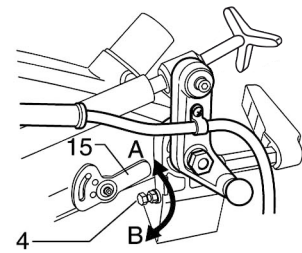
14. Tuki
17. Lukituskahva

41



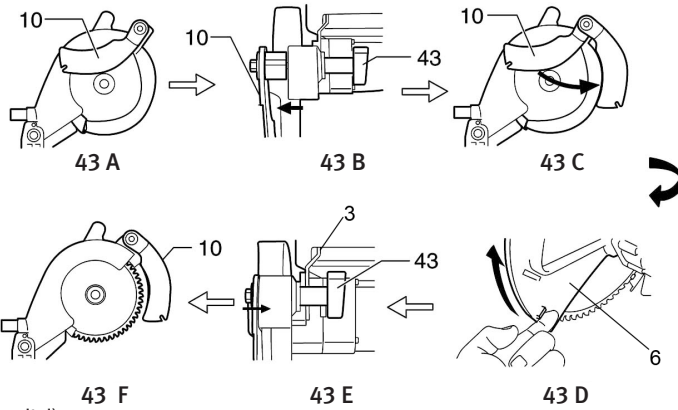
20. Lukituskahva

42



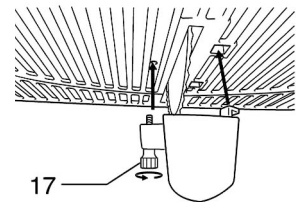
4. Pultti
15. Syvyydenrajoitin

43



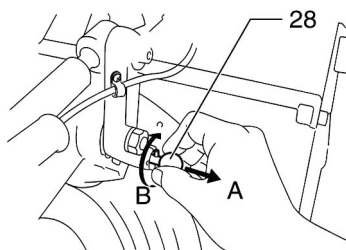
10. Terä (Rakoveitsi)
43. Rakoveitsen lukituskahva

44



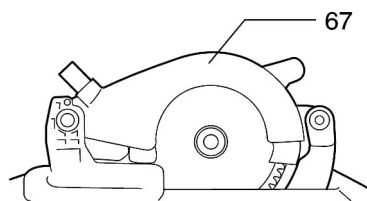
17. Lukituskahva

45



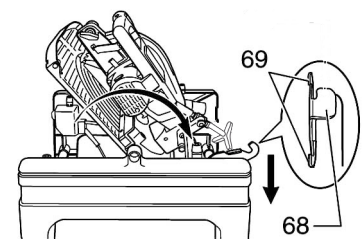
28. Sahaosan lukitus

46



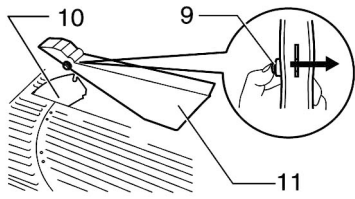
67. Teräkotelo

47



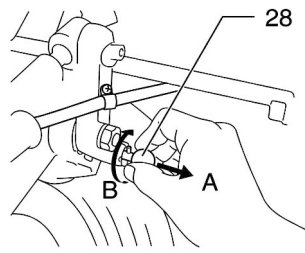
8. Alempi teräsuoja (käytetään ainoastaan katkaisu- ja jiiritilassa)
69. Hakaset

48



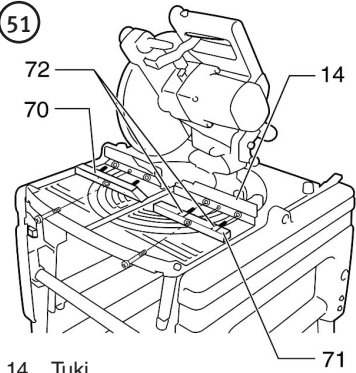
- 9. Ylemmän teräsuojan lukitus
- 10. Terä (Rakoveitsi)
- 11. Ylempi teräsuoja (käytetään ainoastaan silloin, kun pöytä on pyörösahatilassa)

49



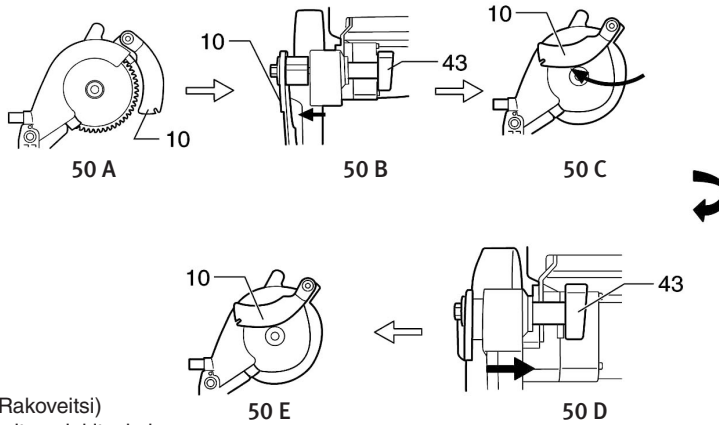
28. Sahaosan lukitus

51



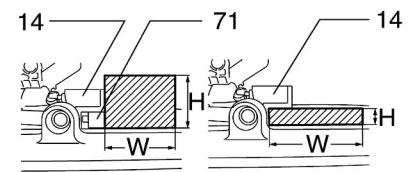
- 14. Tuki
- 70. Alempi suoja, vasen
- 71. Alempi suoja, oikea
- 72. Ohjausnupit

50



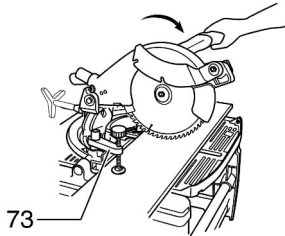
- 10. Terä (Rakoveitsi)
- 43. Rakoveitsen lukituskahva

52



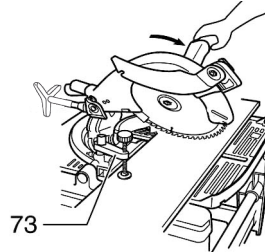
- 14. Tuki
- 71. Alempi suoja, oikea

53



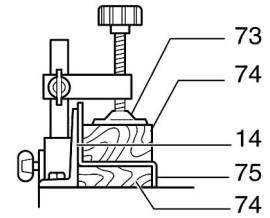
73. Puristin

54



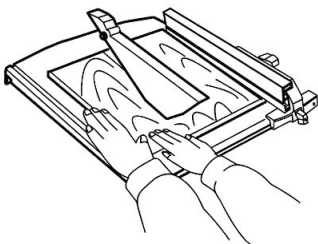
73. Puristin

55

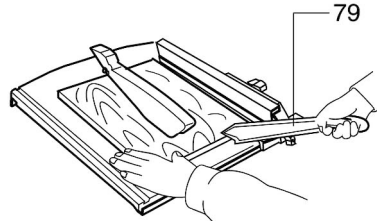


- 14. Tuki
- 73. Puristin
- 74. Puinen välikappale
- 75. Alumiiniprofiili (työkappale)

56

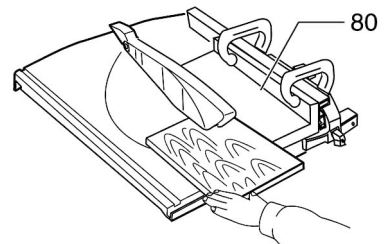


57



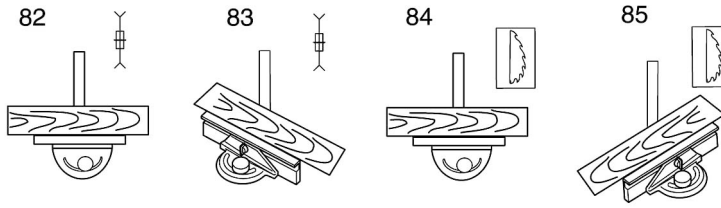
79. Työnnin

58



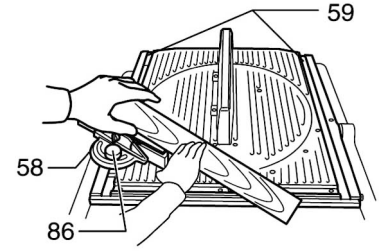
80. Oma suoja (ei sisälly)

59



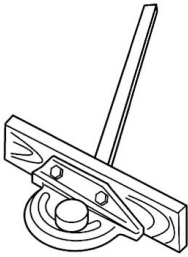
- 82. Leikkaaminen suorassa kulmassa
- 83. Viistokulma
- 84. Leikkaaminen kulmassa
- 85. Leikkaaminen kulmassa ja viistokulmassa

60

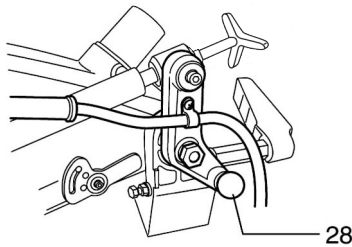


- 58. Jiiriviivin
- 59. Jiiriviivaimen ura
- 86. Lukitusnuppi

61

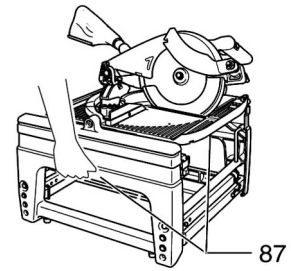


62



- 28. Sahaosan lukitus

63



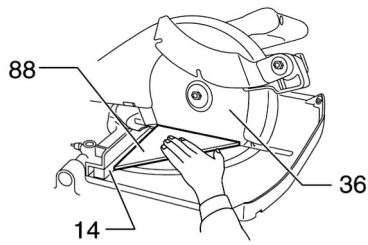
- 87. Sopiva paikka pitää käsiä sahaa siirrettäessä

64



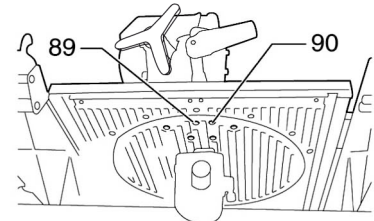
- 20. Lukituskahva

65



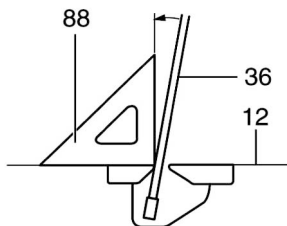
- 14. Tuki
- 36. Sahanterä
- 88. Suorakulma (ei sisälly)

66



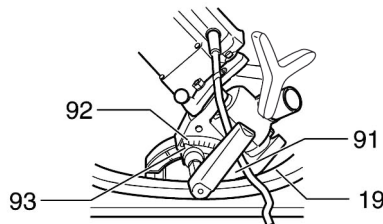
- 89. Säättöruuvi (0°)
- 90. Säättöruuvi (45°)

67



- 12. Pöydän ylempi pinta
- 36. Sahanterä
- 88. Suorakulma (ei sisälly).

68



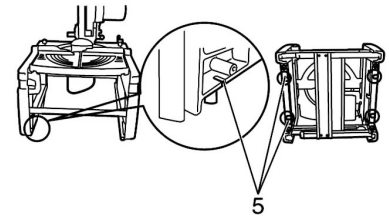
- 19. Käännettävä pöytä
- 91. Lukituskahva
- 92. Kallistusasteikko
- 93. Osoitinmerkki

Pöytäpyörösaha: (moottori pöydän alla) Katkaisu- ja jiirisaha: (moottori pöydän päällä)

4. Ennen käyttöä

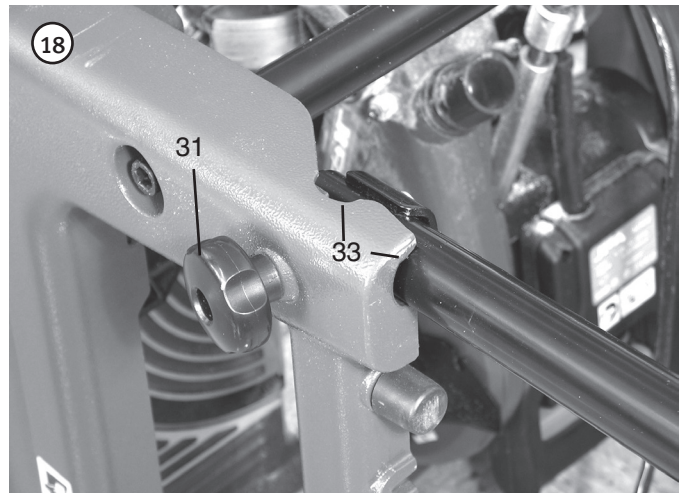
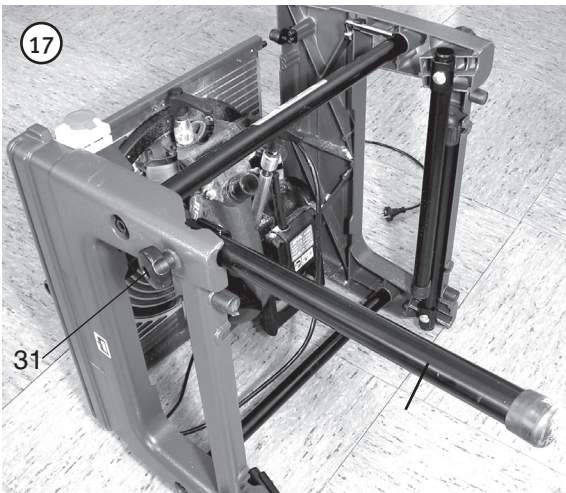
Huom.!

- Varmista aina, että lattia koneen ympärillä on siivottu jäännöspaloista, lastuista ja muista esineistä, jotka voivat aiheuttaa kompastumisriskin.
- Yhdistelmäsaaha voidaan käyttää lattialla jalat ulostaitettuina tai asennettuna penkille jalat sisäänlaitettuina.
- Jos yhdistelmäsaaha asennetaan penkille, pöydälle tms., täytyy se kiinnittää läpimenevillä pulteilla levyn läpi ja sahan U:n muotoisilla kiinnikkeillä (5). (kuva 2)



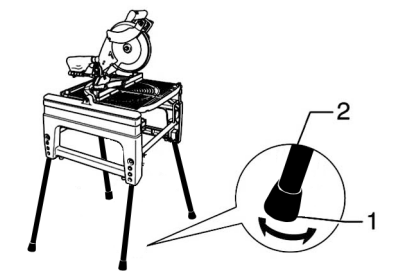
4.1 Taita jalat ulos

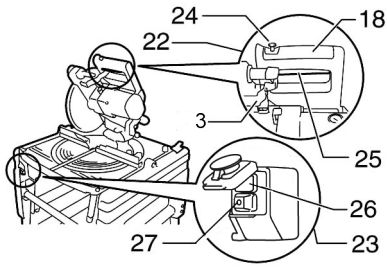
1. Aseta yhdistelmäsaaha toiselle kyljelle.
2. Irrota suuret lukitusnupit (31), jotka lukitsevat jalat kiinni.
3. Taita jalat ulos ja kiristä lukitusnupit uudelleen, jotta jalat lukittuvat ulostaitettuun asentoon.
4. Toimi samoin sahan toisen puolen kanssa.



Jalkojen säätö

Jalkojen tulee seisoa tasaisesti alustallaan. Säädä jalkoja tarvittaessa säätöjalalla (1), jos lattia on epätasainen. Käännä vastapäivään kiertääksesi jalkoja sisäänpäin ja myötäpäivään kiertääksesi niitä ulospäin.





5. Toimintokuvaus

5.1. Käynnistys

Yhdistelmäsaaha käynnistetään ja pysäytetään eri tavoin riippuen siitä, miten sahaa milloinkin käytetään:

Pyörösahatilassa: (moottori pöydän alla)

Saha käynnistetään ja sammutetaan virtakytkimellä (23) (keltaisen kannen alla)

- Käynnistä moottori painamalla vihreää painiketta (26).
- Sammuta laite painamalla punaista painiketta (27).

Katkaisu- ja jiirisahatilassa (moottori pöydän päällä)

Saha käynnistetään ja sammutetaan virtakytkimellä (22)

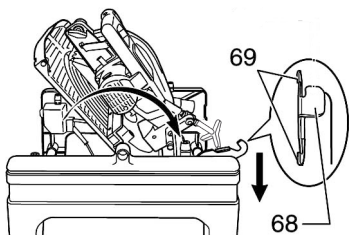
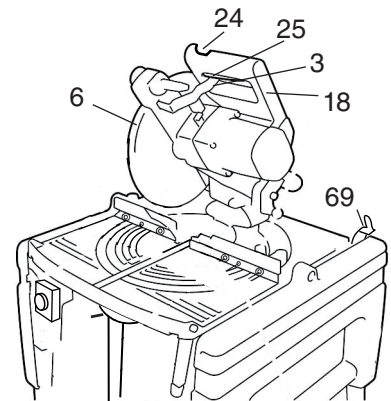
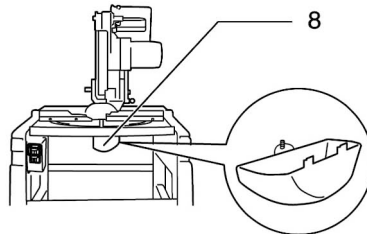
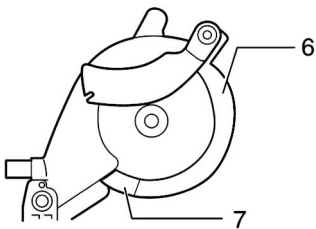
- Paina virtakytkimen varmistinta (24) ja virtakytkintä (25), niin moottori käynnistyy.
- Sammuta moottori päästämällä virtakytkin (25).

Varoitus! Vedä virtajohdon pistoke pistorasiasta ennen huoltoa ja säätöä.

Yhdistelmäsaahan mukana tulee erilaisia suojia, joita käytetään/asennetaan sen mukaan, onko saha käännetty pyörösahaksi vai katkaisu- ja jiirisahaksi.

Varoitus:

- Varmista ennen jokaista käyttökertaa, että kaikki suojat ovat ehjiä ja että kahvaa (18) ei voi painaa alas ilman että kahvan lukitus (3) on ensin painettu vasemmalle.
- Varmista, että liikkuva teräsuoja (6) ei avaudu ilman että kahvan lukitus (3) on ensin painettu vasemmalle.
- Varmista, että alempi teräsuoja (8) asennetaan ennen kuin sahaa käytetään katkaisu- ja jiirisahatilassa.
- Työtilassa täytyy pöydän olla lukittu niin, että säädin/lukitsin (69) joustaa kokonaan ja lukitsee pöydän.



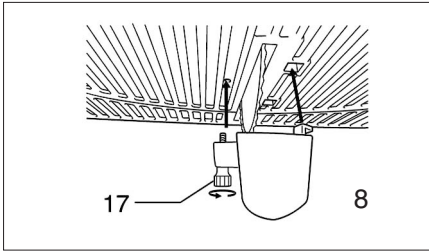
5.2 Suojien asentaminen/irrottaminen

Alempaa teräsuojaa (8) ja ylempää teräsuojaa (11) ei koskaan käytetä samanaikaisesti. Se, mikä suoja on käytössä ja mikä irrotettuna määräytyy sen mukaan, missä työskentelytilassa saha on:

- Alempi teräsuoja (8) (käytetään ainoastaan katkaisu- ja jiiritilassa). Tämä suoja asennetaan pöydän ala puolelle. Pujota hakaset pöydän alapuolella ja kiristä ruuvi (17) toisella puolella. Poista ensin suoja (11) jos se on asennettuna.

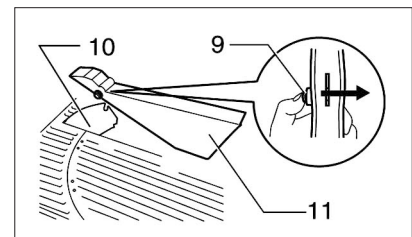
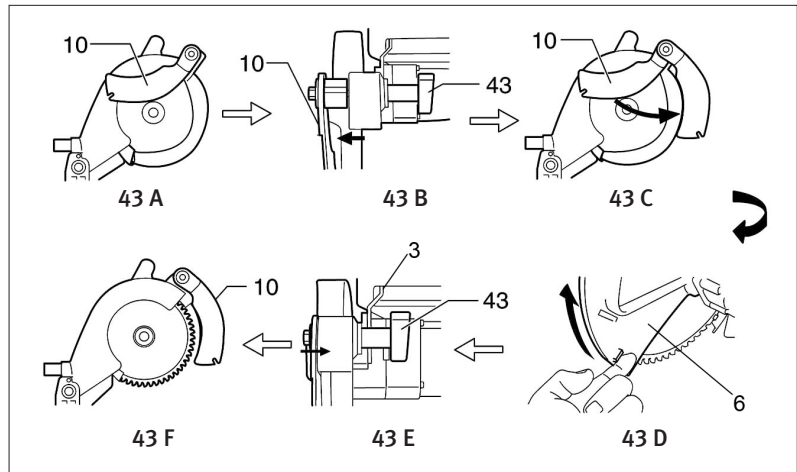
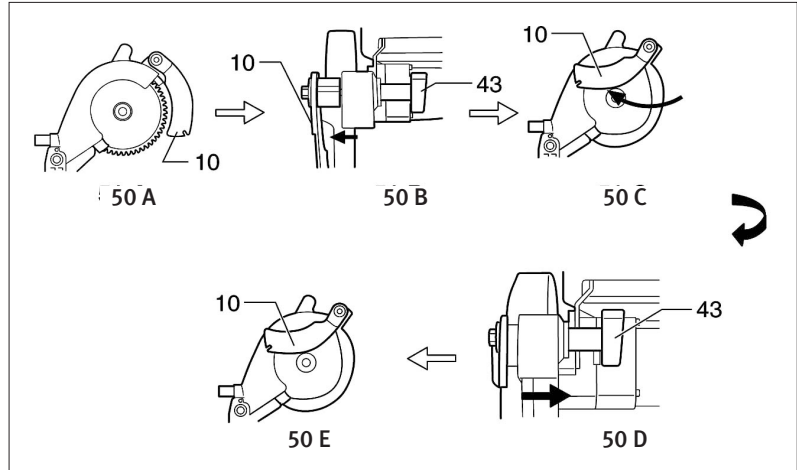
Irrota rakoveitsi (10) ja kiinnitä se sivulle:

1. Irrota rakoveitsen lukituskahva (43) ja vedä rakoveitsi sivulle (Kuva 50-B).
2. Taita rakoveitsi nuolen osoittamaan suuntaan siten, että se on pois tieltä (Kuva 50-C).
3. Paina rakoveitsistä ja vedä lukituskahvasta (43) (Kuva 50-D).
4. Varmista käsin, että terä pyörii vapaasti koskettamatta mihinkään.



- Ylempi teräsuoja (11) (käytetään ainoastaan pöydän kanssa pyörösahatilassa). Tämä suoja asennetaan rakoveitseen (10).

5. Käännä pöytää niin, että moottori on pöydän päällä. (Poista ensin suoja (8), jos se on asennettuna).
6. Rakoveitsi (10) on taitettu sivulle kun saha käytetään katkaisu- ja jiiritilassa (Kuva 43-A).
7. Irrota rakoveitsen lukituskahva (43) ja vedä rakoveitsi sivulle (Kuva 43-B).
8. Taita rakoveitsi nuolen osoittamaan suuntaan siten, että se on juuri sahanterän hampaiden ulkopuolella (Kuva 43-C).
9. Paina lukitusta (3) ja nosta suoja (6) niin ylös kuin saat ja vedä lukituskahvasta (43) (Kuva 43-E).
10. Varmista käsin, että terä pyörii vapaasti koskettamatta mihinkään.
11. Paina säädin/lukitsin (68) alas ja käännä pöytä.
12. Ota esiin ylempi teräsuoja (11), paina lukitus (9) alas ja pidä se painettuna. Aseta suoja rakoveitsen koloon ja päästä irti lukituksesta. Varmista, että suoja on kiinni ja liikkuu helposti ylösalas.



5.3 Suojan puhdistaminen

Varoitus!

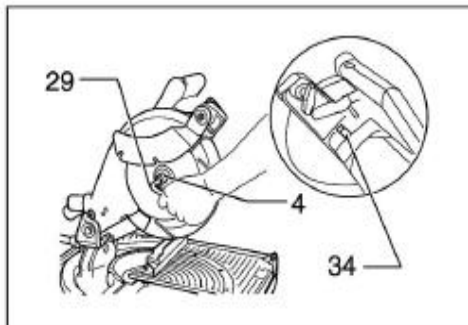
Vedä virtajohdon pistoke pistorasiasta ennen puhdistusta, huoltoa ja säätöä.

Läpinäkyvät suojat tulee puhdistaa aina silloin tällöin, sillä niihin saattaa tarttua niin paljon purua ja pölyä, että suojan läpi on vaikea nähdä.

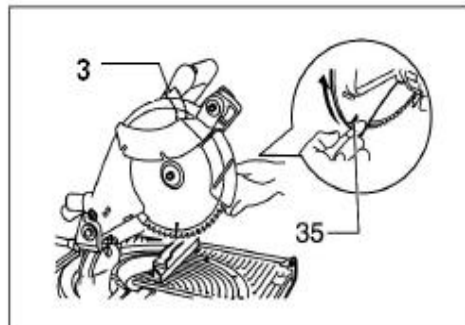
- Puhdista suoja kostutetulla liinalla.
- Puhdista liikkuva teräsuoja (6) seuraavasti: Päästä kahva kokonaan ja poista sahanterä (katso kohdasta ”Sahanterän vaihtaminen”). Paina lukitus (3) sivulle ja käännä suoja sellaiseen asentoon, missä se on helppo puhdistaa. Aseta sahanterä takaisin.
- Varmista aina puhdistuksen/huollon jälkeen, että kaikki suojalaitteet toimivat moitteetta.

5.4 Sahanterän vaihto

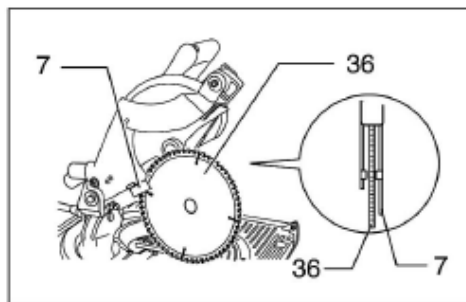
1. Käännä saha katkaisu- ja jiirisaha-asentoon (moottori pöydän päällä).
2. Vie kahva ja sahaosa ylimpään asentoon.
3. Paina karalukko (34) sisään ja käytä avainta (29) pultin (4) irrottamiseen. Käännä pulttia myötäpäivään.
4. Löysää lukitusta (3) ja taita liikkuva teräsuoja ylös ja pidä sitä paikoillaan nostokielekkeen (35) avulla.
5. Ruuvaa pultti (4) irti ja poista ulompi terälaippa (39). Poista sitten sahanterä (36).
6. Asenna uusi terä varoen ja varmista, että pyörimissuunta on oikea. Varmista tämä pyörimissuuntaa osoittavilla nuoliilla (38), jotka on merkitty sekä sahanterään (36) että teräkoteloon (37).
7. Asenna ulompi laippa (39), ruuvaa, kiristä pultti (4).
8. Varmista, että terä pyörii vapaasti ja on oikein asennettu.



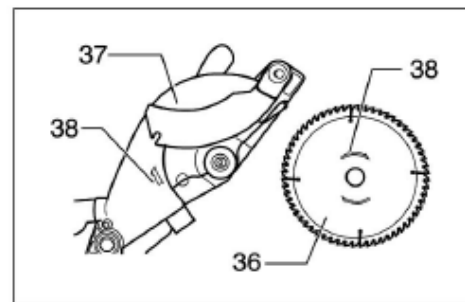
19



20



21



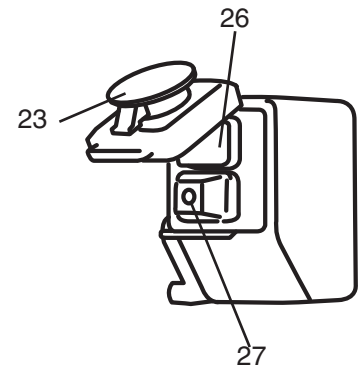
22

6. Hätkatkaisija

Kun sahaa käytetään pöytäpyörösaahana, on moottori liitetty hätkatkaisijan kautta. Kun sahaa käytetään katkaisu- ja jiirisahana, ei moottoria ole liitetty hätkatkaisijan kautta, vaan moottori käynnistetään/sammutetaan kahvassa olevalla virtakytkimellä (22).

Virtakytkimen päällä oleva kansi (23) toimii hätkatkaisijana.

Huom.! Aktivoi hätkatkaisija ja irrota pistoke pistorasiasta aina kun sahaa ei käytetä tai se jätetään ilman valvontaa. Näin estät lapsia ja muita sivullisia käyttämästä sahaa.



Aktivoi hätkäpysäytys:

Paina virtakytkimen päällä olevaa kantta (23). Moottori sammuu ja kansi lukittuu painettuun asentoon.

Palauta hätkäpysäytys:

Palauta hätkäpysäytys seuraavalla tavalla: Paina punaista painiketta ylöspäin (pöytää kohti) siten, että lukitus irtoaa ja virtakytkimen kannen voi avata. Käynnistä moottori tavalliseen tapaan.

Huom.! Käännä kansi takaisin virtakytkimen päälle aina heti moottorin käynnistettyäsi. Siten voit tarvittaessa pysäyttää moottorin nopeasti! (älä kuitenkaan käännä kantta liian pitkälle, jolloin hätkäpysäytys aktivoituu).

6.1 Rakoveitsi

Rakoveitsi (10) on tärkeä turvallisuuden kannalta, koska se estää terää juuttumasta työkappaleeseen ja näin ollen estää työkappaletta lentämästä taaksepäin käyttäjää kohti.

Kun sahaa käytetään pöytäpyörösaahana, rakoveitsen tulee aina olla asennettuna terän taakse.

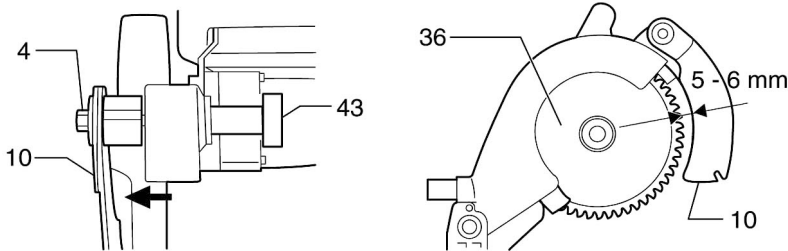
Säädä rakoveistä tarvittaessa:

Sahanterän (36) ja rakoveitsen (10) välillä tulee olla n. 5–6 mm. Säädä rakoveitsen asentoa irrottamalla pultti (4) ja säädä rakoveitsen (10) ja sahanterän (36) väli 5–6 mm:iin. Kiristä pultti (4) uudestaan.

Rakoveitsen tulee olla linjassa sahanterän kanssa.

Varoitus!

Jos sahanterä ja rakoveitsi eivät ole linjassa keskenään, voi työkappale jumittua ja lentää taaksepäin käyttäjää kohti. Sahanterän ja rakoveitsen tulee olla linjassa!



6.2 Halkaisuohjaimen asentaminen ja säätäminen

1. Asenna halkaisuohjaimen pidike (45) pöydällä olevaan uraan (46).
2. Aseta se haluamaasi leveyteen asteikon mukaan ja kiristä halkaisuohjaimen lukituskahva (48).
3. Irrota kiskon lukituskahva (47).
4. Siirrä pidikkeessä (45) olevaa kiskoä (49) siten, että se päättyy juuri siinä kohtaan, missä sahanterä (36) menee pöydän läpi (katso linjaa 50). Huom.! Tämä on tärkeää, koska se estää työkappaletta juuttumasta kiinni pidikkeen ja sahanterän väliin ja estää näin ollen työkappaletta lentämästä kohti käyttäjää. Huomioi, että asetusta tulee muuttaa eri paksuuksille ja kallistuksensäädöille.
5. Kiristä kiskon lukituskahvaa (47), jotta tuki on tiukasti kiinni.

Huom.!

Halkaisuohjain on sen muotoinen, että sen voi asettaa pidikkeeseen (45) neljään eri asentoon.

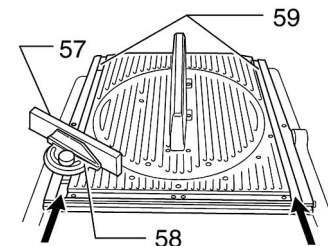
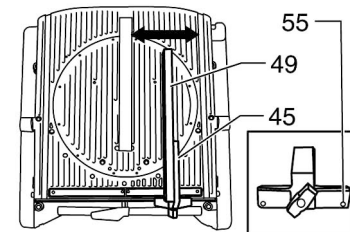
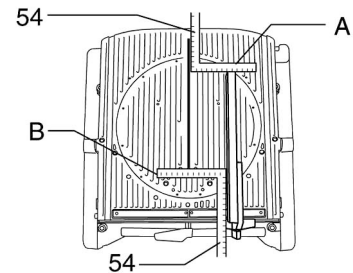
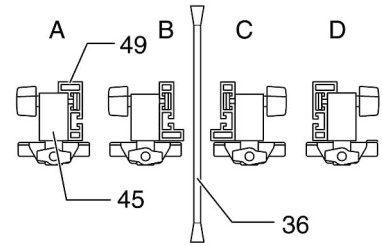
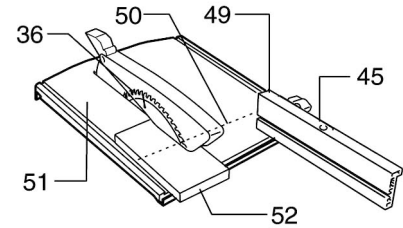
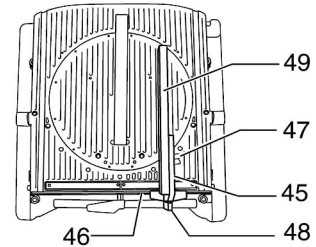
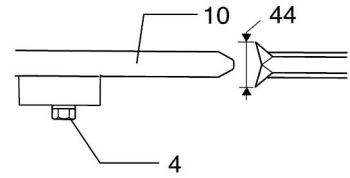
Halkaisuohjaimen tulee olla samansuuntainen sahanterän kanssa. Varmista se seuraavasti:

1. Aseta sahanterä ylimpään korkeuteen pöydän päälle.
2. Merkitse yksi sahanterän hampaista.
3. Pyöritä terää käsin, kunnes merkitsemäsi hammas on pöydän kanssa samalla korkeudella. Mittaa hampaan ja halkaisuohjaimen välinen etäisyys. Käytä apuna suorakulmaa, metalliviivainta tms.
4. Pyöritä terää käsin puoli kierrosta, kunnes merkitsemäsi hammas on pöydän kanssa samalla korkeudella. Mittaa hampaan ja halkaisuohjaimen välinen etäisyys tästä kohdista. Jos nämä kaksi mitta (A) ja (B) ovat samat, ovat halkaisuohjain ja sahanterä nyt samansuuntaisia.
5. Säädä halkaisuohjainta tarvittaessa: pidikkeessä (45) on ulkopuolella säätöruuvi. Avaa vähän lukituskahvaa (48) ja käännä säätöruuvia kunnes halkaisuohjain on samansuuntainen sahanterän kanssa. Kiristä lukituskahvaa (48).
6. Varmista, että sahanterä pystyy pyörimään esteettä ja että kaikki suojat toimivat.

Huom.! Älä nosta katkaisusuojasta, pidike voi mennä rikki.

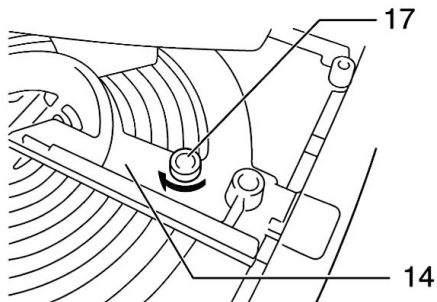
6.3 Jiiriohjain

1. Kiinnitä kisko (57) jiiriohjaimen (58).
2. Asenna jiiriohjain (58) pöytään työntämällä sen pitkä alumiiniprofiili yhteen pöydän etupuolella olevista urista (59).

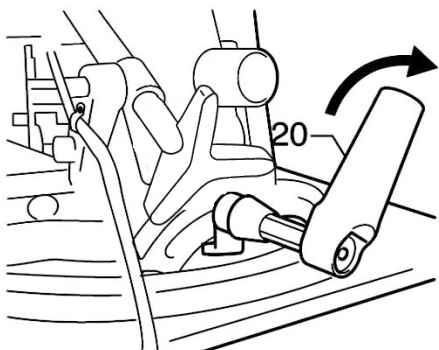


7. Yhdistelmäsaahan käyttäminen pöytäpyörösahana

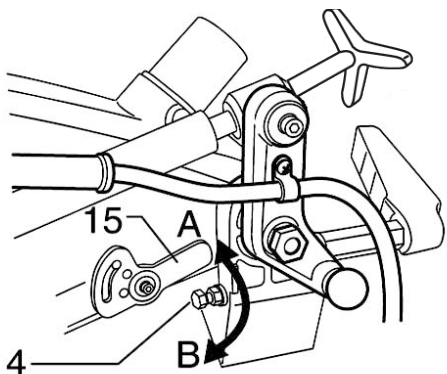
7.1 Laitteen säätäminen pöytäpyörösahaksi



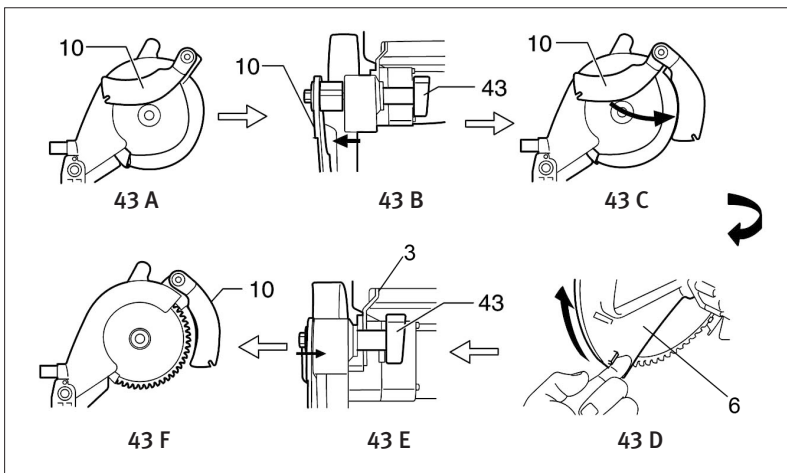
1. Aseta pöytä kulmaan 0° ja lukitse se lukituskahvalla (17).

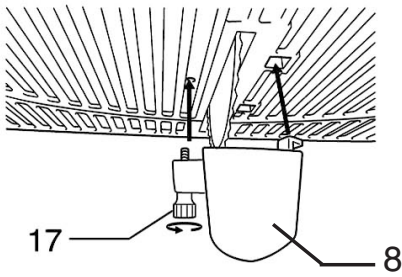


2. Kiristä lukituskahvaa (20) kiinnittääksesi sahaosan.

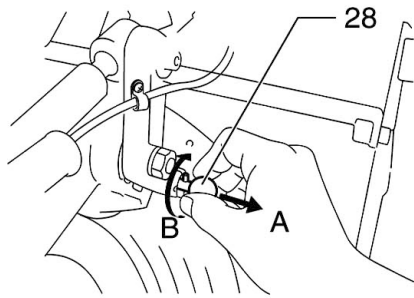


3. Taita syvyydenrajoitin (15) kohti A:ta siten, että se irtoaa pultista (4).
4. Taita rakoveitsi esiin. Ylempi teräsuoja (11) (käytetään ainoastaan pöydän kanssa katkaisu- ja jiiritilassa). Tämä suoja asennetaan rakoveitseen (10).
 - a) Rakoveitsi (10) on taitettuna sivulle kun sahaa käytetään katkaisu- ja jiiritilassa (Kuva 43-A).
 - b) Irrota rakoveitsen lukituskahva (43) ja vedä rakoveitsi sivulle (Kuva 43-B).
 - c) Taita rakoveitsi nuolen osoittamaan suuntaan siten, että se on juuri sahanterän hampaiden ulkopuolella (Kuva 43-C).
 - d) Paina lukitusta (3) ja nosta suoja (6) niin ylös kuin saat (Kuva 43-D) ja vedä lukituskahvasta (43) (Kuva 43-E).





5. Poista alempi teräsuoja (8).



6. Lukitse sahaosa. Vedä lukitus (28) ulos ja käännä sitä myötäpäivään 90° nuolen B osoittamalla tavalla. Paina kahvaa alaspäin kunnes sahaosa lukittuu kiinni.

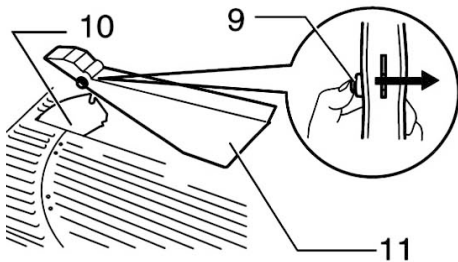
Varoitus! Lukitus (28) tulee olla lukittuna ennen kuin pöytä käännetään.

Jos sahaosaa ei voi lukita lukituksella (28) alas käännettyssä asennossa, tulee säätönuppia (21) kääntää myötäpäivään kunnes lukitus lukitsee sahaosan.

7. Käännä pöytä

Varoitus! Muista seuraavat asiat ennen kääntämistä:

- Sammuta kone hätäkytkimellä. Irrota pistoke verkkovirrasta. Anna terän pysähtyä kokonaan.
 - Mieti tarkkaan, miten otat pöydästä käsillä kiinni, kun käännät sen. Pidä kiinni pöydän reunan keskiosasta ja paina pöydän säädin/lukitsin (68) alas. Käännä pöytä varovaisesti ympäri.
 - Paina niin pitkälle, että säädin/lukitsin (68) lukitsee pöydän uudestaan.
8. Asenna ylempi teräsuoja
- Ota esiin ylempi teräsuoja (11), paina lukitus (9) alas ja pidä se painettuna. Aseta suoja rakoveitsen koloon ja päästä irti lukituksesta.
 - Varmista asennuksen jälkeen, että suoja on kiinni ja liikkuu helposti ylösalas.



7.2 Käyttö pöytäpyörösauna

Huom.!

- Käytä aina työntä tai muuta kättä pidempää, jotta sinun ei tarvitsisi viedä käsiä tai sormia terän lähelle.
- Pidä työkalua aina painettuna halkaisuohjainta ja pöytää vasten. Älä yritä taivuttaa/kallistaa työkalua, koska se voi lentää taaksepäin kohti käyttäjää.
- Älä koskaan vedä työkalua taaksepäin kun sahanterä pyörii! Sammuta saha ja anna terän pysähtyä kunnolla ja vedä työkalua taaksepäin vasta sitten. Muuten työkalu voi lentää taaksepäin käyttäjää kohti.
- Älä koskaan yritä poistaa puruja tai sahauskappaleita sahanterän pyöriessä.
- Älä koskaan pidä käsiäsi tai sormiasi terän läheisyydessä tai sen tiellä työkaluella terän pyöriessä.
- Halkaisuohjaimen tulee aina olla kunnolla kiinni. Muuten työkalu voi lentää taaksepäin käyttäjää kohti.

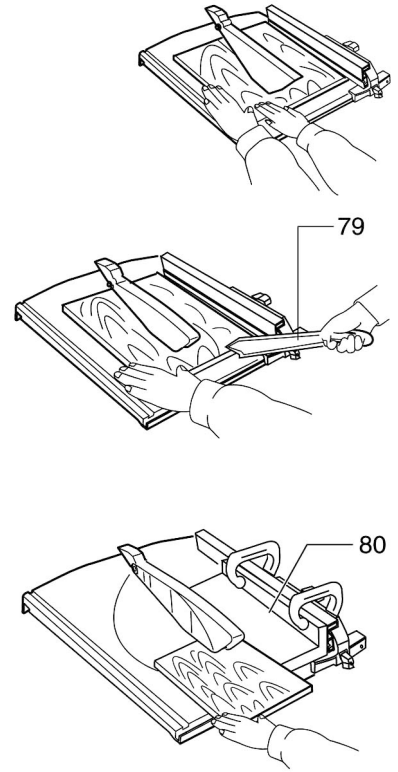
7.3 Halkaiseminen

Työskentele oikein:

- Seiso sahan etupuolella, pidä hyvä tasapaino.
- Älä seiso suoraan terän edessä, mikäli terä pettää, se lentää suoraan eteenpäin.
- Käytä tarvittaessa työntimiä.

Huom.!

- Poista jiiriohjain pöydästä ennen halkaisun aloittamista.
 - Käytä pitkien tai isojen työkappaleiden kanssa tukea. Tuen on oltava samalla korkeudella pöydän kanssa. Pyydä tarvittaessa joku avuksesi.
1. Säädä sahausvyvyys siten, että se on hieman suurempi kuin työkappaleen paksuus. (Katso kohdasta 9.4 Sahaussyvyyden säätäminen)
 2. Säädä halkaisuohjaimen paikka ja kiristä halkaisuohjaimen pidikkeen (45) lukituskahvat (47 ja 48).
 3. Käynnistä moottori ja syötä työkappaletta halkaisuohjainta pitkin sahanterän ohi.
 4. Jos kappale on yli 150 mm leveä, kannattaa työkappaletta syöttää yhdellä kädellä ja pitää kappaletta halkaisuohjainta vasten toisella.
 5. Jos kappaleen leveys on 65–150 mm, kannattaa työkappaleen syöttämiseen käyttää työntintä (79). Pidä toisella kädellä kiinni työkappaleesta.
 6. Jos työkappale on ohuempi kuin 65 mm, käytä omaa ohjauskappaletta (80) (ei sisälly) .
Työnnin saattaa muuten juuttua suojaan. Kiinnitä ohjauskappale puristimilla. Syötä työkappaletta käsin, kunnes se on muutaman sentin pöydän edessä. Jatka sitten syöttämistä, kunnes leikkaus on valmis ja pidä samanaikaisesti kappaletta alhaalla toisella työntimellä.



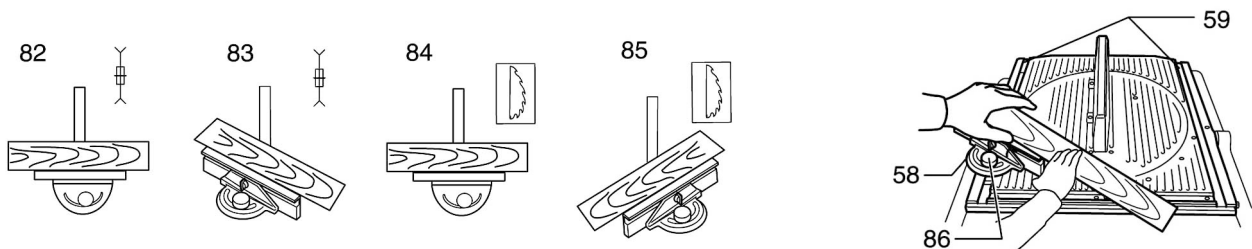
7.4 Katkaisu jiiriohjaimella

Huom.!

- Poista halkaisuohjain ennen kuin katkaiset jiiriohjaimella.
- Käytä pitkien tai isojen työkappaleiden kanssa tukea. Tuen on oltava samalla korkeudella pöydän kanssa. Pyydä tarvittaessa joku avuksesi.
- Pidä kädet ja sormet poissa terän tieltä.

Jiiriohjain

Jiiriohjainta voidaan käyttää neljään erilaiseen jiirikatkaisuun.



Varoitus!

- Kiristä jiiriohjaimen lukituskahva kunnolla.
- Älä paina liian kovaa, ettei kulma muuttuisi katkaisun aikana.
- Älä koskaan pidä kiinni pois sahattavasta osasta. Älä myöskään yritä kurottaa kappaleen perään. Varmista, että työskentelet riskittömästi.

Käytä jiiriohjainta

Työnnä jiiriohjain yhteen pöydän urista (59). Irrota lukituskahva (86) ja aseta haluamasi kulma (0°–60°). Aseta työkappale jiiriohjainta vasten ja ohjaa sitä hitaasti sahanterää kohti.

8. Käytä yhdistelmäsaaha katkaisu- ja jiirisahana

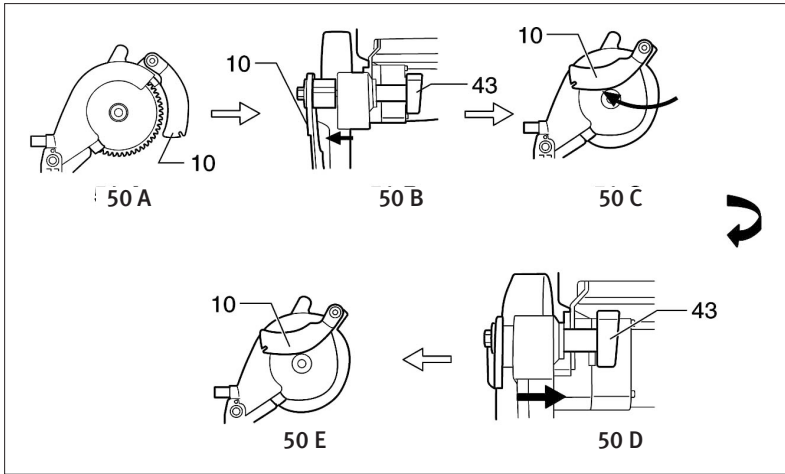
Katkaisu- ja jiirisahan säätäminen

Varoitus! Kun sahaa käytetään katkaisu- ja jiirisahana, tulee alemman teräsuojan (8) olla asennettuna.

1. Poista ylempi teräsuoja (11): Paina lukitsin (9) sisään ja pidä se painettuna samalla kun vedät suojaa ylöspäin rakoveitsen kolosta.
2. Asenna alempi teräsuoja (8), kiinnitä hakaset pöytään ja kiristä kiinnitysruuvi (17).
3. Käännä pöytä. (kuva 5)

Varoitus! Muista seuraavat asiat ennen kääntämistä:

- Sammuta kone hätäkytkimellä. Irrota pistoke verkkovirrasta. Anna terän pysähtyä kokonaan.
- Mieti tarkkaan, miten otat pöydästä käsillä kiinni, kun käännät sen. Pidä kiinni pöydän reunan keskiosasta ja paina säädin/lukitsin (68) alas. Käännä pöytä varovaisesti ympäri.
- Paina niin pitkälle, että säädin/lukitsin lukitsee pöydän uudestaan.



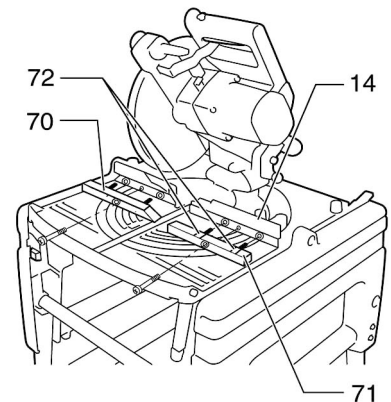
4. Irrota sahaosa alemmasta asennosta: Vedä lukitus (28) ulos, pidä sitä paikallaan ja käännä sitä myötäpäivään 90° nuolen B osoittamalla tavalla. Pidä kiinni kahvasta ja päästä sahaosa varovaisesti. (kuva 49)

5. Taita rakoveitsi

- a) Rakoveitsi (10) taitetaan ylös teräkotelon sivulle, kun sahaa käytetään katkaisu- ja jiirisahana.
- b) Irrota rakoveitsen **LUKITUSKAHVA** (43) ja vedä rakoveitsi sivulle (Kuva 50-B). Ota kiinni liikkuvasta teräsuojasta (6) ja pidä kiinni kun se joustaa.
- c) Taita rakoveitsi (10) nuolen osoittamaan suuntaan teräkotelon ulkopuolelle (Kuva 50-C).
- d) Kiristä kahva (43) (kuva 50-D).

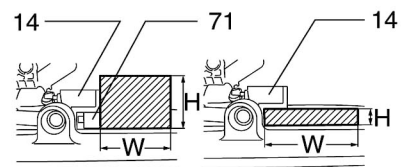
6. Asenna ja irrota alemmat suojat (70 ja 71)

Alempien suojien (70 ja 71) tulee olla asennettuina kun sahataan työkappaleita, joka on paksumpi kuin 20 mm. Poista suojat sahattaessa ohuita (< 20 mm) ja leveitä (> 180 mm) työkappaleita. Alemmissa suojuissa on ohjausnupit (72), joiden avulla suojat tulevat asennettaessa oikeaan asentoon.



Esimerkkejä katkaisusta alemmalla suojalla (71) tai ilman.

Työkappale (k x l)	Käytä/älä käytä alemmaa suojaa.
68mm x 155mm	Käytä alemmaa suojaa
20mm x 210mm	Älä käytä alemmaa suojaa



8.1 Katkaisu- ja jiirisahan työtehtävät

1. Sahaaminen

Kiinnitä työkappale suojaan ja pöytään. Käynnistä moottori ja odota, kunnes se saavuttaa täydet kierrosluvut. Paina kahva varoen alas ja anna sahanterän sahata koko työkappaleen läpi. Päästä virtakytkin ja anna terän pysähtyä kokonaan. Pidä kiinni kahvasta ja vie se hitaasti ylimpään asentoon.

2. Jiirisahaus (käännä pöytä haluttuun kulmaan)

Katso luku 9.2. Pöydän kulman säätäminen

3. Vinosahaus (käännä sahaosaa haluttuun kulmaan 0°–45°)

- Irrota lukituskahva (20) ja kallista sahaosaa haluttuun kulmaan. Katso luku 9.3 Terän kallistuksen säätö. Muis-ta kiristää lukituskahva kun olet asettanut haluamasi kulman. Kiinnitä työkappale suojaan ja pöytään.
- Käynnistä moottori ja odota, kunnes se saavuttaa täydet kierrosluvut. Paina kahva varoen alas ja anna sahanterän sahata koko työkappaleen läpi.
- Päästä virtakytkin ja anna terän pysähtyä kokonaan. Pidä kiinni kahvasta ja vie se hitaasti ylimpään asentoon.

Varoitus!

- Varmista, että sahaosa liikkuu alas asti, eikä ota mihinkään kiinni. Pidä kädet poissa terän läheisyydestä sahatessasi.
- Vinosahauksessa voi yksi osista nojata sahanterää vasten sahauksen aikana tai sen jälkeen. Jos sahaosa nostetaan ylös ennen kuin sahanterä on pysähtynyt sahauksen jälkeen, voi työkappaleen osia sinkoutua terään osuessaan. Päästä virtakytkin ja anna terän pysähtyä kokonaan. Pidä kiinni kahvasta ja vie se hitaasti ylimpään asentoon sahauksen jälkeen.
- Paina työkappaletta sahanterän suuntaan sahauksen aikana. Jos painat suoraan alaspäin, voi sahauskulma muuttua sahauksen aikana ja tarkkuus heikentyä.

4. Vino/jiirisahaus (vinosahaus ja jiirisahaus samanaikaisesti)

Kallista sahaosaa, käännä pöytää ja sahaa kahta kulmaa samanaikaisesti.

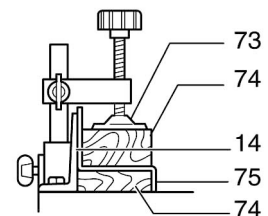
Nämä kulmat ovat mahdollisia: Vinosahaus 0–45°, jiirisahaus vasen ja oikea 0–45°.

5. Alumiiniprofiilin sahaaminen

Käytä aina jonkinlaista puista välikappaletta (74) puristimen/pöydän ja alumiiniprofiilin (75) välissä sahauksen aikana. Muuten työkappale (75) saattaa vioittua. Voitele sahanterä alkoholilla sahatessasi, jotta terän hampaisiin ei kerääntyisi mitään sahauksen aikana.

Huom.!

- Älä koskaan yritä sahata paksuja tai pyöreitä työkappaleita. Paksut voivat irrota ja pyöreät voivat pyöriä ja olla vaikeita kiinnittää.
- Älä koskaan yritä sahata alumiinia kun pöytä on käännetty pöytäpyörösaha-asentoon.



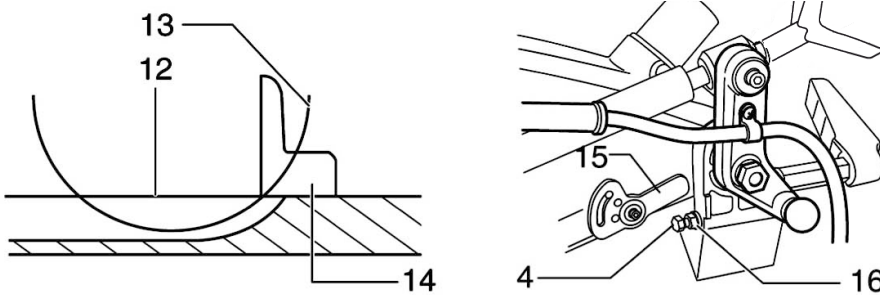
9. Asetukset

9.1 Aseta yhdistelmäsaaha maks. sahauskapasiteettiin.

Varoitus! Vedä virtajohdon pistoke pistorasiasta ennen puhdistusta, huoltoa ja säätöä.

Yhdistelmäsaaha on tehdasasetettu antamaan maks. kapasiteetin mukana tulevalla sahanterällä, jonka Ø on 250 mm. Tee uusi asennus vaihdettuasi sahanterän. Tarkista ja säädä tarvittaessa:

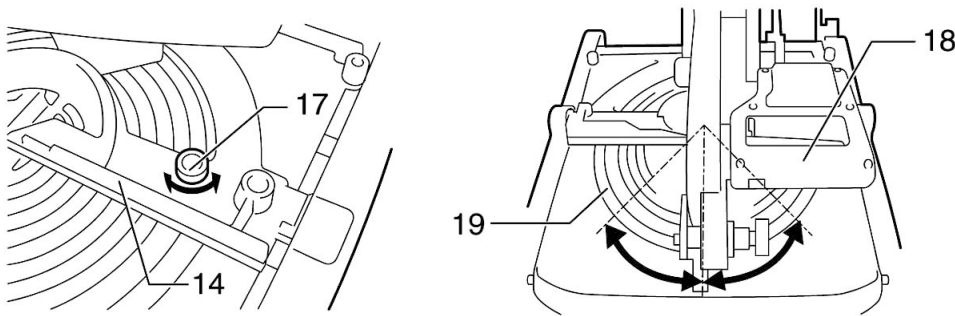
1. Säädä syvyydenrajoitin (15) siten, että se menee kohti pulttia (4), paina lukitusta (3) sivuun ja taita sahaosa niin alas kuin mahdollista.
2. Sahanterän hampaiden (13) tulee juuri ja juuri ylettyä pöydän ylemmän pinnan (12) läpi sinne, mistä suoja (14) alkaa. Säädä sahanterä tarvittaessa.
3. Säädä näin: Ruuvaa lukkomutteri (16) irti, säädä pultti (4) siten, että sahanterä on oikeassa syvyydessä ja kiristä sitten lukkomutteri (16) takaisin.



4. Varmista käsin, että terä pyörii vapaasti koskettamatta mihinkään.
5. Saha voidaan käyttää ilman aktivoitua syvyydenrajoitinta (15) tai sen kanssa:
 - Käännä rajoitinta vastapäivään, jos aiot sahata leveitä ja ohuita työkappaleita.
 - Käännä syvyydenrajoitinta (15) takaisin myötäpäivään siten, että se säätöruuvien kohdalla, jos aiot sahata paksuja työkappaleita.

9.2 Pöydän kulman säätäminen (jiirisahaus)

1. Käännä lukituskahvaa (17) vastapäivään ja käännä pöytää haluamaasi suuntaan. Pöydässä on kuulalukitus (kiinteät kulmat) käytetyimpien kulmien kohdalla. Osoitinnuoli näyttää asetetun kulman.
2. Kiristä lukituskahvaa (17) myötäpäivään lukitaksesi pöydän asetettuun kulmaan.



9.3 Terän kallistuksen säätö (vinosahaus)

Muista tarkastaa jokaisen säädön jälkeen, että terä pyörii vapaasti. Sahanterän ja tuen välisen kulman tulee olla tasan 90°.

Katkaisu- ja jiirisaha

1. Käännä lukituskahvaa (20) vastapäivään, käännä sahaosaa oikealle kunnes haluttu kallistus näkyy asteikossa.
2. Kiristä lukituskahvaa (20) myötäpäivään lukitaksesi sahaosan asetettuun kulmaan.

Huom.!

Varmista, että kahva (18) on ylimmässä asennossa ennen kuin terää kallistetaan. Muista kiristää lukituskahvaa (20) muutettuasi terän kallistusta.

Pöytäpyörösaha

1. Käännä lukituskahvaa (20) vastapäivään, käännä sahaosaa vasemmalla kunnes haluttu kallistus näkyy asteikossa.
2. Kiristä lukituskahvaa (20) myötäpäivään lukitaksesi sahaosan asetettuun kulmaan.

9.4 Sahaussyvyyden säätäminen

Säädä sahaussyvyys kun yhdistelmäsaaha käytetään pöytäpyörösahana (moottori pöydän alla): Käännä säätönappia (21) vastapäivään nostaaaksesi sahanterää ja myötäpäivään laskeaksesi sitä.

Varoitus! Säädä sahanterä niin, että se ei pistä ulos liian korkealla pöydän päällä sahattaessa ohuita materiaaleja. Sahanterän tulee ylittää materiaalin läpi ja vain vähän yli.

Huom.! Lukitusta (28) ei voi käyttää kun sahaosa on pöydän alla.

9.5 Leikkauskulmien säätö

Yhdistelmäsaahas on säädetty huolellisesti tehtaalla, mutta kulmien tarkistus/säätö voidaan tehdä tarvittaessa. (Yhdistelmäsaahan tulee olla katkaisu- ja jiirisahatilassa)

Säädä jiirikulma:

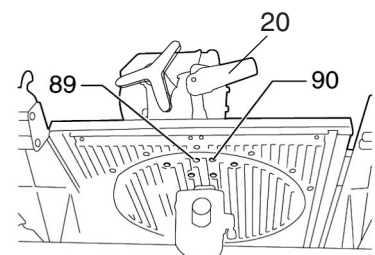
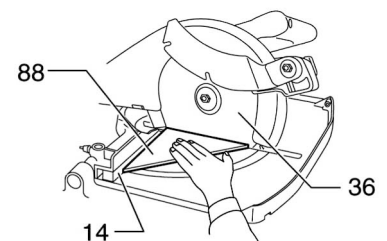
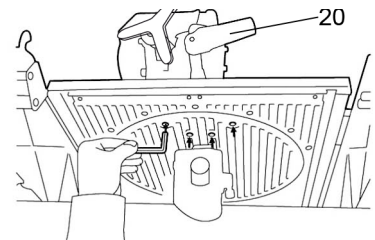
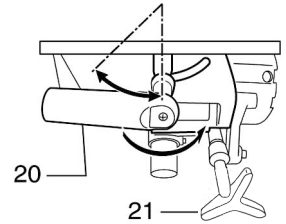
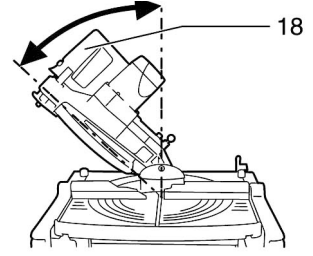
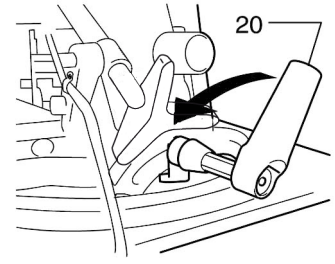
1. Pöydän alapuolella on neljä säätöruuvia. Irrota ne (kuva 68).
2. Laske sahaosa mahdollisimman alas ja lukitse se paikoilleen lukituksella .
3. Aseta pöydälle suorakulma, pidä sitä suojaa ja sahanterää vasten
4. Käännä pöytää kunnes pöydän osoitinnuoli osoittaa täsmälleen "0":ilaan.
5. Kiristä ruuvit.

Säädä kallistuskulma 0°:

1. Laske sahaosa mahdollisimman alas ja lukitse se paikoilleen lukituksella (28).
2. Irrota takapuolen lukituskahva (20).
3. Irrota säätöruuveja (89) 2–3 kierrosta vastapäivään.
4. Käännä säätöruuvi (89) takaisin myötäpäivään oikeaan kulmaan.
5. Säädä osoitinuolen asentoa tarvittaessa siten, että se on kohdassa "0"

Säädä kallistuskulma 45°:

1. Säädä ensin kallistuskulma 0°:
2. Taita sahaosaa vasemmalle niin pitkälle kuin mahdollista.
3. Käännä säätöruuvia (90) kunnes nuoli osoittaa "45°"



10. Yhdistelmäsaahan kuljetus

- Varmista ensin, ettei pistoke ole seinässä.
- Sahan tulee olla asennettuna katkaisu- ja jiirisaha-asentoon: Säädä pöydän kulma 0°:seen ja sahaosan kulma 0°:seen. Laske sahaosaa alimpaan mahdolliseen asentoon ja lukitse se paikoilleen lukituksella (28).
- Kanna sahaa kuvan osoittamalla tavalla.

Varoitus!

- Varmista, että kaikki liikkuvat osat ovat kiinni ennen kuin nostat sahaa. Poista mahdolliset lisälaitteet.
- Sahan tulee olla asennettuna katkaisu- ja jiirisaha-asentoon.
- Alempi suoja (8) tulee olla asennettuna siirtämisen/kuljetuksen aikana.

11. Yhdistelmäsaahan säilytys

Varoitus!

- Älä säilytä sahaa niin, että ulkopuoliset voivat käynnistää sen ja loukata itsensä. Aktivoi hätäpysäytin ja varmista, että pistoke on irrotettu.
- Säilytä sahaa kuivissa sisätiloissa suojassa sateelta ja kosteudelta.

12. Huolto

Toimenpiteet ennen käynnistämistä:

- Virtajohdon ja pistokkeen tulee olla ehjiä. Suojien tulee olla ehjiä ja toimia moitteettomasti. Terän tulee pyöriä vapaasti koskettamatta mihinkään. Rakoveitsen etäisyys terästä tulee olla 5–6 mm.
- Sahanterä ei saa olla haljennut. Kaikkien terien on oltava jäljellä. Terä ei saa olla kiero.
- Poista purut ja roskat sahan kaikista osista purunpoistolla tai pölynimurilla.
- Voitele ohjaimet ja kierrekarat.
- Tarkasta 300 käyttötunnin välein:
- Tarkasta, että kaikki ruuvit ja mutterit ovat tiukasti kiinni. Kiristä tarvittaessa.
- Tarkasta, että palautusjouset toimivat ja vetävät sahauspään yläasentoon. Vaihda tarvittaessa.
- Tarkasta kaikki pysäytysruuvit ja asteikkojen säädöt.

13. Korjaus

Varoitus! Yhdistelmäsaahan saa korjata ainoastaan ammattilainen, ja korjauksessa tulee käyttää ainoastaan alkuperäisosia.



14. Kierrätys

Kierrätä tuote asianmukaisesti, kun poistat sen käytöstä. Ota yhteys kuntasi jäteneuvontaan, mikäli olet epävarma.

15. Vianetsintä

Tarkasta kaikki turvalaitteet korjauksen jälkeen.

- **Moottori ei käy**
Tarkasta kaapeli, pistoke ja sulakkeet.
Nollajännitesuoja on saattanut laueta. Kokeile käynnistää uudelleen!
- **Sahanterä on juuttunut, jonka seurauksena sulake on lauennut.**
Paina hätäkatkaisinta ja irrota johto ja poista juuttunut kappale.
Vaihda sulake ja käynnistä saha tavalliseen tapaan.
- **Heikko suorituskyky**
Vaihda terä tai jätä se ammattilaisen teroitettavaksi.

16. Tekniset tiedot

Nimellisjännite:	230 VAC, 50 Hz
Teho:	1800 W
Kuormittamaton kierrosluku:	4200 kierr./min
Sahanterä:	Ø 250 x 30 x 2,8 mm
Pöytätason mitat:	545 x 505 mm
Paino:	35 kg
Sahanterän kallistus:	0°–45°
Jiirisahaus:	+ 45° ... - 45° (katkaisu- ja jiirisahaustilassa)

Mitat

Kokoontaitettuna:	710 x 680 x 610 mm
Avattuna:	710 x 680 x 1 000 mm
Maks. sahausvyvyys:	70 mm (pöytäpyörösaha) 65 mm (katkaisu- ja jiirisaha)

Declaration of Conformity

Försäkran om överrenstämmelse

Samsvarerklæring

Vakuutus yhdenmukaisuudesta



CLAS OHLSON AB

SE-793 85 INSJÖN, SWEDEN

Declares that this product complies with the requirements of the following directives and standards

Intygar att denna produkt överensstämmer med kraven i följande direktiv och standarder

Bekrefter at dette produktet er i samsvar med følgende direktiver og standarder

Vakuuttaa, että tämä tuote täyttää seuraavien direktiivien ja standardien vaatimukset

COMBINATION SAW

COTECH 30-9869 / 18-3068

92502 / 92502-UK

Machinery directive 2006/42/EC	EMC directive 2004/108/EC	
EN 61029-1/A12:2003 EN 61029-2-11:2003	EN 55014-1:2006 EN 55014-2/A1:2001 EN 61000-3-2:2006 EN 61000-3-11:2000	

EC type certificate, no. **M6080644390348**

Issued by the following notified body:

Utfärdats av följande anmälda organ:

Utstedt av følgende teknisk kontrollorgan:

Myöntänyt seuraava ilmoitettu laitos:

**TÜV Süd Product Service GmbH, Zertifizierstelle, Ridlerstrasse 65,
80339 München, Germany**

Klas Balkow
President

Insjön, Sweden, 2011-03-28



SVERIGE

KUNDTJÄNST Tel: 0247/445 00
 Fax: 0247/445 09
 E-post: kundtjanst@clasohlson.se

INTERNET www.clasohlson.se
BREV Clas Ohlson AB, 793 85 INSJÖN

NORGE

KUNDESENTER Tlf.: 23 21 40 00
 Faks: 23 21 40 80
 E-post: kundesenter@clasohlson.no

INTERNETT www.clasohlson.no
POST Clas Ohlson AS, Postboks 485 Sentrum, 0105 OSLO

SUOMI

ASIAKASPALVELU Puh: 020 111 2222
 Sähköposti: info@clasohlson.fi

INTERNET www.clasohlson.fi
OSOITE Clas Ohlson Oy, Annankatu 34-36 A, 00100 HELSINKI

UNITED KINGDOM

For consumer contact, please visit
www.clasohlson.co.uk and click on
customer service.

INTERNET www.clasohlson.co.uk