

CO-TECH**LXC**

LITHIUM XROSS CONNECT

GT 18

Grass Trimmer

Grästrimmer

Gresstrimmer

Ruohotrimmeri

Rasentrimmer

**Important!**

Read the entire instruction manual carefully and make sure that you fully understand it before you use the equipment. Keep the manual for future reference.

Viktig information:

Läs hela bruksanvisningen noggrant och försäkra dig om att du har förstått den innan du använder utrustningen. Spara bruksanvisningen för framtida bruk.

Viktig informasjon:

Les disse anvisningene nøye og forsikre deg om at du forstår dem, før du tar produktet i bruk. Ta vare på anvisningene for seinere bruk.

Tärkeää tietoa:

Lue nämä ohjeet huolellisesti ja varmista että olet ymmärtänyt ne, ennen kuin alat käyttää laitetta. Säilytä ohjeet myöhempiä tarvetta varten.

Wichtiger Hinweis:

Vor Inbetriebnahme die komplette Bedienungsanleitung sorgfältig durchlesen und aufbewahren.



Art.no
31-1325
31-1326

Model
DCGT102B
DCGT102

Ver. 20141105
Original instructions
Bruksanvisning i original
Original bruksanvisning
Alkuperäinen käyttöohje
Original Bedienungsanleitung

ENGLISH

SVENSKA

NORSK

SUOMI

DEUTSCH

SVERIGE

Kundtjänst tel: 0247/445 00
fax: 0247/445 09
e-post: kundservice@clasohlson.se

Internet www.clasohlson.se

Post Clas Ohlson AB, 793 85 INSJÖN

NORGE

Kundesenter tif: 23 21 40 00
faks: 23 21 40 80
e-post: kundesenter@clasohlson.no

Internett www.clasohlson.no

Post Clas Ohlson AS, Postboks 485 Sentrum, 0105 OSLO

SUOMI

Asiakaspalvelu puh.: 020 111 2222
sähköposti: info@clasohlson.fi

Internet www.clasohlson.fi

Osoite Clas Ohlson Oy, Maistraatinportti 4 A, 00240 HELSINKI

UNITED KINGDOM

Customer Service contact number: 020 8247 9300
e-mail: customerservice@clasohlson.co.uk

Internet www.clasohlson.co.uk

Postal 10 – 13 Market Place
Kingston Upon Thames
Surrey
KT1 1JZ

DEUTSCHLAND

Kundeservice Unsere Homepage www.clasohlson.de besuchen
und auf Kundenservice klicken.

GT18 Grass Trimmer

Art.no: 31-1325 Model: DCGT102B
 31-1326 DCGT102

Please read the entire instruction manual before use and save it for future reference. We reserve the right for any errors in text or images and for making any necessary technical changes to this document. If you should have any questions concerning technical problems please contact our Customer Services.

Contents

Safety	4
General Safety Requirements – EN 60745-1.....	4
Specific Safety Instructions for Grass Trimmers	7
Grass trimmer symbol explanation.....	8
Product description	9
Assembly	10
Front handle	10
Safety guard	11
Edging wheel.....	11
Charging.....	11
Charging the battery	11
Overload protection and other safety features.....	12
Operating instructions	13
Setup.....	13
Switching the trimmer on	13
Care and maintenance.....	14
Changing the trimmer line	14
Troubleshooting guide.....	16
Disposal.....	16
Specifications	16
Grass Trimmer	16
Charger	16

Safety

General Safety Requirements – EN 60745-1

General safety instructions for power tools

Warning: Read all the instructions. Failure to adhere to the following instructions may lead to electric shocks, fires and/or serious injury.

SAVE THESE INSTRUCTIONS.

The term “power tools” in the warning text below refers to your handheld mains operated or battery operated tool.

1) *Work area safety*

- a) **Keep the work area clean and well illuminated.** Cluttered and poorly lit areas invite accidents.
- b) **Do not use power tools in explosive environments, such as in the presence of flammable liquids, gases or dust.** Power tools generate sparks that can easily ignite dust or fumes.
- c) **Keep children and other bystanders away from the area where you are using the power tool.** Distractions can cause you to lose concentration and control of the tool.

2) *Electrical safety*

- a) **The power tool plug must fit correctly into the wall socket. Never modify the plug in any way. Never use an adaptor together with earthed power tools.** Unmodified plugs and suitable wall sockets minimize the risk of electric shocks.
- b) **Avoid physical contact with earthed objects such as pipes, radiators, ovens and refrigerators.** There is an increased risk of receiving an electrical shock if your body is earthed.
- c) **Do not expose the power tool to rain or other wet conditions.** Water entering a power tool will increase the risk of electric shock.
- d) **Do not abuse the mains lead. Never use the lead to carry the tool or pull the plug from a wall socket. Keep the lead away from heat, oil, sharp edges and moving parts.** Damaged or tangled leads increase the risk of electric shock.
- e) **When using power tools outdoors, use an extension lead that is suitable for this purpose.** The use of an extension lead designed for outdoor use decreases the risk of electric shocks.
- f) **If the use of the power tool in a wet environment is unavoidable, a wall socket equipped with a residual current device (RCD) should be used.** Use of an RCD significantly reduces the risk of electric shock.

3) *Personal safety*

- a) **Pay attention to what you are doing and use common sense when using power tools. Never use power tools if you are tired or under the influence of drugs, alcohol or medication.** One moment of inattention while using a power tool may result in a serious injury.
- b) **Wear protective clothing. Always wear safety glasses.** Using protective clothing such as dust masks, non-slip safety shoes, helmets and ear defenders decreases the risk of injury.
- c) **Avoid accidental starts. Make sure that the power switch is set to OFF before plugging the power tool into a wall socket, fitting the battery or picking up/carrying the power tool.** Carrying a power tool with your finger on the power switch/trigger or connecting the power tool to a wall socket when the power switch is set to ON is inviting an accident.
- d) **Remove all service tools/keys before switching on the power tool.** A service tool left on a rotating part of the power tool may result in personal injury.
- e) **Do not overreach. Keep proper footing and balance at all times.** This ensures better control over the power tool in unexpected situations.
- f) **Wear suitable clothing. Do not wear loose-fitting clothing or jewellery. Keep hair, clothes and gloves away from moving parts.** Loose-fitting clothes, jewellery or long hair could become caught in moving parts.
- g) **If equipment for dust extraction or collecting is available make sure it is connected and used properly.** Use of dust collection equipment can reduce dust related hazards.

4) *Use and maintenance of the power tool*

- a) **Do not force the power tool. Use a power tool suitable for the work you are about to perform.** The proper power tool will perform the task better and safer if used at the correct feed rate.
- b) **Never use the power tool if the power switch does not switch the tool on and off properly.** All power tools that cannot be controlled by the power switch are dangerous and must be repaired.
- c) **Unplug the lead from the wall socket or remove the battery before making any adjustments, changing accessories or storing the power tool.** These precautions reduce the risk of the power tool starting unexpectedly.
- d) **Store power tools that are not being used out of children's reach. Do not allow people who are unfamiliar with the tool or these instructions to operate the tool.** Power tools can be dangerous if they fall into the hands of inexperienced users.
- e) **Maintain power tools. Check for any incorrect settings, parts that catch, broken parts or anything else which may cause the power tool to malfunction. If something is damaged it must be repaired before use.** Many accidents are caused by poorly maintained power tools.

- f) **Keep cutting tools sharp and clean.** Properly maintained cutting tools with sharp blades are less likely to bind and are easier to control.
 - g) **Use the power tool, and any accessories in accordance with these instructions, take into consideration the working conditions and the work that is to be performed.** Using the power tool for a purpose other than that for which it is intended could result in a dangerous situation.
- 5) *The use and maintenance of cordless power tools*
- a) **Only charge the battery using a charger recommended by the manufacturer.** A charger suitable for one type of battery pack can pose a fire hazard if used for another type of battery pack.
 - b) **Only use the cordless power tool with specially designated battery packs.** Use of other battery packs may create a risk of injury and fire.
 - c) **When the battery pack is not in use, keep it away from other metal objects like paper clips, coins, keys, nails, screws or other small objects that can make a connection from one terminal to another.** Shorting the battery terminals together may cause burns or a fire.
 - d) **Under extreme conditions or if the battery is mistreated, electrolyte may leak from the battery pack. Avoid contact with this liquid. If contact accidentally occurs, rinse your skin with water. If the electrolyte contacts your eyes, seek medical help.** Electrolyte which has leaked from the battery pack can cause irritation or burns.
- 6) *Service*
- a) **Repairs and service should only be performed by qualified tradesmen, and only with original spare parts.** This guarantees that the safety of the power tool is maintained.

Specific Safety Instructions for Grass Trimmers

- This grass trimmer is not intended for use by persons (including children) with reduced physical, sensory or mental capabilities, or lack of experience and knowledge, unless they have been given supervision or instruction concerning the safe use of the grass trimmer by a person responsible for their safety.
- Never let children operate or play with the grass trimmer. Keep it out of reach of children.
- Wear sturdy footwear, long trousers, safety glasses and gloves.
- Keep anyone standing close by at a safe distance from the grass trimmer.
- Keep children and pets out of the work area. Stones and other debris can be ejected by the grass trimmer. Switch the grass trimmer off immediately should any onlookers, adults, children or pets, come within 5 metres.
- Only use the grass trimmer in good light conditions.
- If the grass trimmer has been subjected to any shocks or impacts it must be checked for damage. Any defect or damage must be repaired before the grass trimmer is used. Make sure the trimmer head is securely fastened on. If it is loose or damaged the grass trimmer must not be used.
- Always inspect the grass trimmer before use.
- The safety guard must always be fitted before the grass trimmer is used. The grass trimmer must not be used if the safety guard is damaged or missing.
- Before starting to use the grass trimmer, check the area to be trimmed for foreign objects such as stones or cables.
- Always hold the grass trimmer firmly. Hold it in both hands.
- Never attach metal cutting lines to this grass trimmer.
- Keep the ventilation openings of the trimmer head free from debris. Remove any grass or leaves.
- The line will continue to rotate after the motor has been turned off. Wait until the line has completely stopped before servicing.
- The grass trimmer must not be exposed to rain or moisture.
- Make sure that you are familiar with all the controls and settings before using the grass trimmer.
- Keep hands and feet away from the trimmer head and line at all times and especially when switching the motor on.
- Be careful when adjusting the trimmer line; do not switch the motor on until you are holding the grass trimmer in the correct way.
- Only use the grass trimmer with parts and accessories recommended by the manufacturer.
- Always remove the battery before inspecting, cleaning or adjusting the grass trimmer and when it is not in use.
- Keep proper footing and balance at all times.
- Avoid directing the trimmer head towards immovable objects when the trimmer head is spinning, as they could damage the grass trimmer.
- Do not attempt to stop the trimmer head with hands or feet, let it stop by itself.
- Avoid operating the grass trimmer on gravel paths, gravel covered yards or other places where stones could be ejected.

Grass trimmer symbol explanation



WARNING! Grass trimmers can be dangerous.



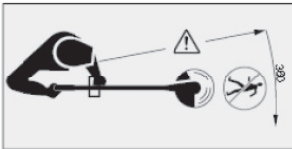
Read the instruction manual.



Do not expose the grass trimmer to rain or moisture.



Wear eye protection.



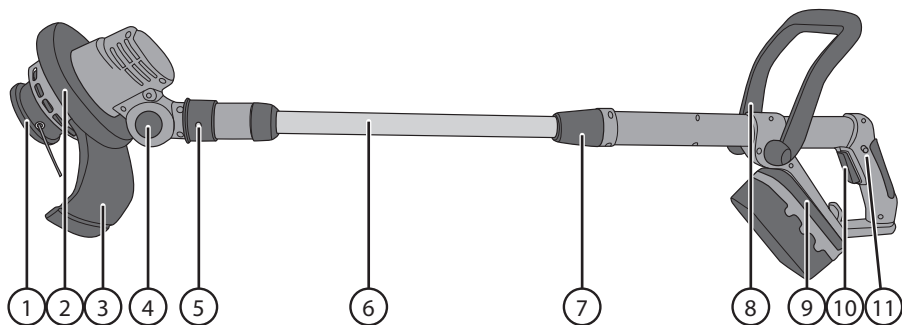
Keep all persons and animals at a safe distance from the grass trimmer.

Product description

31-1325 comes with a rechargeable 18 V battery pack and charger.

31-1326 comes without a battery pack or charger. It is the perfect complement to users already in possession of an 18 V LXC battery pack and charger.

The picture shows the assembled grass trimmer, parts 2 and 3 are not attached when sold.

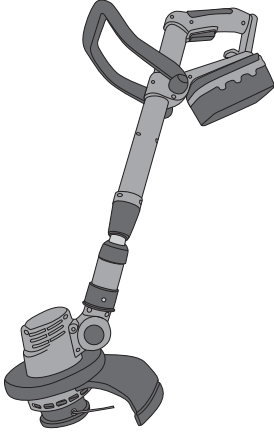


1. Trimmer head.
2. Edging wheel.
3. Safety guard.
4. Release button for adjusting the trimmer head angle to one of its 5 fixed positions.
5. Catch for twisting the trimmer head to one of its 3 fixed positions. Push the catch forward towards the trimmer head.
6. Telescopic handle.
7. Locking knob for adjusting the length of the telescopic shaft. Twist clockwise to unlock and anticlockwise to lock.
8. Adjustable front handle.
9. Battery holder for an LXC battery pack (battery only included with 31-1325).
10. [⏻] Trigger.
11. Safety switch for preventing unintentional operation. Hold the button in before pulling the trigger.

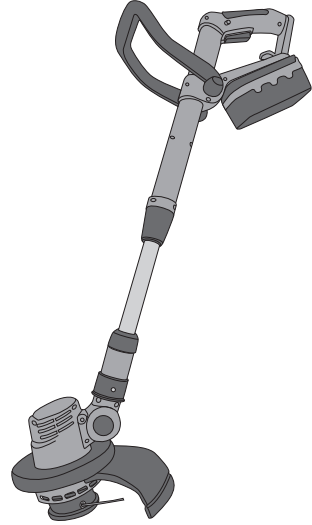
Assembly

Note: Remove the battery from the grass trimmer if one is fitted.

Note: When sold, the grass trimmer shaft is contracted to enable it to fit into the box. The first time the telescopic shaft is extended, it passes a non-return pawl creating a new end-stop. The shaft will then only be able to contract as far as the new end-stop.



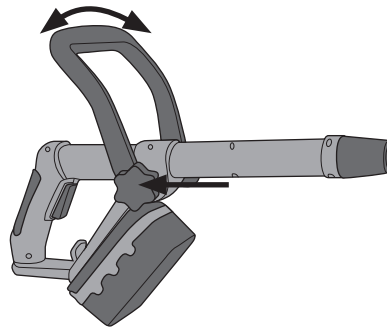
Retracted when sold



Max retracted length once having been extended

Front handle

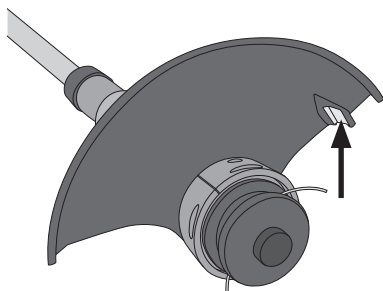
Attach the front handle to the shaft. The handle can be mounted so that it leans forwards or backwards. Tighten the handle locking knob.



Safety guard

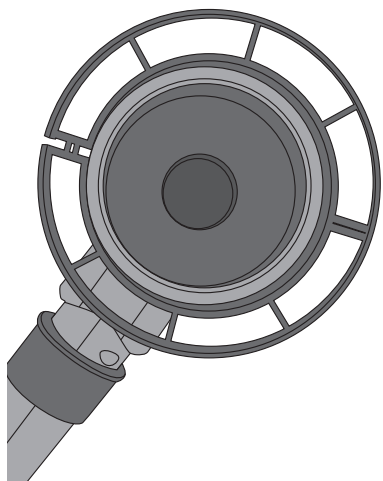
1. Push the safety guard (3) into the groove in the trimmer head (1).
2. Fasten the safety guard to the trimmer head using the included screw.

Note: Handle the guard carefully; it has a very sharp blade on it (indicated by the arrow).



Edging wheel

The grass trimmer comes with an edging wheel. It consists of two parts which click together to surround the trimmer head. It is used for trimming edges.



Charging

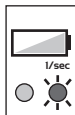
Charging the battery

Temperature range for charging and storing the battery: 0–40 °C.

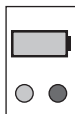
1. Remove the battery from the power tool by pressing the battery release button and sliding the battery out. If the battery feels very warm, as after hard use, allow it to cool properly before charging.
2. Connect the charger to a wall socket. The green LED will come on after a few seconds.
3. Insert the battery into the charger. Whilst the battery is charging, the green LED will shine steadily and the red LED will flash once per second. (Should the battery be fully charged when it is put into the charger, nothing will happen i.e. the green LED will keep shining steadily and the red LED will remain off).
4. When charging is complete, press the battery release catch and remove it from the charger.



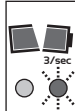
Steady green light and red off: Battery charger connected to the mains.



Steady green and flashing red (once per second): charging in progress.



Steady green and red: Charging complete (battery fully charged).



Steady green and red flashing bursts (three times per second): battery damaged, discontinue charging immediately.

Overload protection and other safety features

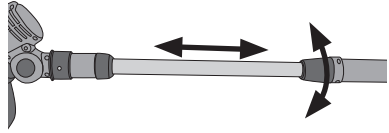
The machine/battery has a number of safety features that prevent damage to the machine and battery during use.

- During short high-load situations the overload protection may turn off the machine/battery. This protection resets automatically. Set the on/off switch to [I], wait a few seconds, ensure that there is no load and then restart the machine. The machine should now function normally again.
- During high-load for extended periods the overheating protection may turn off the machine/battery. The protection resets itself but the machine cannot be restarted until it has returned to normal operating temperature. Let the machine cool properly before trying to restart it. Adverse temperatures can occur in direct sunlight and should therefore be avoided.
- The battery has low-voltage protection which operates when the battery becomes discharged. The low-voltage protection turns off the machine automatically and the battery then needs to be recharged.

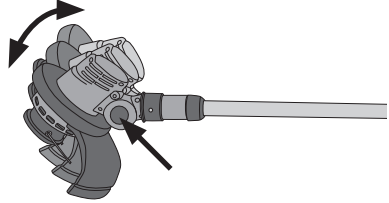
Operating instructions

Setup

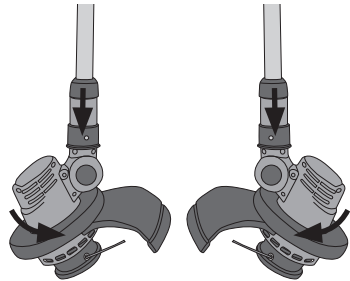
1. Adjust the length of the telescopic shaft (6) to suit your height. Twist the locking knob (7) clockwise to release the shaft, adjust the length and then twist the locking knob anticlockwise to tighten.



2. Adjust the angle of the trimmer head by holding in the button (4) and moving the head to one of the 5 settings. Release the button when the trimmer head is at the desired setting.



3. The trimmer head can be rotated and set to one of 3 fixed settings. Slide the spring-loaded catch (5) forward towards the trimmer head, twist the trimmer head into one of its fixed settings and then release the catch.



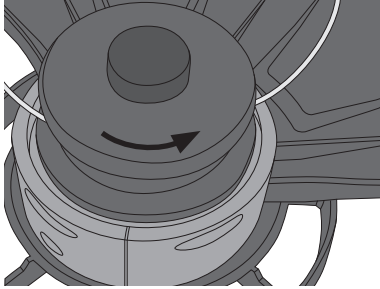
Switching the trimmer on

1. Hold down the safety switch (11) on the rear handle.
2. Start the trimmer by pressing in the power trigger (10).
3. Release the power trigger to stop the motor.

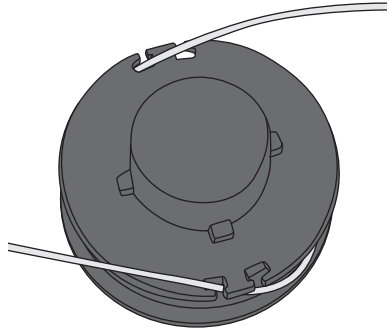
Care and maintenance

Note: Always remove the battery before cleaning, adjusting or transporting the tool.

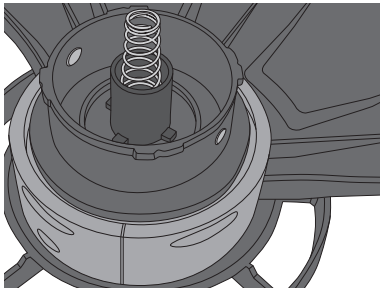
Changing the trimmer line



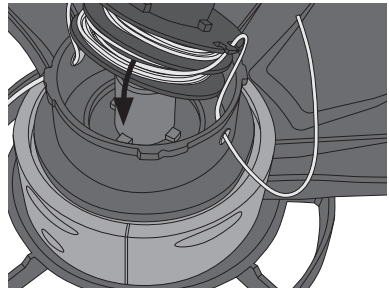
1. Open the trimmer head by twisting the bottom, "the cover", anticlockwise to remove it. The spool can then be removed. Take care not to lose the spring located under the spool.



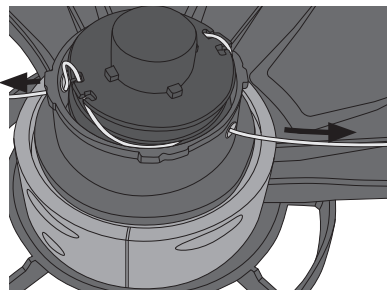
2. Take a new spool and line and make sure that the line passes through the notches in the spool and that the ends of the line stick out about 15 cm to make fitting easier.



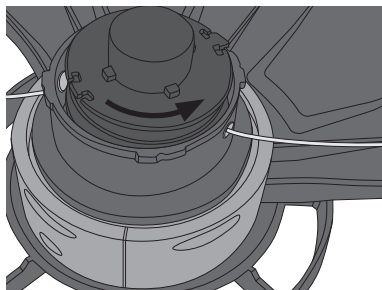
3. Place the spring in the trimmer head with the wider end at the bottom of the cylinder and the narrow end pointing up towards the spool.



4. Thread the ends of the line through the holes in the side of the trimmer head and place the spool on top of the spring in the trimmer head.

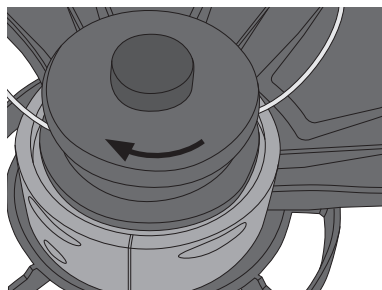


5. Pull gently on the ends of the line so that it comes out of the notches in the spool.



6. If there is an unnecessary length of line protruding from the spool, turn the spool anticlockwise to wind the line back onto the spool until only about 5–6 cm of line sticks out.

7. Refit the bottom cover, which has a bayonet fitting. Push it down whilst simultaneously twisting it clockwise until it won't turn any further.



Note: Wear safety glasses and make sure that there are no bystanders nearby when starting the grass trimmer after new line has been fitted because any excess cut off line will fly out at high speed.

- Check regularly to ensure that no grass and twigs have built up around the spindle.
- Check before each use that the power trigger and safety switch are undamaged and work correctly.
- Clean the exterior of the trimmer with a soft brush or cloth, do not use water, solvents or polish.
- Regularly remove all dirt, especially from around the motor ventilation slits on the trimmer head.
- Store the grass trimmer in a safe, dry place out of the reach of children.
- Store the battery at a temperature of 0–40 °C.
- For long-term storage the battery should be fully charged at least every 6 months.

Troubleshooting guide

Problem	Action
The tool does not start.	<ul style="list-style-type: none"> The battery is discharged or incorrectly fitted.
Poor battery operating time.	<ul style="list-style-type: none"> The battery is not fully charged. The battery needs replacing.
The battery does not charge.	<ul style="list-style-type: none"> The battery is not correctly inserted into the charger. The battery or charger contacts are dirty. The mains adaptor is not plugged in correctly. Check to see if there is power at the wall socket. The charger or its cable is damaged. The mains adaptor is defective. The battery needs replacing.

Disposal

This product should be disposed of in accordance with local regulations. If you are unsure what to do, contact your local authority.

Specifications

Grass Trimmer

Battery	LXC 18 V/1.5 Ah lithium-ion battery
No-load speed	8000 min ⁻¹
Operating time	25–40 min
Cutting diameter	230 mm
Strand diameter	1.2 mm
Sound pressure	LpA 72 dB(A), K: 3 dB
Sound power	LwA 93 dB(A) K: 3 dB
Vibration	Rear handle 6.531 m/s ² , K: 1.5 m/s ² Front handle 6.764 m/s ² , K: 1.5 m/s ²
Weight (incl. battery)	2 kg

Charger

Input	230 V AC, 50 Hz, 75 W
Output	18 V DC
Charging current	2.5 A
Charging time	40 min

Grästrimmer GT18

Art.nr 31-1325 Modell DCGT102B
31-1326 DCGT102

Läs igenom hela bruksanvisningen före användning och spara den sedan för framtida bruk. Vi reserverar oss för ev. text- och bildfel samt ändringar av tekniska data. Vid tekniska problem eller andra frågor, kontakta vår kundtjänst (se adressuppgifter på insidan av omslaget).

Innehållsförteckning

Säkerhet	18
Generella säkerhetsföreskrifter – EN 60745-1	18
Särskilda säkerhetsföreskrifter för grästrimmer	21
Förklaring av symbolerna på grästrimmern	22
Produktbeskrivning	23
Montering	24
Handtag.....	24
Skydd	25
Stödhjul.....	25
Laddning	25
Laddning av batteri.....	25
Överbelastning och skydd.....	26
Användning	27
Inställningar	27
Starta trimmern	27
Skötsel och underhåll	28
Byte av trimmertråd.....	28
Felsökningsschema.....	30
Avfallshantering	30
Specifikationer	30
Grästrimmer	30
Laddare.....	30

Säkerhet

Generella säkerhetsföreskrifter – EN 60745-1

Generella säkerhetsinstruktioner för elektriska handverktyg

Varning! Läs alla instruktioner. Om nedanstående instruktioner inte följs kan detta leda till elektrisk stöt, brand eller allvarlig skada.

SPARA DESSA INSTRUKTIONER.

Termen "elektriskt handverktyg" i varningstexten nedan refererar till ditt nätanslutna eller batteridrivna handverktyg.

1) Arbetsutrymmet

- a) **Håll arbetsutrymmet rent och väl upplyst.** Belamrade och mörka utrymmen inbjuder till olyckor.
- b) **Använd inte elektriska handverktyg i explosiva miljöer, som i närheten av lättantändliga vätskor, gaser eller damm.** Elektriska handverktyg genererar gnistor som kan antända damm eller ångor.
- c) **Håll undan barn och åskådare medan du använder det elektriska handverktyget.** Störningsmoment kan göra att du tappar kontrollen över verktyget.

2) Elektrisk säkerhet

- a) **Det elektriska handverktygets stickpropp måste passa i vägguttaget. Modifiera aldrig stickproppen på något vis. Använd aldrig adapter tillsammans med jordade elektriska handverktyg.** Omodifierade stickproppar och passande vägguttag minskar risken för elektrisk stöt.
- b) **Undvik kroppskontakt med jordade föremål, t.ex. rör, element, köksspis och kylskåp.** Det innebär ökad risk för elektrisk stöt om din kropp är jordad.
- c) **Utsätt inte det elektriska handverktyget för regn eller våta förhållanden.** Om vatten tränger in i ett elektriskt handverktyg ökar det risken för elektrisk stöt.
- d) **Misshandla inte nätsladden. Använd aldrig nätsladden för att bära, dra eller rycka stickproppen ur vägguttaget. Håll undan nätsladden från värme, olja, vassa kanter och rörliga delar.** Skadade eller trassliga nätsladdar ökar risken för elektrisk stöt.
- e) **När du använder ett elektriskt handverktyg utomhus, använd en skarvsladd anpassad för detta ändamål.** Användning av en skarvsladd för utomhusbruk minskar risken för elektrisk stöt.
- f) **Om det inte går att undvika att det elektriska handverktyget används i fuktig miljö, använd ett vägguttag utrustat med jordfelsbrytare.** Användning av jordfelsbrytare minskar risken för elektrisk stöt.

3) Personlig säkerhet

- a) **Var uppmärksam på vad du gör och bruka sunt förnuft när du använder ett elektriskt handverktyg. Använd inte ett elektriskt handverktyg om du är trött eller påverkad av droger, alkohol eller medicinering.** Ett ögonblicks uppmärksamhet när du använder ett elektriskt handverktyg kan resultera i allvarlig personskada.
- b) **Använd skyddsutrustning. Bär alltid skyddsglasögon.** Att vid behov använda skyddsutrustning, t.ex. andningsskydd, halksäkra skyddsskor, hjälm och hörselskydd, minskar risken för personskada.
- c) **Undvik oavsiktlig start. Se till att strömbrytaren är i läge OFF innan du ansluter stickproppen till vägguttaget, ansluter batteriet eller lyfter upp/bär det elektriska handverktyget.** Att bära ett elektriskt handverktyg med ett finger på strömbrytaren/avtryckaren eller att ansluta ett elektriskt handverktyg till elnätet när strömbrytaren är i läge ON inbjuder till olyckor.
- d) **Ta bort alla serviceverktyg/nycklar innan du slår på det elektriska handverktyget.** Ett kvarglömt serviceverktyg på en roterande del av det elektriska handverktyget kan resultera i personskada.
- e) **Sträck dig inte för långt. Se till att du står stadigt med god balans hela tiden.** Detta möjliggör bättre kontroll över det elektriska handverktyget i oväntade situationer.
- f) **Bär lämplig klädsel. Bär inte löst sittande kläder eller smycken. Håll undan hår, kläder och handskar från rörliga delar.** Lösa kläder, smycken och långt hår kan fastna i rörliga delar.
- g) **Om utrustning för utsugning och uppsamling av damm finns tillgänglig, se till att denna är ansluten och används på ett korrekt sätt.** Användning av dessa hjälpmedel kan minska dammrelaterade faror.

4) Användning och underhåll av det elektriska handverktyget

- a) **Pressa inte det elektriska handverktyget. Använd ett elektriskt handverktyg som är avsett för det arbetsmoment du utför.** Korrekt elektriskt handverktyg gör jobbet bättre och säkrare med avsedd matningshastighet.
- b) **Använd inte det elektriska handverktyget om strömbrytaren inte slår på och stänger av verktyget.** Alla elektriska handverktyg som inte kan kontrolleras med strömbrytaren är farliga och måste repareras.
- c) **Ta stickproppen ur vägguttaget eller ta ur batteriet innan du utför några justeringar, byter tillbehör eller lägger undan det elektriska handverktyget för förvaring.** Dessa förebyggande skyddsåtgärder minskar risken för att starta det elektriska handverktyget oavsiktligt.
- d) **Förvara elektriska handverktyg som inte används utom räckhåll för barn och låt inte personer som inte är förtrogna med det elektriska handverktyget eller dessa instruktioner använda det.** Elektriska handverktyg är farliga om de kommer i händerna på ovana användare.

- e) **Underhåll elektriska handverktyg. Kontrollera om något är felinställt, om rörliga delar kärvar, om delar har gått sönder eller om något annat har inträffat som kan påverka funktionen hos det elektriska handverktyget. Om något är skadat måste det repareras före användning.** Många olyckor beror på dåligt underhållna elektriska handverktyg.
- f) **Håll skärverktyg vassa och rena.** Ordentligt underhållna skärverktyg med vassa eggar är mindre benägna att kärva och lättare att kontrollera.
- g) **Använd det elektriska handverktyget, tillbehör etc. enligt dessa instruktioner, ta hänsyn till arbetsförhållanden och till det arbete som ska utföras.** Användning av det elektriska handverktyget för andra arbeten än vad det är ämnat för kan resultera i en farlig situation.
- 5) *Användning och skötsel av sladdlösa elektriska handverktyg*
- a) **Ladda endast med en av tillverkaren specificerad laddare.** En laddare som är avsedd för en typ av batteripack kan skapa brandfara om den används till en annan typ av batteripack.
- b) **Använd endast sladdlösa elektriska handverktyg med batteripack som är speciellt anpassade.** Användning av andra batteripack kan skapa risk för skada och brand.
- c) **När inte batteripacken används ska den hållas undan från metallföremål som gem, mynt, nycklar, spikar, skruvar eller andra metallföremål som kan kortsluta batteripackens kontakter.** Kortslutning av batteriets poler kan medföra brännskada eller brand.
- d) **Om batteripacken misshandlas kan vätska läcka ut från batteripacken; undvik kontakt med vätskan. Om du trots allt kommer i kontakt med den, spola med vatten. Om vätskan kommer i kontakt med ögonen, sök medicinsk hjälp.** Vätska som har läckt ut från batteripacken kan orsaka irritation eller brännskada.
- 6) *Service*
- a) **Låt behörig personal utföra service och reparationer, och endast med originalreservdelar.** Detta garanterar att säkerheten hos det elektriska handverktyget behålls.

Särskilda säkerhetsföreskrifter för grästrimmer

- Grästrimmern får inte användas av personer (inklusive barn) med begränsad fysisk, sensorisk eller psykisk förmåga eller som saknar erfarenhet/kunskap om grästrimmerns användningssätt samt risker, undantaget om personen handleds och undervisas av en person som ansvarar för personens säkerhet.
- Låt aldrig barn använda eller leka med grästrimmern, förvara grästrimmern utom räckhåll för barn.
- Bär alltid kraftiga skor och långa byxor samt skyddsglasögon och handskar.
- Håll personer som står i närheten på betryggande avstånd från grästrimmern.
- Se till att inga barn eller husdjur uppehåller sig i närheten. Stenar och andra föremål kan kastas iväg. Stäng genast av grästrimmern om någon vuxen, barn eller husdjur uppehåller sig närmare än 5 meter.
- Använd endast grästrimmern vid bra ljusförhållanden.
- Om grästrimmern har varit utsatt för stöt eller slag måste den kontrolleras beträffande skador, den måste då repareras före användning. Om trimmerhuvudet sitter löst eller är skadat får inte grästrimmern användas.
- Kontrollera grästrimmerns funktion före användning.
- Skyddet ska alltid vara monterat vid användning av grästrimmern. Grästrimmern får inte användas om skyddet är trasigt.
- Kontrollera före användning att det inte finns några stenar, kablar, rep eller andra främmande föremål i området som ska trimmas.
- Håll alltid grästrimmern stadigt. Håll den i båda handtagen.
- Montera aldrig skärande verktyg av metall.
- Håll rent runt motorns kylloppningar på trimmerhuvudet. Ta bort gräs och löv.
- Kniven fortsätter att snurra efter att motorn stängts av. Vänta tills den har stannat helt före service etc.
- Grästrimmern får inte utsättas för regn eller hög luftfuktighet.
- Se till att du känner till hur alla reglage och inställningar fungerar före användning.
- Håll undan händer och fötter från trimmerhuvudet och trimmertråden, särskilt när motorn startas.
- Var försiktig vid justering av trimmertråd, starta inte motorn förrän du håller i grästrimmern på rätt sätt.
- Grästrimmern får endast användas tillsammans med tillbehör som rekommenderas av tillverkaren.
- Ta alltid bort batteriet före kontroll, rengöring eller justering samt när grästrimmern inte används.
- Se till att du står stadigt när du använder grästrimmern.
- Undvik att rikta trimmerhuvudet mot fasta föremål när trimmerhuvudet snurrar, annars kan grästrimmern skadas.
- Försök inte att stoppa skärhuvudet med händer eller fötter, låt det alltid stanna av sig självt.
- Undvik att använda grästrimmern i närheten av grusvägar, gård med grusbeläggning eller annan plats där stenar kan kastas iväg.

Förklaring av symbolerna på grästrimmern



Allmänna varningar för riskmoment.



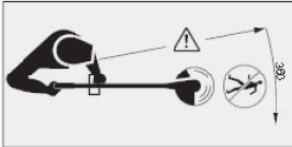
Läs bruksanvisningen.



Utsätt inte grästrimmern för regn eller fukt.



Använd skyddsglasögon.



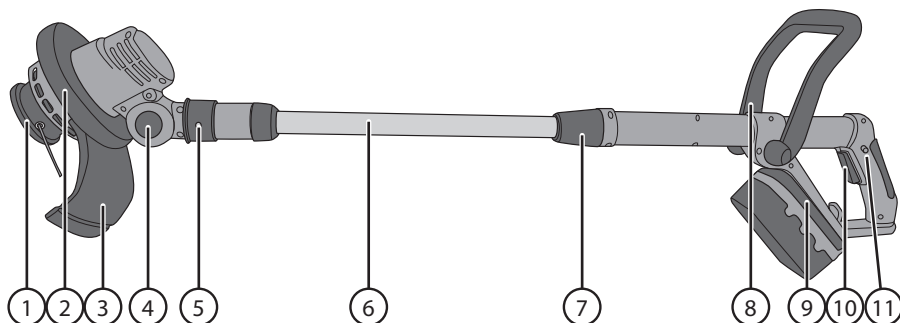
Håll andra personer på betryggande avstånd från grästrimmern.

Produktbeskrivning

31-1325 Levereras komplett med 18 V-batteri och laddare.

31-1326 Levereras som tillbehör till dig som redan har 18 V LXC-batteri och laddare (batteri och laddare säljs separat).

Bilden visar grässtrimmern monterad, 2 och 3 är inte monterade vid leverans.

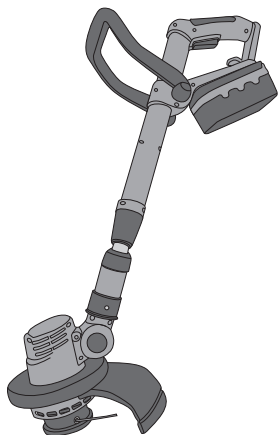


1. Trimmerhuvud.
2. Stöd hjul.
3. Skydd.
4. Spärr för justering av trimmerhuvudets vinkel i 5 fasta lägen.
5. Spärr för vridning av trimmerhuvudet i 3 fasta lägen. Tryck spärren framåt mot trimmerhuvudet.
6. Teleskopskaft.
7. Låsvred för justering av teleskopskaftets längd. Vrid medurs för att öppna och moturs för att låsa.
8. Justerbart främre handtag.
9. Batterihållare för LXC-batteri (batteri medföljer endast 34-1325).
10. [⏻] Strömbrytare.
11. Säkerhetsspärr för att förhindra oavsiktlig start. Håll in knappen innan strömbrytaren trycks in.

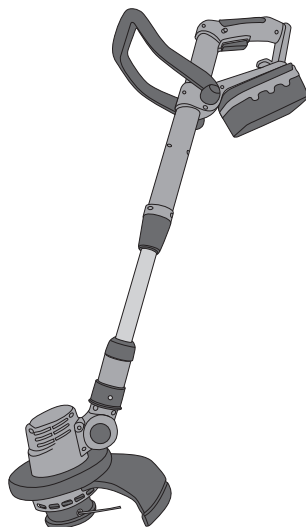
Montering

Obs! Ta bort batteriet från grästrimmern om det är monterat.

Obs! Vid leverans är grästrimmern extra hopskjuten, men detta är endast ett leveransläge för att den ska få plats i förpackningen, när man drar ut teleskopskaftet första gången klickar ett nytt ändläge in och grästrimmern kan nu endast skjutas ihop till detta nya ändläge.



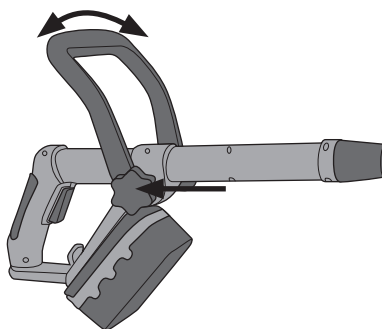
Hopskjuten vid leverans



Max hopskjuten efter att teleskopskaftet dragits ut en gång

Handtag

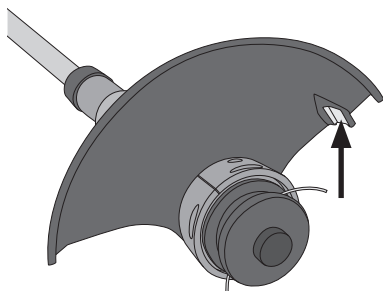
Placera handtaget på trimmern (handtaget går att vända så att det lutar framåt eller bakåt). Dra åt med vredet.



Skydd

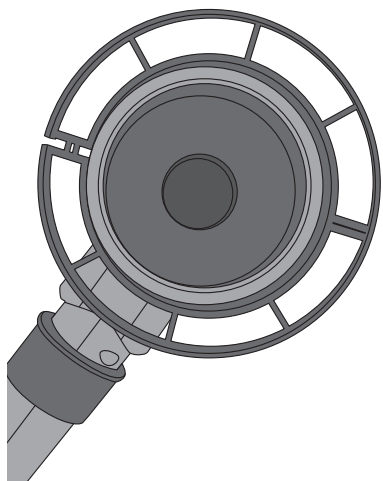
1. Tryck in skyddet (3) i urtagen i trimmerhuvudet (1).
2. Skruva fast skyddet på trimmerhuvudet med den bifogade skruven.

Obs! Var försiktig, det finns en mycket vass kniv på skyddet (vid pilen).



Stödhjul

En stödhjul (2) medföljer. Den består av två delar som trycks ihop runt trimmerhuvudet. Den används vid kantrimning.

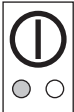


Laddning

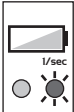
Laddning av batteri

Temperaturintervall för laddning och förvaring av batteri: 0–40 °C.

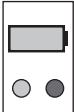
1. Ta bort batteriet från maskinen genom att trycka in batterilåset och dra ur batteriet. Om batteriet är mycket varmt efter t.ex. hård belastning ska det svalna innan laddningen påbörjas.
2. Anslut laddaren till ett vägguttag. Den gröna lysdioden tänds efter några sekunder.
3. Placera batteriet i laddaren. Den gröna lysdioden lyser med fast sken och den röda lysdioden blinkar en gång per sekund under laddningen. (Skulle batteriet vara fulladdat när det stoppas i laddaren händer ingenting, dvs. den gröna lysdioden fortsätter att lysa med fast sken och den röda förblir släckt).
4. När laddningen är klar, tryck ner spärren på batteriet och dra det ur laddaren.



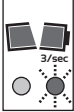
Fast grönt och släckt rött sken: batteriladdaren är ansluten till elnätet.



Fast grönt och blinkande (en gång per sekund) rött sken: laddning pågår.



Fast grönt och rött sken: laddning klar (batteriet fulladdat).



Fast grönt och blinkande (tre gånger per sekund) rött sken: skadat batteri, avbryt laddningen omedelbart.

Överbelastning och skydd

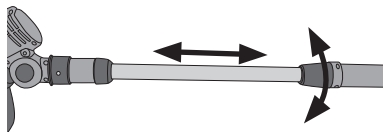
Maskinen/batteriet har ett antal skydd för att undvika skada på maskin och batteri.

- Vid kortvarig hög belastning kan överbelastningsskyddet stänga av maskinen/batteriet. Skyddet är självåterställande. Slå av strömbrytaren och vänta några sekunder, se till att maskinen är utan belastning och starta den på nytt. Maskinen ska nu fungera normalt igen.
- Vid hög belastning under längre tid kan ett överhettningsskydd stänga av maskinen/batteriet. Skyddet är självåterställande men maskinen går inte att starta förrän temperaturen sjunkit till en säker nivå. Låt maskinen/batteriet svalna innan du försöker starta. Skadliga temperaturer kan även uppstå vid direkt solljus, vilket ska undvikas.
- Batteriet har ett underspänningsskydd vilket träder in när batteriet blir urladdat. Underspänningsskyddet stänger då av maskinen automatiskt och batteriet måste laddas.

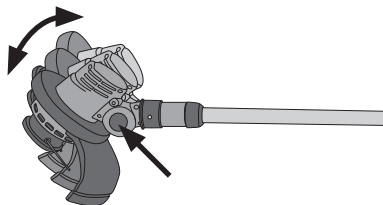
Användning

Inställningar

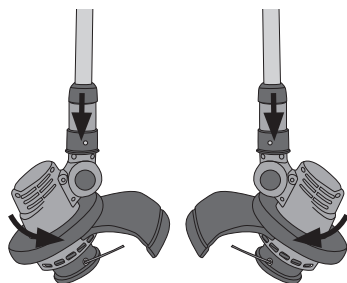
1. Justera grästrimmerns teleskopskaft (6) till önskad längd. Öppna låsvredet (7) medurs, ställ in önskad längd och stäng låset moturs.



2. Justera trimmerhuvudets vinkel genom att hålla in knappen (4) och vrida det till ett av de 5 fasta lägena. Släpp knappen i önskat läge.



3. Trimmerhuvudet går att vrida och kan ställas in i 3 fasta lägen. Tryck spärren (5) framåt mot trimmerhuvudet, vrid till ett fast läge och släpp sedan spärren.



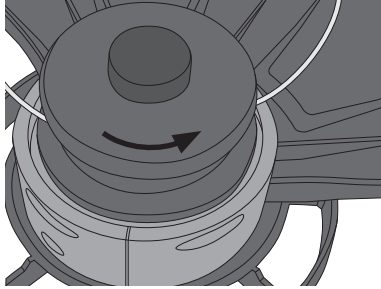
Starta trimmern

1. Tryck och håll in säkerhetsspärren (11) på det bakre handtaget.
2. Tryck sedan in strömbrytaren (10) för att starta motorn.
3. Släpp strömbrytaren för att stoppa motorn.

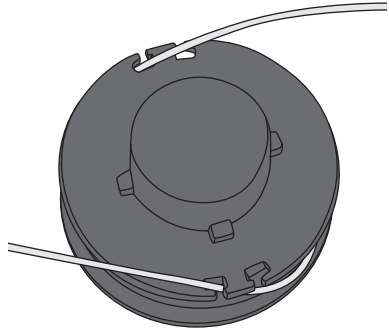
Skötsel och underhåll

Obs! Ta alltid bort batteriet före skötsel och transport samt innan underhåll utförs på verktyget.

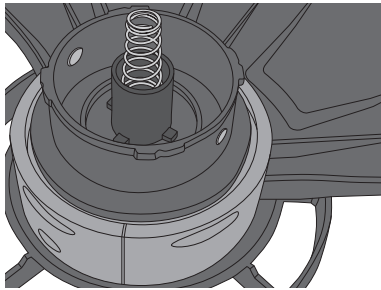
Byte av trimmertråd



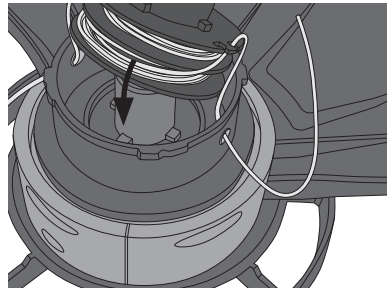
1. Öppna trimmerhuvudet genom att vrida underdelen, "locket", moturs och ta av det. Nu kan trådkassetten tas ur. Se dock till att inte tappa fjädern som sitter under trådkassetten och fjädern.



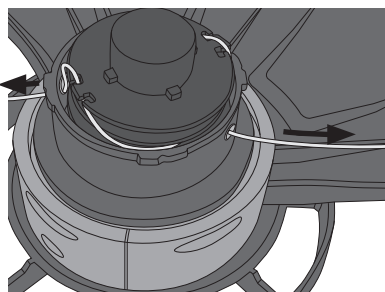
2. Ta den nya trådkassetten och se till att trådarna är fixerade i urtagen på trådkassetten och att längden på tråden är ca 15 cm för att underlätta monteringen.



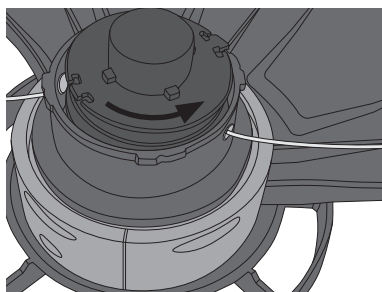
3. Placera fjädern i tråd huvudet med den breda delen av fjädern ner i tråd huvudet och den smala delen upp mot trådkassetten.



4. Ta sedan trådkassetten och trä trådarna igenom respektive hål i tråd huvudet och lägg ner trådkassetten i tråd huvudet.

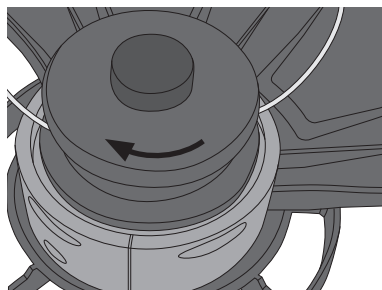


5. Ta nu och dra lite i båda trådarna så att båda trådarna dras loss från urtagen i trådkassetten.



6. Är det nu onödigt mycket tråd ute kan trådkassetten vridas moturs för att tråden ska rullas upp på trådkassetten tills det är ca 5–6 cm tråd kvar ute.

7. Sätt nu tillbaka underdelen, "locket", som har bajonettfäste. Vrid den medurs samtidigt som den trycks ner lite och fortsatt vrid tills det tar stopp.



OBS! Använd skyddsglasögon och se till att ingen är i närheten vid första start efter trådbytet då överflödig tråd klipps av och kan flyga iväg.

- Kontrollera regelbundet att inte gräs, kvistar o.d. fastnat runt motoraxeln.
- Kontrollera före varje användningstillfälle att strömbrytaren och säkerhetsspärrarna är oskadade och fungerar på rätt sätt.
- Rengör verktyget utvändigt med en mjuk borste eller trasa, använd inte vatten, lösningsmedel eller polermedel.
- Avlägsna regelbundet all smuts, speciellt från motors ventilationsöppningar på trimmerhuvudet.
- Förvara grästrimmern på ett säkert och torrt ställe, utom räckhåll för barn.
- Förvara batteriet i utrymme med temperatur 0–40 °C.
- Vid långtidsförvaring ska batteriet laddas upp fullt minst var 6:e månad.

Felsökningsschema

Problem	Åtgärd
Verktyget startar inte.	<ul style="list-style-type: none"> Batteriet är urladdat eller inte monterat på rätt sätt.
Dålig batteritid.	<ul style="list-style-type: none"> Batteriet är inte fulladdat. Batteriet behöver bytas ut.
Batteriet laddas inte.	<ul style="list-style-type: none"> Batteriet sitter inte ordentligt monterat i laddaren. Batteriets eller laddarens kontakter är smutsiga. Nätadaptern sitter inte ordentligt i vägguttaget. Kontrollera att det finns ström i vägguttaget. Laddaren eller dess kabel är skadad. Nätadaptern är skadad. Batteriet behöver bytas ut.

Avfallshantering

När du ska göra dig av med produkten ska detta ske enligt lokala föreskrifter. Är du osäker på hur du ska gå tillväga, kontakta din kommun.

Specifikationer

Grästrimmer

Batteri	LXC 18 V/1,5 Ah litiumjonbatteri
Varvtal obelastad	8000 v/min
Arbetstid	25–40 min
Klippdiameter	230 mm
Tråddiameter	1,2 mm
Ljudnivå	LpA 72 dB(A), K: 3 dB LwA 93 dB(A), K: 3 dB
Vibration	Bakre handtag 6,531 m/s ² , K: 1,5 m/s ² Främre handtag 6,764 m/s ² , K: 1,5 m/s ²
Vikt med batteri	2 kg

Laddare

Inspänning	230 V AC, 50 Hz, 75 W
Utspänning	18 V DC
Utgående laddström	2,5 A
Laddtid	40 min

Gresstrimmer LXC GT18

Art.nr. 31-1325 Modell DCGT102B
31-1326 DCGT102

Les brukerveiledningen grundig før produktet tas i bruk og ta vare på den for framtidig bruk. Vi reserverer oss mot ev. feil i tekst og bilde, samt forandringer av tekniske data. Ved tekniske problemer eller andre spørsmål, ta kontakt med vårt kundesenter (se opplysninger om adresser på innsiden av omslaget).

Innholdsfortegnelse

Sikkerhet	32
Generelle sikkerhetsinstrukser - EN 60745-1	32
Spesielle sikkerhetsforskrifter for gresstrimmere.....	35
Forklaring av symbolene på gresstrimmeren.....	36
Produktbeskrivelse	37
Montering	38
Håndtak.....	38
Beskyttelsesdeksel	39
Støttehjul	39
Lading	39
Lading av batteri.....	39
Overbelastning og beskyttelse.....	40
Bruk	41
Innstillinger	41
Start trimmeren	41
Stell og vedlikehold	42
Skifte av trimmertråd	42
Feilsøking	44
Avfallshåndtering.....	44
Spesifikasjoner.....	44
Gresstrimmer.....	44
Lader	44

Sikkerhet

Generelle sikkerhetsinstruksjoner - EN 60745-1

Generelle sikkerhetsinstruksjoner for elektrisk håndverktøy

Advarsel! Les gjennom hele brukerveiledningen. Hvis ikke veiledningene følges, kan dette føre til elektrisk støt, brann og/eller andre alvorlige skader.

TA VARE PÅ DENNE VEILEDNINGEN.

Med «elektrisk håndverktøy» i den følgende teksten menes verktøy som enten er koblet til strømnettet eller er batteridrevne.

1) Arbeidsplassen

- a) **Hold arbeidsplassen ren, ryddig og godt opplyst.** Rot og dårlig opplyst arbeidsplass kan forårsake ulykker.
- b) **Ikke bruk elektriske håndverktøy i eksplosjonsfarlige omgivelser, som for eksempel nær lettantennelige væsker, gasser eller mye støv.** Elektrisk håndverktøy kan danne gnist, som igjen kan antenne støv og trespon.
- c) **Hold barn og andre tilskuere på god avstand når du bruker elektriske håndverktøy.** Forstyrrelser kan føre til at man mister kontrollen over verktøyet.

2) Sikkerhet ved bruk av elektrisk strøm

- a) **Støpselet til det elektriske verktøyet må passe i strømuttaket. Støpselet må ikke endres på. Bruk aldri adapter sammen med elektrisk håndverktøy som krever jording.** Ved bruk av originale støpsler reduseres faren for elektrisk støt.
- b) **Unngå kroppskontakt med jordede gjenstander, som rør, ovner, komfyrer, kjøleskap etc.** Kroppskontakt med disse øker faren for elektrisk støt.
- c) **Elektrisk håndverktøy må ikke utsettes for regn eller fuktighet.** Hvis det kommer vann inn i et elektrisk håndverktøy, øker faren for elektrisk støt.
- d) **Påse at ikke strømledningen blir skadet. Bær aldri verktøyet i strømledningen. Trekk heller ikke i strømledningen når støpselet skal tas ut av strømuttaket. Hold ledningen unna varme, olje, skarpe kanter og bevegelige deler.** Skadede eller deformerte ledninger kan øke faren for elektrisk støt.
- e) **Ved bruk av elektrisk håndverktøy utendørs, skal man benytte en skjoteledning som er beregnet til dette formålet.** Når skjoteledning som er beregnet for utendørs bruk benyttes, reduseres faren for elektrisk støt.
- f) **Hvis håndverktøyet må brukes i fuktige omgivelser må strømuttaket være utstyrt med jordfeilbryter.** Bruk av jordfeilbryter reduserer faren for elektrisk støt.

3) *Personlig sikkerhet*

- a) Vær våken og bruk sunn fornuft når du bruker et elektrisk verktøy. **Ikke bruk elektriske håndverktøy når du er trett eller påvirket av rusmidler, alkohol eller sterke medisiner.** Når du bruker elektrisk håndverktøy kan et lite øyeblikks uoppmerksomhet resultere i store personskader.
- b) Bruk verneutstyr. **Benytt alltid vernebriller.** Verneutstyr som støvmaske, sklislisikre såler på skoene, hjelm og hørselsvern, reduserer faren for personskade.
- c) Unngå uønsket oppstart. **Pass på at strømbryteren er innstilt på OFF før støpselet kobles til et strømuttak, kobler til batteriet eller løfter/bærer det elektriske håndverktøyet.** Det å bære et elektrisk håndverktøy med en finger på strømbryteren/avtrekkeren eller å koble det til strømmettet når strømbryteren er innstilt på ON kan føre til skader.
- d) Fjern alle nøkler/serviceverktøy før det elektriske håndverktøyet startes. Et gjenglemt serviceverktøy på en roterende del, kan forårsake personskader.
- e) Strekk deg ikke for langt. **Påse på at du står stødig og har god balanse i kroppen under hele arbeidsoperasjonen.** Dette gjør at man har bedre kontroll over verktøyet i de fleste situasjoner.
- f) Benytt fornuftige arbeidsklær. **Ikke bruk løstsittende klær og smykker. Ikke bruk løstsittende klær og smykker.** Løstsittende klær, smykker eller langt hår, kan feste seg i bevegelige deler.
- g) Hvis det er mulig å koble til en støvsamler/støvsuger, bør dette gjøres. Ved bruk av slike hjelpemidler, kan en redusere faren for støvrelaterte skader og ulykker.

4) *Bruk og vedlikehold av det elektriske håndverktøyet*

- a) **Ikke press det elektriske håndverktøyet. Bruk elektriske håndverktøy som er beregnet til den arbeidsoperasjonen du skal utføre.** Riktig hastighet på matingen er viktig for å utføre bedre og sikrere arbeid.
- b) **Ikke bruk det elektriske håndverktøyet dersom det er feil på strømbryteren og den ikke skrur verktøyet på/av med din kontroll.** Alle elektriske håndverktøy, som ikke kan kontrolleres med en strømbryter, er farlige og må repareres.
- c) **Trekk ut støpselet før justeringer utføres, ved skifte av tilbehør eller når verktøyet legges til oppbevaring.** Dette for å unngå at elektrisk håndverktøy får en ukontrollert start.
- d) **Oppbevar elektrisk håndverktøy utilgjengelig for barn. Påse også at elektrisk håndverktøy er utilgjengelig for personer som ikke har fått tilstrekkelig opplæring på eller er fortrolig med verktøyet.** Elektrisk håndverktøy kan være farlige dersom de kommer i hendene på ukyndige.

- e) **Hold det elektriske håndverktøyet ved like. Kontroller at verktøyet ikke er feilinnstilt, at bevegelige deler ikke beveger seg usymmetrisk, at ingen deler er skadet eller at det elektriske håndverktøyet har andre feil som kan påvirke dets funksjon. Dersom noe er skadet må dette repareres før verktøyet tas i bruk.** Mange ulykker skyldes dårlig eller manglende vedlikehold.
 - f) **Hold verktøyene skarpe og rene. Påse også at det elektriske verktøyet holdes skarpt.** Godt vedlikeholdt skjæreverktøy, med skarpe egger, er lettere å kontrollere.
 - g) **Bruk håndverktøyet og tilbehøret som beskrevet i instruksjonene. Ta hensyn til arbeidsforholdene og det arbeidet som skal utføres.** Bruk av elektrisk håndverktøy til andre arbeidsoperasjoner enn det som det er beregnet til, kan skape farlige situasjoner.
- 5) *Bruk og håndtering av elektrisk håndverktøy uten ledning/kabel*
- a) **Bruk kun ladere som er anbefalt av produsenten.** Ladere beregnet for en spesiell batteripakke, men som blir brukt til lading av andre type utgjør fare for brann.
 - b) **Bruk kabelfrie elektriske håndverktøy kun med batterier som er beregnet for disse.** Bruk av feil batteritype utgjør en fare for brann og skader.
 - c) **Batteripakker som ikke er i bruk må holdes unna binders, mynter, nøkler, spikre, skruer og andre metallgjenstander som kan kortslutte batteripakkens kontakter.** Kortslutning av batteripolene kan føre til brann eller brannskader.
 - d) **Hvis batteripakken behandles feil kan væsken inni den lekke ut. I så tilfelle må man unngå kontakt med denne væsken. Hvis du ved et uhell skulle komme i kontakt med batterisyren må du straks skylle deg med vann. Dersom syren kommer i kontakt med øynene, må lege oppsøkes.** Batterisyre kan føre til irritasjon eller brannskade.
- 6) *Service*
- a) **La profesjonelle fagfolk utføre service og reparasjoner. Benytt kun originale reservedeler.** Dette for å opprettholde sikkerheten ved bruk av det elektriske håndverktøyet.

Spesielle sikkerhetsforskrifter for gresstrimmere

- Gresstrimmeren må ikke benyttes av personer (inkl. barn) med begrenset fysisk, sansemessig eller psykisk hemming eller som mangler erfaring og kunnskap om hvordan trimmeren skal brukes dersom disse ikke har fått veiledning i bruk av produktet av en person som har ansvar for brukerens sikkerhet.
- La aldri barn bruke eller leke med gresstrimmeren. Trimmeren bør oppbevares utenfor barns rekkevidde.
- Bruk alltid kraftige sko, langbukser, vernebriller og arbeidshansker når du bruker trimmeren.
- Sørg for at personer som oppholder seg i nærheten, er betryggende avstand fra arbeidsområdet.
- Pass på at barn eller husdyr kommer for nær. Steiner og andre gjenstander kan slynges ut fra trimmeren. Skru av gresstrimmeren umiddelbart hvis noen (mennesker eller husdyr) kommer nærmere arbeidsområdet enn 5 meter.
- Gresstrimmeren må kun brukes under gode lysforhold.
- Hvis produktet har vært utsatt for støt eller slag må man sjekke om det har blitt skadet. I så tilfelle må skadene utbedres før produktet tas i bruk igjen. Dersom trimmerhodet sitter løst eller er skadet må ikke gresstrimmeren brukes.
- Kontroller gresstrimmerens funksjoner før bruk.
- Dekselet må alltid være montert på trimmeren mens den er i bruk. Gresstrimmeren må ikke benyttes hvis dekselet er ødelagt.
- Kontroller at det ikke ligger uønskede gjenstander, som leker, steiner, ledninger etc., i arbeidssonen før du starter trimmingen.
- Sørg for å holde gresstrimmeren med et godt grep. Hold i begge håndtakene.
- Monter aldri skjæreverktoy av metall på trimmeren.
- Hold alle ventilåpninger åpne. Fjern gress og løv fortløpende.
- Skjæretråden fortsetter å snurre rundt en stund etter at motoren er skrudd av. Vent med service etc. til den har stoppet helt.
- Gresstrimmeren må ikke utsettes for regn eller fuktighet.
- Gjør deg godt kjent med brytere og innstillinger før bruk.
- Hold hender og føtter unna trimmerhodet og tråden. Vær ekstra på pass ved oppstart av motoren.
- Vær varsom ved justering av trimmertråd. Motoren må ikke startes før tråden ligger riktig.
- Gresstrimmeren skal kun brukes med utstyr anbefalt av produsent.
- Koble alltid fra batteriet før kontroll, rensing, rengjøring eller justering. Batteriet skal også kobles fra når trimmeren ikke er i bruk.
- Pass på å ha en stabil og stødig arbeidsstilling når du jobber med trimmeren.
- Unngå å vende trimmerhodet mot faste ting når det snurrer rundt. Det kan skade gresstrimmeren.
- Skjærehodet må stoppe av seg selv og ikke med hjelp av hender eller føtter.
- Unngå bruk av trimmeren nær grusganger og andre plasser med løsmasser. Dette kan slynges ut og gjøre skade.

Forklaring av symbolene på gresstrimmeren



Generelle advarsler.



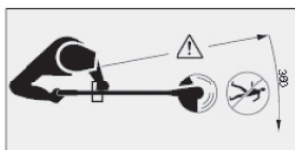
Les bruksanvisningen.



Utsett ikke gresstrimmeren for regn eller fuktighet.



Bruk vernebriller.



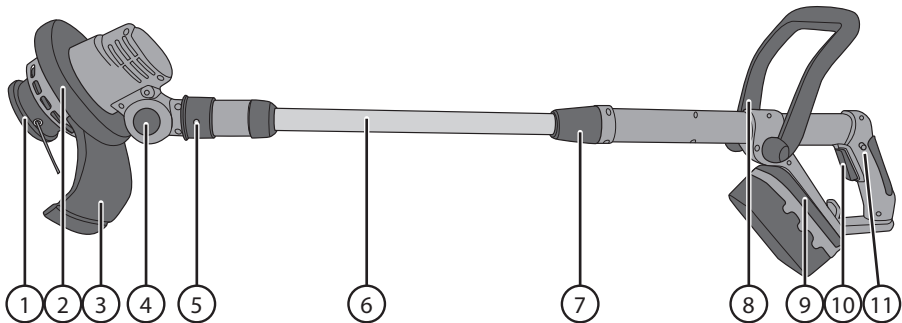
Hold andre personer på trygg avstand fra maskinen.

Produktbeskrivelse

31-1325 Leveres komplett med 18 V-batteri og lader.

31-1326 Leveres som tilbehør til deg som allerede har 18 V LXC-batteri og lader (batteri og lader følger ikke med her).

Bildet viser gresstrimmeren ferdig montert. Delene 2 og 3 er ikke montert på ved levering.

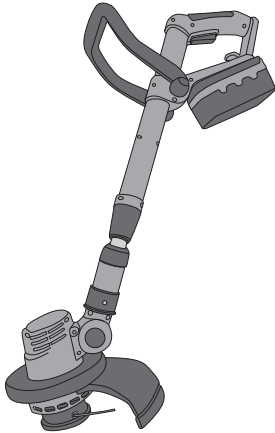


1. Trimmerhode.
2. Støttehjul.
3. Deksel.
4. Sperre for justering av trimmerhodets vinkel i 5 forskjellige posisjoner.
5. Sperre for dreining av trimmerhodet i 3 posisjoner. Trykk sperren framover mot trimmerhodet.
6. Teleskopskaft.
7. Lås for justering av teleskopskaftets lengde. Drei medurs for å åpne og moturs for å låse.
8. Justerbart håndtak, fremre.
9. Batteriholder for LXC-batteri (batteri følger kun med til artikkel 34-1325).
10. [⏻] Strømbryter.
11. Sikkerhetssperre for å hindre uønsket oppstart. Holdes inne når strømbryteren trykkes inn.

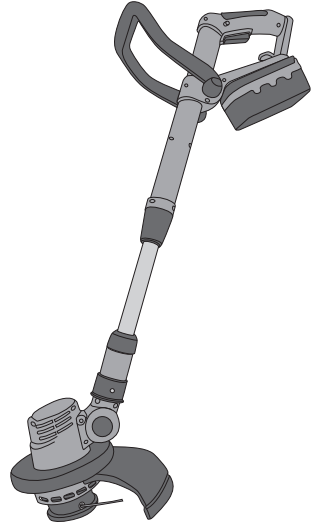
Montering

Obs! Ta batteriet ut av gresstrimmeren.

Obs! Gresstrimmeren er skjøvet helt sammen ved levering. Det er fordi den skal være enkel å transportere. Når man trekker ut teleskopskaftet for første gang vil det feste seg til en ny endeposisjon. Etter dette kan ikke trimmeren skyves lengre sammen enn til denne posisjonen.



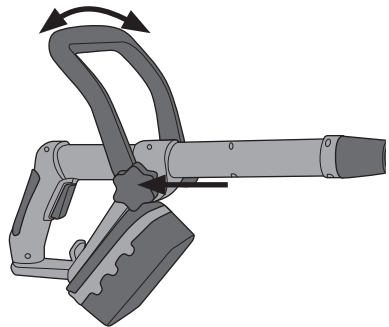
Sammenfelt ved levering



Maks sammenfelt etter at teleskopskaftet er trukket ut en gang

Håndtak

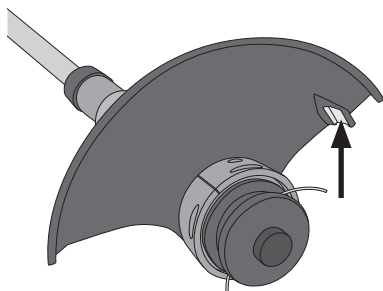
Plasser håndtaket på trimmeren. Håndtaket kan monteres på to måter: enten sånn at det heller framover eller bakover. Dra til med låserattet.



Beskyttelsesdeksel

1. Trykk dekselet (3) inn i uttaket på trimmerhodet (1).
2. Skru fast beskyttelsesdekselet på trimmerhodet med den medfølgende skruen.

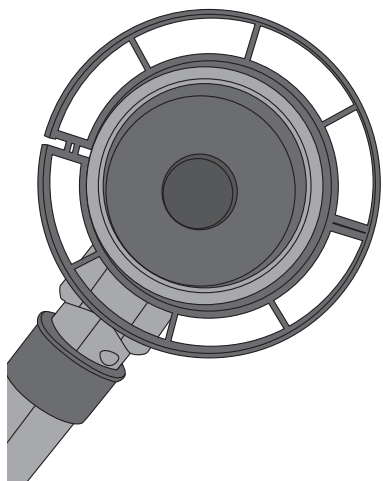
Obs! Vær forsiktig med den skarpe kniven som sitter på dekselet (ved pilen).



Støttehjul

Leveres med et støttehjul (2). Dette består av to deler. Disse trykkes sammen rundt trimmerhodet.

Det brukes ved kantklipping.

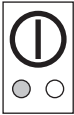


Lading

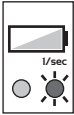
Lading av batteri

Ideell temperatur ved lading og oppbevaring av batteri: 0–40 °C.

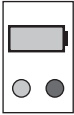
1. Løsne på batterilåsen ved å trykke det inn og trekk det ut. Hvis batteriet er varmt, f.eks. etter hard belastning. Det må avkjøles før lading.
2. Støpselet kobles først til et strømuttak. Den grønne lysdioden tennes etter noen sekunder.
3. Plasser batteriet i laderen. Den grønne dioden lyser med et jevnt skinn og den røde dioden blinker en gang per sekund ved lading. Hvis batteriet er fulladet når det settes i laderen vil det ikke skje noe, dvs. den grønne lysdioden fortsetter å lyse med fast lys og den røde forblir slukket.
4. Når ladingen er fullført trykkes sperreren på batteriet ned og batteriet tas ut av laderen.



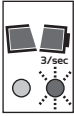
Fast grønt og slukket rødt lys: batteriladeren er koblet til strømmettet.



Fast grønt og blinkende rødt lys (med ett blink per sekund): lading pågår.



Fast grønt og rødt lys: lading fullført (batteriet er fulladet).



Fast grønt og blinkende rødt lys (med tre blink per sekund): Skadet batteri. Avbryt ladingen umiddelbart.

Overbelastning og beskyttelser/vern

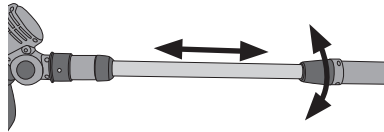
Maskinen/batteriet er utstyrt med diverse beskyttelser og vern for å unngå skader på maskinen og batteriet.

- Ved kortvarig høy belastning kan overbelastningsvernet stenge maskinen/batteriet. Overbelastningsvernet stilles tilbake av seg selv. Slå av strømbryteren og vent i noen sekunder. Pass på at trimmeren ikke er belastet og start den på nytt. Nå skal maskinen fungere vanlig igjen.
- Ved høy belastning over lengre tid kan et overopphetingsvern skru av maskinen/batteriet. Beskyttelsen stilles seg tilbake selv etter at temperaturen har sunket til et sikkert nivå. La maskinen/batteriet avkjøles før den startes opp igjen. For høye temperaturer kan også oppstå ved direkte sollys. Utsett derfor ikke maskinen for direkte sollys over tid.
- Batteriet har et underspenningsvern som virker inn når batteriet er utladet. Underspenningsvernet skruer av maskinen automatisk og batteriet må lades.

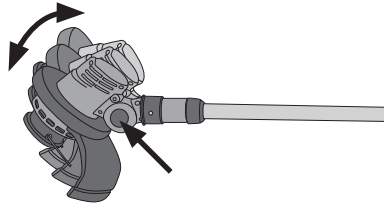
Bruk

Innstillinger

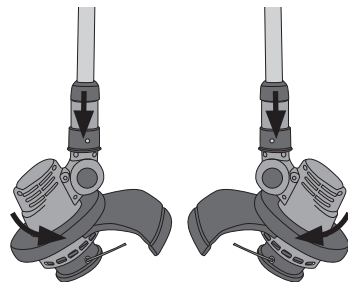
1. Reguler teleskopskaftet (6) til ønsket lengde. Åpne opp rattlåsen (7) ved å dreie den medurs. Still inn ønsket lengde og skru låserattet moturs.



2. Trimmerhodets vinkel justeres ved å trykke inn knappen (4). Drei så det kommer i en av de 5 innstillingene. Still knappen i ønsket posisjon.



3. Trimmerhodet kan dreies på og stilles inn i 3 faste posisjoner. Trykk sperren (5) framover mot trimmerhodet, drei til en fast posisjon og slipp opp sperren.



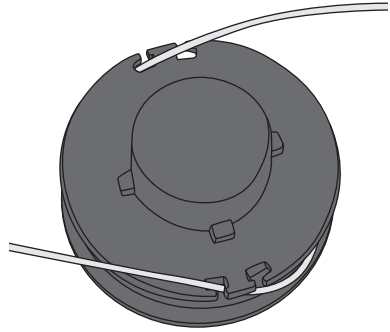
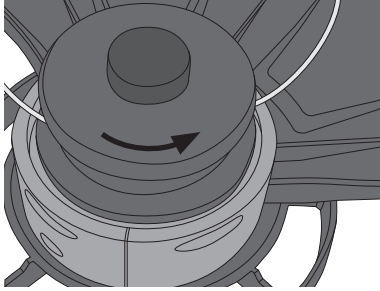
Start trimmeren

1. Trykk inn sikkerhetssperren (11) og hold den inne.
2. Trykk deretter inn strømbryteren (10) og motoren starter.
3. Slipp opp strømbryteren for å stoppe motoren.

Stell og vedlikehold

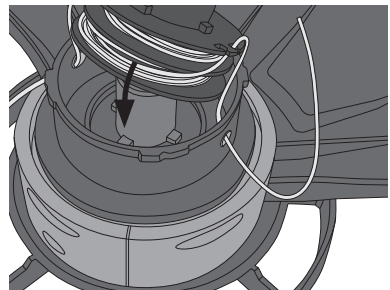
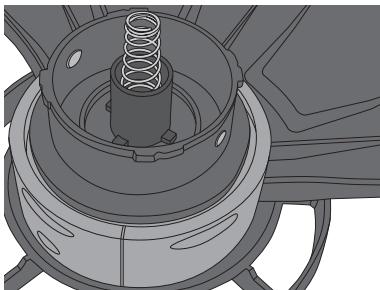
Obs! Fjern alltid batteriet før stell, vedlikehold og transport av trimmeren.

Skifte av trimmertråd



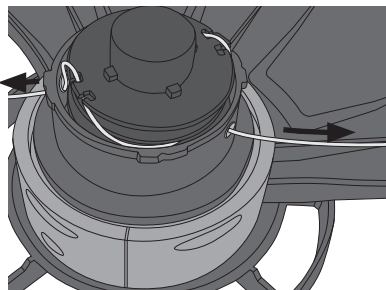
1. Trimmerhodet åpnes ved at underdelen/dekselet dreies moturs. Ta det av og ta ut trådkassetten. Pass på så ikke fjæren under trådkassetten faller ut.

2. Ta den nye trådkassetten og sørg for at trådene kommer i uttakene på kassetten. Lengden på trådene skal være ca. 15 cm.

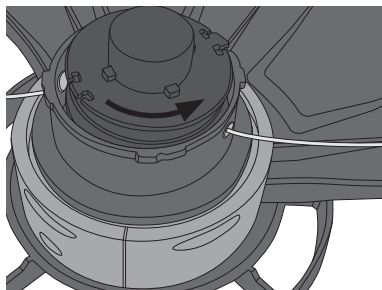


3. Plasser fjæren i trimmerhodet med den brede delen på fjæren ned og den smale delen opp mot trådkassetten.

4. Ta deretter trådkassetten ut og tre trådene gjennom hullene i trådhodet. Plasser trådkassetten i trimmerhodet.

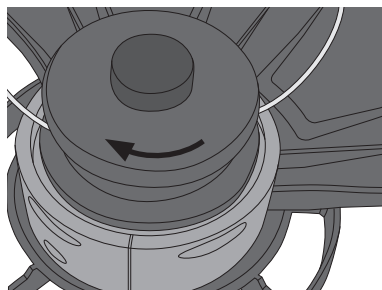


5. Trekk litt i begge trådene.



6. Hvis det er unødig mye tråd ute kan den vikles opp ved at trådkassetten dreies moturs. Det ideelle er når endene stikker ca. 6 cm ut.

7. Sett underdelen tilbake. Drei medurs samtidig som den trykkes litt ned. Drei helt til den stopper.



OBS! Bruk vernebriller og pass på at det ikke er noen (mennesker eller dyr) i nærheten når du starter opp etter skifting av trådkasset. Overflødig tråd kan fyke avgårde.

- Kontroller regelmessig at ikke gress, kvister og liknende fester seg rundt motorakselen.
- Kontroller at strømbryterne og sikkerhetssperrene er uskadede og at de fungerer som de skal. Dette bør foretas før hver oppstart.
- Rengjør verktøyet utvendig med en myk børste eller klut. Bruk aldri vann, løsemidler eller poleringsmidler.
- Fjern all forurensning regelmessig, spesielt fra alle ventilasjonsåpninger.
- Verktøyet skal oppbevares tørt og sikkert, utenfor barns rekkevidde.
- Batteriet skal oppbevares ved temperatur mellom 0 og 40 °C.
- Ved oppbevaring over lengre tid skal batteriet lades helt opp, minst hver 6. måned.

Feilsøking

Problem	Tiltak
Verktøyet starter ikke.	<ul style="list-style-type: none">• Batteriet er utladet eller galt montert.
Batteriet tømmes raskt for strøm.	<ul style="list-style-type: none">• Batteriet er ikke fulladet.• Batteriet må skiftes ut.
Batteriet lades ikke.	<ul style="list-style-type: none">• Batteriet sitter ikke riktig i laderen.• Batteriets eller laderens kontakt er skitten.• Nettadapteren sitter ikke riktig montert i strømuttaket.• Kontroller at det er strøm i strømuttaket.• Laderen eller laderens kabel er skadet.• Strømadapteren er skadet.• Batteriet må skiftes ut.

Avfallshåndtering

Når produktet skal kasseres, må det skje i henhold til lokale forskrifter. Ved usikkerhet, ta kontakt med lokale myndigheter.

Spesifikasjoner

Gresstrimmer

Batteri	LXC 18 V/1,5 Ah li-ionbatteri
Turtall ubelastet	8000 o/min
Arbeidstid	25–40 min
Klippediameter	230 mm
Tråddiameter	1,2 mm
Lydnivå	LpA 72 dB(A), K: 3 dB LwA 93 dB(A), K: 3 dB
Vibrasjon	Bakre håndtak 6,531 m/s ² , K: 1,5 m/s ² Fremre håndtak 6,764 m/s ² , K: 1,5 m/s ²
Vekt (med batteri)	2 kg

Lader

Spenning inn	230 V AC, 50 Hz, 75 W
Spenning ut	18 V DC
Utgående ladestrøm	2,5 A
Ladetid	40 min

Ruohotrimmeri LXC GT18

Tuotenumero 31-1325 Malli DCGT102B
31-1326 DCGT102

Lue käyttöohje ennen tuotteen käyttöönottoa ja säilytä se tulevaa tarvetta varten. Pidätämme oikeuden teknisten tietojen muutoksiin. Emme vastaa mahdollisista teksti- tai kuvavirheistä. Jos tuotteeseen tulee teknisiä ongelmia, ota yhteys myymälään tai asiakaspalveluun (yhteystiedot kannen sisäpuolella).

Sisällysluettelo

Turvallisuus.....	46
Yleisiä turvallisuusohjeita – EN 60745-1	46
Ruohotrimmerin turvallisuusohjeita	49
Ruohotrimmerin symbolien selitykset.....	50
Tuotekuvas	51
Asennus	52
Kahva	52
Suoja	53
Välirengas	53
Lataaminen	53
Akun lataaminen	53
Ylikuormitus ja ylikuormitussuoja	54
Käyttö	55
Asetukset	55
Trimmerin käynnistäminen	55
Puhdistaminen.....	56
Siiman vaihtaminen	56
Vianhakutaulukko	58
Kierrättäminen	58
Tekniset tiedot	58
Ruohotrimmeri	58
Laturi.....	58

Turvallisuus

Yleisiä turvallisuusohjeita – EN 60745-1

Sähkökäyttöisten käsityökalujen yleisiä turvallisuusohjeita

Varoitus! Lue kaikki ohjeet. Seuraavien ohjeiden noudattamatta jättäminen saattaa johtaa sähköiskuun, tulipaloon ja/tai vakavaan onnettomuuteen.

Säästä nämä ohjeet.

Varoitustekstin termi ”sähkökäyttöinen käsityökalu” tarkoittaa verkkovirralla tai akulla toimivaa käsityökalua.

1) Työtilat

- a) **Pidä työtilat puhtaina ja hyvin valaistuinna.** Täynnä tavaraa olevat ja pimeät tilat lisäävät onnettomuusriskiä.
- b) **Älä käytä sähkökäyttöisiä käsityökaluja räjähdysriskissä ympäristössä, kuten helposti syttyvien nesteiden, kaasujen tai pölyn lähellä.** Sähkökäyttöiset käsityökalut muodostavat kipinöitä, jotka saattavat sytyttää pölyn tai höyryt.
- c) **Pidä lapset ja sivulliset loitolla, kun käytät sähkökäyttöisiä käsityökaluja.** Häiriötekijät voivat aiheuttaa laitteen hallinnan menettämisen.

2) Sähköturvallisuus

- a) **Sähkökäyttöisen käsityökalun pistokkeen tulee sopia pistorasiaan. Älä muuta pistoketta millään tavalla. Älä käytä sovintina maadoitettujen sähkökäyttöisten käsityökalujen kanssa.** Sähköiskun vaara vähenee, kun pistokkeita ei muuteta ja laite liitetään oikeanlaiseen pistorasiaan.
- b) **Vältä koskettamasta maadoitettuja esineitä, kuten putkia, lämpöpattereita, liettä tai jääkaappia.** Sähköiskun vaara kasvaa, jos kehosi on maadoitettu.
- c) **Älä altista sähkökäyttöistä käsityökalua sateelle äläkä käytä sitä kosteissa olosuhteissa.** Veden joutuminen sähkökäyttöiseen käsityökaluun lisää sähköiskun vaaraa.
- d) **Käsittele virtajohtoa varoen. Älä kanna laitetta virtajohdosta äläkä irrota pistoketta pistorasiasta johdosta vetämällä. Älä altista virtajohtoa kuumuudelle, öljyille, teräville reunoille tai liikkuville osille.** Virtajohdon vioittuminen tai sotkeutuminen lisää sähköiskun vaaraa.
- e) **Kun käytät sähkökäyttöistä käsityökalua ulkona, käytä ainoastaan ulkokäyttöön sopivia jatkojohtoja.** Ulkokäyttöön sopivan jatkojohdon käyttäminen pienentää sähköiskun vaaraa.
- f) **Jos sähkökäyttöistä käsityökalua on pakko käyttää kosteassa ympäristössä, liitä laite pistorasiaan vikavirtasuojakytkimen kautta.** Vikavirtasuojakytkimen käyttö vähentää sähköiskun vaaraa.

3) *Oma turvallisuutesi*

- a) **Ole huolellinen ja käytä tervettä järkeä, kun työskentelet sähkökäyttöisellä käsityökalulla. Älä käytä sähkökäyttöistä käsityökalua, jos olet väsynyt tai päihteiden, lääkkeiden tai alkoholin vaikutuksen alainen.** Lyhyenkin hetken kestävä tarkkaavaisuuden herpaantuminen saattaa johtaa vakavaan loukkaantumiseen.
- b) **Käytä suojavarusteita. Käytä aina suojalaseja.** Suojavarusteiden, kuten hengityssuojaimen, liukuestekenkien, kypärän ja kuulosuojaimien käyttäminen vähentää loukkaantumisvaaraa.
- c) **Vältä laitteen tahatonta käynnistystä. Varmista, että virtakytkin on OFF-asennossa, ennen kuin liität pistokkeen pistorasiaan, liität akun laitteeseen tai nostat/kannat sähkökäyttöistä käsityökalua.** On äärimmäisen vaarallista kantaa sähkökäyttöistä käsityökalua sormi liipaisimella tai liittää sähkökäyttöinen käsityökalu pistorasiaan virtakytkimen ollessa ON-asennossa.
- d) **Poista kaikki huoltotyökalut/avaimet, ennen kuin käynnistät sähkökäyttöisen käsityökalun.** Sähkökäyttöisen työkalun liikkuvan osan päälle unohdettu työkalu saattaa johtaa onnettomuuteen.
- e) **Älä kurota liian pitkälle työskennellessäsi. Varmista, että seisot tukevasti ja tasapainossa työn jokaisessa vaiheessa.** Näin hallitset sähkökäyttöisen käsityökalun paremmin yllättävissä tilanteissa.
- f) **Käytä työskentelyyn sopivia vaatteita. Älä pidä löysiä vaatteita tai koruja. Pidä hiukset, vaatteet ja käsineet loitolla koneen liikkuvista osista.** Löysät vaatteet, korut tai pitkät hiukset saattavat juuttua liikkuviin osiin.
- g) **Jos käytössäsi on pölynpoistojärjestelmä, käytä sitä.** Sen käyttö vähentää pölyyn liittyviä vaaroja.

4) *Sähkökäyttöisten käsityökalujen käyttäminen ja huoltaminen*

- a) **Älä pakota sähkökäyttöistä käsityökalua. Käytä vain sellaista sähkökäyttöistä käsityökalua, joka soveltuu suunnittelemaasi työtehtävään.** Sopiva sähkökäyttöinen käsityökalu tekee työn hyvin ja turvallisesti oikealla nopeudella.
- b) **Älä käytä sähkökäyttöistä käsityökalua, jos virtakytkin ei toimi.** Kaikki sähkökäyttöiset käsityökalut, joita ei voida hallita virtakytkimellä, ovat vaarallisia ja ne tulee korjata.
- c) **Irrota pistoke pistorasiasta tai poista akku ennen sähkökäyttöisen käsityökalun säätämistä tai varusteiden vaihtamista ja ennen työkalun laittamista säilytykseen.** Nämä ennaltaehkäisevät toimenpiteet vähentävät sähkökäyttöisen käsityökalun tahatonta käynnistymistä.
- d) **Säilytä sähkökäyttöisiä käsityökaluja lasten ulottumattomissa. Älä luovuta sähkökäyttöistä käsityökalua henkilöille, jotka eivät tunne sitä tai sen käyttöohjetta.** Sähkökäyttöiset käsityökalut ovat vaarallisia tottumattomien käyttäjien käsissä.

- e) **Huolla sähkökäyttöisiä käsityökaluja. Tarkasta, että säädöt ovat kunnossa, että liikkuvat osat liikkuvat esteettä, että osat ovat ehjiä, ja että sähkökäyttöisessä käsityökalussa ei ole muita laitteen toimintaan vaikuttavia seikkoja. Vioittuneet osat tulee korjata ennen laitteen käyttöä.** Monet onnettomuudet johtuvat siitä, että sähkökäyttöistä käsityökalua ei ole huollettu.
- f) **Pidä leikkaavat osat terävinä ja puhtaina.** Terätyökalun hallinta on helpompaa, kun se on oikein huollettu ja sen terät ovat teräviä.
- g) **Käytä sähkökäyttöistä käsityökalua ja sen varusteita näiden ohjeiden mukaisesti. Ota myös huomioon työskentelyolosuhteet ja suoritettava työ.** Sähkökäyttöisen käsityökalun käyttäminen muihin kuin sille tarkoitettuihin työtehtäviin saattaa johtaa vaaratilanteeseen.
- 5) *Akkukäyttöisen sähkökäsityökalun käyttäminen ja käsittelyminen*
- a) **Lataa ainoastaan valmistajan suosittelemalla laturilla.** Toisentyypiselle akulle tarkoitettu laturi saattaa aiheuttaa palovaaran.
- b) **Käytä akkukäyttöisen käsityökalun kanssa vain siihen sopivaa akkua.** Muiden akkujen käyttäminen aiheuttaa palo- ja loukkaantumisvaaran.
- c) **Kun akkua ei käytetä, se tulee pitää poissa metalliesineiden, kuten paperiliittimien, kolikoiden, avainten, naulojen, ruuvien läheisyydestä, jotta ne eivät aiheuta oikosulkuja.** Akun napojen joutuminen oikosulkuun saattaa aiheuttaa palovamman tai tulipalon.
- d) **Jos akkua ei käsitellä varoen, siitä voi vuotaa nestettä. Vältä kontaktia akkunesteen kanssa. Jos joudut kosketuksiin akkunesteen kanssa, huuhtele kohta vedellä. Jos nestettä joutuu silmiin, hakeudu lääkäriin.** Akusta vuotava neste saattaa aiheuttaa ärsytystä tai palovammoja.
- 6) *Huolto*
- a) **Laitteen saa huoltaa ja korjata ainoastaan ammattihenkilö, ja huollossa tulee käyttää ainoastaan alkuperäisosia.** Näin taataan sähkökäyttöisen käsityökalun turvallisuus.

Ruohotrimmerin turvallisuusohjeita

- Henkilöt (mukaan lukien lapset), joilla on fyysisiä tai psyykkisiä rajoitteita, tai joilla ei ole riittävästi kokemusta/taitoja ruohotrimmerin käytöstä sekä vaaroista, eivät saa käyttää ruohotrimmeriä, mikäli mukana ei ole henkilöä, joka ohjaa ruohotrimmerin käytössä ja vastaa käyttäjän turvallisuudesta.
- Älä anna lasten käyttää tai leikkiä ruohotrimmerillä. Säilytä ruohotrimmeriä lasten ulottumattomissa.
- Käytä tukevia kenkiä, pitkälahkeisia housuja, sekä suojalaseja ja käsineitä.
- Pidä sivulliset riittävän kaukana ruohotrimmeristä.
- Varmista, että lähellä ei ole lapsia tai eläimiä. Kivet ja muut esineet saattavat lennähtää ruohotrimmeristä. Sammuta ruohotrimmeri välittömästi, mikäli lapsia, aikuisia tai eläimiä tulee alle viiden metrin etäisyydelle ruohotrimmeristä.
- Ruohotrimmeriä käytettäessä tulee olla riittävän valoisa.
- Jos ruohotrimmeri altistuu iskuille tai kolhuille, se tulee korjata ennen käyttöä. Ruohotrimmeriä ei saa käyttää, jos trimmerin pää ei ole kunnolla kiinni tai jos se on vioittunut.
- Tarkasta ruohotrimmeri ennen käyttöä.
- Suojien tulee olla aina asennettuina, kun ruohotrimmeriä käytetään. Ruohotrimmeriä ei saa käyttää, mikäli suojat ovat vioittuneet.
- Tarkasta ennen käyttöä, että työskentelyalueella ei ole kiviä, sähköjohtoja tai muita vieraita esineitä.
- Pidä ruohotrimmeristä kunnolla kiinni. Pidä kiinni molemmista kahvoista.
- Älä asenna metallista leikkuuosaa.
- Pidä trimmerin päässä olevat moottorin ilmanvaihtoaukot puhtaina. Poista mahdolliset lehdet ja ruoho.
- Terä pyörii vielä moottorin sammuttamisen jälkeen. Odota, että trimmeri on pysähtynyt kokonaan, ennen kuin alat esim. huoltaa sitä.
- Ruohotrimmeriä ei saa altistaa sateelle tai kosteudelle.
- Varmista ennen käyttöä, että tiedät kuinka kaikki säätimet ja asetukset toimivat.
- Pidä kädet ja jalat loitolla trimmerin päästä ja siimasta erityisesti moottoria käynnistettäessä.
- Ole varovainen säätäessäsi trimmerin siimaa. Älä käynnistä moottoria ennen kuin pidät ruohotrimmeristä kunnolla kiinni.
- Ruohotrimmerissä saa käyttää ainoastaan valmistajan suosittelemia lisälaitteita.
- Irrota akku aina ennen ruohotrimmerin säätöä ja huoltoa sekä silloin, kun ruohotrimmeriä ei käytetä.
- Varmista, että seisot tukevasti, kun käytät ruohotrimmeriä.
- Älä suuntaa ruohotrimmeriä kiinteisiin esineisiin trimmerin pää pyöriessä. Kiinteät esineet saattavat vahingoittaa trimmerin päätä.
- Älä yritä pysäyttää trimmerin päätä käsillä tai jaloilla. Anna trimmerin pään pysähtyä ilman pysäyttämistä.
- Älä käytä ruohotrimmeriä sorateiden tai muiden vastaavien paikkojen läheisyydessä, joissa on sinkoilevien kivien vaara.

Ruohotrimmerin symbolien selitykset



Yleisiä varoituksia riskitekijöistä.



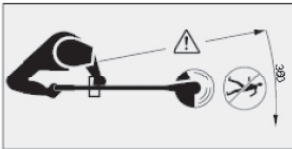
Lue käyttöohje.



Älä altista ruohotrimmeriä sateelle tai kosteudelle.



Käytä suojalaseja.



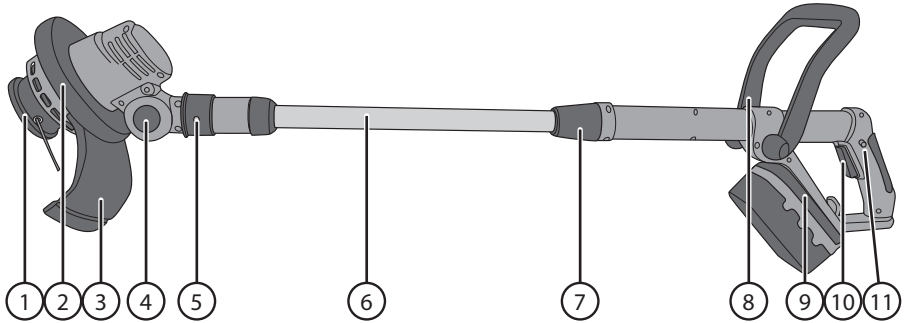
Pidä muut ihmiset riittävän kaukana laitteesta.

Tuotekuvaus

31-1325 Pakkaukseen sisältyy 18 V:n akku ja laturi.

31-1326 Pakkaukseen ei sisälly 18 V:n LXC-akkuja eikä laturia.

Kuvan ruohotrimmeri on asennettu. Osia 2 ja 3 ei ole asennettu toimitusvaiheessa.

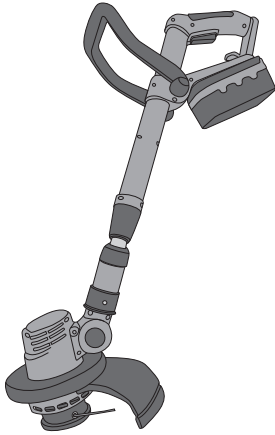


1. Trimmerin leikkuupää.
2. Välirengas.
3. Suojus.
4. Trimmerin leikkuupään kulman säädön lukitsin (5 eri asentoa).
5. Trimmerin leikkuupään asennon lukitsin (3 eri asentoa). Paina lukitsinta kohti trimmerin leikkuupäätä.
6. Teleskooppivarsi.
7. Lukitsin teleskooppivarren pituuden säätämiseksi. Avaa kääntämällä myötäpäivään ja lukitse kääntämällä vastapäivään.
8. Säädettävä etukahva.
9. LXC-akun akkupidike (akku sisältyy ainoastaan malliin 34-1325).
10. [P] Virtakytkin.
11. Turvalukitsin tahattoman käynnistymisen estämiseksi. Käynnistä ruohotrimmeri painamalla turvalukitsinta ja virtakytkintä samanaikaisesti.

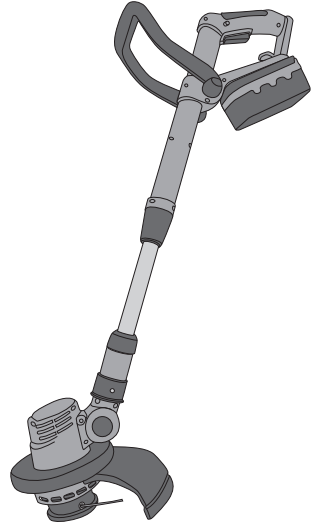
Asennus

Huom.! Jos ruohotrimmerissä on akku, irrota se.

Huom.! Ruohotrimmerin teleskooppivarsi on painettu sisään toimitusvaiheessa, jotta se veisi vähemmän tilaa. Kun teleskooppivartta pidennetään ensimmäisen kerran, se napsahtaa uuteen lyhimpään päätyasentoon. Tämän jälkeen teleskooppivartta ei voi enää lyhentää takaisin kuljetuspituuteen.



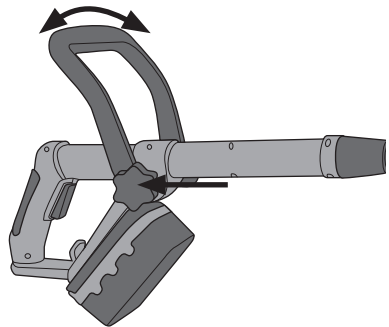
Kokoontaitettu kuljetusvaiheessa



Lyhin pituus sen jälkeen, kun teleskooppivarsi on pidennetty kuljetuspituudesta

Kahva

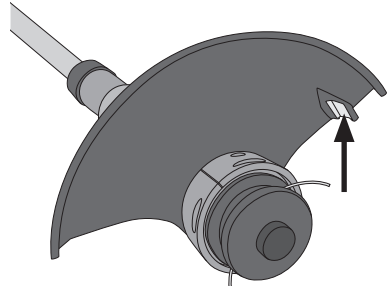
Aseta kahva ruohotrimmeriin (kahvan voi taivuttaa eteen- tai taaksepäin). Kiristä kiristimellä.



Suoja

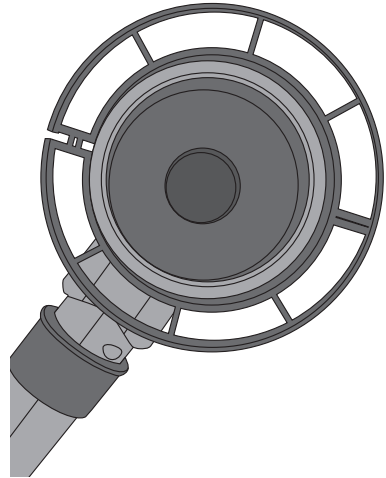
1. Paina suoja (3) trimmerin leikkuupään (1) uraan.
2. Ruuvaa suoja kiinni trimmerin leikkuupäähän mukana tulevalla ruuvilla.

Huom.! Käsittele suojaa varoen; suojan sivussa on erittäin terävä terä (nuolen kohdalla).



Välirengas

Pakkaukseen kuuluu välirengas (2). Välirenkaassa on kaksi osaa, jotka painetaan trimmerin leikkuupään ympärille. Välirengasta käytetään reunojen trimmaamiseen.

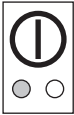


Lataaminen

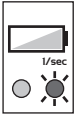
Akun lataaminen

Akun suositeltu lataus- ja säilytyslämpötila: 0–40 °C.

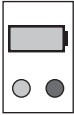
1. Irrota akku painamalla akun lukitusta ja vetämällä akku pois. Jos akku on kuumentunut erittäin paljon esim. kovasta kuormituksesta johtuen, anna sen jäähtyä ennen latausta.
2. Liitä laturin pistoke verkkopistorasiaan. Vihreä merkkivalo syttyy muutaman sekunnin kuluttua.
3. Laita akku laturiin. Vihreä merkkivalo palaa vilkkumatta ja punainen merkkivalo vilkkuu kerran sekunnissa latauksen aikana. (Mikäli akku on täynnä, kun se laitetaan laturiin, vihreä merkkivalo palaa, mutta akku ei lataudu.)
4. Kun akku on ladattu, paina akun lukitsinta ja irrota akku laturista.



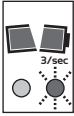
Vihreä merkkivalo palaa ja punainen merkkivalo ei pala:
akkulaturi on liitetty sähköverkkoon.



Vihreä merkkivalo palaa ja punainen merkkivalo vilkkuu (sekunnin välein):
lataus on käynnissä.



Vihreä ja punainen merkkivalo palavat:
akku on ladattu täyteen ja lataus on valmis.



Vihreä merkkivalo palaa ja punainen merkkivalo vilkkuu (kolme kertaa
sekunnissa): akku on voittunut, keskeytä lataus välittömästi.

Ylikuormitus ja ylikuormitussuoja

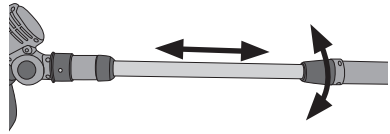
Koneessa/akussa on erilaisia suoja-toimintoja koneen ja akun suojaamiseksi.

- Lyhytaikaisen korkean kuormituksen aikana ylikuormitussuoja saattaa sammuttaa koneen/akun. Ylikuormitussuoja palautuu itsestään. Vapauta virtakytkin ja odota muutaman sekunnin ajan. Varmista, että terä ei osu mihinkään ja käynnistä se uudelleen. Kone toimii taas normaalisti.
- Pitkäaikaisen kovan kuormituksen sattuessa ylikuormitussuoja saattaa sammuttaa koneen/akun. Suoja palautuu itsestään, mutta konetta ei voi käynnistää, ennen kuin sen lämpötila on laskenut turvalliselle tasolle. Anna koneen/akun jäähtyä, ennen kuin yrität käynnistää sen uudelleen. Vältä suoraa auringonvaloa, sillä se saattaa myös kuumentaa konetta liikaa.
- Akussa on alijännitesuojaus, mikä sammuttaa koneen, jos akku tyhjenee. Alijännitesuoja sammuttaa koneen automaattisesti, minkä jälkeen akku tulee ladata uudelleen.

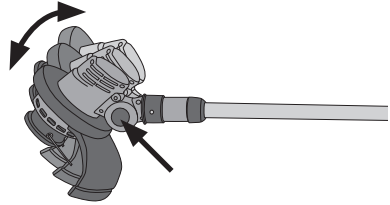
Käyttö

Asetukset

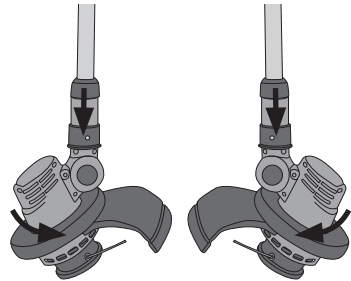
1. Säädä ruohotrimmerin teleskooppikahva (6) sopivan pituiseksi. Avaa lukitsin (7) kiertämällä sitä myötäpäivään, säädä sopiva pituus ja sulje lukitsin kiertämällä vastapäivään.



2. Säädä trimmerin leikkuupään kulmaa painamalla painiketta (4) ja valitsemalla jokin viidestä asennosta. Päästä painike, kun leikkuupää on sopivassa asennossa.



3. Trimmerin leikkuupään voi taittaa kolmeen eri asentoon. Paina lukitsinta (5) eteenpäin kohti trimmerin leikkuupäätä, kierrä sopivaan asentoon ja päästä lukitsin.



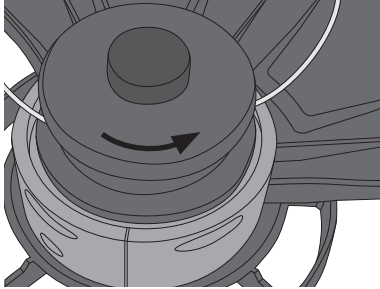
Trimmerin käynnistäminen

1. Pidä takakahvan turvalukitsinta (11) painettuina.
2. Käynnistä moottori painamalla virtakytkintä (10).
3. Pysäytä moottori vapauttamalla virtakytkin.

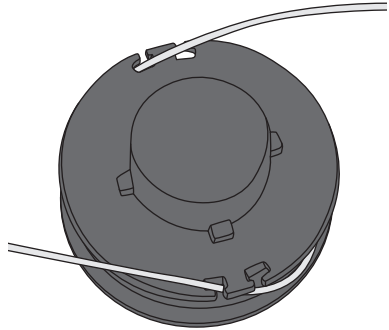
Puhdistaminen

Huom.! Poista akku aina ennen ruohotrimmerin huoltoa tai kuljetusta.

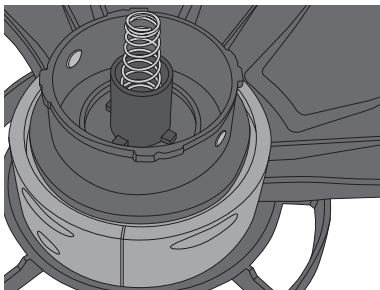
Siiman vaihtaminen



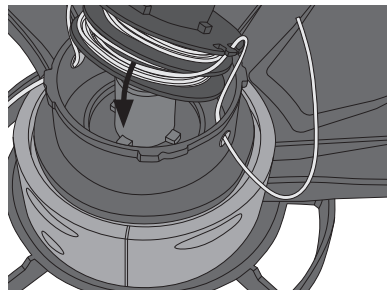
1. Avaa trimmerin leikkuupää kiertämällä alapuolen "kantta" vastapäivään ja irrottamalla se, jonka jälkeen siimakasetin voi irrottaa. Varo, että siimakasetin ja jousen alla oleva jousi ei putoa.



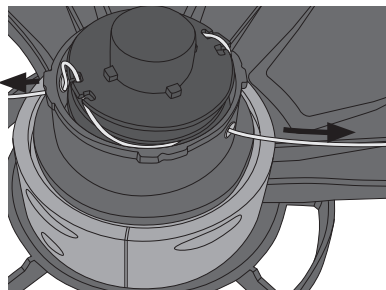
2. Varmista, että uuden siimakasetin siimat ovat siimakasetin urissa, ja että siimat ovat noin 15 cm:n pituiset.



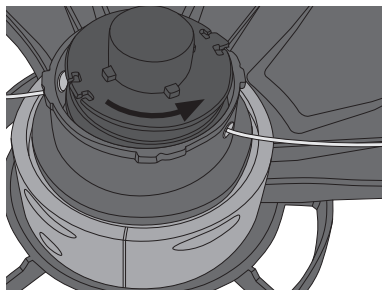
3. Aseta jousi leikkuupäähän siten, että jousen leveä osa on kohti leikkuupäätä ja kapea osa kohti siimakasettia.



4. Pujota siimakasetin siimat leikkuupään reikien läpi ja laita siimakasetti leikkuupäähän.

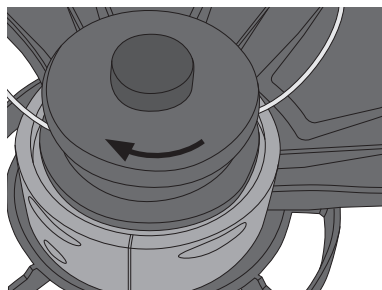


5. Vedä hieman molemmista siimoista, jotta molemmat siimat irtoavat siimakasetin urista.



6. Jos siimakasetin ulkopuolella on liikaa siimaa, kierrä siimakasettia vastapäivään, kunnes siimakasetin ulkopuolella on noin 5–6 cm siimaa.

7. Laita takaisin paikoilleen alaosaan ”kansi”, jossa on bajonettikiinnitys. Paina ja kierrä sitä samanaikaisesti myötäpäivään kunnes se pysähtyy.



Huom.! Käytä suojalaseja ja varmista, että ruohotrimmerin läheisyydessä ei ole ihmisiä tai eläimiä, kun käynnistät ruohotrimmerin siimanvaihdon jälkeen. Suojan terä leikkaa ylimenevän siiman poikki, jolloin se saattaa lennähtää voimalla.

- Tarkasta säännöllisesti, että moottoriakselin ympärillä ei ole ruohoa, oksia ym.
- Tarkasta ennen jokaista käyttökertaa, että virtakytkin ja turvalukitsimet ovat kunnossa ja toimivat virheettömästi.
- Puhdista ruohotrimmeri pehmeällä harjalla tai liinalla. Älä käytä puhdistukseen vettä, liuotinaiteita tai kiillotusaineita.
- Poista säännöllisesti kaikki lika. Puhdista erityisesti moottorin tuuletusaukot trimmerin leikkuupäässä.
- Säilytä ruohotrimmeriä kuivassa ja turvallisessa paikassa lasten ulottumattomissa.
- Akun säilytyslämpötila on 0–40 °C.
- Jos akkua ei käytetä pitkään aikaan, se tulee ladata täyteen vähintään kuuden kuukauden välein.

Vianhakutaulukko

Ongelma	Toimenpiteet
Ruohotrimmeri ei käynnisty.	<ul style="list-style-type: none">• Akku on tyhjä tai sitä ei ole asennettu oikein.
Akun kesto on heikko.	<ul style="list-style-type: none">• Akkua ei ole ladattu täyteen.• Vaihda akku.
Akku ei lataudu.	<ul style="list-style-type: none">• Akku ei ole oikein paikallaan laturissa.• Akun tai laturin kontaktipinnat ovat likaiset.• Virtajohto ei ole kunnolla pistorasiassa.• Pistorasiassa ei ole virtaa.• Laturi tai sen virtajohto on vioittunut.• Muuntaja on vioittunut.• Vaihda akku.

Kierrättäminen

Kierrätä ruohotrimmeri asianmukaisesti, kun poistat sen käytöstä. Tarkempia kierrätysohjeita saat kuntasi jäteneuvonnasta.

Tekniset tiedot

Ruohotrimmeri

Akku	LXC 18 V/1,5 Ah:n litiumioniakku
Kuormittamaton kierrosluku	8000 kierr./min
Käyttöaika	25–40 min
Leikkuuhalkaisija	230 mm
Siiman halkaisija	1,2 mm
Äänenvoimakkuus	LpA72 dB(A), K: 3 dB LwA 93 dB(A), K: 3 dB
Täriinä	Taaempi kahva 6,531 m/s ² , K: 1,5 m/s ² Etummainen kahva 6,764 m/s ² , K: 1,5 m/s ²
Paino akun kanssa	2 kg

Laturi

Tulojännite	230 V AC 50 Hz, 75 W
Lähtöjännite	18 V DC
Latauksen lähtövirta	2,5 A
Latausaika	40 min

Rasentrimmer GT18

Art.Nr. 31-1325 Modell DCGT102B
31-1326 DCGT102

Vor Inbetriebnahme die komplette Bedienungsanleitung durchlesen und aufbewahren. Irrtümer, Abweichungen und Änderungen behalten wir uns vor. Bei technischen Problemen oder anderen Fragen freut sich unser Kundenservice über eine Kontaktaufnahme.

Inhaltsverzeichnis

Sicherheit	60
Allgemeine Sicherheitshinweise – EN 60745-1.....	60
Besondere Sicherheitshinweise für Rasentrimmer.....	63
Erläuterung der Symbole am Rasentrimmer	64
Produktbeschreibung	65
Montage	66
Griff	66
Schleifschutz	67
Stützrad	67
Laden	67
Laden des Akkus.....	67
Überlastung und Schutz	68
Bedienung	69
Einstellungen	69
Den Trimmer starten	69
Pflege und Wartung	70
Auswechseln des Nylonfadens	70
Fehlersuche	72
Hinweise zur Entsorgung	72
Technische Daten	72
Rasentrimmer.....	72
Ladegerät.....	72

Sicherheit

Allgemeine Sicherheitshinweise – EN 60745-1

Allgemeine Sicherheitshinweise für Elektrowerkzeuge

Achtung: Die komplette Bedienungsanleitung durchlesen. Nichtbeachtung der folgenden Anweisungen kann zu Stromschlägen, Feuer und/oder schweren Verletzungen führen.

Diese Anleitungen aufbewahren.

Die Bezeichnung „Elektrowerkzeug“ im weiteren Textverlauf bezieht sich auf das Netzkabel-angeschlossene oder Akku-betriebene Handwerkzeug.

1) *Arbeitsumgebung*

- a) **Die Arbeitsumgebung sauber und gut beleuchtet halten.** Unordentliche und dunkle Umgebungen können zu Unfällen führen.
- b) **Elektrowerkzeuge sind nicht in feuergefährlichen Umgebungen (z.B. leicht entzündbare Flüssigkeiten, Gase oder Staub) zu benutzen.** Elektrowerkzeuge erzeugen Funken, die Staub oder Dämpfe entzünden können.
- c) **Während der Benutzung des Elektrowerkzeugs Kinder und Zuschauer auf Abstand halten.** Ablenkung kann zu Kontrollverlust führen.

2) *Sicherheitshinweise Elektrik*

- a) **Der Netzstecker des Elektrowerkzeugs muss in die Netzsteckdose passen. Niemals den Netzstecker verändern. Niemals einen Adapter zusammen mit geerdeten Elektrowerkzeugen verwenden.** Unveränderte Stecker und passende Steckdosen verringern das Risiko von Stromschlägen.
- b) **Körperkontakt mit geerdeten Gegenständen, z.B. Rohr, Heizung, Ofen oder Kühlschränke, vermeiden.** Ist der eigene Körper geerdet, erhöht sich das Risiko für Stromschläge.
- c) **Elektrowerkzeuge nicht für Regen oder Feuchtigkeit aussetzen.** Wasser im Inneren von Elektrowerkzeugen erhöht das Risiko für Stromschläge.
- d) **Mit dem Netzkabel behutsam umgehen. Das Netzkabel nie zum Ziehen oder Tragen des Elektrohandwerkzeugs oder zum Herausziehen des Steckers aus der Steckdose verwenden. Das Kabel von Wärme, Öl, scharfen Kanten und beweglichen Teilen fernhalten.** Beschädigte oder verformte Netzkabel erhöhen die Gefahr von elektrischen Schlägen.
- e) **Bei der Benutzung von Elektrowerkzeugen im Außenbereich immer ein Verlängerungskabel benutzen, das dafür vorgesehen ist.** Die Benutzung eines Verlängerungskabels für den Außenbereich verringert das Risiko von Stromschlägen.
- f) **Sollte das Elektrowerkzeug trotzdem in feuchter Umgebung benutzt werden, unbedingt eine Fehlerstrom-Schutzeinrichtung vorschalten.** Die Benutzung einer Fehlerstromschutzeinrichtung verringert das Risiko von Stromschlägen.

3) *Persönliche Sicherheit*

- a) **Bei der Benutzung von Elektrowerkzeugen vorsichtig sein und auf den gesunden Menschenverstand hören. Die Bedienung von Elektrowerkzeugen bei Müdigkeit und/oder Einfluss von Drogen, Alkohol oder Medizin ist untersagt.** Ein kurzer Moment der Unachtsamkeit kann zu schweren Sach- und Personenschäden führen.
 - b) **Persönliche Schutzausrüstung benutzen. Immer einen Augenschutz tragen.** Die Benutzung von persönlicher Schutzausrüstung bei Bedarf, wie Atemschutz, Sicherheitsschuhe, Helm und Gehörschutz, verkleinert das Verletzungsrisiko.
 - c) **Ungewolltes Starten vermeiden. Sicherstellen, dass der Stromschalter in der Position „OFF“ ist bevor der Netzstecker oder Akku angeschlossen wird oder das Elektrowerkzeug gehoben/getragen wird.** Das Tragen von Elektrowerkzeugen mit einem Finger auf dem Schalter oder der Anschluss von Elektrowerkzeugen an die Netzspannung, während der Schalter in der Position „ON“ ist, birgt ein erhöhtes Unfallrisiko. Befindet sich der Ein-/Ausschalter in Stellung ON erhöht sich die Unfallgefahr.
 - d) **Vor dem Einschalten des Elektrowerkzeugs alle Servicewerkzeuge/Schlüssel entfernen.** Ein vergessenes Servicewerkzeug an einem rotierenden Teil von Elektrowerkzeugen kann zu Personenschäden führen.
 - e) **Stabile und bequeme Arbeitsposition einnehmen. Immer eine gute Balance sicherstellen.** Dies sorgt für bessere Kontrolle des Elektrowerkzeugs in unvorhergesehenen Situationen.
 - f) **Geeignete Arbeitskleidung tragen. Keine losen Kleider oder Schmuck tragen. Haare, Kleidung und Handschuhe von beweglichen Teilen fernhalten.** Lose Kleidung, Schmuck oder lange Haare können sich in Beweglichen Teilen verfangen.
 - g) **Ist Ausrüstung zum Absaugen und Aufsammeln von Staub zugänglich, sollte diese angeschlossen und benutzt werden.** Das Benutzen dieser Ausrüstung minimiert Staub-abhängige Gefahren.
- ### 4) *Bedienung und Wartung von Elektrowerkzeugen*
- a) **Elektrowerkzeuge nie überbeanspruchen. Elektrowerkzeuge nur für die dafür vorgesehene Arbeit benutzen.** Das richtige Elektrowerkzeug sorgt für mehr Sicherheit und ein besseres Resultat.
 - b) **Niemals ein Elektrowerkzeug benutzen, wenn der Stromschalter das Gerät nicht Ein-/Ausschaltet.** Ein Elektrowerkzeug, das sich nicht mehr ein- oder ausschalten lässt, ist gefährlich und muss repariert werden.
 - c) **Zum Ändern der Einstellungen, Austausch von Werkzeugteilen und bei Nichtbenutzung stets den Netzstecker ziehen.** Diese Vorkehrungsmaßnahme verkleinert das Risiko für einen unabsichtlichen Start.
 - d) **Elektrowerkzeuge bei Nichtbenutzung außer Reichweite von Kindern aufbewahren. Personen, die nicht mit der Bedienung vertraut sind, nicht das Elektrowerkzeug benutzen lassen.** Elektrowerkzeuge sind gefährlich, wenn sie in die Hände von unerfahrenen Personen gelangen.

- e) **Elektrowerkzeuge warten. Regelmäßig überprüfen, ob etwas falsch eingestellt ist, ob bewegliche Teile klemmen, etwas kaputt gegangen ist oder etwas anderes die fehlerfreie Funktion behindert. Wenn etwas kaputt ist, muss es vor Inbetriebnahme repariert werden.** Viele Unglücke werden durch mangelnde Wartung verursacht.
- f) **Werkzeuge sind sauber und scharf zu halten.** Ordentlich gewartete Werkzeuge neigen weniger zu Fehlfunktionen und sind einfacher zu handhaben.
- g) **Elektrowerkzeuge, Zubehör usw. nur der Beschreibung entsprechend und für den vorgesehenen Verwendungszweck handhaben. Dabei immer die aktuellen Arbeitsbedingungen berücksichtigen.** Der Gebrauch von Elektrowerkzeugen für andere als die vorgesehenen Anwendungen kann zu gefährlichen Situationen führen.

5) *Bedienung und Wartung von schnurlosen Elektrowerkzeugen*

- a) **Den Akku nur in einem vom Hersteller empfohlenen Ladegerät laden.** Ein Akku-Ladegerät für einen bestimmten Akkutyp kann mit einem anderen Akkutyp für Brandgefahr sorgen.
- b) **Nur kabellose Elektrowerkzeuge mit speziell angepasstem Akkupack verwenden.** Die Benutzung anderer Akkupacks beinhaltet ein Risiko für Beschädigungen sowie Brandgefahr.
- c) **Bei Nichtgebrauch den Akkupack fernhalten von Metallgegenständen wie z.B. Büroklammern, Münzen, Nägeln, Schrauben o. Ä., die einen Kurzschluss an den Kontakten des Akkupacks verursachen können.** Ein Kurzschluss der Batteriepole kann zu Brandverletzungen oder Feuer führen.
- d) **Bei fehlerhafter Handhabung kann der Akkupack Flüssigkeit verlieren, Kontakt mit dieser Flüssigkeit vermeiden. Bei direktem Kontakt mit der Flüssigkeit mit Wasser abspülen. Einen Arzt aufsuchen, wenn Flüssigkeit in die Augen geraten ist.** Die aus dem Akkupack austretende Flüssigkeit kann Hautreizungen oder Verbrennungen verursachen.

6) *Service*

- a) **Reparaturen sind nur von qualifizierten Servicetechnikern und mit Originalzubehör durchzuführen.** Dies bewahrt die Sicherheit von Elektrowerkzeugen.

Besondere Sicherheitshinweise für Rasentrimmer

- Das Gerät ist nicht für Personen (einschließlich Kindern) mit eingeschränkten physischen, sensorischen oder geistigen Fähigkeiten, bzw. mangelnder Erfahrung/ Wissen geeignet. Eine Ausnahme besteht, wenn diese Person von einer für ihre Sicherheit verantwortliche Person angeleitet und unterrichtet wird.
- Kein Kinderspielzeug. Das Gerät stets außerhalb der Reichweite von Kindern aufbewahren.
- Immer kräftige Schuhe und lange Hosen sowie Augenschutz und Handschuhe tragen.
- Personen, die sich in der Nähe aufhalten, in sicherem Abstand zum Rasentrimmer halten.
- Sicherstellen, dass sich keine Kinder oder Haustiere in der Nähe befinden. Steine und andere Gegenstände können weggeschleudert werden. Das Gerät sofort ausschalten, wenn sich Erwachsene, Kinder oder Haustiere auf weniger als 5 Meter nähern.
- Das Gerät nur bei guten Lichtverhältnissen benutzen.
- Wurde das Gerät Stößen oder Schlägen ausgesetzt, auf evtl. Schäden untersuchen und diese vor der erneuten Benutzung reparieren. Das Gerät nicht verwenden, wenn der Trimmerkopf lose sitzt oder beschädigt ist.
- Die Funktionen des Gerätes vor der Benutzung immer kontrollieren.
- Das Gerät nie ohne montierten Schutz verwenden. Das Gerät niemals mit beschädigter Sicherheitsvorrichtung verwenden.
- Vor dem Betrieb den Rasen auf Steine, Kabel, Seile oder andere Fremdkörper absuchen.
- Den Rasentrimmer immer stabil halten. Das Gerät immer an beiden Griffen festhalten.
- Nie Schneidwerkzeug aus Metall montieren.
- Die Kühllufteinlasse am Motor stets freihalten. Gras und Laub entfernen.
- Der Schneidfaden dreht sich auch nach dem Abschalten des Motors noch einen Moment weiter. Mit Wartungsarbeiten warten, bis er komplett stehen geblieben ist.
- Das Gerät keinem Regen oder hoher Luftfeuchtigkeit aussetzen.
- Sicherstellen, dass die Funktion aller Schalter und Einstellungen vor dem Betrieb bekannt und verständlich sind.
- Hände und Füße von Trimmerkopf und Trimmerfaden fernhalten, besonders, wenn der Motor gestartet wird.
- Bei der Anpassung des Trimmerfadens vorsichtig vorgehen, den Motor erst starten, wenn das Gerät korrekt gehalten wird.
- Das Gerät nur mit vom Hersteller empfohlenen Zubehör benutzen.
- Den Akku vor Überprüfung, Reinigung oder Einstellung sowie bei Nichtgebrauch immer entfernen.
- Beim Betrieb jederzeit auf einen sicheren Stand und gutes Gleichgewicht achten.
- Den rotierenden Trimmerkopf nicht auf feste Gegenstände ausrichten, dies kann den Rasentrimmer beschädigen.
- Den Schneidkopf nie mit Händen oder Füßen stoppen, sondern selbst auslaufen lassen.
- Das Gerät nach Möglichkeit nicht in der Nähe von Kieswegen, Kiesauffahrten o. Ä. verwenden, wo Steine/Kies weggeschleudert werden können.

Erläuterung der Symbole am Rasentrimmer



Allgemeine Sicherheitshinweise für Gefahrenmomente.



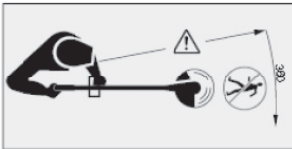
Die Bedienungsanleitung durchlesen.



Das Gerät niemals Regen oder Feuchtigkeit aussetzen.



Augenschutz tragen.



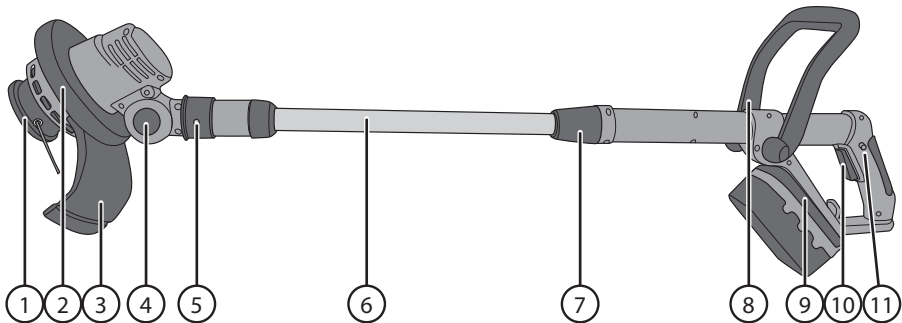
Andere Personen in sicherem Abstand vom Gerät halten.

Produktbeschreibung

31-1325 Komplett mit 18 V-Akku und Ladegerät.

31-1326 Als Zubehör wenn 18 V-Akku und Ladegerät bereits vorhanden sind (Akku und Ladegerät nicht enthalten).

Die Abbildung zeigt den Rasentrimmer montiert, 2 und 3 sind bei Lieferung noch nicht montiert.

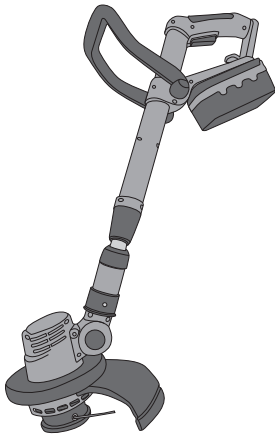


1. Trimmerkopf.
2. Stützrad.
3. Schutzvorrichtung.
4. Sperre zur Einstellung des Winkels am Trimmerkopf in 5 festen Stellungen.
5. Sperre zum Drehen des Trimmerkopfs in 3 festen Stellungen. Die Sperre nach vorne zum Trimmerkopf drücken.
6. Teleskopstiel.
7. Drehriegel zur Einstellung der Teleskopstiellänge. Zum Öffnen den Drehriegel mit dem Uhrzeigersinn drehen und zum Schließen gegen den Uhrzeigersinn.
8. Verstellbarer vorderer Griff.
9. Halterung für LXC-Akku (Akku nur inklusive bei 34-1325).
10. [⏻] Ein-/Ausschalter.
11. Sicherheitssperre verhindert einen unabsichtlichen Start. Die Taste gedrückt halten, bevor der Ein-/Ausschalter gedrückt wird.

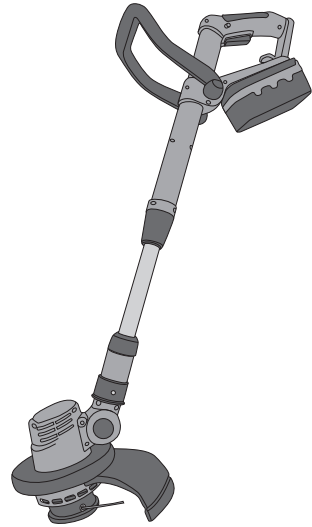
Montage

Achtung: Den Akku, falls vorhanden, vom Rasentrimmer entfernen.

Achtung: Bei Lieferung ist das Gerät extra zusammengeschoben, damit es in der Verpackung Platz findet. Beim ersten Ausziehen des Teleskopstiels rastet er in einer neuen Endstellung ein und kann von da ab nicht mehr kürzer eingestellt werden.



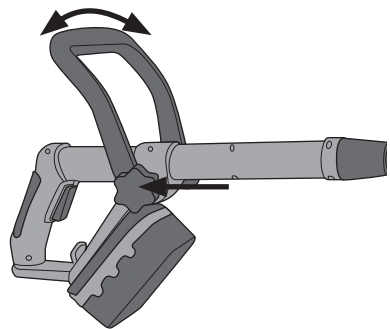
*Lieferzustand
(zusammengeschoben)*



*Kürzeste Einstellung
(auseinandergezogen)*

Griff

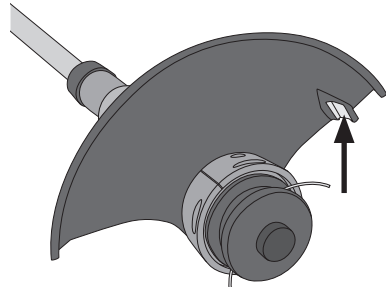
Den Griff auf dem Trimmer befestigen (der Griff kann nach vorne und hinten geneigt werden). Mit dem Drehriegel anziehen.



Schutzvorrichtung

1. Die Schutzvorrichtung (3) in die Aussparung am Trimmerkopf (1) drücken.
2. Die Schutzvorrichtung mit den mitgelieferten Schrauben am Trimmerkopf festschrauben.

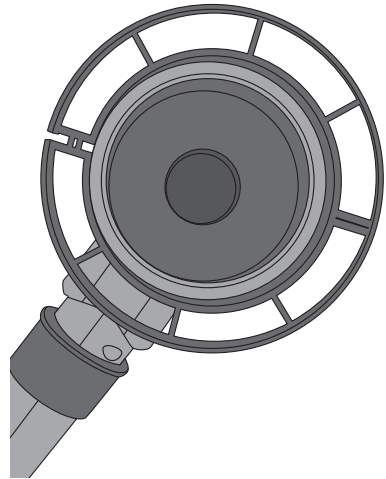
Achtung: Vorsicht vorgehen, an der Schutzvorrichtung befindet sich ein sehr scharfes Messer (siehe Pfeil).



Stützrad

Das Stützrad (2) besteht aus zwei Teilen, die um den Trimmerkopf zusammengedrückt werden.

Zur Benutzung beim Kantenschneiden.

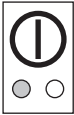


Laden

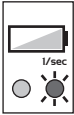
Laden des Akkus

Temperaturbereich zum Laden und für die Aufbewahrung des Akkus: 0–40 °C.

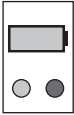
1. Zur Herausnahme des Akkus aus dem Gerät die Akkusicherung eindrücken und den Akku herausziehen. Wenn der Akku sehr heiß ist, etwa nach hoher Beanspruchung, diesen vor dem Aufladen erst abkühlen lassen.
2. Das Ladegerät an eine Steckdose anschließen. Die grüne Leuchtdiode leuchtet nach wenigen Sekunden auf.
3. Den Akku in das Ladegerät einlegen. Beim Ladevorgang leuchtet die grüne Leuchtdiode konstant, während die rote Leuchtdiode einmal pro Sekunde blinkt. (Wird ein vollständig geladener Akku eingesetzt, passiert nichts, d. h. die grüne LED leuchtet weiter und die rote ist weiterhin aus).
4. Ist der Akku fertig geladen, die Sperre am Akku herunterdrücken und diesen aus dem Ladegerät nehmen.



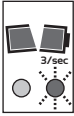
Konstantes grünes Leuchten (rot ausgeschaltet): Das Ladegerät ist an das Stromnetz angeschlossen.



Konstantes grünes Leuchten und rotes Blinken (einmal pro Sekunde): Ladevorgang läuft.



Konstantes grünes und rotes Leuchten: Ladevorgang abgeschlossen, Akku vollständig geladen.



Konstantes grünes Leuchten und rotes Blinken (dreimal pro Sekunde): beschädigter Akku, den Ladevorgang sofort abbrechen.

Überlastung und Schutz

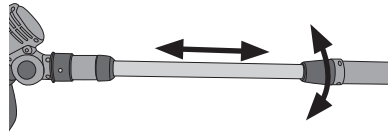
Das Gerät und der Akku sind mit einer Reihe von Schutzvorrichtungen ausgerüstet.

- Bei kurzzeitiger Überbelastung kann der Überlastungsschutz das Gerät abschalten. Der Überlastungsschutz ist selbstrückstellend. Den Stromschalter am Gerät ausschalten und ein paar Sekunden warten, während das Gerät belastungsfrei ist. Das Gerät sollte nun wieder normal funktionieren.
- Bei längerer Überbelastung kann der Überhitzungsschutz das Gerät abschalten. Der Überhitzungsschutz ist selbstrückstellend, aber das Gerät kann erst wieder gestartet werden, wenn es abgekühlt ist. Das Gerät und den Akku vor erneuter Benutzung abkühlen lassen. Schädliche Temperaturen können auch bei direkter Sonnenbestrahlung auftreten, die daher zu vermeiden ist.
- Der Akku hat einen Unterspannungsschutz, welcher aktiviert wird, wenn der Akku leer wird. Der Unterspannungsschutz schaltet dann automatisch das Gerät ab und der Akku muss geladen werden.

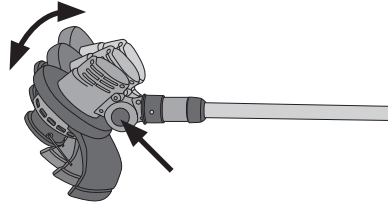
Bedienung

Einstellungen

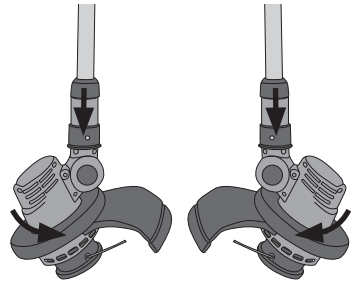
1. Den Teleskopstiel (6) auf gewünschte Länge ausziehen. Den Drehriegel (7) mit dem Uhrzeigersinn losdrehen, die gewünschte Länge einstellen und den Drehriegel gegen den Uhrzeigersinn festdrehen.



2. Um den Winkel des Trimmerkopfs einzustellen, die Taste (4) gedrückt gehalten und in eine der 5 festen Stellungen drehen. Die Taste in der gewünschten Stellung loslassen.



3. Der Trimmerkopf ist drehbar und einstellbar in 3 festen Stellungen. Die Sperre (5) nach vorne zum Trimmerkopf drücken, in eine feste Stellung drehen und die Sperre dann loslassen.



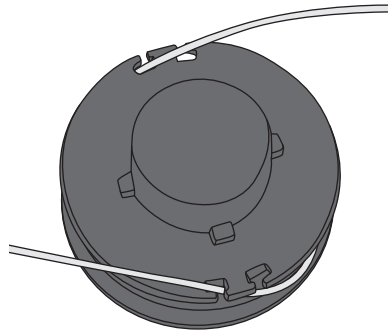
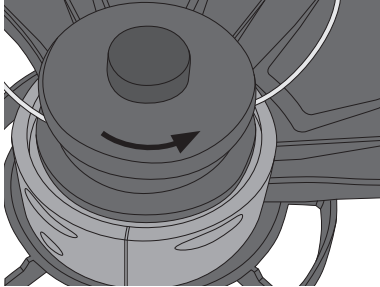
Den Trimmer starten

1. Die Sicherheitssperre (11) am hinteren Griff gedrückt halten.
2. Um den Motor zu starten, dann den Ein-/Ausschalter eindrücken.
3. Um den Motor auszuschalten, den Ein-/Ausschalter loslassen.

Pflege und Wartung

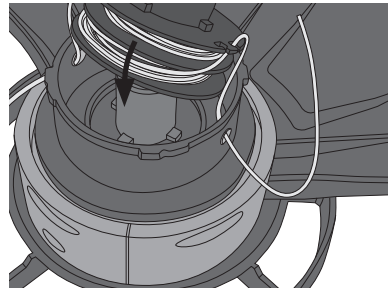
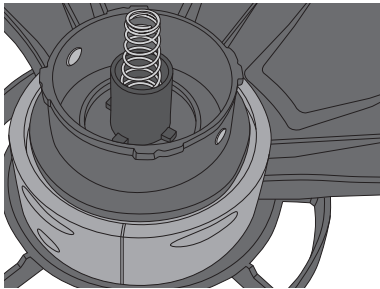
Achtung: Vor Pflege und Transport sowie vor Wartung am Werkzeug immer den Akku entfernen.

Auswechseln des Nylonfadens



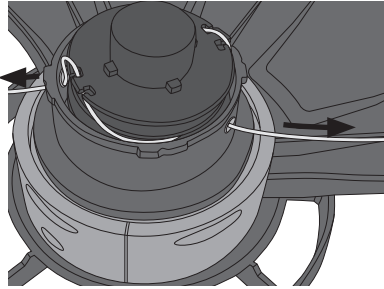
1. Das Unterteil (den „Deckel“) gegen den Uhrzeigersinn drehen um den Trimmerkopf zu öffnen, abnehmen und dann die Fadenspule herausnehmen. Darauf achten, dass die Feder unter der Fadenspule nicht herausfällt.

2. Die neue Fadenspule nehmen und sicherstellen, dass der Faden in der Aussparung der Fadenspule fixiert ist und die Länge des Fadens ca. 15 cm ist, um die Montage zu vereinfachen.

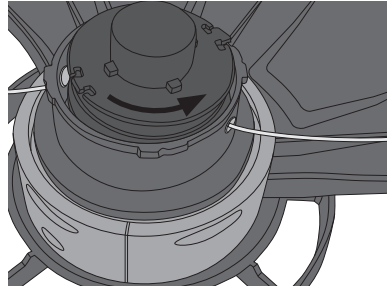


3. Die Feder mit dem breiten Teil der Feder unten im Trimmerkopf und den schmalen Teil nach oben zur Fadenspule hin setzen.

4. Dann die Fäden der Fadenspule durch die jeweiligen Löcher im Trimmerkopf ziehen und die Fadenspule in den Trimmerkopf legen.

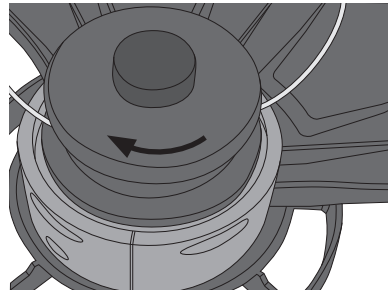


5. Danach leicht an beiden Fäden ziehen, bis sie aus den Aussparungen an der Fadenspule herauschauen.



6. Wurde der Faden zu weit herausgezogen, kann er durch Drehen der Fadenspule gegen den Uhrzeigersinn wieder aufgerollt werden, bis ca. 5–6 cm Faden hervorstehen.

7. Jetzt das Unterteil (den „Deckel“) wieder zurücksetzen. Der Deckel hat einen Bajonettverschluss: im Uhrzeigersinn drehen und gleichzeitig ein wenig herunterdrücken bis der Verschluss einrastet.



Achtung: Augenschutz verwenden und sicherstellen, dass sich niemand in der Nähe befindet, wenn der Motor nach dem Fadenwechsel zum ersten Mal gestartet wird, da überflüssiger Faden abgeschnitten wird und weggeschleudert werden kann.

- Regelmäßig sicherstellen, dass Gras, Zweige u. ä. sich nicht um die Motorachse schlingen.
- Vor jeder Benutzung überprüfen, ob die Ein-/Ausschalter und die Sicherheitssperren unbeschädigt und funktionstüchtig sind.
- Das Gerät außen mit einer weichen Bürste oder Tuch reinigen, keine Lösungsmittel oder Poliermittel verwenden.
- Regelmäßig sämtlichen Schmutz entfernen, vor allem an den Belüftungsöffnungen des Motors.
- Das Gerät trocken und sicher außerhalb der Reichweite von Kindern verstauen.
- Den Akku in einem Raum mit Innentemperatur von 0–40 °C aufbewahren.
- Bei längerer Lagerung den Akku mindestens alle 6 Monate vollständig laden.

Fehlersuche

Problem	Lösung
Das Werkzeug startet nicht.	<ul style="list-style-type: none">• Der Akku ist entladen oder nicht richtig montiert.
Schlechte Akkulaufzeit.	<ul style="list-style-type: none">• Der Akku ist nicht vollständig geladen.• Der Akku muss ausgetauscht werden.
Der Akku lädt nicht.	<ul style="list-style-type: none">• Der Akku ist nicht ordnungsgemäß im Ladegerät eingesetzt.• Die Kontakte von Akku und Ladegerät sind verschmutzt.• Der Netzadapter ist nicht ordnungsgemäß an die Steckdose angeschlossen.• Sicherstellen, dass die Steckdose stromführend ist.• Das Ladegerät oder dessen Kabel ist beschädigt.• Der Netzadapter ist beschädigt.• Der Akku muss ausgetauscht werden.

Hinweise zur Entsorgung

Bitte das Produkt entsprechend den lokalen Bestimmungen entsorgen. Weitere Informationen sind von der Gemeinde oder den kommunalen Entsorgungsbetrieben erhältlich.

Technische Daten

Rasentrimmer

Akku	LXC 18 V/1,5 Ah Lithium-Ionen-Akku
Drehzahl, unbelastet	8000 /min
Betriebsdauer	25–40 min
Schnittdurchmesser	230 mm
Drahtdurchmesser	1,2 mm
Schalldruckpegel	LpA 72 dB(A), K: 3 dB
Schalleistungspegel	LwA 93 dB(A), K: 3 dB
Schwingungswert	Hinterer Griff 6,531 m/s ² , K: 1,5 m/s ² Vorderer Griff 6,764 m/s ² , K: 1,5 m/s ²
Gewicht (mit Akku)	2 kg

Ladegerät

Eingangsspannung	230 V AC, 50 Hz, 75 W
Ausgangsspannung	18 V DC
Ausgangsladestrom	2,5 A
Ladedauer	40 min

Declaration of Conformity

Försäkran om överensstämmelse

Samsvareklæring

Vakuutus yhdenmukaisuudesta

Konformitätserklärung



CLAS OHLSON AB

SE-793 85 INSJÖN, SWEDEN

Declares that this product complies with the requirements of the following directives and standards

Intygar att denna produkt överensstämmer med kraven i följande direktiv och standarder

Bekrefter at dette produktet er i samsvar med følgende direktiver og standarder

Vakuuttaa, että tämä tuote täyttää seuraavien direktiivien ja standardien vaatimukset

Erklärt hiermit, dass dieses Produkt die Anforderungen und Bestimmungen folgender Richtlinien erfüllt

GRASS TRIMMER

Cotech 31-1325 / 31-1326

DCGT102B

(31-1325)

**Machinery directive
2006/42/EC**

EN 60745-1:2009
EN ISO 10517:2009
EN 786/A2:2009

**EMC directive
2004/108/EC**

EN 55014-1:2006
EN55014-2/A1:2001
EN61000-6-3:2007

**Low voltage directive
2006/95/EC**

EN 60335-1:2002+A11
+A1+A12+A2+A13
EN 62233:2008
EN60335-2-29:2004

Klas Balkow
President

Insjön, Sweden, 2013-12-16

GO TECH[®]

LXC

LITHIUM XROSS CONNECT



18V LITHIUM SERIES