

18-4631 • 31-1327-1 • 31-1328

# Cocraft®

HEDGE TRIMMER 18 V

## LXC HT18

18 V LITHIUM SERIES

HÄCKSAX  
PENSASSAKSET

HEKKSAXS  
HECKENSCHERE

Cocraft LXC is a tool system incorporating lithium-ion technology for an entire series of Cocraft power tools. A single universal battery and charger is all that is needed to power the entire series.

# LXC

LITHIUM XROSS CONNECT



### Important!

Read the entire instruction manual carefully and make sure that you fully understand it before you use the equipment. Keep the manual for future reference.

### Viktig information:

Läs hela bruksanvisningen noggrant och försäkra dig om att du har förstått den innan du använder utrustningen. Spara bruksanvisningen för framtida bruk.

### Viktig informasjon:

Les disse anvisningene nøye og forsikre deg om at du forstår dem, før du tar produktet i bruk. Ta vare på anvisningene for seinere bruk.

### Tärkeää tietoa:

Lue nämä ohjeet huolellisesti ja varmista että olet ymmärtänyt ne, ennen kuin alat käyttää laitetta. Säilytä ohjeet myöhempää tarvetta varten.

### Wichtiger Hinweis:

Vor Inbetriebnahme die komplette Bedienungsanleitung sorgfältig durchlesen und aufbewahren.

**Art.no**

18-4631

31-1327-1

31-1328

**Model**

DCHT201B-UK

DCHT201B

DCHT201

**Ver. 20151013**

Original instructions  
Bruksanvisning i original  
Original bruksanvisning  
Alkuperäinen käyttöohje  
Original Bedienungsanleitung

ENGLISH

SVENSKA

NORSK

SUOMI

DEUTSCH

## SVERIGE

Kundtjänst tel.: 0247/445 00  
fax: 0247/445 09  
e-post: kundservice@clasohlson.se

Internet www.clasohlson.se

Post Clas Ohlson AB, 793 85 INSJÖN

## NORGE

Kundesenter tlf.: 23 21 40 00  
faks: 23 21 40 80  
e-post: kundesenter@clasohlson.no

Internett www.clasohlson.no

Post Clas Ohlson AS, Postboks 485 Sentrum, 0105 OSLO

## SUOMI

Asiakaspalvelu puh.: 020 111 2222  
sähköposti: info@clasohlson.fi

Internet www.clasohlson.fi

Osoite Clas Ohlson Oy, Maistraatinportti 4 A, 00240 HELSINKI

## UNITED KINGDOM

Customer Service contact number: 020 8247 9300  
e-mail: customerservice@clasohlson.co.uk

Internet www.clasohlson.co.uk

Postal 10 – 13 Market Place  
Kingston Upon Thames  
Surrey  
KT1 1JZ

## DEUTSCHLAND

Kundeservice Unsere Homepage [www.clasohlson.de](http://www.clasohlson.de) besuchen  
und auf Kundenservice klicken.

# 18 V LI Hedge Trimmer

Art.no 18-4631      Model DCHT201B-UK  
31-1327-1          DCHT201B  
31-1328              DCHT201

Please read the entire instruction manual before using the product and then save it for future reference. We reserve the right for any errors in text or images and any necessary changes made to technical data. If you have any questions regarding technical problems please contact our Customer Services.

## Safety

### General safety instructions for power tools

**Warning:** Read all the instructions. Failure to adhere to the following instructions may lead to electric shocks, fires or serious injuries.

SAVE THESE INSTRUCTIONS.

The term “power tools” in the following warning text refers to your handheld mains operated or battery operated tool.

#### 1) Work area

- a) **Keep the work area clean and well illuminated.** Cluttered and poorly lit areas invite accidents.
- b) **Do not use power tools in explosive environments, e.g. near to flammable liquids, gases or dust.** Power tools generate sparks that can easily ignite dust or fumes.
- c) **Keep children and other bystanders away from the area where you are using the power tool.** Distractions can cause you to lose concentration and control.

#### 2) Electrical safety

- a) **The power tool's plug must fit correctly into the wall socket. Never modify the plug in any way. Never use an adaptor together with earthed power tools.** Unmodified plugs and suitable wall sockets minimize the risk of electric shocks.
- b) **Avoid physical contact with earthed objects such as pipes, radiators, ovens and refrigerators.** There is an increased risk of receiving an electrical shock if your body is earthed.
- c) **Do not expose the power tool to rain or other wet conditions.** If water gets inside the power tool, it increases the risk of electric shock.
- d) **Do not abuse the mains lead. Never use the lead to carry the tool or pull the plug from a wall socket. Keep the lead away from heat, oil, sharp edges and moving parts.** Damaged or tangled leads increase the risk of electric shock.

- e) **When using power tools outdoors, use an extension lead that is suitable for such purpose.** The use of an extension lead designed for outdoor use decreases the risk of electric shocks.
- f) **If the use of the power tool in a wet environment is unavoidable, a wall socket equipped with a residual current device (RCD) should be employed.** Use of an RCD significantly reduces the risk of electric shock.

### 3) *Personal safety*

- a) **Pay attention to what you are doing and use common sense when using power tools. Never use power tools if you are tired or under the influence of drugs, alcohol or medication.** One moment of inattention while using a power tool may result in serious injury.
- b) **Wear protective clothing. Always wear safety glasses.** Using protective clothing such as dust masks, non-slip safety shoes, helmets and ear defenders decreases the risk of injury.
- c) **Avoid accidental starts. Make sure that the power switch is set to OFF before plugging the power tool into a wall socket, fitting the battery or picking up/ carrying the power tool.** Carrying a power tool with your finger on the power switch/trigger or connecting the power tool to a wall socket when the power switch is set to ON is inviting an accident.
- d) **Remove all service tools/keys before switching on the power tool.** A service tool left on any of the power tool's rotating parts may result in injury.
- e) **Do not overreach. Make sure you stand steady and well balanced at all times.** This ensures better control over the power tool in unexpected situations.
- f) **Wear suitable clothing. Do not wear loose-fitting clothing or jewellery. Keep hair, clothes and gloves away from moving parts.** Loose-fitting clothes, jewellery or long hair could become caught in moving parts.
- g) **If equipment for dust extraction or collecting is available make sure it is connected and used properly.** Using of the aforementioned technical aids may decrease the risk of dust related hazards.

### 4) *Use and maintenance of the power tool*

- a) **Do not force the power tool. Use a power tool suitable for the work you are about to perform.** The proper power tool will perform the task better and safer if used at the correct feed rate.
- b) **Never use the power tool if the power switch does not switch the tool on and off properly.** All power tools that cannot be controlled by the power switch are dangerous and must be repaired.
- c) **Unplug the lead from the wall socket or remove the battery before making any adjustments, changing accessories or storing the power tool.** These precautions reduce the risk of the power tool starting unexpectedly.

- d) **Store power tools that are not being used out of children's reach. Do not allow people who are unfamiliar with the tool or its functions to operate the tool.** Power tools can be dangerous if they fall into the hands of inexperienced users.
- e) **Maintaining power tools. Check for any incorrect settings, parts that catch, broken parts or anything else which may cause the power tool to malfunction. Any detected damage must be repaired before use.** Accidents are frequently caused by poorly maintained power tools.
- f) **Keep cutting tools sharp and clean.** Properly maintained cutting tools with sharp blades are less likely to jam and are easier to control.
- g) **Use the power tool, and any accessories in accordance with these instructions, take into consideration the working conditions and the work that is to be performed.** Use of power tools for purposes other than that for which they are intended could result in a dangerous situations.

### 5) *Using and maintaining cordless power tools*

- a) **Charge the battery using a charger recommended by the manufacturer.**
- b) **The tool is supplied with a battery provided by the manufacturer. Do not use any other battery.**
- c) **If handled incorrectly, battery fluid can leak from the battery. If this fluid should come into contact with skin; rinse the area thoroughly with water. Always contact a doctor if this fluid comes into contact with your eyes.**

### 6) *Service*

- a) **Repairs and service should only be performed by qualified tradesmen, and only with original spare parts.** This guarantees that the power tool's safety features are correctly maintained.

## Specific safety instructions for hedge trimmers

- This product must not be used by anyone (including children) suffering from physical or mental impairment. This product should not be used by anyone that has not read the instruction manual unless they have been instructed in its use by someone who will take responsibility for their safety.
- Keep all body parts away from the cutter bar. Do not remove cut debris or hold onto any material that you are cutting whilst the cutter bar's blades are in motion. Remove the battery before dislodging any debris. One moment of carelessness can result in serious personal injury.
- Never allow children to play with the product.
- Turn off the hedge trimmer and carry it by the handle when moving it short distances. Always have the blade guard in place when storing or transporting the hedge trimmer. Correct use of the hedge trimmer will reduce the likelihood of personal injury caused by the cutter bar's blades.
- Make sure that there are no foreign objects like fencing wire, etc. in the hedge/ bush that you wish to trim.

- Always hold the hedge trimmer in both hands when using it.
- The blades will continue in motion for a few seconds after the power has been turned off.
- **Note:** Do not touch the blades while they are in motion.
- Keep all body parts away from the cutter bar's blades. Do not remove debris from the blades or hold onto any material that you are cutting whilst the trimmer blades are in motion. Remove the battery before dislodging any debris.
- Always switch off the hedge trimmer and have the blade guard mounted in place whenever moving or transporting it.
- Always inspect the hedge before cutting it to make sure that it does not contain any foreign objects.
- Always hold the hedge trimmer in both hands during use.

## General safety instructions for batteries and chargers

- Always be carefully of inadvertent starts while attaching the battery. Make sure that both the safety lock and start switch are not engaged.
  - Only use the included battery charger or a charger recommended by the manufacturer. The battery charger is only designed to charge certain types of batteries. If a charger designed for another type of battery is used the risk for fire or explosion is significantly increased.
  - Only use batteries designed for the electric hand tool it was specifically designed for. Use of any other types of batteries can lead to fire and/or bodily injury.
  - Keep unused batteries a safe distance away from paper clips, screws, nails and other metal objects that could potentially short-circuit the battery's terminals. Short-circuiting the battery's terminals can lead to fire or explosion.
  - Battery fluid can leak from the battery if it is damaged. Avoid physical contact with this liquid. If this fluid comes into contact with skin; rinse the area thoroughly with water. Any fluid contact with the eyes requires the immediate medical attention of a qualified doctor. Leaking battery acid can cause skin irritation or burn injuries.
- The battery can become hot after a longer period of use. Let it cool before attempting to recharge it.
  - Never attempt to open the battery casing.
  - Never store a battery in direct sunlight or at temperatures above 40 °C.
  - Only charge the battery when the ambient temperature is between 10 °C and 40 °C.
  - Never expose the battery or its charger to water.
  - Keep the charger and batteries out of the reach of children.
  - Never use the battery charger or batteries in environments where flammable liquids or gases are stored.
  - Always transport batteries in a safe manner ensuring that they do not come into contact with each other and never in a metal container.
  - Check that the battery charger and mains lead are whole and undamaged before use.

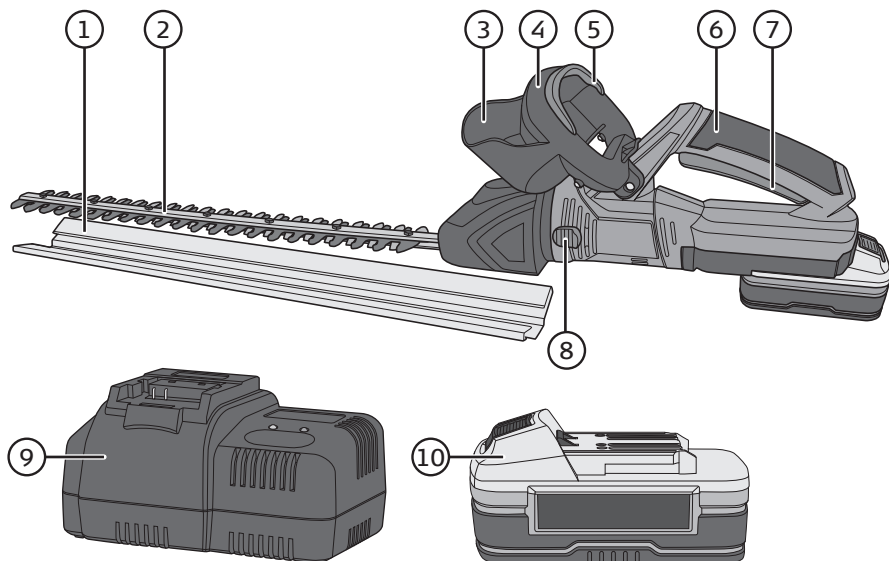
- Charge the battery completely if it is not to be used for an extended period.
- The battery must only be charged with a charger that conforms to EN60335-2-29 standards.

## Safety symbols



1. Wear protective eyewear and hearing protection.
2. **Warning: Danger!** Incorrect use of the hedge trimmer can present a danger both to you and your surrounding environment.
3. Read the entire instruction manual before using the hedge trimmer.
4. Never leave the hedge trimmer exposed to the rain or humid conditions.
5. Keep the battery away from naked flames, it could explode.
6. Read all safety instructions and warnings.
7. Do not expose the battery to continuous sunlight where the risk of the battery's temperature exceeding 40 °C is highly probable.
8. Lithium-ion battery. The battery may not be disposed of together with normal household waste but must be disposed of in accordance with your local laws and regulations. Contact your local council if you are at all unsure how to proceed.

## Buttons and functions



1. Blade guard
2. Cutter bar
3. Hand guard
4. Front handle
5. Safety lock
6. Rear handle
7. Start switch
8. Cutter bar position lock
9. Charger
10. Battery

### Charging the battery

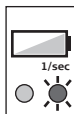
Temperature range for charging and storing the battery: 0–40 °C.

1. Depress the battery release catch on top of the battery and slide it out and away from the tool.
2. Put the battery into its charger and make sure that it clicks securely into place.
3. Connect the charger's mains lead to a 230 V, 50 Hz electrical socket.
4. Refer to the LED function markings on the top side of the charger:

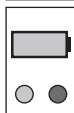




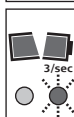
Steady green light and red light off:  
The charger is connected to the power supply but is not charging.  
(Nothing happens if a fully-charged battery is connected to the charger)



Red light flashing once per second and steady green light:  
Charging is in progress.



Steady green and red light:  
The battery has been fully charged.



Red light flashing three times per second and steady green light:  
Faulty battery.

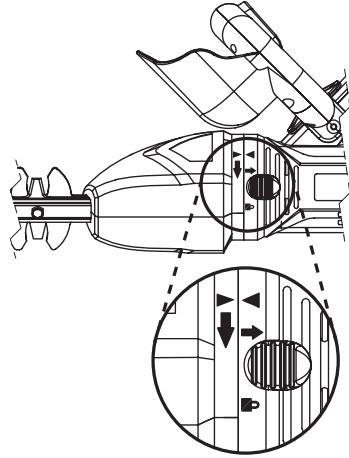
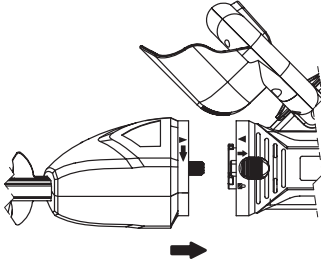
- When charging is complete, press the battery release catch and remove it from the charger.

#### Note:

- The lithium-ion battery has a built-in electronic deep discharge protection which prevents partial power from being delivered. Full power is provided at all times until the electronic protection engages, turning off the trimmer and signifying that the battery needs to be recharged. The tool will then switch off automatically. Do not attempt to continue work after this point as doing so may damage the battery. A battery recharge is now required before any work is resumed.
- The battery also has a built-in electronic overload protection. If the tool is put under too much pressure, the electronics automatically cut the power and the tool stops. Release the trigger and wait a few seconds before switching the trimmer on again.
- The lithium-ion battery has no memory which means that it can be charged at any time regardless of battery level.
- Charge the battery for at least 6 hours the first and second time it is charged.
- For long-term storage the battery should be fully charged at least every 6 months.

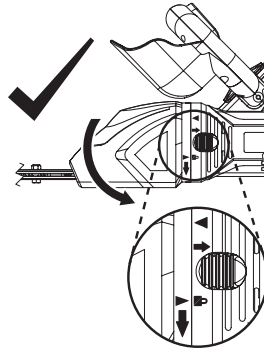
## Assembly

**Note:** It is very important that the cutter bar attachment is twisted on in the correct direction as described below. If the cutter bar is twisted in the wrong direction you will not be able to twist it back again.



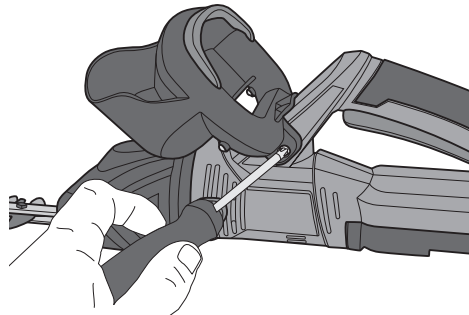
1. Align the parts of hedge trimmer so that the two arrows point to each other.
2. Join the two parts so that the arrows meet.
3. Twist the cutter bar attachment until the arrow points to the lock symbol. A clicking sound indicates that the assembly has been successful.

Once assembled, the cutter bar can only be twisted clockwise away from the lock symbol, it cannot be twisted back so that the arrows point to each other again.



## Front handle with safety lock and hand guard

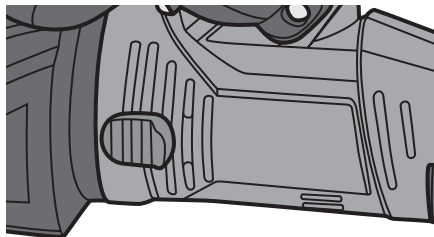
Attach the front handle assembly onto the hedge trimmer using the two included screws.



# Operating instructions

## Start

Pre-start inspection routine:



- Check that the motor's ventilation ports are free and clear.
  - Check that the trimmer and its battery are whole and undamaged.
  - Check that both the safety lock and start switch press in and release easily, and do not catch or function abnormally in any other way.
  - Check that both handles are clean and easily gripped.
1. Ensure that the blade guard is removed.
  2. Attach the battery to the trimmer and make sure that it clicks securely into place.
  3. Hold both the safety lock and start switch pressed in. The trimmer should now start.  
**Note:** Both the safety lock and start switch must be held in to keep the motor in continuous operation.
  4. The trimmer will automatically stop if either the safety lock or start switch is released.

**Note:** Sparks may sometimes be noticed inside the motor housing when the motor is turned off. This is completely normal.

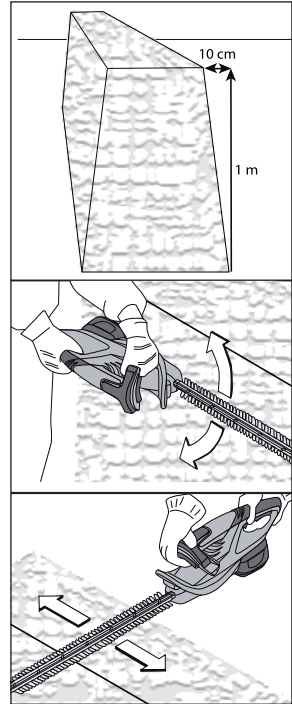
## Repositioning the cutter bar

The trimmer's cutter bar can be swivelled to 90° to simplify cutting the sides of hedges.

1. Remove the battery from the hedge trimmer.
2. Pull the catch (8) backwards and adjust the cutter bar to the 90° position.

## Cutting/trimming

- Make sure that there are no hidden obstacles (metal poles/wire fences) in the area to be trimmed.
- Max twig thickness: 15 mm.
- Hold the trimmer firmly; maintain a steady stance and do not lean out too far. Be extra careful when using a ladder.
- Move the trimmer along in a slow and steady motion.
- The double-sided cutter bar enables trimming in both directions or in a pendulum action from side to side.
- For even trimming on the sides it is better to cut in the direction of growth, from the bottom up. If you cut from the top down, the thinner twigs will bend out and there is a risk of holes or thin patches appearing in your hedge.
- In order to ensure a straight top edge, you can stretch a length of string over the hedge as a guide.



## Care and maintenance

**Note:** Remove the battery before cleaning or adjusting the trimmer.

- Do not expose the tool to rain.
- Wear protective gloves when handling or cleaning the blades.
- Regularly check that the start switch and safety lock are undamaged and work correctly.
- Regularly check the condition of the blades and make sure that all screws in the cutter bar are tight and secure.
- Lubricate the cutter bar with an appropriate lubricant if the trimmer is not to be used for a long time.
- Clean the exterior of the tool with a soft brush and cloth.
- Do not use any water, solvents or polishes for cleaning.
- Remove all dirt, especially from around the motor's ventilation ports.
- Store the trimmer in a dry, dust-free environment out of the reach of children.
- Do not store the battery in temperatures below zero.
- Always keep the blade guard on when the hedge trimmer is not in use.

## Troubleshooting guide

The trimmer does not start.	<ul style="list-style-type: none"> <li>• The battery is discharged.</li> <li>• Make sure that you have fully depressed both the safety lock and start switch completely.</li> </ul>
The cutter bar and blades become hot.	<ul style="list-style-type: none"> <li>• Lubricate the blades and sharpen them if necessary.</li> </ul>
Poor battery operating time.	<ul style="list-style-type: none"> <li>• The hedge trimmer runs sluggishly. Lubricate the cutter bar and blades.</li> <li>• The battery is not fully charged.</li> <li>• The battery needs replacing.</li> </ul>
The battery does not charge.	<ul style="list-style-type: none"> <li>• The battery is not correctly inserted into the charger.</li> <li>• The battery or charger contacts are dirty.</li> <li>• The battery needs replacing.</li> <li>• The mains lead is not securely plugged into the wall socket.</li> <li>• Check to see if there is power at the wall socket.</li> <li>• The charger or its cable is damaged.</li> <li>• The battery is defective and must be replaced.</li> </ul>

## Responsible disposal

This symbol indicates that this product should not be disposed of with general household waste. This applies throughout the entire EU. In order to prevent any harm to the environment or health hazards caused by incorrect waste disposal, the product must be handed in for recycling so that the material can be disposed of in a responsible manner. When recycling your product, take it to your local collection facility or contact the place of purchase. They will ensure that the product is disposed of in an environmentally sound manner.



## Specifications

### Hedge trimmer

No-load speed	1400 min <sup>-1</sup>
Cutter bar length	510 mm
Cutting capacity	15 mm
Weight	3 kg with 2 Ah battery or 3.2 kg with 4.0 Ah battery
Sound pressure	LpA: 71.7 dB(A), K = 3 dB(A) LwA: 85.6 dB(A), K = 3 dB(A)
Vibration value	3.415 m/s <sup>2</sup> , K = 1.5 m/s <sup>2</sup>

### Battery 18 V li-ion

Capacity	2 Ah
Charging time	1 hour

### Battery charger

Power supply	230 V, 50/60 Hz
Output	18 V DC
Output current	2.5 A

# Häcksax 18 V LI

Art.nr 18-4631 Modell DCHT201B-UK  
31-1327-1 DCHT201B  
31-1328 DCHT201

Läs igenom hela bruksanvisningen före användning och spara den sedan för framtida bruk. Vi reserverar oss för ev. text- och bildfel samt ändringar av tekniska data. Vid tekniska problem eller andra frågor, kontakta vår kundtjänst (se adressuppgifter på insidan av omslaget).

## Säkerhet

### Generella säkerhetsinstruktioner för elektriska handverktyg

**Varning!** Läs alla instruktioner. Om nedanstående instruktioner inte följs kan detta leda till elektrisk stöt, brand eller allvarlig skada.

SPARA DESSA INSTRUKTIONER.

Termen "elektriskt handverktyg" i varningstexten nedan refererar till ditt nätanslutna eller batteridrivna handverktyg.

#### 1) Arbetsutrymmet

- Håll arbetsutrymmet rent och väl upplyst.** Belamrade och mörka utrymmen inbjuder till olyckor.
- Använd inte elektriska handverktyg i explosiva miljöer, som i närheten av lättantändliga vätskor, gaser eller damm.** Elektriska handverktyg genererar gnistor som kan antända damm eller ångor.
- Håll undan barn och åskådare medan du använder det elektriska handverktyget.** Störningsmoment kan göra att du tappar kontrollen över verktyget.

#### 2) Elektrisk säkerhet

- Det elektriska handverktygets stickpropp måste passa i vägguttaget. Modifiera aldrig stickproppen på något vis. Använd aldrig adapter tillsammans med jordade elektriska handverktyg.** Omodifierade stickproppar och passande vägguttag minskar risken för elektrisk stöt.
- Undvik kroppskontakt med jordade föremål, t.ex. rör, element, köksspis och kylskåp.** Det innebär ökad risk för elektrisk stöt om din kropp är jordad.
- Utsätt inte det elektriska handverktyget för regn eller våta förhållanden.** Om vatten tränger in i ett elektriskt handverktyg ökar det risken för elektrisk stöt.
- Misshandla inte nätsladden. Använd aldrig nätsladden för att bära, dra eller rycka stickproppen ur vägguttaget. Håll nätsladden undan från värme, olja, vassa kanter och rörliga delar.** Skadade eller trassliga nätsladdar ökar risken för elektrisk stöt.

- e) **När du använder ett elektriskt handverktyg utomhus, använd en skarvsladd anpassad för detta ändamål.** Användning av en skarvsladd för utomhusbruk minskar risken för elektrisk stöt.
- f) **Om det inte går att undvika att det elektriska handverktyget används i fuktig miljö, använd ett vägguttag utrustat med jordfelsbrytare.** Användning av jordfelsbrytare minskar risken för elektrisk stöt.

### 3) Personlig säkerhet

- a) **Var uppmärksam på vad du gör och använd sunt förnuft när du använder ett elektriskt handverktyg. Använd inte ett elektriskt handverktyg om du är trött eller påverkad av droger, alkohol eller medicinering.** Ett ögonblicks uppmärksamhet när du använder ett elektriskt handverktyg kan resultera i allvarig personskada.
- b) **Använd skyddsutrustning. Bär alltid skyddsglasögon.** Att vid behov använda skyddsutrustning, t.ex. andningsskydd, halssäkra skyddsskor, hjälm och hörselskydd, minskar risken för personskada.
- c) **Undvik oavsiktlig start. Se till att strömbrytaren är i läge OFF innan du ansluter stickproppen till vägguttaget, ansluter batteriet eller lyfter upp/bär det elektriska handverktyget.** Att bära ett elektriskt handverktyg med ett finger på strömbrytaren/avtryckaren eller att ansluta ett elektriskt handverktyg till elnätet när strömbrytaren är i läge ON inbjuder till olyckor.
- d) **Ta bort alla serviceverktyg/nycklar innan du slår på det elektriska handverktyget.** Ett kvarglömt serviceverktyg på en roterande del av det elektriska handverktyget kan resultera i personskada.
- e) **Sträck dig inte för långt. Se till att du står stadigt med god balans hela tiden.** Detta möjliggör bättre kontroll över det elektriska handverktyget i oväntade situationer.
- f) **Bär lämplig klädsel. Bär inte löst sittande kläder eller smycken. Håll undan hår, kläder och handskar från rörliga delar.** Lösa kläder, smycken och långt hår kan fastna i rörliga delar.
- g) **Om utrustning för utsugning och uppsamling av damm finns tillgänglig, se till att denna är ansluten och används på ett korrekt sätt.** Användning av dessa hjälpmedel kan minska dammrelaterade faror.

### 4) Användning och underhåll av det elektriska handverktyget

- a) **Pressa inte det elektriska handverktyget. Använd ett elektriskt handverktyg som är avsett för det arbetsmoment du utför.** Korrekt elektriskt handverktyg gör jobbet bättre och säkrare med avsedd matningshastighet.
- b) **Använd inte det elektriska handverktyget om strömbrytaren inte slår på och stänger av verktyget.** Alla elektriska handverktyg som inte kan kontrolleras med strömbrytaren är farliga och måste repareras.
- c) **Ta stickproppen ur vägguttaget eller ta ur batteriet innan du utför några justeringar, byter tillbehör eller lägger undan det elektriska handverktyget för förvaring.** Dessa förebyggande skyddsåtgärder minskar risken för att starta det elektriska handverktyget oavsiktligt.



- d) **Förvara elektriska handverktyg som inte används utom räckhåll för barn och låt inte personer som inte är förtrogna med det elektriska handverktyget eller dessa instruktioner använda det.** Elektriska handverktyg är farliga om de kommer i händerna på ovana användare.
- e) **Underhåll elektriska handverktyg. Kontrollera om något är felinställt, om rörliga delar kärvar, om delar har gått sönder eller om något annat har inträffat som kan påverka funktionen hos det elektriska handverktyget. Om något är skadat måste det repareras före användning.** Många olyckor beror på dåligt underhållna elektriska handverktyg.
- f) **Håll skärverktyg vassa och rena.** Ordentligt underhållna skärverktyg med vassa eggar är mindre benägna att kärva och lättare att kontrollera.
- g) **Använd det elektriska handverktyget, tillbehör etc. enligt dessa instruktioner, ta hänsyn till arbetsförhållanden och till det arbete som ska utföras.** Användning av det elektriska handverktyget för andra arbeten än vad det är ämnat för kan resultera i en farlig situation.

### 5) *Användning och hantering av sladdlösa elektriska handverktyg*

- a) **Ladda bara batteriet i en av tillverkaren rekommenderad laddare.**
- b) **Verktyget har försetts med batteri från tillverkaren. Använd inget annat batteri.**
- c) **Batteriet kan läcka batterivätska om det hanteras på ett felaktigt sätt. Skölj med rikligt med vatten om vätskan kommer i kontakt med huden. Om vätskan kommer i kontakt med ögonen, uppsök läkare.**

### 6) *Service*

- a) **Låt behörig personal utföra service och reparationer, och endast med original-reservdelar.** Detta garanterar att säkerheten hos det elektriska handverktyget behålls.

## Särskilda säkerhetsföreskrifter för häcksaxar

- Häcksaxen får inte användas av personer (inklusive barn) med nedsatt fysisk eller mental förmåga. Den får inte heller användas av personer utan tillräcklig erfarenhet och kunskap ifall de inte har fått instruktioner om användningen av någon som ansvarar för deras säkerhet.
- Håll undan alla kroppsdelar ifrån svärdet. Rensa inte bort klippt material eller håll i material som ska klippas när svärdets knivar är i rörelse. Ta bort batteriet innan material som fastnat avlägsnas. Ett ögonblicks ovarsamhet vid användning kan resultera i allvarliga skador.
- Låt aldrig barn leka med häcksaxen.
- Stäng av häcksaxen och bär den i handtaget vid kortare förflyttning. Vid transport eller förvaring av häcksaxen ska alltid svärdsskyddet monteras. Korrekt användning av häcksaxen reducerar risken för personskador orsakade av svärdets knivar.
- Kontrollera före användning att det inte finns några främmande föremål som t.ex. trådstängsel i häcken/busarna du ska klippa.

- Håll alltid häcksaxen med båda händerna vid användning.
- Efter att du stängt av häcksaxen fortsätter knivarna att röra sig någon sekund.
- **Obs!** Rör inte knivar som är i rörelse.
- Håll undan alla kroppsdelar ifrån svärdet. Rensa inte bort klippt material eller håll i material som ska klippas när svärdets knivar är i rörelse. Ta bort batteriet innan material som fastnat avlägsnas.
- Vid förflyttning och transport av häcksaxen ska den vara avstängd och ha svärds-skyddet monterat.
- Kontrollera att det inte finns främmande föremål i häcken som ska klippas.
- Håll alltid häcksaxen med båda händerna vid användning.

## Säkerhetsinstruktioner för batterier och laddare

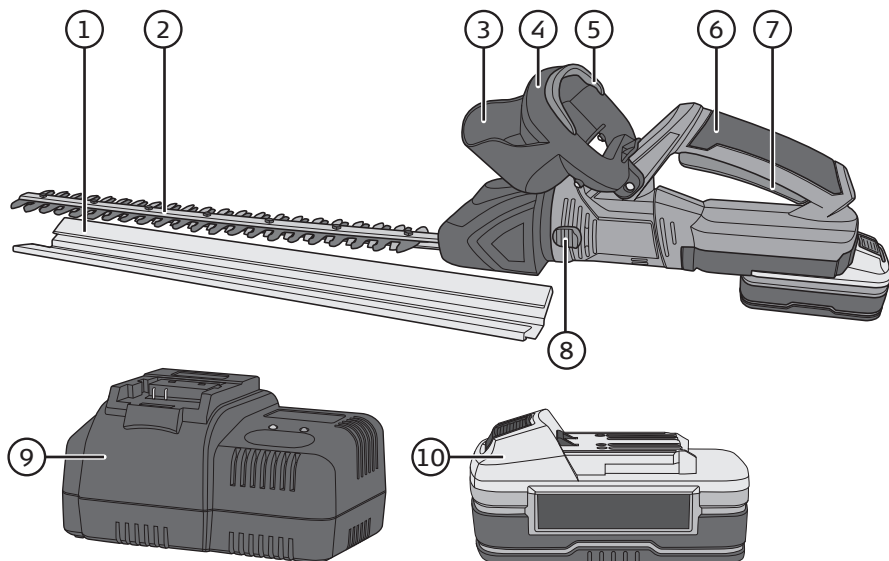
- a) Var uppmärksam när du sätter i batteriet i häcksaxen så att den inte startar oavsiktligt. Försäkra dig om att inte startspärren och startreglaget är intryckta.
  - b) Använd endast medföljande batteriladdare eller laddare rekommenderad av tillverkaren. Batteriladdare är konstruerade för att ladda en viss typ av batterier. Om laddare avsedd för annan typ av batterier används finns risk för brand eller explosion.
  - c) Använd endast batterier som är avsedda för just det elektriska handverktyg som de ska användas till. Användning av andra typer av batterier kan leda till kroppsskada och brand.
  - d) Håll batterier som inte används på avstånd från gem, mynt, nycklar, skruv eller andra små metallföremål som skulle kunna kortsluta batteriet. Om batteriet kortsluts kan det leda till brand eller explosion.
  - e) Vätska kan läcka från batteriet om det är skadat. Undvik all kontakt med vätskan. Skölj med rikligt med vatten om du oavsiktligt kommer i kontakt med vätskan. Om du får vätska i ögonen, ta omedelbart kontakt med läkare. Vätska som läcker från batterier kan orsaka hudirritation eller brännskador.
- Batteriet kan bli varmt efter att ha använts under en längre period, låt det svalna innan det laddas.
  - Försök aldrig öppna batteriet.
  - Förvara aldrig batteriet i direkt solljus eller vid temperaturer över 40 °C.
  - Ladda endast batteriet i temperaturer mellan 10 och 40 °C.
  - Utsätt aldrig batteriet eller laddaren för vatten.
  - Håll laddare och batterier utom räckhåll för barn.
  - Använd aldrig batteriladdaren eller batterier i miljöer där lättantändliga gaser eller ämnen förvaras eller används.
  - Transportera batterier på sådant sätt att de inte kommer i kontakt med varandra och aldrig i metallbehållare.
  - Kontrollera att batteriladdaren och nätkabeln är hela och oskadade innan de används.
  - Ladda upp batteriet helt om det inte ska användas under en längre period.
  - Batteriet kan endast laddas med batteriladdare som överensstämmer med standard EN60335-2-29.

## Säkerhetssymboler



1. Bär skyddsglasögon och hörselskydd.
2. **Varning! Fara!** Felaktig användning av häcksaxen kan utgöra fara för dig själv och din omgivning.
3. Läs hela bruksanvisningen innan du börjar använda häcksaxen.
4. Lämna inte häcksaxen ute i regn eller fuktiga förhållanden
5. Håll batteriet på avstånd från öppen eld, det kan explodera.
6. Läs alla säkerhetsinstruktioner och varningar.
7. Utsätt inte batteriet för ihållande solljus där det riskerar att bli varmare än 40 °C.
8. Litiumjonbatteri. Batteriet får inte kastas tillsammans med hushållssopor utan ska lämnas på därför avsedd plats. Ta kontakt med din kommun om du är osäker.

## Knappar och funktioner



1. Svärdsskydd
2. Svärd
3. Skydd för stödhandtag
4. Stödhandtag
5. Spärr för startreglage
6. Handtag
7. Startreglage
8. Spärr för vridning av svärd
9. Laddare
10. Batteri

### Laddning av batteri

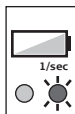
Temperaturintervall för laddning och förvaring av batteri: 0–40 °C.

1. Tryck ner snäpplåset på batteriets ovansida och dra det rakt bakåt, ut ur häcksaxen.
2. Sätt batteriet i laddaren och se till att det klickar fast ordentligt.
3. Sätt laddarens nätkabel i ett vägguttag med 230 V, 50 Hz.
4. Se märkningen på batteriladdarens ovansida som visar LED-indikatorernas funktion:



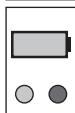
Fast grönt och släckt rött sken:

Laddaren är nätansluten och ingen laddning sker. (Ansluter man ett laddat batteri till laddaren händer ingenting)



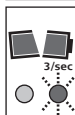
Blinkar rött en gång per sekund och fast grönt sken:

Laddning pågår.



Fast grönt och rött sken:

Batteriet har blivit fulladdat.



Blinkar rött tre gånger per sekund och fast grönt sken:

Batterifel.

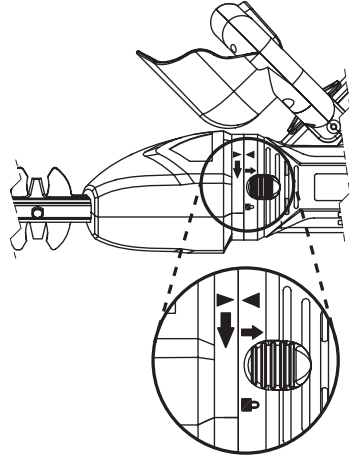
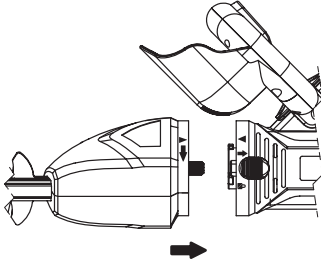
5. När laddningen är klar, tryck ner spärren på batteriet och dra ut det ur laddaren.

### Obs!

- Litiumjonbatteriet har ett inbyggt elektroniskt skydd mot total urladdning vilket betyder att det inte tappar effekt efter hand utan ger full effekt ända tills elektroniken bryter strömmen för att batteriet behöver laddas. Verktuget stannar då direkt. Försök inte fortsätta arbetet när detta händer utan ladda batteriet för att det inte ska skadas.
- Batteriet har inbyggt elektroniskt skydd mot överbelastning. Om verktuget pressas för hårt slår elektroniken ifrån och verktuget stannar. Släpp då avtryckaren och vänta några sekunder innan häcksaxen startas igen.
- Litiumjonbatteriet har ingen minnesfunktion vilket betyder att det kan laddas när som helst oavsett laddstatus.
- Ladda batteriet minst 6 timmar de två första gångerna det laddas.
- Vid långtidsförvaring ska batteriet laddas upp fullt minst var 6:e månad.

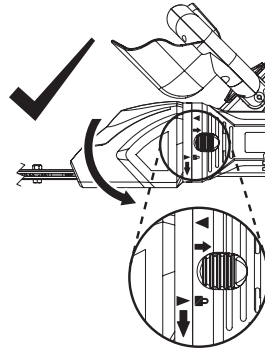
## Montering

**Obs!** Det är mycket viktigt att vridningen av svärdsfästet som beskrivs nedan görs åt rätt håll. Om fästet vrids åt fel håll går det inte att vrida tillbaka.



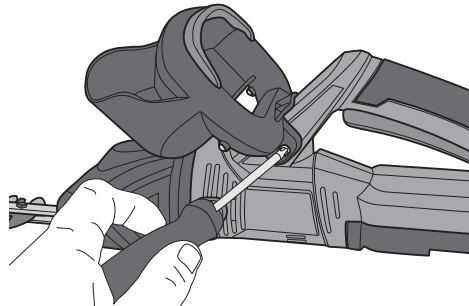
1. Håll häcksaxens delar så att de 2 pilarna pekar mot varandra.
2. Skjut ihop delarna så att pilarna möts.
3. Vrid svärdsfästet så att pilen pekar mot låssymbolen. Ett klickljud indikerar att monteringen är korrekt utförd.

Efter montering går svärdet endast att vrida medurs från låssymbolen, det kan inte vridas tillbaka så att pilarna möts som vid montering.



## Stödhandtag med startspärr och handskydd

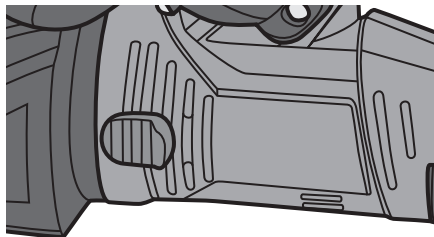
Montera stödhandtaget på häcksaxen och fäst det med de 2 skruvarna.



# Användning

## Start

Kontrollera före start att:



- Motorns luftintag är öppna.
  - Häcksaxen och batteriet är oskadade.
  - Spärren för startreglaget och startreglaget går lätt och inte fastnar eller på annat sätt fungerar onormalt.
  - Handtag och stödhandtag är rena och ger bra grepp.
1. Ta bort svärdsskyddet från svärdet.
  2. Skjut in batteriet på sin plats och se till att det klickar fast ordentligt.
  3. Tryck in spärren för startreglaget och sedan startreglaget. Häcksaxen startar.  
**Obs!** Både startspärr och startreglage måste hela tiden vara intryckta för att häcksaxens motor ska gå.
  4. Häcksaxen slås av genom att du släpper antingen spärren för startreglaget eller startreglaget.

**Obs!** Gnistor kan ibland synas i motorns luftintag när den stängs av. Detta är helt normalt.

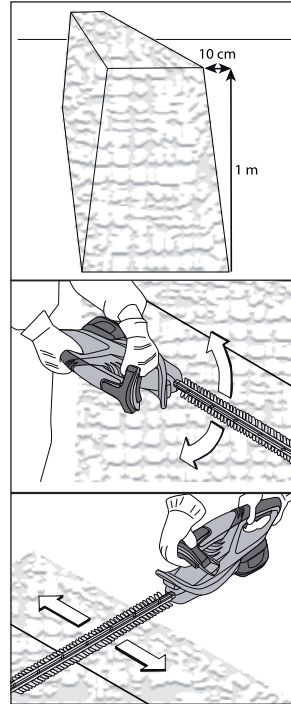
## Vridning av svärd

Häcksaxens svärd kan vridas 90° för att underlätta klippning av häckens sidor.

1. Ta ut batteriet ur häcksaxen.
2. Dra spärren bakåt (8) och vrid svärdet 90°.

## Klippning/beskärning

- Kontrollera att inga främmande föremål (metalltrådar/stolpar) finns osynliga inne i området som ska klippas.
- Max grentjocklek  $\varnothing$  15 mm.
- Håll häcksaxen ordentligt och stå stadigt, luta dig inte för långt. Var extra försiktig om du använder stege.
- För häcksaxen framåt, sakta och stadigt i den tänkta klipplinjen.
- Med det dubbelsidiga svärdet kan klippning ske i båda riktningarna eller med pendlande rörelser från sida till sida.
- För jämn klippning på sidorna är det bäst att klippa i tillväxtriktning nerifrån och upp. Om klippning sker uppifrån och ner böjer sig de tunnare kvistarna utåt varvid risk finns att tunna ställen eller hål uppstår i häcken.
- För att få en jämn övre kant kan man spänna upp snören över häcken som riktmärke.



## Skötsel och underhåll

**Obs!** Ta bort batteriet innan skötsel eller underhåll utförs på häcksaxen.

- Utsätt inte häcksaxen för regn.
- Använd skyddshandskar vid hantering och rengöring av svärdet.
- Kontrollera regelbundet att spårren för startreglaget och startreglaget är oskadade och fungerar på rätt sätt.
- Kontrollera regelbundet knivarnas skick och se till att skruvarna på svärdet är åtdragna.
- Olja in svärdet och knivarna med lämplig olja om häcksaxen inte ska användas under en längre period.
- Rengör häcksaxen utvändigt med en mjuk borste och en trasa.
- Använd inte vatten, lösningsmedel eller polermedel.
- Avlägsna all smuts, speciellt från motorns ventilationsöppningar.
- Förvara häcksaxen dammfritt och torrt, utom räckhåll för barn.
- Förvara inte batteriet i minusgrader.
- Ha alltid svärdsskyddet monterat då häcksaxen inte används.



## Felsökningsschema

Häcksaxen startar inte.	<ul style="list-style-type: none"> <li>Batteriet är urladdat.</li> <li>Försäkra dig om att du trycker in både spärren för startreglaget och startreglaget ordentligt.</li> </ul>
Svärdet och knivarna blir heta.	<ul style="list-style-type: none"> <li>Olja in svärdet och låt en fackman slipa knivarna vid behov.</li> </ul>
Dålig batteritid.	<ul style="list-style-type: none"> <li>Häcksaxen går tungt. Smörj och rengör svärd och knivar.</li> <li>Batteriet är inte fulladdat.</li> <li>Batteriet behöver bytas ut.</li> </ul>
Batteriet laddas inte.	<ul style="list-style-type: none"> <li>Batteriet sitter inte ordentligt monterat i laddaren.</li> <li>Batteriets eller laddarens kontakter är smutsiga.</li> <li>Batteriet behöver bytas ut.</li> <li>Nätkabeln sitter inte ordentligt i vägguttaget.</li> <li>Kontrollera att det finns ström i vägguttaget.</li> <li>Laddaren eller dess kabel är skadad.</li> <li>Batteriet är defekt och måste bytas ut.</li> </ul>

## Avfallshantering

Denna symbol innebär att produkten inte får kastas tillsammans med annat hushållsavfall. Detta gäller inom hela EU. För att förebygga eventuell skada på miljö och hälsa, orsakad av felaktig avfallshantering, ska produkten lämnas till återvinning så att materialet kan tas omhand på ett ansvarsfullt sätt. När du lämnar produkten till återvinning, använd dig av de returhanteringssystem som finns där du befinner dig eller kontakta inköpsstället. De kan se till att produkten tas om hand på ett för miljön tillfredställande sätt.



## Specifikationer

### Häcksax

Varvtal	1400 v/min
Svärdlängd	510 mm
Grenkapacitet	15 mm
Vikt	3 kg med 2 Ah-batteri och 3,2 kg med 4,0 Ah-batteri
Ljud	LpA: 71,7 dB(A), K = 3 dB(A) LwA: 85,6 dB(A), K = 3 dB(A)
Vibration	3,415 m/s <sup>2</sup> , K = 1,5 m/s <sup>2</sup>

### Batteri 18 V li-jon

Kapacitet	2 Ah
Laddtid	1 tim

### Batteriladdare

Nätanslutning	230 V, 50–60 Hz
Utspänning	18 V DC
Utgående strömstyrka	2,5 A

# Hekksaks, 18 V LI

Art.nr.	18-4631	Modell	DCHT201B-UK
	31-1327-1		DCHT201B
	31-1328		DCHT201

Les brukerveiledningen grundig før produktet tas i bruk og ta vare på den for framtidig bruk. Vi reserverer oss mot ev. feil i tekst og bilde, samt forandringer av tekniske data. Ved tekniske problemer eller spørsmål, ta kontakt med vårt kundesenter. (Se opplysninger om kundesenteret i denne bruksanvisningen).

## Sikkerhet

### Generelle sikkerhetsinstruksjoner for elektrisk håndverktøy

**Advarsel!** Les gjennom hele brukerveiledningen. Hvis man ikke følger bruksanvisningen, kan det føre til elektrisk støt, brann og/eller andre alvorlige skader.

TA VARE PÅ DENNE VEILEDNINGEN.

Med «elektrisk håndverktøy» i den følgende teksten menes verktøy som enten er koblet til strømmettet eller batteridrevne håndverktøy.

#### 1) Arbeidsplassen

- Hold arbeidsplassen ren, ryddig og godt opplyst.** Rot og dårlig opplyst arbeidsplass kan forårsake ulykker.
- Ikke bruk elektriske håndverktøy i eksplosjonsfarlige omgivelser, som for eksempel nær lettantennelige væsker, gasser eller støv.** Elektrisk håndverktøy kan danne gnister, som igjen kan antenne støv eller trespon.
- Hold barn og andre tilskuere på god avstand mens du bruker elektriske håndverktøy.** Forstyrrelser kan føre til at man mister kontrollen.

#### 2) Sikkerhet ved bruk av elektrisk strøm

- Støpselet til det elektriske verktøyet må passe inn i strømuttaket. Støpselet må ikke endres på. Bruk aldri adapter sammen med elektrisk håndverktøy som krever jording.** Ved bruk av originale støpsler reduseres faren for elektrisk støt.
- Unngå kroppskontakt med jodede gjenstander, som rør, ovner, komfyrer og kjøleskap.** Kroppskontakt med disse øker faren for elektrisk støt.
- Elektrisk håndverktøy bør ikke utsettes for regn eller fuktighet.** Hvis det kommer vann inn i et elektrisk håndverktøy, øker faren for elektrisk støt.
- Påse at ikke strømledningen blir skadet. Bær aldri apparatet i strømledningen. Trekk heller ikke i strømledningen når støpselet skal tas ut av strømuttaket. Hold ledningen unna varme, olje, skarpe kanter eller bevegelige deler.** Skadede eller deformerte ledninger kan øke faren for elektrisk støt.

- e) **Ved bruk av elektrisk håndverktøy utendørs, skal man benytte en skjøteledning som er beregnet til dette formålet.** Når skjøteledning som er beregnet for utendørs bruk benyttes, reduseres faren for elektrisk støt.
- f) **Hvis håndverktøyet må brukes i fuktige omgivelser må strømuttaket være utstyrt med jordfeilbryter.** Bruk av jordfeilbryter reduserer faren for elektrisk støt.

### 3) *Personlig sikkerhet*

- a) **Vær oppmerksom og bruk sunn fornuft ved bruk av elektrisk verktøy. Ikke bruk elektriske håndverktøy når du er trett eller påvirket av rusmidler, alkohol eller sterke medisiner.** Når du bruker elektrisk håndverktøy kan et lite øyeblikks uoppmerksomhet resultere i store personskader.
- b) **Bruk verneutstyr. Benytt alltid vernebriller.** Verneutstyr som støvmaske, sklisikre såler på skoene, hjelm og hørselsvern, reduserer faren for personskade.
- c) **Unngå uønsket oppstart. Pass på at strømbryteren er innstilt på OFF før støpselet kobles til et strømuttak, kobler til batteriet eller løfter/bærer det elektriske håndverktøyet.** Det å bære et elektrisk håndverktøy med en finger på strømbryteren/avtrekkeren eller å koble det til strømmettet når strømbryteren er innstilt på ON kan føre til skader.
- d) **Fjern alle nøkler, serviceverktøy etc. før det elektriske håndverktøyet startes.** Et gjenglemt serviceverktøy på en roterende del, kan forårsake personskader.
- e) **Strekk deg ikke for langt. Påse at du står stødig og har god balanse i kroppen under hele arbeidsoperasjonen.** Dette gjør at man har bedre kontroll over verktøyet i de fleste situasjoner.
- f) **Benytt fornuftige arbeidsklær. Ikke bruk løstsittende klær og smykker. Ikke bruk løstsittende klær og smykker.** Løstsittende klær, smykker eller langt hår, kan feste seg i bevegelige deler.
- g) **Hvis det er mulig å koble til en støvsamler/støvsuger, bør dette gjøres.** Ved bruk av slike hjelpemidler, kan en redusere faren for støvrelaterte skader og ulykker.

### 4) *Bruk og vedlikehold av det elektriske håndverktøyet*

- a) **Ikke press det elektriske håndverktøyet. Bruk elektriske håndverktøy som er beregnet til den arbeidsoperasjonen du skal utføre.** Riktig hastighet på matingen er viktig for å utføre bedre og sikrere arbeid.
- b) **Ikke bruk det elektriske håndverktøyet dersom det er feil på strømbryteren og den ikke skrur verktøyet på/av med din kontroll.** Alle elektriske håndverktøy, som ikke kan kontrolleres med en strømbryter, er farlige og må repareres.
- c) **Trekk ut støpselet før justeringer utføres, ved skifte av tilbehør eller når verktøyet legges til oppbevaring.** Dette for å unngå at elektrisk håndverktøy får en ukontrollert start.
- d) **Oppbevar elektrisk håndverktøy utilgjengelig for barn. Påse også at elektrisk håndverktøy er utilgjengelig for personer som ikke har fått tilstrekkelig opplæring på eller er fortrolig med verktøyet.** Elektrisk håndverktøy kan være farlige dersom de kommer i hendene på ukyndige.

- e) **Hold det elektriske håndverktøyet ved like. Kontroller at verktøyet ikke er feilinnstilt, at bevegelige deler ikke beveger seg usymmetrisk, at ingen deler er skadet eller at det elektriske håndverktøyet har andre feil som kan påvirke dets funksjon. Dersom noe er skadet må dette repareres før verktøyet tas i bruk.** Mange ulykker skyldes dårlig eller manglende vedlikehold.
- f) **Hold verktøyene skarpe og rene. Påse også at det elektriske verktøyet holdes skarpt.** Godt vedlikeholdt skjæreverktøy, med skarpe egger, er lettere å kontrollere.
- g) **Bruk håndverktøyet og tilbehøret som beskrevet i instruksjonene. Ta hensyn til arbeidsforholdene og det arbeidet som skal utføres.** Bruk av elektrisk håndverktøy til andre arbeidsoperasjoner enn det som det er beregnet til, kan skape farlige situasjoner.

### 5) *Bruk og håndtering av kabelfrie elektriske håndverktøy*

- a) **Batterier skal lades i en lader som er anbefalt av produsenten.**
- b) **Verktøyet er utstyrt med batteri fra produsenten. Andre batterier må ikke benyttes.**
- c) **Batteriet kan lekke batterisyre hvis det behandles feil. Skyll med vann dersom batterisynen kommer i kontakt med huden. Dersom syren kommer i kontakt med øynene, må lege oppsøkes.**

### 6) *Service*

- a) **La profesjonelle fagfolk foreta service og reparasjoner. Benytt kun originale reservedeler.** Dette for å opprettholde sikkerheten ved bruk av det elektriske håndverktøyet.

## Spesielle sikkerhetsforskrifter for hekksakser

- Produktet må ikke benyttes av personer (inkl. barn) med begrensede fysiske eller mentale ferdigheter. Det må heller ikke benyttes av personer som ikke har tilstrekkelig erfaring og kunnskap, dersom de ikke har fått opplæring i bruken av noen som har ansvaret for deres sikkerhet.
- Hold alle kroppsdelene unna sverdet. Rens ikke bort klippet materiale med sverdet når knivene er i bevegelse. Hold heller ikke i grener som skal klippes mens klipping pågår. Ta ut batteriet før materialer som har satt seg fast i hekksaksen skal løsnes og fjernes. Et øyeblikks uoppmerksomhet ved bruk kan fort resultere i alvorlige personskader.
- La aldri barn leke med produktet.
- Steng hekksaksen og bær den i håndtaket når den skal flyttes på. Ved transport og oppbevaring av hekksaksen skal alltid beskyttelsen monteres. Riktig bruk av hekksaksen reduserer faren for personskader fra sverdet kniver.
- Kontroller før bruk at det ikke finnes noen fremmede gjenstander som f.eks. metalltråder i hekken/busken som skal klippes.
- Hold alltid i hekksaksen med begge hendene ved bruk.
- Hekksaksens kniver er i bevegelse i noen sekunder etter at produktet er stoppet.
- **Obs!** Ikke ta på kniver som er i bevegelse.

- Hold alle kroppsdeler unna sverdet. Fjern ikke rester av kvist fra sverdet mens knivene er i bevegelse. Ta ut batteriet før kvist som har satt seg fast i hekksaksen skal løsnes på og fjernes.
- Når hekksaksen skal flyttes på eller transporteres må den være avstengt og sverddekselet skal være montert.
- Før klippingen starter bør hekken sjekkes så det ikke ligger gjenstander skjult i den.
- Hold alltid i hekksaksen med begge hendene ved bruk.

## Sikkerhetsinstruksjoner for batterier og ladere

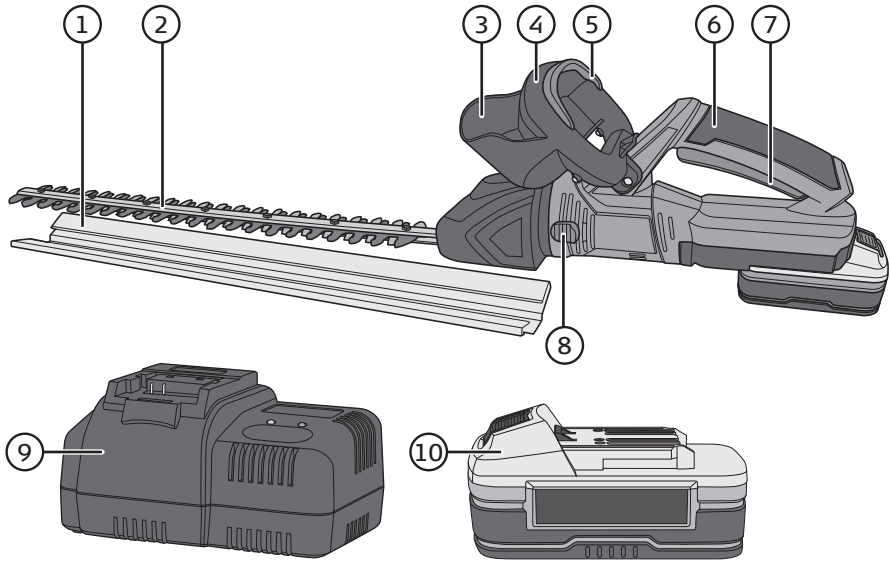
- a) Vær forsiktig når batteriet settes i hekksaksen så den ikke får en uønsket start. Forviss deg om at ikke startsperreren og startbryteren er trykket inn.
  - b) Bruk kun den medfølgende batteriladere eller en lader som er anbefalt av produsenten. Batteriladere er konstruert for å lade opp en viss type batterier. Hvis man bruker ladere som er beregnet på andre typer batterier, utgjør det en fare for brann eller eksplosjon.
  - c) Bruk batterier som er beregnet for det spesielle elektriske håndverktøyet som det skal brukes til. Bruk aldri andre typer batterier da det kan føre til personskader og brann.
  - d) Hold batterier som ikke er i bruk vekk fra binders, mynter, nøkler, skruer og andre små metallgjenstander som kan kortslutte batteriet. Hvis batteriet kortsluttes kan det føre til brann eller eksplosjon.
  - e) Hvis batteriet er skadet kan det lekke væske. Unngå all kontakt med denne væsken. Skyll med vann dersom batterisyren kommer i kontakt med huden. Hvis du får væsken på øynene må lege kontaktes umiddelbart. Væske som lekker ut av batterier kan føre til hudirritasjon eller brannskader.
- Batteriet blir varmt etter lengre tids bruk. La det avkjøles før det settes til lading.
  - Forsøk aldri å åpne dekselet.
  - Oppbevar aldri batterier i direkte sollys eller i temperaturer over 40 °C.
  - Temperaturen ved lading av batterier bør være mellom 10 og 40 °C.
  - Batterier og lader må ikke utsettes for vann.
  - Hold lader og batterier utenfor barns rekkevidde.
  - Bruk aldri ladere eller batterier i miljøer hvor lettantennelige gasser eller stoffer oppbevares eller brukes.
  - Batterier må aldri oppbevares/transporteres i metallbeholder og de må heller ikke komme i kontakt med hverandre under transport.
  - Kontroller at lader og ledning er hele og uskadet før klippingen starter.
  - Ved oppbevaring over en lengre periode bør batteriet være helt oppladet.
  - Batteriet kan kun lades med lader som holder kravene i standard EN60335-2-29.

## Sikkerhetssymboler



1. Bruk vernebriller og hørselsvern.
2. **Advarsel! Fare!** Feil bruk av hekksaksen kan utgjøre fare for deg og dine omgivelser.
3. Les hele bruksanvisningen før du tar produktet i bruk.
4. Forlat ikke hekksaksen ute i regn eller fuktig vær.
5. Batteriet må holdes på god avstand fra åpen ild og unna direkte sollys.
6. Les alle sikkerhetsinstruksjoner og advarsler.
7. Utsett ikke batteriet for vedvarende sollys som kan føre til at det blir varmere enn 40 °C.
8. Li-ion-batteri. Batteriet må ikke kastes sammen med husholdningsavfall, men leveres inn på steder som er beregnet til dette. Rådfør deg med kommunen hvis du er usikker.

# Knapper og funksjoner



1. Sverddeksel
2. Sverd
3. Beskyttelse til støttehåndtak
4. Støttehåndtak
5. Sperre til startbryteren
6. Håndtak
7. Startbryter
8. Sperre for dreining av sverd
9. Lader
10. Batteri

## Lading av batteriet

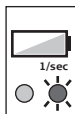
Anbefalt temperatur ved lading og oppbevaring av batteri: 0–40 °C.

1. Trykk ned snepertlåsen, som er på batteriets overside, og trekk det rett bakover, ut fra verktøyet.
2. Plasser batteriet i laderen og påse at det klikkes ordentlig på plass.
3. Plugg laderens støpsel i et strømuttak på 230 V, 50 Hz.
4. Se markeringen på laderens overside som viser LED-indikatorenes funksjon:

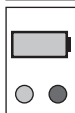




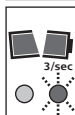
Kontinuerlig grønt lys og slukket rødt lys:  
Laderen er koblet til nettet men ingenting skjer.  
(Hvis man kobler et ladet batteri til laderen vil det ikke skje noe)



Rødt blink en gang per sekund og kontinuerlig grønt skinn:  
Lading pågår.



Kontinuerlig grønt og rødt lys:  
Batteriet er fulladet.



Rødt blink tre ganger per sekund og kontinuerlig grønt lys:  
Signaliserer feil på batteriet.

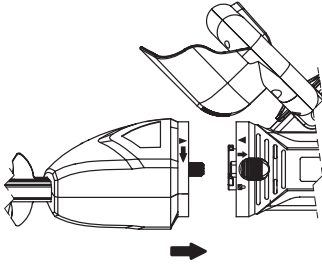
5. Når ladingen er fullført trykkes sperren på batteriet ned og batteriet tas ut av laderen.

### Obs!

- Li-ion-batteriet er en innebygd sikring mot total utlading, noe som betyr at det ikke mister effekt etter hvert som tiden går, men gir full effekt helt til elektronikken bryter strømmen for å varsle at batteriet må lades. Verktøyet stopper da umiddelbart. Ikke jobb videre når dette inntreffer, men lad opp batteriet med en gang. Dette for at batteriet ikke skal skades.
- Batteriet har innebygd elektronisk vern mot overbelastning. Hvis verktøyet presser for hardt vil elektronikken sørge for at verktøyet stopper. Slipp da avtrekkeren og vent i noen sekunder før hekksaksen startes igjen.
- Li-ion-batteriet har ingen minnefunksjoner, noe som betyr at det kan lades når som helst, uansett ladestatus.
- Batteriet skal lades i minst 6 timer de to første gangene det lades.
- Ved oppbevaring over lengre tid skal batteriet lades helt opp minst hver 6. måned.

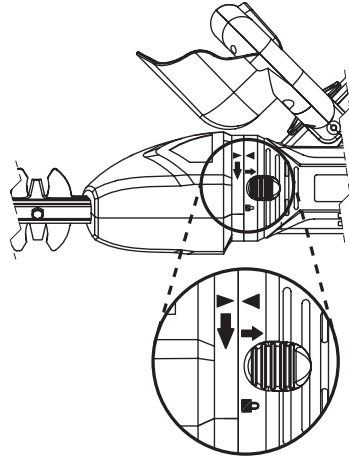
## Montering

**Obs!** Det er svært viktig at dreiningen av sverdfestet, som beskrives nedenfor, gjøres i riktig retning. Hvis festet dreies i feil retning kan det ikke skrues tilbake.

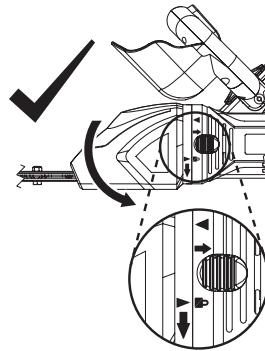


1. Hold hekksaksens deler slik at de 2 pilene peker mot hverandre.
3. Drei sverdfestet slik at pilen peker mot låsesymbolet. Når monteringen er utført riktig høres et klikk.

Etter montering kan sverdet kun dreies medurs fra låsesymbolet, det kan ikke dreies tilbake slik at pilene møtes igjen, slik som ved montering.

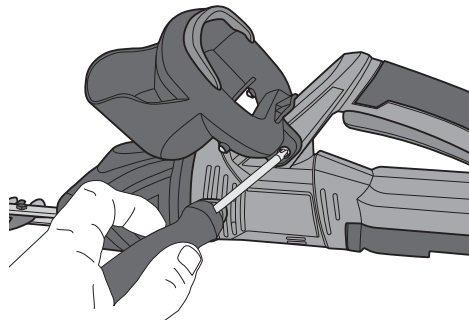


2. Skyv delene sammen slik at pilene treffer hverandre.



## Støttehåndtak med startsperre og håndvern

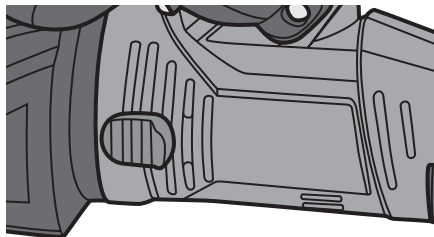
Støttehåndtaket monteres på hekksaksen og festes med de 2 skruene.



# Bruk

## Start

Kontroller før start at:



- Motorens luftinntak er åpne.
  - Hekksaksen og batterier er uskadet.
  - Sperren til startbryteren og startbryteren går lett og de ikke låser seg eller fungerer unormalt.
  - Håndtak og støttehåndtak er rene og gir godt grep.
1. Fjern sverddekselet fra sverdet.
  2. Skyv batteriet inn på plass og påse at det festes godt.
  3. Trykk inn sperren for startbryteren og deretter selve startbryteren. Hekksaksen starter.  
**Obs!** Både startsperreren og startbryteren må hele tiden være trykket inn for at motoren skal gå.
  4. Hekksaksen skrur av ved å slippe enten sperren eller startbryteren.

**Obs!** Av og til kan man se gnister fra luftinntaket når motoren skrur av. Dette er helt normalt.

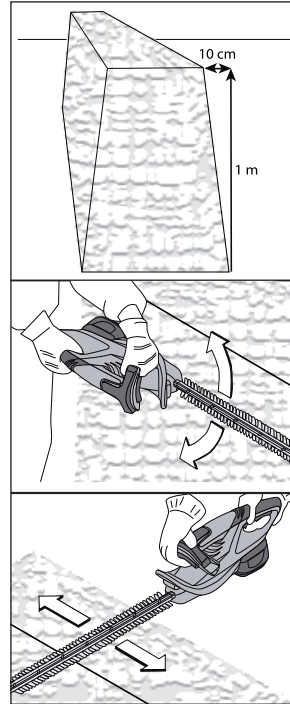
## Vridning av sverd

Sverdet til hekksaksen kan dreies 90°. Dette forenkler klipping av hekkens sidekanter.

1. Ta batteriet ut av hekksaksen.
2. Trekk sperren (8) bakover og drei sverdet 90°.

## Klipping/beskjæring

- Kontroller at det ikke er fremmede gjenstander (ståltråder, stolper etc.) usynlig inne i det området som skal klippes.
- Maks kapasitet: greintykkelse på Ø 15 mm.
- Hold hekkesaksen godt og stå stødig. Ikke strekk deg for langt. Vær ekstra forsiktig hvis du må bruke stige.
- Før hekkesaksen framover – med sakte og stødige bevegelser i den tenkte klippelinjen.
- Sverdet har kniver på begge sider og klippingen kan skje i begge retningene, med pendlende bevegelser fra side til side.
- For å få jevne sider må også tilveksten som kommer sideveis klippes. Denne tilveksten klippes nedenfra og oppover. Hvis klippingen skjer ovenfra og ned, vil tynnere kvister bøye seg utover. Dette kan føre til ujevn klipping med hull i hekken.
- For å oppnå en jevn overkant, kan man spenne opp et snøre som rettesnor.



## Stell og vedlikehold

**Obs!** Fjern batteriet før stell og vedlikehold av verktøyet.

- Ikke utsett hekkesaksen for regn.
- Benytt vernehansker ved håndtering og rengjøring av sverdet.
- Kontroller regelmessig at strømbryterne og sikkerhetssperringen er uskadede og at de fungerer som de skal.
- Kontroller regelmessig knivenes tilstand og påse at skruene på sverdet sitter godt fast.
- Sverdet og knivene oljes med passende olje før lagring, hvis hekkesaksen ikke skal brukes på en stund.
- Hekkesaksen rengjøres utvendig med en myk børste og klut.
- Bruk ikke vann, løsemidler eller polermidler.
- Fjern all forurensning, spesielt fra motorens ventilasjonsåpninger.
- Hekkesaksen må oppbevares tørt og utenfor barns rekkevidde.
- Batteriet skal oppbevares ved temperaturer over 0 °C.
- Sverddekelet skal være påmontert når hekkesaksen ikke er i bruk.

## Feilsøking

Hekksaksen starter ikke.	<ul style="list-style-type: none"> <li>• Batteriet er utladet.</li> <li>• Husk at du må trykke inn både sperren og startbryteren.</li> </ul>
Sverdet og knivene blir varme.	<ul style="list-style-type: none"> <li>• Prøv med litt olje på sverdet og la en fagperson se om knivene trenger sliping.</li> </ul>
Batteriet går fort tomt for strøm.	<ul style="list-style-type: none"> <li>• Hekksaksen går tungt. Rengjør og smør sverd og kniver.</li> <li>• Batteriet er fulladet.</li> <li>• Batteriet må skiftes ut.</li> </ul>
Batteriet lades ikke.	<ul style="list-style-type: none"> <li>• Batteriet sitter ikke riktig i laderen.</li> <li>• Batteriets eller laderens kontakt er skitten.</li> <li>• Batteriet må skiftes ut.</li> <li>• Nettadapteren sitter ikke riktig montert i strømuttaket.</li> <li>• Kontroller at det er strøm i strømuttaket.</li> <li>• Laderen eller laderens kabel er skadet.</li> <li>• Batteriet er skadet og må skiftes.</li> </ul>

## Avfallshåndtering

Symbolet viser til at produktet ikke skal kastes sammen med husholdningsavfallet. Dette gjelder i hele EØS-området. For å forebygge eventuelle skader på helse og miljø, som følge av feil håndtering av avfall, skal produktet leveres til gjenvinning, slik at materialet blir tatt hånd om på en ansvarsfull måte. Benytt miljøstasjonene som er der du befinner deg eller ta kontakt med forhandler. De kan se til at produktet blir behandlet på en tilfredsstillende måte som gagnar miljøet.



# Spesifikasjoner

## Hekksaks

Turtall	1400 o/min.
Lengde sverd	510 mm
Kapasitet (grentykkelse)	15 mm
Vekt	3 kg med 2 Ah-batteri og 3,2 kg med 4,0 Ah-batteri
Lydtrykk	LpA: 71,7 dB(A), K = 3 dB(A) LwA: 85,6 dB(A), K = 3 dB(A)
Vibrasjon	3,415 m/s <sup>2</sup> , K = 1,5 m/s <sup>2</sup>

## Batteri 18 V li-ion

Kapasitet	2 Ah
Ladetid	1 time

## Batterilader

Spenning	230 V, 50–60 Hz
Utspenning	18 V DC
Utgående strømstyrke	2,5 A

# Pensasleikkuri 18 V LI

<i>Tuotenro</i> 18-4631	<i>Malli</i> DCHT201B-UK
31-1327-1	DCHT201B
31-1328	DCHT201

Lue käyttöohjeet ennen tuotteen käyttöönottoa ja säilytä ne tulevaa tarvetta varten. Pidätämme oikeuden teknisten tietojen muutoksiin. Emme vastaa mahdollisista teksti- tai kuvavirheistä. Jos tuotteeseen tulee teknisiä ongelmia, ota yhteys myymälään tai asiakaspalveluun (yhteystiedot käyttöohjeen etukannen sisäpuolella).

## Turvallisuus

### Sähkökäyttöisten käsityökalujen yleisiä turvallisuusohjeita

**Varoitus!** Lue kaikki ohjeet. Seuraavien ohjeiden noudattamatta jättäminen voi aiheuttaa sähköiskun, tulipalon tai vakavan onnettomuuden.

#### SÄILYTÄ NÄMÄ OHJEET.

Varoitustekstin termi ”sähkökäyttöinen käsityökalu” tarkoittaa verkkovirralla tai paristoilla/akulla toimivaa käsityökalua.

#### 1) Työtilat

- Pidä työtilat puhtaina ja hyvin valaistuina.** Täynnä tavaraa olevat ja pimeät tilat lisäävät onnettomuusrisiä.
- Älä käytä sähkökäyttöisiä käsityökaluja räjähdysherkässä ympäristössä, kuten helposti syttyvien nesteiden, kaasujen tai pölyn lähellä.** Sähkökäyttöiset käsityökalut muodostavat kipinöitä, jotka saattavat sytyttää pölyn tai höyryt.
- Pidä lapset ja sivulliset loitolla, kun käytät sähkökäyttöisiä käsityökaluja.** Häiriötekijät voivat aiheuttaa laitteen hallinnan menettämisen.

#### 2) Sähköturvallisuus

- Sähkökäyttöisen käsityökalun pistokkeen tulee sopia pistorasiaan. Älä muuta pistoketta millään tavalla. Älä käytä sovitinta maadoitettujen sähkökäyttöisten käsityökalujen kanssa.** Sähköiskun vaara vähenee, kun pistokkeita ei muuteta ja laite liitetään oikeanlaiseen pistorasiaan.
- Vältä koskettamasta maadoitettuja esineitä, kuten putkia, lämpöpattereita, liettä tai jääkaappia.** Sähköiskun vaara kasvaa, jos kehosi on maadoitettu.
- Älä altista sähkökäyttöistä käsityökalua sateelle äläkä käytä sitä kosteissa olosuhteissa.** Sähkökäyttöisen käsityökalun kastuminen lisää sähköiskun vaaraa.
- Käsittele virtajohtoa varoen. Älä kanna laitetta virtajohdosta äläkä irrota pistoketta pistorasiasta johdosta vetämällä. Älä altista virtajohtoa kuumuudelle, öljyille, teräville reunoille tai liikkuville osille.** Virtajohdon vioittuminen tai sotkeutuminen lisää sähköiskun vaaraa.

- e) **Kun käytät sähkökäyttöistä käsityökalua ulkona, käytä ainoastaan ulkokäyttöön sopivia jatkojohtoja.** Ulkokäyttöön sopivan jatkojohdon käyttäminen pienentää sähköiskun vaaraa.
- f) **Jos kuitenkin käytät sähkökäyttöistä käsityökalua kosteassa ympäristössä, käytä pistorasiaa, jossa on vikavirtasuojajytkin.** Vikavirtasuojajytkimen käyttö vähentää sähköiskun vaaraa.

### 3) *Oma turvallisuutesi*

- a) **Ole huolellinen ja käytä tervettä järkeä, kun käytät sähkökäyttöistä käsityökalua. Älä käytä sähkökäyttöistä käsityökalua, jos olet väsynyt tai päihteiden, lääkkeiden tai alkoholin vaikutuksen alainen.** Tarkkaavaisuuden herpaantuminen hetkeksikin voi aiheuttaa vakavan loukkaantumisen.
- b) **Käytä suojavarusteita. Käytä aina suojalaseja.** Suojavarusteiden, kuten hengityssuojaimen, liukuestekenkien, kypärän ja kuulosuojaimien käyttäminen vähentää loukkaantumisvaaraa.
- c) **Vältä sähkökäyttöisen käsityökalun tahatonta käynnistystä. Varmista, että virtakytkin on OFF-asennossa, ennen kuin liität pistokkeen pistorasiaan, liität akun laitteeseen tai nostat/kannat sähkökäyttöistä käsityökalua.** On äärimmäisen vaarallista kantaa sähkökäyttöistä käsityökalua sormi liipaisimella tai liittää sähkökäyttöinen käsityökalu pistorasiaan virtakytkimen ollessa ON-asennossa.
- d) **Poista kaikki huoltotyökalut/avaimet ennen sähkökäyttöisen käsityökalun käynnistämistä.** Sähkökäyttöisen työkalun liikkuvan osan päälle unohdettu työkalu saattaa johtaa onnettomuuteen.
- e) **Älä kurota liian pitkälle työskennellessäsi. Varmista, että seisot tukevasti ja tasapainossa työn jokaisessa vaiheessa.** Näin hallitset sähkökäyttöisen käsityökalun paremmin ylläpitävissä tilanteissa.
- f) **Käytä työskentelyyn sopivia vaatteita. Älä käytä väljiä vaatteita tai koruja. Pidä hiukset, vaatteet ja käsineet loitolla koneen liikkuvista osista.** Väljät vaatteet, korut tai pitkät hiukset saattavat juuttua laitteen liikkuviin osiin.
- g) **Jos käytössäsi on pölynpoistojärjestelmä, käytä sitä.** Sen käyttö vähentää pölyyn liittyviä vaaroja.

### 4) *Sähkökäyttöisten käsityökalujen käyttäminen ja huoltaminen*

- a) **Älä pakota sähkökäyttöistä käsityökalua. Käytä vain sellaista sähkökäyttöistä käsityökalua, joka soveltuu suunnittelemaasi työtehtävään.** Sopiva sähkökäyttöinen käsityökalu tekee työn hyvin ja turvallisesti oikealla nopeudella.
- b) **Älä käytä sähkökäyttöistä käsityökalua, jos virtakytkin ei toimi.** Kaikki sähkökäyttöiset käsityökalut, joita ei voida hallita virtakytkimellä, ovat vaarallisia ja ne tulee korjata.
- c) **Irrota pistoke pistorasiasta tai poista akku ennen sähkökäyttöisen käsityökalun säätämistä tai varusteiden vaihtamista ja ennen työkalun laittamista säilytykseen.** Nämä ennaltaehkäisevät toimenpiteet vähentävät sähkökäyttöisen käsityökalun tahatonta käynnistymistä.



- d) Säilytä sähkökäyttöiset käsityökalut lasten ulottumattomissa. Älä luovuta sähkökäyttöistä käsityökalua henkilöille, jotka eivät tunne laitetta tai sen käyttöohjetta. Sähkökäyttöiset käsityökalut ovat vaarallisia tottumattomien käyttäjien käsissä.
- e) Huolla sähkökäyttöisiä käsityökaluja. Tarkasta, että säädöt ovat kunnossa, että liikkuvat osat liikkuvat esteettä, että osat ovat ehjiä, ja että sähkökäyttöisessä käsityökalussa ei ole muita laitteen toimintaan vaikuttavia seikkoja. Vioittuneet osat tulee korjata ennen laitteen käyttöä. Monet onnettomuudet johtuvat siitä, että sähkökäyttöistä käsityökalua ei ole huollettu.
- f) Pidä leikkaavat osat terävinä ja puhtaina. Terätyökalun hallinta on helpompaa, kun se on oikein huollettu ja sen terät ovat teräviä.
- g) Käytä sähkökäyttöistä käsityökalua ja sen varusteita näiden ohjeiden mukaisesti. Ota myös huomioon työskentelyolosuhteet ja suoritettava työ. Sähkökäyttöisen käsityökalun käyttäminen muihin kuin sille tarkoitettuihin työtehtäviin voi aiheuttaa vaaratilanteita.

### 5) Akkukäyttöisen sähkökäsityökalun käyttäminen ja käsitteleminen

- a) Lataa akkua vain valmistajan suosittelemassa laturissa.
- b) Työkalussa on akku jo toimitusvaiheessa. Älä käytä muita akkuja.
- c) Akusta saattaa vuotaa akkunestettä, jos sitä käsitellään väärällä tavalla. Jos nestettä joutuu iholle, huuhtele kohta runsaalla vedellä. Jos nestettä joutuu silmiin, hakeudu lääkäriin.

### 6) Huolto

- a) Laitteen saa huoltaa ja korjata ainoastaan ammattihenkilö, ja huollossa tulee käyttää ainoastaan alkuperäisosa. Näin taataan sähkökäyttöisen käsityökalun turvallisuus.

## Pensasleikkuria koskevia turvallisuusohjeita

- Pensasleikkuria saavat käyttää aikuiset, joilla ei ole fyysisiä tai psyykkisiä rajoitteita. Henkilöt, joilla ei ole riittävästi kokemusta ja taitoja, eivät saa käyttää pensasleikkuria ilman heidän turvallisuudestaan vastaavan henkilön antamia ohjeita.
- Pidä kaikki ruumiinosat loitolla laitteen terästä. Älä poista leikkuujätteitä tai pidä kiinni leikattavasta materiaalista laitteen terien liikkuesssa. Irrota akku laitteesta ennen terään juuttuneen materiaalin irrottamista. Tarkkaavaisuuden herpaantuminen hetkeksikin saattaa aiheuttaa vakavia vahinkoja.
- Älä anna lasten leikkiä pensasleikkurilla.
- Kun siirät pensasleikkuria, sammuta moottori ja kanna leikkuria kahvasta. Kiinnitä pensasleikkuriin teräsuojus pidempien kuljetusten ja säilytyksen ajaksi. Pensasleikkurin asianmukainen käyttö vähentää terän aiheuttamien henkilövahinkojen riskiä.
- Tarkasta ennen laitteen käyttöä, että leikattavassa kohteessa ei ole vieraita esineitä, kuten rautalankaa.

- Pidä pensasleikkurista kiinni tukevasti molemmin käsin käytön aikana.
- Terät liikkuvat vielä muuttaman sekunnin ajan pensasleikkurin sammuttamisen jälkeen.
- **Huom.!** Älä koske liikkuviin teriin.
- Pidä kaikki ruumiinosat loitolla terästä. Älä poista leikkujätteitä tai pidä kiinni leikattavasta materiaalista laitteen terän liikkeessa. Irrota akku laitteesta ennen kiinni juuttuneen materiaalin irrottamista.
- Kun siirrä tai kuljetat pensasleikkuria, sammuta moottori ja asenna teränsuojus paikalleen.
- Varmista, että leikattavassa pensasaidassa ei ole vieraita esineitä.
- Pidä pensasleikkurista kiinni tukevasti molemmin käsin käytön aikana.

## Akkuja ja laturia koskevia turvallisuusohjeita

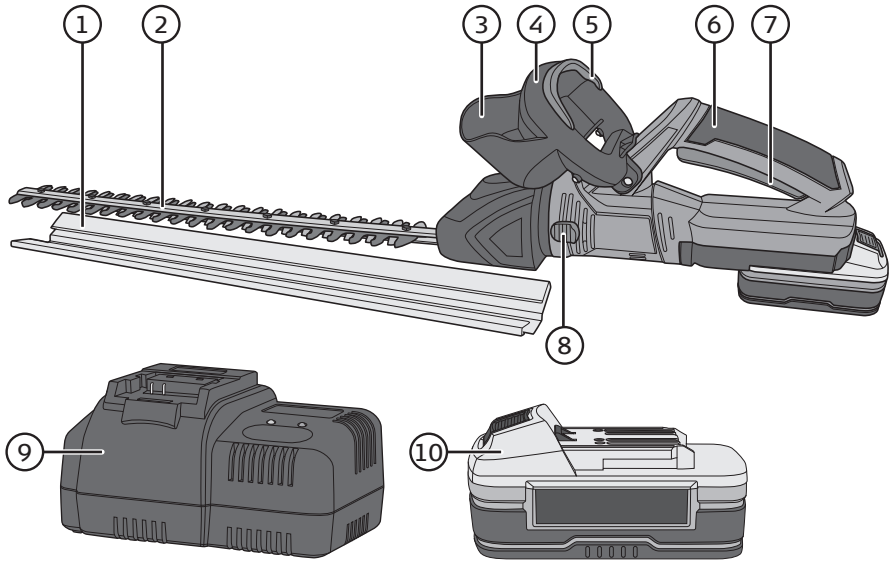
- a) Ole varovainen, kun kiinnität akkua pensasleikkuriin, jotta leikkuri ei käynnisty tahattomasti. Varmista, että turvalukitus ja käynnistyspainike eivät ole alaspainettuina.
  - b) Käytä ainoastaan mukana tulevaa tai valmistajan suosittelemaa akkulaturia. Akkulaturi on tarkoitettu tietyntyyppisten akkujen lataamiseen. Toisentyypisen akun lataamiseen tarkoitettua laturin käyttäminen voi aiheuttaa tulipalon tai räjähdysriskin.
  - c) Käytä ainoastaan pensasleikkuriin tarkoitettua akkua. Vääräntyyppisen akun käyttäminen voi aiheuttaa henkilövahinkoja tai tulipalon.
  - d) Kun akkua ei käytetä, se tulee säilyttää loitolla metalliesineistä (esim. paperiliittimet, kolikot, avaimet, naulat, tai muut metalliesineet). Metalliesineet voivat aiheuttaa akkuun oikosulun. Akun oikosulku voi johtaa tulipaloon tai räjähdykseen.
  - e) Jos akku vahingoittuu, siitä voi vuotaa akkunestettä. Vältä koskemasta akkunesteeseen. Jos akkunestettä joutuu iholle, huuhto kohta runsaalla vedellä. Jos akkunestettä joutuu silmiin, hakeudu lääkäriin välittömästi. Akkuneste voi aiheuttaa ihoärsytystä ja palovammoja.
- Akku voi lämmetä pitkäkestoisen käytön aikana. Anna akun jäähtyä ennen lataamista.
  - Älä yritä avata akkua.
  - Älä koskaan säilytä akkua suorassa auringonvalossa tai yli 40 °C:n lämpötilassa.
  - Akun latauksen sallittu lämpötila-alue on 10 °C...40 °C.
  - Älä altista akkua tai sen laturia vedelle.
  - Pidä laturi ja akku poissa lasten ulottuvilta.
  - Älä käytä laturia tai akkua ympäristössä, jossa säilytetään tai käytetään helposti syttyviä kaasuja tai aineita.
  - Kuljeta akkuja niin, että ne eivät pääse kosketuksiin keskenään. Älä kuljeta akkua metallisessa astiassa.
  - Varmista, että akkulaturi ja virtajohto ovat ehjiä ennen niiden käyttöä.
  - Lataa akku täyteen, jos se on pitkään käyttämättä.
  - Akku voidaan ladata ainoastaan standardin EN60335-2-29 mukaisella akkulaturilla.

## Turvallisuussymbolit



1. Käytä suojalaseja ja kuulosuojaimia.
2. **Varoitus! Vaara.** Pensasleikkurin virheellinen käyttö voi aiheuttaa vaaran käyttäjälle ja sivullisille.
3. Lue koko käyttöohje huolellisesti ennen pensasleikkurin käyttöä.
4. Älä jätä pensasleikkuria ulos sateella tai kostealla säällä.
5. Pidä akku loitolla avotulesta, sillä se voi räjähtää.
6. Lue kaikki turvallisuusohjeet ja varoitukset.
7. Älä altista akkua yhtäjaksoiselle auringonvalolle, sillä akun lämpötila voi nousta yli 40 °C:een.
8. Litiumioniakku. Akkua ei saa hävittää sekajätteenä, vaan se on toimitettava ongelmajätteen keräyspisteeseen. Jos olet epävarma, ota yhteys kuntasi jäteneuvojaan.

## Painikkeet ja toiminnot



1. Teränsuojus
2. Terälevy
3. Tukikahvan suojus
4. Tukikahva
5. Käynnistimen turvalukitus
6. Kahva
7. Käynnistin
8. Salpa terälevyn kääntämiseen
9. Laturi
10. Akku

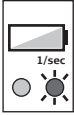
### Akun lataaminen

Akun suositeltu lataus- ja säilytyslämpötila: 0–40 °C.

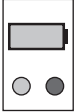
1. Paina akun yläosassa olevaa lukitusta ja vedä akkua suoraan taaksepäin ulos pensasleikkurista.
2. Aseta akku laturiin ja varmista, että se kiinnittyy kunnolla paikalleen.
3. Liitä laturin virtajohto seinäpistorasiaan (230 V, 50 Hz).
4. Katso akkulaturin ulkopuolella olevat LED-merkkivalon merkinnät:



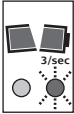
Kiinteä vihreä valo ja sammutettu punainen valo:  
Laturi on liitetty verkkovirtaan, lataus ei ole käynnissä.  
(Jos laturiin liitetään ladattu akku, mitään ei tapahdu.)



Kiinteä vihreä valo ja kerran sekunnissa vilkkuva punainen valo:  
Lataus on käynnissä.



Kiinteä vihreä valo ja kiinteä punainen valo:  
Akku on ladattu täyteen.



Kiinteä vihreä valo ja kolme kertaa sekunnissa vilkkuva punainen valo:  
Akkuvika.

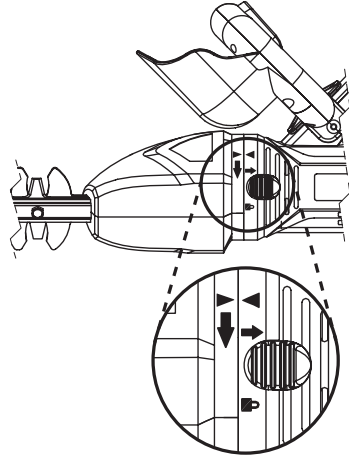
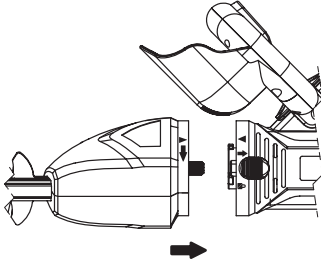
5. Kun akku on ladattu, paina akun lukitsinta ja irrota akku laturista.

### Huom.!

- Litiumioniakussa on kiinteä elektroninen purkautumissuoja, minkä ansiosta akku ei menetä tehoa, vaan se toimii täydellä teholla loppuun asti, jolloin elektroniikka katkaisee virran ja akku pitää ladata. Työkalu sammuu tällöin välittömästi. Älä yritä jatkaa työskentelyä, vaan lataa akku täyteen, jotta se ei vahingoitu.
- Akussa on elektroninen ylikuormitussuoja. Jos työkalua pakotetaan liian kovaa, elektroniikka sammuttaa työkalun. Vapauta liipaisin ja odota muutama sekunti, kunnes pensasleikkuri käynnistyy uudelleen.
- Litiumioniakussa ei ole muisti-ilmiötä, minkä vuoksi sen voi ladata koska tahansa lataustasosta riippumatta.
- Lataa akkua vähintään kuusi tuntia kahdella ensimmäisellä latauskerralla.
- Jos akku on pitkään käyttämättä, se tulee ladata täyteen vähintään kuuden kuukauden välein.

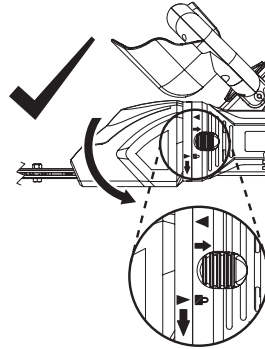
## Asennus

**Huom!** On erittäin tärkeää, että teräkiinnike kierretään oikeaan suuntaan alla olevien ohjeiden mukaisesti. Jos kiinnike kierretään väärään suuntaan, sitä ei voi kiertää takaisin.



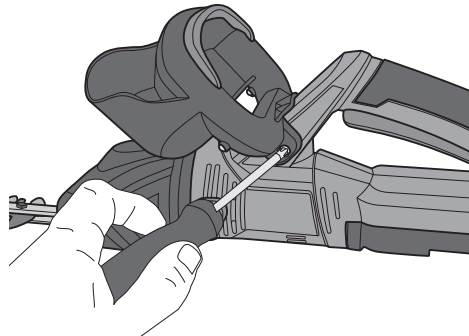
1. Pidä kiinni pensassaksen osista niin, että kaksi nuolta ovat kohdakkain.
2. Työnnä osat yhteen niin, että nuolet kohtaavat.
3. Kierrä teräkiinnikettä niin, että nuoli osoittaa lukon kuvakkeeseen. Pensassaksista kuuluu naksahdus, kun teräkiinnike on asennettu oikein.

Asennuksen jälkeen terää voi kiertää vain myötäpäivään lukon kuvakkeesta. Terää ei voi kiertää takaisin asennusvaiheen asentoon, jossa nuolet ovat kohdakkain.



## Tukikahva, jossa käynnistyksen esto ja käsisuoja

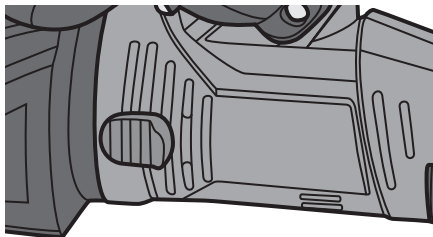
Asenna tukikahva pensassaksiin ja kiinnitä se kahdella ruuvilla.



# Käyttö

## Käynnistäminen

Tarkasta ennen laitteen käynnistämistä, että:



- moottorin ilmanottoaukot ovat auki
  - pensasleikkuri ja akku ovat vahingoittumattomia
  - käynnistimen turvalukitsin ja käynnistin eivät ole jumissa tai toimi muuten poikkeavalla tavalla
  - kahva ja tukikahva ovat puhtaita ja niistä saa hyvän otteen
1. Irrota teränsuojus terälevystä.
  2. Aseta akku paikalleen ja varmista, että se kiinnittyy kunnolla.
  3. Paina käynnistimen turvalukitsinta ja käynnistintä. Pensasleikkuri käynnistyy.  
**Huom.!** Pensasleikkurin moottori on käynnissä vain silloin, kun sekä turvalukitsin että käynnistin ovat pohjaan painettuina.
  4. Pensasleikkuri sammuu, kun turvalukitsin tai käynnistin vapautetaan.

**Huom.!** Moottorin ilmanottoaukossa voi joskus näkyä kipinäntä moottorin sammuaessa. Tämä on täysin normaalia.

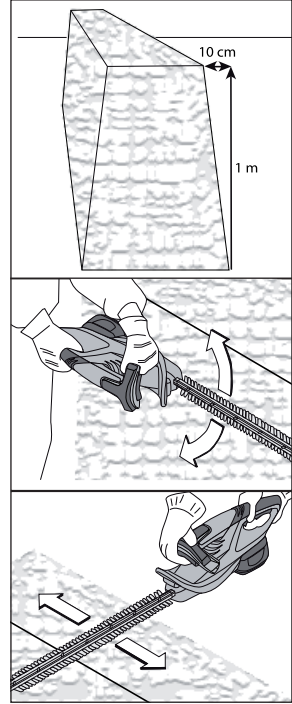
## Terälevyn kääntäminen

Pensasleikkurin terälevyä voidaan kääntää 90° pensasaidan sivujen leikkaamisen helpottamiseksi.

1. Irrota pensasleikkurin akku.
2. Vedä lukitsinta (8) taaksepäin ja käännä terälevyä 90°.

## Leikkaaminen

- Varmista, ettei leikattavassa alueessa ole piilossa vieraita esineitä (esim. rautalankaa).
- Leikattavan oksan maksimihalkaisija on 15 mm.
- Pidä pensasleikkurista kunnolla kiinni ja seiso vakaasti, älä nojaa liian pitkälle. Ole erityisen varovainen, jos käytät apuna tikkaita.
- Vie pensasleikkuri eteenpäin varovasti ja vakaasti suunnitellun leikkauslinjan mukaisesti.
- Kaksipuolisella terällä voi leikata molempiin suuntiin tai edestakaisin puolelta toiselle.
- Tasaiset sivut saa leikattua parhaiten leikkaamalla kasvusuuntaan alhaalta ylös. Ylhäältä alas leikatessa ohuemmat oksat taittuvat ulospäin, jolloin pensaaseen saattaa tulla koloja.
- Tasaisen yläosan saamiseksi pensaaseen yläpuolelle voi kiristää merkiksi naruja.



## Puhdistaminen ja huolto

**Huom.!** Irrota pensasleikkurin akku ennen leikkurin puhdistusta ja huoltoa.

- Älä altista pensasleikkuria sateelle.
- Käytä suojakäsineitä, kun puhdistat tai käsittelet terälevyä.
- Tarkista säännöllisesti, että turvalukitsin ja käynnistin ovat vahingoittumattomia ja toimivat oikein.
- Tarkista terän kunto säännöllisesti ja varmista, että terälevyn ruuvit ovat tiukalla.
- Öljyä terälevy ja terät sopivalla öljyllä, jos pensasleikkuri on pitkään käyttämättä.
- Puhdista pensasleikkurin ulkopinta pehmeällä harjalla tai liinalla.
- Älä käytä puhdistamisessa vettä, liuotusaineita tai kiillotusaineita.
- Poista kaikki lika, ja puhdista erityisesti moottorin ilmastointiaukot.
- Säilytä pensasleikkuria pölyttömässä ja kuivassa tilassa lasten ulottumattomissa.
- Älä säilytä akkua tiloissa, jos lämpötila laskee nollan alapuolelle.
- Laita teränsuojus paikalleen aina, kun pensasleikkuria ei käytetä.



## Vianhakutaulukko

Pensasleikkuri ei käynnisty.	<ul style="list-style-type: none"><li>• Akku on tyhjä.</li><li>• Varmista, että sekä turvalukitsin että käynnistin ovat kunnolla alaspainettuina.</li></ul>
Terälevy ja terät kuumenevat.	<ul style="list-style-type: none"><li>• Öljyä terälevy ja teroituta terät tarvittaessa.</li></ul>
Akku on heikko.	<ul style="list-style-type: none"><li>• Pensasleikkuri käy raskaasti. Puhdista ja öljyä terälevy ja terät.</li><li>• Akku ei ole täynnä.</li><li>• Vaihda akku.</li></ul>
Akku ei lataudu.	<ul style="list-style-type: none"><li>• Akku ei ole oikein paikallaan laturissa.</li><li>• Akun tai laturin kontaktipinnat ovat likaiset.</li><li>• Vaihda akku.</li><li>• Virtajohto ei ole kunnolla pistorasiassa.</li><li>• Varmista, että pistorasiassa on virtaa.</li><li>• Laturi tai sen virtajohto on vioittunut.</li><li>• Akku on viallinen ja se tulee vaihtaa.</li></ul>

## Kierrättäminen

Tämä symboli tarkoittaa, että tuotetta ei saa laittaa kotitalousjätteen sekaan. Ohje koskee koko EU-aluetta. Virheellisestä kierrättämisestä johtuvien mahdollisten ympäristö- ja terveyshaittojen ehkäisemiseksi tuote tulee viedä kierrätettäväksi, jotta materiaali voidaan käsitellä vastuullisella tavalla. Kierrätä tuote käyttämällä paikallisia kierrätysjärjestelmiä tai ota yhteys ostopaikkaan. Ostopaikassa tuote kierrätetään vastuullisella tavalla.



## Tekniset tiedot

### Pensasleikkuri

Kierrosluku	1400 kierr./min.
Terän pituus	510 mm
Leikkuukapasiteetti	15 mm
Paino	3 kg 2 Ah:n akun kanssa ja 3,2 kg 4,0 Ah:n akun kanssa
Melutaso	LpA: 71,7 dB(A), K = 3 dB(A) LwA: 85,6 dB(A), K = 3 dB(A)
Tärinä	3,415 m/s <sup>2</sup> , K = 1,5 m/s <sup>2</sup>

### Akku 18 V li-ion

Kapasiteetti	2 Ah
Latausaika	1 tunti

### Akkulaturi

Verkkoliitäntä	230 V, 50–60 Hz
Lähtöjännite	18 V DC
Lähtövirta	2,5 A

# Heckenschere 18 V Li

Art.Nr. 18-4631      Modell DCHT201B-UK  
31-1327-1          DCHT201B  
31-1328              DCHT201

Vor Inbetriebnahme die komplette Bedienungsanleitung durchlesen und aufbewahren. Irrtümer, Abweichungen und Änderungen behalten wir uns vor. Bei technischen Problemen oder anderen Fragen freut sich unser Kundenservice über eine Kontaktaufnahme (Kontakt siehe Rückseite).

## Sicherheitshinweise

### Allgemeine Sicherheitshinweise für Elektrowerkzeuge

**Achtung:** Die komplette Bedienungsanleitung durchlesen. Nichtbeachtung der folgenden Anweisungen kann zu Stromschlägen, Feuer oder schweren Verletzungen führen.

DIESE ANLEITUNGEN AUFBEWAHREN.

Die Bezeichnung „Elektrowerkzeug“ im weiteren Textverlauf bezieht sich auf das Netzkabel-angeschlossene oder Akku-betriebene Handwerkzeug.

#### 1) Arbeitsumgebung

- a) **Die Arbeitsumgebung sauber und gut beleuchtet halten.** Unordentliche und dunkle Umgebungen können zu Unfällen führen.
- b) **Elektrowerkzeuge sind nicht in feuergefährlichen Umgebungen (z.B. leicht entzündbare Flüssigkeiten, Gase oder Staub) zu benutzen.** Elektrowerkzeuge erzeugen Funken, die Staub oder Dämpfe entzünden können.
- c) **Während der Benutzung des Elektrowerkzeugs Kinder und Zuschauer auf Abstand halten.** Störungen können zum Verlust der Kontrolle führen.

#### 2) Sicherheitshinweise Elektrik

- a) **Der Netzstecker des Elektrowerkzeugs muss in die Netzsteckdose passen. Niemals den Netzstecker verändern. Niemals einen Adapter zusammen mit geerdeten Elektrowerkzeugen verwenden.** Unveränderte Stecker und passende Steckdosen verringern das Risiko von Stromschlägen.
- b) **Körperkontakt mit geerdeten Gegenständen, z.B. Rohr, Heizung, Ofen oder Kühlschränke, vermeiden.** Ist der eigene Körper geerdet, erhöht sich das Risiko für Stromschläge.
- c) **Elektrowerkzeuge nicht für Regen oder Feuchtigkeit aussetzen.** Wasser im Inneren von Elektrowerkzeugen erhöht das Risiko für Stromschläge.
- d) **Mit dem Netzkabel behutsam umgehen. Das Netzkabel nie zum Ziehen oder Tragen des Elektrohandwerkzeugs oder zum Herausziehen des Steckers aus der Steckdose verwenden. Das Kabel von Wärme, Öl, scharfen Kanten und beweglichen Teilen fernhalten.** Beschädigte oder verformte Netzkabel erhöhen die Gefahr von elektrischen Schlägen.

- e) **Bei der Benutzung von Elektrowerkzeugen im Außenbereich immer ein Verlängerungskabel benutzen, das dafür vorgesehen ist.** Die Benutzung eines Verlängerungskabels für den Außenbereich verringert das Risiko von Stromschlägen.
- f) **Sollte das Elektrowerkzeug trotzdem in feuchter Umgebung benutzt werden, unbedingt eine Fehlerstrom-Schutzeinrichtung vorschalten.** Die Benutzung einer Fehlerstromschutzeinrichtung verringert das Risiko von Stromschlägen.

### 3) *Persönliche Sicherheit*

- a) **Bei der Benutzung von Elektrowerkzeugen vorsichtig sein und auf den gesunden Menschenverstand hören. Die Bedienung von Elektrowerkzeugen bei Müdigkeit und/oder Einfluss von Drogen, Alkohol oder Medizin ist untersagt.** Ein kurzer Moment der Unachtsamkeit kann zu schweren Sach- und Personenschäden führen.
- b) **Persönliche Schutzausrüstung benutzen. Immer einen Augenschutz tragen.** Die Benutzung von persönlicher Schutzausrüstung bei Bedarf, wie Atemschutz, Sicherheitsschuhe, Helm und Gehörschutz, verkleinert das Verletzungsrisiko.
- c) **Ungewolltes Starten vermeiden. Sicherstellen, dass der Stromschalter in der Position OFF ist bevor der Netzstecker oder Akku angeschlossen wird oder das Elektrowerkzeug gehoben/getragen wird.** Das Tragen von Elektrowerkzeugen mit einem Finger auf dem Schalter oder der Anschluss von Elektrowerkzeugen an die Netzspannung, während der Schalter in der Position „ON“ ist, birgt ein erhöhtes Unfallrisiko. Befindet sich der Ein-/Ausschalter in Stellung ON erhöht sich die Unfallgefahr.
- d) **Vor dem Einschalten des Elektrowerkzeugs alle Servicewerkzeuge/Schlüssel entfernen.** Ein vergessenes Servicewerkzeug an einem rotierenden Teil von Elektrowerkzeugen kann zu Personenschäden führen.
- e) **Stabile und bequeme Arbeitsposition einnehmen. Immer eine gute Balance sicherstellen.** Dies sorgt für bessere Kontrolle des Elektrowerkzeugs in unvorhergesehenen Situationen.
- f) **Geeignete Arbeitskleidung tragen. Keine losen Kleider oder Schmuck tragen. Haare, Kleidung und Handschuhe von beweglichen Teilen fernhalten.** Lose Kleidung, Schmuck oder lange Haare können sich in Beweglichen Teilen verfangen.
- g) **Ist Ausrüstung zum Absaugen und Aufsammeln von Staub zugänglich, sollte diese angeschlossen und benutzt werden.** Das Benutzen dieser Ausrüstung minimiert Staub-abhängige Gefahren.

### 4) *Bedienung und Wartung von Elektrowerkzeugen*

- a) **Elektrowerkzeuge nie überbeanspruchen. Elektrowerkzeuge nur für die dafür vorgesehene Arbeit benutzen.** Das richtige Elektrowerkzeug sorgt für mehr Sicherheit und ein besseres Resultat.
- b) **Niemals ein Elektrowerkzeug benutzen, wenn der Stromschalter das Gerät nicht Ein-/Ausschaltet.** Ein Elektrowerkzeug, das sich nicht mehr ein- oder ausschalten lässt, ist gefährlich und muss repariert werden.
- c) **Zum Ändern der Einstellungen, Austausch von Werkzeugteilen und bei Nichtbenutzung stets den Netzstecker ziehen.** Diese Vorkehrungsmaßnahme verkleinert das Risiko für einen unabsichtlichen Start.

- d) **Elektrowerkzeuge bei Nichtbenutzung außer Reichweite von Kindern aufbewahren. Personen, die nicht mit der Bedienung vertraut sind, nicht das Elektrowerkzeug benutzen lassen.** Elektrowerkzeuge sind gefährlich, wenn sie in die Hände von unerfahrenen Personen gelangen.
- e) **Elektrowerkzeuge warten. Regelmäßig überprüfen, ob etwas falsch eingestellt ist, ob bewegliche Teile klemmen, etwas kaputt gegangen ist oder etwas anderes die fehlerfreie Funktion behindert. Wenn etwas kaputt ist, muss es vor Inbetriebnahme repariert werden.** Viele Unglücke werden durch mangelnde Wartung verursacht.
- f) **Werkzeuge sind sauber und scharf zu halten.** Ordentlich gewartete Werkzeuge neigen weniger zu Fehlfunktionen und sind einfacher zu handhaben.
- g) **Elektrowerkzeuge, Zubehör usw. nur der Beschreibung entsprechend und für den vorgesehenen Verwendungszweck handhaben. Dabei immer die aktuellen Arbeitsbedingungen berücksichtigen.** Bei Zweckentfremdung können Sach- und Personenschäden entstehen.

### 5) *Bedienung und Wartung von schnurlosen Elektrowerkzeugen*

- a) **Den Akku in einem vom Hersteller empfohlenen Ladegerät laden.**
- b) **Das Werkzeug ist werkseitig mit einem Akku ausgestattet. Niemals einen anderen Akku verwenden.**
- c) **Aus dem Akku kann bei unsachgemäßer Handhabung Batterieflüssigkeit austreten. Gründlich mit Wasser abspülen, wenn die Flüssigkeit in Kontakt mit der Haut gekommen ist. Einen Arzt aufsuchen, wenn Flüssigkeit in die Augen geraten ist.**

### 6) *Service*

- a) **Reparaturen nur von qualifizierten Servicetechnikern und mit Originalzubehör durchführen lassen.** Dies bewahrt die Sicherheit von Elektrowerkzeugen.

## **Besondere Sicherheitshinweise für Heckenscheren**

- Das Gerät darf nicht von Personen (und Kindern) mit eingeschränkter körperlicher oder geistiger Leistungsfähigkeit verwendet werden. Das Gerät ist nur dann für Personen mit eingeschränkten physischen, sensorischen oder geistigen Fähigkeiten bzw. mangelnder Erfahrung/mangelndem Wissen geeignet, wenn diese in die sichere Handhabung eingeführt worden sind und die Risiken und Gefahren der Benutzung verstehen.
- Das Schwert immer in sicherem Abstand zum Körper halten. Niemals das Schnittgut entfernen oder die Zweige festhalten, die abgeschnitten werden sollen, wenn das Schwert in Bewegung ist. Den Akku entfernen, bevor Schnittgut vom Schwert entfernt wird. Schon ein unachtsamer Augenblick kann schwere Verletzungen nach sich ziehen.
- Kein Kinderspielzeug.
- Bei kurzen Strecken das Gerät ausschalten und am Griff tragen. Beim Transport oder der Aufbewahrung der Heckenschere immer den Schwertschutz montieren. Die korrekte Handhabung der Heckenschere reduziert die Gefahr von Personenschäden durch die im Schwert integrierten Messer.

- Vor der Inbetriebnahme sicherstellen, dass sich keine Fremdkörper wie z. B. ein Maschendrahtzaun in der Hecke/dem Gebüsch befinden, die/das geschnitten werden soll.
- Die Heckenschere beim Schneiden immer mit beiden Händen halten.
- Nach Ausschalten der Heckenschere bewegen sich die Messer im Schwert noch einige Sekunden weiter.
- **Achtung:** Die Messer nicht anfassen, so lange sie sich bewegen.
- Das Schwert immer in sicherem Abstand zum Körper halten. Niemals das Schnittgut entfernen oder die Zweige festhalten, die abgeschnitten werden sollen, wenn das Schwert in Bewegung ist. Den Akku entfernen, bevor Schnittgut vom Schwert entfernt wird.
- Beim Transport die Heckenschere ausschalten und immer den Schwertschutz montieren.
- Sicherstellen, dass keine Fremdkörper in der zu schneidenden Hecke vorhanden sind.
- Die Heckenschere beim Schneiden immer mit beiden Händen halten.

## Sicherheitshinweise für Akkus und Ladegeräte

- a) Beim Einlegen des Akkus in die Heckenschere vorsichtig sein, damit diese nicht unabsichtlich startet. Sicherstellen, dass die Einschaltsperrleiste und der Startschalter nicht eingedrückt sind.
  - b) Ausschließlich ein vom Hersteller empfohlenes Ladegerät benutzen. Akku-Ladegeräte sind für eine bestimmte Sorte von Akkus konzipiert. Die Benutzung eines Ladegeräts für eine andere Akkusorte beinhaltet das Risiko von Feuer oder Explosion.
  - c) Nur Akkus verwenden, die für genau das benutzte Elektrowerkzeug vorgesehen sind. Die Benutzung anderer Batterie-/Akkusorten kann zu Personenschäden und Bränden führen.
  - d) Den Akku bei Nichtbenutzung von Büroklammern, Münzen, Schlüsseln, Schrauben oder anderen kleinen Metallgegenständen fernhalten, die einen Kurzschluss verursachen können. Ein Kurzschluss der Batterie kann zu einem Brand oder einer Explosion führen.
  - e) Bei Beschädigung des Akkus kann dieser Flüssigkeit verlieren. Jeglichen Kontakt mit dieser Flüssigkeit vermeiden. Gründlich mit Wasser abspülen, wenn die Flüssigkeit in Kontakt mit der Haut gekommen ist. Bei Augenkontakt mit der Flüssigkeit sofort einen Arzt aufsuchen. Die austretende Batteriesäure kann Hautreizungen oder Verbrennungen verursachen.
- Der Akku wird bei längerer Benutzung warm, vor dem Laden daher erst abkühlen lassen.
  - Niemals versuchen, den Akku zu öffnen.
  - Den Akku nie direkter Sonneneinstrahlung oder Temperaturen über 40 °C aussetzen.
  - Den Akku ausschließlich bei Temperaturen zwischen 4 °C und 40 °C laden.
  - Den Akku niemals Wasser aussetzen.
  - Ladegerät und Akkus außer Reichweite von Kindern aufbewahren.

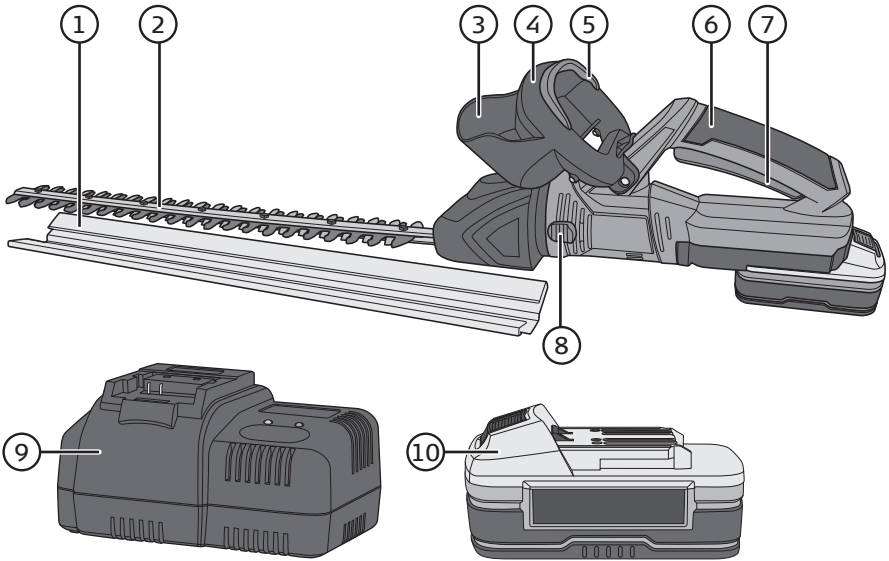
- Das Ladegerät oder Akkus nie in Räumen benutzen, in denen leicht entzündbare Gase oder Stoffe aufbewahrt oder benutzt werden.
- Akkus stets so transportieren, dass sie nicht in Kontakt miteinander kommen können und niemals in einem Metallbehälter.
- Vor der Benutzung sicherstellen, dass das Ladegerät und Kabel unbeschädigt sind.
- Bei längerer Nichtbenutzung den Akku vollständig laden.
- Der Akku kann nur mit einem Ladegerät, das dem Standard EN 60335-2-29 entspricht, geladen werden.

## Produktkennzeichnung mit Sicherheitssymbolen



1. Augenschutz und Gehörschutz tragen.
2. **Achtung: Gefahr!** Fehlerhafte Benutzung des Gerätes kann gefährlich für den Benutzer sowie die Umgebung werden.
3. Die Bedienungsanleitung vor Anwendung des Gerätes vollständig durchlesen.
4. Das Gerät bei Regen oder Feuchtigkeit nicht im Freien lassen.
5. Den Akku von offenen Flammen fernhalten, Explosionsgefahr.
6. Alle Sicherheitshinweise und Warnungen lesen.
7. Den Akku keiner andauernden Sonneneinstrahlung aussetzen, die den Akku auf über 40 °C aufwärmen kann.
8. Lithium-Ionen-Akku. Den Akku nicht im Haushaltsmüll entsorgen sondern an der dafür vorgesehenen Sammelstelle. Weitere Informationen sind von der Gemeinde oder den kommunalen Entsorgungsbetrieben erhältlich.

# Tasten und Funktionen



1. Schwertschutz
2. Schwert
3. Schutz für Zusatz-Handgriff
4. Zusatz-Handgriff
5. Einschaltsperr
6. Griff
7. Startschalter
8. Sperre für Schwertdrehung
9. Ladegerät
10. Akku

## Laden des Akkus

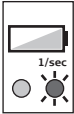
Temperaturintervall zum Laden und für die Aufbewahrung des Akkus: 0–40 °C.

1. Den Bügelverschluss an der Rückseite des Akkus nach unten drücken und ihn gerade aus dem Gerät herausziehen.
2. Den Akku in das Ladegerät setzen und ordentlich einrasten lassen.
3. Das Kabel des Ladegeräts in eine Steckdose (230 V, 50 Hz) einstecken.
4. Die Markierung an der Oberseite des Ladegeräts beachten, diese zeigt die Funktion der LED-Anzeige an:

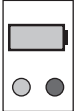




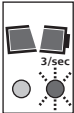
Konstantes grünes Licht und erloschenes rotes Licht:  
Das Ladegerät ist am Stromnetz angeschlossen und es lädt nicht.  
(Wird ein aufgeladener Akku an das Ladegerät angeschlossen, passiert nichts)



Rotes Blinklicht einmal pro Sekunde und konstantes grünes Licht:  
Der Ladevorgang läuft.



Konstantes grünes und rotes Licht:  
Der Akku ist vollständig geladen.



Rotes Blinklicht dreimal pro Sekunde und konstantes grünes Licht:  
Akkufehler.

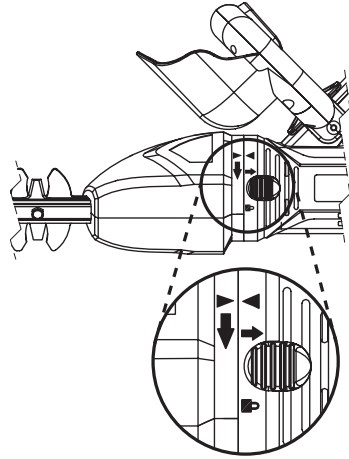
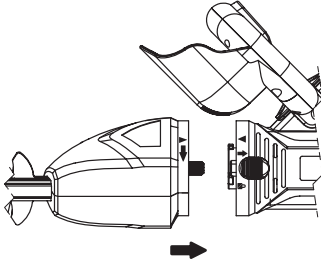
- Ist der Ladevorgang abgeschlossen, die Sperre am Akku herunterdrücken und den Akku aus dem Ladegerät ziehen.

#### Achtung:

- Der Lithium-Ionen-Akku hat einen integrierten, elektronischen Entladungsschutz, der verhindert, dass der Akku komplett entladen wird. Dies bedeutet, dass er nicht an Leistung verliert, sondern dass die Versorgung erst dann von der Elektronik unterbrochen wird, wenn der Akku geladen werden muss. Das Werkzeug bleibt dann unmittelbar stehen. Wenn dies eintritt, nicht versuchen, weiterzuarbeiten, sondern den Akku laden, damit er nicht beschädigt wird.
- Der Akku ist mit einem integrierten, elektronischen Überlastschutz ausgestattet. Wenn das Werkzeug zu stark beansprucht wird, löst die Elektronik aus und das Werkzeug bleibt stehen. In diesem Fall den Abzug loslassen und einige Sekunden warten, bevor die Heckenschere wieder gestartet werden kann.
- Ein Lithium-Ionen-Akku unterliegt keinem Memory-Effekt, d. h. der Akku kann unabhängig vom Ladestatus geladen werden, ohne Schaden zu nehmen.
- Die beiden ersten Male den Akku mindestens 6 Stunden laden.
- Bei längerer Lagerung den Akku mindestens alle 6 Monate laden.

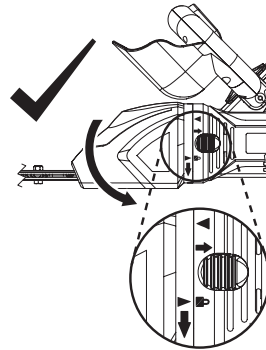
# Montage

**Achtung:** Es ist äußerst wichtig, dass die unten beschriebene Drehung der Schwerhalterung in die richtige Richtung erfolgt. Sollte die Halterung in die falsche Richtung gedreht werden, kann sie nicht wieder zurückgedreht werden.



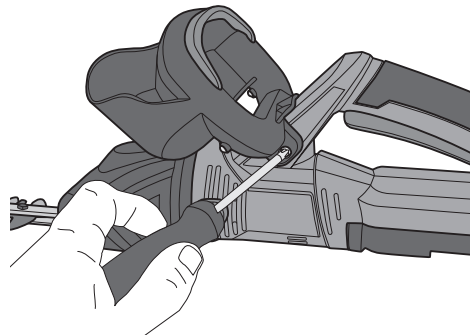
1. Die Teile der Heckenschere so halten, dass die beiden Pfeile auf einander zeigen.
2. Die beiden Teile zusammen drücken, sodass sich die Pfeile treffen.
3. Die Schwerhalterung so drehen, dass der Pfeil auf das Schlosssymbol zeigt. Ein Klicken ist zu hören, wenn die Halterung korrekt einrastet.

Nach der Montage kann das Schwert nur im Uhrzeigersinn vom Schlosssymbol gedreht werden. Es kann nicht soweit zurückgedreht werden, dass sich die Pfeile wieder treffen (wie bei der Montage).



## Zusatz-Handgriff mit Einschaltperre und Handschutz

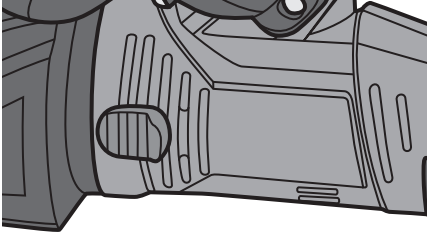
Den Zusatz-Handgriff an der Heckenschere anbringen und mithilfe der 2 Schrauben befestigen.



# Anwendung

## Start

Vor dem Starten Folgendes überprüfen:



- Die Lufteinlässe am Motor sind geöffnet.
  - Die Heckenschere und der Akku sind unbeschädigt.
  - Die Einschaltsperrleiste und der Startschalter sind leichtgängig und bleiben nicht stecken oder funktionieren auf andere Weise fehlerhaft.
  - Griff und Zusatz-Handgriff sind sauber und griffig.
1. Den Schwertschutz vom Schwert entfernen.
  2. Den Akku einsetzen und ordentlich einrasten lassen.
  3. Die Einschaltsperrleiste eindrücken und dann den Startschalter.  
Die Heckenschere startet.  
**Achtung:** Sowohl Einschaltsperrleiste und Startschalter müssen andauernd eingedrückt werden, damit der Motor läuft.
  4. Die Heckenschere schaltet aus, wenn entweder die Sperre oder der Schalter losgelassen wird.

**Achtung:** Manchmal sind Funken im Lufteinlass des Motors zu sehen, wenn dieser ausgeschaltet wird. Das ist vollkommen normal.

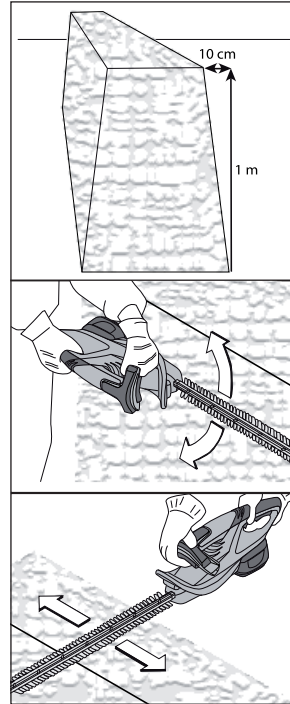
## Drehung des Schwertes

Das Schwert der Heckenschere kann um 90° gedreht werden, um das Schneiden der Heckenseite zu erleichtern.

1. Den Akku aus dem Gerät nehmen.
2. Die Sperre (8) nach hinten ziehen und das Schwert um 90° drehen.

## Schneiden

- Sicherstellen, dass sich in dem Bereich, der geschnitten werden soll keine Fremdkörper (Metalldrähte/Zaunpfähle) befinden.
- Max. Aststärke  $\varnothing$  15 mm.
- Die Heckenschere gut festhalten und festen Halt suchen, nicht zu weit nach vorne beugen. Beim Arbeiten auf einer Leiter besonders vorsichtig vorgehen.
- Die Heckenschere langsam und vorsichtig nach vorne entlang der gedachten Schnittlinie führen.
- Mit dem doppelseitigen Schwert kann in beide Richtungen geschnitten werden bzw. mit einer pendelnden Bewegung von Seite zu Seite.
- Für einen gleichmäßigen Schnitt an den Seiten wird empfohlen, in Wachsrichtung von unten nach oben zu schneiden. Beim Schneiden von oben nach unten beugen sich die dünneren Zweige nach außen, was dazu führen kann, dass dünne Stellen oder Löcher in der Hecke entstehen.
- Für eine gleichmäßige Oberkante kann als Richtschnur ein Seil über die Hecke gespannt werden.



## Pflege und Wartung

**Achtung:** Vor Service- oder Wartungsarbeiten den Akku aus dem Gerät entfernen.

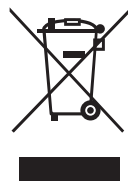
- Die Heckenschere niemals Regen aussetzen.
- Beim Reinigen und Handhaben des Schwertes Schutzhandschuhe tragen.
- Regelmäßig überprüfen, ob die Einschaltsperrleiste und der Startschalter unbeschädigt und funktionstüchtig sind.
- Den Zustand der Messer regelmäßig kontrollieren und sicherstellen, dass die Schrauben am Schwert angezogen sind.
- Bei längerer Nichtbenutzung das Schwert und die Messer mit Öl fetten.
- Das Gerät äußerlich mit einer weichen Bürste und einem Tuch reinigen.
- Kein Wasser, Lösungs- oder Poliermittel verwenden.
- Sämtlichen Schmutz entfernen, vor allem an den Belüftungsöffnungen des Motors.
- Die Heckenschere trocken und staubfrei außerhalb der Reichweite von Kindern verstauen.
- Den Akku nicht bei Minusgraden lagern.
- Bei Nichtgebrauch immer den Schwertschutz anbringen.

## Fehlersuche

Die Heckenschere startet nicht.	<ul style="list-style-type: none"> <li>• Der Akku ist leer.</li> <li>• Überprüfen, ob sowohl Einschaltsperrleiste und Startschalter ordnungsgemäß eingedrückt werden.</li> </ul>
Das Schwert und die Messer werden heiß.	<ul style="list-style-type: none"> <li>• Das Schwert ölen und bei Bedarf von einem Fachmann die Messer schleifen lassen.</li> </ul>
Schlechte Akkulaufzeit.	<ul style="list-style-type: none"> <li>• Die Heckenschere geht schwer. Schwert und Messer säubern und ölen.</li> <li>• Der Akku ist nicht vollständig geladen.</li> <li>• Der Akku muss ausgetauscht werden.</li> </ul>
Der Akku lädt nicht.	<ul style="list-style-type: none"> <li>• Der Akku ist nicht ordnungsgemäß im Ladegerät eingesetzt.</li> <li>• Die Kontakte von Akku und Ladegerät sind verschmutzt.</li> <li>• Der Akku muss ausgetauscht werden.</li> <li>• Das Netzkabel ist nicht ordnungsgemäß an die Steckdose angeschlossen.</li> <li>• Sicherstellen, dass die Steckdose stromführend ist.</li> <li>• Das Ladegerät oder dessen Kabel ist beschädigt.</li> <li>• Der Akku ist defekt und muss ausgetauscht werden.</li> </ul>

## Hinweise zur Entsorgung

Dieses Symbol zeigt an, dass das Produkt nicht gemeinsam mit dem Haushaltsabfall entsorgt werden darf. Dies gilt in der gesamten EU. Um möglichen Schäden für die Umwelt und Gesundheit vorzubeugen, die durch fehlerhafte Abfallentsorgung verursacht werden, soll dieses Produkt auf verantwortliche Weise recycelt werden um die nachhaltige Wiederverwertung von stofflichen Ressourcen zu fördern. Bei der Rückgabe des Produktes bitte die vorhandenen Recycling- und Sammelstationen benutzen oder den Händler kontaktieren. Dieser kann das Produkt auf eine umweltfreundliche Weise recyceln.



# Technische Daten

## Heckenschere

Leerlaufdrehzahl	1400 /min
Schwertlänge	510 mm
Max. Astdurchmesser	15 mm
Gewicht	3 kg mit 2 Ah Akku und 3,2 kg mit 4,0 Ah Akku
Schallpegel	LpA: 71,7 dB(A), K = 3 dB(A) LwA: 85,6 dB(A), K = 3 dB(A)
Schwingungswert	3,415 m/s <sup>2</sup> , K = 1,5 m/s <sup>2</sup>

## Akku 18 V Li-Ion

Kapazität	2 Ah
Ladezeit	1 Stunde

## Batterieladegerät

Betriebsspannung	230 V, 50–60 Hz
Ausgangsspannung	18 V DC
Ausgangsstromstärke	2,5 A

# Declaration of Conformity

Försäkran om överensstämmelse

Samsvarerklæring

Vakuutus yhdenmukaisuudesta

Konformitätserklärung



**CLAS OHLSON AB**

**SE-793 85 INSJÖN, SWEDEN**

Declares that this product complies with the requirements of the following directives and standards

Intygar att denna produkt överensstämmer med kraven i följande direktiv och standarder

Bekrefter at dette produktet er i samsvar med følgende direktiver og standarder

Vakuuttaa, että tämä tuote täyttää seuraavien direktiivien ja standardien vaatimukset

Erklärt hiermit, dass dieses Produkt die Anforderungen und Bestimmungen folgender Richtlinien erfüllt

## HEDGE TRIMMER

Cocraft 31-1327-1 / 31-1328 / 18-4631

DCHT201B / DCHT201 / DCHT201B-UK

(31-1327-1 / 18-4631)

MACHINERY DIRECTIVE 2006/42/EC	EMC DIRECTIVE 2004/108/EC	LOW VOLTAGE DIRECTIVE 2006/95/EC
EN 60745-1:2009 EN ISO 10517:2009 EN 786/A2:2009	EN 55014-1:2006 EN55014-2/A1:2001 EN61000-6-3:2007	EN 60335-1:2002+A11+ A1+A12+A2+A13 EN 62233:2008 EN60335-2-29:2004

Klas Balkow  
President

Insjön, Sweden, 2014-11-07

Cocraft®

LXC

LITHIUM XROSS CONNECT



18V LITHIUM  
SERIES