

31-9464

**Cocraft®**

**LXC**

LITHIUM XROSS CONNECT

**18V LITHIUM  
SERIES**

SHRUB AND GRASS SHEARS **18V**

**LXC MTG18**



**Important:**

Read the entire instruction manual carefully and make sure that you fully understand it before you use the equipment. Keep the manual for future reference.

**Viktig information:**

Läs hela bruksanvisningen noggrant och försäkra dig om att du har förstått den innan du använder utrustningen. Spara bruksanvisningen för framtida bruk.

**Viktig informasjon:**

Les disse anvisningene nøye og forsikre deg om at du forstår dem, før du tar produktet i bruk. Ta vare på anvisningene for seinere bruk.

**Tärkeää tietoa:**

Lue nämä ohjeet huolellisesti ja varmista että olet ymmärtänyt ne, ennen kuin alat käyttää laitetta. Säilytä ohjeet myöhempää tarvetta varten.

**Wichtiger Hinweis:**

Vor Inbetriebnahme die komplette Bedienungsanleitung sorgfältig durchlesen und aufbewahren.



**Art.no**  
31-9464

**Model**  
ASYPHT04180

**Ver. 20180228**  
Original instructions  
Bruksanvisning i original  
Originalbruksanvisning  
Alkuperäinen käyttöohje  
Original Bedienungsanleitung

ENGLISH

SVENSKA

NORSK

SUOMI

DEUTSCH

## SVERIGE

Kundtjänst tel: 0247/445 00  
fax: 0247/445 09  
e-post: kundservice@clasohlson.se

Internet www.clasohlson.se

Post Clas Ohlson AB, 793 85 INSJÖN

## NORGE

Kundesenter tlf.: 23 21 40 00  
faks: 23 21 40 80  
e-post: kundesenter@clasohlson.no

Internett www.clasohlson.no

Post Clas Ohlson AS, Postboks 485 Sentrum, 0105 OSLO

## SUOMI

Asiakaspalvelu puh.: 020 111 2222  
sähköposti: info@clasohlson.fi

Internet www.clasohlson.fi

Osoite Clas Ohlson Oy, Kaivokatu 10 B, 00100 HELSINKI

## UNITED KINGDOM

Customer Service Contact number: 020 8247 9300  
E-mail: customerservice@clasohlson.co.uk

Internet www.clasohlson.co.uk

Postal 10 – 13 Market Place  
Kingston Upon Thames  
Surrey  
KT1 1JZ

## DEUTSCHLAND

Kundeservice Hotline: 040 2999 78111  
E-Mail: kundenservice@clasohlson.de

Homepage www.clasohlson.de

Postanschrift Clas Ohlson GmbH, Jungfernstieg 38,  
20354 Hamburg


# Shrub and Grass Shears

Art.no 31-9464      Model ASYPHT04180

Please read the entire instruction manual before use and then save it for future reference. We reserve the right for any errors in text or images and any necessary changes made to technical data. In the event of technical problems or other queries, please contact our Customer Services.

## Safety

### General Power Tool Safety Warnings

 **Warning: Read all safety warnings and all instructions.** *Failure to follow the warnings and instructions may result in electric shock, fire and/or serious injury.*

SAVE ALL WARNINGS AND INSTRUCTIONS FOR FUTURE REFERENCE.

*The term "power tool" in the warnings refers to your mains-operated (corded) power tool or battery-operated (cordless) power tool.*

#### 1) Work area safety

- a) **Keep work area clean and well lit.** *Cluttered or dark areas invite accidents.*
- b) **Do not operate power tools in explosive atmospheres, such as in the presence of flammable liquids, gases or dust.** *Power tools create sparks which may ignite the dust or fumes.*
- c) **Keep children and bystanders away while operating a power tool.** *Distractions can cause you to lose control.*

#### 2) Electrical safety

- a) **Power tool plugs must match the outlet. Never modify the plug in any way. Do not use any adapter plugs with earthed (grounded) power tools.** *Unmodified plugs and matching outlets will reduce risk of electric shock.*
- b) **Avoid body contact with grounded surfaces, such as pipes, radiators, ranges and refrigerators.** *There is an increased risk of electric shock if your body is earthed or grounded.*
- c) **Do not expose power tools to rain or wet conditions.** *Water entering a power tool will increase the risk of electric shock.*
- d) **Do not abuse the cord. Never use the cord for carrying, pulling or unplugging the power tool. Keep cord away from heat, oil, sharp edges or moving parts.** *Damaged or entangled cords increase the risk of electric shock.*
- e) **When operating a power tool outdoors, use an extension cord suitable for outdoor use.** *Use of a cord suitable for outdoor use reduces the risk of electric shock.*
- f) **If operating a power tool in a damp location is unavoidable, use a residual current device (RCD) protected supply.** *Use of an RCD reduces the risk of electric shock.*

### 3) Personal safety

- a) **Stay alert, watch what you are doing and use common sense when operating a power tool. Do not use a power tool while you are tired or under the influence of drugs, alcohol or medication.** *A moment of inattention while operating power tools may result in serious personal injury.*
- b) **Use personal protective equipment. Always wear eye protection.** *Protective equipment such as dust mask, non-skid safety shoes, hard hat, or hearing protection used for appropriate conditions will reduce personal injuries.*
- c) **Prevent unintentional starting. Ensure the switch is in the off-position before connecting to power source and/or battery pack, picking up or carrying the tool.** *Carrying power tools with your finger on the switch or energising power tools that have the switch on invites accidents.*
- d) **Remove any adjusting key or wrench before turning the power tool on.** *A wrench or a key left attached to a rotating part of the power tool may result in personal injury.*
- e) **Do not overreach. Keep proper footing and balance at all times.** *This enables better control of the power tool in unexpected situations.*
- f) **Dress properly. Do not wear loose clothing or jewellery. Keep your hair, clothing and gloves away from moving parts.** *Loose clothes, jewellery or long hair can be caught in moving parts.*
- g) **If devices are provided for the connection of dust extraction and collection facilities, ensure these are connected and properly used.** *Use of dust collection can reduce dust-related hazards.*

### 4) Power tool use and care

- a) **Do not force the power tool. Use the correct power tool for your application.** *The correct power tool will do the job better and safer at the rate for which it was designed.*
- b) **Do not use the power tool if the switch does not turn it on and off.** *Any power tool that cannot be controlled with the switch is dangerous and must be repaired.*
- c) **Disconnect the plug from the power source and/or the battery pack from the power tool before making any adjustments, changing accessories, or storing power tools.** *Such preventive safety measures reduce the risk of starting the power tool accidentally.*
- d) **Store idle power tools out of the reach of children and do not allow persons unfamiliar with the power tool or these instructions to operate the power tool.** *Power tools are dangerous in the hands of untrained users.*
- e) **Maintain power tools. Check for misalignment or binding of moving parts, breakage of parts and any other condition that may affect the power tool's operation. If damaged, have the power tool repaired before use.** *Many accidents are caused by poorly maintained power tools.*
- f) **Keep cutting tools sharp and clean.** *Properly maintained cutting tools with sharp cutting edges are less likely to bind and are easier to control.*
- g) **Use the power tool, accessories and tool bits etc. in accordance with these instructions, taking into account the working conditions and the work to be performed.** *Use of the power tool for operations different from those intended could result in a hazardous situation.*

## 5) Battery tool use and care

- a) **Recharge only with the charger specified by the manufacturer.** *A charger that is suitable for one type of battery pack may create a risk of fire when used with another battery pack.*
- b) **Use power tools only with specifically designated battery packs.** *Use of any other battery packs may create a risk of injury and fire.*
- c) **When battery pack is not in use, keep it away from other metal objects, like paper clips, coins, keys, nails, screws or other small metal objects, that can make a connection from one terminal to another.** *Shorting the battery terminals together may cause burns or a fire.*
- d) **Under abusive conditions, liquid may be ejected from the battery; avoid contact. If contact accidentally occurs, flush with water. If liquid contacts eyes, additionally seek medical help.** *Liquid ejected from the battery may cause irritation or burns.*

## 6) Service

- a) **Repairs and service should only be performed by qualified persons, and only with original spare parts.** *This guarantees the safety of the power tool.*

## Specific safety instructions for electric grass shears

- This product must not be used by anyone (including children) suffering from physical or mental impairment. Persons without sufficient experience and knowledge may only use the product if they have received instructions in its use by someone responsible for their safety.
- Keep all bodily parts away from the cutting blades. Do not remove debris from the blades or hold onto any material that you are cutting whilst the cutter blades are in motion. Remove the battery before dislodging any debris. One moment of carelessness can result in personal injury.
- Never let children play with the product.
- Switch the product off and carry it by the handle when moving it over short distances. Always switch the product off and fit the blade guard before transporting the product or moving it from one workplace to another.
- Before use, check the grass to be cut for foreign objects.
- After the product has been switched off, the cutter blades will continue moving for a few seconds.



Keep hands away from moving blades.

## Additional safety rules for hedge trimmers

- This product must not be used by anyone (including children) suffering from physical or mental impairment. Persons without sufficient experience and knowledge may only use the hedge trimmer if they have received instructions in its use by someone responsible for their safety.
- Keep all bodily parts away from the cutting blades. Do not remove debris from the blades or hold onto any material that you are cutting whilst the trimmer blades are in motion. Remove the battery before dislodging any debris. One moment of carelessness can result in serious personal injury.
- Never allow children to play with the product.
- Turn off the hedge trimmer and carry it by the handle when moving it short distances. Always switch the hedge trimmer off and fit the blade guard before transporting the trimmer or moving it from one workplace to another.
- Before beginning work, make sure that there are no foreign objects such as fencing wire in the hedge/bush about to be trimmed.
- Always hold the hedge trimmer with both hands during use.
- The blades will continue in motion for a few seconds after the power has been turned off.

 **Warning:** Do not touch the blades while they are in motion.

## Safety symbols



Read the entire instruction manual.



Do not expose the electric power tool to rain.



Safety helmet, eye protection and ear protection must be worn.



Keep all bodily parts away from the cutting mechanism (saw chain, hedge trimmer blades) during start and while using the electric power tool.



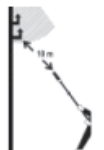
Safety gloves must be worn.



**Note:** Remove the battery from the electric power tool before any care or maintenance is performed.



Safety shoes must be worn.



A safe distance of 10 m from the high-voltage cable must always be maintained.

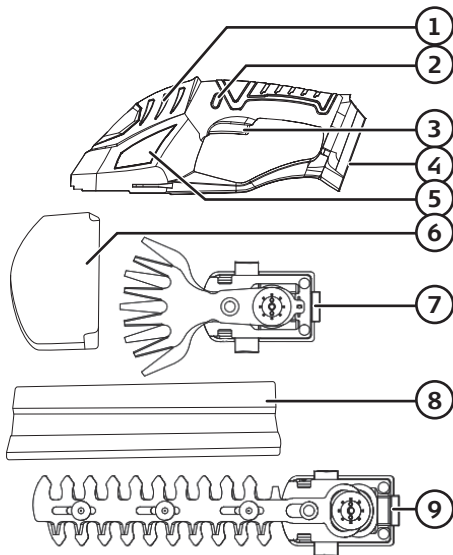


Thrown objects can ricochet and result in personal injury or property damage. Wear protective clothing and boots.



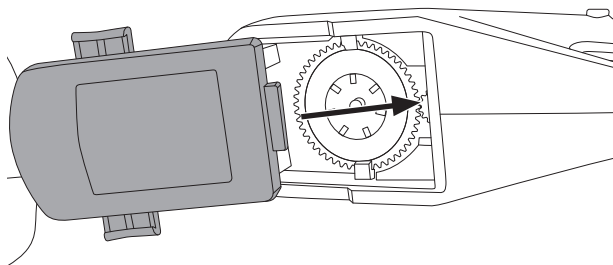
## Product description

1. Motor housing ventilation slits
2. Trigger lock switch
3. Power trigger
4. Battery connection/attachment for telescopic shaft
5. Motor unit
6. Grass shear sheath
7. Grass Shears
8. Hedge trimmer sheath
9. Hedge trimmer

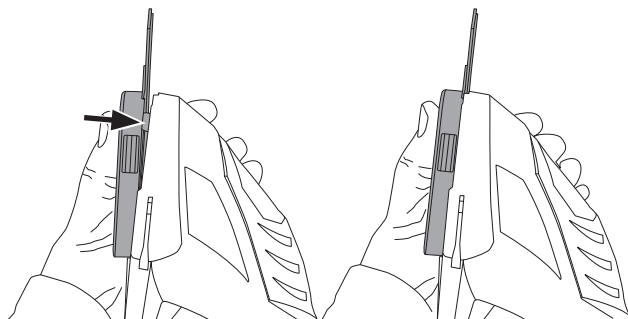


## Attaching the grass shear/hedge trimmer head

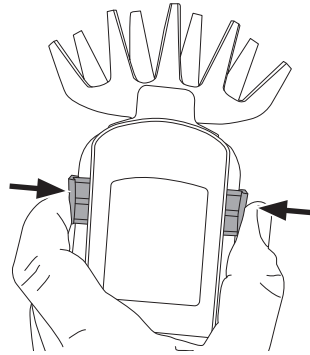
1. Slot the tab on the end of the head into the slot in the housing.



2. Push the grass shear/hedge trimmer head flat against the attachment plate of the tool.



- Press in the catches on the sides of the grass shear/hedge trimmer head to release the head.



## Overload protection and other safety features

The battery has a number of safety features that prevent damage to the shrub/grass shears and battery during use.

- During brief moments of high loads, the overload protection may switch the shrub/grass shears off. This protection resets automatically. Release the power switch, wait a few seconds, ensure that there is no load and restart the shrub/grass shears. The shrub/grass shears should now function normally again.
- Under high loads for extended periods, the overheating protection may switch the shrub/grass shears off. This feature is self-resetting but the shrub/grass shears cannot be restarted until it has returned to a safe operating temperature. Let the shrub/grass shears battery cool before trying to restart it. Adverse temperatures can occur in direct sunlight and should therefore be avoided.
- The battery has a low-voltage protection device, which operates when the battery becomes discharged. The low-voltage protection device turns off the shrub/grass shears automatically and the battery then needs to be recharged.

## Instructions for use

### Warning:

- Always keep the work area tidy so you can move freely without the risk of tripping over obstacles.
- Make sure that there are no foreign objects or loose branches which could become caught in the blades of the grass shears/hedge trimmer.
- Make sure that you are wearing all required safety gear before starting.
- Make sure that all parts of the grass shears/hedge trimmer are intact, accounted for and undamaged.
- Make sure that the blades are sharp and lubricated.
- Keep the motor housing ventilation slots (1) free from debris.
- The safety lock button (2) and power trigger (3) are easily depressed and do not stick or function abnormally in any way.
- Ensure that the handle is clean and easily gripped.

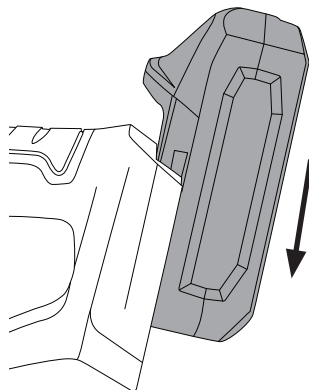


## Take the following points into consideration when using the trimmer

- Make sure that there are no hidden obstacles (metal poles/wire fences) in the area to be trimmed.
- Max branch diam: 8 mm.
- Hold the trimmer firmly; maintain a steady stance and do not lean out too far. Be extra careful when using a ladder.
- Move the trimmer along in a slow and steady motion.
- The double-sided blade enables trimming in both directions or in a pendulum action from side to side.
- For even trimming on the sides it is better to cut in the direction of growth, from the bottom up.
- If you trim from the top down, the thinner twigs will bend out and there is a risk of holes or thin patches appearing in your hedge.
- In order to ensure a straight top edge, you can stretch a length of string over the hedge as a guide.

## Switching on

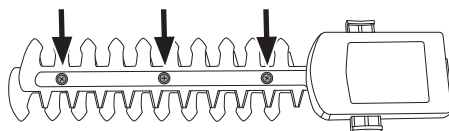
1. Remove the sheath from the hedge trimmer cutter bar/grass shears.
2. Slide the battery into the grooves of the battery connection on the bottom of the handle (4) making sure that it clicks securely into place.
3. Slide the trigger safety switch to the side and press the power trigger. The grass shears/hedge trimmer should now start.
4. The grass shears/hedge trimmer will stop automatically when the power trigger is released.



## Care and maintenance

### Warning:

- Always remove the battery before performing any service or maintenance.
- Wear protective gloves when handling or cleaning the blades.
- Regularly check that the on/off switch and safety lock are undamaged and work correctly.
- Check regularly and lubricate the blades with appropriate lubricant and make sure that the screws in the cutter bar are tight.



- Lubricate the blades with an appropriate lubricant if the tool is not to be used for a long time.
- Clean the exterior of the motor housing using a damp cloth. Use only mild cleaning agents, never solvents or corrosive chemicals.
- Remove all dirt, especially from around the motor ventilation slits.
- Whenever the tool is not to be used for a long time, it should be stored in a dry, dust-free environment, out of children's reach.
- Do not store the battery in temperatures below zero.
- Always keep the sheath on the grass shears and hedge trimmer cutter bar when the tool is not in use.

## Troubleshooting guide

The shrub/grass shears won't start.	Discharged or incorrectly inserted battery. Charge the battery and ensure that it is properly fitted to the battery connection.
The shrub/grass shears are sluggish and/or cut out.	<ul style="list-style-type: none"> <li>• The blades are blunt or damaged. Check and replace if necessary.</li> <li>• Too much force applied. Decrease the applied force.</li> <li>• The battery might be overheated. Read the <i>Overload protection and other safety features</i> section.</li> </ul>
Poor battery operating time.	<ul style="list-style-type: none"> <li>• The battery is not fully charged. A few charging cycles where the battery is charged 100% might be needed before it reaches full capacity.</li> <li>• The battery needs replacing.</li> </ul>
The battery does not charge.	<ul style="list-style-type: none"> <li>• The battery is not correctly inserted into the charger.</li> <li>• The battery or charger contacts are dirty. Disconnect the charger from the power supply and clean the contacts.</li> <li>• The mains lead is not securely plugged into the wall socket.</li> <li>• Check that the wall socket is energised.</li> <li>• The charger or mains lead is damaged.</li> <li>• The battery needs replacing.</li> </ul>

## Responsible disposal

This symbol indicates that this product should not be disposed of with general household waste. This applies throughout the entire EU. In order to prevent any harm to the environment or health hazards caused by incorrect waste disposal, the product must be handed in for recycling so that the material can be disposed of in a responsible manner. When recycling the product, take it to your local collection facility or contact the place of purchase. They will ensure that the product is disposed of in an environmentally sound manner.



## Specifications

<b>No-load speed</b>	1100 rpm
<b>Hedge trimmer blade length</b>	180 mm
<b>Hedge trimmer cutting capacity</b>	8 mm
<b>Grass shears cutting width</b>	100 mm
<b>Hedge trimmer weight</b>	0.8 kg (without battery)
<b>Grass shears weight</b>	0.7 kg (without battery)
<b>Noise level</b>	LpA = 78.8 dB(A), K = 3 dB(A) LwA = 85 dB(A), K = 3 dB(A)
<b>Vibration level</b>	3.05 m/s <sup>2</sup> , K = 1.5 m/s <sup>2</sup>

## Vibration

- The measurement of the vibration emission level (triaxial vector sum) and the noise level values declared in this instruction manual have been carried out in accordance with a standardised test method described in EN 50636-2-91 and can be used for comparing one power tool with another.
- The measurement method may also be used for a preliminary assessment of vibration exposure.
- The declared vibration emission level applies when the power tool is used in accordance with this instruction manual. If however, the power tool is used for other purposes and with other accessories or has not been properly maintained, the vibration emission level could increase significantly over the total working period.
- For an exact assessment of the vibration exposure, the times when the tool is switched off or running idle should also be taken into account. This significantly reduces the vibration exposure over the total working period. Decide upon safety measures to protect the operator from the effects of vibration during all types of use.

# Multitrimmer

Art.nr 31-9464      Modell ASYPHT04180

Läs igenom hela bruksanvisningen före användning och spara den sedan för framtida bruk. Vi reserverar oss för ev. text- och bildfel samt ändringar av tekniska data. Vid tekniska problem eller andra frågor, kontakta vår kundtjänst.

SVENSKA

## Säkerhet

### Generella säkerhetsinstruktioner för elektriska handverktyg



**Varning! Läs alla instruktioner.** Om nedanstående instruktioner inte följs kan detta leda till elektrisk stöt, brand eller allvarlig skada.

SPARA DESSA INSTRUKTIONER.

Termen "elektriskt handverktyg" i varningstexten nedan refererar till ditt nätanslutna eller batteridrivna handverktyg.

#### 1) Arbetsutrymmet

- a) **Håll arbetsutrymmet rent och väl upplyst.** Belamrade och mörka utrymmen inbjuder till olyckor.
- b) **Använd inte elektriska handverktyg i explosiva miljöer, som i närheten av lättantändliga vätskor, gaser eller damm.** Elektriska handverktyg genererar gnistor som kan antända damm eller ångor.
- c) **Håll undan barn och åskådare medan du använder det elektriska handverktyget.** Störningsmoment kan göra att du tappar kontrollen över verktyget.

#### 2) Elektrisk säkerhet

- a) **Det elektriska handverktygets stickpropp måste passa i vägguttaget.** Modifiera aldrig stickproppen på något vis. Använd aldrig adapter tillsammans med jordade elektriska handverktyg. Omodifierade stickproppar och passande vägguttag minskar risken för elektrisk stöt.
- b) **Undvik kroppskontakt med jordade föremål, t.ex. rör, element, köksspis och kylskåp.** Det innebär ökad risk för elektrisk stöt om din kropp är jordad.
- c) **Utsätt inte det elektriska handverktyget för regn eller våta förhållanden.** Om vatten tränger in i ett elektriskt handverktyg ökar det risken för elektrisk stöt.
- d) **Misshandla inte nätsladden.** Använd aldrig nätsladden för att bära, dra eller rycka stickproppen ur vägguttaget. Håll undan nätsladden från värme, olja, vassa kanter och rörliga delar. Skadade eller trassliga nätsladdar ökar risken för elektrisk stöt.
- e) **När du använder ett elektriskt handverktyg utomhus, använd en skarvsladd anpassad för detta ändamål.** Användning av en skarvsladd för utomhusbruk minskar risken för elektrisk stöt.
- f) **Om det inte går att undvika att det elektriska handverktyget används i fuktig miljö, använd ett vägguttag utrustat med jordfelsbrytare.** Användning av jordfelsbrytare minskar risken för elektrisk stöt.

### 3) Personlig säkerhet

- a) **Var uppmärksam på vad du gör och använd sunt förnuft när du använder ett elektriskt handverktyg.** Använd inte ett elektriskt handverktyg om du är trött eller påverkad av droger, alkohol eller medicinering. *Ett ögonblicks ouppmärksamhet när du använder ett elektriskt handverktyg kan resultera i allvarlig personskada.*
- b) **Använd skyddsutrustning.** Bär alltid skyddsglasögon. *Att vid behov använda skyddsutrustning, t.ex. andningsskydd, halksäkra skyddsskor, hjälm och hörselskydd, minskar risken för personskada.*
- c) **Undvik oavsiktlig start.** Se till att strömbrytaren är i läge OFF innan du ansluter stickproppen till vägguttaget, ansluter batteriet eller lyfter upp/bär det elektriska handverktyget. *Att bära ett elektriskt handverktyg med ett finger på strömbrytaren/avtryckaren eller att ansluta ett elektriskt handverktyg till elnätet när strömbrytaren är i läge ON inbjuder till olyckor.*
- d) **Ta bort alla serviceverktyg/nycklar innan du slår på det elektriska handverktyget.** *Ett kvarglömmt serviceverktyg på en roterande del av det elektriska handverktyget kan resultera i personskada.*
- e) **Sträck dig inte för långt.** Se till att du står stadigt med god balans hela tiden. *Detta möjliggör bättre kontroll över det elektriska handverktyget i oväntade situationer.*
- f) **Bär lämplig klädsel.** Bär inte löst sittande kläder eller smycken. Håll undan hår, kläder och handskar från rörliga delar. *Lösa kläder, smycken och långt hår kan fastna i rörliga delar.*
- g) **Om utrustning för utsugning och uppsamling av damm finns tillgänglig, se till att denna är ansluten och används på ett korrekt sätt.** *Användning av dessa hjälpmedel kan minska dammrelaterade faror.*

### 4) Användning och underhåll av det elektriska handverktyget

- a) **Pressa inte det elektriska handverktyget.** Använd ett elektriskt handverktyg som är avsett för det arbetsmoment du utför. *Korrekt elektriskt handverktyg gör jobbet bättre och säkrare med avsedd matningshastighet.*
- b) **Använd inte det elektriska handverktyget om strömbrytaren inte slår på och stänger av verktyget.** *Alla elektriska handverktyg som inte kan kontrolleras med strömbrytaren är farliga och måste repareras.*
- c) **Ta stickproppen ur vägguttaget eller ta ur batteriet innan du utför några justeringar, byter tillbehör eller lägger undan det elektriska handverktyget för förvaring.** *Dessa förebyggande skyddsåtgärder minskar risken för att starta det elektriska handverktyget oavsiktligt.*
- d) **Förvara elektriska handverktyg som inte används utom räckhåll för barn och låt inte personer som inte är förtrogna med det elektriska handverktyget eller dessa instruktioner använda det.** *Elektriska handverktyg är farliga om de kommer i händerna på ovana användare.*
- e) **Underhåll elektriska handverktyg.** Kontrollera om något är felinställt, om rörliga delar kärvar, om delar har gått sönder eller om något annat har inträffat som kan påverka funktionen hos det elektriska handverktyget. **Om något är skadat måste det repareras före användning.** *Många olyckor beror på dåligt underhållna elektriska handverktyg.*

- f) **Håll skärverktyg vassa och rena.** *Ordentligt underhållna skärverktyg med vassa eggjar är mindre benägna att kärva och lättare att kontrollera.*
- g) **Använd det elektriska handverktyget, tillbehör etc. enligt dessa instruktioner, ta hänsyn till arbetsförhållanden och till det arbete som ska utföras.** *Användning av det elektriska handverktyget för andra arbeten än vad det är ämnat för kan resultera i en farlig situation.*

### 5) Användning och service av det laddbara handverktyget

- a) **Ladda batteriet endast med en laddare som är utvald av tillverkaren.** *En laddare som passar till en typ av batteri kan orsaka brandrisk om den används till en annan typ av batteri.*
- b) **Använd laddbara handverktyg endast tillsammans med därför ämnade batterier.** *Användning av andra batterier kan orsaka skade- och brandrisk.*
- c) **När batteriet inte används, förvara det på avstånd från andra metallföremål som gem, mynt, nycklar, spikar, skruvar eller andra små metallföremål som kan skapa kontakt från den ena batteripolen till den andra.** *Kortslutning av batteripolerna kan orsaka brännskador eller brand.*
- d) **Om batteriet misshandlas kan syra läcka ut. Undvik kontakt med syran. Om du av misstag kommer i kontakt med syran, spola med vatten. Om syran kommer i kontakt med ögonen, uppsök läkare.** *Syra som kommer från batteriet kan orsaka irritation och brännskador.*

### 6) Service

- a) **Låt behörig personal utföra service och reparationer, och endast med originalreservdelar.** *Detta garanterar att säkerheten hos det elektriska handverktyget behålls.*

## Särskilda säkerhetsföreskrifter för grässaxar


- Grässaxen får inte användas av personer (inklusive barn) med nedsatt fysisk eller mental förmåga. Personer utan tillräcklig erfarenhet och kunskap får endast använda häcksaxen om de har fått instruktioner om användningen av någon som ansvarar för deras säkerhet.
- Håll undan alla kroppsdelar ifrån skärverktyget. Rensa inte bort klippt material eller håll i material som ska klippas när skärverktyget är i rörelse. Ta bort batteriet innan material som fastnat avlägsnas. Ett ögonblicks ovarsamhet vid användning kan resultera i personskada.
- Låt aldrig barn leka med grässaxen.
- Stäng av grässaxen och bär den i handtaget vid kortare förflyttning. Vid längre förflyttning och transport ska grässaxen vara avstängd och ha skyddet för skärverktyget monterat.
- Kontrollera före användning att inga främmande föremål finns i gräset som du tänker klippa.
- Efter att du stängt av grässaxen fortsätter skärverktyget att röra sig någon sekund.



Rör inte skärverktyg som är i rörelse.

## Särskilda säkerhetsföreskrifter för häcksaxar

- Häcksaxen får inte användas av personer (inklusive barn) med nedsatt fysisk eller mental förmåga. Personer utan tillräcklig erfarenhet och kunskap får endast använda häcksaxen om de har fått instruktioner om användningen av någon som ansvarar för deras säkerhet.
- Håll undan alla kroppsdelar ifrån svärdet. Rensa inte bort klippt material eller håll i material som ska klippas när svärdets knivar är i rörelse. Ta bort batteriet innan material som fastnat avlägsnas. Ett ögonblicks ovarsamhet vid användning kan resultera i allvarlig personskada.
- Låt aldrig barn leka med häcksaxen.
- Stäng av häcksaxen och bär den i handtaget vid kortare förflyttning. Vid längre förflyttning och transport ska häcksaxen vara avstängd och ha svärdsskyddet monterat.
- Kontrollera före användning att inga främmande föremål som t.ex. trådstängsel finns i häcken/buskar som ska klippas.
- Håll alltid häcksaxen med båda händerna vid användning.
- Efter att du stängt av häcksaxen fortsätter knivarna att röra sig någon sekund.

 **Varning!** Rör inte knivar som är i rörelse.

## Säkerhetssymboler



Läs hela bruksanvisningen.



Utsätt inte det elektriska handverktyget för regn.



Skyddshjälm, ögon- och hörselskydd måste användas.



Håll undan alla kroppsdelar ifrån skärverktygen (sågkedjan, häcksaxens svärd) under start och användning av det elektriska handverktyget.



Skyddshandskar måste användas.



**Obs!** Ta bort batteriet innan skötsel eller underhåll utförs på det elektriska handverktyget.



Skyddsskor obligatoriska.



Ett säkerhetsavstånd på 10 m till högspänningskabel måste upprätthållas.

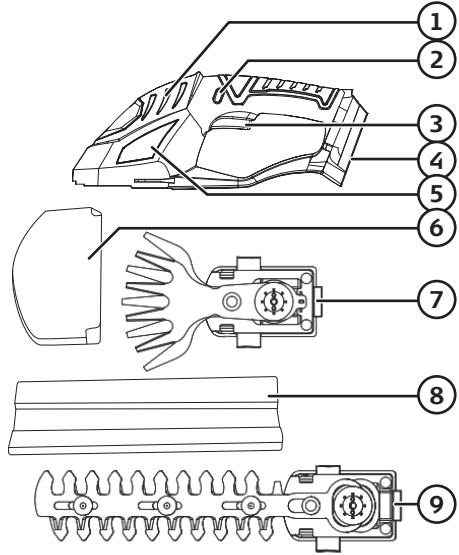


Föremål som kastas ut från grässtrimmern kan studsas och orsaka personskada och skada på egendom. Använd lämplig klädsel och skor.



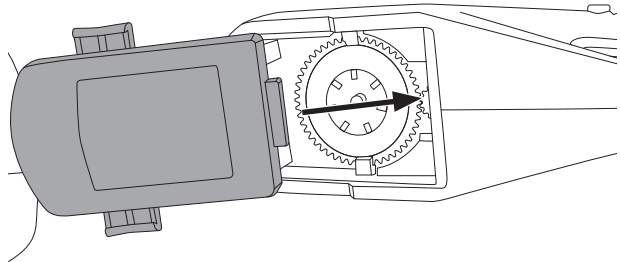
## Produktbeskrivning

1. Motorns ventilationsöppningar
2. Spärr för strömbrytare
3. Strömbrytare
4. Batterianslutning/fäste för teleskopskaft
5. Motordel
6. Skydd för grässaxens skärverktyg
7. Grässax
8. Svärdskydd för häcksax
9. Häcksax

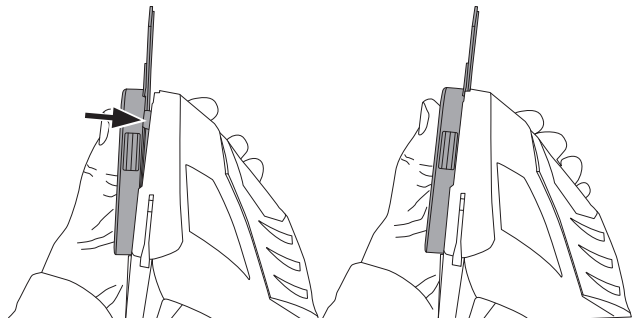


## Montering av grässax/häcksax

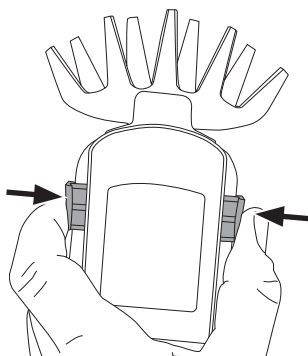
1. Placera klacken i sitt fäste.



2. Tryck fast grässaxen/häcksaxen och se till att den sitter stadigt.



- Tryck in spärrarna på grässaxen/häcksaxen för att lossa.



## Överbelastning och skydd

Batteriet är utrustat med ett antal skydd för att undvika skada på multitrimmer och batteri.

- Vid kortvarig hög belastning kan överbelastningsskyddet stänga av multitrimmern. Skyddet är självåterställande. Släpp strömbrytaren och vänta några sekunder, se till att multitrimmern är utan belastning och starta den på nytt. Multitrimmern ska nu fungera normalt igen.
- Vid hög belastning under längre tid kan ett överhettningsskydd stänga av multitrimmern. Skyddet är självåterställande men multitrimmern går inte att starta förrän temperaturen sjunkit till en säker nivå. Låt multitrimmern/batteriet svalna innan du försöker starta. Skadliga temperaturer kan även uppstå vid direkt solljus vilket ska undvikas.
- Batteriet har ett underspänningsskydd vilket träder in när batteriet blir urladdat. Underspänningsskyddet stänger då av multitrimmern automatiskt och batteriet måste laddas.

## Användning

### Varning!

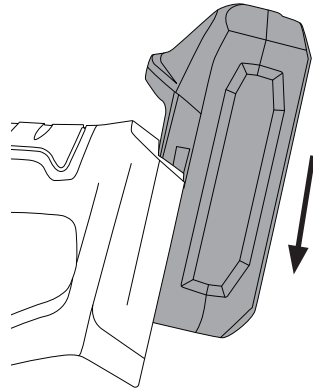
- Röj alltid upp i arbetsområdet så att du kan röra dig fritt och inte riskerar att fastna eller snubbla över något.
- Kontrollera att inga främmande föremål, löst hängande eller avbrutna grenar kan fastna i häcksaxen/grässaxen.
- Se till att du bär nödvändig skyddsutrustning.
- Försäkra dig om att häcksaxen/grässaxen är hel och att inga delar fattas eller på något sätt är skadade.
- Kontrollera att svärdets/skärverktygets knivar är vassa och smorda.
- Se till att motorns ventilationsöppningar (1) är fria från föroreningar.
- Spärren för strömbrytaren (2) och strömbrytaren (3) ska gå lätt och inte fastna eller på annat sätt fungera onormalt.
- Se till att handtagen är rena och ger bra grepp.

## Att tänka på när du använder häcksaxen

- Kontrollera att inga främmande föremål (metalltrådar/stolpar) finns osynliga inne i området som ska klippas.
- Max grentjocklek  $\varnothing$  8 mm.
- Håll häcksaxen ordentligt och stå stadigt, luta dig inte för långt. Var extra försiktig om du använder stege.
- För häcksaxen framåt, sakta och stadigt i den tänkta klipplinjen.
- Med det dubbelsidiga svärdet kan klippning ske i båda riktningarna eller med pendlande rörelser från sida till sida.
- För jämn klippning på sidorna är det bäst att klippa i tillväxtriktning nerifrån och upp.
- När klippning sker uppifrån och ner böjer sig de tunnare kvistarna utåt varvid risk finns för att tunna ställen eller hål uppstår i häcken.
- För att få en jämn övre kant kan du spänna upp snören över häcken som riktmärke.

## Start

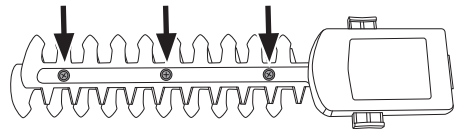
1. Ta bort svärdskydd/skydd för skärverktyg.
2. Skjut in batteriet i batterianslutningen (4) och se till att det klickar fast ordentligt.
3. Skjut spärren för strömbrytaren åt sidan och tryck in strömbrytaren. Häcksaxen/grässaxen startar.
4. Häcksaxen/grässaxen slås av genom att du släpper strömbrytaren.



## Skötsel och underhåll

### ⚠ Varning!

- Ta ut batteriet före service och underhåll.
- Använd skyddshandskar vid hantering och rengöring av svärd och skärverktyg.
- Kontrollera regelbundet att säkerhetsspärren för strömbrytaren och strömbrytaren är oskadade och fungerar på rätt sätt.
- Kontrollera och olja in svärdet och skärverktyget med lämplig olja regelbundet och se till att skruvarna på svärdet är åtdragna.
- Olja in svärdet och skärverktyget med lämplig olja om de inte ska användas under en längre period.
- Rengör motordelen utvändigt med en lätt fuktad trasa. Använd ett mildt rengöringsmedel, aldrig lösningsmedel eller frätande kemikalier.



- Avlägsna alla föroreningar, speciellt från motorns ventilationsöppningar.
- Förvara motordelen och alla tillbehör torrt och dammfritt, utom räckhåll för barn om de inte ska användas under en längre period.
- Förvara inte batteriet i minusgrader.
- Ha alltid svärdskyddet och skyddet för grässaxens skärverktyg monterade då de inte används.

## Felsökningschema

Häcksaxen/grässaxen startar inte.	Batteriet är urladdat eller felaktigt monterat. Ladda batteriet och se till att det är helt inskjutet i batterianslutningen.
Häcksaxen/grässaxen går sakta och/eller stängs av.	<ul style="list-style-type: none"> <li>• Svärdet/skärverktyget är oskarpt eller skadat. Kontrollera svärdet/skärverktyget och byt ut vid behov.</li> <li>• För hård matning. Minska på matningen.</li> <li>• Batteriet kan vara överhettat. Se avsnittet <i>Överbelastning och skydd</i>.</li> </ul>
Dålig batteritid.	<ul style="list-style-type: none"> <li>• Batteriet är inte fulladdat. Det kan behöva några laddcykler där det laddas till 100 % innan det uppnår full kapacitet.</li> <li>• Batteriet behöver bytas ut.</li> </ul>
Batteriet laddas inte.	<ul style="list-style-type: none"> <li>• Batteriet sitter inte ordentligt inskjutet i laddaren.</li> <li>• Batteriets eller laddarens kontakter är förorenade. Dra ut laddarens stickpropp ur vägguttaget och gör ren kontakterna.</li> <li>• Stickproppen sitter inte ordentligt i vägguttaget.</li> <li>• Finns det ström i vägguttaget?</li> <li>• Laddaren eller nätkabeln är skadade.</li> <li>• Batteriet behöver bytas ut.</li> </ul>

## Avfallshantering

Denna symbol innebär att produkten inte får kastas tillsammans med annat hushållsavfall. Detta gäller inom hela EU. För att förebygga eventuell skada på miljö och hälsa, orsakad av felaktig avfallshantering, ska produkten lämnas till återvinning så att materialet kan tas omhand på ett ansvarsfullt sätt. När du lämnar produkten till återvinning, använd dig av de returhanteringssystem som finns där du befinner dig eller kontakta inköpsstället. De kan se till att produkten tas om hand på ett för miljön tillfredställande sätt.



## Specifikationer

Varvtal	1100 v/min (obelastad)
Svärdlängd häcksax	180 mm
Grenkapacitet häcksax	8 mm
Klippbredd grässax	100 mm
Vikt häcksax	0,8 kg (utan batteri)
Vikt grässax	0,7 kg (utan batteri)
Ljud	LpA = 78,8 dB(A), K = 3 dB(A) LwA = 85 dB(A), K = 3 dB(A)
Vibration	3,05 m/s <sup>2</sup> , K = 1,5 m/s <sup>2</sup>

### Vibration

- Mätningen av den vibrationsnivå (vektorsumma i tre led) och de ljudvärden som anges i denna bruksanvisning har utförts enligt en mätmetod som är standardiserad i EN 50636-2-91 och kan användas vid jämförelse av olika elektriska handverktyg.
- Mätmetoden är även lämplig för preliminär bedömning av vibrationsbelastningen.
- Den angivna vibrationsnivån gäller när det elektriska handverktyget används på det sätt som beskrivs i den här bruksanvisningen. Om däremot det elektriska handverktyget används för andra ändamål och med andra tillbehör eller inte har underhållits ordentligt kan vibrationsnivån under arbetsperioden öka betydligt.
- För en exakt bedömning av vibrationsbelastningen bör även de tider beaktas när det elektriska handverktyget är frånkopplat eller är igång utan att det används. Detta reducerar vibrationsbelastningen betydligt för den totala arbetsperioden. Bestäm säkerhetsåtgärder för att skydda operatören mot vibrationernas inverkan vid alla typer av användning.

# Multitrimmer

Art.nr. 31-9464      Modell ASYPHT04180

Les brukerveiledningen grundig før produktet tas i bruk og ta vare på den for framtidig bruk. Vi reserverer oss mot ev. feil i tekst og bilde, samt forandringer av tekniske data. Ved tekniske problemer eller spørsmål, ta kontakt med vårt kundesenter.

## Sikkerhet

### Generelle sikkerhetsforskrifter - Elektriske håndverktøy

 **Advarsel! Les gjennom hele instruksjonen.** Hvis ikke instruksjonen følges, kan dette føre til elektrisk støt, brann og/eller alvorlige skader.

**Ta vare på denne veiledningen.**

Med "elektrisk håndverktøy" i teksten nedenfor, menes verktøy koblet til strømnettet eller batteridrevne håndverktøy.

#### 1) Arbeidsplassen

- a) **Hold arbeidsplassen ren, ryddig og godt opplyst.** Rotete arbeidsplass eller dårlig opplyste områder kan føre til ulykker.
- b) **Ikke bruk elektriske håndverktøy i omgivelser med eksplosjonsfare, som for eksempel i nærheten av lettantennelige væsker, gasser eller støv.** Elektrisk håndverktøy kan danne gnister, som kan antenne støv eller trespon.
- c) **Hold barn og andre tilskuere på god avstand mens du bruker elektriske håndverktøy.** Du kan lett miste kontrollen dersom du blir forstyrret mens du arbeider.

#### 2) Sikkerhet ved bruk av elektrisk strøm

- a) **Kontakten til det elektriske verktøyet må passe i veggkontakten. Kontakten må ikke forandres på. Bruk aldri adapter sammen med elektrisk håndverktøy som krever jording.** Ved bruk av originale kontakter og støpsler minskes faren for elektrisk støt.
- b) **Unngå kroppskontakt med jordede gjenstander som rør, ovner, komfyrer og kjøleskap.** Kroppskontakt med disse øker faren for elektrisk støt.
- c) **Elektrisk håndverktøy bør ikke utsettes for regn eller fuktighet.** Hvis det kommer vann inn i et elektrisk håndverktøy, øker faren for elektrisk støt.
- d) **Påse at ikke strømledningen blir skadet. Bær ikke apparatet i strømledningen. Dra heller ikke i strømledningen når du skal ta kontakten ut av strømuttaket. Hold ledningen unna varme, olje, skarpe kanter og bevegelige deler.** Skadede eller deformerte kontakter kan øke faren for elektrisk støt.
- e) **Ved bruk av elektrisk håndverktøy utendørs, skal man benytte en skjoteledning som er beregnet til dette formålet.** Når skjoteledning som er beregnet for utendørs bruk benyttes, minsker faren for elektrisk støt.

### 3) Personlig sikkerhet

- a) **Vær våken og bruk sunn fornuft når du bruker et elektrisk verktøy. Ikke bruk elektriske håndverktøy når du er trøtt eller påvirket av rusmidler, alkohol eller sterke medisiner.** *Når du bruker elektrisk håndverktøy kan et lite øyeblikks uoppmerksomhet resultere i store personskader.*
- b) **Bruk verneutstyr. Benytt alltid vernebriller.** *Bruk av verneutstyr som støvmaske, sklisliske såler på skoene, hjelm og hørselsvern, ved behov, minsker faren for personskade.*
- c) **Unngå uønsket oppstart. Påse at strømbryteren står i posisjon OFF før du kobler til strømmen.** *Det å bære et elektrisk håndverktøy med en finger på avtrekkeren/strømbryteren, eller å koble til strømmen når strømbryteren står i posisjon ON, kan forårsake ulykker.*
- d) **Fjern alle nøkler/serviceverktøy før du starter det elektriske håndverktøyet.** *Et gjenglemt serviceverktøy på en roterende del, kan forårsake personskader.*
- e) **Strek deg ikke for langt. Påse at du står støtt og har god balanse hele tiden.** *Da er du bedre forberedt når uventede situasjoner oppstår.*
- f) **Benytt fornuftige arbeidsklær. Ikke bruk løstsittende klær og smykker. Hold klær, hansker og smykker unna bevegelige deler.** *Løse klær, smykker eller langt hår, kan sette seg fast i bevegelige deler.*
- g) **Hvis det er mulig å koble til en støvsamler/støvsuger, bør dette gjøres.** *Ved bruk av sådanne hjelpemidler, kan en minske faren for støvrelaterte skader og ulykker.*

### 4) Bruk og vedlikehold av det elektriske håndverktøyet

- a) **Ikke press et elektrisk håndverktøy. Bruk elektriske håndverktøy som er beregnet til den arbeidsoperasjonen du skal utføre.** *Riktig hastighet på matingen er viktig for å utføre bedre og sikrere arbeide.*
- b) **Ikke bruk det elektriske håndverktøyet dersom ikke strømbryteren virker og verktøyet kan skrues av.** *Alle elektriske håndverktøy, som ikke kan kontrolleres med en strømbryter, er farlige og må repareres.*
- c) **Dra ut støpselet før du utfører justeringer, bytter tilbehør eller legger det elektriske håndverktøyet fra deg.** *Dette for å unngå at elektrisk håndverktøy får en ukontrollert start.*
- d) **Oppbevar elektrisk håndverktøy utilgjengelig for barn. Påse også at elektrisk håndverktøy er utilgjengelig for personer som ikke har fått tilstrekkelig opplæring på eller er fortrolig med verktøyet.** *Elektrisk håndverktøy kan være farlige dersom de kommer i hendene på ukyndige.*
- e) **Vedlikehold av elektrisk håndverktøy. Kontroller at verktøyet ikke er feilinnstilt, at bevegelige deler ikke beveger seg usymmetrisk, at ingen deler er skadet eller at det elektriske håndverktøyet har andre feil, som kan påvirke dets funksjon. Dersom noe er skadet må dette repareres før verktøyet tas i bruk.** *Mange ulykker skyldes dårlig eller manglende vedlikehold.*
- f) **Hold verktøyene skarpe og rene. Påse også at det elektriske verktøyet holdes skarpt.** *Godt vedlikeholdt skjæreverktøy, med skarpe egger, er lettere å kontrollere.*
- g) **Følg instruksjonen, ta hensyn til arbeidsforholdene og hva slags type arbeid som skal utføres.** *Bruk av elektrisk håndverktøy til andre arbeidsoperasjoner enn det som det er beregnet til, kan skape farlige situasjoner.*



## 5) Bruk og service av det ladbare håndverktøyet

- a) **Lad batteriene kun med lader som er bestemt av produsenten.** *En lader som er beregnet for en type batteri kan forårsake brann når den blir brukt til en annen type batterier.*
- b) **Ladbare håndverktøy må kun brukes med egnede batterier.** *Bruk av annet batteri kan føre til skade eller brann.*
- c) **Når batteriet ikke er i bruk, må det oppbevares på god avstand fra metallgjenstander som; mynter, nøkler, spiker, skruer o.l. som kan lede strøm fra den ene batteripolen til den andre.** *Kortslutting av batteripolene kan forårsake brann eller brannskader.*
- d) **Hvis batteriet vannskjøttes kan syre lekke ut. Unngå kontakt med batterisyre.** **Hvis du ved et uhell skulle komme i kontakt med batterisyre må du straks skylle deg med vann. Dersom syren kommer i kontakt med øynene, må lege oppsøkes.** *Syre fra batteriet kan forårsake irritasjon og brannskader.*

## 6) Service

- a) **La profesjonelle fagfolk utføre service og reparasjoner. Benytt kun originale reservedeler.** *Dette for å opprettholde sikkerheten ved bruk av det elektriske håndverktøyet.*

## Spesielle sikkerhetsforskrifter for gressakser


- Produktet må ikke brukes av personer (inkl. barn) med begrensede fysiske eller mentale ferdigheter. Personer uten tilstrekkelig erfaring og kunnskap kan kun bruke trimmeren hvis de har fått instruksjoner om bruken av noen som har ansvaret for deres sikkerhet.
- Hold alle kroppsdelene unna skjæreverktøyet. Fjern ikke rester av klippet materiale fra trimmeren når knivene er i bevegelse. Ta ut batteriet før materialer som har festet seg skal fjernes. Et øyeblikks uoppmerksomhet ved bruk kan resultere i alvorlige personskader.
- La aldri barn leke med trimmeren.
- Skru av produktet og bær det i håndtaket når den skal flyttes kortere avstander. Ved lengre forflyttinger og transport må trimmeren være avstengt og beskyttelsen på skjæreverktøyet skal være montert.
- Kontroller før bruk at det ikke finnes noen fremmede gjenstander i gresset der du skal klippe.
- Når multitrimmeren stoppes vil den fortsette å bevege seg i noen sekunder.



Ikke berør kniver som er i bevegelse.

## Spesielle sikkerhetsforskrifter for hekksakser

- Produktet må ikke brukes av personer (inkl. barn) med begrensede fysiske eller mentale ferdigheter. Personer uten tilstrekkelig erfaring og kunnskap kan kun bruke hekksaksen hvis de har fått instruksjoner om bruken av noen som har ansvaret for deres sikkerhet.
- Hold alle kroppsdeler unna sverdet. Fjern ikke rester av klippet materiale fra sverdet når knivene er i bevegelse. Ta ut batteriet før kvist som har satt seg fast i hekksaksen skal løsnes og fjernes. Et øyeblikks uoppmerksomhet ved bruk kan fort resultere i alvorlige personskader.
- La aldri barn leke med produktet.
- Skru av hekksaksen og bær den i håndtaket når den skal flyttes på. Ved lengre forflyttinger og transport må hekksaksen være avstengt og beskyttelsen på sverdet skal være montert.
- Kontroller før bruk at det ikke er noen fremmede gjenstander, som f.eks. metalltråder, i hekken/busken som skal klippes.
- Hold alltid i hekksaksen med begge hendene ved bruk.
- Hekksaksens kniver er i bevegelse i noen sekunder etter at produktet er stoppet.

 **Advarsel!** Ikke berør kniver som er i bevegelse.

## Sikkerhetssymboler



Les hele bruksanvisningen.



Elektriske håndverktøy må ikke utsettes for regn.



Vernehjelm, øye- og hørselvern må benyttes.



Hold kroppsdeler unna skjæreverktøyet (sagekjede, hekksaksens sverd etc.) ved start og bruk av verktøyet.



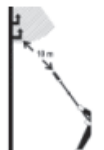
Bruk vernehansker.



**Obs!** Fjern batteriet før stell og vedlikehold av verktøyet.



Bruk vernesko.



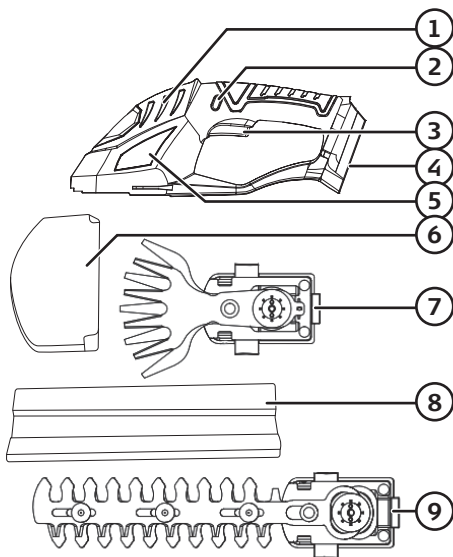
Sikkerhetsavstand fra arbeidsområdet til høyspentkabel må være på 10 meter.



Gjenstander som kastes ut fra gresstrimmeren kan treffe noe og forårsake personskader eller skade på annet. Bruk passende klær og sko.

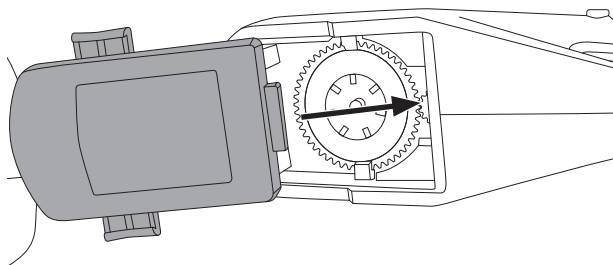
## Produktbeskrivelse

1. Motorens ventilasjonsåpninger
2. Sperre for strømbryter
3. Strømbryter
4. Batteritilkobling/feste for teleskopskaft
5. Motordel
6. Beskyttelse for trimmerens skjæreverktøy
7. Gressaks
8. Sverdbeskyttelse for hekksaks
9. Hekksaks

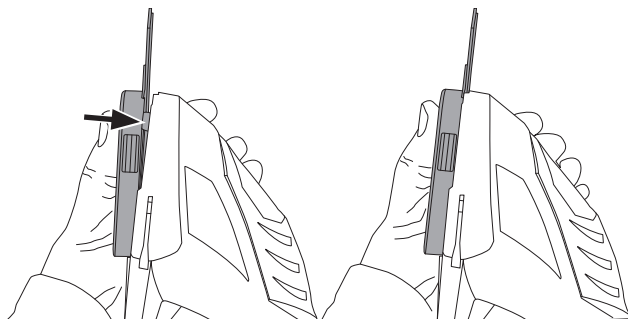


## Montering av gressaks/hekksaks

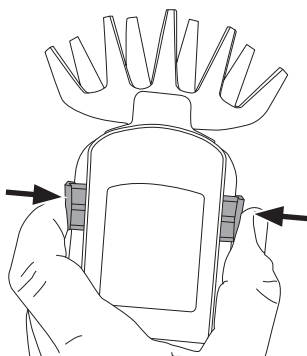
1. Plasser knasten i festet sitt.



2. Trykk fast gressaksen/hekksaksen og pass på at den sitter skikkelig festet.



- Trykk inn sperrene på gressaksen/ hekksaksen for å løsne.



## Overbelastning og beskyttelse

Batteriet er utstyrt med diverse beskyttelser for å unngå skader på multitrimmer og batteriet.

- Ved kortvarig høy belastning kan overbelastningsvernet skru av multitrimmeren. Beskyttelsen stilles tilbake av seg selv. Slipp opp strømbryteren og vent i noen sekunder. Pass på at multitrimmeren ikke er belastet, og start den på nytt. Multitrimmeren skal nå fungere normalt igjen.
- Ved høy belastning over lengre tid kan et overopphetingsvern skru av multitrimmeren. Beskyttelsen stilles seg tilbake selv, men multitrimmeren kan ikke startes før temperaturen har sunket til et sikkert nivå. La multitrimmeren avkjøles før den startes opp igjen. For høye temperaturer kan også oppstå ved direkte sollys. Utsett derfor ikke maskinen for direkte sollys over tid.
- Batteriet har et underspenningsvern som virker inn når batteriet er utladet. Underspenningsvernet skrur av multitrimmeren automatisk og batteriet må lades.

## Bruk

### Advarsel!

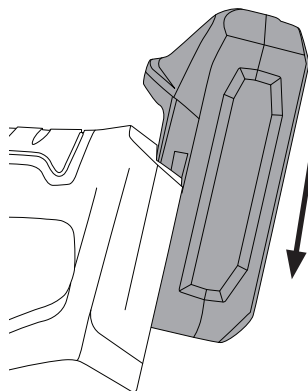
- Sørg for at området du skal jobbe i er slik at du ikke henger deg opp i noe eller snubler.
- Pass på så ikke uønskede gjenstander eller løse eller brekte grener fester seg i hekksaksen/gressaksen.
- Sørg for å bruke nødvendig verneutstyr.
- Pass på at hekksaksen/gressaksen er hel og ikke mangler noen deler eller er skadet.
- Kontroller at sverdets/skjæreverktøyets kniver er skarpe og smurt.
- Påse at motorens ventilasjonsåpninger (1) er fri for forurensning.
- Sperren til startbryteren (2) og startbryteren (3) skal gå lett og ikke sette seg fast eller opptre unormalt.
- Sørg for at håndtakene er rene og gir godt grep.

## Viktige ting å huske når du bruker hekksaksen

- Kontroller at det ikke er fremmede gjenstander (ståltråder, stolper etc.) usynlig inne i det området som skal klippes.
- Maks greintykkelse Ø 8 mm.
- Hold hekksaksen godt og stå stødig. Ikke strekk deg for langt. Vær ekstra forsiktig hvis du må bruke stige.
- Før hekksaksen framover - med sakte og stødige bevegelser i den tenkte klippelinjen.
- Sverdet har kniver på begge sider og klippingen kan skje i begge retningene, med pendlende bevegelser fra side til side.
- For å få jevne sider må også tilveksten som kommer sideveis klippes. Denne tilveksten klippes nedenfra og oppover.
- Hvis klippingen skjer ovenfra og nedover vil de tynne kvistene bøye seg og bli stående igjen, uklippet.
- For å oppnå en jevn kant, kan man spenne opp et snøre som rettesnor.

## Start

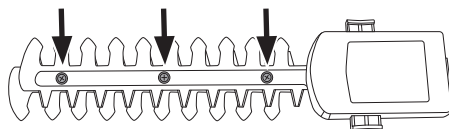
1. Fjern beskyttelsen fra sverdet/skjæreverktøyet.
2. Skyv batteriet inn på plass og påse at det klikker på plass.
3. Skyv sperren til strømbryteren til siden og trykk inn strømbryteren. Hekksaksen/gressaksen starter.
4. Hekksaksen/gressaksen stenges ved at du slipper opp startbryteren.



## Vedlikehold

### ⚠ Advarsel!

- Ta ut batteriet før service og vedlikehold.
- Bruk vernehansker ved vedlikehold og rengjøring av sverd og skjæreverktøy.
- Kontroller regelmessig at sikkerhetssperren til strømbryteren og strømbryteren er uskadet og at de fungerer som de skal.
- Kontroller og smør sverdet og skjæreverktøyet med dertil egnet olje regelmessig og pass på at skruene på sverdet er dratt til.



- Sverdet og knivene oljes med passende olje før lagring, hvis de ikke skal brukes på en stund.
- Rengjør motordelen utvendig med en lett fuktet klut. Bruk et mildt rengjøringsmiddel, aldri løsningsmidler eller etsende kjemikalier.

- Fjern all forurensning, spesielt fra motorens ventilasjonsåpninger.
- Når motordelen og tilbehøret ikke er i bruk skal det lagres tørt, støvfritt og utilgjengelig for barn.
- Batteriet må ikke oppbevares i minusgrader.
- Ha alltid sverdbeskyttelsen/skjæreverktøybeskyttelsen montert når produktet ikke er i bruk.

## Feilsøking

Hekksaksen/gressaksen starter ikke.	Batteriet er utladet eller feil montert. Lad opp batteriet og pass på at det er skjøvet helt inn.
Hekksaksen/gress-trimmeren går sakte og/eller skrur seg av.	<ul style="list-style-type: none"> <li>• Sverdet/skjæreverktøyet er sløv eller skadet. Kontroller sverdet/skjæreverktøyet og skift det ut ved behov.</li> <li>• For hard mating. Reduser matingen.</li> <li>• Batteriet kan være overopphetet.</li> </ul> <p>Se avsnittet <i>Overbelastning og beskyttelse</i>.</p>
Batteriet går fort tomt for strøm.	<ul style="list-style-type: none"> <li>• Batteriet er ikke fulladet. Det kan trenge noen ladesykluser hvor det lades opp 100 % før full kapasitet oppnås.</li> <li>• Batteriet må skiftes ut.</li> </ul>
Batteriet lades ikke.	<ul style="list-style-type: none"> <li>• Batteriet sitter ikke riktig i laderen.</li> <li>• Batteriets eller laderens kontakt er forurenset. Trekk støpselet ut av strømuttaket og rengjør kontaktene.</li> <li>• Støpselet sitter ikke riktig montert i strømuttaket.</li> <li>• Er det strøm i strømuttaket?</li> <li>• Laderen eller laderens kabel er skadet.</li> <li>• Batteriet må skiftes ut.</li> </ul>

## Avfallshåndtering

Symbolet viser til at produktet ikke skal kastes sammen med husholdningsavfallet. Dette gjelder innenfor EØS-området. For å forebygge eventuelle skader på helse og miljø som følge av feil håndtering av avfall, skal produktet leveres til gjenvinning, slik at materialet blir tatt hånd om på en ansvarsfull måte. Benytt miljøstasjonene som er der du befinner deg eller ta kontakt med forhandler. De vil ta hånd om produktet på en miljømessig tilfredsstillende måte.



## Spesifikasjoner

Turtall	1100 o/min (ubelastet)
Sverdlengde hekksaks	180 mm
Grenkapasitet hekkksaks	8 mm
Klippebredde gressaks	100 mm
Vekt hekksaks	0,8 kg (uten batteri)
Vekt gressaks	0,7 kg (uten batteri)
Lyd	LpA = 78,8 dB(A), K = 3 dB(A) LwA = 85 dB(A), K = 3 dB(A)
Vibrasjon	3,05 m/s <sup>2</sup> , K = 1,5 m/s <sup>2</sup>

## Vibrasjon

- Måling av vibrasjonsnivå (vektorsum i tre ledd) og lydverdier som oppgis i denne bruksanvisningen er utført i henhold til målemetode som er standardisert i EN 50636-2-91. Disse verdiene kan brukes til sammenlikning av forskjellige typer elektriske håndverktøy.
- Målemetoden kan også benyttes til foreløpige målinger av vibrasjonsbelastningen.
- Vibrasjonsnivået som er oppgitt gjelder når det elektriske håndverktøyet brukes som beskrevet i bruksanvisningen. Hvis verktøyet skal brukes til andre formål og med annet tilbehør eller ikke er tilstrekkelig vedlikeholdt kan vibrasjonsnivået øke betraktelig.
- For å få en grundig vurdering av vibrasjonsbelastningen bør man også ta i betraktning den tiden håndverktøyet er frakoblet eller er i gang uten å bli brukt. Dette reduserer vibrasjonsbelastningen betydelig for den totale arbeidsperioden. Når man skal vurdere sikkerhetstiltak mot vibrasjonenes påvirkning på operatøren bør det tas hensyn til alle typer bruk av håndverktøyet.




# Puutarhatrimmeri

Tuotenumero 31-9464 Malli ASYPHT04180

Lue käyttöohje ennen tuotteen käyttöönottoa ja säilytä se tulevaa tarvetta varten. Pidätämme oikeuden teknisten tietojen muutoksiin. Emme vastaa mahdollisista teksteistä ja kuvavirheistä. Jos tuotteeseen tulee teknisiä ongelmia, ota yhteys myymälään tai asiakaspalveluun.

## Turvallisuus

### Yleisiä turvallisuusohjeita – Sähkökäyttöinen käsityökalu

 **Varoitus! Lue kaikki ohjeet.** Seuraavien ohjeiden noudattamatta jättäminen saattaa johtaa sähköiskuun, tulipaloon ja/tai vakavaan onnettomuuteen.

#### Säästä nämä ohjeet!

Varoitus tekstien termi ”sähkökäyttöinen käsityökalu” tarkoittaa verkkovirralla tai paristoilla/akulla toimivaa käsityökalua.

#### 1) Työtila

- Pidä työtilat puhtaina ja hyvin valaistuin.** Täynnä tavaraa olevat ja pimeät tilat ovat avoin kutsu onnettomuudelle.
- Älä käytä sähkökäyttöisiä käsityökaluja räjähdysriskissä ympäristössä, kuten helposti syttyvien nesteiden, kaasujen tai pölyn lähellä.** Sähkökäyttöiset käsityökalut muodostavat kipinöitä, jotka saattavat sytyttää pölyn tai höyryt.
- Pidä lapset ja vierailijat loitolla, kun käytät sähkökäyttöisiä käsityökaluja.** Häiriötekijät saattavat johtaa laitteen hallinnan menettämiseen.

#### 2) Sähköturvallisuus

- Sähkökäyttöisen käsityökalun pistokkeen tulee sopia pistorasiaan. Älä muuta tuotetta millään tavalla. Älä käytä adapteria maadoitettujen sähkökäyttöisten sähkötyökalujen kanssa. Pistokkeet, joita ei ole muutettu sekä sopivat pistorasiat pienentävät sähköiskun vaaraa.
- Vältä koskettamasta maadoitettuja esineitä, kuten putkia, lämpöpattereita, hellaa tai jääkaappia. Sähköiskun riski kasvaa, mikäli kehosi on maadoitettu.
- Älä altista sähkökäyttöistä käsityökalua sateelle, äläkä käytä sitä kosteissa olosuhteissa. Veden joutuminen sähkökäyttöiseen käsityökaluun lisää sähköiskun vaaraa.
- Käsittele sähköjohtoa varoen. Älä käytä sähköjohtoa laitteen kantamiseen, äläkä irrota pistoketta pistorasiasta johdosta vetämällä. Älä altista virtajohtoa kuumuudelle, öljyille, teräville reunoille tai liikkuville osille. Vioittuneet tai sotkeutuneet virtajohdot lisäävät sähköiskun vaaraa.
- Kun käytät sähkökäyttöistä käsityökalua ulkona, käytä ainoastaan ulkokäyttöön sopivia jatkojohtoja. Ulkokäyttöön sopivan jatkojohdon käyttäminen pienentää sähköiskun vaaraa.

### 3) Oma turvallisuutesi

- a) **Ole huolellinen ja käytä tervettä järkeä kun työskentelet sähkökäyttöisellä käsityökalulla. Älä käytä sähkökäyttöistä käsityökalua, mikäli olet väsynyt tai huumeiden, lääkkeiden tai alkoholin vaikutuksen alaisena.** Lyhyenkin hetken kestävä tarkkaavaisuuden herpaantuminen saattaa johtaa vakavaan loukkaantumiseen.
- b) **Käytä suojavarusteita. Käytä aina suojalaseja.** Suojavarusteiden, kuten hengityssuojaimen, liiкуuestekenkien, kypärän ja kuulosuojaimien käyttäminen vähentää loukkaantumisvaaraa.
- c) **Vältä tahatonta käynnistystä. Varmista, että virtakytkin on asennossa OFF ennen kuin liität pistokkeen seinäpistorasiaan.** On äärimmäisen vaarallista kantaa sähkökäyttöistä käsityökalua sormi liipaisimella tai liittää sähkökäyttöinen käsityökalu pistorasiaan virtakytkimen ollessa ON-asennossa.
- d) **Poista kaikki huoltotyökalut/avaimet ennen kuin käynnistät sähkökäyttöisen käsityökalun.** Sähkökäyttöisen käsityökalun liikkuvan osan päälle unohdettu työkalu saattaa johtaa onnettomuuteen.
- e) **Älä kurota liian kauas. Varmista, että työasentosi on tasapainoinen työn jokaisessa vaiheessa.** Näin olet paremmin varustautunut mahdollisen onnettomuuden sattuessa.
- f) **Käytä sopivia vaatteita. Älä käytä löysiä vaatteita tai koruja. Pidä hiukset, vaatteet ja käsineet loitolla liikkuvista osista.** Löysät vaatteet, korut tai pitkät hiukset saattavat juuttua liikkuviin osiin.
- g) **Jos käytössäsi on pölynpoistojärjestelmä, käytä sitä.** Näiden apuvälineiden käyttö saattaa vähentää pölyyn liittyviä vaaroja.

### 4) Sähkökäyttöisten käsityökalujen käyttäminen ja huoltaminen

- a) **Älä pakota sähkökäyttöistä käsityökalua. Käytä sähkökäyttöistä käsityökalua, joka soveltuu suunnittelemaasi työtehtävään.** Sopiva sähkökäyttöinen käsityökalu tekee työn paremmin ja turvallisemmin oikealla nopeudella.
- b) **Älä käytä sähkökäyttöistä käsityökalua, mikäli virtakytkin ei käynnistä ja sammuta laitetta.** Kaikki sähkökäyttöiset käsityökalut, joita ei voida hallita virtakytkimellä, ovat vaarallisia ja ne tulee korjata.
- c) **Irrota pistoke pistorasiasta ennen kuin teet sähkökäyttöiseen käsityökaluun säätöjä tai ennen kuin vaihdat sen varusteita tai ennen kuin asetat sen säilytykseen.** Nämä ennaltaehkäisevät toimenpiteet vähentävät sähkökäyttöisen käsityökalun tahatonta käynnistymistä.
- d) **Säilytä sähkökäyttöisiä käsityökaluja lasten ulottumattomissa. Älä luovuta sähkökäyttöistä käsityökalua henkilöille, jotka eivät tunne sitä tai sen käyttöohjetta.** Sähkökäyttöiset käsityökalut ovat vaarallisia tottumattomien käyttäjien käsissä.
- e) **Huolla sähkökäyttöisiä käsityökaluja. Tarkasta, että säädöt ovat kunnossa, että liikkuvat osat liikkuvat esteettä, että osat ovat ehjiä, ja että sähkökäyttöisessä käsityökalussa ei ole muita seikkoja, jotka vaikuttavat laitteen toimintaan.** Jos jokin osa on vioittunut, se tulee korjata ennen käyttöä. Monet onnettomuudet johtuvat väärin hoidetuista sähkökäyttöisistä käsityökaluista.

- f) **Pidä työkalut puhtaina ja terävinä.** *Terätyökalun hallinta on helpompaa, kun se on oikein hoidettu ja sen terät ovat teräviä.*
- g) **Käytä sähkökäyttöistä käsityökalua, sen varusteita tms. ohjeiden mukaisesti ja sellaisella tavalla, joka sopii kyseiselle sähkökäyttöiselle käsityökalulle ja ota myös huomioon työskentelyolosuhteet ja suoritettava työ.** *Sähkökäyttöisen käsityökalun käyttäminen muihin kuin sille tarkoitettuihin työtehtäviin saattaa johtaa vaaratilanteeseen.*

## 5) Ladattavien käsityökalujen käyttäminen ja huoltaminen

- a) **Lataa akku ainoastaan valmistajan hyväksymällä laturilla.** *Tietyntyyppiselle akulle sopiva laturi saattaa aiheuttaa tulipalon, jos sitä käytetään vääräntyyppisen akun lataukseen.*
- b) **Käytä akkukäyttöisessä käsityökalussa vain siihen soveltuvia akkuja.** *Vääräntyyppisten akkujen käyttäminen saattaa johtaa onnettomuuteen tai tulipaloon.*
- c) **Kun akkua ei käytetä, sitä tulee säilyttää poissa metalliesineiden ulottuvilta (esim. paperiliittimet, kolikot, avaimet, naulat tai muut metalliesineet), jotka saattavat muodostaa kontaktin akun napojen väliille.** *Akun napojen oikosulku saattaa aiheuttaa palovammoja tai tulipalon.*
- d) **Vahingoittuneesta akusta saattaa vuotaa akkuhappoa. Vältä kosketusta hapon kanssa. Jos kuitenkin joudut kosketuksiin hapon kanssa, huuhtelee kohta vedellä. Mikäli happoa joutuu silmiin, hakeudu lääkäriin. Akun happo saattaa aiheuttaa ärsytystä ja palovammoja.**

## 6) Huolto

- a) **Laitteen saa huoltaa ja korjata ainoastaan ammattihenkilö ja huollossa tulee käyttää ainoastaan alkuperäisosa.** *Näin taataan sähkökäyttöisen käsityökalun turvallisuus.*

## Ruohotrimmeriä koskevia turvallisuusohjeita


- Laitetta saavat käyttää aikuiset, joilla ei ole fyysisiä tai psyykkisiä rajoitteita. Henkilöt, joilla ei ole riittävästi kokemusta ja taitoja, eivät saa käyttää laitetta ilman heidän turvallisuudestaan vastaavan henkilön antamia ohjeita.
- Pidä kaikki ruumiinosat loitolla terästä. Älä poista leikattua materiaalia äläkä pidä kiinni leikattavasta materiaalista, kun leikkuuosa liikkuu. Irrota akku ennen kuin poistat juuttuneen materiaalin. Tarkkaavaisuuden herpaantuminen hetkeksikin saattaa aiheuttaa vakavia vahinkoja.
- Älä anna lasten leikkiä ruohotrimmerillä.
- Sammuta trimmeri ja kanno sitä kahvasta, kun siirrät sitä. Sammuta trimmeri ja asenna teräsuoja, kun siirrät tai kuljetat laitetta.
- Varmista ennen käyttöä, että leikattavalla alueella ei ole vieraita esineitä.
- Terä liikkuu vielä muutaman sekunnin trimmerin sammuttamisen jälkeen.



Älä koske liikkuvaa terää.

## Pensasleikkuria koskevia turvallisuusohjeita

- Pensasleikkuria saavat käyttää aikuiset, joilla ei ole fyysisiä tai psyykkisiä rajoitteita. Henkilöt, joilla ei ole riittävästi kokemusta ja taitoja, eivät saa käyttää laitetta ilman heidän turvallisuudesta vastaavan henkilön antamia ohjeita.
- Pidä kaikki ruumiinosat loitolla terästä. Älä poista leikattua materiaalia äläkä pidä kiinni leikattavasta materiaalista, kun terä liikkuu. Irrota akku ennen kuin poistat juuttunutta materiaalia. Tarkkaavaisuuden herpaantuminen hetkeksikin saattaa aiheuttaa vakavan loukkaantumisen.
- Älä anna lasten leikkiä pensasleikkurilla.
- Sammuta pensasleikkuri ja pidä kiinni pensasleikkurin kahvasta, kun siirrä pensasleikkuria lyhyempiä matkoja. Sammuta pensasleikkuri ja laita teräsuoja paikalleen pidempien siirtojen ja kuljetuksen aikana.
- Varmista ennen työskentelyä, että leikattavalla alueella ei ole vieraita esineitä, kuten piikkilankaa.
- Pidä pensasleikkurista kiinni tukevasti molemmin käsin käytön aikana.
- Terät liikkuvat vielä muutaman sekunnin ajan pensasleikkurin sammuttamisen jälkeen.

 **Varoitus!** Älä koske liikkuvia teriä.

## Turvallisuussymbolit



Lue koko käyttöohje.



Älä altista sähkökäyttöistä käsityökalua sateelle.



Käytä suojakypärää, suojalaseja ja kuulosuojaimia.



Pidä kaikki ruumiinosat loitolla leikkaavista osista (teräketju, pensasleikkurin terä) sähkökäyttöisen käsityökalun käynnistyksen ja käytön aikana.



Käytä suojakäsineitä.



**Huom.!** Poista akku ennen sähkökäyttöisen käsityökalun huoltoa.



Käytä suojakenkiä.



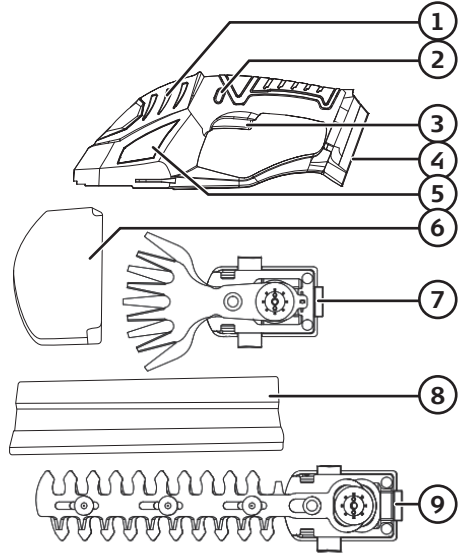
Korkeajännitekaapeleihin tulee olla vähintään 10 metrin turvaetäisyys.



Ruohotrimmeristä lentävät esineet saattavat singota ja johtaa henkilövahinkoihin tai omaisuuden vahingoittumiseen. Käytä sopivia vaatteita ja kenkiä.

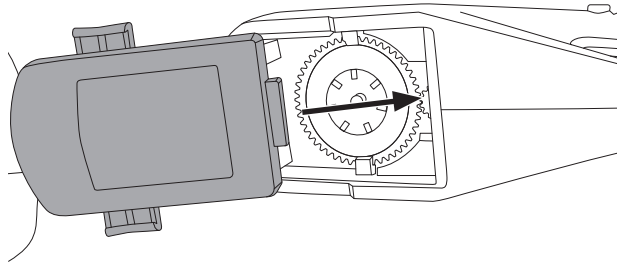
## Tuotekuvaus

1. Moottorin ilma-aukot
2. Virtakytkimen lukitsin
3. Virtakytkin
4. Akun liitäntä/teleskooppivarren kiinnitys
5. Moottoriosia
6. Ruohotrimmerin teräsuoja
7. Ruohotrimmeri
8. Pensasleikkurin teräsuoja
9. Pensasleikkuri

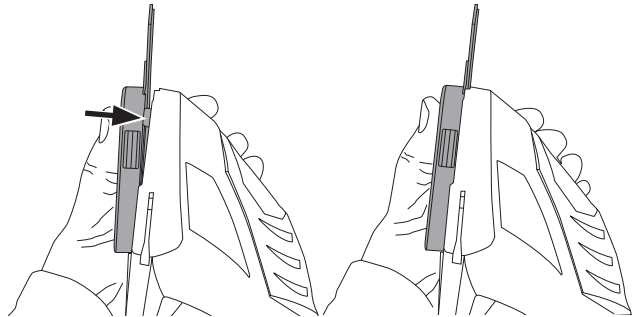


## Ruohotrimmerin/pensasleikkurin asentaminen

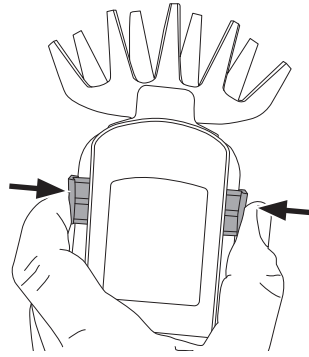
1. Aseta kieleke kiinnikkeeseen.



2. Paina ruohotrimmeri/pensasleikkuri kiinni ja varmista, että se on kunnolla kiinni.



3. Irrota painamalla ruohotrimmerin/  
pensasleikkurin lukitsimia.



## Ylikuormitus ja suojaus

Akussa on erilaisia suoja-toimintoja koneen ja akun suojaamiseksi.

- Ylikuormitussuoja sammuttaa laitteen lyhytaikaisen ylikuormituksen sattuessa. Suoja palautuu automaattisesti. Päästä virtakytkin ja odota muutaman sekunnin ajan. Varmista, että laitetta ei ole kuormitettu, ja käynnistä se uudelleen. Laitteen pitäisi nyt toimia normaalisti.
- Ylikuumenemissuoja sammuttaa laitteen pitkäaikaisen ylikuormituksen sattuessa. Ylikuumenemissuoja palautuu automaattisesti, mutta laitteen voi käynnistää vasta, kun sen lämpötila on laskenut riittävästi. Anna laitteen/akun jäähtyä, ennen kuin yrität käynnistää laitteen. Myös suora auringonvalo saattaa aiheuttaa koneen ylikuumenemisen. Vältä suoraa auringonvaloa.
- Akussa on alijännitesuojaus, mikä sammuttaa koneen, jos akku tyhjenee. Alijännitesuoja sammuttaa laitteen automaattisesti, minkä jälkeen akku pitää ladata

## Käyttö

### Varoitus!

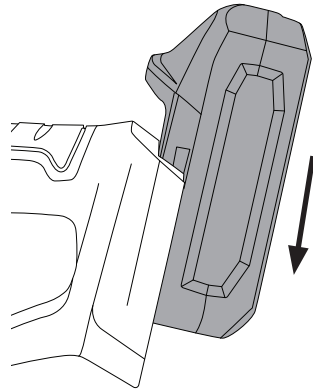
- Poista työskentelyalueelta kaikki ylimääräinen, jotta alueella on helppo liikkua ja kompastumisvaara pienenee.
- Varmista, että roikkuvat tai katkenneet oksat eivät pääse takertumaan ruohotrimmeriin/pensasleikkuriin.
- Varmista, että sinulla on kaikki tarvittavat suojavarusteet.
- Varmista, että ruohotrimmeri/pensasleikkuri on ehjä, että siitä ei puutu osia ja että osat eivät ole millään tavoin vioittuneita.
- Varmista että terät ovat terävät ja voidellut.
- Varmista, että moottorin ilma-aukoissa (1) ei ole roskaa.
- Virtakytkinten (2) ja (3) lukitusten tulee liikkua kevyesti; ne eivät saa juuttua tai toimia muuten epätavallisesti.
- Varmista, että kahvat ovat puhtaat ja niistä saa hyvän otteen.

## Ota huomioon seuraavat seikat, kun käytät pensasleikkuria

- Varmista, että leikattavalla alueella ei ole vieraita esineitä, kuten rautalankaa tai metallitoppia.
- Leikattavan oksan suurin paksuus 8 mm.
- Pidä kunnolla kiinni pensasleikkurista, seiso vakaasti äläkä kurota liian kauas. Ole erityisen varovainen jos käytät tikkaita.
- Liikuta pensasleikkuria eteenpäin hitaasti ja rauhallisesti leikkauslinjan suuntaisesti.
- Kaksipuolisella terällä voi leikata molempiin suuntiin sekä heiluriliikkeellä puolelta toiselle.
- Pensaiden sivut kannattaa leikata alhaalta ylöspäin, jolloin saadaan paras leikkuujälki.
- Jos pensaansivua leikataan ylhäältä alaspäin, ohuet oksat taipuvat ulospäin, mikä saattaa johtaa epätasaiseen leikkuujälkeen.
- Pensasaidan yläosan päälle voi virittää narun, joka helpottaa pensasaidan yläosan tasaista leikkaamista.

## Käynnistäminen

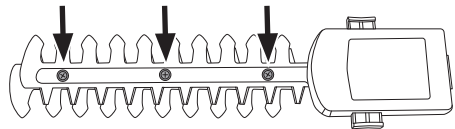
1. Poista teräsuoja.
2. Työnnä akku akkuliitintään (4) ja varmista, että se lukittuu kunnolla.
3. Työnnä virtakytkimen lukitus sivuun ja paina virtakytkintä. Pensasleikkuri/ruohotrimmeri käynnistyy.
4. Pensasleikkuri/ruohotrimmeri sammuu, kun päästät virtakytkimen.



## Huolto ja puhdistaminen

### ⚠ Varoitus!

- Irrota akku ennen huoltoa ja puhdistamista.
- Käytä suojakäsineitä, kun puhdistat tai käsittelet terää.
- Varmista säännöllisesti, että virtakytkimen lukitsin ja virtakytkin ovat kunnossa ja toimivat normaalisti.
- Tarkista terän ja terälevyn kunto ja öljyä terä ja terälevy sopivalla öljyllä säännöllisesti, ja varmista, että terälevyn ruuvit on kiristetty.
- Öljyä terä sopivalla öljyllä, jos laite on pitkään käyttämättä.
- Puhdista moottoriosan ulkopinta kevyesti kostutetulla liinalla. Käytä mietoa puhdistusainetta. Älä käytä liuottimia tai syövyttäviä kemikaaleja.



- Poista kaikki epäpuhtaudet, etenkin moottorin ilma-aukoista.
- Jos laite on pitkään käyttämättä, säilytä moottoriosaa ja kaikkia tarvikkeita kuivassa ja pölyttömässä paikassa lasten ulottumattomissa.
- Älä säilytä akkua tiloissa, joissa lämpötila laskee nollan alapuolelle.
- Pidä teräsuojia aina paikallaan, kun et käytä laitetta.

## Vianhakutaulukko

Pensasleikkuri/ruohotrimmeri ei käynnisty.	Akku on tyhjä tai se on asennettu väärin. Lataa akku ja varmista, että se on kunnolla paikoillaan.
Pensasleikkuri/ruohotrimmeri käy hitaasti ja/tai sammuu.	<ul style="list-style-type: none"> <li>• Terälevy/terä on tylsä tai vioittunut.</li> <li>• Tarkista terälevy/terä ja vaihda tarvittaessa.</li> <li>• Konetta painetaan liian kovaa.</li> <li>• Älä pakota konetta.</li> <li>• Akku voi olla ylikuumentunut.</li> <li>• Katso kappale <i>Ylikuormitus ja suojaus</i>.</li> </ul>
Akku ei kestä pitkään.	<ul style="list-style-type: none"> <li>• Akkua ei ole ladattu täyteen.</li> <li>• Voi olla, että akkua pitää ladata muutaman kerran, ennen kuin se saavuttaa täyden kapasiteetin.</li> <li>• Vaihda akku.</li> </ul>
Akku ei lataudu.	<ul style="list-style-type: none"> <li>• Akku ei ole oikein paikallaan laturissa.</li> <li>• Akun tai laturin kontaktipinnat ovat liikkeeseen.</li> <li>• Irrota laturin pistoke pistorasiasta ja puhdista kontaktipinnat.</li> <li>• Pistoke ei ole kunnolla pistorasiassa.</li> <li>• Onko pistorasiassa virtaa?</li> <li>• Laturi tai sen johto on vahingoittunut.</li> <li>• Vaihda akku.</li> </ul>

## Kierrättäminen

Tämä kuvake tarkoittaa, että tuotetta ei saa hävittää kotitalousjätteen seassa. Tämä koskee koko EU-aluetta. Virheellisestä hävittämisestä johtuvien mahdollisten ympäristö- ja terveyshaittojen ehkäisemiseksi tuote tulee viedä kierrätettäväksi, jotta materiaali voidaan käsitellä vastuullisella tavalla. Kierrätä tuote käyttämällä paikallisia kierrätysjärjestelmiä tai ota yhteys ostopaikkaan. Ostopaikassa tuote kierrätetään vastuullisella tavalla.





## Tekniset tiedot

Kuormittamaton kierrosluku	1100 kierr./min
Terälevyn pituus pensasleikkuri	180 mm
Oksan paksuus pensasleikkuri	8 mm
Leikkuuleveys ruohotrimmeri	100 mm
Paino pensasleikkuri	0,8 kg (ilman akkua).
Paino ruohotrimmeri	0,7 kg (ilman akkua).
Melutaso	LpA = 78,8 dB(A), K = 3 dB(A) LwA = 85 dB(A), K = 3 dB(A)
Tärinäarvo	3,05 m/s <sup>2</sup> , K = 1,5 m/s <sup>2</sup>

## Tärinä

- Tässä käyttöohjeessa ilmoitettu tärinäarvo (kolmen suunnan vektorisumma) ja meluarvot on mitattu EN 50636-2-91 -standardisoidulla mittaustavalla, ja arvot ovat verrattavissa muihin sähkökäyttöisiin käsityökaluihin.
- Mittaustapa soveltuu myös tärinäkuormituksen alustavaan arviointiin.
- Ilmoitettu tärinäarvo toteutuu, kun sähkökäyttöistä käsityökalua käytetään käyttöohjeessa kuvatulla tavalla. Jos sähkökäyttöistä käsityökalua käytetään muihin tarkoituksiin ja muilla tarvikkeilla tai jos sitä ei ole huollettu kunnolla, käytön aikainen tärinäarvo saattaa kasvaa huomattavasti.
- Tarkan tärinäkuormituksen arvioimiseksi pitää huomioida ajat, jolloin sähkökäyttöinen käsityökalu ei ole kytkettynä tai kun se on käynnissä ilman, että sitä käytetään. Tämä vähentää huomattavasti koko työskentelyjakson tärinäkuormitusta. Päätä turvallisuustoimenpiteet suojataksesi käyttäjää tärinän vaikutukselta kaikissa käyttötarkoituksissa.

# Multitrimmer

Art.Nr. 31-9464      Modell ASYPHT04180

Vor Inbetriebnahme die komplette Bedienungsanleitung durchlesen und aufbewahren. Irrtümer, Abweichungen und Änderungen behalten wir uns vor. Bei technischen Problemen oder anderen Fragen freut sich unser Kundenservice über eine Kontaktaufnahme.

## Sicherheit

### Allgemeine Sicherheitsvorschriften – elektrische Handwerkzeuge



**Achtung: Alle Anweisungen sorgfältig lesen.** Wenn die nachstehenden Anweisungen nicht eingehalten werden, kann es zu Stromschlägen, Bränden und/oder ernststen Verletzungen kommen.

#### Diese Anleitung aufbewahren.

Der Begriff „Elektrohandwerkzeug“ im nachstehenden Warntext bezieht sich auf Handwerkzeuge, die an das Stromnetz angeschlossen sind oder mit Akkus betrieben werden.

### 1) Arbeitsumgebung

- a) **Die Arbeitsumgebung sauber und gut beleuchtet halten.** Unordentliche und dunkle Umgebungen können zu Unfällen führen.
- b) **Kein Elektrohandwerkzeug in explosiven Umfeldern einsetzen, etwa in der Nähe leicht entflammbarer Flüssigkeiten, Gase oder Staub.** Ein Elektrohandwerkzeug erzeugt Funken, die Staub oder Dämpfe entzünden können.
- c) **Kinder und Unbefugte fernhalten, wenn mit Elektrohandwerkzeug gearbeitet wird.** Durch Störungen von außen kann man die Konzentration auf die Arbeit verlieren.

### 2) Elektrische Sicherheit

- a) **Der Stecker des Elektrohandwerkzeugs muss in die Steckdose passen. Der Stecker darf niemals irgendwie verändert werden. Adapter dürfen nie zusammen mit geerdeten Elektrohandwerkzeugen verwendet werden.** Unveränderte Stecker und passende Steckdosen verringern die Gefahr von Elektroschlägen.
- b) **Körperkontakt mit geerdeten Gegenständen wie Rohren, Heizkörpern, Küchenherden oder Kühlschränken vermeiden.** Wenn der Körper geerdet ist, besteht ein höheres Risiko, einen elektrischen Schlag zu erhalten.
- c) **Das Elektrohandwerkzeug nicht Regen oder sonstigen feuchten Bedingungen aussetzen.** Wenn Wasser in ein Elektrohandwerkzeug eindringt, erhöht sich die Gefahr elektrischer Schläge.
- d) **Sorgsam mit dem Netzkabel umgehen. Das Netzkabel nie zum Ziehen oder Tragen des Elektrohandwerkzeugs oder zum Herausziehen des Steckers aus der Steckdose verwenden. Das Kabel von Wärme, Öl, scharfen Kanten und beweglichen Teilen fernhalten.** Beschädigte oder verformte Netzkabel erhöhen die Gefahr von elektrischen Schlägen.

- e) **Beim Einsatz von Elektrohandwerkzeug im Freien ein Verlängerungskabel verwenden, das für diesen Einsatzbereich vorgesehen ist.** *Die Verwendung eines Verlängerungskabels für den Einsatz im Freien senkt die Gefahr von elektrischen Schlägen.*

### 3) *Persönliche Sicherheit*

- a) **Bei der Benutzung von Elektrowerkzeugen vorsichtig sein und auf den gesunden Menschenverstand hören. Die Bedienung von Elektrowerkzeugen bei Müdigkeit und/oder Einfluss von Drogen, Alkohol oder Medizin ist untersagt.** *Ein kurzer Moment der Unachtsamkeit kann zu schweren Sach- und Personenschäden führen.*
- b) **Persönliche Schutzausrüstung benutzen. Immer einen Augenschutz tragen.** *Die Benutzung von persönlicher Schutzausrüstung, wie Atemschutz, Sicherheitsschuhe, Helm und Gehörschutz verkleinert bei Bedarf das Verletzungsrisiko.*
- c) **Ungewolltes Starten vermeiden. Sicherstellen, dass der Stromschalter in der Position OFF ist, bevor der Netzstecker angeschlossen wird.** *Das Tragen von Elektrowerkzeugen mit einem Finger auf dem Schalter oder der Anschluss von Elektrowerkzeugen an die Netzspannung, während der Schalter in der Position ON ist, birgt ein erhöhtes Unfallrisiko.*
- d) **Vor dem Einschalten des Elektrowerkzeugs alle Servicewerkzeuge/Schlüssel entfernen.** *Ein vergessenes Servicewerkzeug an einem rotierenden Teil von Elektrowerkzeugen kann zu Personenschäden führen.*
- e) **Stabile und bequeme Arbeitsposition einnehmen. Immer eine gute Balance sicherstellen.** *Dies hilft bei unvorhergesehenen Situationen.*
- f) **Geeignete Arbeitskleidung tragen. Keine losen Kleider oder Schmuck tragen. Haare, Kleidung und Handschuhe von beweglichen Teilen fernhalten.** *Lose Kleidung, Schmuck oder lange Haare können sich in beweglichen Teilen verfangen.*
- g) **Ist Ausrüstung zum Absaugen und Aufsammeln von Staub zugänglich, sollte diese angeschlossen und benutzt werden.** *Das Benutzen dieser Ausrüstung minimiert staubabhängige Gefahren.*

### 4) *Benutzung und Wartung des Elektrohandwerkzeugs*

- a) **Elektrowerkzeuge nie überbeanspruchen. Elektrowerkzeuge nur für die dafür vorgesehene Arbeit benutzen.** *Das richtige Elektrowerkzeug sorgt für mehr Sicherheit und ein besseres Resultat.*
- b) **Niemals ein Elektrowerkzeug benutzen, wenn der Stromschalter das Gerät nicht ein-/ausschaltet.** *Elektrowerkzeuge, die nicht über den Schalter bedient werden können, stellen eine Gefahr dar und müssen repariert werden.*
- c) **Zum Ändern der Einstellungen, Austausch von Werkzeugteilen und bei Nichtbenutzung stets den Netzstecker ziehen.** *Diese Vorsichtsmaßnahme verkleinert das Risiko für einen unabsichtlichen Start.*
- d) **Elektrowerkzeuge bei Nichtbenutzung außer Reichweite von Kindern aufbewahren. Personen, die nicht mit der Bedienung vertraut sind, das Elektrowerkzeug nicht benutzen lassen.** *Elektrowerkzeuge können bei Nichtbeachtung eine große Gefahr darstellen.*

- e) **Elektrowerkzeuge warten.** Regelmäßig überprüfen, ob etwas falsch eingestellt ist, ob bewegliche Teile klemmen, etwas kaputt gegangen ist oder etwas anderes die fehlerfreie Funktion behindert. Wenn etwas kaputt ist, muss es vor Inbetriebnahme repariert werden. *Viele Unglücke werden durch mangelnde Wartung verursacht.*
- f) **Werkzeuge sind sauber und scharf zu halten.** *Ordentlich gewartete Werkzeuge neigen weniger zu Fehlfunktionen und sind einfacher zu handhaben.*
- g) **Elektrowerkzeuge, Zubehör usw. nur der Beschreibung entsprechend und für den vorgesehenen Verwendungszweck handhaben.** Dabei immer die aktuellen Arbeitsbedingungen berücksichtigen. *Bei Zweckentfremdung können Sach- und Personenschäden entstehen.*

## 5) Bedienung und Service des wiederaufladbaren Elektrowerkzeugs

- a) **Den Akku nur mit einem vom Hersteller empfohlenen Ladegerät laden.** *Ein Ladegerät, das für einen Akkutyp passt, kann eine Brandgefahr ausmachen, wenn es für einen anderen Akkutyp verwendet wird.*
- b) **Akkuwerkzeuge nur mit den dafür vorgesehenen Akkus verwenden.** *Die Verwendung eines anderen Akkus kann Schäden und Feuergefahr verursachen.*
- c) **Bei der Aufbewahrung eines nicht benutzten Akkus auf ausreichenden Abstand zu Gegenständen wie Klammern, Münzen, Schlüsseln, Nägeln, Schrauben oder anderen kleinen metallischen Gegenständen achten, die einen Kontakt zwischen den Akkupolen herstellen könnten.** *Ein Kurzschluss der Akkupole kann Verätzungen oder Brände verursachen.*
- d) **Bei unsachgemäßer Behandlung des Akkus kann Säure austreten. Kontakt mit Säure vermeiden. Bei versehentlichem Kontakt mit Säure mit Wasser abspülen. Wenn Säure in die Augen gerät, ist ein Arzt aufzusuchen.** *Säure aus Akkus kann zu Reizungen und Verätzungen führen.*

## 6) Service

- a) **Reparaturen sind nur von qualifizierten Servicetechnikern und mit Originalzubehör durchzuführen.** *Dies gewährleistet die Sicherheit von Elektrowerkzeugen.*

## Besondere Sicherheitshinweise für Grasscheren

- Das Gerät ist nicht für Personen (einschließlich Kindern) mit eingeschränkten physischen oder geistigen Fähigkeiten geeignet. Personen mit mangelnder Erfahrung/mangelnden Kenntnissen dürfen das Produkt nur benutzen, wenn sie von einer für ihre Sicherheit verantwortliche Person in die sichere Handhabung des Geräts eingeführt worden sind.
- Alle Körperteile vom Schneidwerkzeug fernhalten. Niemals das Schnittgut entfernen oder die Zweige festhalten, die abgeschnitten werden sollen, wenn das Schneidwerkzeug in Bewegung ist. Den Akku entfernen, bevor hängen gebliebenes Schnittgut entfernt wird. Schon ein unachtsamer Augenblick kann schwere Verletzungen nach sich ziehen.
- Kein Kinderspielzeug.
- Bei kurzen Positions- und Standortwechseln das Gerät ausschalten und am Griff tragen. Bei längerem Standortwechsel oder Transport das Gerät ausschalten und den Klingenschutz montieren.
- Vor der Inbetriebnahme sicherstellen, dass sich keine Fremdkörper im Gras befinden.
- Nach dem Ausschalten bewegt sich die Klinge noch einige Sekunden weiter.



Die Klinge nicht anfassen, so lange sie sich bewegt.

## Besondere Sicherheitshinweise für Heckenscheren

- Das Gerät nicht von Personen (und Kindern) mit eingeschränkter körperlicher oder geistiger Leistungsfähigkeit verwenden lassen. Personen mit mangelnder Erfahrung/mangelnden Kenntnissen dürfen das Produkt nur benutzen, wenn sie von einer für ihre Sicherheit verantwortliche Person in die sichere Handhabung des Geräts eingeführt worden sind.
- Alle Körperteile vom Schwert fernhalten. Niemals das Schnittgut entfernen oder die Zweige festhalten, die abgeschnitten werden sollen, wenn das Schwert in Bewegung ist. Den Akku entfernen, bevor Schnittgut vom Schwert entfernt wird. Schon ein unachtsamer Augenblick kann schwere Verletzungen nach sich ziehen.
- Kein Kinderspielzeug.
- Bei kurzen Positions- und Standortwechseln das Gerät ausschalten und am Griff tragen. Bei einem längeren Transport das Produkt ausschalten und den Schwertschutz montieren.
- Vor der Inbetriebnahme sicherstellen, dass sich keine Fremdkörper wie z. B. ein Maschendrahtzaun in der Hecke/dem Gebüsch befinden, die/das geschnitten werden soll.
- Die Heckenschere beim Schneiden immer mit beiden Händen halten.
- Nach Ausschalten der Heckenschere bewegen sich die Messer im Schwert noch einige Sekunden weiter.



**Achtung:** Die Messer nicht anfassen, so lange sie sich bewegen.

## Sicherheitssymbole



Die Bedienungsanleitung vollständig durchlesen.



Das elektrische Handwerkzeug nicht Regen aussetzen.



Schutzhelm, Augen- und Gehörschutz benutzen.



Alle Körperteile während dem Start und der Benutzung von den Schneidwerkzeugen (Sägekette, Schwert) entfernt halten.



Schutzhandschuhe benutzen.



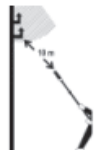
**Hinweis:** Vor Service- oder Wartungsarbeiten den Akku aus dem Gerät entfernen.



Sicherheitsschuhe benutzen.



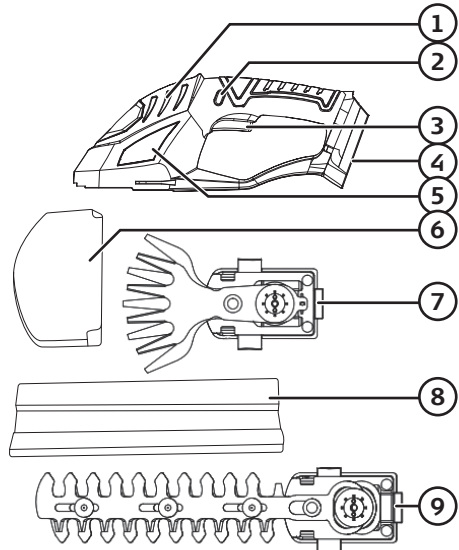
Gegenstände, die vom Rasentrimmer weggeschleudert werden, können Verletzungen oder Sachschäden verursachen. Geeignete Kleidung und Schuhe verwenden.



Zu Hochspannungsleitungen muss ein Sicherheitsabstand von 10 m eingehalten werden.

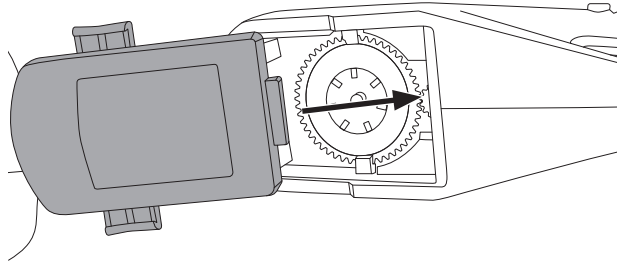
## Produktbeschreibung

1. Belüftungsöffnungen des Motors
2. Arretierung für den Stromschalter
3. Stromschalter
4. Akkuanschluss/Halterung für den Teleskopstiel
5. Motoreinheit
6. Schutzvorrichtung für die Klinge der Grasschere
7. Grasschere
8. Schwertschutz für die Heckenschere
9. Heckenschere

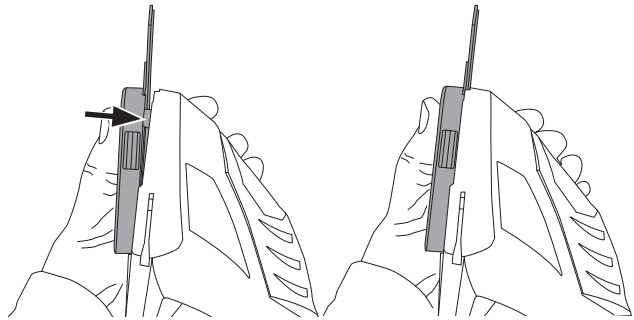


# Montage der Grasschere/Heckenschere

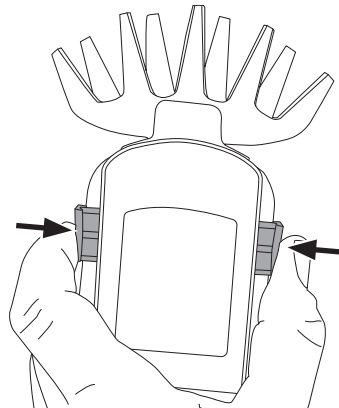
1. Den Zapfen in seine Halterung stecken.



2. Die Grasschere/ Heckenschere festdrücken und sicherstellen, dass sie stabil sitzt.



3. Die Sperren an der Grasschere/ Heckenschere eindrücken, um sie zu lösen.



# Überlastung und Schutzvorrichtungen

Der Akku ist mit einer Reihe von Schutzvorrichtungen ausgestattet, um Schäden am Akku und Gerät zu verhindern.

- Bei kurzzeitiger Überbelastung kann der Überlastungsschutz das Gerät bzw. den Akku abschalten. Die Schutzvorrichtung stellt sich selber in die Ausgangsstellung zurück. Den Schalter loslassen und ein paar Sekunden warten, während das Gerät belastungsfrei ist, dann neu starten. Das Gerät sollte nun wieder normal funktionieren.
- Bei längerer Überbelastung kann der Überhitzungsschutz das Gerät bzw. den Akku abschalten. Der Überhitzungsschutz ist selbstrückstellend, aber das Gerät kann erst wieder gestartet werden, wenn es abgekühlt ist. Vor einem erneuten Startversuch muss sich das Gerät bzw. der Akku abkühlen können. Schädliche Temperaturen können auch durch direkte Sonneneinstrahlung entstehen, die zu vermeiden ist.
- Der Akku hat einen Unterspannungsschutz, der ausgelöst wird, wenn der Akku entladen ist. Der Unterspannungsschutz schaltet dann automatisch das Gerät ab und der Akku muss geladen werden.

## Bedienung

### **Achtung:**

- Stets für Ordnung im Arbeitsbereich sorgen, um ein freies Bewegen zu ermöglichen und ein Hängenbleiben oder Stolpern zu vermeiden.
- Sicherstellen, dass sich keine Fremdkörper, lose hängenden oder abgebrochenen Zweige im Gerät verfangen können.
- Sicherstellen, dass alle benötigte Schutzausrüstung benutzt wird.
- Sicherstellen, dass das Gerät intakt ist und keine Teile fehlen oder eine anderweitige Beschädigung vorliegt.
- Sicherstellen, dass die Schneiden des Schwerts/der Klinge geschliffen und geölt sind.
- Die Lüftungsöffnungen der Maschine (1) frei von Verunreinigungen halten.
- Die Schaltersperre (2) und der Schalter (3) sind leichtgängig, bleiben nicht hängen und funktionieren fehlerfrei.
- Griff und Stiel sind sauber und griffig.

## Wissenswertes für die Benutzung der Heckenschere

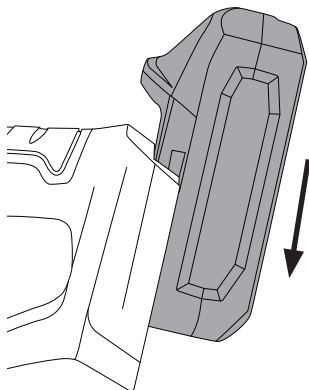
- Sicherstellen, dass sich in dem Bereich, der geschnitten werden soll, keine Fremdkörper (Metalldrähte/Zaunpfähle) befinden.
- Max. Aststärke  $\varnothing$  8 mm.
- Die Heckenschere gut festhalten und festen Halt suchen, nicht zu weit nach vorne beugen. Beim Arbeiten auf einer Leiter besonders vorsichtig vorgehen.
- Die Heckenschere langsam und vorsichtig nach vorne entlang der gedachten Schnittlinie führen.
- Mit dem doppelseitigen Schwert kann in beide Richtungen geschnitten werden bzw. mit einer pendelnden Bewegung von Seite zu Seite.
- Für einen gleichmäßigen Schnitt an den Seiten wird empfohlen, in Wachsrichtung von unten nach oben zu schneiden.



- Beim Schneiden von oben nach unten beugen sich die dünneren Zweige nach außen, was dazu führen kann, dass dünne Stellen oder Löcher in der Hecke entstehen.
- Für eine gleichmäßige Oberkante kann als Richtschnur ein Seil über die Hecke gespannt werden.

## Start

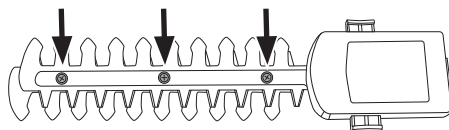
1. Den Schwertschutz/Klingenschutz abnehmen.
2. Den Akku in den Akkuanschluss (4) schieben und ordentlich einrasten lassen.
3. Die Schaltersperre zur Seite schieben und den Schalter herunterdrücken. Das Gerät startet.
4. Das Gerät wird ausgeschaltet, wenn der Startschalter losgelassen wird.



## Pflege und Wartung

### ⚠ Achtung:

- Vor Service- und Wartungsarbeiten den Akku entnehmen.
- Beim Reinigen und Handhaben von Schwert und Klinge Schnittschutzhandschuhe tragen.
- Regelmäßig überprüfen, ob Schaltersperre und Schalter unbeschädigt und funktionstüchtig sind.
- Das Schwert und die Klinge regelmäßig überprüfen, mit einem geeigneten Öl schmieren und sicherstellen, dass die Schrauben fest sitzen.
- Bei längerer Nichtbenutzung das Schwert und die Klinge mit Öl schmieren.
- Den Motorteil außen mit einem leicht befeuchteten Tuch reinigen. Ein sanftes Reinigungsmittel verwenden, keine scharfen Chemikalien oder Reinigungslösungen.
- Sämtlichen Schmutz entfernen, vor allem an den Belüftungsöffnungen des Motors.
- Die Motoreinheit und sämtliches Zubehör bei längerer Nichtbenutzung trocken und staubfrei, außer Reichweite von Kindern aufbewahren.
- Den Akku nicht bei Minusgraden lagern.
- Bei Nichtbenutzung immer den Schwertschutz/Klingenschutz aufsetzen.



## Fehlersuche

Das Gerät startet nicht.	Der Akku ist entladen oder falsch eingelegt. Den Akku laden und sicherstellen, dass er korrekt im Akkuanschluss sitzt.
Das Gerät läuft langsam und/oder schaltet aus.	<ul style="list-style-type: none"> <li>• Das Schwert/die Klinge ist stumpf oder beschädigt. Schwert/Klinge überprüfen und bei Bedarf austauschen.</li> <li>• Zu starker Vorschub. Weniger Druck benutzen.</li> <li>• Der Akku ist möglicherweise überhitzt. Siehe Abschnitt <i>Überlastung und Schutzvorrichtungen</i>.</li> </ul>
Schlechte Akkulaufzeit.	<ul style="list-style-type: none"> <li>• Der Akku ist nicht vollständig geladen. Es kann sein, dass mehrere Ladezyklen zu 100 % nötig sind, bevor die volle Leistung erreicht wird.</li> <li>• Der Akku muss ausgetauscht werden.</li> </ul>
Der Akku wird nicht geladen.	<ul style="list-style-type: none"> <li>• Der Akku ist nicht ordnungsgemäß im Ladegerät eingesetzt.</li> <li>• Die Kontakte von Akku und Ladegerät sind verschmutzt. Den Stecker des Ladegerätes abziehen und die Kontakte reinigen.</li> <li>• Der Stecker ist nicht ordnungsgemäß an die Steckdose angeschlossen.</li> <li>• Sicherstellen, dass Spannung auf der Steckdose liegt.</li> <li>• Das Ladegerät oder das Netzkabel ist beschädigt.</li> <li>• Der Akku muss ausgetauscht werden.</li> </ul>

## Hinweise zur Entsorgung

Dieses Symbol zeigt an, dass das Produkt nicht gemeinsam mit dem Haushaltsabfall entsorgt werden darf. Dies gilt in der gesamten EU. Um möglichen Schäden für die Umwelt und Gesundheit vorzubeugen, die durch fehlerhafte Abfallentsorgung verursacht werden, dieses Produkt zum verantwortlichen Recycling geben, um die nachhaltige Wiederverwertung von stofflichen Ressourcen zu fördern. Bei der Abgabe des Produktes bitte die vorhandenen Recycling- und Sammelstationen benutzen oder den Händler kontaktieren. Dieser kann das Produkt auf eine umweltfreundliche Weise recyceln.



# Technische Daten

<b>Drehzahl</b>	1100 /min (unbelastet)
<b>Schwertlänge Heckenschere</b>	180 mm
<b>Schnittstärke Heckenschere</b>	8 mm
<b>Schnittbreite Grasschere</b>	100 mm
<b>Gewicht Heckenschere</b>	0,8 kg (ohne Akku)
<b>Gewicht Grasschere</b>	0,7 kg (ohne Akku)
<b>Schallpegel</b>	LpA = 78,8 dB(A), K = 3 dB(A) LwA = 85 dB(A), K = 3 dB(A)
<b>Schwingungswert</b>	3,05 m/s <sup>2</sup> , K:1,5 m/s <sup>2</sup>

## Vibrationen

- Die in der Bedienungsanleitung angegebene Messung des Schwingungsemissionswertes (Vektorsumme in drei Schritten) und der Lichtwerte wurde gemäß einer nach EN 50636-2-91 standardisierten Messmethode durchgeführt und kann im Vergleich von verschiedenen Elektrohandwerkzeugen verwendet werden.
- Die Messmethode ist für eine vorläufige Beurteilung der Schwingungsbelastung geeignet.
- Der angegebene Schwingungsemissionswert gilt, wenn das Elektrowerkzeug auf die in der Bedienungsanleitung beschriebenen Weise genutzt wird. Wird das Elektrowerkzeug dagegen zweckentfremdet, mit anderem Zubehör genutzt oder nicht ordentlich gewartet, kann der Schwingungsemissionswert während der Betriebsdauer erheblich steigen.
- Für eine exakte Beurteilung der Schwingungsbelastung sollte auch die Zeit beachtet werden, während der das Elektrowerkzeug vom Stromnetz getrennt ist oder eingeschaltet ist, ohne benutzt zu werden. Dies reduziert die Schwingungsbelastung während der Betriebsdauer deutlich. Sicherheitsmaßnahmen festlegen, um den Anwender vor den Wirkungen der Schwingung während jeglicher Benutzung zu schützen.

# Declaration of Conformity

Försäkran om överensstämmelse  
Samsvarerklæring  
Vakuutus yhdenmukaisuudesta  
Konformitätserklärung



Declares that this product complies with the requirements of the following directives and standards  
Intygar att denna produkt överensstämmer med kraven i följande direktiv och standarder  
Bekrefter at dette produktet er i samsvar med følgende direktiver og standarder  
Vakuuttaa, että tämä tuote täyttää seuraavien direktiivien ja standardien vaatimukset  
Erklärt hiermit, dass dieses Produkt die Anforderungen und Bestimmungen folgender Richtlinien erfüllt

## MULTITRIMMER

31-9464  
ASYPHT04180

Machinery Directive 2006/42/EC	EMC Directive 2014/30/EU	Low Voltage Directive 2014/35/EU
EN 60745-1: 2009/ A11: 2010 EN 60745-2-15:2009/ A11:2010 EN 50636-2-94:2014 AFPS GS 2014:01 PAK	EN: 55014-1: 2006 +A2: 2011 EN: 55014-2: 2015	EN 60335-1: 2012/ A11:2014 EN 62233: 2008

Henrik Alfredsson  
Technical Manager

Insjön, Sweden, 2018-01-17

CLAS OHLSON AB, SE-793 85 INSJÖN, SWEDEN





# LXC

LITHIUM XROSS CONNECT



# 18V LITHIUM SERIES