

41-4243

Cocraft®

LXC

LITHIUM XROSS CONNECT

18V LITHIUM
SERIES

DRILL DRIVER 18V

LXC DD18



Art.no
41-4243

Model
DJC-166A



Important:

Read the entire instruction manual carefully and make sure that you fully understand it before you use the equipment. Keep the manual for future reference.

Viktig information:

Läs hela bruksanvisningen noggrant och försäkra dig om att du har förstått den innan du använder utrustningen. Spara bruksanvisningen för framtida bruk.

Viktig informasjon:

Les disse anvisningene nøye og forsikre deg om at du forstår dem, før du tar produktet i bruk. Ta vare på anvisningene for seinere bruk.

Tärkeää tietoa:

Lue nämä ohjeet huolellisesti ja varmista että olet ymmärtänyt ne, ennen kuin alat käyttää laitetta. Säilytä ohjeet myöhempää tarvetta varten.

Ver. 20230713

Original instructions
Bruksanvisning i original
Originalbruksanvisning
Alkuperäinen käyttöohje

ENGLISH

SVENSKA

NORSK

SUOMI

SVERIGE

Kundtjänst

tel: 0247/445 00

fax: 0247/445 09

e-post: kundservice@clasohlson.se

Internet

www.clasohlson.se

Post

Clas Ohlson AB, 793 85 INSJÖN

NORGE

Kundesenter

tlf.: 23 21 40 00

faks: 23 21 40 80

e-post: kundesenter@clasohlson.no

Internett

www.clasohlson.no

Post

Clas Ohlson AS, Postboks 485 Sentrum, 0105 OSLO

SUOMI

Asiakaspalvelu

puh.: 020 111 2222

sähköposti: info@clasohlson.fi

Internet

www.clasohlson.fi

Osoite

Clas Ohlson Oy, Kaivokatu 10 B, 00100 HELSINKI


Drill/Driver

Art.no 41-4243 Model DJC-166A

Please read the entire instruction manual before use and then save it for future reference. We reserve the right for any errors in text or images and any necessary changes made to technical data. In the event of technical problems or other queries, please contact our Customer Services.

Safety

General Power Tool Safety Warnings – Personal Safety

 **Warning: Read all safety warnings and all instructions.** *Failure to follow the warnings and instructions may result in electric shock, fire and/or serious injury.*

SAVE ALL WARNINGS AND INSTRUCTIONS FOR FUTURE REFERENCE.

The term "power tool" in the warnings refers to your mains-operated (corded) power tool or battery-operated (cordless) power tool.

1) Work area safety

- a) **Keep work area clean and well lit.** *Cluttered or dark areas invite accidents.*
- b) **Do not operate power tools in explosive atmospheres, such as in the presence of flammable liquids, gases or dust.** *Power tools create sparks which may ignite the dust or fumes.*
- c) **Keep children and bystanders away while operating a power tool.** *Distractions can cause you to lose control.*

2) Electrical safety

- a) **Power tool plugs must match the outlet. Never modify the plug in any way. Do not use any adapter plugs with earthed (grounded) power tools.** *Unmodified plugs and matching outlets will reduce risk of electric shock.*
- b) **Avoid body contact with earthed or grounded surfaces, such as pipes, radiators, ranges and refrigerators.** *There is an increased risk of electric shock if your body is earthed or grounded.*
- c) **Do not expose power tools to rain or wet conditions.** *Water entering a power tool will increase the risk of electric shock.*
- d) **Do not abuse the cord. Never use the cord for carrying, pulling or unplugging the power tool. Keep cord away from heat, oil, sharp edges or moving parts.** *Damaged or entangled cords increase the risk of electric shock.*
- e) **When operating a power tool outdoors, use an extension cord suitable for outdoor use.** *Use of a cord suitable for outdoor use reduces the risk of electric shock.*
- f) **If operating a power tool in a damp location is unavoidable, use a residual current device (RCD) protected supply.** *Use of an RCD reduces the risk of electric shock.*

3) Personal safety

- a) **Stay alert, watch what you are doing and use common sense when operating a power tool. Do not use a power tool while you are tired or under the influence of drugs, alcohol or medication.** *A moment of inattention while operating power tools may result in serious personal injury.*
- b) **Use personal protective equipment. Always wear eye protection.** *Protective equipment such as dust mask, non-skid safety shoes, hard hat, or hearing protection used for appropriate conditions will reduce personal injuries.*
- c) **Prevent unintentional starting. Ensure the switch is in the off-position before connecting to power source and/or battery pack, picking up or carrying the tool.** *Carrying power tools with your finger on the switch or energising power tools that have the switch on invites accidents.*
- d) **Remove any adjusting key or wrench before turning the power tool on.** *A wrench or a key left attached to a rotating part of the power tool may result in personal injury.*
- e) **Do not overreach. Keep proper footing and balance at all times.** *This enables better control of the power tool in unexpected situations.*
- f) **Dress properly. Do not wear loose clothing or jewellery. Keep your hair, clothing and gloves away from moving parts.** *Loose clothes, jewellery or long hair can be caught in moving parts.*
- g) **If devices are provided for the connection of dust extraction and collection facilities, ensure these are connected and properly used.** *Use of dust collection can reduce dust related hazards.*

4) Power tool use and care

- a) **Do not force the power tool. Use the correct power tool for your application.** *The correct power tool will do the job better and safer at the rate for which it was designed.*
- b) **Do not use the power tool if the switch does not turn it on and off.** *Any power tool that cannot be controlled with the switch is dangerous and must be repaired.*
- c) **Disconnect the plug from the power source and/or the battery pack from the power tool before making any adjustments, changing accessories, or storing power tools.** *Such preventive safety measures reduce the risk of starting the power tool accidentally.*
- d) **Store idle power tools out of the reach of children and do not allow persons unfamiliar with the power tool or these instructions to operate the power tool.** *Power tools are dangerous in the hands of untrained users.*
- e) **Maintain power tools. Check for misalignment or binding of moving parts, breakage of parts and any other condition that may affect the power tool's operation. If damaged, have the power tool repaired before use.** *Many accidents are caused by poorly maintained power tools.*
- f) **Keep cutting tools sharp and clean.** *Properly maintained cutting tools with sharp cutting edges are less likely to bind and are easier to control.*
- g) **Use the power tool, accessories and tool bits, etc. in accordance with these instructions, taking into account the working conditions and the work to be performed.** *Use of the power tool for operations different from those intended could result in a hazardous situation.*

5) Battery tool use and care

- a) **Make sure that the power switch is set to OFF before the battery is inserted.** *Attaching a battery to a power tool when the power switch set to ON increases the risk of an accident occurring.*
- b) **Recharge only with the charger specified by the manufacturer.** *A charger that is suitable for one type of battery pack may create a risk of fire when used with another battery pack.*
- c) **Use power tools only with specifically designated battery packs.** *Use of any other battery packs may create a risk of injury and fire.*
- d) **When battery pack is not in use, keep it away from other metal objects, like paper clips, coins, keys, nails, screws or other small metal objects, that can make a connection from one terminal to another.** *Shorting the battery terminals together may cause burns or a fire.*
- e) **Under abusive conditions, liquid may be ejected from the battery; avoid contact. If contact accidentally occurs, flush with water. If liquid contacts eyes, additionally seek medical help.** *Liquid ejected from the battery may cause irritation or burns.*

6) Service

- a) **Have your power tool serviced by a qualified repair person using only identical replacement parts.** *This will ensure that the safety of the power tool is maintained.*

Drill Safety Warnings

- a) **Use auxiliary handle(s), if supplied with the tool.** Loss of control can cause personal injury.
- b) **Hold power tool by insulated gripping surfaces, when performing an operation where the cutting accessory may contact hidden wiring.** Cutting accessory contacting a "live" wire may make exposed metal parts of the power tool "live" and could give the operator an electric shock.

Product safety symbols



Read the entire instruction manual.



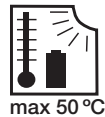
Always use safety glasses.



Always use ear protection.



For indoor use only.



max 50 °C



Protect the battery against heat, e. g., against continuous intense sunlight, fire, water, and moisture.
Danger of explosion.

General safety instructions for batteries and chargers

- a) Always be careful of inadvertent starts while attaching the battery. Make sure that the power trigger is not depressed.
 - b) Only use the included battery charger or a charger recommended by the manufacturer. The battery charger is only designed to charge certain types of batteries. If a charger designed for another type of battery is used the risk for fire or explosion is significantly increased.
 - c) Only use tool batteries designed for the power tools they will be used with. Using any other types of batteries can lead to fire and/or bodily injury.
 - d) Battery fluid can leak from the battery if it is damaged. Avoid physical contact with this fluid. If this fluid comes into contact with skin; rinse the area thoroughly with water. If the fluid comes into contact with the eyes, seek medical attention immediately. Fluid which has leaked from a battery pack can cause skin irritation or burns.
- The battery can become hot after a longer period of use. Let it cool before attempting to recharge it.
 - Never attempt to open the battery casing.
 - Never store a battery in continuous sunlight or at temperatures above 50 °C.
 - Only charge the battery when the ambient temperature is between 5 °C and 40 °C.
 - Never expose the battery or the charger to water.
 - Keep the charger and batteries out of the reach of children.
 - Never use the battery charger or batteries in environments where flammable liquids or gases are stored.

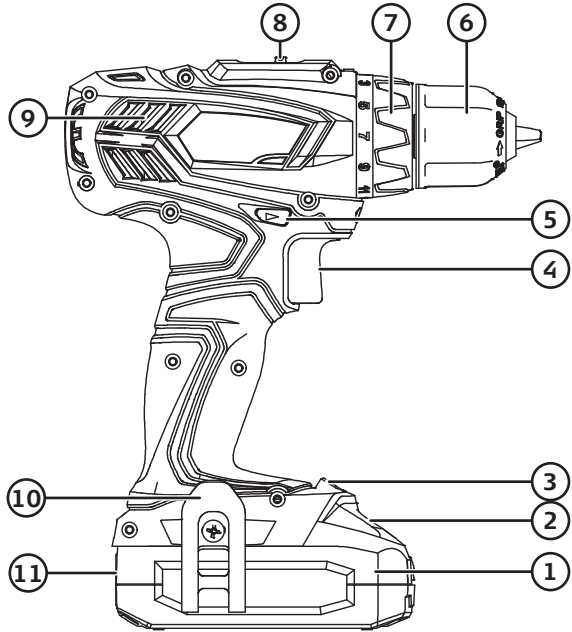
- Always transport batteries in a safe manner ensuring that they do not come into contact with each other and never in a metal container.
- Check that the battery charger and mains lead are whole and undamaged before use.
- Charge the battery completely if it is not to be used for an extended period.
- The battery must only be charged with a charger that conforms to EN60335-2-29 standards.

Safety Warnings for battery pack

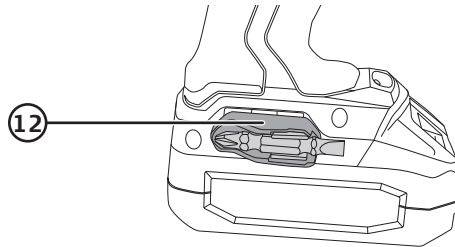
- a) **Do not dismantle, open or shred cells or battery pack.**
- b) **Do not short-circuit a battery pack. Do not store battery packs haphazardly in a box or drawer where they may short-circuit each other or be short-circuited by conductive materials.** When battery pack is not in use, keep it away from other metal objects, like paper clips, coins, keys, nails, screws or other small metal objects, that can make a connection from one terminal to another. Shorting the battery terminals together may cause burns or a fire.
- c) **Do not expose battery pack to heat or fire. Avoid storage in direct sunlight.**
- d) **Do not subject battery pack to mechanical shock.**
- e) **In the event of battery leaking, do not allow the liquid to come into contact with the skin or eyes. If contact has been made, wash the affected area with copious amounts of water and seek medical advice.**
- f) **Seek medical advice immediately if a cell or battery pack has been swallowed.**
- g) **Keep battery pack clean and dry.**
- h) **Wipe the battery pack terminals with a clean dry cloth if they become dirty.**
- i) **Battery pack needs to be charged before use. Always refer to this instruction and use the correct charging procedure.**
- j) **Do not maintain battery pack on charge when not in use.**
- k) **After extended periods of storage, it may be necessary to charge and discharge the battery pack several times to obtain maximum performance.**
- l) **Battery pack gives its best performance when it is operated at normal room temperature (20 ± 5 °C).**
- m) **When disposing of battery packs, keep battery packs of different electrochemical systems separate from each other.**
- n) **Recharge only with the specified charger. Do not use any charger other than that specifically provided for use with the equipment.**
A charger that is suitable for one type of battery pack may create a risk of fire when used with another battery pack.
- o) **Do not use any battery pack which is not designed for use with the equipment.**
- p) **Keep battery pack out of the reach of children.**
- q) **Retain the original product literature for future reference.**
- r) **Remove the battery from the equipment when not in use.**
- s) **Dispose of properly.**

Product description

1. 18 V 2 Ah battery
2. Battery release button
3. Work light
4. Power trigger (variable speed control)
5. Forward/reverse selector, and power switch lock
6. Keyless chuck
7. Torque/drill mode selector ring
8. High/low gear selector switch
9. Motor housing ventilation slits
10. Belt clip
11. Battery status indicator



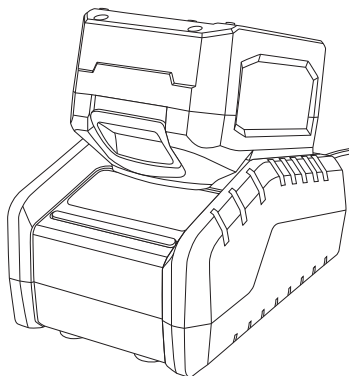
12. Bit holder



Charging the battery

Temperature range for charging the battery:
5–40 °C.

1. Plug the charger into a wall socket.
The indicator will shine green to indicate that the charger is receiving power from the mains.
2. Slide the LXC battery onto the charger.
3. The indicator will shine red when the battery is 0–80 % charged. When the battery has reached 80 % charge, the indicator will flash green until the battery is fully charged, when the indicator will shine a steady green.
4. Remove the battery from the charger when it is fully charged. Unplug the charger from the wall socket when it is not in use.



Important

- If a fully charged battery is connected to a battery charger that is connected to the mains, the indicator will first shine red for a couple of seconds and then change to green.
- If battery which is too warm is connected to the battery charger, nothing will happen. The indicator will continue to shine a steady green. When the battery has cooled sufficiently, it will begin charging automatically.

The charger indicates the charging status as follows

Charge indication	Red	Green
The charger is connected to the mains	Off	On
Charging 0–79 % in progress	On	Off
Charging 80–99 % in progress	Off	Flashes
Charge level 100 %	Off	On
Faulty battery	Flashes	Off

Battery charge status indicator

The battery has a charge status indicator (11) consisting of three LEDs. Press the button to the right of the indicator to display the current battery status.

- When fully charged (100 %), all three LEDs, green, yellow and red, will shine.
- At approximately 80 % charge only the yellow and red LEDs will shine.
- At approximately 20 % charge only the red LED will shine.
- When none of the LEDs shine when the button is pressed, the battery is flat and needs to be charged.

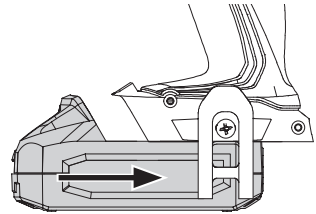
Overload protection and other safety features

The battery has a number of safety features to prevent damage to the drill/driver and battery during use.

- During short high-load situations the overload protection may turn the drill/driver off. This protection resets automatically. Release the trigger, wait a few seconds, ensure that the drill/driver is under no load and then restart it. The drill/driver should now function normally again.
- If subjected to a high-load for an extended period the overheating protection may turn the drill/driver off. This feature is self-resetting but the drill/driver cannot be restarted until it has returned to normal operating temperature. Let the drill/driver and battery cool properly before trying to start working again. Exposure to continuous sunlight can give rise to detrimental temperatures and should therefore be avoided.
- The battery has a deep discharge undervoltage protection device which operates when the battery becomes discharged. The undervoltage protection device turns the drill/driver off automatically and the battery then needs to be recharged.

Instructions for use

Slide the battery into the battery connection, making sure that it clicks securely into place.



Functions

Power trigger

Select forward or reverse using the rotation selector (5). The rotation selector also has a middle setting which locks the power trigger. If the selector is set to this middle position, the drill will not start. The drill/driver is started and stopped by squeezing or releasing the power trigger (4).

The drill/driver is equipped with a variable speed control, which makes it extremely practical for driving screws. The more the power trigger is squeezed, the higher the speed of the chuck.

Light

The drill/driver is equipped with a light (3) which is positioned close to the battery so that it can light up the work area without being obscured by the chuck. The light comes on when the power trigger is squeezed and goes off when the power trigger is released.

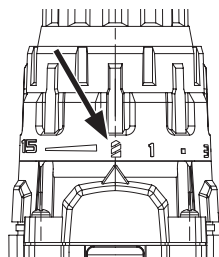
Drill mode

Set the torque/drill mode selector ring (7) to drill mode.

High / Low gear

The gear selector (8) has two settings:

Position 1: 0–400 rpm, position 2: 0–1500 rpm.



Changing drill and screwdriver bits

The drill/driver has a keyless chuck which enables drill or screwdriver bits to be changed with one hand. Twist the chuck to the left to tighten, to the right to untighten. Make sure that the bit sits centred and secured in the chuck.

Drilling tips and advice

- When drilling into slippery materials, like tiles, you should place a strong piece of tape on the area in which you wish to drill to prevent the bit from wandering.
- When drilling into metal you should first use a centre punch to make a small indentation at the spot where you wish to drill. This indentation will help hold the bit in place and prevents it from wandering when you drill.
- When drilling into metal you should also use cutting oil to assist in drilling and to preserve the machine and drill bit.
- Always use a clamp or vice to hold the workpiece.
- When drilling into walls, make sure not to damage water pipes, electricity cables or gas pipes.

Screwdriver mode

Use the torque/drill mode selector ring (7) to set a suitable torque setting. The correct torque setting will disengage the drive at the preset torque to prevent screws from being over-tightened or driven in too far. The setting should be based on the type and size of screw and the material being screwed into. Always start at the lowest setting and increase in increments to find the correct setting.

Care, maintenance and storage


Drill/driver

- Always remove the battery from the drill/driver before cleaning it and putting it away.
- Clean the exterior of the drill/driver with a soft brush or cloth. Never use water, solvents or corrosive chemicals for cleaning.
- Regularly remove all dirt, especially from around the motor ventilation slits (9).
- Store the drill/driver in a dry place out of children's reach whenever it is not to be used for a long time.
- The battery should be stored in an ambient temperature of 5–50 °C.
- Charge the battery fully every six months to maintain the battery capacity.

Charger

- Unplug the mains lead from the wall socket before cleaning.
- Keep the housing of the charger clean. Wipe the product clean with a dry cloth and vacuum clean when needed. Dirt can cause electric shocks.
- If the charger is not to be used for an extended period, it should be unplugged and stored in a dry and dust-free location out of children's reach.

Troubleshooting guide

The drill/driver doesn't start.	Discharged or incorrectly inserted battery. Charge the battery and ensure that it is properly fitted to the drill/driver.
The drill/driver is sluggish and/or cuts out.	<ul style="list-style-type: none"> • Too much force applied. Decrease the applied force. • The battery might be overheated. Read the <i>Overload protection and other safety features</i> section.
Poor battery operating time.	<ul style="list-style-type: none"> • The battery is not fully charged. A few charging cycles where the battery is charged 100% might be needed before it reaches full capacity. • The battery needs replacing.
The battery does not charge.	<ul style="list-style-type: none"> • Check that the mains lead is properly plugged into a wall socket. • Check that the wall socket is energised. • The battery is too warm, let it cool. • Check that the battery is inserted correctly into the charger. • The contacts of the battery or charger may need to be cleaned. <p> Unplug the charger from the mains before cleaning the contacts.</p> <ul style="list-style-type: none"> • The charger or its cable is damaged. • The battery is defective and must be replaced.
The battery charge is poor after it has been charged.	<ul style="list-style-type: none"> • The battery is not fully charged. Charge the battery until the indicator shines a steady green. • The battery needs replacing.

Responsible disposal

This symbol indicates that this product should not be disposed of with general household waste. This applies throughout the entire EU. In order to prevent any harm to the environment or health hazards caused by incorrect waste disposal, the product must be handed in for recycling so that the material can be disposed of in a responsible manner. When recycling the product, take it to your local collection facility or contact the place of purchase. They will ensure that the product is disposed of in an environmentally sound manner.



Specifications

No-load speed	0–400 / 0–1500 rpm
Battery	18 V 2.0 Ah lithium ion LXC series
Torque settings	18 + drill, max 30 Nm
Chuck	10 mm
Charging time	Approx. 35 minutes until 80 % and approx. 50 minutes until 100 %
Noise emission	LpA = 73.1 dB(A), uncertainty K = 5 dB(A) LwA = 81.1 dB(A), uncertainty K = 5 dB(A)
Vibration emission	
Drilling into metal	$a_{h,D} = 1.077 \text{ m/s}^2$, uncertainty K = 1.5 m/s^2
Weight	1.3 kg with 2.0 Ah battery
Charger	18 V DC, 2.8 A

Vibration

- The measurement of the vibration emission level (triaxial vector sum) and the noise level values declared in this instruction manual have been carried out in accordance with a standardised test method described in EN 62841 and can be used for comparing one power tool with another.
- The measurement method may also be used for a preliminary assessment of vibration exposure.
- The declared vibration emission level applies when the power tool is used in accordance with this instruction manual. If however, the power tool is used for other purposes and with other accessories or has not been properly maintained, the vibration emission level could increase significantly over the total working period.
- For an exact assessment of the vibration exposure, the times when the tool is switched off or running idle should also be taken into account. This significantly reduces the vibration exposure over the total working period. Decide upon safety measures to protect the operator from the effects of vibration during all types of use.

Skruvdragare

Art.nr 41-4243 Modell DJC-166A

Läs igenom hela bruksanvisningen före användning och spara den sedan för framtida bruk. Vi reserverar oss för ev. text- och bildfel samt ändringar av tekniska data. Vid tekniska problem eller andra frågor, kontakta vår kundtjänst.

Säkerhet

Generella säkerhetsinstruktioner för laddbara handverktyg

 **Varning! Läs alla instruktioner.** Om nedanstående instruktioner inte följs kan detta leda till elektrisk stöt, brand eller allvarlig skada.

SPARA DESSA INSTRUKTIONER!

Termen "elektriskt handverktyg" i varningstexten nedan refererar till ditt nätanslutna eller batteridrivna handverktyg.

1) Arbetsutrymmet

- a) **Håll arbetsutrymmet rent och väl upplyst.** Belamrade och mörka utrymmen inbjuder till olyckor.
- b) **Använd inte elektriska handverktyg i explosiva miljöer, som i närheten av lättantändliga vätskor, gaser eller damm.** Elektriska handverktyg genererar gnistor som kan antända damm och ångor.
- c) **Håll barn och åskådare på avstånd när du använder det elektriska handverktyget.** Störningsmoment kan göra att du tappar kontrollen över verktyget.

2) Elektrisk säkerhet

- a) **Det elektriska handverktygets stickpropp måste passa i vägguttaget.** Modifiera aldrig stickproppen på något vis. Använd aldrig adapter tillsammans med jordade elektriska handverktyg. Omodifierade stickproppar och passande vägguttag minskar risken för elektrisk stöt.
- b) **Undvik kroppskontakt med jordade föremål, som rör, element, köksspis eller kylskåp.** Det innebär ökad risk för elektrisk stöt om din kropp är jordad.
- c) **Utsätt inte det elektriska handverktyget för regn eller våta förhållanden.** Om vatten tränger in i ett elektriskt handverktyg ökar det risken för elektrisk stöt.
- d) **Misshandla inte nätsladden.** Använd aldrig nätsladden för att bära eller dra handverktyget eller för att rycka stickproppen ur vägguttaget. Håll undan nätsladden från värme, olja, vassa kanter och rörliga delar. Skadade eller trassliga nätsladdar ökar risken för elektrisk stöt.
- e) **När du använder ett elektriskt handverktyg utomhus, använd en skarvsladd anpassad för detta ändamål.** Användning av en skarvsladd för utomhusbruk minskar risken för elektrisk stöt.

- f) Om du måste använda ett elektriskt handverktyg på en fuktig plats, anslut verktyget till elnätet via en jordfelsbrytare. Användning av jordfelsbrytare minskar risken för elektrisk stöt.

3) Personlig säkerhet

- a) Var uppmärksam på vad du gör och använd sunt förnuft när du använder ett elektriskt handverktyg. Använd inte ett elektriskt handverktyg om du är trött eller påverkad av droger, alkohol eller medicinering. Ett ögonblicks ouppmärksamhet när du använder ett elektriskt handverktyg kan resultera i allvarlig personskada.
- b) Använd skyddsutrustning. Bär alltid skyddsglasögon. Användning av skyddsutrustning som andningsskydd, halksäkra skyddsskor, hjälm och hörselskydd vid behov minskar risken för personskada.
- c) Undvik oavsiktlig start. Se till att strömbrytaren är i läge OFF innan du ansluter stickproppen till vägguttaget. Att bära ett elektriskt handverktyg med ett finger på strömbrytaren/avtryckaren eller att ansluta ett elektriskt handverktyg till elnätet när strömbrytaren är i läge ON inbjuder till olyckor.
- d) Ta bort alla serviceverktyg/nycklar innan du slår på det elektriska handverktyget. Ett kvarglömt serviceverktyg på en roterande del av det elektriska handverktyget kan resultera i personskada.
- e) Sträck dig inte för långt. Se till att du står stadigt med god balans hela tiden. Detta möjliggör bättre kontroll i oväntade situationer.
- f) Bär lämplig klädsel. Bär inte löst sittande kläder eller smycken. Håll undan hår, kläder och handskar undan från rörliga delar. Lösna kläder, smycken eller långt hår kan fastna i rörliga delar.
- g) Om utrustning för utsugning och uppsamling av damm finns tillgänglig, se till att denna är ansluten och används. Användning av dessa hjälpmedel kan minska dammrelaterade faror.

4) Användning och underhåll av det elektriska handverktyget

- a) Pressa inte det elektriska handverktyget. Använd ett elektriskt handverktyg som är avsett för det arbetsmoment du utför. Korrekt elektriskt handverktyg gör jobbet bättre och säkrare med avsedd matningshastighet.
- b) Använd inte det elektriska handverktyget om strömbrytaren inte slår på och stänger av verktyget. Alla elektriska handverktyg som inte kan kontrolleras med strömbrytaren är farliga och måste repareras.
- c) Ta stickproppen ur vägguttaget innan du utför några justeringar, byter tillbehör eller lägger undan det elektriska handverktyget för förvaring. Dessa åtgärder i förebyggande syfte minskar risken för att starta det elektriska handverktyget oavsiktligt.
- d) Förvara elektriska handverktyg som inte används utom räckhåll för barn och låt inte personer som inte är förtrogna med det elektriska handverktyget eller dessa instruktioner använda det. Elektriska handverktyg är farliga om de kommer i händerna på ovana användare.

- e) **Underhåll elektriska handverktyg.** Kontrollera om något är felinställt, om rörliga delar kärvar, om delar har gått sönder eller om något annat inträffat som kan påverka funktionen hos det elektriska handverktyget. Om något är skadat måste det repareras före användning. *Många olyckor beror på dåligt underhållna elektriska handverktyg.*
- f) **Håll verktygen vassa och rena.** *Ordentligt underhållna skärverktyg med vassa eggar är mindre benägna att kärva och lättare att kontrollera.*
- g) **Använd det elektriska handverktyget, tillbehör och liknande enligt instruktionerna och på det sätt som är ämnat för just den typen av elektriskt handverktyg, och ta även hänsyn till arbetsförhållandena och den typ av arbete som ska utföras.** *Användning av det elektriska handverktyget för andra arbeten än vad det är ämnat för kan resultera i en farlig situation.*

5) Användning och service av det laddbara handverktyget

- a) **Se till att strömbrytaren är i avstängt läge innan du monterar batteriet.** *Att montera batteriet på ett elektriskt handverktyg som har strömbrytaren i påslaget läge inbjuder till olyckor.*
- b) **Ladda batteriet endast med en laddare som är utvald av tillverkaren.** *En laddare som passar till en typ av batteri kan orsaka brandrisk om den används till en annan typ av batteri.*
- c) **Använd laddbara handverktyg endast tillsammans med därför ämnade batterier.** *Användning av andra batterier kan orsaka skade- och brandrisk.*
- d) **När batteriet inte används, förvara det på avstånd från andra metallföremål som gem, mynt, nycklar, spikar, skruvar eller andra små metallföremål som kan skapa kontakt från den ena batteripolen till den andra.** *Kortslutning av batteripolerna kan orsaka brännskador eller brand.*
- e) **Om batteriet misshandlas kan syra läcka ut. Undvik kontakt med syran.** *Om du av misstag kommer i kontakt med syran, spola med vatten. Om syran kommer i kontakt med ögonen, uppsök läkare. Syra som kommer från batteriet kan orsaka irritation och brännskador.*

6) Service

- a) **Låt behörig personal utföra service och reparationer, och endast med originalreservdelar.** *Detta garanterar att säkerheten hos det elektriska handverktyget behålls.*

Särskilda säkerhetsföreskrifter för borring

- a) **Använd extrahandtag om sådant medföljer verktyget.** Om du förlorar kontrollen över verktyget kan detta leda till personskada.
- b) **Håll endast i verktygets isolerade handtag när du arbetar i miljöer där skärverktyget kan komma i kontakt med strömförande elledningar.** *Om skärverktyget kommer i kontakt med strömförande elledningar kan detta leda till att verktygets metalldelar blir strömförande, vilket kan leda till elektrisk stöt.*

Produktmärkning med säkerhetssymboler



Läs hela bruksanvisningen.



Använd alltid skyddsglasögon.



Använd alltid hörselskydd.



Endast för inomhusbruk.



max 50 °C



Håll batteriet på avstånd från värme, t.ex. ihållande solljus eller öppen eld, vatten och fukt.

Risk för explosion.

Säkerhetsinstruktioner för batterier och laddare

- Var uppmärksam när du sätter i batteriet så att inte skruvdragaren startar oavsiktligt. Försäkra dig om att strömbrytaren inte är intryckt.
 - Använd endast medföljande batteriladdare eller laddare rekommenderad av tillverkaren. Batteriladdare är konstruerade för att ladda en viss typ av batterier. Om laddare avsedd för annan typ av batterier används finns risk för brand eller explosion.
 - Använd endast batterier som är avsedda för just det elektriska handverktyg som de ska användas till. Användning av andra typer av batterier kan leda till kroppsskada och brand.
 - Vätska kan läcka från batteriet om det är skadat. Undvik all kontakt med vätskan. Skölj med rikligt med vatten om du oavsiktligt kommer i kontakt med vätskan. Om du får vätska i ögonen, ta omedelbart kontakt med läkare. Vätska som läcker från batterier kan orsaka hudirritation eller brännskador.
- Batteriet kan bli varmt efter att ha använts under en längre period, låt det svalna innan det laddas.
 - Försök aldrig öppna batteriet.
 - Förvara aldrig batteriet i ihållande solljus eller vid temperaturer över 50 °C.
 - Ladda endast batteriet i temperaturer mellan 5 och 40 °C.
 - Utsätt aldrig batteriet eller laddaren för vatten.
 - Håll laddare och batterier utom räckhåll för barn.
 - Använd aldrig batteriladdaren eller batterier i miljöer där lättantändliga gaser eller ämnen förvaras eller används.

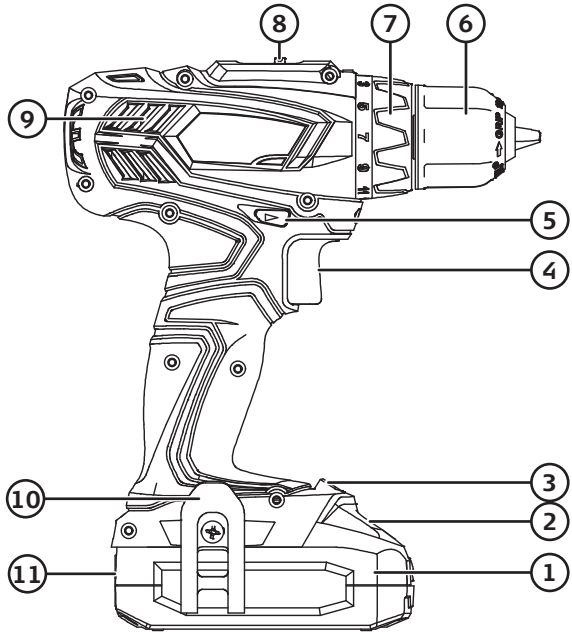
- Transportera batterier på sådant sätt att de inte kommer i kontakt med varandra och aldrig i metallbehållare.
- Kontrollera att batteriladdaren och nätkabeln är hela och oskadade innan de används.
- Ladda upp batteriet helt om det inte ska användas under en längre period.
- Batteriet kan endast laddas med batteriladdare som överensstämmer med standard EN60335-2-29.

Särskilda säkerhetsföreskrifter för batterier/batteripack

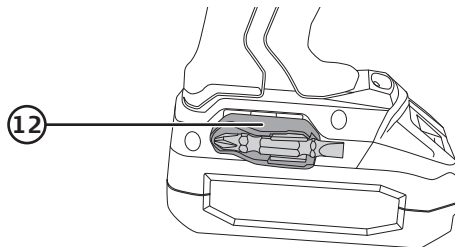
- Försök aldrig öppna, ta isär eller på något annat sätt skada eller göra åverkan på batteriet.**
- Kortslut inte batteriet. Förvara inte batteriet på sådant sätt att det kan komma i kontakt med andra batterier eller med andra strömledande föremål.** När batteriet inte används, håll det på avstånd från alla metallföremål, t.ex. gem, mynt, nycklar, spikar och skruvar. Dessa föremål kan skapa kontakt mellan batteriets terminaler och kortsluta batteriet, vilket kan leda till brännskador eller brand.
- Utsätt inte batteriet för värme eller öppen eld. Förvara inte batteriet i ihållande solljus.**
- Utsätt inte batteriet för slag och stötar.**
- Om batteriet läcker, låt inte vätskan komma i kontakt med hud eller ögon. Om så har skett, skölj omedelbart det utsatta området med rikligt med vatten och ta kontakt med läkare.**
- Om batteriet eller delar av det har svalts, sök omedelbart kontakt med läkare.**
- Håll batteriet rent och torrt.**
- Rengör batteriet med en ren, torr trasa.**
- Batteriet måste laddas innan det används. Följ alltid anvisningarna i den här bruksanvisningen och använd rätt laddmetod.**
- Låt inte batteriet stå på laddning under längre perioder när det inte används.**
- Om batteriet har lagrats under en längre period kan det behöva laddas och urladdas ett flertal gånger innan det uppnår sin fulla kapacitet.**
- Batteriet har bäst kapacitet när det används i rumstemperatur (20 ± 5 °C).**
- När batteriet ska lämnas till återvinning, håll batterier med olika elektrokemisk uppbyggnad separerade från varandra.**
- Ladda batteriet endast med den medföljande laddaren. Använd ingen annan laddare än den som är speciellt utformad och avsedd för det aktuella batteriet.** En laddare som är avsedd för en viss typ av batterier kan, om den används till andra batterier, leda till brand.
- Använd inte ett batteri som är avsett för annat verktyg än det som beskrivs i den här bruksanvisningen.**
- Håll batteriet utom räckhåll för barn.**
- Spara alla originaldokument som medföljer verktyget, för framtida bruk.**
- Ta ut batteriet ur verktyget när det inte används.**
- När du ska göra dig av med produkten ska detta ske enligt lokala föreskrifter.**

Produktbeskrivning

1. Batteri 18 V 2 Ah
2. Batterilås
3. Belysning
4. Strömbrytare (steglös)
5. Omkopplare för höger-/vänstergång, spärr för strömbrytare
6. Nyckellös chuck
7. Vred för inställning av vridmoment
8. Reglage för hög-/lågväxel
9. Motorns ventilationsöppningar
10. Bälteshållare
11. Indikator för batteristatus



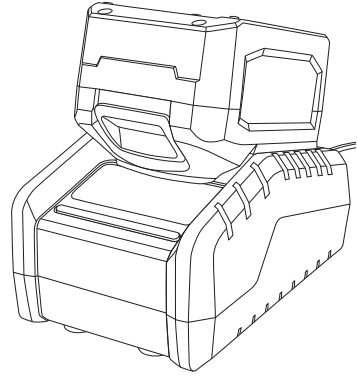
12. Bitshållare



Laddning av batteri

Temperaturintervall för laddning av batteri: 5–40 °C.

1. Anslut laddaren till ett vägguttag, indikatorn lyser med fast grönt sken.
2. Sätt i LXC-batteriet i laddaren.
3. Indikatorn lyser med rött sken när laddningen är mellan 0–80 %. När laddningen nått 80 % börjar indikatorn blinka grönt och när full laddning uppnåtts lyser den med fast grönt sken.
4. Dra ut batteriet ur laddaren när det är fulladdat. Dra ut laddarens nätkabel ur vägguttaget när laddaren inte används.



△ Viktigt!

- Om ett fulladdat batteri sätts i en nätansluten laddare lyser indikatorn först rött i någon sekund för att sedan direkt skifta till fast grönt sken.
- Om ett för varmt batteri sätts i en nätansluten laddare händer ingenting, indikatorn fortsätter att lysa med fast grönt sken. När batteriet svalnat tillräckligt startar laddningen automatiskt.

Laddaren indikerar laddstatus enligt följande

Laddindikeringar	Röd	Grön
Laddaren är nätansluten	Av	På
Laddning mellan 0–79 % pågår	På	Av
Laddning mellan 80–99 % pågår	Av	Blinkar
Laddning klar 100 %	Av	På
Batterifel	Blinkar	Av

Batteriindikator

Batteriet har en indikator (11) som visar batteristatus med tre dioder.

Tryck in knappen till höger om indikatorn för visning av batteristatus.

- Vid fulladdat batteri (100 %) lyser alla tre dioder, grön, gul och röd.
- När ca 80 % batterikapacitet återstår släcks den gröna dioden.
- När ca 20 % batterikapacitet återstår släcks även den gula och endast den röda lyser.
- När ingen av dioderna lyser när knappen trycks in är batteriet helt urladdat och måste laddas.

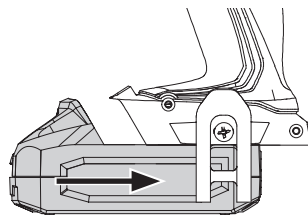
Överbelastning och skydd

Batteriet är utrustat med ett antal skydd för att undvika skada på skruvdragare och batteri.

- Vid kortvarig hög belastning kan överbelastningsskyddet stänga av skruvdragaren. Skyddet är självåterställande. Släpp strömbrytaren och vänta några sekunder, se till att skruvdragaren är utan belastning och starta den på nytt. Skruvdragaren ska nu fungera normalt igen.
- Vid hög belastning under längre tid kan ett överhettningsskydd stänga av skruvdragaren. Skyddet är självåterställande men skruvdragaren går inte att starta förrän temperaturen sjunkit till en säker nivå. Låt skruvdragaren/batteriet svalna innan du försöker starta. Skadliga temperaturer kan även uppstå vid ihållande solljus vilket ska undvikas.
- Batteriet har ett underspänningsskydd vilket träder in när batteriet blir urladdat. Underspänningsskyddet stänger då av skruvdragaren automatiskt och batteriet måste laddas.

Användning

Skjut in batteriet, se till att det klickar fast ordentligt.



Funktioner

Strömbrytaren

Välj höger- eller vänstergång med omkopplaren (5). Omkopplaren har även ett mittenläge då strömbrytaren är låst. När omkopplaren står i mittenläget kan skruvdragaren inte startas. Starta och stoppa skruvdragaren genom att trycka in och släppa strömbrytaren (4).

Skruvdragaren är utrustad med steglös varvtalsreglering, vilket är utmärkt speciellt vid skruvdragning. Ju mer strömbrytaren trycks in, desto högre blir varvtalet.

Belysning

Skruvdragaren är utrustad med belysning (3) som för att ge bästa ljus är placerad vid batteriet för att inte skymmas av chocken. Belysningen tänds när strömbrytaren trycks in och slocknar när den släpps.

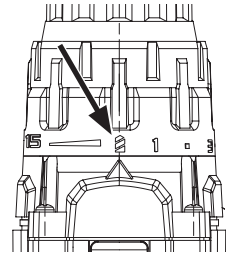
Borring

Ställ vredet (7) i borrhägen.

Hög-/lågväxel

Reglaget (8) har två lägen:

Läge 1: 0–400 v/min, läge 2: 0–1500 v/min.



Byte av borr eller bits

Maskinen har en nyckellös chuck som gör det enkelt att byta borr eller bits med en hand. Vrid till vänster för att greppa, till höger för att lossa. Försäkra dig om att borren sitter ordentligt fast och är centrerad i chucken.

Råd och tips om borring

- Vid borring i glatta material, t.ex. klinker, bör du sätta en kraftig tejpbit där du ska borra så att borren inte glider åt sidan.
- Vid borring i metall bör du först använda en körnare och göra en liten grop där du ska borra. Denna lilla grop fixerar sedan borren på rätt ställe så att den inte glider åt sidan.
- Vid borring i metall bör du även använda gäng-/skärolja för att spara på verktygen.
- Använd alltid tving/skruvstycke för att hålla fast ämnet som ska bearbetas.
- Vid borring i vägg, se till att inte skada vatten-, el-, gasledning etc.

Skruvdragning

Skruvdragaren har ett vred (7) för inställning av lämpligt vridmoment. Vid rätt inställning släpper skruvdragaren vid det förinställda vridmomentet för att undvika att skruven dras för långt. Inställningen beror på skruvtyp och skruvstorlek samt materialet du skruvar i. Börja alltid på det lägsta vridmomentet och öka stegvis för att hitta lämplig inställning.

Skötsel, underhåll och förvaring


Skruvdragare

- Ta alltid ut batteriet ur skruvdragaren före rengöring och förvaring.
- Rengör skruvdragaren utvändigt med en mjuk borste eller trasa. Använd inte vatten, lösningsmedel eller frätande kemikalier.
- Avlägsna regelbundet alla föroreningar, speciellt från motorns ventilationsöppningar (9).
- Förvara skruvdragaren torrt och utom räckhåll för barn om den inte ska användas under en längre period.
- Förvara batteriet i 5–50 °C.
- Ladda batteriet helt var 6:e månad för att behålla kapaciteten.

Laddare

- Dra ut nätkabeln ur vägguttaget före rengöring.
- Se till att hålla höljet rent. Torka av det med en torr trasa och dammsug vid behov. Föroreningar kan leda till elektrisk stöt.
- Dra ut nätkabeln ur vägguttaget och förvara laddaren torrt och dammfritt utom räckhåll för barn om den inte ska användas under en längre period.

Felsökningsschema

Skruvdragaren startar inte.	Batteriet är urladdat eller felaktigt monterat. Ladda batteriet och se till att det är helt inskjutet i skruvdragaren.
Skruvdragaren går sakta och/eller stängs av.	<ul style="list-style-type: none"> • För hård matning. Minska på matningen. • Batteriet kan vara överhettat. Se avsnittet <i>Överbelastning och skydd</i>.
Dålig batteritid.	<ul style="list-style-type: none"> • Batteriet är inte fulladdat. Det kan behöva några laddcykler där det laddas till 100 % innan det uppnår full kapacitet. • Batteriet behöver bytas ut.
Batteriet laddas inte.	<ul style="list-style-type: none"> • Kontrollera att laddarens nätkabel är ordentligt ansluten till vägguttaget. • Finns det ström i vägguttaget? • Batteriet är för varmt, låt det svalna. • Kontrollera att batteriet sitter korrekt monterat i laddaren. • Batteriets eller laddarens kontakter kan behöva rengöras.  Dra ut laddarens nätkabel ur vägguttaget innan du rengör kontakterna. • Laddaren eller dess nätkabel är skadad. • Batteriet är defekt och måste bytas ut.
Batteriet har dålig batteritid efter att det har laddats.	<ul style="list-style-type: none"> • Batteriet är inte fulladdat. Ladda tills indikatorn lyser med fast grönt sken. • Batteriet behöver bytas ut.

Avfallshantering

Denna symbol innebär att produkten inte får kastas tillsammans med annat hushållsavfall. Detta gäller inom hela EU. För att förebygga eventuell skada på miljö och hälsa, orsakad av felaktig avfallshantering, ska produkten lämnas till återvinning så att materialet kan tas omhand på ett ansvarsfullt sätt. När du lämnar produkten till återvinning, använd dig av de returhanteringssystem som finns där du befinner dig eller kontakta inköpsstället. De kan se till att produkten tas om hand på ett för miljön tillfredställande sätt.



Specifikationer

Varvtal	0–400 / 0–1500 v/min
Batteri	18 V 2,0 Ah litiumjon LXC-serie
Ställbart moment	18 + borrh, max 30 Nm
Chuck	10mm
Laddtid	Ca. 35 min. till 80 % och ca. 50 min. till 100 %
Ljud	LpA = 73,1 dB(A), Onoggrannhet K = 5 dB(A) LwA = 81,1 dB(A), Onoggrannhet K = 5 dB(A)
Vibrationsvärden	
Borning i metall	$a_{h,D} = 1,077 \text{ m/s}^2$, Onoggrannhet K = 1,5 m/s^2
Vikt	1,3 kg med 2,0 Ah-batteri.
Laddare	18 V DC 2,8 A

Vibration

- Mätningen av den vibrationsnivå (vektorsumma i tre led) och de ljudvärden som anges i denna bruksanvisning har utförts enligt en mätmetod som är standardiserad i EN 62841 och kan användas vid jämförelse av olika elektriska handverktyg.
- Mätmetoden är även lämplig för preliminär bedömning av vibrationsbelastningen.
- Den angivna vibrationsnivån gäller när det elektriska handverktyget används på det sätt som beskrivs i den här bruksanvisningen. Om däremot det elektriska handverktyget används för andra ändamål och med andra tillbehör eller inte har underhållits ordentligt kan vibrationsnivån under arbetsperioden öka betydligt.
- För en exakt bedömning av vibrationsbelastningen bör även de tider beaktas när det elektriska handverktyget är frånkopplat eller är igång utan att det används. Detta reducerar vibrationsbelastningen betydligt för den totala arbetsperioden. Bestäm säkerhetsåtgärder för att skydda operatören mot vibrationernas inverkan vid alla typer av användning.

Drill

Art.nr. 41-4243 Modell DJC-166A

Les brukerveiledningen grundig før produktet tas i bruk og ta vare på den for framtidig bruk. Vi reserverer oss mot ev. feil i tekst og bilde, samt forandringer av tekniske data. Ved tekniske problemer eller spørsmål, ta kontakt med vårt kundesenter. (Se opplysninger om kundesenteret i denne bruksanvisningen).

Sikkerhet

Generelle sikkerhetsinstruksjoner for ladbare håndverktøy

 **Advarsel! Les gjennom hele brukerveiledningen.** Hvis ikke veiledningene følges kan dette føre til elektrisk støt, brann og/eller andre alvorlige skader.

TA VARE PÅ DENNE VEILEDNINGEN.

Med «elektrisk håndverktøy» i den følgende teksten menes verktøy som enten er koblet til strømmettet eller batteridrevne håndverktøy.

1) Arbeidsplassen

- a) **Hold arbeidsplassen ren, ryddig og godt opplyst.** Rot og dårlig opplyst arbeidsplass kan forårsake ulykker.
- b) **Ikke bruk elektriske håndverktøy i eksplosjonsfarlige omgivelser, som for eksempel nær lettantennelige væsker, gasser eller støv.** Elektrisk håndverktøy kan danne gnister, som igjen kan antenne støv eller trespon.
- c) **Hold barn og andre på god avstand når håndverktøy er i bruk.** Forstyrrelser kan føre til at man mister kontrollen.

2) Sikkerhet ved bruk av elektrisk strøm

- a) **Støpselet til det elektriske verktøyet må passe i strømmuttaket.** Støpselet må ikke endres på. **Bruk aldri adapter sammen med elektrisk håndverktøy som krever jording.** Ved bruk av originale støpsler reduseres faren for elektrisk støt.
- b) **Unngå kroppskontakt med jodede gjenstander, som rør, ovner, komfyrer, kjøleskap etc.** Kroppskontakt med disse øker faren for elektrisk støt.
- c) **Elektrisk håndverktøy bør ikke utsettes for regn eller fuktighet.** Hvis det kommer vann inn i et elektrisk håndverktøy, øker faren for elektrisk støt.
- d) **Påse at ikke strømledningen blir skadet. Bær aldri apparatet i strømledningen.** Trekk heller ikke i strømledningen når støpselet skal tas ut av strømmuttaket. **Hold ledningen unna varme, olje, skarpe kanter og bevegelige deler.** Skadede eller deformerte ledninger kan øke faren for elektrisk støt.
- e) **Ved bruk av elektrisk håndverktøy utendørs, skal man benytte en skjøteledning som er beregnet til dette formålet.** Når skjøteledning som er beregnet for utendørs bruk benyttes, reduseres faren for elektrisk støt.
- f) **Dersom det elektriske håndverktøyet skal brukes i fuktige omgivelser, må verktøyet kobles til stømmettet via en jordfeilbryter.** Bruk av jordfeilbryter reduserer faren for elektrisk støt.

3) Personlig sikkerhet

- a) **Vær våken og bruk sunn fornuft når du bruker et elektrisk verktøy. Ikke bruk elektriske håndverktøy når du er trett eller påvirket av rusmidler, alkohol eller sterke medisiner.** *Når du bruker elektrisk håndverktøy kan et lite øyeblikks uoppmerksomhet resultere i store personskader.*
- b) **Bruk verneutstyr. Benytt alltid vernebriller.** *Bruk av verneutstyr som støvmaske, sklislire såler på skoene, hjelm og hørselsvern ved behov, reduserer faren for personskade.*
- c) **Unngå uønsket oppstart. Påse at strømbryteren står i posisjon OFF før strømmen kobles til.** *Det å bære et elektrisk håndverktøy med en finger på avtrekkeren/strømbryteren, eller å koble til strømmen mens strømbryteren står i posisjon ON, kan forårsake ulykker.*
- d) **Fjern alle nøkler/serviceverktøy før det elektriske håndverktøyet startes.** *Et gjenglemt serviceverktøy på en roterende del, kan forårsake personskader.*
- e) **Strekk deg ikke for langt. Påse at du står stødig og har god balanse under hele arbeidsoperasjonen.** *Da er du bedre forberedt når uventede situasjoner oppstår.*
- f) **Bruk fornuftige arbeidsklær. Ikke bruk løstsittende klær og smykker.** **Hold klær, hansker og smykker unna bevegelige deler.** *Løstsittende klær, smykker eller langt hår, kan feste seg i bevegelige deler.*
- g) **Hvis det er mulig å koble til en støvsamler/støvsuger, bør dette gjøres.** *Ved bruk av slike hjelpemidler, kan en redusere faren for støvrelaterte skader og ulykker.*

4) Bruk og vedlikehold av det elektriske håndverktøyet

- a) **Ikke press et elektrisk håndverktøy. Bruk elektriske håndverktøy som er beregnet til den arbeidsoperasjonen du skal utføre.** *Riktig hastighet på matingen er viktig for å utføre bedre og sikrere arbeid.*
- b) **Ikke bruk det elektriske håndverktøyet dersom det er feil på strømbryteren og den ikke skrur verktøyet på/av med din kontroll.** *Alle elektriske håndverktøy, som ikke kan kontrolleres med en strømbryter, er farlige og må repareres.*
- c) **Trekk ut støpselet før justeringer utføres, ved skifte av tilbehør eller når verktøyet legges til oppbevaring.** *Dette for å unngå at elektrisk håndverktøy får en ukontrollert start.*
- d) **Oppbevar elektrisk håndverktøy utilgjengelig for barn. Påse også at elektrisk håndverktøy er utilgjengelig for personer som ikke har fått tilstrekkelig opplæring på eller er fortrolig med verktøyet.** *Elektriske håndverktøy kan være farlige hvis de kommer uvedkommende i hende.*
- e) **Hold det elektriske håndverktøyet ved like. Kontroller at verktøyet ikke er feilinnstilt, at bevegelige deler ikke beveger seg usymmetrisk, at ingen deler er skadet eller at det elektriske håndverktøyet har andre feil som kan påvirke dets funksjon.** *Dersom noe er skadet må dette repareres før verktøyet tas i bruk. Mange ulykker skyldes dårlig eller manglende vedlikehold.*
- f) **Hold verktøyene skarpe og rene. Påse også at det elektriske verktøyet holdes skarpt.** *Godt vedlikeholdt skjæreverktøy, med skarpe egger, er lettere å kontrollere.*
- g) **Følg instruksjonen, ta hensyn til arbeidsforholdene og hva slags type arbeid som skal utføres.** *Bruk av elektrisk håndverktøy til andre arbeidsoperasjoner enn det som det er beregnet til, kan skape farlige situasjoner.*

5) Bruk og service av det ladbare håndverktøyet

- a) **Påse at strømbryteren er skrudd av før du monterer batteriet.** Hvis batteriet monteres på et elektrisk håndverktøy med strømbryteren skrudd på, kan det føre til ulykker.
- b) **Lad batteriene kun med lader som er bestemt av produsenten.** En lader som er beregnet for en type batteri kan forårsake brann når den blir brukt til en annen type batterier.
- c) **Ladbare håndverktøy må kun brukes sammen med dertil egnede batterier.** Bruk av annet batteri kan forårsake skade og kan være en brannfare.
- d) **Når batteriet ikke er i bruk, må det oppbevares på god avstand fra metallgjenstander som; mynter, nøkler, spiker, skruer o.l. som kan lede strøm fra den ene batteripolen til den andre.** Kortslutting av batteripolene kan forårsake brann eller brannskader.
- e) **Hvis batteriet vannskjøttes kan syre lekke ut. Unngå kontakt med batterisyre.** Hvis du ved et uhell skulle komme i kontakt med batterisyre må du straks skylle deg med vann. Dersom syren kommer i kontakt med øynene, må lege oppsøkes. Syre fra batteriet kan forårsake irritasjon og brannskader.

6) Service

- a) **La profesjonelle fagfolk utføre service og reparasjoner. Benytt kun originale reservedeler.** Dette for å opprettholde sikkerheten ved bruk av det elektriske håndverktøyet.

Spesielle sikkerhetsforskrifter for boring

- a) **Bruk ekstrahåndtaket dersom verktøyet leveres med et slikt.** Hvis du mister kontrollen over verktøyet kan det føre til personskader.
- b) **Hold i den isolerte delen på håndtaket når du jobber i miljøer der skjæreverktøyet kan komme i kontakt med strømførende kabler.** Hvis skjæreverktøyet kommer i kontakt med strømførende kabler kan det føre til at metalldelene på verktøyet blir strømførende, noe som igjen kan føre til elektrisk støt.

Produktmerking med sikkerhetssymboler



Les hele bruksanvisningen.



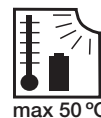
Benytt alltid vernebriller.



Bruk alltid hørselsvern.



Kun til innendørs bruk.



max 50 °C



Hold batteriet på god avstand fra varme, som f.eks. vedvarende sollys, åpen flamme, vann og fuktighet.
Fare for eksplosjon.

Sikkerhetsinstruksjoner for batterier og ladere

- Vær forsiktig når batteriet plasseres i maskinen så den ikke får en uønsket start. Forviss deg om at strømbryteren ikke er trykket inn.
 - Bruk kun den medfølgende batteriladere eller en lader som er anbefalt av produsenten. Batteriladere er konstruert for å lade opp en viss type batterier. Hvis man bruker ladere som er beregnet på andre typer batterier, utgjør det en fare for brann eller eksplosjon.
 - Bruk batterier som er beregnet for det spesielle elektriske håndverktøyet som det skal brukes til. Bruk aldri andre typer batterier da det kan føre til personskader og brann.
 - Hvis batteriet er skadet kan det lekke væske fra det. Unngå all kontakt med denne væsken. Skyll med vann dersom batterisyre kommer i kontakt med huden. Hvis du får væsken på øynene må du ta kontakt med lege umiddelbart. Væske som lekker ut av batterier kan føre til hudirritasjon eller brannskader.
- Batteriet blir varmt etter lengre tids bruk. La det avkjøles før det settes til lading.
 - Forsøk aldri å åpne batteriet.
 - Oppbevar ikke batterier i direkte, vedvarende sollys eller i temperaturer over 50 °C.
 - Temperaturen ved lading av batterier bør ligge på mellom 5 og 40 °C.
 - Batterier og lader må ikke utsettes for vann.
 - Hold lader og batterier utenfor barns rekkevidde.
 - Bruk aldri ladere eller batterier i miljøer hvor lettantennelige gasser eller stoffer oppbevares eller brukes.

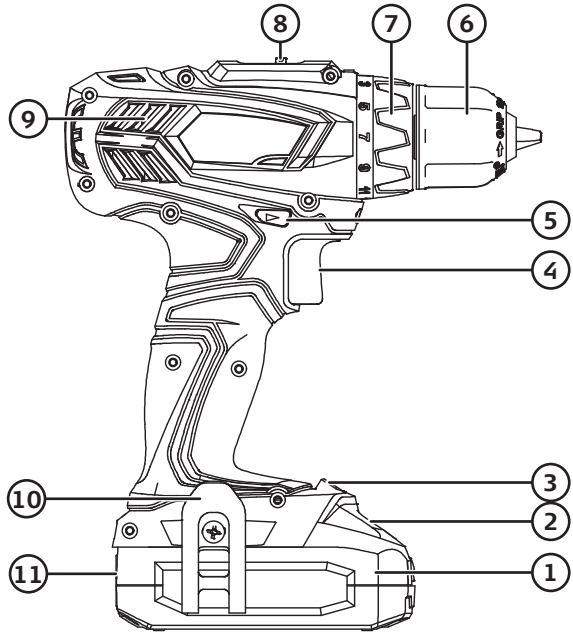
- Batterier må aldri oppbevares/transporteres i metallbeholder og de må heller ikke komme i kontakt med hverandre under transport.
- Kontroller at lader og ledning er hele og uskadet før klippingen starter.
- Ved oppbevaring over en lengre periode bør batteriet være helt oppladet.
- Batteriet kan kun lades med lader som holder kravene i standard EN60335-2-29.

Spesielle sikkerhetsforskrifter for batterier/batteripakker

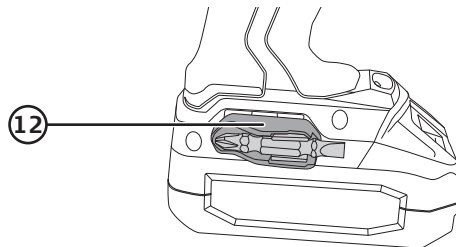
- Batteriet må ikke åpnes eller skades på noen måte.**
- Kortslutt ikke batteriet. Batteriet må ikke oppbevares slik at det kan komme i kontakt med andre batterier eller strømførende gjenstander.**
Når batteriet ikke er i bruk skal det holdes unna alle gjenstander av metall som f.eks. binders, mynter, nøkler, spikre og skruer. Disse gjenstandene kan lage kontakt mellom batteriets poler og kortslutte det. Dette kan i sin tur føre til brann og brannskader.
- Utsett ikke batterier for varme eller åpen flamme. Batteriet må ikke oppbevares i vedvarende sollys.**
- Utsett aldri batteriet for slag eller støt.**
- Hvis batteriet lekker må man sørge for at ikke væsken kommer i kontakt med hud eller øyne. Hvis dette skulle skje, må man skylle det utsatte området umiddelbart med rikelig med vann og kontakte lege.**
- Hvis batteriet eller deler av det svelges må man umiddelbart kontakte lege.**
- Hold batteriet tørt og rent.**
- Batteriet rengjøres med en ren, tørr klut.**
- Batteriet må lades før det tas i bruk. Følg alltid anvisningene i denne brukerveiledningen og bruk riktig lademetode.**
- La ikke batteriet bli stående til lading i lengre tid hvis det ikke er i bruk.**
- Hvis batteriet er blitt lagret over en lengre periode kan det hende at det må lades opp og lades ut igjen flere ganger før det oppnår full kapasitet.**
- Batteriet yter best når det brukes ved romtemperatur (20 ± 5 °C).**
- Når batteriet skal leveres til resirkulering skal batterier med forskjellige elektrokjemisk oppbygning holdes adskilt.**
- Batteriet skal kun lades med den medfølgende laderen. Ikke bruk andre ladere til batteriet enn det som er spesialutformet og beregnet til akkurat dette.**
En lader som er beregnet til en viss type batterier kan, hvis det brukes til andre typer, føre til brann.
- Ikke bruk batteri som er beregnet brukt til et annet verktøy enn det som er beskrevet her i denne brukerveiledningen.**
- Hold batteriet utenfor barns rekkevidde.**
- Ta godt vare på alle originaldokumenter som følger med verktøyet.**
- Ta batteriene ut av verktøyet når det ikke er i bruk.**
- Når produktet skal kasseres, må det skje i henhold til lokale forskrifter.**

Produktbeskrivelse

1. Batteri 18 V; 2 Ah
2. Batterilås
3. Belysning
4. Strømbryter (trinnløs)
5. Omkobler for høyre-/venstregange og sperre for strømbryter
6. Nøkkelløs chuck
7. Ratt for innstilling av dreiemoment
8. Omkobler for høyt/lavt gir
9. Motorens ventilasjonsåpninger
10. Belteholder
11. Indikasjon for batteristatus



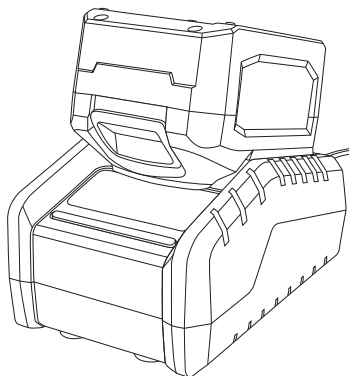
12. Bitsholder



Lading av batteri

Omgivelses-temperatur for lading og oppbevaring av batteri: 5–40 °C.

1. Laderen koblet til et strømuttak, indikatoren lyser grønt.
2. Sett LXC-batteriet i laderen.
3. Indikatoren lyser rødt når ladingen er mellom 0 og 80 %. Når batteriene er 80 % oppladet vil indikatoren begynne å blinke grønt, og når det er fulladet lyser det grønt.
4. Ta batteriet ut av laderen når du er ferdig. Dra alltid ut støpselet fra strømuttaket når laderen ikke er i bruk.



△ Viktig!

- Hvis man plasserer et fulladet batteri i en strømnnett-tilkoblet lader vil indikatoren først lyse rødt i noen sekunder for seinere å skifte til fast grønt lys.
- Hvis man plasserer et for varmt batteri i laderen vil det ikke skje noe. Indikatoren fortsetter å lyse med fast grønt lys. Når batteriet har blitt avkjølt nok vil ladingen automatisk starte igjen.

Laderen indikerer ladestatusen slik

Ladeindikasjoner	Rød	Grønn
Laderen er koblet til strømnettet	Av	På
Lading mellom 0–79 % pågår	På	Av
Lading mellom 80–99 % pågår	Av	Blinker
Lading 100 % ferdig	Av	På
Signaliserer feil på batteriet	Blinker	Av

Batteriindikator

Batteriet har en batteriindikator (11) som viser batteristatus med tre dioder. Trykk inn knappen til høyre for indikatoren for visning av batteristatus.

- Ved fulladet batteri (100 %) lyser alle tre dioder, grønn, gul og rød.
- Når ca. 80 % batterikapasitet gjenstår slukker den grønne dioden.
- Når ca. 20 % batterikapasitet gjenstår slukker også den gule og kun den røde lyser.
- Når ingen av diodene lyser er batteriet helt utladet og må lades.

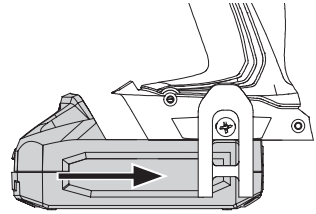
Overbelastning og beskyttelse

Batteriet er utstyrt med diverse beskyttelser for å unngå skader på maskinen og batteriet.

- Ved kortvarig høy belastning kan overbelastningsvernet skru av maskinen. Beskyttelsen stilles tilbake av seg selv. Slipp opp strømbryteren og vent i noen sekunder. Pass på at maskinen ikke er belastet, og start den på nytt. Nå skal den fungere normalt igjen.
- Ved høy belastning over lengre tid kan et overopphetingsvern stenge maskinen. Beskyttelsen stilles seg tilbake selv, men maskinen kan ikke startes før temperaturen har sunket til et sikkert nivå. La maskinen/batteriet avkjøles før den startes opp igjen. For høye temperaturer kan også oppstå ved direkte, vedvarende sollys. Utsett derfor ikke maskinen for direkte sollys over tid.
- Batteriet har et underspenningsvern som virker inn når batteriet er utladet. Underspenningsvernet skrur av maskinen automatisk og batteriet må lades.

Bruk

Skyv batteriet inn på plass og påse at det fester seg riktig.



Funksjoner

Strømbryteren

Velg høyre- eller venstregange med omkobleren (5). Omkobleren har også en midtre stilling. Her er strømbryteren låst. Hvis omkobleren stilles i mellomposisjon kan ikke maskinen startes. Maskinen startes og stoppes ved å trykke inn og slippe opp strømbryteren (4).

Maskinen er utstyrt med trinnløs turtallregulering, noe som er utmerket, spesielt når man skal skru. Jo lengre du trykker avtrekkeren inn, desto høyere blir turtallet.

Belysning

Drillen er utstyrt med belysning (3) som er plassert ved batteriet for å gi best mulig lys. Lyset tennes når strømbryteren trykkes inn og slukkes når den slippes opp.

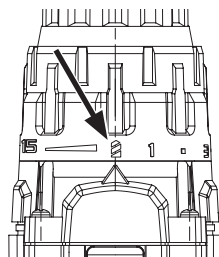
Boring

Still inn rattet (7) i borremodus.

Høy- og lavgir

Strømbryteren (8) har to innstillinger:

Posisjon 1: 0–400 o/min, posisjon 2: 0–1500 o/min.



Skifte av bor eller bits

Maskinen har en nøkkelløs chuck som gjør skifte av bor eller bits svært enkelt for hånd. Drei til venstre for å skru igjen og til høyre for å løsne. Forviss deg om at boret sitter godt fast og at det er sentrert i chucken.

Råd og tips om boring

- Ved boring i materialer med glatt overflate, som i keramiske fliset etc., bør man feste en kraftig teipbit der man skal bore. Dette for at boret ikke skal gli bort fra punktet du ønsker å bore.
- Ved boring i metall bør du først bruke en kjørner og lage en grop der du skal bore. Denne gropen forhindrer at boret glir til siden når boringen starter.
- Ved boring i metall bør du også bruke gjenge-/skjærolje for å spare verktøyet.
- Bruk alltid tvinge/skrustikke for å holde emnet som skal bearbejdes fast.
- Ved boring i vegg må man forsikre seg om at det ikke bores i vannrør, strømkabler, gassledninger etc.

Skrutrekker

Skrutrekkeren har et ratt (7) for innstilling av passende dreiemoment. Når dette er stilt inn riktig kan man unngå at skruen skrues for langt inn. Styrken på momentet er avhengig av skruetype og størrelse, og hva skags materiale du skrur i. Start alltid med lavt dreiemoment og øk gradvis.

Vedlikehold og oppbevaring


Driller

- Fjern batteriet fra maskinen før rengjøring og oppbevaring.
- Rengjør maskinen utvendig med en myk børste eller klut. Bruk aldri vann, løsemidler eller etsende kjemikalier.
- Fjern all forurensning, spesielt fra motorens ventilasjonsåpninger (9) regelmessig.
- Når maskinen ikke er i bruk skal den lagres tørt og utilgjengelig for barn.
- Batteriet oppbevares ved en temperatur på 5–50 °C.
- Lad batteriet helt opp hver 6. måned for å beholde batterikapasiteten.

Lader

- Trekk alltid støpselet ut av strømuttaket før rengjøring.
- Sørg for å holde dekslet rent. Tørk av laderen med en tørr klut og støvsug den ved behov. Forurensninger og smuss kan føre til elektrisk støt.
- Når laderen ikke er i bruk skal den lagres tørt og støvfritt, og utilgjengelig for barn. Trekk også ut støpselet.

Feilsøking

Skrutrekkeren starter ikke.	Batteriet er utladet eller feil montert. Lad opp batteriet og sørg for at det blir skjøvet helt inn i maskinen.
Drillen går sakte og/eller skrur seg av.	<ul style="list-style-type: none">• For hard mating. Reduser matingen.• Batteriet kan være overopphetet. Se avsnittet <i>Overbelastning og beskyttelse</i>.
Batteriet går fort tomt for strøm.	<ul style="list-style-type: none">• Batteriet er ikke fulladet. Det kan trenge noen ladesykluser hvor det lades opp 100 % før full kapasitet oppnås.• Batteriet må skiftes ut.
Batteriet lades ikke.	<ul style="list-style-type: none">• Kontroller at laderens strømkabel er riktig koblet til strømuttaket.• Er det strøm i strømuttaket?• Batteriet er for varmt, la det avkjøles.• Kontroller at batteriene er satt i riktig montert i laderen.• Batteriets eller laderens kontakter trenger en rengjøring.  Trekk maskinens støpsel ut av strømuttaket før rengjøring av kontaktene.• Laderen eller laderens kabel er skadet.• Batteriet er skadet og må skiftes.
Batteriet lades raskt ut etter lading.	<ul style="list-style-type: none">• Batteriet er ikke fulladet. Lad opp til indikatoren lyser med fast grønt skinn.• Batteriet må skiftes ut.

Avfallshåndtering

Symbolet viser til at produktet ikke skal kastes sammen med husholdningsavfallet. Dette gjelder innenfor EØS-området. For å forebygge eventuelle skader på helse og miljø som følge av feil håndtering av avfall, skal produktet leveres til gjenvinning, slik at materialet blir tatt hånd om på en ansvarsfull måte. Benytt miljøstasjonene som er der du befinner deg eller ta kontakt med forhandler. De vil ta hånd om produktet på en miljømessig tilfredsstillende måte.



Spesifikasjoner

Turtall	0–400 / 0–1500 o/min
Batteri	18 V/2,0 Ah, li-ion LXC-serien
Justerbart moment	18 + bor, maks 30 Nm
Chuck	10 mm
Ladetid	Ca. 35 min. til 80 % og ca. 50 min. til 100 %
Lyd	LpA = 73,1 dB(A), Unøyaktighet K = 5 dB(A) LwA = 81,1 dB(A), Unøyaktighet K = 5 dB(A)
Vibrasjonsverdi	
Boring i metall	$a_{h,D} = 1,077 \text{ m/s}^2$, Unøyaktighet K = 1,5 m/s ²
Vekt	1,3 kg med 2,0 Ah-batteri
Lader	18 V DC, 2,8A

Vibrasjon

- Måling av vibrasjonsnivå (vektorsum i tre ledd) og lydverdier som oppgis i denne bruksanvisningen er utført i henhold til målemetode som er standardisert i EN 6284. Disse verdiene kan brukes til sammenlikning av forskjellige typer elektriske håndverktøy.
- Målemetoden kan også benyttes til foreløpige målinger av vibrasjonsbelastningen.
- Vibrasjonsnivået som er oppgitt gjelder når det elektriske håndverktøyet brukes som beskrevet i bruksanvisningen. Hvis verktøyet skal brukes til andre formål og med annet tilbehør eller ikke er tilstrekkelig vedlikeholdt kan vibrasjonsnivået øke betraktelig.
- For å få en grundig vurdering av vibrasjonsbelastningen bør man også ta i betraktning den tiden håndverktøyet er frakoblet eller er i gang uten å bli brukt. Dette reduserer vibrasjonsbelastningen betydelig for den totale arbeidsperioden. Når man skal vurdere sikkerhetstiltak mot vibrasjonenes påvirkning på operatøren bør det tas hensyn til alle typer bruk av håndverktøyet.

Porakone

Tuotenro 41-4243 Malli DJC-166A

Lue käyttöohje ennen tuotteen käyttöönottoa ja säilytä se tulevaa tarvetta varten. Pidätämme oikeuden teknisten tietojen muutoksiin. Emme vastaa mahdollisista teksti- tai kuvavirheistä. Jos tuotteeseen tulee teknisiä ongelmia, ota yhteys myymälään tai asiakaspalveluun.

Turvallisuus

Ladattavien käsityökalujen yleisiä turvallisuusohjeita



Varoitus! Lue kaikki ohjeet. Seuraavien ohjeiden noudattamatta jättäminen saattaa johtaa sähköiskuun, tulipaloon ja/tai vakavaan onnettomuuteen.

SÄÄSTÄ NÄMÄ OHJEET!

Varoitus tekstien termi ”sähkökäyttöinen käsityökalu” tarkoittaa verkkovirralla tai akulla toimivaa käsityökaluasi.

1) Työtilat

- Pidä työtilat puhtaina ja hyvin valaistuin.** Täynnä tavaraa olevat ja pimeät tilat lisäävät onnettomuusrisiä.
- Älä käytä sähkökäyttöisiä käsityökaluja räjähdysherkässä ympäristössä, kuten helposti syttyvien nesteiden, kaasujen tai pölyn lähellä.** Sähkökäyttöiset käsityökalut muodostavat kipinöitä, jotka saattavat sytyttää pölyn tai höyryt.
- Pidä lapset ja sivulliset loitolla, kun käytät sähkökäyttöisiä käsityökaluja.** Häiriötekijät saattavat johtaa laitteen hallinnan menettämiseen.

2) Sähköturvallisuus

- Sähkökäyttöisen käsityökalun pistokkeen tulee sopia pistorasiaan.** Älä muuta pistoketta millään tavalla. Älä käytä adapteria maadoitettujen sähkökäyttöisten sähkötyökalujen kanssa. Muuttamattomat pistokkeet ja sopivat pistorasiat vähentävät sähköiskun riskiä.
- Vältä koskettamasta maadoitettuja esineitä, kuten putkia, lämpöpattereita, hellaa tai jääkaappia.** Sähköiskun riski kasvaa, mikäli kehosi on maadoitettu.
- Älä altista sähkökäyttöistä käsityökalua sateelle äläkä käytä sitä kosteissa olosuhteissa.** Veden joutuminen sähkökäyttöiseen käsityökaluun lisää sähköiskun vaaraa.
- Käsittele sähköjohtoa varoen! Älä käytä sähköjohtoa laitteen kantamiseen äläkä irrota pistoketta pistorasiasta johdosta vetämällä.** Älä altista virtajohtoa kuumuudelle, öljyille, teräville reunoille tai liikkuville osille. Vioittuneet tai sotkeutuneet virtajohtot lisäävät sähköiskun vaaraa.
- Kun käytät sähkökäyttöistä käsityökalua ulkona, käytä ainoastaan ulkokäyttöön sopivia jatkojohtoja.** Ulkokäyttöön sopivan jatkojohdon käyttäminen pienentää sähköiskun vaaraa.

- f) Jos sähkökäyttöistä käsityökalua käytetään kosteassa ympäristössä, se tulee liittää sähköverkkoon vikavirtasuojakytkimen kautta. Vikavirtasuojakytkimen käyttö vähentää sähköiskun vaaraa.

3) Oma turvallisuutesi

- a) Ole tarkkaavainen ja käytä tervettä järkeä, kun työskentelet sähkökäyttöisellä käsityökalulla. Älä käytä sähkökäyttöistä käsityökalua, mikäli olet väsynyt tai huumeiden, lääkkeiden tai alkoholin vaikutuksen alainen. Lyhyenkin hetken kestävä tarkkaavaisuuden herpaantuminen saattaa johtaa vakavaan loukkaantumiseen.
- b) Käytä suojavarusteita. Käytä aina suojalaseja. Suojavarusteiden, kuten hengityssuojaimen, liuquestekenkien, kypärän ja kuulosuojaimien, käyttäminen vähentää loukkaantumisvaaraa.
- c) Vältä tahatonta käynnistystä. Varmista, että virtakytkin on asennossa OFF ennen kuin liität pistokkeen seinäpistorasiaan. On äärimmäisen vaarallista kantaa sähkökäyttöistä käsityökalua sormi liipaisimella tai liittää sähkökäyttöinen käsityökalu pistorasiaan virtakytkimen ollessa ON-asennossa.
- d) Poista kaikki huoltotyökalut/avaimet, ennen kuin käynnistät sähkökäyttöisen käsityökalun. Sähkökäyttöisen käsityökalun liikkuvan osan päälle unohdettu työkalu saattaa johtaa onnettomuuteen.
- e) Älä kurota liian pitkälle. Varmista, että työasentosi on tasapainoinen työn jokaisessa vaiheessa. Näin olet paremmin varustautunut mahdollisen onnettomuuden sattuessa.
- f) Käytä tarkoituksenmukaisia vaatteita. Älä käytä löysiä vaatteita tai koruja. Pidä hiukset, vaatteet ja käsineet loitolla liikkuvista osista. Löysät vaatteet, korut tai pitkät hiukset saattavat juuttua liikkuviin osiin.
- g) Jos käytössäsi on pölynpoistojärjestelmä, käytä sitä. Näiden apuvälineiden käyttö saattaa vähentää pölyyn liittyviä vaaroja.

4) Sähkökäyttöisten käsityökalujen käyttäminen ja huoltaminen

- a) Älä pakota sähkökäyttöistä käsityökalua. Käytä sähkökäyttöistä käsityökalua, joka soveltuu suunnittelemaasi työtehtävään. Sopiva sähkökäyttöinen käsityökalu tekee työn paremmin ja turvallisemmin oikealla nopeudella.
- b) Älä käytä sähkökäyttöistä käsityökalua, mikäli virtakytkin ei käynnistä ja sammuta laitetta. Kaikki sähkökäyttöiset käsityökalut, joita ei voida hallita virtakytkimellä, ovat vaarallisia ja ne tulee korjata.
- c) Irrota pistoke pistorasiasta ennen kuin teet sähkökäyttöiseen käsityökaluun säätöjä tai ennen kuin vaihdat sen varusteita tai ennen kuin asetat sen säilytykseen. Nämä ennaltaehkäisevät toimenpiteet vähentävät sähkökäyttöisen käsityökalun tahatonta käynnistymistä.
- d) Säilytä sähkökäyttöisiä käsityökaluja lasten ulottumattomissa. Älä luovuta sähkökäyttöistä käsityökalua henkilöille, jotka eivät tunne sitä tai sen käyttöohjetta. Sähkökäyttöiset käsityökalut ovat vaarallisia tottumattoman käyttäjän käsissä.

- e) **Huolla sähkökäyttöisiä käsityökaluja.** Tarkasta, että säädöt ovat kunnossa, että liikkuvat osat liikkuvat esteettä, että osat ovat ehjiä ja että sähkökäyttöisessä käsityökalussa ei ole muita seikkoja, jotka vaikuttavat laitteen toimintaan. Jos jokin osa on vioittunut, se tulee korjata ennen käyttöä. *Monet onnettomuudet johtuvat väärin hoidetuista sähkökäyttöisistä käsityökaluista.*
- f) **Pidä työkalut puhtaina ja terävinä.** *Terätyökalun hallinta on helpompaa, kun se on oikein hoidettu ja sen terät ovat teräviä.*
- g) **Käytä sähkökäyttöistä käsityökalua, sen varusteita tms. ohjeiden mukaisesti ja sellaisella tavalla, joka sopii kyseiselle sähkökäyttöiselle käsityökalulle ja ota myös huomioon työskentelyolosuhteet ja suoritettava työ.** *Sähkökäyttöisen käsityökalun käyttäminen muihin kuin sille tarkoitettuihin työtehtäviin saattaa johtaa vaaratilanteeseen.*

5) Ladattavien käsityökalujen käyttäminen ja huoltaminen

- a) **Varmista, että laite on sammutettu virtakytkimestä, ennen kuin asennat akun.** *Jos asennat akun käsityökaluun, jonka virtakytkin on päällä, onnettomuusriski on ilmeinen.*
- b) **Lataa akku ainoastaan valmistajan hyväksymällä laturilla.** *Tietyn tyyppiselle akulle sopiva laturi saattaa aiheuttaa tulipalon, jos sitä käytetään vääräntyyppisen akun lataukseen.*
- c) **Käytä akkukäyttöisessä käsityökalussa vain siihen soveltuvia akkuja.** *Vääräntyyppisten akkujen käyttäminen saattaa johtaa onnettomuuteen tai tulipaloon.*
- d) **Kun akkua ei käytetä, sitä tulee säilyttää poissa metalliesineiden ulottuvilta (esim. paperiliittimet, kolikot, avaimet, naulat tai muut metalliesineet), jotka saattavat muodostaa kontaktin akun napojen välille.** *Akun napojen oikosulku saattaa aiheuttaa palovammoja tai tulipalon.*
- e) **Vahingoittuneesta akusta saattaa vuotaa akkuhappoa. Vältä kontaktia hapon kanssa.** Jos kuitenkin joudut kosketuksiin hapon kanssa, huuhtele kohta vedellä. **Mikäli happoa joutuu silmiin, hakeudu lääkäriin.** *Akun happo saattaa aiheuttaa ärsytystä ja palovammoja.*

6) Huolto

- a) **Laitteen saa huoltaa ja korjata ainoastaan ammattihenkilö ja huollossa tulee käyttää ainoastaan alkuperäisosa.** *Näin taataan sähkökäyttöisen käsityökalun turvallisuus.*

Porausta koskevia turvallisuusohjeita

- a) **Käytä tukikahvaa, jos koneen mukana tulee sellainen.** Koneen hallinnan menettäminen saattaa johtaa loukkaantumiseen.
- b) **Pidä kiinni ainoastaan koneen eristetyistä kahvoista, kun työskentelet paikoissa, jossa terä voi joutua kosketuksiin jännitteisten johtojen kanssa.** Terän koskettaminen jännitteiseen johtoon saattaa tehdä koneen metalliosista jännitteisiä, mikä voi johtaa sähköiskuun.

Tuotteen merkinnät ja turvallisuussymbolit



Lue koko käyttöohje huolellisesti.



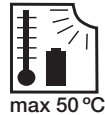
Käytä aina suojalaseja.



Käytä aina kuulosuojaimia.



Vain sisäkäyttöön.



max 50 °C



Pidä akku loitolla kuumista paikoista, kuten auringonvalosta ja tulesta sekä vedestä ja kosteudesta. Räjähdysvaara.

Akkuja ja latureita koskevat turvallisuusohjeet

- Ole varovainen, kun kiinnität akkua porakoneeseen, jotta laite ei käynnisty tahattomasti. Varmista, että virtakytkin ei ole painettuna.
 - Käytä ainoastaan mukana tulevaa tai valmistajan suosittelemaa akkulaturia. Akkulaturi on tarkoitettu tietyn tyyppisten akkujen lataamiseen. Jos laturi on tarkoitettu muuntyyppisen akun lataamiseen, on olemassa tulipalon tai räjähdyksen vaara.
 - Käytä ainoastaan käyttämäsi laitteeseen tarkoitettua akkua. Vääräntyyppisen akun käyttäminen voi aiheuttaa henkilövahinkoja tai tulipalon.
 - Jos akku vahingoittuu, siitä voi vuotaa akkunestettä. Älä koske nesteeseen. Jos akkunestettä joutuu kosketuksiin ihon kanssa, huuhtelee runsaalla vedellä. Jos saat nestettä silmiin, hakeudu välittömästi lääkäriin. Akusta vuotava neste saattaa aiheuttaa ihoärsytystä tai palovammoja.
- Akku voi lämmetä pitkäkestoisen käytön aikana. Anna akun jäähtyä ennen lataamista.
 - Älä avaa akkua.
 - Älä säilytä akkua suorassa auringonvalossa tai yli 50 °C:n lämpötilassa.
 - Lataa akkua ainoastaan 5–40 °C:n lämpötiloissa.
 - Älä altista akkua tai laturia vedelle.
 - Pidä laturi ja akku poissa lasten ulottuvilta.
 - Älä käytä laturia tai akkua ympäristössä, jossa säilytetään tai käytetään helposti syttyviä kaasuja tai aineita.
 - Kuljeta akkuja niin, että ne eivät joudu kosketuksiin keskenään. Älä säilytä akkuja metallisäiliössä.

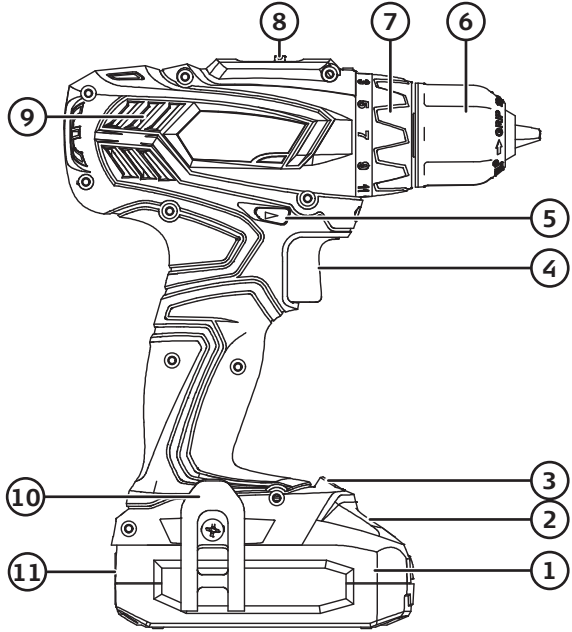
- Varmista ennen käyttöä, että laturi ja virtajohto ovat ehjiä ja kokonaisia.
- Lataa akku täyteen, jos se on pitkään käyttämättä.
- Akku voidaan ladata ainoastaan standardin EN60335-2-29 mukaisella akkulaturilla.

Akkuja koskevia turvallisuusohjeita

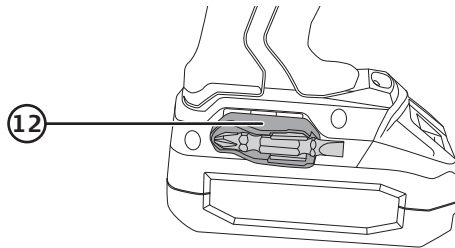
- Älä yritä avata, purkaa, muuttaa tai vahingoittaa akkua.**
- Älä oikosulje akkua. Älä säilytä akkua paikassa, jossa se voi joutua kosketuksiin muiden akkujen tai jännitteisten esineiden kanssa.** Kun akkua ei käytetä, huolehdi siitä, että se ei joudu kosketuksiin metalliesineiden, kuten paperiliitinten, kolikoiden, avainten, naulojen ja ruuvien kanssa. Nämä esineet saattavat muodostaa kontaktin akun napojen välillä, mikä voi aiheuttaa oikosulun, joka voi johtaa palovammoihin tai tulipaloon.
- Älä altista akkua kuumuudelle tai avotulelle. Älä säilytä akkua auringonvalossa.**
- Älä altista akkua kolhuille tai iskuille.**
- Jos akku vuotaa, huolehdi, että neste ei joudu kosketuksiin ihon tai silmien kanssa. Jos näin käy, huuhtele nesteelle altistunut alue runsaalla vedellä ja hakeudu lääkäriin.**
- Jos akku tai sen osia on nieltä, hakeudu välittömästi lääkäriin.**
- Pidä akku puhtaana ja kuivana.**
- Puhdista akku kuivalla ja puhtaalla liinalla.**
- Akku tulee ladata ennen käyttöä. Noudata aina tämän käyttöohjeen latausohjeita.**
- Älä jätä akkua liian pitkäksi aikaa lataukseen.**
- Jos akku on ollut pitkään käyttämättä, se saavuttaa täyden kapasiteetin vasta kun se on ladattu ja tyhjennetty useita kertoja.**
- Akun kapasiteetti on paras, kun sitä käytetään huoneenlämmössä (20 ± 5 °C).**
- Kun viet akun kierrätykseen, pidä se erillään erityyppisistä akuista.**
- Lataa akkua vain mukana tulevalla laturilla. Käytän akun lataukseen vain sille soveltuvaa laturia. Vääräntyyppisen laturin käyttäminen saattaa johtaa tulipaloon.**
- Älä käytä akkua, joka on tarkoitettu muille, kuin tässä käyttöohjeessa mainituille työkaluille.**
- Pidä akku poissa lasten ulottuvilta.**
- Säästä kaikki työkalujen mukana tulevat ohjeet ja asiakirjat.**
- Poista akku työkalusta, kun et käytä sitä.**
- Kierrätä tuote asianmukaisesti, kun poistat sen käytöstä.**

Tuotekuvaus

1. Akku 18 V 2 Ah
2. Akun lukitus
3. Valaistus
4. Virtakytkin (portaaton)
5. Suunnanvaihtokytkin, virtakytkimen lukitus
6. Avaimeton istukka
7. Vääntömomentin säädin
8. Vaihteenvälitsin
9. Moottorin ilma-aukot
10. Vyöpidike
11. Akun varaustason ilmaisin



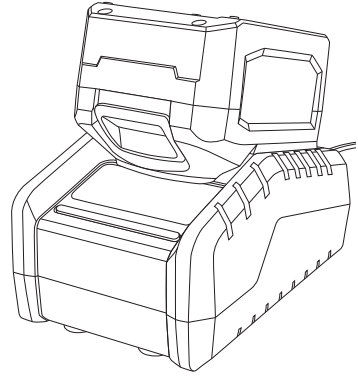
12. Palapidike



Akun lataaminen

Akun lataus- ja säilytyslämpötila: 5–40 °C.

1. Liitä laturi pistorasiaan, merkkivalo palaa vihreänä.
2. Aseta LXC-akku laturiin.
3. Merkkivalo palaa punaisena, kun akun kapasiteetti on 0–80 %. Kun akun kapasiteetti on yli 80 %, merkkivalo vilkkuu vihreänä ja kun akku on täynnä, merkkivalo palaa vihreänä.
4. Irrota akku laturista, kun lataus on valmis. Irrota laturin virtajohto pistorasiasta, kun laturia ei käytetä.



△ Huom.!

- Jos täyteen ladattu akku liitetään sähköverkossa olevaan laturiin, merkkivalo palaa ensin punaisena muutaman sekunnin, minkä jälkeen merkkivalo palaa vihreänä.
- Jos sähköverkossa olevaan laturiin liitetään liian kuuma akku, merkkivalo palaa vihreänä, mutta laturi ei lataa akkua. Lataus alkaa automaattisesti, kun akku on jäähtynyt riittävästi.

Laturi ilmaisee latauksen tilan seuraavasti

Latauksen tila	Punainen	Vihreä
Laturi on liitetty verkkoon	Pois päältä	Päällä
Lataus käynnissä, kapasiteetti 0–79 %	Päällä	Pois päältä
Lataus käynnissä, kapasiteetti 80–99 %	Pois päältä	Vilkkuu
Akku on täynnä	Pois päältä	Päällä
Akkuvika	Vilkkuu	Pois päältä

Akun varaustason ilmaisimien

Akussa on varaustason ilmaisimien (11), joka ilmoittaa akun varaustason kolmen valon avulla. Katso akun varaustaso painamalla ilmaisimien oikealla puolella olevaa painiketta.

- Kun akun varaustaso on 100 %, kaikki kolme merkkivaloa palavat: vihreä, keltainen ja punainen.
- Kun akun varaustaso on n. 80 %, vihreä valo sammuu.
- Kun akun varaustaso on n. 20 %, keltainenkin valo sammuu ja vain punainen valo palaa. Kun akku on täysin tyhjä, yksikään merkkivalo ei syty painiketta painettaessa, ja akku tulee ladata.

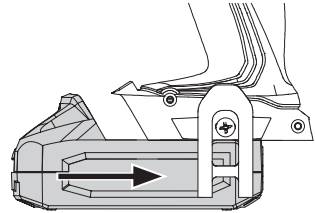
Ylikuormitus ja suojaus

Akussa on erilaisia suojaomintoja laitteen ja akun suojaamiseksi.

- Ylikuormitussuoja sammuttaa laitteen lyhytaikaisen ylikuormituksen sattuessa. Suoja palautuu automaattisesti. Päästä virtakytkin ja odota muutaman sekunnin ajan. Varmista, että laitetta ei ole kuormitettu, ja käynnistä se uudelleen. Laite toimii taas normaalisti.
- Ylikuumenemissuoja sammuttaa laitteen pitkäaikaisen ylikuormituksen sattuessa. Ylikuumenemissuoja palautuu automaattisesti, mutta laitteen voi käynnistää vasta, kun sen lämpötila on laskenut riittävästi. Anna laitteen/akun jäähtyä, ennen kuin yrität käynnistää laitteen. Myös suora auringonvalo saattaa aiheuttaa koneen ylikuumenemisen. Vältä suoraa auringonvaloa.
- Akussa on alijännitesuoja, joka sammuttaa laitteen, jos akku tyhjenee. Alijännitesuoja sammuttaa laitteen automaattisesti, minkä jälkeen akku pitää ladata.

Käyttö

Työnnä akku paikalleen ja varmista, että se lukittuu kunnolla.



Toiminnot

Virtakytkin

Valitse suunta vaihtokytkimellä (5). Kytkimessä on lisäksi keskiasento, jolloin virtakytkin on lukittuna. Kun kytkin on keskiasennossa, laitetta ei voi käynnistää. Käynnistä ja pysäytä laite painamalla ja päästämällä virtakytkin (4).

Laitteessa on portaaton kierrosluvun säätö. Mitä enemmän virtakytkintä painetaan, sitä suurempi on kierrosluku.

Valo

Laitteessa on valo (3). Valo syttyy, kun virtakytkintä painetaan ja sammuu, kun se päästetään.

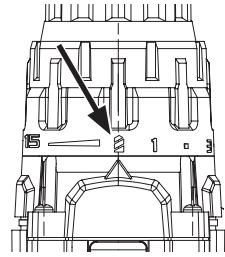
Poraus

Aseta säädin (7) poraustilaan.

Hidas/nopea vaihde

Vaihteenvälitsimessä (8) on kaksi tilaa:

Tila 1: 0–400 kierr./min, tila 2: 0–1500 kierr./min.



Poranterän tai palan vaihtaminen

Porakoneessa on pikaistukka, jonka avulla poranterän tai palan voi vaihtaa helposti yhdellä kädellä. Kiristä kiertämällä vasemmalle, avaa kiertämällä oikealle. Varmista, että terä on tiukasti paikoillaan ja että se on keskellä istukkaa.

Vinkkejä poraukseen

- Kun poraat liukasta pintaa, esim. klinkkeriä, aseta vahva teipinpala porattavaan kohtaan, ettei pora pääse luisumaan pois porauskohdasta.
- Kun poraat metallia, tee aluksi pistepuikolla pieni reikä porauskohtaan. Reikä keskittää poran oikeaan paikkaan niin että se ei pääse liukumaan porattaessa.
- Kun poraat metallia, kannattaa myös käyttää poraus- ja kierreöljyä työkalun säästämiseksi.
- Kiinnitä porattava materiaali aina puristimilla.
- Kun poraat seiniä, varo ettet vahingoita sähköjohtoja tai vesi- tai kaasuputkia.

Ruuvinvääntö

Laitteessa on säädin (7) sopivan vääntömomentin valitsemiseksi. Kun vääntömomentti on valittu oikein, laite hellittää valitussa vääntömomentissa, eikä ruuvi poraudu liian syväälle. Oikea vääntömomentti riippuu ruuvien tyypistä ja koosta sekä porattavasta materiaalista. Hae sopiva vääntömomentti aloittamalla aina pienimmästä vääntömomentista ja lisäämällä vääntömomenttia asteittain.

Huolto ja säilytys


Porakone

- Irrota akku ennen puhdistamista ja säilytykseen asettamista.
- Puhdista porakoneen pinta pehmeällä harjalla tai liinalla. Älä käytä vettä, liuotusaineita tai syövyttäviä kemikaaleja.
- Poista säännöllisesti kaikki roskat. Puhdista erityisen tarkasti moottorin ilma-aukot (9).
- Säilytä porakonetta kuivassa paikassa lasten ulottumattomissa.
- Akun säilytyslämpötila on 5–50 °C.
- Lataa akku täyteen kuuden kuukauden välein, jotta se säilyttää kapasiteettinsa.

Laturi

- Irrota virtajohto pistorasiasta ennen puhdistusta.
- Varmista, että ulkopinta on puhdas. Imuroi tai pyyhi laite tarvittaessa kuivalla liinalla. Epäpuhtaudet saattavat johtaa sähköiskuun.
- Jos laturia ei käytetä pitkään aikaan, irrota pistoke pistorasiasta ja säilytä laturia kuivassa ja pölyttömässä paikassa lasten ulottumattomissa.

Vianhakutaulukko

Porakone ei käynnisty.	Akku on tyhjä tai se on asennettu väärin. Lataa akku ja varmista, että se on kunnolla paikoillaan.
Porakone käy hitaasti ja/tai pysähtyy.	<ul style="list-style-type: none">• Konetta painetaan liian kovaa. Älä pakota konetta.• Akku voi olla ylikuumentunut. Katso kappale <i>Ylikuormitus ja suojaus</i>.
Akku ei kestä pitkään.	<ul style="list-style-type: none">• Akkua ei ole ladattu täyteen. Voi olla, että akkua pitää ladata muutaman kerran, ennen kuin se saavuttaa täyden kapasiteetin.• Vaihda akku.
Akku ei lataudu.	<ul style="list-style-type: none">• Varmista, että laturin virtajohto on liitetty kunnolla pistorasiaan.• Onko pistorasiassa virtaa?• Akku on liian kuuma, anna jäähtyä.• Varmista, että akku on kunnolla laturissa.• Akun tai laturin liitännät pitää puhdistaa. <p> Irrota laturin virtajohto pistorasiasta ennen liitäntöjen puhdistamista.</p> <ul style="list-style-type: none">• Laturi tai sen johto on vahingoittunut.• Akku on viallinen ja se tulee vaihtaa.
Akku kestää vain vähän aikaa latauksen jälkeen.	<ul style="list-style-type: none">• Akkua ei ole ladattu täyteen. Lataa kunnes merkkivalo palaa vihreänä.• Vaihda akku.

Kierrättäminen

Tämä kuvake tarkoittaa, että tuotetta ei saa hävittää kotitalousjätteen seassa. Tämä koskee koko EU-aluetta. Virheellisestä hävittämisestä johtuvien mahdollisten ympäristö- ja terveyshaittojen ehkäisemiseksi tuote tulee viedä kierrätettäväksi, jotta materiaali voidaan käsitellä vastuullisella tavalla. Kierrätä tuote käyttämällä paikallisia kierrätysjärjestelmiä tai ota yhteys ostopaikkaan. Ostopaikassa tuote kierrätetään vastuullisella tavalla.



Tekniset tiedot

Kierros-luku	0–400 / 0–1500 kierr./min
Akku	18 V/2,0 Ah:n litiumioniakku, LXC-sarja
Säädettävä momentti	18 + poraus, enint. 30 Nm
Istukka	10 mm
Latausaika	Noin 35 min 80 %:iin ja n. 50 min 100 %:iin
Ääni	LpA = 73,1 dB(A), Epätarkkuus K = 5 dB(A) LwA = 81,1 dB(A), Epätarkkuus K = 5 dB(A)
Tärinäarvot	
Metallin poraus	$a_{h,D} = 1,077 \text{ m/s}^2$, Epätarkkuus K = 1,5 m/s ²
Paino	1,3 kg, mukaan lukien 2,0 Ah:n akku
Laturi	18 V DC 2,8 A

Tärinä

- Tässä käyttöohjeessa ilmoitettu tärinäarvo (kolmen suunnan vektorisumma) ja meluarvot on mitattu EN 62841-standardisoidulla mittaustavalla, ja arvot ovat verrattavissa muihin sähkökäyttöisiin käsityökaluihin.
- Mittaustapa soveltuu myös tärinäkuormituksen alustavaan arviointiin.
- Ilmoitettu tärinäarvo toteutuu, kun sähkökäyttöistä käsityökalua käytetään käyttö-ohjeessa kuvatulla tavalla. Jos sähkökäyttöistä käsityökalua käytetään muihin tarkoituksiin ja muilla tarvikkeilla tai jos sitä ei ole huollettu kunnolla, käytön aikainen tärinäarvo saattaa kasvaa huomattavasti.
- Tarkan tärinäkuormituksen arvioimiseksi pitää huomioida ajat, jolloin sähkökäyttöinen käsityökalu ei ole kytkettyä tai kun se on käynnissä ilman, että sitä käytetään. Tämä vähentää huomattavasti koko työskentelyjakson tärinäkuormitusta. Päätä turvallisuustoimenpiteet suojataksesi käyttäjää tärinän vaikutukselta kaikissa käyttötarkoituksissa.

EC Declaration of Conformity

EG-försäkran om överensstämmelse / Egenerklæring / EY-vaatimustenmukaisuusvakuutus



This declaration of conformity is issued under the sole responsibility of the manufacturer.

EU-försäkran om överensstämmelse utfärdas på tillverkarens eget ansvar. / Egenerklæringen er utstedt under produsentens eget ansvar. / Tämä vaatimustenmukaisuusvakuutus on annettu valmistajan yksinomaisella vastuulla

Manufacturer and person authorised to compile technical file: Clas Ohlson AB, SE-793 85 Insjön, Sweden

Name	Skruvdragare Cocraft LXC
Type/Model	DJC-166A
Clas Ohlson Article Number	414243000


The product satisfies the provision for CE-marking according to the following directive(s) / regulation(s) including amendments / Produkten uppfyller kraven för CE-märkning enligt följande direktiv / förordningar inklusive ändringar / Produktet tilfredsstiller bestemmelsen om CE-merking i henhold til følgende direktiv (er) / forskrifter, inkludert endringer / Tuote täyttää seuraavien direktiivien / asetusten mukaiset CE-merkintää koskevat vaatimukset, mukaan lukien muutokset;

- Machinery Directive 2006/42/EC
- EMC Directive 2014/30/EU

References to the relevant harmonised standards used or references to the other technical specifications in relation to which conformity is declared. Hänvisning till de harmoniserade standarder som använts eller hänvisningar till de specifikationer som försäkran om överensstämmelse deklarerar: / Referere til harmoniserte standarder som brukes, eller henvisninger til spesifikasjonene der samsvarserklæring er erklært / Viittaus yhdenmukaistettuihin standardeihin tai viittaus eritelmiin, jossa vaatimustenmukaisuusvakuutus on julistettu; Machinery Directive 2006/42/EC: EN62841-1: 2015/A11: 2022, EN62841-2-1: 2018/A12: 2022.

EMC Directive 2014/30/EU: ENIEC55014-1: 2021, EN IEC55014-2: 2021, EN IEC61000-3-2: 2019/A1: 2021, EN 61000-3-3: 2013/A2: 2021, EN 50581: 2012

Signed for and on behalf of;



Carina Hemstrand
Product Compliance & Sustainability Manager
Clas Ohlson AB, SE-793 85 Insjön, Sweden

Place and date: 2025-06-25

LXC

LITHIUM XROSS CONNECT



18V LITHIUM SERIES