

41-2626

Cocraft®

DRILL/DRIVER 18 V

HD 18-LI

1-HOUR CHARGER INCLUDED

SKRUVDRAGARE
DRILL
PORAKONE



Important:

Read the entire instruction manual carefully and make sure that you fully understand it before you use the equipment. Keep the manual for future reference.

Viktig informasjon:

Läs hela bruksanvisningen noggrant och försäkra dig om att du har förstått den innan du använder utrustningen. Spara bruksanvisningen för framtida bruk.

Viktig informasjon:

Les disse anvisningene nøye og forsikre deg om at du forstår dem, før du tar produktet i bruk. Ta vare på anvisningene for seinere bruk.

Tärkeää tietoa:

Lue nämä ohjeet huolellisesti ja varmista että olet ymmärtänyt ne, ennen kuin alat käyttää laitetta. Säilytä ohjeet myöhempää tarvetta varten.

Art.no
41-2626

Model
D019-18V

Ver. 20220314
Original instructions
Bruksanvisning i original
Originalbruksanvisning
Alkuperäinen käyttöohje

ENGLISH

SVENSKA

NORSK

SUOMI

Drill/Driver

Art.no 41-2626 Model D019-18V

Please read the entire instruction manual before using the product and then save it for future reference. We reserve the right for any errors in text or images and any necessary changes made to technical data. If you have any questions concerning technical problems please contact our Customer Services.

Safety

General safety instructions for cordless power tools

Warning: Read all the instructions. Failure to adhere to the following instructions may lead to electric shock, fires or serious injuries. The term “power tool” in the following text refers to your handheld mains operated or battery operated tool.

SAVE THESE INSTRUCTIONS.

1) Work area

- a) **Keep the work area clean and well illuminated.** Cluttered and poorly lit areas invite accidents.
- b) **Do not use power tools in explosive environments, e.g. near to flammable liquids, gases or dust.** Power tools generate sparks that can easily ignite dust and fumes.
- c) **Keep children and other bystanders a safe distance away from the area where you intend to use the power tool.** Distractions can cause you to lose concentration and control of the tool.

2) Electrical safety

- a) **The power tool's plug must fit correctly into the wall socket. Never modify the plug in any way. Never use an adaptor plug together with earthed power tools.** Unmodified plugs and matching outlets will reduce the risk of electric shocks.
- b) **Avoid physical contact with earthed objects, such as pipes, radiators, ovens or refrigerators.** There is an increased risk of electric shock if your body is earthed.
- c) **Do not expose the power tool to rain or other wet conditions.** Water entering a power tool will increase the risk of electric shock.
- d) **Do not abuse the mains lead. Never use the lead to carry or drag the power tool or to jerk the plug from a wall socket. Keep the lead away from heat, oil, sharp edges and moving parts.** Damaged or tangled leads increase the risk of electric shock.
- e) **When using power tools outdoors, use an extension lead that is suitable for this purpose.** The use of an extension lead designed for outdoor use decreases the risk of electric shocks.

- f) **If for some reason you must use a power tool in a wet environment, always connect it to the mains via an earth-fault circuit breaker such as an RCD (residual current device).** Use of a RCD significantly reduces the risk of electric shock.

3) *Personal safety*

- a) **Pay attention to what you are doing and use common sense when using power tools. Never use power tools if you are tired or under the influence of drugs, alcohol or medication.** One moment of inattention while using a power tool may result in serious injury.
- b) **Wear protective clothing. Always wear safety glasses.** Using protective clothing such as dust masks, non-slip safety shoes, helmets and ear defenders when needed decreases the risk of injury.
- c) **Avoid accidental starts. Make sure that the power switch is set to OFF before plugging the tool into a wall socket.** Never carry a power tool with your finger on the trigger and never connect the power tool to a wall socket when the switch is set to ON, since it may result in injury.
- d) **Remove all service tools/keys before switching on the power tool.** A service tool left on a rotating part of the power tool may result in personal injury.
- e) **Do not overreach. Keep proper footing and balance at all times.** This will allow you to have more control in unexpected situations.
- f) **Wear suitable clothing. Do not wear loose-fitting clothing or jewellery. Keep hair, clothes and gloves away from moving parts.** Loose clothes, jewellery or long hair can become caught in moving parts.
- g) **If equipment for dust extraction or collecting is available, make sure that it is connected and used properly.** Use of dust collection equipment can reduce dust related hazards.

4) *Use and maintenance of the power tool*

- a) **Do not force the power tool. Use the correct power tool for your application.** The correct power tool will do the job better and safer if used at the rate for which it was designed.
- b) **Never use the power tool if the power switch does not switch the tool on and off.** Any power tool that cannot be controlled by the power switch is dangerous and must be repaired.
- c) **Unplug the lead from the wall socket before making any adjustments, changing accessories or storing the power tool.** These precautions reduce the risk of the power tool starting unexpectedly.
- d) **Store power tools that are not being used out of children's reach. Do not allow people who are unfamiliar with the tool or its functions to operate it.** Power tools are dangerous in the hands of untrained users.
- e) **Maintain power tools. Check for misalignment, binding of moving parts, broken parts or anything else which might affect the operation of the power tool. If damaged, have the power tool repaired before use.** Many accidents are caused by poorly maintained power tools.

- f) **Keep tools sharp and clean.** Properly maintained cutting tools with sharp cutting edges are less likely to bind and are easier to control.
- g) **Use the power tool, accessories and similar according to the instructions and in an appropriate way suitable for the type of power tool used. Also, take into consideration your work environment and the type of work to be done.** Using the power tool for a purpose other than that for which it is intended could result in a dangerous situation.

5) *Use and maintenance of cordless power tools*

- a) **Make sure that the power switch is set to OFF before the battery is inserted.** Attaching a battery to a power tool when the power switch set to ON is inviting an accident.
- b) **Only charge the battery using a charger approved by the manufacturer.** A charger suitable for one type of battery pack can pose a potential fire hazard if used for another battery pack.
- c) **Use power tools only with specifically designated battery packs.** The use of any other battery packs may create a risk of injury and fire.
- d) **When not in use, the battery pack should be stored away from other metal objects such as paper clips, coins, keys, nails, screws or any small metal object that could bridge the gap between the battery terminals.** Shorting the battery terminals together may cause burns or a fire.
- e) **If batteries are abused there is a risk of them leaking acid. Avoid contact with any acid. If contact accidentally occurs, flush with water. If the acid comes into contact with your eyes, consult a doctor.** Battery acid can cause irritation and burns.

6) *Service*

- a) **Repairs and service should only be performed by qualified tradesmen, and only with original spare parts.** This guarantees that the safety of the power tool is maintained.

Specific safety instructions for drilling

- a) **Use an auxiliary handle if one is supplied.** Loss of control over the power tool can lead to personal injury.
- b) **Only hold the power tool by its insulated gripping surfaces when performing an operation where the cutting accessory could come into contact with live electrical wiring.** Cutting accessories which contact live wires may energise any metallic components on the housing of the power tool and lead to an electric shock.

Specific safety instructions for batteries/battery packs

- a) Never attempt to open, disassemble, damage or tamper with the battery in any way.
- b) Do not short-circuit the battery. Never store the battery in such a way that there is a risk of it coming into contact with other batteries or electrical conductors. When the battery is not in use, keep it at safe distance from all metal objects like paper clips, coins, keys, nails and screws. Such objects could create a contact between the battery terminals, causing them to short circuit the battery, which could lead to burn injuries or fire.
- c) Do not expose the battery to heat or naked flames. Do not store the battery in persistent sunlight.
- d) Do not subject the battery to impacts or shocks.
- e) Do not let fluid from leaking batteries come into contact with your skin or eyes. If this occurs, flush the area immediately with copious amounts of water and contact a physician.
- f) Contact a doctor immediately if the battery or any of its parts has been ingested.
- g) Keep the battery clean and dry.
- h) Clean the battery regularly using a clean dry cloth.
- i) The battery must be charged before use. Always adhere to the instructions included in this instruction manual using the correct charging procedures.
- j) Never let the battery charge for extended periods when it is not in use.
- k) If the battery has been stored for a long time, it may need to be charged and discharged several times in order for it to reach its full capacity.
- l) The battery is able to perform at its optimal capacity when it is used at room temperature ($20 \pm 5 \text{ }^\circ\text{C}$).
- m) When recycling the battery, be sure to keep batteries with different chemical compositions separate from each other.
- n) The battery should only be charged using the supplied charger. Never use a charger other than one that is specially designed and intended for use with the battery in question. A charger suitable for one type of battery can pose a fire hazard if used for another type of battery.
- o) Never use a battery designed for another power tool than that described in this instruction manual.
- p) Keep the extension lead out of children's reach.
- q) Retain all original documentation supplied with this tool for future reference and use.
- r) Remove the battery from the power tool when not in use.
- s) The product should be disposed of in accordance with local regulations.

General safety instructions for batteries and chargers

- Never attempt to open the battery.
- Never store a battery in direct sunlight or at temperatures above $50 \text{ }^\circ\text{C}$.
- Only charge the battery when the ambient temperature is between 10 and $40 \text{ }^\circ\text{C}$.
- Never expose the battery or charger to water.

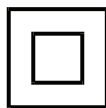
Product safety symbols



Read the entire instruction manual.



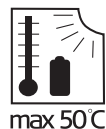
Always use ear protection, safety glasses or a visor and wear a dust mask.



Double insulation.



For indoor use only.



Max temperature: 50 °C.

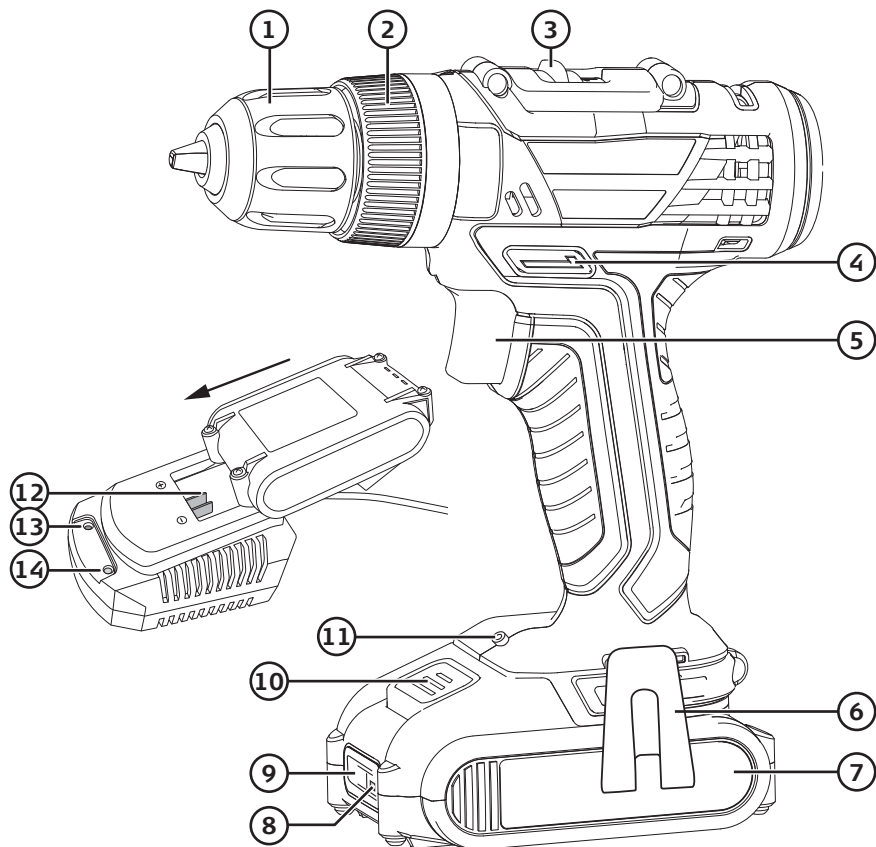



Keep the battery at a safe distance from heat sources such as persistent sunlight or naked flames and from water or damp.
Risk of explosion.

Vibration

- The measurement of the vibration emission level declared in this instruction manual has been carried out in accordance with a standardised test method described in EN 62841 and can be used for comparing one power tool with another.
- The measurement method may also be used for a preliminary assessment of vibration exposure.
- The declared vibration emission level applies when the power tool is used in accordance with this instruction manual. If the power tool is used for other purposes and with other accessories or has not been properly maintained, the vibration value could rise significantly during use.
- For an exact assessment of the vibration exposure, the times when the tool is switched off or running idle should also be taken into account. This significantly reduces the vibration exposure over the total working period. Decide upon safety measures to protect the operator from the effects of vibration during all types of use.

Product description

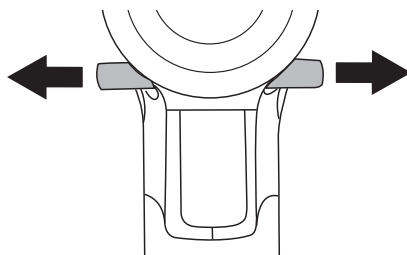


1. Keyless chuck
2. Torque setting ring 1–19 + drill mode ()
3. Gear selector
4. Forward/reverse selector
5. Power trigger (variable speed)
6. Belt clip
7. 18 V/1.5 Ah battery
8. Battery status indicator
9. Battery status test button
10. Battery release button
11. Work light
12. Battery connection socket
13. Charging indicator
14. Power/full-charge indicator

Features

Power switch and forward/reverse selector

1. The direction of rotation (forward or reverse) can be chosen using the selector (4). The rotation selector also has a middle setting which locks the power trigger. If the selector is set to this middle position, the drill/driver will not start.
2. The drill/driver is started and stopped by squeezing and releasing the power trigger (5). The drill/driver is equipped with a variable speed control, which makes it extremely practical for driving screws. The more the power trigger is squeezed, the higher the chuck rotation speed.



Work light

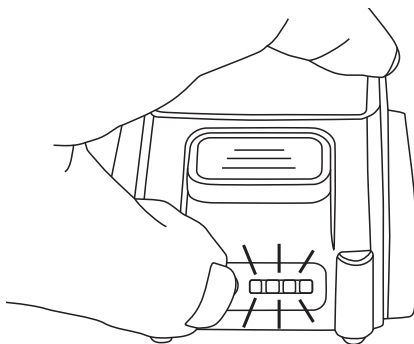
The drill/driver is equipped with a work light (11). The light comes on when the power trigger is squeezed and goes off when the power trigger is released.

Battery charge status indicator

The battery has a charge status indicator (8) consisting of 4 LEDs and which is activated by pressing the test button (9).

One or several LEDs become lit depending on the battery status:


- The battery is fully charged, 1 red and 3 green LEDs.
- The battery is partially discharged, 1 red and 1–2 green LEDs.
- The battery is discharged and must be recharged if just 1 red LED is lit.



Screwdriver mode

1. Use the torque/drill mode selector ring (2) to set a suitable torque setting. The correct torque setting will disengage the drive at the preset torque to prevent screws from being over-tightened or driven in too far. The torque setting should be based upon the type of screw, its size and the type of material being screwed into.
2. Always start at the lowest torque setting and increase in stages until a suitable setting is reached.

Drill mode

Set the drill/torque setting ring (2) to drill mode ().

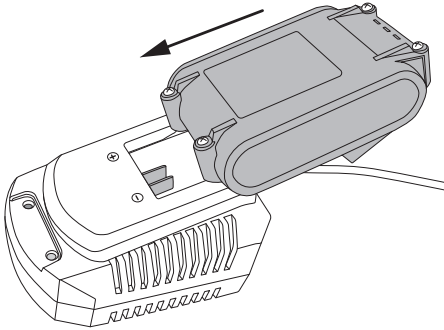
High/Low gear

The gear selector (3) has two settings: Mode 1: 0–350 rpm, mode 2: 0–1300 rpm.

Charging

Note: The battery needs to be charged fully before initial use.

1. Remove the battery from the drill by pressing the battery release button (10) and pulling out the battery. If the battery feels hot after heavy use, allow it to cool properly before charging it.
2. Connect the charger to a wall socket. The green LED on the charger will come on.
3. Insert the battery into the charger. The LED will be lit a solid red during charging and will change to a solid green once charging is complete.



The charger indicates the charging status as follows:

No battery connected:

- Constant green light: Charger is plugged into the wall socket.

Battery connected:

- Constant red light: Charging is in progress.
- Constant green light: Charging is complete, battery fully charged.
- Charging time: approx 1 hour.
- The battery may become warm during charging. This is completely normal.
- The battery and charger function best at normal room temperature. Do not charge the battery in direct sunlight or in temperatures below 5 °C. The temperature range for charging is 10–40 °C.
- When the battery becomes discharged, the electronics of the battery will turn the drill off automatically.
- For long-term storage (months) the battery should first be fully charged.

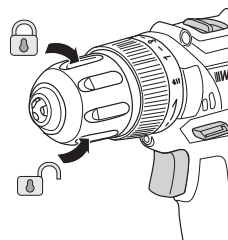
Overload protection and other safety features

The drill/driver/battery has a number of safety features that prevent damage to the machine and battery during use.

- During short high-load situations the overload protection may turn off the drill/driver/battery. This protection resets automatically. Release the trigger, wait a few seconds, ensure that there is no load and restart the drill/driver. The machine should now function normally again.
- During high-load for extended periods the overheating protection may turn off the drill/driver/battery. The protection resets itself but the drill/driver cannot be restarted until it has returned to normal operating temperature. Let it cool before attempting to use it. Adverse temperatures can occur in direct sunlight and should therefore be avoided.
- The battery has low-voltage protection which operates when the battery becomes discharged. The low-voltage protection turns off the drill/driver automatically and the battery then needs to be recharged.

Changing drill and screwdriver bits

The drill/driver has a keyless chuck (1) which enables drill or screwdriver bits to be changed with one hand. Twist the chuck to the left to tighten, to the right to untighten. Make sure that the bit is tight and centred in the chuck.



Drilling tips and advice

- When drilling into slippery materials, like tiles, you should place a strong piece of tape on the area in which you wish to drill to prevent the bit from wandering.
- When drilling into metal you should first use a centre punch to make a small indentation at the spot where you wish to drill. This indentation will help hold the bit in place and prevents it from wandering when you drill.
- When drilling into metal you should also use cutting oil to assist in drilling and to preserve the machine and drill bit.
- Always use a clamp or vice to hold the workpiece.
- When drilling into walls, make sure not to damage water pipes, electricity cables or gas pipes.

Care and maintenance

- Always keep the motor ventilation openings free from dust and debris.
- Clean the product using a lightly moistened cloth. Use only mild cleaning agents, never solvents or corrosive chemicals.
- For long-term storage (months) the battery should first be fully charged.

Troubleshooting

Problem	Possible cause	Correction
The drill/driver does not run.	Flat battery.	Recharging the battery.
	The battery is overheated.	Let the battery cool down.
	Worn carbon brushes.	Contact our Customer Services.
	Faulty power switch.	
The drill/driver is slow and/or shuts off.	Blunt or damaged drill bit.	Replace the drill bit.
	Too much pressure applied.	Decrease applied pressure.
	Flat battery.	Recharging the battery.
	The battery is overheated.	Let the battery cool down.
	The motor is overheated.	Let the motor cool down.
Unusual sounds and/or strong vibrations.	The drill/driver or workpiece is not centred or incorrectly mounted.	Make sure that the drill/workpiece is centred, correctly mounted and securely fixed.
Sparks emanating from the motor.	Faulty brushes.	Contact our Customer Services.
	Winding short circuited.	
	Dirty commutator.	

Responsible disposal

This symbol indicates that this product should not be disposed of with general household waste. This applies throughout the entire EU. In order to prevent any harm to the environment or health hazards caused by incorrect waste disposal, the product must be handed in for recycling so that the material can be disposed of in a responsible manner.

When recycling your product, take it to your local collection facility or contact the place of purchase. They will ensure that the product is disposed of in an environmentally sound manner.



Specifications

Rated voltage	220–240 V~, 50–60 Hz
Speed	0–350/0–1300 rpm
Battery	18 V, 1.5 Ah lithium-ion
Chuck	Ø 10 mm
Ø drilling capacity	Steel 10 mm, wood 30 mm
Torque settings	1–19 + drill mode, max 30 Nm
Charging time approx	1 hour
Sound level	LpA = 69.9 dB(A), uncertainty KpA = 5 dB(A) LwA = 80.9 dB(A), uncertainty KwA = 5 dB(A)
Vibration value	a _{hD} = 1.121 m/s ² , K = 1.5 m/s ² (drilling into steel)
Weight	1.3 kg

Skruvdragare

Art.nr 41-2626 Modell D019-18V

Läs igenom hela bruksanvisningen före användning och spara den sedan för framtida bruk. Vi reserverar oss för ev. text- och bildfel samt ändringar av tekniska data. Vid tekniska problem eller andra frågor, kontakta vår kundtjänst (se adressuppgifter på baksidan).

Säkerhet

Generella säkerhetsinstruktioner för laddbara handverktyg

Varning! Läs alla instruktioner. Om nedanstående instruktioner inte följs kan detta leda till elektrisk stöt, brand eller allvarlig skada. Termen "elektriskt handverktyg" i varningstexten nedan refererar till ditt nätanslutna eller batteridrivna handverktyg.

SPARA DESSA INSTRUKTIONER!

1) Arbetsutrymmet

- a) **Håll arbetsutrymmet rent och väl upplyst.** Belamrade och mörka utrymmen inbjuder till olyckor.
- b) **Använd inte elektriska handverktyg i explosiva miljöer, som i närheten av lättantändliga vätskor, gaser eller damm.** Elektriska handverktyg genererar gnistor som kan antända damm och ångor.
- c) **Håll barn och åskådare på avstånd när du använder det elektriska handverktyget.** Störningsmoment kan göra att du tappar kontrollen över verktyget.

2) Elektrisk säkerhet

- a) **Det elektriska handverktygets stickpropp måste passa i vägguttaget. Modifiera aldrig stickproppen på något vis. Använd aldrig adapter tillsammans med jordade elektriska handverktyg.** Omodifierade stickproppar och passande vägguttag minskar risken för elektrisk stöt.
- b) **Undvik kroppskontakt med jordade föremål som rör, element, köksspis eller kylskåp.** Det innebär ökad risk för elektrisk stöt om din kropp är jordad.
- c) **Utsätt inte det elektriska handverktyget för regn eller våta förhållanden.** Om vatten tränger in i ett elektriskt handverktyg ökar det risken för elektrisk stöt.
- d) **Misshandla inte nätsladden. Använd aldrig nätsladden för att bära eller dra handverktyget eller för att rycka stickproppen ur vägguttaget. Håll undan nätsladden från värme, olja, vassa kanter och rörliga delar.** Skadade eller trasliga nätsladdar ökar risken för elektrisk stöt.
- e) **När du använder ett elektriskt handverktyg utomhus, använd en skarvsladd anpassad för detta ändamål.** Användning av en skarvsladd för utomhusbruk minskar risken för elektrisk stöt.

- f) **Om du måste använda ett elektriskt handverktyg på en fuktig plats, anslut verktyget till elnätet via en jordfelsbrytare.** Användning av jordfelsbrytare minskar risken för elektrisk stöt.

3) *Personlig säkerhet*

- a) **Var uppmärksam på vad du gör och använd sunt förnuft när du använder ett elektriskt handverktyg. Använd inte ett elektriskt handverktyg om du är trött eller påverkad av droger, alkohol eller medicinering.** Ett ögonblicks uppmärksamhet när du använder ett elektriskt handverktyg kan resultera i allvarlig personskada.
- b) **Använd skyddsutrustning. Bär alltid skyddsglasögon.** Användning av skyddsutrustning som andningsskydd, halksäkra skyddsskor, hjälm och hörselskydd vid behov minskar risken för personskada.
- c) **Undvik oavsiktlig start. Se till att strömbrytaren är i läge OFF innan du ansluter stickproppen till vägguttaget.** Att bära ett elektriskt handverktyg med ett finger på strömbrytaren/avtryckaren eller att ansluta ett elektriskt handverktyg till elnätet när strömbrytaren är i läge ON inbjuder till olyckor.
- d) **Ta bort alla serviceverktyg/nycklar innan du slår på det elektriska handverktyget.** Ett kvarglömt serviceverktyg på en roterande del av det elektriska handverktyget kan resultera i personskada.
- e) **Sträck dig inte för långt. Se till att du står stadigt med god balans hela tiden.** Detta möjliggör bättre kontroll i oväntade situationer.
- f) **Bär lämplig klädsel. Bär inte löst sittande kläder eller smycken. Håll undan hår, kläder och handskar från rörliga delar.** Lösa kläder, smycken eller långt hår kan fastna i rörliga delar.
- g) **Om utrustning för utsugning och uppsamling av damm finns tillgänglig, se till att denna är ansluten och används.** Användning av dessa hjälpmedel kan minska dammrelaterade faror.

4) *Användning och underhåll av det elektriska handverktyget*

- a) **Pressa inte det elektriska handverktyget. Använd ett elektriskt handverktyg som är avsett för det arbetsmoment du utför.** Korrekt elektriskt handverktyg gör jobbet bättre och säkrare med avsedd matningshastighet.
- b) **Använd inte det elektriska handverktyget om strömbrytaren inte slår på och stänger av verktyget.** Alla elektriska handverktyg som inte kan kontrolleras med strömbrytaren är farliga och måste repareras.
- c) **Ta stickproppen ur vägguttaget innan du utför några justeringar, byter tillbehör eller lägger undan det elektriska handverktyget för förvaring.** Dessa åtgärder i förebyggande syfte minskar risken för att starta det elektriska handverktyget oavsiktligt.
- d) **Förvara elektriska handverktyg som inte används utom räckhåll för barn och låt inte personer som inte är förtrogna med det elektriska handverktyget eller dessa instruktioner använda det.** Elektriska handverktyg är farliga om de kommer i händerna på ovana användare.

- e) **Underhåll elektriska handverktyg. Kontrollera om något är felinställt, om rörliga delar kärvar, om delar har gått sönder eller om något annat inträffat som kan påverka funktionen hos det elektriska handverktyget. Om något är skadat måste det repareras före användning.** Många olyckor beror på dåligt underhållna elektriska handverktyg.
- f) **Håll verktygen vassa och rena.** Ordentligt underhållna skärverktyg med vassa eggår är mindre benägna att kärva och lättare att kontrollera.
- g) **Använd det elektriska handverktyget, tillbehör och liknande enligt instruktionerna och på det sätt som är ämnat för just den typen av elektriskt handverktyg, och ta även hänsyn till arbetsförhållandena och den typ av arbete som ska utföras.** Användning av det elektriska handverktyget för andra arbeten än vad det är ämnat för kan resultera i en farlig situation.

5) Användning och service av det laddbara handverktyget

- a) **Se till att strömbrytaren är i avstängt läge innan du monterar batteriet.** Att montera batteriet på ett elektriskt handverktyg som har strömbrytaren i påslaget läge inbjuder till olyckor.
- b) **Ladda batteriet endast med en laddare som är utvald av tillverkaren.** En laddare som passar till en typ av batteri kan orsaka brandrisk om den används till en annan typ av batteri.
- c) **Använd laddbara handverktyg endast tillsammans med därför ämnade batterier.** Användning av andra batterier kan orsaka skade- och brandrisk.
- d) **När batteriet inte används, förvara det på avstånd från andra metallföremål som gem, mynt, nycklar, spikar, skruvar eller andra små metallföremål som kan skapa kontakt från den ena batteripolen till den andra.** Kortslutning av batteripolerna kan orsaka brännskador eller brand.
- e) **Om batteriet misshandlas kan syra läcka ut. Undvik kontakt med syran. Om du av misstag kommer i kontakt med syran, spola med vatten. Om syran kommer i kontakt med ögonen, uppsök läkare.** Syra som kommer från batteriet kan orsaka irritation och brännskador.

6) Service

- a) **Låt behörig personal utföra service och reparationer, och endast med originalreservdelar.** Detta garanterar att säkerheten hos det elektriska handverktyget behålls.

Särskilda säkerhetsföreskrifter för borring

- a) **Använd extrahandtag om sådant medföljer verktyget.** Om du förlorar kontrollen över verktyget kan detta leda till personskada.
- b) **Håll endast i verktygets isolerade handtag när du arbetar i miljöer där skärverktyget kan komma i kontakt med strömförande elledningar.** Om skärverktyget kommer i kontakt med strömförande elledningar kan detta leda till att verktygets metalldelar blir strömförande, vilket kan leda till elektrisk stöt.

Särskilda säkerhetsföreskrifter för batterier/batteripack

- a) Försök aldrig öppna, ta isär eller på något annat sätt skada eller göra åverkan på batteriet.
- b) Kortslut inte batteriet. Förvara inte batteriet på sådant sätt att det kan komma i kontakt med andra batterier eller med andra strömledande föremål. När batteriet inte används, håll det på avstånd från alla metallföremål, t.ex. gem, mynt, nycklar, spikar och skruvar. Dessa föremål kan skapa kontakt mellan batteriets terminaler och kortsluta batteriet, vilket kan leda till brännskador eller brand.
- c) Utsätt inte batteriet för värme eller öppen eld. Förvara inte batteriet i ihållande solljus.
- d) Utsätt inte batteriet för slag och stötar.
- e) Om batteriet läcker, låt inte vätskan komma i kontakt med hud eller ögon. Om så har skett, skölj omedelbart det utsatta området med rikligt med vatten och ta kontakt med läkare.
- f) Om batteriet eller delar av det har svalts, sök omedelbart kontakt med läkare.
- g) Håll batteriet rent och torrt.
- h) Rengör batteriet med en ren, torr trasa.
- i) Batteriet måste laddas innan det används. Följ alltid anvisningarna i den här bruksanvisningen och använd rätt laddmetod.
- j) Låt inte batteriet stå på laddning under längre perioder när det inte används.
- k) Om batteriet har lagrats under en längre period kan det behöva laddas och urladdas ett flertal gånger innan det uppnår sin fulla kapacitet.
- l) Batteriet har bäst kapacitet när det används i rumstemperatur (20 ± 5 °C).
- m) När batteriet ska lämnas till återvinning, håll batterier med olika elektrokemisk uppbyggnad separerade från varandra.
- n) Ladda batteriet endast med den medföljande laddaren. Använd ingen annan laddare än den som är speciellt utformad och avsedd för det aktuella batteriet. En laddare som är avsedd för en viss typ av batterier kan, om den används till andra batterier, leda till brand.
- o) Använd inte ett batteri som är avsett för annat verktyg än det som beskrivs i den här bruksanvisningen.
- p) Håll batteriet utom räckhåll för barn.
- q) Spara alla originaldokument som medföljer verktyget, för framtida bruk.
- r) Ta ut batteriet ur verktyget när det inte används.
- s) När du ska göra dig av med produkten ska detta ske enligt lokala föreskrifter.

Säkerhetsinstruktioner för batterier och laddare

- Försök aldrig att öppna batteriet.
- Förvara aldrig batteriet i direkt solljus eller vid temperaturer över 50 °C.
- Ladda batteriet endast i temperaturer mellan 10 och 40 °C.
- Utsätt aldrig batteriet eller laddaren för vatten.

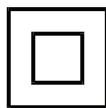
Produktmärkning med säkerhetssymboler



Läs hela bruksanvisningen.



Använd alltid hörselskydd, skyddsglasögon eller visir och andningsskydd.



Dubbelisolerad.



Endast för inomhusbruk.



Max 50 °C.

max 50°C

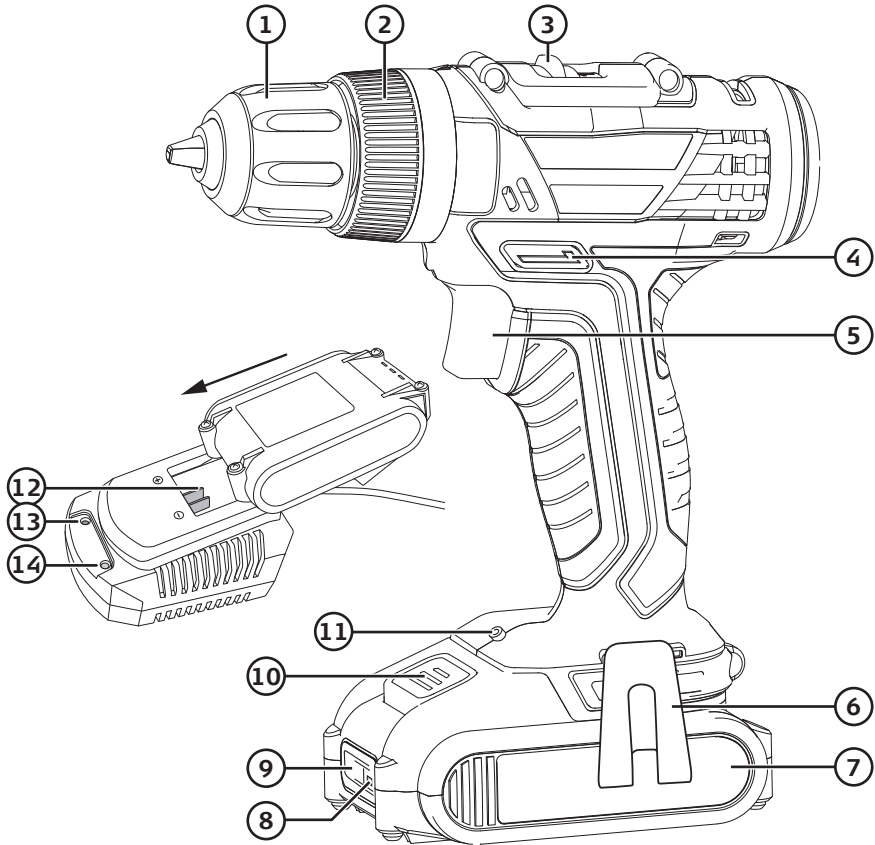


Håll batteriet på avstånd från värme, t.ex. ihållande solljus eller öppen eld, vatten och fukt. Risk för explosion.

Vibration

- Mätningen av den vibrationsnivå som anges i denna bruksanvisning har utförts enligt en mätmetod som är standardiserad i EN 62841 och kan användas vid jämförelse av olika elektriska handverktyg.
- Mätmetoden är även lämplig för preliminär bedömning av vibrationsbelastningen.
- Den angivna vibrationsnivån gäller när det elektriska handverktyget däremot används på det sätt som beskrivs i den här bruksanvisningen. Om det elektriska handverktyget används för andra ändamål och med andra tillbehör eller inte har underhållits ordentligt kan vibrationsnivån under arbetsperioden öka betydligt.
- För en exakt bedömning av vibrationsbelastningen bör även de tider beaktas när det elektriska handverktyget är frånkopplat eller är igång utan att det används. Detta reducerar vibrationsbelastningen betydligt för den totala arbetsperioden. Bestäm säkerhetsåtgärder för att skydda användaren mot vibrationernas inverkan vid alla typer av användning.

Produktbeskrivning

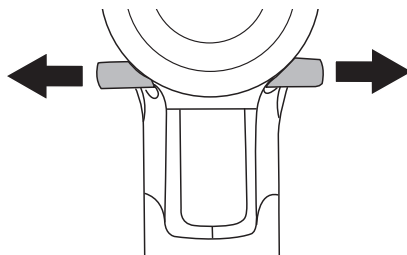


1. Nyckellös chuck
2. Vred för vridmoment: 1–19 + borrläge (⚡)
3. Reglage för hög-/lågväxel
4. Omkopplare för höger-/vänstergång
5. Strömbrytare (steglös)
6. Bälteshållare
7. Batteri 18 V/1,5 Ah
8. Indikator för batteristatus
9. Testknapp för batteristatus
10. Batterilås
11. Belysning
12. Batterianslutning
13. Indikator för pågående laddning
14. Indikator för nätanslutning och fulladdat batteri

Funktioner

Strömbrytare och omkopplare för höger- eller vänstergång

1. Välj höger- eller vänstergång med omkopplaren (4). Omkopplaren har även ett mellanläge då strömbrytaren är låst. När omkopplaren står i mellanläget kan skruvdragaren inte startas.
2. Starta och stoppa skruvdragaren genom att trycka in och släppa strömbrytaren (5). Skruvdragaren är utrustad med steglös varvtalsreglering, vilket är utmärkt speciellt vid skruvdragning. Ju mer strömbrytaren trycks in, desto högre blir varvtalet.



Belysning

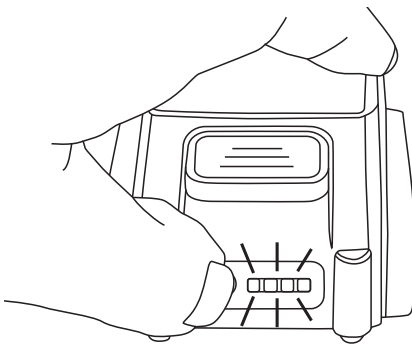
Skruvdragaren är utrustad med belysning (11). Belysningen tänds när strömbrytaren trycks in och slocknar när den släpps.

Batteriindikator

Batteriet har en batteriindikator (8) som visar batteristatus med fyra lysdioder, tryck in testknappen (9) för visning av batteristatus.

En eller flera lysdioder tänds, följande batteristatus visas:

- Batteriet är fulladdat: 1 röd och 3 gröna lysdioder.
- Batteriet är delvis urladdat: 1 röd och 1–2 gröna lysdioder.
- Batteriet är urladdat och måste laddas om: 1 röd lysdiod.



Skruvdragning

1. Skruvdragaren har ett vred (2) för inställning av lämpligt vridmoment. Vid rätt inställning släpper skruvdragaren vid det förinställda vridmomentet för att undvika att skruven dras för långt. Inställningen beror på skruvtyp och skruvstorlek samt materialet du skruvar i.
2. Börja alltid på det lägsta vridmomentet och öka stegvis för att hitta lämplig inställning.

Borrning

Ställ vredet (2) i borrläge (🔩).

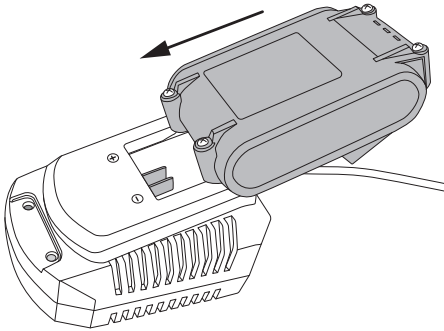
Hög-/lågväxel

Reglaget (3) har två lägen: Läge 1: 0–350 v/min, läge 2: 0–1300 v/min.

Laddning

Obs! Batteriet måste vara fulladdat innan det används första gången.

1. Ta bort batteriet från skruvdragaren genom att trycka in batterilåset (10) och dra ur batteriet. Om batteriet är mycket varmt efter t.ex. hård belastning ska det svalna innan laddningen påbörjas.
2. Anslut laddaren till ett vägguttag. Lysdioden på laddaren lyser grönt.
3. Placera batteriet i laddaren. Lysdioden lyser med fast rött sken under laddningen och övergår till fast grönt sken när laddningen är klar.



Laddaren indikerar laddstatus enligt följande:

Utan anslutet batteri:

- Fast grönt sken: Laddaren ansluten till vägguttaget.

Med anslutet batteri:

- Fast rött sken: Laddning pågår.
- Fast grönt sken: Laddning klar, batteriet fulladdat.
- Laddtiden är ca 1 timme.
- Batteriet kan bli varmt vid laddning. Detta är helt normalt.
- Laddaren och batteriet fungerar bäst vid normal rumstemperatur. Ladda inte i direkt solljus eller i lägre temperaturer. Temperaturområde för laddning är 10–40 °C.
- När batteriet blir urladdat stänger batteriets elektronik av skruvdragaren automatiskt.
- Vid längre tids förvaring (månader) ska batteriet vara laddat.

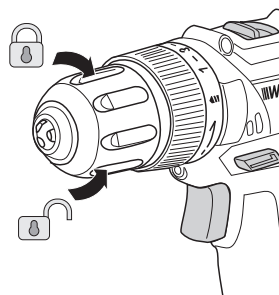
Överbelastning och skydd

Maskinen/batteriet är utrustat med ett antal skydd för att undvika skada på maskin och batteri.

- Vid kortvarig hög belastning kan överbelastningsskyddet stänga av maskinen/batteriet. Skyddet är självåterställande. Släpp strömbrytaren och vänta några sekunder, se till att maskinen är utan belastning och starta den på nytt. Den ska nu fungera normalt igen.
- Vid hög belastning under längre tid kan ett överhettningsskydd stänga av maskinen/batteriet. Skyddet är självåterställande men maskinen går inte att starta förrän temperaturen sjunkit till en säker nivå. Låt den svalna innan du försöker starta. Skadliga temperaturer kan även uppstå vid direkt solljus vilket ska undvikas.
- Batteriet har ett underspänningsskydd vilket träder in när batteriet blir urladdat. Underspänningsskyddet stänger då av maskinen automatiskt och batteriet måste laddas.

Byte av borr eller bits

Maskinen har en nyckellös chuck (1) som gör det enkelt att byta borr eller bits med en hand. Vrid till vänster för att greppa, till höger för att lossa. Försäkra dig om att borsten sitter ordentligt fast och är centrerad i chucken.



Råd och tips om borring

- Vid borring i glatta material, t.ex. klinker, bör du sätta en kraftig tejpbitt där du ska borra så att borsten inte glider åt sidan.
- Vid borring i metall bör du först använda en körnare och göra en liten grop där du ska borra. Denna grop fixerar sedan borsten på rätt ställe så att den inte glider åt sidan.
- Vid borring i metall bör du även använda gäng-/skärolja för att spara på verktygen.
- Använd alltid tving/skruvstycke för att hålla fast ämnet som ska bearbetas.
- Vid borring i vägg, se till att inte skada vatten-, el-, gasledning etc.

Skötsel och underhåll

- Håll alltid motorns ventilationsöppningar fria från spån och skräp.
- Rengör produkten med en lätt fuktad trasa. Använd ett mildt rengöringsmedel, aldrig lösningsmedel eller frätande kemikalier.
- Vid längre tids förvaring (månader) ska batteriet vara laddat.

Felsökning

Problem	Möjlig orsak	Åtgärd
Maskinen går ej.	Batteriet urladdat.	Ladda batteriet.
	Batteriet överhettat.	Låt batteriet svalna.
	Slitna kolborstar.	Kontakta kundtjänst.
	Fel på strömbrytaren.	
Maskinen går sakta och/eller stängs av.	Slö eller skadad borr.	Byt ut borren.
	För hård matning.	Minska på matningen.
	Batteriet urladdat.	Ladda batteriet.
	Batteriet överhettat.	Låt batteriet svalna.
	Motorn är överhettad.	Låt maskinen svalna.
Ovanliga ljud och/eller höga vibrationer.	Borren/verktyget är inte centrerat eller är felaktigt monterat.	Kontrollera att borren/verktyget är centrerat, korrekt monterat och åtdraget.
Gnistbildning i motorn.	Fel på kolborstarna.	Kontakta kundtjänst.
	Lindning kortsluten.	
	Kollektorn smutsig.	

Avfallshantering

Denna symbol innebär att produkten inte får kastas tillsammans med annat hushållsavfall. Detta gäller inom hela EU. För att förebygga eventuell skada på miljö och hälsa, orsakad av felaktig avfallshantering, ska produkten lämnas till återvinning så att materialet kan tas omhand på ett ansvarsfullt sätt. När du lämnar produkten till återvinning, använd dig av de returhanteringssystem som finns där du befinner dig eller kontakta inköpsstället. De kan se till att produkten tas om hand på ett för miljön tillfredställande sätt.



Specifikationer

Nätanslutning	220–240 V~, 50–60 Hz
Varvtal	0–350/0–1300 v/min
Batteri	18 V, 1,5 Ah litiumjon
Chuck	Ø 10 mm
Borrkapacitet	Stål Ø 10 mm, trä Ø 30 mm
Ställbart moment	1–19 + borrläge, max 30 Nm
Laddtid	Ca 1 timme
Ljud	LpA = 69,9 dB(A), onoggrannhet KpA = 5 dB(A) LwA = 80,9 dB(A), onoggrannhet KwA = 5 dB(A)
Vibrationsvärde	a _{hD} = 1,121 m/s ² , K = 1,5 m/s ² (borrning i metall)
Vikt	1,3 kg

Drill

Art.nr. 41-2626 Modell D019-18V

Les brukerveiledningen grundig før produktet tas i bruk og ta vare på den for framtidig bruk. Vi reserverer oss mot ev. feil i tekst og bilde, samt forandringer av tekniske data. Ved tekniske problemer eller spørsmål, ta kontakt med vårt kundesenter (se opplysninger på baksiden).

Sikkerhet

Generelle sikkerhetsinstruksjoner for ladbart håndverktøy

Advarsel! Les gjennom hele brukerveiledningen. Hvis man ikke følger instruksjonene nedenfor kan det føre til elektrisk støt, brann eller andre alvorlig skade. Med elektrisk håndverktøy i den følgende teksten menes verktøy som enten er koblet til strømnettet eller er batteridrevet.

TA VARE PÅ DENNE VEILEDNINGEN.

1) Arbeidsplassen

- a) **Hold arbeidsplassen ren, ryddig og godt opplyst.** En uoversiktlig og/eller dårlig opplyst arbeidsplass kan forårsake ulykker.
- b) **Ikke bruk elektriske håndverktøy i eksplosjonsfarlige miljøer, som for eksempel nær lettantennelige væsker, gasser eller støv.** Elektrisk håndverktøy kan danne gnister, som igjen kan antenne støv og trespon.
- c) **Hold barn og eventuelle andre personer på god avstand når håndverktøy er i bruk.** Forstyrrelser kan føre til at man mister kontrollen over verktøyet.

2) Sikkerhet ved bruk av elektrisk strøm

- a) **Støpselet til det elektriske verktøyet må passe inn i strømuttaket. Støpselet må ikke endres på. Bruk aldri adapter sammen med elektrisk håndverktøy som krever jording.** Ved bruk av originale støpsler reduseres faren for elektrisk støt.
- b) **Unngå kroppskontakt med jordede gjenstander, som rør, ovner, komfyrer og kjøleskap.** Kroppskontakt med disse øker faren for elektrisk støt.
- c) **Elektrisk håndverktøy må ikke utsettes for regn eller større mengder fuktighet.** Hvis det kommer vann inn i et elektrisk håndverktøy, øker faren for elektrisk støt.
- d) **Påse at strømledningen ikke blir skadet. Bær aldri verktøyet i strømledningen. Trekk heller ikke i strømledningen når støpselet skal tas ut av strømuttaket. Hold ledningen unna varme, olje, skarpe kanter og bevegelige deler.** Skadede eller deformerte ledninger kan øke faren for elektrisk støt.
- e) **Ved bruk av elektrisk håndverktøy utendørs, skal man benytte en skjoteledning som er beregnet til dette formålet.** Når en skjoteledning som er beregnet til utendørs bruk benyttes, reduseres faren for elektrisk støt.

- f) **Dersom det elektriske håndverktøyet skal brukes i fuktige omgivelser, må verktøyet kobles til strømmettet via en jordfeilbryter.** Bruk av jordfeilbryter reduserer faren for elektrisk støt.

3) *Personlig sikkerhet*

- a) **Vær våken og fornuftig når du bruker et elektrisk verktøy. Ikke bruk elektriske håndverktøy når du er trett eller påvirket av alkohol, andre rusmidler eller sterke medisiner.** Når du bruker elektrisk håndverktøy kan et lite øyeblikks uoppmerksomhet resultere i store personskader.
- b) **Bruk verneutstyr. Benytt alltid vernebriller.** Bruk av verneutstyr som støvmaske, sklisliske såler på skoene, hjelm og hørselsvern ved behov, reduserer faren for personskade.
- c) **Unngå uønsket oppstart. Påse at strømbryteren står i posisjon OFF før strømmen kobles til strømmuttaket.** Det å bære et elektrisk håndverktøy med en finger på avtrekkeren/strømbryteren, eller å koble til strømmen mens strømbryteren står i posisjon ON, kan føre til ulykker.
- d) **Fjern alle nøkler/serviceverktøy før det elektriske håndverktøyet startes.** Et gjenglemt serviceverktøy på en roterende del, kan føre til personskader.
- e) **Strek deg ikke så langt at du mister balansen. Påse at du står stødig og har god balanse i kroppen under hele arbeidsoperasjonen.** Da er du bedre forberedt når uventede situasjoner oppstår.
- f) **Benytt fornuftige arbeidsklær. Ikke bruk løstsittende klær og smykker. Hold hår, klær og hansker unna bevegelige deler.** Løstsittende klær, smykker eller langt hår, kan feste seg i bevegelige deler.
- g) **Hvis det er mulig å koble en støvsamler/støvsuger til, bør dette gjøres.** Ved bruk av slike hjelpemidler, kan en redusere faren for støvrelaterte skader og ulykker.

4) *Bruk og vedlikehold av det elektriske håndverktøyet*

- a) **Ikke press et elektrisk håndverktøy. Bruk elektriske håndverktøy som er beregnet til den arbeidsoperasjonen du skal utføre.** Riktig hastighet på matingen er viktig for å utføre bedre og sikrere arbeid.
- b) **Ikke bruk det elektriske håndverktøyet dersom det er feil på strømbryteren og den ikke skrur verktøyet på/av med din kontroll.** Alle elektriske håndverktøy, som ikke kan kontrolleres med en strømbryter, er farlige og må repareres.
- c) **Trekk ut støpselet før justeringer utføres, ved skifte av tilbehør eller når verktøyet legges til oppbevaring.** Dette for å unngå at elektrisk håndverktøy får en ukontrollert start.
- d) **Oppbevar elektrisk håndverktøy utilgjengelig for barn. Påse også at elektrisk håndverktøy er utilgjengelig for personer som ikke har fått tilstrekkelig opplæring på eller er fortrolig med verktøyet.** Elektriske håndverktøy kan være farlige dersom de kommer i hendene på ukyndige.

- e) **Hold det elektriske håndverktøyet ved like. Kontroller at verktøyet ikke er feilinnstilt, at bevegelige deler ikke beveger seg usymmetrisk, at ingen deler er skadet eller at det elektriske håndverktøyet har andre feil som kan påvirke dets funksjon. Dersom noe er skadet må dette repareres før verktøyet tas i bruk.** Mange ulykker skyldes dårlig eller manglende vedlikehold.
- f) **Hold verktøyene skarpe og rene. Påse også at det elektriske verktøyet holdes skarpt.** Godt vedlikeholdt skjæreverktøy, med skarpe egger, er lettere å kontrollere.
- g) **Følg instruksjonen, ta hensyn til arbeidsforholdene og hva slags type arbeid som skal utføres.** Bruk av elektrisk håndverktøy til andre arbeidsoperasjoner enn det som det er beregnet til, kan skape farlige situasjoner.

5) *Bruk og service av det ladbare håndverktøyet*

- a) **Påse at strømbryteren er skrudd av før du monterer batteriet.** Hvis batteriet monteres på et elektrisk håndverktøy med strømbryteren skrudd på, kan det føre til ulykker.
- b) **Lad batteriene kun med den laderen som er bestemt av produsenten.** Lading av batterier med feil type lader kan føre til brann.
- c) **Ladbare håndverktøy må kun brukes sammen med dertil egnede batterier.** Bruk av annet batteri kan føre til skader og/eller brann.
- d) **Når batteriet ikke er i bruk, må det oppbevares på god avstand fra metallgjenstander som; mynter, nøkler, spiker, skruer o.l. som kan lede strøm fra den ene batteripolen til den andre.** Kortslutning av batteripolene kan føre til brann og brannskader.
- e) **Hvis batteriet vanskjøttes kan syre lekke ut. Unngå kontakt med batterisyre. Hvis du, ved et uhell, skulle komme i kontakt med batterisyre må du straks skylle deg med vann. Dersom syren kommer i kontakt med øynene, må lege oppsøkes.** Syre fra batteriet kan føre til irritasjon og brannskader.

6) *Service*

- a) **La profesjonelle fagfolk utføre service og reparasjoner. Benytt kun originale reservedeler.** Dette for å opprettholde sikkerheten ved bruk av det elektriske håndverktøyet.

Spesielle sikkerhetsforskrifter for boring

- a) **Bruk støtte-/ekstrahåndtaket dersom verktøyet leveres med et slikt.** Hvis du mister kontrollen over verktøyet kan det føre til personskader.
- b) **Hold i den isolerte delen på håndtaket når du jobber i miljøer der skjæreverktøyet kan komme i kontakt med strømførende kabler. Hvis skjæreverktøyet kommer i kontakt med strømførende strømledninger kan det føre til at verktøyets metalldele blir strømførende.** Dette kan føre til at operatøren får elektrisk støt.

Spesielle sikkerhetsforskrifter for batterier/batteripakker

- a) Batteriet må ikke åpnes eller skades på annen måte.
- b) Kortslett ikke batteriet. Batteriet må ikke oppbevares slik at det kan komme i kontakt med andre batterier eller andre strømførende gjenstander. Når batteriet ikke er i bruk skal det holdes unna alle gjenstander av metall som f.eks. binders, mynter, nøkler, spikre og skruer. Disse gjenstandene kan lage kontakt mellom batteriets poler og kortslutte det. Dette kan i sin tur føre til brann og brannskader.
- c) Utsett ikke batterier for varme eller åpen flamme. Batteriet må ikke oppbevares i vedvarende sollys.
- d) Utsett aldri batteriet for slag og støt.
- e) Hvis batteriet lekker må ikke væsken komme i kontakt med hud eller øyne. Hvis det skjer må man skylle det utsatte området umiddelbart med rikelig med vann og kontakte lege.
- f) Hvis batteriet eller deler av det er blitt svelget må man umiddelbart kontakte lege.
- g) Hold batteriet tørt og rent.
- h) Batteriet rengjøres med en ren, tørr klut.
- i) Batteriet må lades før det tas i bruk. Følg alltid anvisningene i denne brukerveiledningen og bruk riktig lademetode.
- j) La ikke batteriet bli stående til lading over tid hvis det ikke er i bruk.
- k) Hvis batteriet er blitt lagret over en lengre periode kan det hende at det må lades opp og lades ut igjen flere ganger før det oppnår full kapasitet.
- l) Batteriet yter best når det brukes ved romtemperatur (20 °C, ±5 °C).
- m) Når batteriet skal leveres til resirkulering skal batterier med forskjellige elektrokjemisk oppbygning holdes adskilt.
- n) Batteriet skal kun lades med den medfølgende laderen. Ikke bruk andre ladere til batteriet enn det som er spesialutformet og beregnet til akkurat dette. En lader som er beregnet til en viss type batterier kan, hvis det brukes til andre typer, føre til brann.
- o) Ikke bruk batteri som er beregnet brukt til et annet verktøy enn det som er beskrevet her i denne brukerveiledningen.
- p) Hold batteriet utenfor barns rekkevidde.
- q) Ta godt vare på alle originaldokumenter som følger med verktøyet.
- r) Ta batteriene ut av verktøyet når det ikke er i bruk.
- s) Når produktet skal kasseres, må det skje i henhold til lokale forskrifter.

Sikkerhetsinstruksjoner for batterier og ladere

- Batteriet må ikke åpnes.
- Oppbevar aldri batterier i direkte sollys eller ved temperaturer over 50 °C.
- Temperaturen ved lading av batterier bør være mellom 10 °C og 40 °C.
- Batterier og lader må ikke utsettes for vann.

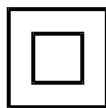
Produktmerking med sikkerhetssymboler



Les hele bruksanvisningen.



Bruk alltid hørselsvern, vernebriller eller visir og støvmaske.



Dobbel isolasjon.



Kun til innendørs bruk.



max 50°C

Maks 50 °C.

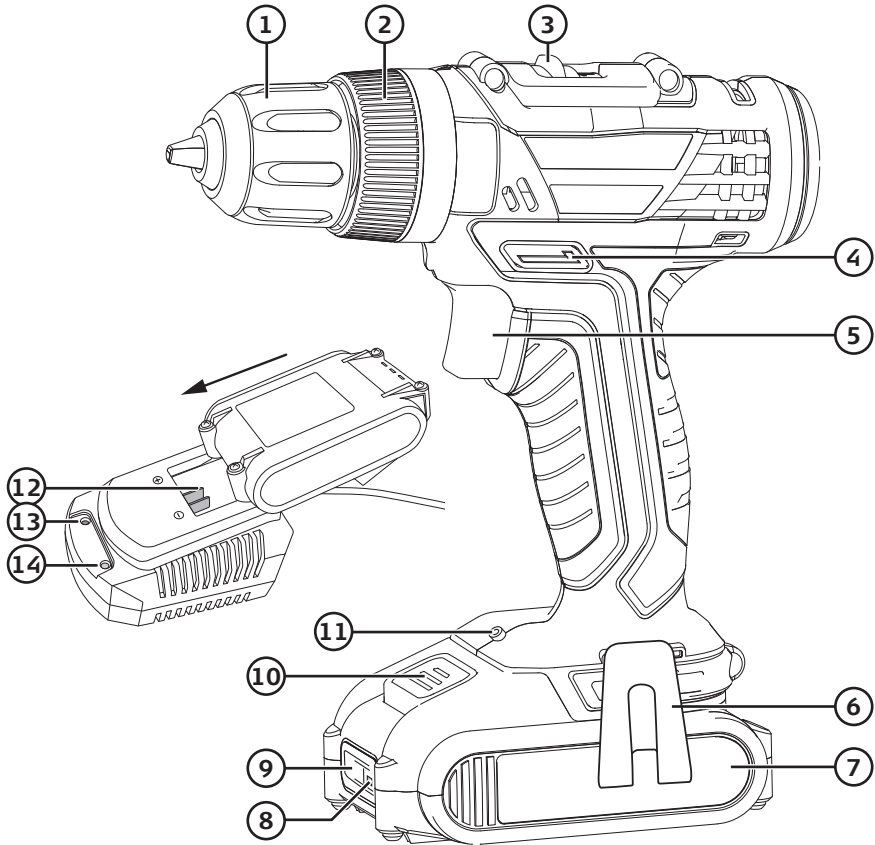


Hold batteriet på god avstand fra varme, som f.eks. vedvarende sollys, åpen flamme og vann/fuktighet. Eksplosjonsfare.

Vibrasjon

- Måling av vibrasjonsnivået som oppgis i denne bruksanvisningen er utført i henhold til målemetoden i EN 62841 og kan brukes til sammenlikning av forskjellige elektriske håndverktøy.
- Målemetoden er også egnet til forhåndsvurdering av vibrasjonsbelastningen.
- Vibrasjonsnivået som er oppgitt gjelder når det elektriske håndverktøyet brukes sånn som det beskrives i denne bruksanvisningen. Hvis verktøyet benyttes til andre oppgaver og/eller med annet tilbehør, eller ikke har blitt vedlikeholdt ordentlig, kan vibrasjonsnivået øke betydelig.
- For å få en riktig vurdering av vibrasjonsbelastningen må også tidene tas hensyn til når det elektriske håndverktøyet er frakoblet eller er i gang uten at det brukes. Dette reduserer vibrasjonsbelastningen betraktelig i den totale arbeidsperioden. Man må foreta sikkerhetstiltak for å beskytte brukeren mot vibrasjoner ved alle typer bruk.

Produktbeskrivelse

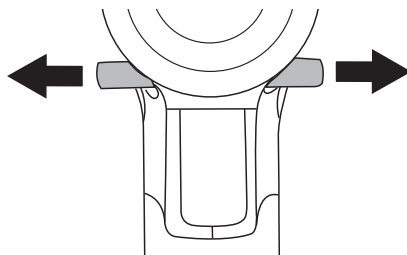


1. Nøkkelløs chuck
2. Ratt for innstilling av dreiemoment: 1–19 + boreinnstilling (⚡)
3. Bryter for høyt/lavt gir
4. Omkobler for rotasjonsretning
5. Strømbryter (trinnløs)
6. Belteholder
7. Batteri 18 V/1,5 Ah
8. Indikasjon for batteristatus
9. Testbryter for batteristatus
10. Batterilås
11. Belysning
12. Batteritilkobling
13. Indikator for pågående lading
14. Indikator for nettilkobling og fulladet batteri

Funksjoner

Strømbryter og bryter for vanlig drilling og revers

1. Velg boreretning med bryteren (4). Bryteren har også en mellomposisjon hvor strømbryteren er låst. Hvis bryteren stilles i mellomposisjon kan ikke maskinen startes.
2. Maskinen startes og stoppes ved å trykke inn og slippe opp strømbryteren (5). Maskinen er utstyrt med trinnløs turtallregulering, noe som er utmerket, spesielt når man skal skru. Jo lengre du trykker avtrekkeren inn, desto høyere blir turtallet.



Belysning

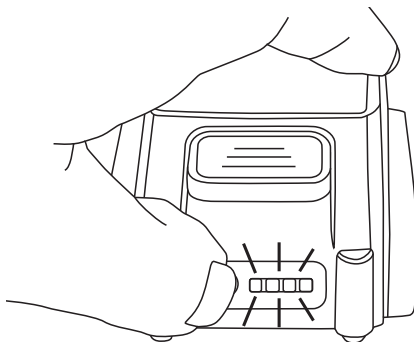
Drillen er utstyrt med belysning (11). Belysningen tennes når strømbryteren trykkes inn og stopper når den slippes opp.

Batteriindikator

Batteriet har en batteriindikator (8) som viser batteristatus med fire dioder. Trykk inn testknappen (9) for visning av batteristatus.

En eller flere lysdioder tennes og varsler om at:


- Batteriet er fulladet: 1 rød og 3 grønne lysdioder.
- Batteriet er delvis utladet: 1 rød og 1–2 grønne lysdioder.
- Batteriet er utladet og må lades om: 1 rød lysdiode.



Skrutrekker

1. Skrutrekkeren har et ratt (2) for innstilling av passende dreiemoment. Ved riktig innstilling kan man unngå at skruen trekkes for langt inn. Innstillingen er avhengig av skruetype og -størrelse, samt type materiale man skal jobbe i.
2. Start alltid med det laveste dreiemomentet og øk trinnvis til du oppnår ønsket nivå.

Boring

Still inn rattet (2) i borremodus ().

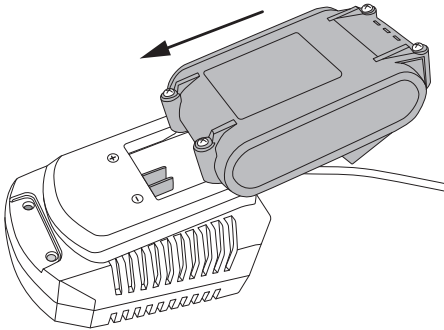
Høy- og lavgir

Strømbryteren (3) har to innstillinger: Posisjon 1: 0–350 o/min, posisjon 2: 0–1300 o/min.

Lading

Obs! Før første gangs bruk må batteriet være fulladet.

1. Batteriet tas ut av drillen ved å trykke inn batterilåsen (6) og dra batteriet ut. Hvis batteriet er varmt, f.eks. etter hard belastning, må det avkjøles før ladingen starter.
2. Støpselet kobles til et strømuttak. Lysdioden på laderen lyser grønt.
3. Plasser batteriet i laderen. Lysdioden på batteriet lyser rødt ved lading og skifter til grønt når ladingen er fullført.



Laderen indikerer ladestatusen slik:

Uten batteri koblet til:

- Grønt lys: Lader koblet til strømuttak.

Med batteri koblet til:

- Rødt lys: Lading pågår.
 - Grønt lys: Lading fullført (batteriet er fulladet).
-
- Ladetiden er ca. 1 time.
 - Batteriet kan bli litt varmt ved lading. Dette er helt normalt.
 - Både lader og batteri fungerer best ved normal romtemperatur. Lad ikke i direkte sollys eller ved veldig lave temperaturer. Omgivelsestemperatur ved lading bør ligge på 10–40 °C.
 - Når batteriet er utladet vil elektronikken i batteriet skru av maskinen automatisk.
 - Ved lengre oppbevaring (flere måneder) skal batteriet være ladet.

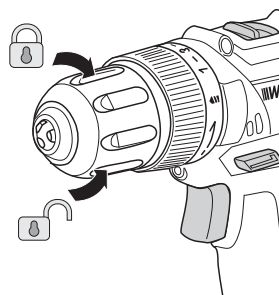
Overbelastning og beskyttelse

Maskinen/batteriet er utstyrt med diverse beskyttelser for å unngå skader på maskinen og batteriet.

- Ved kortvarig høy belastning kan overbelastningsvernet stenge maskinen/batteriet. Beskyttelsen stilles tilbake av seg selv. Slipp strømbryteren og vent i noen sekunder. Pass på at boremaskinen ikke er belastet og start den på nytt. Nå skal boremaskinen fungere vanlig igjen.
- Ved høy belastning over lengre tid kan et overopphetingsvern skru av maskinen/batteriet. Beskyttelsen stilles tilbake selv etter at temperaturen har sunket til et sikkert nivå. La den avkjøles før den startes på nytt. For høye temperaturer kan også oppstå ved direkte sollys. Utsett derfor ikke maskinen for direkte sollys over tid.
- Batteriet har et underspenningsvern som virker inn når batteriet er utladet. Underspenningsvernet skrur av maskinen automatisk og batteriet må lades.

Skifte av bor eller bits

Verktøyet har en nøkkelløs chuck (1) som gjør skifte av bor eller bits svært enkelt for hånd. Drei til venstre for å skru igjen og til høyre for å løsne. Forviss deg om at boret sitter godt fast og at det er sentrert i chucken.



Råd og tips om boring

- Ved boring i materialer med glatt overflate, som i keramiske fliset etc., bør man feste en kraftig teipbit der man skal bore. Dette for at boret ikke skal gli bort fra punktet du ønsker å bore.
- Ved boring i metall bør du først bruke en kjøerner og lage en grop der du skal bore. Denne fordypningen vil hindre at boret glir sideveis når boringen starter.
- Ved boring i metall bør du også bruke gjenge-/skjæreoilje for å spare verktøyet.
- Bruk alltid tvinge/skruestikke for å holde emnet som skal bearbejdes fast.
- Ved boring i vegg må man forsikre seg om at det ikke bores i vannrør, strømkabler, gassledninger etc.

Stell og vedlikehold

- Hold alltid motorens ventilasjonsåpninger fri for spon og smuss.
- Rengjør produktet med en lett fuktet klut. Bruk et mildt rengjøringsmiddel, aldri løsningsmidler eller etsende kjemikalier.
- Ved lengre oppbevaring (flere måneder) skal batteriet være ladet.

Feilsøking

Problem	Mulig årsak	Tiltak
Maskinen vil ikke starte.	Batteriet er utladet.	Lade batteriet.
	Batteriet er overopphetet.	La batteriet avkjøles.
	Slitte kullbørster.	Kontakt kundeservicen.
	Feil på strømbryteren.	
Maskinen går sakte og/eller skruer seg av.	Sløvt eller skadet bor.	Skift det.
	For hard mating.	Reduser matingen.
	Batteriet er utladet.	Lade batteriet.
	Batteriet er overopphetet.	La batteriet avkjøles.
	Motoren er overopphetet.	La motoren avkjøles.
Ulyd fra maskinen og/eller store vibrasjoner.	Boret/verktøyet er ikke sentrert eller er feil montert.	Kontroller at boret/verktøyet er sentrert og riktig montert og trukket til.
Gnistdannelse i motoren.	Feil på kullbørstene.	Kontakt kundeservicen.
	Spole kortsluttet.	
	Smuss på kollektoren.	

Avfallshåndtering

Symbolet viser til at produktet ikke skal kastes sammen med husholdningsavfallet. Dette gjelder i hele EØS-området. For å forebygge eventuelle skader på helse og miljø som følge av feil håndtering av avfall, skal produktet leveres til gjenvinning, slik at materialet blir tatt hånd om på en ansvarsfull måte. Benytt miljøstasjonene som er der du befinner deg eller ta kontakt med forhandler. De vil ta hånd om produktet på en miljømessig tilfredsstillende måte.



Spesifikasjoner

Strømtilkobling	220–240 V~, 50–60 Hz
Turtall	0–350/0–1300 o/min
Batteri	18 V, 1,5 Ah li-ion
Chuck	Ø 10 mm
Borekapasitet	Stål Ø 10 mm, tre Ø 30 mm
Justerbart moment	1–19 + boremodus, maks 30 Nm
Ladetid	ca. 1 time
Lyd	LpA = 69,9 dB(A), unøyaktighet KpA = 5 dB(A) LwA = 80,9 dB(A), unøyaktighet KwA = 5 dB(A)
Vibrasjonsverdi	a _{hD} = 1,121 m/s ² , K = 1,5 m/s ² (boring i metall)
Vekt	1,3 kg

Porakone

Tuotenro 41-2626 Malli D019-18V

Lue käyttöohje ennen tuotteen käyttöönottoa ja säilytä se tulevaa tarvetta varten. Pidätämme oikeuden teknisten tietojen muutoksiin. Emme vastaa mahdollisista teksti- tai kuvavirheistä. Jos tuotteeseen tulee teknisiä ongelmia, ota yhteys asiakaspalveluun (yhteystiedot käyttöohjeen lopussa).

Turvallisuus

Ladattavia käsityökaluja koskevat yleiset turvallisuusohjeet

Varoitus! Lue kaikki ohjeet. Alla olevien ohjeiden noudattamatta jättäminen saattaa johtaa sähköiskuun, tulipaloon tai/tai vakavaan loukkaantumiseen. Varoituskein termi sähkökäyttöinen käsityökalu tarkoittaa verkkovirralla tai akulla toimivaa käsityökalua.

SÄÄSTÄ NÄMÄ OHJEET.

1) Työtilat

- a) **Pidä työtilat puhtaina ja hyvin valaistuin.** Täynnä tavaraa olevat ja pimeät tilat lisäävät onnettomuusriskiä.
- b) **Älä käytä sähkökäyttöistä käsityökalua räjähdysriskissä ympäristössä, kuten helposti syttyvien nesteiden, kaasujen tai pölyn lähellä.** Sähkökäyttöiset käsityökalut muodostavat kipinöitä, jotka saattavat sytyttää pölyn tai höyryt.
- c) **Pidä lapset ja sivulliset loitolla, kun käytät sähkökäyttöisiä käsityökaluja.** Tarkkaavaisuuden menettäminen saattaa johtaa onnettomuuteen.

2) Sähköturvallisuus

- a) **Sähkökäyttöisen käsityökalun pistokkeen tulee sopia pistorasiaan. Älä muuta pistoketta millään tavalla. Älä käytä sovitinta maadoitettujen sähkökäyttöisten käsityökalujen kanssa.** Muuttamaton pistoke ja sopiva pistorasia vähentävät sähköiskun vaaraa.
- b) **Vältä koskettamasta maadoitettuja esineitä, kuten putkia, lämpöpattereita, hellaa tai jääkaappia.** Sähköiskun vaara kasvaa, jos kehosi on maadoitettu.
- c) **Älä altista sähkökäyttöistä käsityökalua sateelle äläkä käytä sitä kosteissa olosuhteissa.** Veden joutuminen sähkökäyttöiseen käsityökaluun lisää sähköiskun vaaraa.
- d) **Käsittele virtajohtoa varoen. Älä kanna laitetta virtajohdosta, äläkä irrota pistoketta pistorasiasta johdosta vetämällä. Älä altista virtajohtoa kuumuudelle, öljyille, teräville reunoille tai liikkuville osille.** Sotkeutuneet tai vahingoittuneet virtajohdot lisäävät sähköiskun vaaraa.
- e) **Kun käytät sähkökäyttöistä käsityökalua ulkona, käytä ainoastaan ulko- käyttöön sopivia jatkojohtoja.** Ulkokäyttöön sopivan jatkojohdon käyttäminen pienentää sähköiskun vaaraa.

- f) **Jos sähkökäyttöistä käsityökalua käytetään kosteassa ympäristössä, se tulee liittää sähköverkkoon vikavirtasuojakytkimen kautta.** Vikavirtasuojakytkimen käyttö vähentää sähköiskun vaaraa.

3) *Oma turvallisuutesi*

- a) **Ole huolellinen ja käytä tervettä järjeä, kun käytät sähkökäyttöistä käsityökalua. Älä käytä sähkökäyttöistä käsityökalua, jos olet väsynyt tai päihteiden, lääkkeiden tai alkoholin vaikutuksen alainen.** Lyhyenkin hetken kestävä tarkkaavaisuuden herpaantuminen saattaa johtaa vakavaan loukkaantumiseen.
- b) **Käytä suojavarusteita. Käytä aina suojalaseja.** Suojavarusteiden, kuten hengityssuojaimen, liukuestekenkien, kypärän ja kuulosuojaimien, käyttäminen vähentää loukkaantumisvaaraa.
- c) **Vältä laitteen tahatonta käynnistämistä. Varmista, että virtakytkin on asennossa OFF ennen kuin liität pistokkeen pistorasiaan.** On erittäin vaarallista kantaa sähkökäyttöistä käsityökalua sormi virtakytkimellä tai liittää sähkökäyttöinen käsityökalu pistorasiaan virtakytkimen ollessa ON-asennossa.
- d) **Poista kaikki huoltotyökalut/avaimet, ennen kuin käynnistät sähkökäyttöisen käsityökalun.** Sähkökäyttöisen työkalun liikkuvan osan päälle unohdettu työkalu saattaa johtaa onnettomuuteen.
- e) **Älä kurota liian pitkälle työskennellessäsi. Varmista, että seisot tasapainoisesti työn jokaisessa vaiheessa.** Näin hallitset laitteen paremmin ylläpitävissä tilanteissa.
- f) **Käytä tarkoituksenmukaisia vaatteita. Älä käytä löysiä vaatteita tai koruja. Pidä hiukset, vaatteet ja käsineet loitolla koneen liikkuvista osista.** Löysät vaatteet, korut tai pitkät hiukset saattavat takertua liikkuviin osiin.
- g) **Jos käytössäsi on pölynpoistojärjestelmä, käytä sitä.** Sen käyttö vähentää pölyyn liittyviä vaaroja.

4) *Sähkökäyttöisten käsityökalujen käyttäminen ja huoltaminen*

- a) **Älä pakota sähkökäyttöistä käsityökalua. Käytä vain sellaista sähkökäyttöistä käsityökalua, joka soveltuu suunnittelemaasi työtehtävään.** Oikean työkalun käyttö on tehokkaampaa ja turvallisempaa sille tarkoitettulla syöttönopeudella.
- b) **Älä käytä sähkökäyttöistä käsityökalua, jos virtakytkin ei toimi.** Kaikki sähkökäyttöiset käsityökalut, joita ei voida hallita virtakytkimellä, ovat vaarallisia ja ne tulee korjata.
- c) **Irrota pistoke pistorasiasta ennen kuin teet sähkökäyttöiseen käsityökaluun säätöjä, vaihdat sen varusteita tai ennen kuin asetat sen säilytykseen.** Nämä ennaltaehkäisevät toimenpiteet vähentävät sähkökäyttöisen käsityökalun tahatonta käynnistymistä.
- d) **Säilytä sähkökäyttöisiä käsityökaluja lasten ulottumattomissa. Älä luovuta sähkökäyttöistä käsityökalua henkilöille, jotka eivät tunne sitä tai sen käyttöohjetta.** Sähkökäyttöiset käsityökalut ovat vaarallisia tottumattomien käyttäjien käsissä.

- e) **Huolla sähkökäyttöisiä käsityökaluja. Varmista, että kaikki asetukset on tehty oikein, kaikki liikkuvat osat liikkuvat esteettä ja että mikään muu seikka ei häiritse sähkökäyttöisen käsityökalun toimintaa. Jos jokin osa on vahingoittunut, se tulee korjata ennen käyttöä.** Monet onnettomuudet johtuvat huonosti huolletuista sähkökäyttöisistä käsityökaluista.
- f) **Pidä työkalut puhtaina ja terävinä.** Kunnolla huolletut terävät terätyökalut vähentävät juuttumisen vaaraa, ja niitä on helpompi hallita.
- g) **Käytä sähkökäyttöistä käsityökalua, sen varusteita tms. ohjeiden mukaisesti ja sellaisella tavalla, joka sopii kyseiselle sähkökäyttöiselle käsityökalulle ja ota myös huomioon työskentelyolosuhteet ja suoritettava työ.** Sähkökäyttöisen käsityökalun käyttäminen muihin kuin sille tarkoitettuihin työtehtäviin saattaa johtaa vaaratilanteeseen.

5) *Ladattavien käsityökalujen käyttäminen ja huoltaminen*

- a) **Varmista, että laite on sammutettu virtakytkimestä, ennen kuin asennat akun.** Jos asennat akun käsityökaluun, jonka virtakytkin on päällä, onnettomuuden vaara kasvaa.
- b) **Lataa akku ainoastaan valmistajan hyväksymällä laturilla.** Tietyn tyyppiselle akulle tarkoitettu laturi saattaa aiheuttaa tulipalon, jos sitä käytetään vääräntyyppisen akun lataamiseen.
- c) **Käytä akkukäyttöisessä käsityökalussa vain siihen soveltuvia akkuja.** Vääräntyyppisten akkujen käyttäminen saattaa johtaa onnettomuuteen tai tulipaloon.
- d) **Kun akkua ei käytetä, sitä tulee säilyttää poissa metalliesineiden (esim. paperiliittimet, kolikot, avaimet, naulat) läheisyydestä. Metalliesineet saattavat muodostaa kontaktin akun napojen välille.** Akun napojen oikosulkeminen saattaa johtaa palovammoihin tai tulipaloon.
- e) **Vahingoittuneesta akusta saattaa vuotaa akkuhappoa. Vältä kontaktia hapon kanssa. Jos joudut kosketuksiin hapon kanssa, huuhtelee vedellä. Jos happoa joutuu silmiin, hakeudu lääkäriin.** Akun happo saattaa aiheuttaa ärsytystä ja palovammoja.

6) *Huolto*

- a) **Laitteen saa huoltaa ja korjata ainoastaan ammattihenkilö, ja huollossa tulee käyttää ainoastaan alkuperäisosa.** Näin taataan sähkökäyttöisen käsityökalun turvallisuus.

Porausta koskevia turvallisuusohjeita

- a) **Käytä tukikahvaa, jos koneen mukana tulee sellainen.** Koneen hallinnan menettäminen saattaa johtaa loukkaantumiseen.
- b) **Pidä kiinni ainoastaan koneen eristetyistä kahvoista, kun työskentelet paikoissa, jossa terä voi joutua kosketuksiin jännitteisten johtojen kanssa.** Terän koskettaminen jännitteiseen johtoon saattaa tehdä koneen metalliosista jännitteisiä, mikä voi johtaa sähköiskuun.

Akkuja koskevia turvallisuusohjeita

- a) Älä yritä avata, purkaa, muuttaa tai vahingoittaa akkua.
- b) Älä oikosulje akkua. Älä säilytä akkua paikassa, jossa se voi joutua kosketuksiin muiden akkujen tai jännitteisten esineiden kanssa. Kun akkua ei käytetä, huolehdi siitä, että se ei joudu kosketuksiin metalliesineiden, kuten paperiliitinten, kolikoiden, avainten, naulojen ja ruuvien kanssa. Nämä esineet saattavat muodostaa kontaktin akun napojen välillä, mikä voi aiheuttaa oikosulun, joka voi johtaa palovammoihin tai tulipaloon.
- c) Älä altista akkua kuumuudelle tai avotulelle. Älä säilytä akkua auringonvalossa.
- d) Älä altista akkua kolhuille tai iskuille.
- e) Jos akku vuotaa, huolehdi, että neste ei joudu kosketuksiin ihon tai silmien kanssa. Jos näin käy, huuhtele nesteelle altistunut alue runsaalla vedellä ja hakeudu lääkäriin.
- f) Jos akku tai sen osia on nielty, hakeudu välittömästi lääkäriin.
- g) Pidä akku puhtaana ja kuivana.
- h) Puhdista akku kuivalla ja puhtaalla liinalla.
- i) Akku tulee ladata ennen käyttöä. Noudata aina tämän käyttöohjeen latausohjeita.
- j) Älä jätä akkua liian pitkäksi aikaa lataukseen.
- k) Jos akku on ollut pitkään käyttämättä, se saavuttaa täyden kapasiteetin vasta, kun se on ladattu ja tyhjentyneet useita kertoja.
- l) Akun kapasiteetti on paras, kun sitä käytetään huoneenlämmössä ($20 \pm 5 \text{ }^\circ\text{C}$).
- m) Kun viet akun kierrätykseen, pidä se erillään erityyppisistä akuista.
- n) Lataa akkua vain mukana tulevalla laturilla. Käytä akun lataukseen vain sille soveltuvaa laturia. Vääräntyyppisen laturin käyttäminen saattaa johtaa tulipaloon.
- o) Älä käytä akkua, joka on tarkoitettu muille kuin tässä käyttöohjeessa mainituille työkaluille.
- p) Pidä akku poissa lasten ulottuvilta.
- q) Säädä kaikki työkalujen mukana tulevat ohjeet ja asiakirjat.
- r) Poista akku työkalusta, kun et käytä sitä.
- s) Kierrätä tuote asianmukaisesti, kun poistat sen käytöstä.

Akkuja ja latureita koskevat turvallisuusohjeet

- Älä yritä avata akkua.
- Älä koskaan säilytä akkua suorassa auringonvalossa tai yli $50 \text{ }^\circ\text{C}$:n lämpötilassa.
- Lataa akkua ainoastaan $10 \dots 40 \text{ }^\circ\text{C}$:n lämpötiloissa.
- Älä altista akkua tai laturia vedelle.

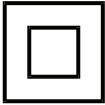
Tuotteen merkinnät ja turvallisuussymbolit



Lue koko käyttöohje.



Käytä aina kuulosuojaimia, suojalaseja tai visiiriä ja hengityssuojainta.



Kaksoiseristys.



Vain sisäkäyttöön.



max 50°C

Enintään 50 °C.

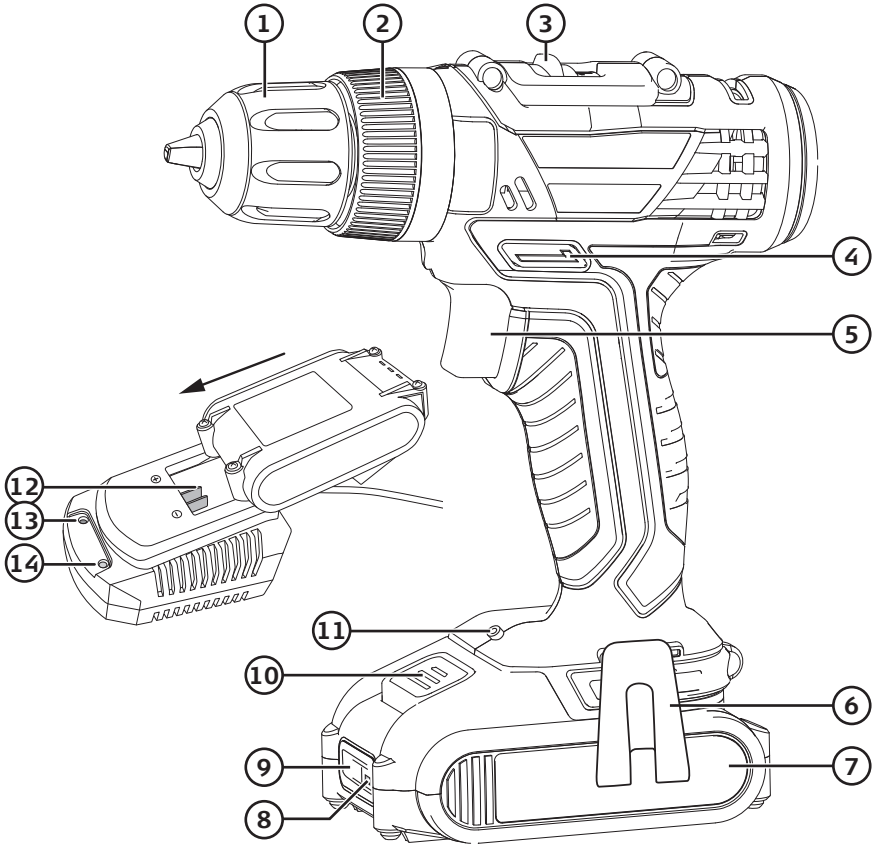


Pidä akku loitolla kuumista paikoista, kuten auringonvalosta ja tulesta, sekä vedestä ja kosteudesta. Räjähdyksivaara.

Tärinä

- Tässä käyttöohjeessa ilmoitettu tärinäarvo on mitattu EN 62841 -standardisoidulla mittaustavalla, ja se on verrattavissa muihin sähkökäyttöisiin käsityökaluihin.
- Mittaustapa sopii myös tärinäkuormituksen alustavaan arviointiin.
- Ilmoitettu tärinäarvo toteutuu, kun sähkökäyttöistä käsityökalua käytetään käyttöohjeessa kuvatulla tavalla. Jos sähkökäyttöistä käsityökalua käytetään muuhun tarkoitukseen tai muiden tarvikkeiden kanssa ja jos sitä ei ole huollettu, työnaikainen tärinätaaso saattaa kasvaa huomattavasti.
- Tarkan tärinäkuormituksen arvioimiseksi pitää huomioida myös ajat, jolloin sähkökäyttöinen käsityökalu ei ole kytkettynä, tai kun se on käynnissä ilman, että sitä käytetään. Tämä vähentää huomattavasti koko työskentelyjakson tärinäkuormitusta. Päätä turvallisuustoimenpiteet suojataksesi käyttäjää tärinän vaikutukselta kaikissa käyttötarkoituksissa.

Tuotteen kuvaus

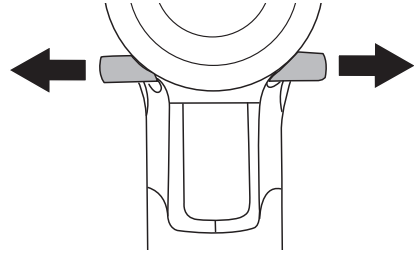


1. Avaimeton istukka
2. Vääntömomentin valinta: 1–19 + poraustila (🔩)
3. Vaihteenvälitsin
4. Pyörimissuunnan valintakytkin
5. Virtakytkin (portaaton)
6. Vyöpidike
7. Akku 18 V/1,5 Ah
8. Akun varaustason ilmaisin
9. Akun varaustason testipainike
10. Akun lukitus
11. Valo
12. Akkuliitântä
13. Käynnissä olevan latauksen merkkivalo
14. Verkkovirtaliitännän ja täyden akun merkkivalo

Toiminnot

Suunnanvaihtokytkin ja virtakytkin

1. Valitse pyörimissuunta valintakytkimellä (4). Virtakytkin on lukittu, kun kytkin on keskiasennossa. Ruuvinväännin ei käynnisty, kun kytkin on keskiasennossa.
2. Käynnistä ja pysäytä ruuvinväännin painamalla ja päästämällä virtakytkin (5). Ruuvinvääntimessä on portaaton kierrosluvun säätö, mikä on erinomainen erityisesti ruuvauksessa. Kierrosluku kasvaa, kun virtakytkintä painetaan kovempaa.



Valo

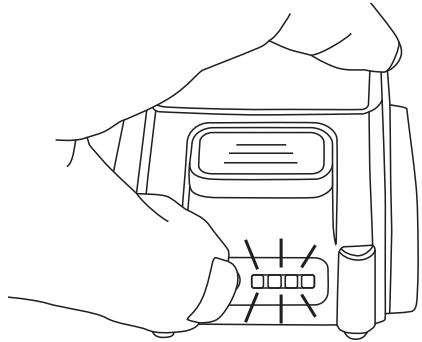
Ruuvinvääntimessä on valo (11). Valo syttyy ja sammuu virtakytkimellä.

Akun varaustason ilmaisin

Akussa on varaustason ilmaisin (8), joka näyttää akun varaustason neljän LED-valon avulla. Katso akun varaustaso painamalla testipainiketta (9).

LED-valot näyttävät akun varaustason seuraavasti:


- Akku on täynnä: 1 punainen ja 3 vihreää LED-valoa.
- Akku on puolillaan: 1 punainen ja 1–2 vihreää LED-valoa.
- Akku on tyhjä ja se tulee ladata: 1 punainen LED-valo.



Ruuvinvääntö

1. Ruuvinvääntimessä on valitsin (2) sopivan vääntömomentin valitsemiseksi. Kun vääntömomentti on valittu oikein, ruuvinväännin hellittää valitussa vääntömomentissa, eikä ruuvi poraudu liian syväälle. Asetus riippuu ruuvin tyypistä ja koosta sekä materiaalista, johon ruuvataan.
2. Aloita aina alimmalla vääntömomentilla ja lisää portaittain.

Poraus

Aseta kytkin (2) poraustilaan ().

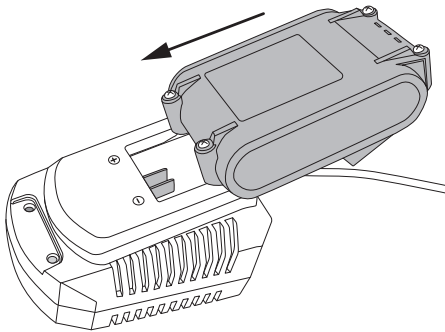
Hidas/nopea vaihde

Vaihteenvaihtimessa (3) on kaksi tilaa: Tila 1: 0–350 kierr./min, tila 2: 0–1300 kierr./min.

Lataaminen

Huom.! Akun tulee olla täynnä ensimmäisellä käyttökerralla.

1. Irrota akku ruuvinvääntimestä painamalla akun lukitusta (10) ja vetämällä akku irti ruuvinvääntimestä. Jos akku on erittäin kuuma esim. kovan kuormituksen jälkeen, anna sen jäähtyä ennen lataamista.
2. Liitä laturin pistoke verkkopistorasiaan. Laturin LED-valo palaa vihreänä.
3. Aseta akku laturiin. LED-valo palaa punaisena latauksen aikana ja vihreänä, kun lataus on valmis.



Laturi ilmaisee latauksen tilan seuraavasti:

Ei liitettyä akkua:

- Vihreä vilkkumaton valo: Laturi on liitetty pistorasiaan.

Akku liitetty:

- Punainen vilkkumaton valo: Lataus käynnissä.
- Vihreä vilkkumaton valo: Lataus on valmis, akku on täynnä.
- Latausaika on noin 1 tunti.
- Akku voi kuumentua hieman latauksen aikana. Tämä on täysin normaalia.
- Laturi ja akku toimivat parhaiten normaalissa huonelämpötilassa. Älä lataa akkua suorassa auringonvalossa tai alhaisessa lämpötilassa. Akun latauslämpötila on 10–40 °C.
- Kun akku on tyhjä, akun elektroniikka sammuttaa ruuvinvääntimen automaattisesti.
- Lataa akku, jos ruuvinvääntimen on pitkä (kuukausia) käyttämättä.

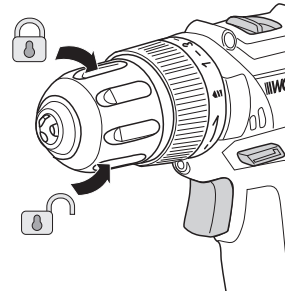
Ylikuormitus ja suojaus

Koneessa ja akussa on erilaisia suojaustoimintoja koneen ja akun suojaamiseksi.

- Ylikuormitussuoja sammuttaa koneen/akun lyhytaikaisen ylikuormituksen sattuessa. Suoja palautuu automaattisesti. Päästä virtakytkin ja odota muutaman sekunnin ajan. Varmista, että konetta ei ole kuormitettu, ja käynnistä se uudelleen. Kone toimii taas normaalisti.
- Ylikuumenemissuoja voi sammuttaa koneen/akun pitkäaikaisen ylikuormituksen vuoksi. Ylikuumenemissuoja palautuu automaattisesti, mutta koneen voi käynnistää vasta, kun sen lämpötila on laskenut riittävästi. Anna koneen jäähtyä, ennen kuin käynnistät sen uudelleen. Myös suora auringonvalo saattaa aiheuttaa koneen ylikuumenemisen. Vältä suoraa auringonvaloa.
- Akussa on alijännitesuojaus, mikä sammuttaa koneen, jos akku tyhjenee. Alijännitesuoja sammuttaa koneen automaattisesti, jonka jälkeen akku pitää ladata.

Poranterän tai palan vaihtaminen

Koneessa on avaimeton istukka (1), jonka avulla poranterän tai palan voi vaihtaa helposti yhdellä kädellä. Kiristä kiertämällä vasemmalle ja avaa kiertämällä oikealle. Varmista, että terä on tiukasti paikoillaan ja keskellä istukkaa.



Porausvinkkejä

- Kun poraat liukasta materiaalia, esim. klinkkeriä, laita porauskohtaan vahva teippi, joka pitää poranterän paikallaan.
- Kun poraat metallia, tee porauskohtaan ensin pieni reikä pistepuikolla. Reikä keskittää poran oikeaan paikkaan niin, että se ei pääse liukumaan porattaessa.
- Metallia porattaessa tulee käyttää myös poraöljyä työkalujen liiallisen kulumisen estämiseksi.
- Kiinnitä porattava materiaali aina puristimilla.
- Kun poraat seiniä, varmista, että porattavassa kohdassa ei ole vesi- ja sähköjohtoja tms.

Huolto ja ylläpito

- Pidä moottorin tuuletusaukot puhtaina ja poista mahdolliset purut, roskat ym.
- Puhdista laite kevyesti kostutetulla liinalla. Käytä mietoa pesuainetta. Älä käytä liuotusaineita tai syövyttäviä kemikaaleja.
- Lataa akku, jos ruuvinväännin on pitkään (kuukausia) käyttämättä.

Vianetsintä

Ongelma	Mahdollinen syy	Toimenpide
Kone ei käynnisty.	Akku on tyhjä.	Lataa akku.
	Akku on ylikuumentunut.	Anna akun jäähtyä.
	Kuluneet hiiliharjat.	Ota yhteys asiakaspalveluun.
	Virtakytkimessä vikaa.	
Kone käy hitaasti ja/ tai sammuu.	Tylsä tai viallinen poranterä.	Vaihda poranterä.
	Konetta painetaan liian kovaa.	Älä pakota konetta.
	Akku on tyhjä.	Lataa akku.
	Akku on ylikuumentunut.	Anna akun jäähtyä.
	Moottori on ylikuumentunut.	Anna koneen jäähtyä.
Epätavallisia ääniä ja/ tai voimakasta tärinää.	Poranterä/varuste ei ole istukan keskellä tai on muuten väärin asennettu.	Varmista, että poranterä/ varuste on asennettu kunnolla ja keskitetty.
Moottori kipinöi.	Hiilet ovat vialliset.	Ota yhteys asiakaspalveluun.
	Käämi on oikosulussa.	
	Kollektori on likainen.	

Kierrättäminen

Tämä kuvake tarkoittaa, että tuotetta ei saa hävittää kotitalousjätteen seassa. Tämä koskee koko EU-aluetta. Virheellisestä hävittämisestä johtuvien mahdollisten ympäristö- ja terveyshaittojen ehkäisemiseksi tuote tulee viedä kierrätettäväksi, jotta materiaali voidaan käsitellä vastuullisella tavalla. Kierrätä tuote käyttämällä paikallisia kierrätysjärjestelmiä tai ota yhteys ostopaikkaan. Ostopaikassa tuote kierrätetään vastuullisella tavalla.



Tekniset tiedot

Verkkoliitäntä	220–240 V~, 50–60 Hz
Kierrosluku	0–350/0–1300 kierr./min
Akku	18 V, 1,5 Ah litiumioni
Istukka	Ø 10 mm
Kapasiteetti	Teräs Ø 10 mm, puu Ø 30 mm
Säädettävä momentti	1–19 + poraustila, enintään 30 Nm
Latausaika	noin 1 tunti
Melutaso	LpA = 69,9 dB(A), epätarkkuus KpA = 5 dB(A) LwA = 80,9 dB(A), epätarkkuus KwA = 5 dB(A)
Tärinäarvo	a _{hD} = 1,121 m/s ² , K = 1,5 m/s ² (metallin poraus)
Paino	1,3 kg

EC Declaration of Conformity

EG-försäkran om överensstämmelse / Egenerklæring / EY-vaatimustenmukaisuusvakuutus



This declaration of conformity is issued under the sole responsibility of the manufacturer.

EU-försäkran om överensstämmelse utfärdas på tillverkarens eget ansvar. / Egenerklæringen er utstedt under produsentens eget ansvar. / Tämä vaatimustenmukaisuusvakuutus on annettu valmistajan yksinomaisella vastuulla

Manufacturer and person authorised to compile technical file: Clas Ohlson AB, SE-793 85 Insjön, Sweden

Name	18V Cordless Drill/Driver CoCraft
Type/Model	D019-18V
Clas Ohlson Article Number	41-2626

The product satisfies the provision for CE-marking according to the following directive(s) / regulation(s) including amendments / Produkten uppfyller kraven för CE-märkning enligt följande direktiv / förordningar inklusive ändringar/ Produktet tilfredsstiller bestemmelsen om CE-merking i henhold til følgende direktiv (er) / forskrifter, inkludert endringer / Tuote täyttää seuraavien direktiivien / asetusten mukaiset CE-merkintää koskevat vaatimukset, mukaan lukien muutokset;

- Machinery Directive 2006/42/EC
- EMC Directive 2014/30/EU
- Low Voltage Directive 2014/35/EU

References to the relevant harmonised standards used or references to the other technical specifications in relation to which conformity is declared. Hänvisning till de harmoniserade standarder som använts eller hänvisningar till de specifikationer som försäkran om överensstämmelse deklarerar: / Referere til harmoniserte standarder som brukes, eller henvisninger til spesifikasjonene der samsvarserklæring er erklært: / Viittaus yhdenmukaistettuihin standardeihin tai viittaus eritelmiin, jossa vaatimustenmukaisuusvakuutus on julistettu;

Drill/Driver: EN 62841-1:2015, EN 62841-2-1:2018+A11:2019, EN IEC 55014-1:2021, EN IEC 55014-2:2021.

Battery Charger: EN 60335-2-29:2004+A2:2010+A11:2018,

EN 60335-1:2012+A11:2014+A13:2017+A1:2019+A14:2019+A2:2019, EN 55014-1:2017+A11:2020,

EN 55014-2:2015, EN 61000-3-2:2019, EN 61000-3-3:2013+A1:2019 EN 62233:2008+AC:2008

Signed for and on behalf of;



Carina Hemstrand
Product Compliance & Sustainability Manager
Clas Ohlson AB, SE-793 85 Insjön, Sweden

Place and date: Insjön 2021-12-21

Sverige

Kundtjänst tel: 0247/445 00
e-post: kundservice@clasohlson.se

Internet www.clasohlson.se

Post Clas Ohlson AB, 793 85 INSJÖN

Norge

Kundesenter tlf.: 23 21 40 00
e-post: kundesenter@clasohlson.no

Internett www.clasohlson.no

Post Clas Ohlson AS, Postboks 485 Sentrum,
0105 OSLO

Suomi

Asiakaspalvelu puh.: 020 111 2222
sähköposti: asiakaspalvelu@clasohlson.fi

Internet www.clasohlson.fi

Osoite Clas Ohlson Oy, Kaivokatu 10 B,
00100 HELSINKI

United Kingdom

Internet www.clasohlson.co.uk