

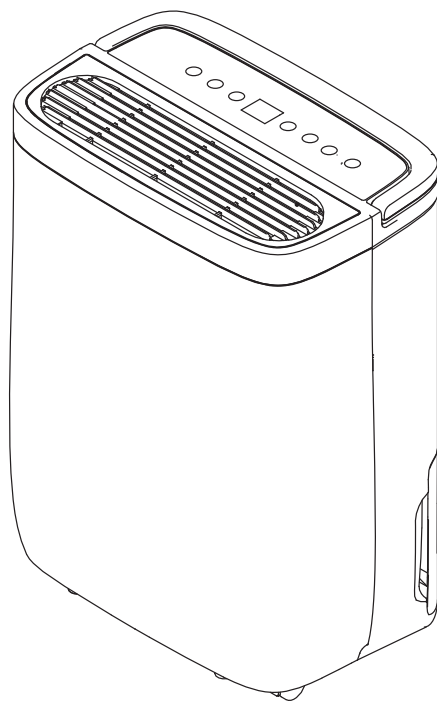


# Dehumidifier

SE | Luftavfuktare

NO | Luftavfukter

FI | Ilmankuivain



Art.no.

36-8321

Model

MDDQ-10DEN7-QA3

**Ver. 20220328**  
Original instructions  
Bruksanvisning i original  
Originalbruksanvisning  
Alkuperäinen käyttöohje

English

Svenska

Norsk

Suomi



# Dehumidifier

Art.no 36-8321      Model MDDQ-10DEN7-QA3

Please read the entire instruction manual before using the product and then save it for future reference. We reserve the right for any errors in text or images and any necessary changes made to technical data. In the event of technical problems or other queries, please contact our Customer Services (see address details on the back).

English

## Safety

- The product must only be connected to a 230 V, 50 Hz earthed power socket protected by an RCD.
- The product may be used by children aged 8 years and above and by persons with reduced physical, sensory or mental capability or lack of experience and knowledge provided they have been given supervision or instruction concerning use of the product in a safe way and understand the hazards involved.
- This appliance is not intended for use by persons (including children) with reduced physical, sensory or mental capabilities, or lack of experience and knowledge, unless they have been given supervision or instruction concerning use of the appliance by a person responsible for their safety.
- If the mains lead is damaged, it must only be replaced by the manufacturer, one of their service centres or a qualified person in order to avoid a hazard.
- Never let children play with the product.
- The product must always stand upright.
- Never sit on, cover or place foreign objects on the product.
- The product must stand upright for at least 1 hour before it is used for the first time. The same applies if the product has been tilted from its upright position whilst being moved, cleaned, etc.
- Never use the product if the mains lead, plug or any other part is damaged or does not work properly.
- Never try to dismantle or repair the product yourself.

- If the product needs to be used with an extension lead or trailing socket, make sure that the lead used is suitable for use with the product.
- Never plug in or unplug the product with wet hands.
- Never insert foreign objects into the openings in the product.
- Unplug the product immediately if it emits strange noises, odours or smoke.
- Unplug the product immediately if it tips over or if it is splashed with water. Contact a qualified service technician before using the product again.
- The product must not be covered in any way. Make sure that no foreign objects cover or block the air inlet/outlet. Blockages can lead to fires, electric shocks or damage to the product.
- Unplug the product when it is not in use.
- Never use the mains lead plug for turning the product on or off. The product should only be switched on and off using the on/off switch.
- Before moving the product, make sure it is switched off, unplugged and that the water tank is empty.
- Never expose the product to running/splashing water or other liquids.
- Liquid coming in contact with electrical components can be extremely hazardous.
- Do not place the product where it could fall into water or other liquid.
- Do not place any objects which contain liquid such as vases or drinks onto the product.



**Warning:** When using refrigerant R290.



**IMPORTANT NOTE:** Read this instruction manual carefully before installing or using the air dehumidifier. Keep this instruction manual for future reference.

- Do not use any other agents than those recommended by the manufacturer for cleaning or to speed up the defrosting process.
- Never use the product in areas where flammable liquids/materials or gases (petrol, solvents, gas cylinders) are stored or used.
- Make sure that there are no holes or burns on the product.
- Be aware that refrigerants can be odourless.
- The product should be used in areas with a floor space greater than 4 m<sup>2</sup>.

## **Safety regulations for service and repair work**

Repairs must only be carried out by authorised service personnel and only using genuine spare parts.

### ***1. Check the work area***

Prior to beginning work on systems containing flammable refrigerants, safety checks are necessary to ensure that the risk of ignition is minimised. For repair to the refrigerating system, the following precautions shall be complied with prior to conducting work on the system.

### ***2. Work procedure***

Work shall be undertaken under a controlled procedure so as to minimise the risk of a flammable gas or vapour being present while the work is being performed.

### ***3. General work area***

All maintenance staff and others working in the local area shall be instructed on the nature of work being carried out. Work in confined spaces shall be avoided. The area around the workspace shall be sectioned off. Make sure that the conditions within the area have been made safe by control of flammable material.

#### **4. Checking for the presence of refrigerant**

The area shall be checked with an appropriate refrigerant detector prior to and during work, to ensure the technician is aware of potentially flammable atmospheres. Ensure that the leak detection equipment being used is suitable for use with flammable refrigerants, i.e. non-sparking, adequately sealed or intrinsically safe.

#### **5. Presence of a fire extinguisher**

If any hot work is to be conducted on the refrigeration equipment or any associated parts, appropriate fire extinguishing equipment shall be available to hand. Have a dry powder or CO<sub>2</sub> fire extinguisher adjacent to the charging area.

#### **6. No ignition sources**

No person carrying out work in relation to a refrigeration system which involves exposing any pipe work that contains or has contained flammable refrigerant shall use any sources of ignition in such a manner that it may lead to the risk of fire or explosion. All possible ignition sources, including cigarette smoking, should be kept sufficiently far away from the site of installation, repairing, removing and disposal, during which flammable refrigerant can possibly be released to the surrounding space. Prior to work taking place, the area around the equipment is to be surveyed to make sure that there are no flammable hazards or ignition risks. 'NO SMOKING' signs shall be displayed.

#### **7. Ventilated area**

Ensure that the area is in the open or that it is adequately ventilated before breaking into the system or conducting any hot work. A degree of ventilation shall continue during the period that the work is carried out. The ventilation should safely disperse any released refrigerant and preferably expel it externally into the atmosphere.

## **8. Checks to the refrigeration equipment**

Where electrical components are being changed, they shall be fit for the purpose and to the correct specification. The manufacturer's maintenance and service guidelines shall be followed at all times. If in doubt consult the manufacturer's technical department for assistance. The following checks shall be applied to installations using flammable refrigerants:

- That the charge size is in accordance with the room size within which the refrigerant containing parts are installed.
- That the ventilation machinery and outlets are operating adequately and are not obstructed.
- That if an indirect refrigerating circuit is being used, the secondary circuit shall be checked for the presence of refrigerant. That markings on the equipment continue to be visible and legible.
- Markings and signs that are illegible shall be corrected.
- Refrigeration pipe or components are installed in a position where they are unlikely to be exposed to any substance which may corrode refrigerant containing components, unless the components are constructed of materials which are inherently resistant to being corroded or are suitably protected against being so corroded.

## **9. Checks to electrical devices**

Repair and maintenance to electrical components shall include initial safety checks and component inspection procedures. If a fault exists that could compromise safety, then no electrical supply shall be connected to the circuit until it is satisfactorily dealt with. If the fault cannot be corrected immediately but it is necessary to continue operation, an adequate temporary solution shall be used. This shall be reported to the owner of the equipment so all parties are advised. Initial safety checks shall include:

- That capacitors are discharged: this shall be done in a safe manner to avoid possibility of sparking.

- That no live electrical components and wiring are exposed while charging, recovering or purging the system.
- That there is continuity of earth bonding.

### ***10. Repairs to sealed components***

During repairs to sealed components, all electrical supplies shall be disconnected from the equipment being worked upon prior to any removal of sealed covers, etc. If it is absolutely necessary to have an electrical supply to equipment during servicing, then a permanently operating form of leak detection shall be located at the most critical point to warn of a potentially hazardous situation. Particular attention shall be paid to the following to ensure that by working on electrical components, the casing is not altered in such a way that the level of protection is affected. This shall include damage to cables, excessive number of connections, terminals not made to original specification, damage to seals, incorrect fitting of glands, etc.

- Ensure that apparatus is mounted securely.
- Ensure that seals or sealing materials have not degraded such that they no longer serve the purpose of preventing the ingress of flammable atmospheres. Replacement parts shall be in accordance with the manufacturer's specifications.

**Note:** The use of silicone sealant may inhibit the effectiveness of some types of leak detection equipment. Intrinsically safe components do not have to be isolated prior to working on them.

### ***11. Repair of intrinsically safe components***

Do not apply any permanent inductive or capacitive loads to the circuit without ensuring that this will not exceed the permissible voltage and current permitted for the equipment in use. Intrinsically safe components are the only types that can be worked on while live in the presence of a flammable atmosphere. The test apparatus shall be of the correct rating. Replace components only with parts specified by the manufacturer. Other parts may result in the ignition of refrigerant in the atmosphere from a leak.



## **12. Cabling**

Check that cabling will not be subject to wear, corrosion, excessive pressure, vibration, sharp edges or any other adverse environmental effects. The check shall also take into account the effects of aging or continual vibration from sources such as compressors or fans.

## **13. Detection of flammable refrigerants**

Under no circumstances shall potential sources of ignition be used in the searching for or detection of refrigerant leaks. A halide torch (or any other detector using a naked flame) must not be used.

## **14. Leak detection methods**

The following leak detection methods are deemed acceptable for systems containing flammable refrigerants. Electronic leak detectors shall be used to detect flammable refrigerants, but the sensitivity may not be adequate, or may need re-calibration. Detection equipment shall be calibrated in a refrigerant-free area. Ensure that the detector is not a potential source of ignition and is suitable for the refrigerant used.

Leak detection equipment shall be set at a percentage of the LFL of the refrigerant and shall be calibrated to the refrigerant employed and the appropriate percentage of gas (25 % maximum) is confirmed. Leak detection fluids are suitable for use with most refrigerants but the use of detergents containing chlorine shall be avoided as the chlorine may react with the refrigerant and corrode the copper pipe-work.

If a leak is suspected, all naked flames shall be removed/ extinguished. If a leakage of refrigerant is found which requires brazing, all of the refrigerant shall be recovered from the system, or isolated (by means of shut off valves) in a part of the system remote from the leak. Oxygen-free nitrogen (OFN) shall then be purged through the system both before and during the brazing process.

## **15. Removal and evacuation**

When breaking into the refrigerant circuit to make repairs (or for any other purpose) conventional procedures shall be used. However, it is important that best practice is followed since flammability is a consideration. The following procedure shall be adhered to:

- Remove the refrigerant.
- Purge the circuit with inert gas.
- Evacuate.
- Purge again with inert gas.
- Open the circuit by cutting or brazing.

The refrigerant charge shall be recovered into the correct recovery cylinders. The system shall be flushed with OFN to render the unit safe. This process may need to be repeated several times. Compressed air or oxygen shall not be used for this task. Flushing shall be achieved by breaking the vacuum in the system with OFN and continuing to fill until the working pressure is achieved, then venting to atmosphere, and finally pulling down to a vacuum.

This process shall be repeated until no refrigerant is within the system.

When the final OFN charge is used, the system shall be vented down to atmospheric pressure to enable work to take place. This operation is absolutely vital if brazing operations on the pipe-work are to take place. Ensure that the outlet for the vacuum pump is not close to any ignition sources and there is a ventilation available.

## **16. Charging procedures**

In addition to conventional charging procedures, the following requirements shall be followed:

- Ensure that contamination of different refrigerants does not occur when using charging equipment. Hoses or lines shall be as short as possible to minimise the amount of refrigerant contained in them.

- Cylinders shall be kept upright.
- Ensure that the refrigeration system is earthed prior to charging the system with refrigerant.
- Label the system when charging is complete (if not already).
- Extreme care shall be taken not to overfill the refrigeration system.
- Prior to recharging the system it shall be pressure-tested with OFN. The system shall be leak-tested on completion of charging but prior to commissioning. A follow up leak test shall be carried out prior to leaving the site.

### **17. Decommissioning**

Before carrying out this procedure, it is essential that the technician is completely familiar with the equipment in every detail. It is recommended good practice that all refrigerants are recovered safely.

Prior to the task being carried out, an oil and refrigerant sample shall be taken in case analysis is required prior to re-use of reclaimed refrigerant. It is essential that electrical power is available before the task is commenced.

- a) Become familiar with the equipment and its operation.
- b) Isolate the system electrically.
- c) Before attempting the procedure ensure that:
  - Mechanical handling equipment is available, if required, for handling refrigerant cylinders.
  - All personal protective equipment is available and being used correctly.
  - The recovery process is supervised at all times by a competent person.
  - Recovery equipment and cylinders conform to the appropriate standards.
- d) Pump down the refrigerant system, if possible.
- e) If a vacuum is not possible, make a manifold so that refrigerant can be removed from various parts of the system.

- f) Make sure that cylinder is situated on the scales before recovery takes place.
- g) Start the recovery machine and operate in accordance with manufacturer's instructions.
- h) Do not overfill cylinders. (No more than 80 % volume liquid charge).
- i) Do not exceed the maximum working pressure of the cylinder, even temporarily.
- j) When the cylinders have been filled correctly and the process completed, make sure that the cylinders and the equipment are removed from site promptly and all isolation valves on the equipment are closed off.
- k) Recovered refrigerant shall not be charged into another refrigeration system unless it has been cleaned and checked.

### **18. Labelling**

Equipment shall be labelled stating that it has been decommissioned and emptied of refrigerant. The label shall be dated and signed. Ensure that there are labels on the equipment stating the equipment contains flammable refrigerant.

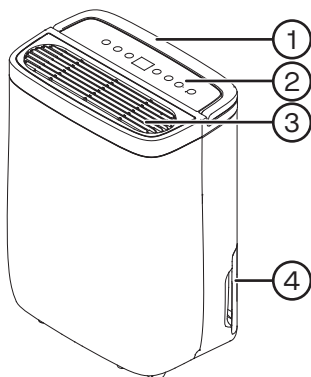
### **19. Recovery**

When removing refrigerant from a system, either for servicing or decommissioning, it is recommended good practice that all refrigerants are removed safely.

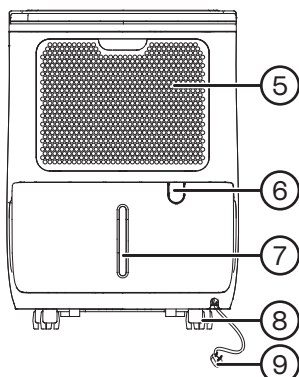
- When transferring refrigerant into cylinders, ensure that only appropriate refrigerant recovery cylinders are employed. Ensure that the correct number of cylinders for holding the total system charge are available. All cylinders to be used are designated for the recovered refrigerant and labelled for that refrigerant (i.e. special cylinders for the recovery of refrigerant). Cylinders shall be complete with pressure relief valve and associated shut-off valves in good working order.
- Empty recovery cylinders are evacuated and, if possible, cooled before recovery occurs.

- The recovery equipment shall be in good working order with a set of instructions concerning the equipment that is at hand and shall be suitable for the recovery of flammable refrigerants. In addition, a set of calibrated weighing scales shall be available and in good working order.
- Hoses shall be complete with leak-free disconnect couplings and in good condition. Before using the recovery machine, check that it is in satisfactory working order, has been properly maintained and that any associated electrical components are sealed to prevent ignition in the event of a refrigerant release. Contact the manufacturer if you are unsure.
- The recovered refrigerant shall be returned to the refrigerant supplier in the correct recovery cylinder, and the relevant Waste Transfer Note arranged. Do not mix refrigerants in recovery units and especially not in cylinders.
- If compressors or compressor oils are to be removed, ensure that they have been evacuated to an acceptable level to make certain that flammable refrigerant does not remain within the lubricant. The evacuation process shall be carried out prior to returning the compressor to the suppliers. Only electrical heating of the compressor body shall be employed to accelerate this process. When oil is drained from a system, it shall be carried out safely.

## Product description

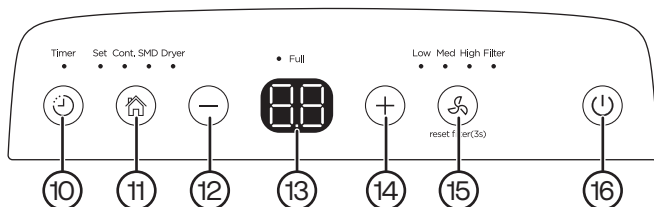



1. Handle
2. Control panel
3. Air outlet
4. Water tank



5. Grille over air intake with mesh filter
6. Drain hose outlet for continuous operation
7. Water level window
8. Wheel
9. Mains lead

## Control panel



10. Timer for setting start and stop times
11. Mode selector. Choose between:
  - **Set:** Dehumidification controlled by a set humidity level.
  - **Cont:** Continuous operation mode, a desired humidity level cannot be set.
  - **SMD:** Smart dehumidification mode. The humidity in the room is kept within the recommended range of 45–55% depending on the room temperature. E.g.: if the room temperature drops, the humidity is automatically increased to a comfortable level.
  - **Dryer:** Dryer mode. Drying mode in which the fan runs at maximum speed (non-adjustable). The desired level of humidity cannot be set.
12. Control used for setting the humidity level and timer
13. Display
14. Control used for setting the humidity level and timer
15. Fan speed setting:
  - **Low:** low fan speed
  - **Med:** medium fan speed
  - **High:** high fan speed
  - **Filter:**  Indicator for a filter that is not used on this model. If the indicator lights, hold in the button (15) for 3 seconds to reset the indicator.
16. On/off button

# Instructions for use

## Placement

- The dehumidifier is only intended for normal domestic use and only in the manner described in this instruction manual.
- Do not use the dehumidifier in a room in which the temperature might fall to below 5 °C.
- Make sure that the dehumidifier is standing firmly on a flat surface capable of supporting its weight even when the water tank is full.
- Make sure that the mains lead is easily accessible and is not damaged by sharp edges or is crushed in any way during use.
- Extra caution should be taken when the dehumidifier is used in the same environment as infants, small children and the elderly.
- The dehumidifier should be placed where it can draw in air from the entire house.
- All interior doors should be opened. Exterior doors and windows should be closed.
- If any part of your house suffers from severe humidity, the dehumidifier can be placed there first and then moved to another part of the house later.
- Position the dehumidifier where the air can circulate freely, leave at least 20 cm of clearance on all sides.
- Never place the dehumidifier next to a radiator or heating appliance.



- The water tank must be correctly fitted before the dehumidifier can be switched on.
- Remember to empty the water tank before moving the dehumidifier.
- The dehumidifier works best at normal room temperature, its efficiency is reduced if the ambient temperature falls below 15 °C.
- Let the dehumidifier operate continuously for 24 hours the first time it used.
- If the dehumidifier is turned off and then turned back on again immediately, it will take approximately 3 minutes to reach full power. If you switch the dehumidifier off, you can wait 3 minutes before switching it back on.
- Never use the dehumidifier without the air filter mesh and grille in place.
- If the dehumidifier is switched off by a power cut it will automatically switch back on once the power is restored.

## Switching the dehumidifier on/off

1. Read all the instructions in the *Safety* and *Placement* sections above.
2. Connect the mains lead to a wall socket with the specifications listed in in part 1 of the *Safety* section above.
3. Turn the dehumidifier on by pressing the [⏻] button.
4. Select one of the operating modes **Set**, **Cont**, **SMD** or **Dryer** explained in the *Control panel* section.
5. Turn the dehumidifier off by pressing the [⏻] button. The fan will continue for a few seconds to dry the inside of the dehumidifier.

## Setting the desired humidity when the Set mode is selected



- When the dehumidifier is switched on, the display shows the current humidity in the room in which the dehumidifier is located.
  - If the humidity in the room is e.g. 40 % and the appliance is set to maintain a humidity level of 60 %, the compressor in the dehumidifier will not operate.
1. Press [-] or [+] to set the desired humidity. The humidity level can be set in the range 35–85 % RH in increments of 5 %.
  2. When the desired humidity level has been reached the dehumidifier will switch off automatically.

## Timer setting



### *Setting the stop time*

1. Make sure that the dehumidifier is **switched on**.
2. Press the timer button (10).
3. Set the desired stop time by pressing or holding down the [-] or [+] button. The time is changed in 30-minute increments up to the 10-hour mark. Thereafter in increments of 60 minutes. The display shows the set timer time for 5 seconds before reverting to whatever is was displaying previously.

### *Setting the start time*

1. Make sure that the dehumidifier is **switched off**.
2. Press the timer button (10).
3. Set the desired start time by pressing or holding down the [-] or [+] button. The time is changed in 30-minute increments up to the 10-hour mark. Thereafter in 60-minute increments up to the 24-hour mark. The display shows the set timer time for 5 seconds before reverting to whatever is was displaying previously.



- The timer button (10) can be pressed at any time to check the settings.
- The timer settings can be changed at any time by pressing the timer button (10) and then the [-] or [+] button.
- If the dehumidifier is switched off after the timer settings have been made, the settings will be deleted.
- If the water tank becomes full (P2 appears on the display) while the dehumidifier is operating and before the set timer time has been reached, the timer setting will be deleted.

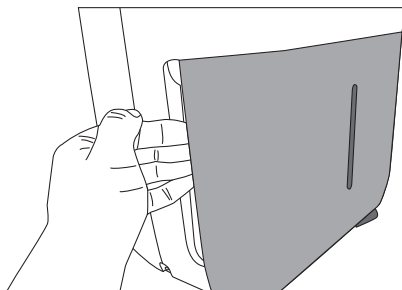
## Automatic shut-off

- When the water tank becomes full during use, the dehumidifier compressor shuts off automatically.
- The fan will continue for a few seconds to dry the inside of the dehumidifier.
- The dehumidifier will beep, the 'Full' indicator will flash and 'P2' will appear on the display.



## Emptying the water tank

1. Unplug the mains lead from the wall socket.
2. Grip the water tank by the handles (one on each side) and pull it forwards.
3. Empty the water out of water tank and then refit it into the dehumidifier. The dehumidifier will restart automatically once the water tank has been refitted if it was shut off automatically.

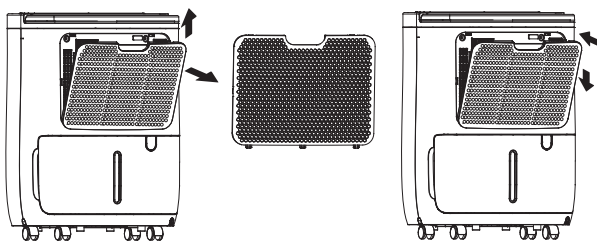


## Automatic defrost function

- The dehumidifier is equipped with an automatic defrost feature. Frost can build up on some components inside the dehumidifier under certain conditions. The defrost function removes this frost.
- The dehumidifier compressor will shut off when the defrost function is activated and the fan continues to run until the frost has disappeared.
- A purring sound might be heard from the dehumidifier during defrosting, this is normal.
- No settings can or need to be made for the defrost function.

## Mesh filter

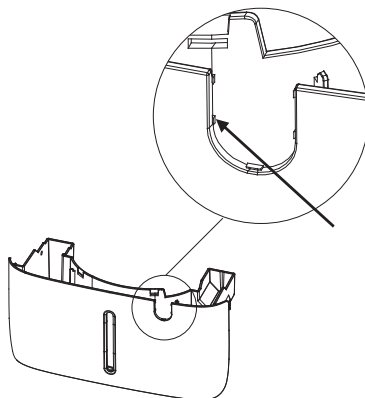
Remove the grille and mesh filter (5) and vacuum clean it carefully every 14th day.



## Operation using a drain hose, Cont (continuous operation mode)

When the dehumidifier is used in an environment with high humidity, the water tank will need emptying often. In such circumstances, it could be more practical to connect a drain hose.

1. Carefully break off the plastic tab to reveal the hose outlet (6). Use a suitable tool to scrape/file off any rough edges around the hole.

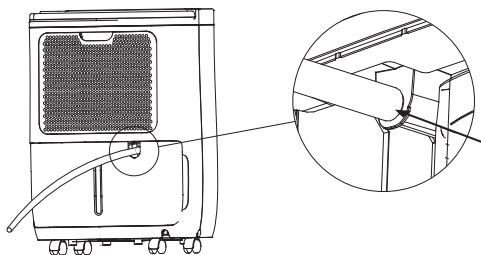


2. Connect a suitable 13.5 mm bore drain hose (sold separately). Make sure that the drain hose is secure and seal the connection to prevent leakage.

3. The other end of the drain hose should be inserted into a drain which is lower than the drain hose connection on the dehumidifier.

4. Position the hose in such a way that the water can drain freely. Avoid kinking and pinching the hose.

5. To remove the drain hose, switch the dehumidifier off, unplug it and disconnect the drain hose.



## Care and maintenance



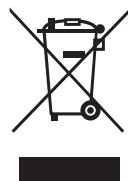
- Before the dehumidifier is cleaned or serviced it must be switched off and unplugged.
- Do not wash the water tank in a dishwasher.
- Clean the exterior of the dehumidifier using a lightly moistened cloth. Use only mild cleaning agents, never solvents or corrosive chemicals.
- Vacuum clean the air inlet and outlet grilles of the dehumidifier.
- Remove the water tank (refer to the Emptying the water tank section above) every 14th day and wash it by hand using a mild detergent. Rinse it with clean water.
- Clean the mesh filter every 14th day, refer to the *Mesh filter* section.
- If the dehumidifier is not to be used for an extended period:
  - Switch the dehumidifier off and disconnect it from the power supply.
  - Clean the housing of the dehumidifier.
  - Wait 24 hours before emptying the water tank to ensure that all the water in the dehumidifier has had time to collect in it.
  - Remove the water tank, empty it, dry it and then refit it.
  - Remove the mesh filter, vacuum clean it and refit it.
  - Store the dehumidifier upright in a dry, well-ventilated place.

## Troubleshooting guide

The dehumidifier will not switch on.	<ul style="list-style-type: none"> <li>• Make sure that the mains lead is properly plugged in and that there is power in the wall socket.</li> <li>• The water tank is full or incorrectly fitted.</li> <li>• The set humidity level has been reached.</li> </ul>
The humidity is not reducing.	<ul style="list-style-type: none"> <li>• The dehumidifier has not been running long enough.</li> <li>• Make sure that nothing is preventing the air in the room where the dehumidifier is used from circulating properly.</li> <li>• The humidity level is not set low enough.</li> <li>• Make sure that no outdoor air can enter the room in which the dehumidifier is being used.</li> <li>• The ambient temperature is below 15 °C.</li> <li>• Is there a heat source in the room which is raising the humidity?</li> </ul>
Unusual noises emitted during use.	<ul style="list-style-type: none"> <li>• Make sure that the mesh filter is clean, vacuum if necessary.</li> <li>• The dehumidifier is tilted or standing on an uneven surface.</li> </ul>
Error and protection codes (shown on the dehumidifier display)	<p><b>EH60:</b> Defective humidity sensor. Unplug the dehumidifier and plug it in again. If this does not solve the problem, contact a qualified service centre.</p> <p><b>EH61:</b> Defective temperature sensor. Unplug the dehumidifier and then plug it in again. If this does not solve the problem, contact a qualified service centre.</p> <p><b>P2:</b> The water tank is full or incorrectly fitted. Empty or fit it correctly.</p> <p><b>EH2, EH3, EH0b:</b> Other defects. Unplug the dehumidifier and then plug it in again. If this does not solve the problem, contact a qualified service centre.</p>

## Responsible disposal

This symbol indicates that the product should not be disposed of with general household waste. This applies throughout the entire EU. In order to prevent any harm to the environment or health hazards caused by incorrect waste disposal, the product must be handed in for recycling so that the material can be disposed of in a responsible manner. When recycling the product, take it to your local collection facility or contact the place of purchase. They will ensure that the product is disposed of in an environmentally sound manner.



## Specifications

<b>Rated voltage</b>	220–240 V AC, 50 Hz	<b>Noise level</b>	41/39/36 dB(A)
<b>Power</b>	360 W	<b>Operating temperature</b>	5–32 °C
<b>Extraction capacity</b>	up to 10 L/day.	<b>Refrigerant</b>	R290
<b>Recommended room size</b>	16–31 m <sup>2</sup>	<b>Dimensions</b>	44 × 33 × 22 cm
<b>Water tank capacity</b>	1.6 L	<b>Weight</b>	11.6 kg

# Luftavfuktare

Art.nr 36-8321      Modell MDDQ-10DEN7-QA3

Läs igenom hela bruksanvisningen före användning och spara den sedan för framtida bruk. Vi reserverar oss för ev. text- och bildfel samt ändringar av tekniska data. Vid tekniska problem eller andra frågor, kontakta vår kundtjänst (se adressuppgifter på baksidan).

## Säkerhet

- Produkten får endast anslutas till ett jordat vägguttag (230 V, 50 Hz) utrustat med jordfelsbrytare.
- Produkten får användas av barn från 8 år och av personer med någon form av funktionsnedsättning, brist på erfarenhet eller kunskap som skulle kunna äventyra säkerheten, om de har fått instruktioner om hur den på ett säkert sätt ska användas och förstår faror och risker som kan uppkomma.
- Produkten får inte användas av personer (inklusive barn) med nedsatt fysisk eller mental förmåga. Den får inte heller användas av personer utan tillräcklig erfarenhet och kunskap ifall de inte har fått instruktioner om användningen av någon som ansvarar för deras säkerhet.
- Om nätkabeln skadats får den, för att risk för elektrisk stöt eller brand ska undvikas, endast bytas av tillverkaren, dess serviceställe eller av en kvalificerad yrkesman.
- Låt aldrig barn leka med produkten.
- Produkten måste alltid stå i upprätt läge.
- Sitt aldrig, och placera aldrig främmande föremål av något slag, på produkten.
- Innan produkten tas i bruk för första gången ska den stå i upprätt läge minst 1 tim innan den används. Detsamma gäller om produkten kommit ur sin uppräta position genom att den flyttats, rengjorts etc.
- Använd aldrig produkten om nätkabeln, stickproppen eller någon annan del är skadad eller inte fungerar normalt.
- Försök aldrig själv ta isär eller reparera produkten.

- Om produkten måste anslutas via skarvkabel eller grenuttag, försäkra dig om att dessa är lämpliga att använda tillsammans med produkten.
- Ta inte i stickproppen med våta händer när den sätts i eller dras ut ur vägguttaget.
- Stick aldrig in föremål av något slag i produktens öppningar.
- Dra omedelbart ut nätkabeln ur vägguttaget om främmande ljud, lukt eller rök kommer från produkten.
- Dra omedelbart ut nätkabeln ur vägguttaget om produkten faller ner i eller blir översköld av vatten. Kontakta kvalificerad service innan produkten används igen.
- Produkten får inte på något sätt övertäckas. Se till att främmande föremål inte täcker för eller tränger in i luftinlopp/utlopp. Detta kan leda till elektrisk stöt, brand eller att produkten förstörs.
- Dra ut nätkabeln ur vägguttaget när produkten inte används.
- Använd aldrig nätkabeln för att slå på eller av produkten. Produkten ska styras med på/av-knappen.
- Innan produkten flyttas: stäng av, dra ut nätkabeln ur vägguttaget och töm vattentanken.
- Utsätt aldrig produkten för rinnande/stänkande vatten eller andra vätskor. Det kan utgöra livsfara om vätska kommer i kontakt med elektriska delar.
- Placera inte produkten så att den kan falla ner i vatten eller annan vätska.
- Ställ inte heller några föremål som innehåller vätska på produkten, t.ex. en blomvas eller dryck.



**Varning!** Vid användning av köldmedium R290.



**VIKTIGT ANMÄRKNING:** Läs den här bruksanvisningen noga innan du installerar eller använder din nya luftavfuktare. Se till att spara den här bruksanvisningen för framtida referens.

- Använd inga andra medel än de som rekommenderas av tillverkaren vid rengöring eller för att påskynda avfrostningsprocessen.
- Använd aldrig produkten i lokaler där brandfarliga vätskor/ämnen eller gaser (bensin, lösningsmedel, gasol etc.) förvaras eller används.
- Se till att det inte uppstår hål eller brännskador på produkten.
- Var uppmärksam på att köldmedier kan vara luktfria.
- Produkten ska användas i utrymmen med en golvyta som överstiger 4 m<sup>2</sup>.

## **Säkerhetsföreskrifter vid Service**

Alla reparationer ska utföras av behörig servicepersonal med originalreservdelar.

### **1. Kontrollera området**

Innan arbete på system som innehåller brandfarliga köldmedier påbörjas måste säkerhetskontroller göras för att se till att risken för antändning minimeras. Vid reparation av kylsystemet ska följande försiktighetsåtgärder vidtas innan arbetet på systemet påbörjas.

### **2. Procedur**

Arbetet ska utföras under kontrollerade former för att minimera risken för att brandfarlig gas eller ånga läcker ut medan arbetet pågår.

### **3. Allmänt arbetsområde**

All underhållspersonal och andra som arbetar i närheten ska instrueras om vilken typ av arbete som utförs. Undvik arbete i slutna utrymmen. Området runt arbetsstället ska spärras av. Försäkra dig om att inga brandfarliga material förekommer i arbetsområdet.

#### **4. Kontroll av förekomst av köldmedium**

Området ska kontrolleras med en lämplig köldmediumsdetektor före och under arbetet för att uppmärksamma teknikern om potentiella brandfaror. Se till att den utrustning för läcksökning som används är lämplig för brandfarliga köldmedium, d.v.s. är gnistfri, korrekt förseglad eller egensäker.

#### **5. Förekomst av brandsläckare**

Om heta arbeten ska utföras på kylutrustningen eller tillhörande delar ska lämplig brandsläckningsutrustning finnas till hands. Se till att det finns en brandsläckare (pulver eller CO<sub>2</sub>) intill påfyllningsområdet.

#### **6. Inga antändningskällor**

Ingen person som utför arbete i samband med kylsystem som innebär exponering av rörsystem som innehåller eller har innehållit brandfarliga köldmedium får använda antändningskällor på ett sådant sätt att de medför risk för brand eller explosion. Alla potentiella antändningskällor, inklusive rökning, bör hållas på betryggande avstånd från platsen för installation, reparation, avlägsnande och kassering när det finns risk för utsläpp av brandfarliga köldmedium till omgivningen. Innan arbete utförs ska området runt utrustningen undersökas för att se till att det inte finns några brand eller antändningsrisker. Skyltar med RÖKNING FÖRBJUDEN ska sättas upp.

#### **7. Ventilerat utrymme**

Se till att området är öppet eller att det är tillräckligt ventilerat innan du öppnar systemet eller utför något heta arbeten. En viss grad av ventilation ska fortgå under tiden som arbetet utförs. Ventilationen har till uppgift att skingra eventuella köldmedieutsläpp och helst föra ut den i friska luften.

## **8. Kontroller av kylutrustning**

Vid byte av elektriska komponenter ska de vara avsedda för ändamålet och uppfylla angivna specifikationer. Tillverkarens riktlinjer för underhåll och service ska alltid följas. Om du är osäker, kontakta tillverkarens tekniska avdelning och be om hjälp. Följande kontroller ska göras på anläggningar som använder brandfarliga köldmedier:

- Att mängden köldmedium är lämplig med hänsyn till storleken på det rum där de delar som innehåller köldmedium är monterade.
- Att ventilationsanläggningen och utloppen fungerar som de ska och inte är igensatta.
- Att, om en indirekt köldmediumskrets används, ska de sekundära kretsarna kontrolleras med avseende på förekomst av köldmedium. Att märkning och dekalering på utrustning förblir synliga och läsbara.
- Märkning och dekalering som är oläsliga ska åtgärdas.
- Köldmediumsrör eller komponenter ska installeras på ett sådant sätt att de inte riskeras att komma i kontakt med korroderande ämnen, såvida inte komponenterna är tillverkade av material som är beständiga mot korrosion eller har försetts med lämpligt korrosionsskydd.

## **9. Kontroller av elektrisk utrustning**

Reparation och underhåll av elektriska komponenter ska omfatta inledande säkerhetskontroller och inspektionsförfaranden för komponenter. Om ett fel föreligger som skulle kunna äventyra säkerheten får strömförsörjningen inte anslutas till kretsen förrän detta åtgärdats på ett tillfredsställande sätt. Om felet inte kan korrigeras omedelbart, men driften måste fortsätta, ska en lämplig tillfällig lösning användas. Detta ska rapporteras till ägaren av utrustningen så att alla parter är informerade. Inledande säkerhetskontroller ska inkludera:

- Att kondensatorerna är urladdade: detta ska göras på ett säkert sätt för att undvika risk för gnistbildning.



- Att det inte finns några strömförande elektriska komponenter och exponerade ledningar vid laddning, återvinning eller tömning/avlüftung av systemet.
- Att det är kontinuerligt jordat.

### **10. Reparationer av förseglade komponenter**

Under reparationer av förseglade komponenter ska all elförsörjning kopplas bort från anläggningens delar innan förseglade kåpor och liknanade avlägsnas. Om det är absolut nödvändigt med elförsörjning av utrustningen under service, ska en permanent form av läcksökningsutrustning vara inkopplad vid den mest kritiska punkten, för att varna för en potentiellt farlig situation.

Särskild uppmärksamhet ska ägnas åt följande punkter vid arbete med elektriska komponenter för att se till att höljet inte ändras på ett sådant sätt att skyddsnivån påverkas. Detta ska inkludera skador på kablar, alltför många anslutningar, terminaler som inte uppfyller den ursprungliga specifikationen, skador på tätningar, felaktig montering av kabelförskruvningar o.s.v.

- Se till att apparaten är korrekt monterad.
- Se till att tätningar eller tätningsmaterial inte har åldrats så att de inte längre tjänar ändamålet att förhindra brandfarliga gaser från att tränga in. Reservdelar ska uppfylla tillverkarens specifikationer.

**Obs!** Användning av silikon kan hämma effekten av vissa typer av utrustning för läcksökning. Egensäkra komponenter behöver inte isoleras före arbete med dem.

### **11. Reparation av egensäkra komponenter**

Använd inga permanent induktiva eller kapacitiva laster på kretsen utan att ha sett till att detta inte överstiger den tillåtna spänningen och strömstyrkan för utrustningen som används. Egensäkrade komponenter är de enda typer som arbete kan utföras på när de är strömförande i ett brandfarligt utrymme. Testapparaten måste vara rätt klassad. Ersätt endast komponenter med delar som anges av tillverkaren. Andra delar kan resultera i att köldmedium läcker ut i luften och antänds.

## **12. Kablage**

Kontrollera att kablar inte utsätts för slitage, korrosion, överdrivet tryck, vibrationer, vassa kanter eller andra skadliga miljöeffekter. Kontrollen ska också ta hänsyn till effekterna av åldrande komponenter eller kontinuerliga vibrationer från kompressorer eller fläktar.

## **13. Detektering av brännbara kylmedel**

Under inga omständigheter får potentiella antändningskällor användas för att söka efter eller upptäcka köldmediumsläckor. En halid-läcksökare (eller annan detektor med öppen låga) får inte användas.

## **14. Läcksökningsmetoder**

Följande metoder för läcksökning anses godtagbara för system som innehåller brandfarliga köldmedier. Elektroniska läcksökare ska användas för att upptäcka brandfarliga köldmedier, men känsligheten är eventuellt inte tillräcklig eller kan behöva kalibreras om. (Detektionsutrustningen ska kalibreras i ett köldmediumsfritt utrymme). Se till att detektorn inte är en potentiell antändningskälla och lämpar sig för köldmediumet som används.

Utrustningen för läcksökning ska ställas in på en procent av kylmedlets LFL och kalibreras för det köldmedium som används så att lämplig procentandel gas (max 25 %) bekräftas. Läcksökningsvätskor passar för de flesta köldmedium, men användning av rengöringsmedel som innehåller natriumhypoklorit ska undvikas eftersom natriumhypoklorit kan reagera med köldmedium och korrodera kopparrör.

Om man misstänker en läcka ska alla öppna lågor tas bort/släckas. Om en köldmediumsläcka identifieras som kräver hårdlödning ska allt köldmedium tömmas ur systemet eller isoleras (med hjälp av avstängningsventiler) i en del av systemet på betryggande avstånd från läckan. Syrefritt kväve (OFN) ska sedan blåsas genom systemet både före och under hårdlödningsarbetet.

## **15. Borttagning och avluftning**

När man öppnar en köldmediumskrets för att utföra reparationer (eller av andra skäl) ska konventionella procedurer följas. Det är dock viktigt att följa vedertagen praxis eftersom brandfara föreligger. Följande rutiner ska följas:

- Avlägsna köldmediet.
- Rengör kretsen med inert gas.
- Avlufta.
- Rengör på nytt med inert gas.
- Öppna kretsen genom skärning eller hårdlödning.

Köldmediet ska återvinnas i rätt uppsamlingsbehållare. Systemet ska spolras med OFN för att göra enheten säker. Processen kan behöva upprepas flera gånger. Komprimerad luft eller syre får inte användas för detta ändamål. Spolning görs genom att bryta vakuemet i systemet med OFN och genom att fortsätta att fylla på tills arbetstryck uppnås, följt av avluftning till atmosfären och slutligen gå ner till ett vakuum.

Denna process ska upprepas tills inget köldmedium finns kvar i systemet.

När den slutliga OFN-mängden används ska systemet avluftas ner till atmosfärstryck så att arbetet kan utföras. Denna åtgärd är helt avgörande för att det ska gå att hårdlöda på rörledningarna. Se till att utloppet för vakuumpumpen inte är nära någon antändningskälla och att det finns ventilation.

## **16. Påfyllningsprocedurer**

Förutom konventionella påfyllningsprocedurer ska följande krav uppfyllas:

- Se till att det inte förekommer kontaminering av olika köldmedier när påfyllningsutrustning används. Slangar eller ledningar ska vara så korta som möjligt för att minimera mängden köldmedium i dem.
- Behållare ska stå upprätt.

- Se till att kylsystemet är jordat innan köldmedium fylls på i systemet.
- Märk systemet när påfyllningen är klar (om det inte redan gjorts).
- Var extremt försiktig för att inte överfylla kylsystemet.
- Innan systemet fylls på igen ska det trycktestas med OFN. Systemet ska läcktestas efter avslutad påfyllning innan det tas i drift. Ett uppföljningsläcktest ska göras innan platsen lämnas.

## **17. Urdriftstagning**

Innan denna procedur utförs, är det mycket viktigt att teknikern är fullständigt bekant med utrustningen in i minsta detalj. Enligt vedertagen praxis ska alla köldmedier återvinnas på ett säkert sätt.

Om analys är nödvändig innan det återvunna köldmediet återanvänds ska ett olje- och köldmedieprov tas. Det är mycket viktigt att det finns elektrisk ström innan uppgiften påbörjas.

- a) Bekanta dig med utrustningen och dess funktioner.
- b) Isolera systemet elektriskt.
- c) Innan proceduren utförs ska du se till att:
  - Utrustning för mekanisk hantering finns tillgänglig (vid behov) för hantering av köldmediumsbehållare.
  - All personlig skyddsutrustning finns att tillgå och används på rätt sätt.
  - Återvinningsprocessen hela tiden övervakas av en behörig person.
  - Återvinningsutrustning och –behållare uppfyller tillämpliga standarder.
- d) Pumpa ner kylsystemet, om möjligt.
- e) Om det inte går att åstadkomma vakuum, använd ett grenrör så att kylmedel kan avlägsnas från olika delar av systemet.
- f) Se till att behållaren står på vågen innan återvinning sker.
- g) Starta återvinningsmaskinen och arbeta i enlighet med tillverkarens anvisningar.
- h) Överfyll inte behållarna (högst 80 % volym flytande mängd).

- i) Överskrid inte det maximala arbetstrycket i cylindern, ens tillfälligt.
- j) När behållarna har fyllts på rätt sätt och processen avslutats ska du se till att behållarna och utrustningen avlägsnas från platsen omedelbart och att alla avstängningsventiler på utrustningen stängs.
- k) Återvunnet köldmedium ska inte laddas i ett annat kylsystem utan att det först har renats och kontrollerats.

### **18. Märkning**

Utrustning ska märkas på ett sätt som visar att det har tagits ur bruk och tömts på köldmedium. Dekalen ska vara daterad och undertecknad. Se till att det finns dekaler på utrustningen som anger att utrustningen innehåller brandfarligt köldmedium.

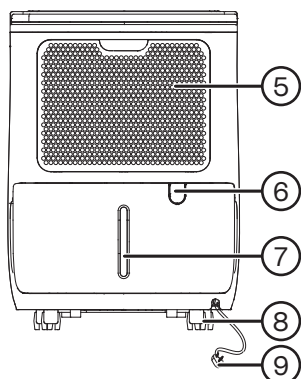
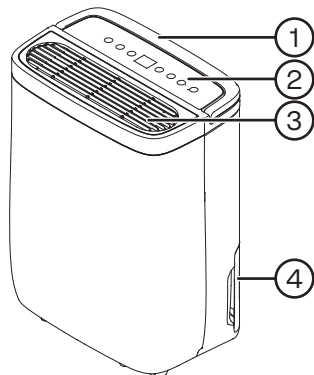
### **19. Återvinning**

När du avlägsnar köldmedium från ett system, antingen för service eller skrotning, är det vedertagen praxis att alla köldmedia tas bort på ett säkert sätt.

- Vid överföring av köldmedium till behållare, se till att endast lämpliga återvinningsbehållare för köldmedium används. Se till att rätt antal behållare finns tillgå för att ta hand om hela systemladdningen. Alla behållare som ska användas är avsedda för det återvunna köldmediet och märkta för detta köldmedium (d.v.s. specialbehållare för återvinning av medlet). Behållarna ska vara försedda med övertrycksventil och tillhörande avstängningsventiler i fullt funktionsdugligt skick.
- Tomma återvinningsbehållare töms och avluftas och kyls, om möjligt, ner innan återvinning sker.
- Återvinningsutrustningen ska vara i gott skick med anvisningar för den utrustning som finns till hands och ska vara lämplig för återvinning av brandfarliga köldmedier. Dessutom ska en uppsättning kalibrerade vågar vara tillgängliga och i fullt funktionsdugligt skick.

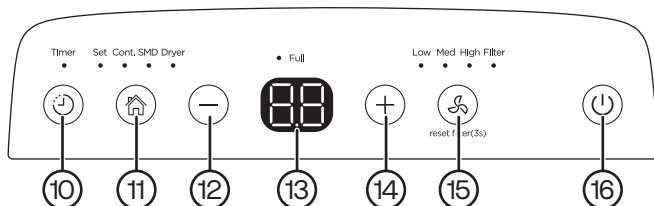
- Slangar ska vara kompletta med läckagefria kopplingar och i gott skick. Innan du använder återvinningsmaskinen, kontrollera att den är i tillfredsställande funktionsdugligt skick, har underhållits korrekt och att eventuella tillhörande elektriska komponenter är tätade för att förhindra antändning i händelse av utsläpp av köldmedium. Kontakta tillverkaren om du är osäker.
- Det återvunna köldmediet ska återlämnas till köldmedieleverantören i rätt återvinningsbehållare med relevant överföringsdokument bifogat. Blanda inte köldmedia i återvinningsenheter och i synnerhet inte i behållarna.
- Om kompressorer eller kompressoroljor ska avlägsnas, se till att de har tappats av till en godtagbar nivå för att se till att det inte finns kvar brandfarliga köldmedier i smörjmedlet. Avluftning ska ske innan kompressorn lämnas tillbaka till leverantörerna. Endast elvärme till kompressorchassit får användas för att påskynda denna process. När olja tappas av från ett system ska det ske på ett säkert sätt.

## Produktbeskrivning



- |                    |   |
|--------------------|---|
| 1. Handtag         | 5. Galler över luftinlopp med nätfilter               |
| 2. Kontrollpanel   | 6. Utgång för vattenslang vid kontinuerlig avfuktning |
| 3. Luftutlopp      | 7. Nivåfönster  |
| 4. Vattenbehållare | 8. Hjul   |
|                    | 9. Nätkabel   |

## Kontrollpanel



- |   |  |
|---|--|
| 10. Timer, inställning av start- och stopptid   | 12. Inställning av önskad luftfuktighetsnivå och timer   |
| 11. Val av funktion. Välj mellan:   | 13. Display  |
| - <b>Set:</b> Normal avfuktning styrd av inställd luftfuktighet.  | 14. Inställning av önskad luftfuktighetsnivå och timer   |
| - <b>Cont:</b> Kontinuerlig avfuktning, önskad luftfuktighet kan inte ställas in  | 15. Inställning av fläkthastighet:   |
| - <b>SMD:</b> Smart avfuktningssläge. Luftfuktigheten anpassas automatiskt inom området 45–55 % efter rummets temperatur.           | - <b>Low:</b> låg  |
| Ex: om rumstemperaturen sjunker höjs luftfuktigheten automatiskt till en behaglig nivå.   | - <b>Med:</b> medel  |
| - <b>Dryer:</b> Torkläge. Avfuktningssläge med maxhastighet på fläkten (kan inte sänkas). Önskad luftfuktighet kan inte ställas in. | - <b>High:</b> hög   |
|   | - <b>Filter:</b> <b>!</b> Indikator för ett filter som inte används på denna modell. Om indikatorn tänds, håll in knappen (15) i 3 sek. för att nollställa indikeringen. |
|   | 16. På/av  |

# Användning

## Placering

- Luftavfuktaren är endast avsedd för normal användning i hemmet på det sätt som beskrivs i den här bruksanvisningen.
- Använd inte luftavfuktaren i en lokal där temperaturen riskerar att falla under 5 °C.
- Se till att luftavfuktaren står stadigt på ett plant underlag som orkar bära dess vikt även då vattenbehållaren är fylld.
- Försäkra dig om att nätkabeln är lättåtkomlig och inte skadas av vassa kanter eller kläms på något sätt vid användning.
- Var extra uppmärksam när luftavfuktaren används i miljöer där spädbarn, små barn och äldre personer vistas.
- Luftavfuktaren bör placeras så att den kan dra åt sig luft från hela huset.
- Alla innerdörrar bör stå öppna. Stäng ytterdörrar och fönster.
- Om det finns stora problem med luftfuktighet i någon del av huset kan luftavfuktaren först placeras där för att sedan flyttas.
- Placera luftavfuktaren så att luften kan cirkulera ordentligt, lämna ett avstånd på minst 20 cm till närmaste vägg eller annan inredning.
- Placera inte luftavfuktaren intill värmeelement eller andra värmealstrande produkter.



- Vattenbehållaren måste vara korrekt monterad innan luftavfuktaren kan slås på.
- Tänk på att tömma vattenbehållaren innan luftavfuktaren flyttas.
- Tänk på att luftavfuktaren fungerar bäst i normal rumstemperatur och att effekten reduceras om rumstemperaturen sjunker under 15 °C.
- Låt luftavfuktaren arbeta kontinuerligt i 24 tim första gången den används.
- Om luftavfuktaren slås av och sedan omedelbart slås på igen tar det ca 3 min innan den uppnår full effekt. Om du slår av luftavfuktaren kan du vänta 3 min innan du slår på igen.
- Använd aldrig luftavfuktaren utan att gallret med nätfiltret är monterat.
- Om luftavfuktaren slås av, t.ex. genom strömavbrott, kommer den automatiskt att slås på igen när strömmen återkommer.

## Slå på/av luftavfuktaren

1. Läs alla instruktioner under avsnitten *Säkerhet* och *Placering* ovan.
2. Anslut nätkabeln till ett vägguttag med de specifikationer som anges under punkt 1 i avsnitt *Säkerhet* ovan.
3. Slå på luftavfuktaren genom att trycka [⏻].
4. Välj funktion **Set**, **Cont**, **SMD** eller **Dryer** enligt avsnittet *Kontrollpanel*.
5. Slå av luftavfuktaren genom att åter trycka [⏻]. Fläkten fortsätter gå en stund för att torka ur luftavfuktarens inre delar.



## Inställning av önskad luftfuktighet om funktion Set är vald



- När luftavfuktaren är påslagen visar displayen aktuell luftfuktighet i rummet där luftavfuktaren är placerad.
  - Om luftfuktigheten i rummet är t.ex. 40 % och apparaten är inställd för att uppnå en luftfuktighet på 60 % kommer kompressorn inte att arbeta.
1. Tryck [-] eller [+] för att ställa in önskad luftfuktighet. Inställning är möjlig från 35–85 % RH (relativ luftfuktighet) i steg om 5 %.
  2. När önskad luftfuktighet uppnåtts kommer luftavfuktaren automatiskt att slås av.

## Timerinställning



### Ställ in stopptid

1. Se till att luftavfuktaren är **påslagen**.
2. Tryck på timerknappen (10).
3. Ställ in önskad stopptid genom att trycka eller hålla in [-] eller [+]. Tiden ändras i steg om 30 min upp till 10 tim. Därefter i steg om 60 min. Displayen visar inställd tid i 5 sek för att sedan återgå till föregående visning.

### Ställ in starttid

1. Se till att luftavfuktaren är **avslagen**.
2. Tryck på timerknappen (10).
3. Ställ in önskad starttid genom att trycka eller hålla in [-] eller [+]. Tiden ändras i steg om 30 min upp till 10 tim. Därefter i steg om 60 min upp till 24 tim. Displayen visar inställd tid i 5 sek för att sedan återgå till föregående visning.



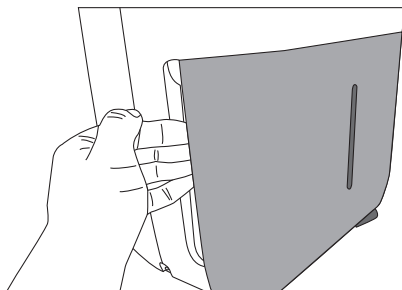
- Tryck när som helst på timerknappen (10) för att kontrollera inställningarna.
- Tryck när som helst på timerknappen (10) och tryck eller håll in [-] eller [+] för att ändra inställningarna.
- Om luftavfuktaren slås av efter att timerinställningar gjorts kommer inställningarna att raderas.
- Om vattenbehållaren blir full (displayen visar "P2") när luftavfuktaren arbetar inom inställd timetid kommer inställningarna att raderas.

## Automatisk avstängning

- När vattenbehållaren blir full under användning stängs luftavfuktarens kompressor automatiskt av.
- Fläkten fortsätter gå en stund för att torka ur luftavfuktarens inre delar.
- Luftavfuktaren avger ljudsignal, LED-indikatorn "Full" blinkar och displayen visar "P2".

## Tömning av vattenbehållare

1. Dra ut nätkabeln ur vägguttaget.
2. Ta tag i vattenbehållarens handtag (ett på vardera sidan) och dra behållaren rakt ut.
3. Töm bort vattnet och sätt tillbaka vattenbehållaren. Luftavfuktaren startar automatiskt när vattenbehållaren återmonteras om avfuktaren stängts av automatiskt.

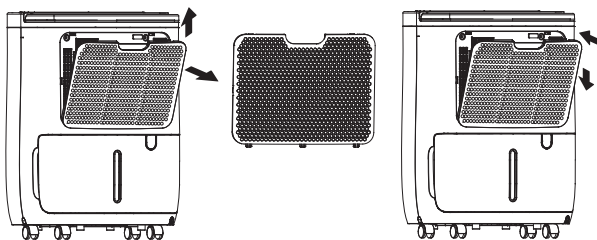


## Automatisk avfrostningsfunktion

- Luftavfuktaren är utrustad med automatisk avfrostningsfunktion. Frost kan bildas på komponenter inne i luftavfuktaren under vissa förhållanden. Avfrostningsfunktionen ser till att detta elimineras.
- Luftavfuktarens kompressor kommer att slås av när avfrostningsfunktionen aktiveras och fläkten fortsätter att gå tills frosten försvunnit.
- Ett porlande ljud kan uppkomma under avfrostning, detta är normalt.
- Inga inställningar kan eller behöver göras för denna funktion.

## Nätfilter

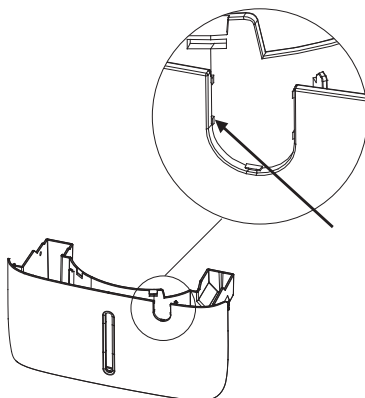
Ta loss gallret med nätfiltret (5) och dammsug det försiktigt var 14:e dag.



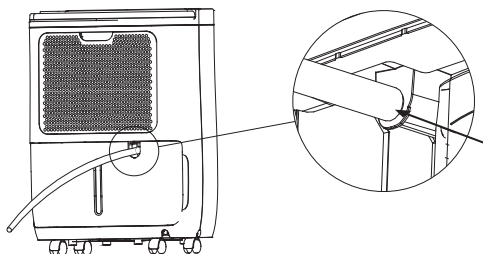
## Användning med dräneringsslang, funktion Cont (kontinuerlig avfuktning)

När luftavfuktaren används i en miljö med mycket hög luftfuktighet kommer vattenbehållaren att behöva tömmas ofta. Det kan då vara mer praktiskt att använda en dräneringsslang.

1. Tryck/bryt försiktigt bort plastbiten över slangutgången (6). Använd lämpligt verktyg och skrapa rent kanterna på utgången från ev. plastrester.



2. Anslut lämplig dräneringsslang (säljs separat) med 13,5 mm innerdiameter. Försäkra dig om att slangen sitter fast och tätar ordentligt så att inte vattenläckage uppstår.
3. Placera andra änden av slangen i lämplig golvbrunn som ligger lägre än dräneringsslangens anslutning på luftavfuktaren.



4. Tänk på att placera slangen så att vattnet kan rinna fritt. Undvik veck och se till att slangen inte kläms på annat sätt.
5. För att koppla bort slangen, slå av luftavfuktaren, dra ut nätkabeln ur vägguttaget och ta bort slangen från anslutningen.

## Skötsel och underhåll



- Stäng av luftavfuktaren och dra ut stickproppen ur vägguttaget innan rengöring eller service utförs.
- Diska inte vattenbehållaren i diskmaskin.
- Rengör luftavfuktaren utvändigt med en lätt fuktad trasa. Använd ett mildt rengöringsmedel, aldrig lösningsmedel eller frätande kemikalier.
- Dammsug luftavfuktarens hölje över luftens in- och utlopp.
- Ta bort vattenbehållaren (se avsnitt Tömning av vattenbehållare ovan) var 14:e dag och diska ur den för hand med ett mildt diskmedel. Skölj ur med rent vatten.
- Rengör nätfiltret var 14:e dag, se avsnitt *Nätfiltre*.
- Om luftavfuktaren inte ska användas under en längre period:
  - Stäng av luftavfuktaren och dra ut nätkabeln ur vägguttaget.
  - Rengör höljet ordentligt.
  - Vänta ett dygn med att ta bort vattenbehållaren så att allt vatten hinner rinna ner från luftavfuktaren.
  - Ta bort vattenbehållaren, torka ur den ordentligt och montera tillbaka den.
  - Ta bort nätfiltret, dammsug och montera tillbaka.
  - Förvara luftavfuktaren upprätt på en torr, välventilerad plats.

# Felsökningsschema

Luftavfuktaren startar inte.	<ul style="list-style-type: none"> <li>• Kontrollera att nätkabeln är ordentligt ansluten till vägguttaget och försäkra dig om att det finns ström i vägguttaget.</li> <li>• Vattenbehållaren är full eller felaktigt monterad.</li> <li>• Inställd luftfuktighet har uppnåtts.</li> </ul>
Luften avfuktas inte.	<ul style="list-style-type: none"> <li>• Luftavfuktaren har använts under för kort tidsperiod.</li> <li>• Försäkra dig om att inget hindrar luften i utrymmet där luftavfuktaren används från att cirkulera ordentligt.</li> <li>• Inställningen för luftfuktighet är inte satt tillräckligt lågt.</li> <li>• Kontrollera att inte utomhusluft kan tränga in i utrymmet där luftavfuktaren används.</li> <li>• Rumstemperaturen är lägre än 15 °C.</li> <li>• Finns det en värmekälla i rummet som ökar luftfuktigheten?</li> </ul>
Missljud uppstår vid användning.	<ul style="list-style-type: none"> <li>• Kontrollera att nätfiltret är rent, dammsug vid behov.</li> <li>• Luftavfuktaren lutar eller står på ett ojämnt underlag.</li> </ul>
Fel- eller skyddskoder (visas i luftavfuktarens display).	<p><b>EH60:</b> Defekt luftfuktighetssensor. Dra ut nätkabeln ur vägguttaget och sätt i den igen. Om detta inte löser problemet kontakta kvalificerad service.</p> <p><b>EH61:</b> Defekt temperatursensor. Dra ut nätkabeln ur vägguttaget och sätt i den igen. Om detta inte löser problemet kontakta kvalificerad service.</p> <p><b>P2:</b> Vattenbehållaren är full eller felaktigt monterad. Töm eller montera korrekt.</p> <p><b>EH2, EH3, EH0b:</b> Andra defekter. Dra ut nätkabeln ur vägguttaget och sätt i den igen. Om detta inte löser problemet kontakta kvalificerad service.</p>

## Avfallshantering

Denna symbol innebär att produkten inte får kastas tillsammans med annat hushållsavfall. Detta gäller inom hela EU. För att förebygga eventuell skada på miljö och hälsa, orsakad av felaktig avfallshantering, ska produkten lämnas till återvinning så att materialet kan tas omhand på ett ansvarsfullt sätt. När du lämnar produkten till återvinning, använd dig av de returhanteringsystem som finns där du befinner dig eller kontakta inköpsstället. De kan se till att produkten tas om hand på ett för miljön tillfredställande sätt.



## Specifikationer

<b>Nätanslutning</b>	220–240 V AC, 50 Hz	<b>Ljudnivå</b>	41/39/36 dB(A)
<b>Effekt</b>	360 W	<b>Drifttemperatur</b>	5–32 °C
<b>Avfuktningsskapacitet</b>	Upp till 10 l/dygn	<b>Kylmedia</b>	R290
<b>Rekomenderad rumstorlek</b>	16–31 m <sup>2</sup>	<b>Mått</b>	44 × 33 × 22 cm
<b>Kapacitet vattenbehållare</b>	1,6 l	<b>Vikt</b>	11,6 kg

# Luftavfukter

Art.nr. 36-8321      Modell MDDQ-10DEN7-QA3

Les gjennom hele bruksanvisningen før produktet tas i bruk, og ta vare på den for fremtidig bruk. Vi tar forbehold om eventuelle feil i tekst og bilder, samt endringer av tekniske data. Ved tekniske problemer eller andre spørsmål, kontakt vårt kundesenter (se kontaktinformasjon på baksiden).

## Sikkerhet

- Produktet må kun kobles til en jordet kontakt (230 V, 50 Hz) som er utstyrt med jordfeilbryter.
- Produktet kan benyttes av barn fra 8 år og av personer med funksjonshemming og manglende erfaring og kunnskap om produktet, dersom de har fått opplæring om sikker bruk av produktet. Det er dog viktig at de forstår faren ved bruk av det.
- Produktet må ikke brukes av personer (inkl. barn) med begrensede fysiske eller mentale ferdigheter. Det må heller ikke benyttes av personer som ikke har tilstrekkelig erfaring og kunnskap, dersom de ikke har fått instruksjoner om bruken av noen som har ansvaret for deres sikkerhet.
- Dersom strømledningen er skadet skal den, for å unngå elektrisk støt eller brann, kun skiftes av produsenten, på et serviceverksted eller av annen fagperson.
- La aldri barn leke med produktet.
- Produktet må alltid stå oppreist.
- Man må ikke sitte seg på produktet eller plassere gjenstander oppå det.
- Før produktet tas i bruk første gang skal det stå i oppreist posisjon i minst én time før det tas i bruk. Det samme gjelder dersom det av en eller annen grunn, som f.eks. etter rengjøring eller flytting, har vært ute av vater.
- Bruk aldri produktet dersom støpselet, strømledningen eller andre deler er skadet eller ikke fungerer normalt.
- Du må ikke selv demontere eller forsøke å reparere produktet.

- Hvis produktet skal brukes med skjøteledning eller grenuttak må du forsikre deg om at disse er godkjent til bruk sammen med dette produktet.
- Berør ikke støpselet med våte hender når det skal plugges til eller trekkes ut av kontakten.
- Stikk aldri gjenstander inn i produktets åpninger.
- Dersom det kommer røyk, merkelig lukt eller lyd fra produktet må støpselet umiddelbart trekkes ut.
- Dersom produktet faller ned i eller blir overskylt av vann må støpselet trekkes ut umiddelbart. Ta kontakt med kvalifiserte servicepersoner før produktet tas i bruk igjen.
- Produktet må ikke tildekkes. Påse at ikke fremmede gjenstander dekker til eller trenger inn i luftinntak/-utløp. Det kan føre til elektrisk støt, brann eller at produktet blir ødelagt.
- Trekk alltid støpselet ut av kontakten når produktet ikke er i bruk.
- Bruk aldri støpselet til å starte eller stoppe produktet. Produktet skal styres med på/av-knappen.
- Før produktet skal flyttes på: Skru av luftavfukteren, trekk støpselet ut av stikkkontakten og tøm vanntanken.
- Ikke utsett produktet for rennende vann eller andre væske.
- Hvis flytende væsker kommer i kontakt med de elektriske delene kan det oppstå livsfarlige situasjoner.
- Pass på at produktet ikke faller ned i vann eller annen væske.
- Plasser aldri produktet nær gjenstander som kan føre til at væske skylles over det, som f.eks. blomstervaser eller drikke.



**Advarsel!** Ved bruk av kjølemedium R290.



**VIKTIG ANMERKNING:** Les denne bruksanvisningen grundig før du installerer og bruker luftavfukteren. Ta vare på bruksanvisningen for framtidig bruk.

- Ikke bruk andre midler enn de som er anbefalt av produsenten ved rengjøring eller til avriming av produktet.
- Bruk aldri produktet i lokaler hvor brannfarlige væsker/stoffer eller gasser (bensin, løsemidler, parafin etc.) oppbevares eller brukes.
- Sørg for at det ikke oppstår hull eller brannskader på produktet.
- Det er viktig å være klar over at kjølemedium kan være luktfrie.
- Produktet skal kun brukes i rom med en gulvflate på minst 4 m<sup>2</sup>.

## **Sikkerhetstiltak ved service**

All reparasjon skal utføres av kyndig servicepersonell og kun med originale reservedeler.

### **1. Kontroller området**

Før man starter service på systemer som inneholder brannfarlige stoffer må man forsikre seg om at det gjøres riktig for å redusere faren for brann. Ved reparasjoner av kjølesystemet skal man foreta følgende tiltak før arbeidene starter.

### **2. Prosedyre**

Arbeidet skal utføres i kontrollerte former for å redusere faren for at brannfarlige gasser og damp lekker ut mens arbeidene pågår.

### **3. Arbeidsområdet**

Alle personer, både de som utfører jobben og andre i nærheten, skal få beskjed om hvilken type arbeide som utføres. Unngå å jobbe i lukkede rom. Området rundt arbeidsplassen skal sperres av. Sørg for at det ikke er noen brannfarlige materialer i arbeidsområdet.

#### **4. Kontroll av forekomster av kjølemedium**

Området skal kontrolleres med en dertil egnet kjølemediumsdetektor før og under arbeidets gang for å eliminere eventuelle brannfarer. Sørg for at utstyret som brukes til lekkasjesøk er riktig å bruke til denne typen søk, dvs. ikke danner gnister og er riktig forseglet og sikkert.

#### **5. Tilgjengelig brannslukkere**

Dersom det skal utføres arbeider på kjøleutstyret eller tilhørende deler skal det alltid være brannslukningsutstyr lett tilgjengelig. Sørg for at det finnes en brannslukker (pulver eller CO<sub>2</sub>) ved påfyllingsområdet.

#### **6. Ingen antenningskilder.**

Personer som utfører arbeider i forbindelse med kjølesystemet, det vil si eksponering av rørsystem som inneholder eller har inneholdt brannfarlig kjølemedium, må ikke bruke åpen ild eller annet som kan danne gnister. Dette utgjør stor brann- og eksplosjonsfare. Alt som kan føre til brann, inklusiv røyking, bør holdes på betryggende avstand fra plassen for installasjon, reparasjon, demontering og kassering når det er fare for utslipp av brannfarlig kjølemedium. Før arbeidene startes skal området rundt utstyret undersøkes for å se til at det ikke finnes noen fare for antenning eller brann. Det skal skiltes med RØYKING FORBUDT-skilt.

#### **7. God ventilasjon**

Sørg for at området er åpent og godt ventilert før du åpner systemet og utfører noen form for arbeider med varme. Det må ventileres under hele arbeidsprosessen. Ventilasjonen skal spre kjølemediene ved et eventuelt utslipp og helst føre utslippet ut i frisk luft.



## **8. Kontroll av kjøleutstyr**

Ved skifte av elektriske komponenter skal disse være beregnet for formålet og oppfylle gjeldende krav.

Produsentens retningslinjer skal alltid følges ved service og vedlikeholdsarbeider. Dersom du er usikker, ta kontakt med produsentens tekniske avdeling og be om hjelp. Følgende kontroller skal utføres på anlegg som bruker brannfarlig kjølemedium:

- At mengden med kjølemedium er riktig i forhold til størrelsen på rommet hvor utstyret som inneholder kjølemedium skal brukes.
- At ventilasjonsanlegg og utløp fungerer som de skal og ikke er stengt.
- Hvis en indirekte kjølemediumskrets er i bruk, skal de sekundære kretsene kontrolleres for forekomst av kjølemedium. At all merking og skilting på utstyret holdes synlig og lesbart.
- Merking og skilting som er blitt uleselige skal erstattes med nye.
- Rør og komponenter skal installeres slik at de ikke risikerer å komme i kontakt med korroderende stoffer. Slike komponenter og rør skal være av korrosjonsbestandige materialer eller utstyrt med passende korrosjonsbeskyttelse.

## **9. Kontroll av elektrisk utstyr**

Reparasjoner og vedlikehold av elektriske komponenter skal omfatte innledende sikkerhetskontroller og inspeksjonsprosedyrer. Dersom det foreligger feil som kan utfordre sikkerheten må ikke strømforsyningen kobles til kretsen før dette er tilfredsstillende utbedret. Hvis feilen ikke kan utbedres umiddelbart og driften må fortsette, skal det benyttes en forsvarlig midlertidig løsning. Dette skal rapporteres til eieren av utstyret slik at alle parter er informert. Innledende sikkerhetskontroller skal inkludere:

- At kondensatorer er utladet: Dette skal utføres på en sikker måte for å unngå fare for gnistdannelse.

- Det skal ikke være noen strømførende elektriske komponenter eller synlige ledninger ved lading, resirkulering eller tømning/lufting av systemet.
- Systemet skal hele tiden være koblet til jord.

### **10. Reparasjon av forseglede komponenter**

Ved reparasjon av forseglede komponenter skal strømmen være frakoblet før forseglede deksler og liknende åpnes. Dersom det er absolutt nødvendig med elektrisk forsyning under servicen skal en permanent form for lekkasjesøkingsutstyr være tilkoblet ved de mest kritiske punktene for å kunne varsle om potensielle farlige situasjoner.

Vær spesielt oppmerksom på følgende punkter ved arbeid med elektriske komponenter for å sikre at dekselet ikke endres på en slik måte at beskyttelsesnivået påvirkes. Dette inkluderer skader på kabler, altfor mange koblinger, terminaler som ikke oppfyller den opprinnelige spesifikasjonen, skader på pakninger, feil montering av kabelskjøter osv.

- Påse at apparatet er montert riktig.
- Sørg for at pakninger og tetningsmateriale ikke har blitt svekket med tiden og ikke fungerer som de skal. Da kan gass trenge inn i systemet. Reservedeler skal oppfylle produsentens krav og spesifikasjoner.

**Obs!** Bruk av silikon kan hemme effekten av endel utstyr ved lekkasjesøking. Egenkontrollerte komponenter trenger ikke å isoleres før man jobber med dem.

### **11. Reparasjon av egensikre komponenter**

Ikke bruk permanent induktive eller kapasitive belastninger på kretsen uten å ha kontrollert at disse ikke overstiger den tillatte spenningen og strømstyrken for utstyret som brukes. Egensikrede strømførende komponenter er de eneste delene som arbeidet kan utføres på ved brannfarlige plasser. Testeapparatet må være riktig klassifisert. Komponenter skal kun erstattes med deler som produsenten anbefaler. Andre deler kan føre til at det lekker kjølemedium ut i luften og det oppstår fare for antennelse.

## **12. Kabling**

Kontroller at kablene ikke utsettes for slitasje, korrosjon, overdrevet trykk, vibrasjoner, skarpe kanter eller andre skadelige miljøeffekter. Kontrollen skal også ta hensyn til effekten av komponenter som eldes eller er utsatt for kontinuerlige vibrasjoner fra kompressorer eller vifter.

## **13. Detektering av brennbart kjølemedie**

Det må ikke under noen omstendigheter benyttes noe som kan antennes ved søking etter eller detektering av kjølemediumlekkasjer. Det skal ikke brukes lekkasjesøker med åpen flamme.

## **14. Metoder for søk etter lekkasje**

Følgende metoder for søk etter lekkasje i systemer med brannfarlig kjølemedium anses for å være akseptable. Elektroniske lekkasjedetektorer bør benyttes for å detektere brennbare kjølemedier, men følsomheten er kanskje ikke tilstrekkelig eller må kalibreres på nytt. (Deteksjonsutstyret skal kalibreres på et sted som er fritt for kjølemedium). Sørg for at detektoren ikke er en potensiell antenningskilde og er beregnet for kjølemediet som benyttes.

Utstyret for lekkasjesøking skal justeres til en prosent av kuldemediets LFL og kalibreres for det kjølemediet som benyttes, slik at egnet prosentandel gass (maksimalt 25 %) bekreftes. Væsker for lekkasjesøk kan brukes til de fleste kjølemedier, men du bør unngå å bruke rengjøringsmidler som inneholder natriumhypokloritt, fordi dette stoffet kan reagere med kjølemedium og forårsake korrosjon på kobberør.

Hvis du mistenker at det har oppstått en lekkasje, må all åpen ild fjernes/slukkes. Hvis du har avdekket en kjølemediumlekkasje som krever hardlodding, må alt kjølemedium fjernes fra systemet eller isoleres (ved hjelp av lukkeventiler) i en del av systemet, på sikker avstand fra lekkasjen. Deretter skal det blåses oksygenfritt nitrogen (OFN) gjennom systemet både før og under loddearbeidet.

## **15. Fjerning og utlufting**

Når du har åpnet en kjølemediumkrets i forbindelse med reparasjoner eller av andre årsaker, skal du følge konvensjonelle prosedyrer. Det er viktig at du følger fastsatte rutiner ettersom det foreligger fare for brann. Følgende rutiner skal følges:

- Fjern kjølemediet.
- Rengjør kretsen med inertgass.
- Luft ut.
- Rengjør en gang til med inertgass.
- Åpne kretsen ved å kappe eller lodde.

Kjølemediet må resirkuleres i riktig type beholder. Systemet skal spyles med Oksygenfri Nitrogen (OFN) for at enheten skal bli helt sikker. Prosessen kan trenge flere repetisjoner. Det må ikke benyttes trykkluft eller oksygen til dette formålet. Spyling gjøres ved å bryte vakuemet i systemet med OFN og ved å fortsette å fylle på til arbeidstrykket er oppnådd, etterfulgt av å luften ut til atmosfæren og til slutt gå ned til et vakuum.

Denne prosessen skal gjentas til det ikke er mer kjølemedium igjen i systemet.

Når den endelige OFN-mengden benyttes, må systemet luftes ned til atmosfærisk trykk slik at ønskede arbeider kan utføres. Dette er helt avgjørende for at man skal kunne lodde rørledningene. Sørg for at utløpet for vakuumpumpen ikke er nær noe antennbart og at det er god ventilasjon.

## **16. Påfyllingsprosedyrer**

I tillegg til de vanlige påfyllingsprosedyrene skal også følgende krav oppfylles:

- Sørg for at det ikke forekommer kontaminering av forskjellige kjølemedier når påfyllingsutstyret brukes. Slanger eller ledninger skal være så korte som mulig for å redusere mengden med kjølemedium i dem.
- Beholdere skal stå oppreist.

- Sørg for at kjølesystemet er jodet før det fylles kjølemedium i systemet.
- Merk systemet når påfyllingen er utført (dersom det ikke allerede er utført).
- Vær ekstremt forsiktig og ikke fyll på for mye i kjølesystemet.
- Før systemet fylles igjen skal det trykktestes med OFN. Systemet skal testes for lekkasje før det tas i bruk etter påfylling. En oppfølgingstest for sjekking av lekkasje skal foretas før plassen forlattes.

### **17. Avvikling**

Før denne prosedyren utføres er det svært viktig at teknikeren er helt kjent med utstyret ned til den minste detalj. I henhold til gjeldende praksis skal alle kjølemedier resirkuleres på en sikker måte.

Hvis analyse er nødvendig før gjenbruk av det gjenvunne kjølemediet, må det foretas en olje- og kjølemedieprøve. Det er svært viktig at det finnes elektrisk strøm tilgjengelig før dette startes.

- a) Gjør deg kjent med utstyret og dets funksjoner.
- b) Isoler systemet elektrisk.
- c) Før prosedyren utføres skal du sørge for at:
  - Nødvendig mekanisk utstyr er tilgjengelig (dersom det trengs) for håndtering av kjølemediumbeholdere.
  - At alt verneutstyr som trengs er tilgjengelig og brukes riktig.
  - Gjenvinningsprosessen skal overvåkes kontinuerlig av en kvalifisert person.
  - Gjenvinningsutstyr og beholdere oppfyller gjeldende krav.
- d) Pump ned kjølesystemet, dersom det er mulig.
- e) Hvis det ikke er mulig å oppnå vakuum, så benytt et grenrør slik at kjølemiddelet løsner fra de forskjellige delene i systemet.
- f) Påse at beholderen står på vekten før gjenvinningen starter.
- g) Start gjenvinningsmaskinen og utfør arbeidene etter produsentens anbefalinger.

- h) Fyll ikke beholderne for fulle (maks 80 % av volumet).
- i) Overskrid ikke det maksimale arbeidstrykket i sylineren, ikke engang midlertidig.
- j) Når beholderne er fylt riktig og prosessen avsluttet skal du sørge for at beholderne og utstyret løsnes umiddelbart og at alle lukkeventiler på utstyret stenges.
- k) Gjenvunnet kjølemedium skal ikke brukes i andre kjølesystemer før det har blitt kontrollert og rensset.

### **18. Merking**

Utstyret skal merkes slik at det er tydelig at det er tatt ut av drift. Deretter skal det tømmes for kjølemedium. Skiltene skal være datert og signert. Påse at det finnes skilting på utstyret som angir at det inneholder brannfarlig kjølemedium.

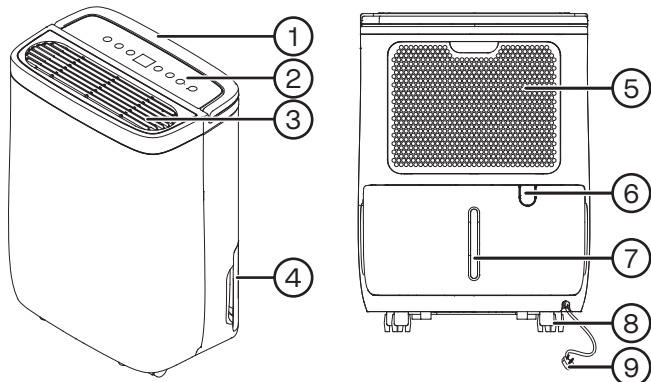
### **19. Gjenvinning**

Når du fjerner kjølemedium fra et system, enten det skal vedlikeholdes eller kasseres, skal alt kuldemediet tas hånd om på en forsvarlig måte.

- Når kjølemediet skal over i beholder, må man påse at det brukes beholdere som er godkjent til dette. Påse at du har riktig antall beholdere klar så du får plass til alt kjølemediet. Alle beholdere som skal brukes til det resirkulerbare materialet skal være godkjent til denne bruken og merket med det den inneholder (dvs. spesialbeholder for gjenvinning av middelet). Beholderne skal ha overtrykksventiler og tilhørende lukkeventiler som fungerer som de skal.
- Tomme gjenvinningsbeholdere tømmes, luftes og kjøles ned, dersom dette er mulig, før gjenvinning.
- Utstyret for gjenvinning skal være i god stand og med bruksanvisninger. Det skal også være beregnet for gjenvinning av brannfarlige kjølemedier. I tillegg skal det finnes kalibrerte vekter, som fungerer som de skal.

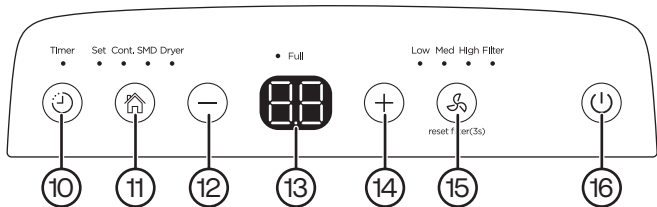
- Slanger skal være komplette med helt tette koblinger og de må være i god stand. Før du bruker gjenvinningsmaskinen, må du kontrollere at den er i god stand, har blitt vedlikeholdt på riktig måte og at eventuelle tilhørende elektriske komponenter er tette, slik at det ikke oppstår antenning hvis det slippes ut kjølemedium. Kontakt produsenten hvis du er i tvil.
- Det resirkulerte kjølemediet skal leveres til leverandøren i godkjente beholdere, og det skal følge med relevante overføringsdokumenter. Du må ikke blande kjølemedium i gjenvinningsenheter og spesielt ikke i beholderne.
- Hvis kompressorer eller kompressoroljer skal fjernes, må du påse at de er tappet ned til akseptabelt nivå, slik at det ikke finnes brannfarlige kjølemedier i smøremiddelet. Kompressoren skal luftes før den leveres tilbake til leverandøren. Det må kun brukes elektrisk varme til påskynding av denne prosessen. Når olje skal tømmes fra et system skal det skje på en sikker måte.

# Produktbeskrivelse



- |                  |  |
|------------------|--|
| 1. Håndtak       | 5. Gitter med filter over luftinntak               |
| 2. Kontrollpanel | 6. Uttak for vannslange ved kontinuerlig avfukting |
| 3. Luftutløp     | 7. Nivåmåler                                       |
| 4. Vannbeholder  | 8. Hjul  |
|                  | 9. Strømkabel                                      |

## Kontrollpanel



- |   |   |
|---|---|
| 10. Timer, innstilling av start- og stopp   | 12. Innstilling av ønsket luftfuktighetsnivå og timer   |
| 11. Valg av funksjon. Velg mellom:  | 13. Display   |
| - <b>Set:</b> Normal avfukting styrt av innstilt luftfuktighet.   | 14. Innstilling av ønsket luftfuktighetsnivå og timer   |
| - <b>Cont:</b> Kontinuerlig avfukting, her kan man ikke stille inn ønsket luftfuktighet.  | 15. Innstilling av hastighet på viften:   |
| - <b>SMD:</b> Smart avfuktingsinnstilling. Luftfuktigheten tilpasses automatisk innenfor et område på 45–55 % avhengig av rommets temperatur. Eks.: Dersom romtemperaturen synker heves luftfuktigheten automatisk til et mer behagelig nivå. | - <b>Low:</b> lav   |
| - <b>Dryer:</b> Opptørkingsinnstilling. Luftavfuktingsinnstilling med maks hastighet på viften (kan ikke senkes). Ønsket luftfuktighet kan ikke stilles inn.  | - <b>Med:</b> middels;  |
|   | - <b>High:</b> høy  |
|   | - <b>Filter:</b> <b>1</b> Indikator for et filter som ikke skal brukes til denne modellen. Dersom indikatoren tennes, hold knappen (15) inne i 3 sekunder for å nullstille. |
|   | 16. På/av   |

Norsk



# Bruk

## Plassering

- Avfukteren er kun beregnet for normal bruk i private hjem, og kun slik som det beskrives i denne bruksanvisningen.
- Luftavfukteren skal ikke brukes i omgivelser hvor det er fare for at temperaturen kan synke til under 5 °C.
- Påse at luftavfukteren står stabilt på et flatt, vannrett underlag som er beregnet for å bære vekten selv med full vannbeholder.
- Sørg for at strømkabelen er lett tilgjengelig og ikke blir skadet av skarpe kanter, og at den ikke kommer i klem.
- Vær ekstra oppmerksom når luftavfukteren brukes i miljøer hvor spedbarn, små barn og eldre personer oppholder seg.
- Produktet bør plasseres slik at det kan trekke til seg luft fra hele boligen.
- Alle innvendige dører bør være åpne. Lukk ytterdør(er) og vinduer.
- Dersom det er store problemer med fuktighet i spesielle deler av huset kan luftavfukteren plasseres der først for seinere å flyttes.
- Plasser luftavfukteren slik at luften kan sirkulere fritt rundt den. Den bør plasseres med en minsteavstand på 20 cm fra nærmeste vegg eller annen innredning.
- Plasser aldri luftavfukteren inntil varmeovner eller varme flater.



- Vannbeholderen må være riktig montert før luftavfukteren kan startes.
- Husk å tømme vannbeholderen før luftavfukteren flyttes.
- Husk at luftavfukteren virker best ved normal romtemperatur og at effekten reduseres når romtemperaturen synker til under 15 °C.
- La avfukteren gå kontinuerlig i 24 timer den første gangen den tas i bruk.
- Når avfukteren skrur av og deretter på igjen umiddelbart, vil det ta ca. 3 minutter før den oppnår full effekt igjen. Når du skrur av luftavfukteren bør du vente i 3 minutter før den skrur på igjen.
- Bruk aldri luftavfukteren uten at gitteret med luftfilteret er montert.
- Hvis luftavfukteren slås av, f.eks. ved strømbrydd, skrur den på automatisk igjen når strømmen kommer tilbake.

## Slå på/av luftavfukteren

1. Les alle instruksjoner under avsnittene *Sikkerhet* og *Plassering* ovenfor.
2. Støpselet kobles til en kontakt med de spesifikasjonene som er nevnt under punkt 1 i avsnittet *Sikkerhet* ovenfor.
3. Start luftavfukteren ved å trykke på **[⏻]**.
4. Velg innstilling **Set**, **Cont**, **SMD** eller **Dryer** som er beskrevet i avsnittet *Kontrollpanel*.
5. Steng luftavfukteren ved å trykke på **[⏻]**. Viften fortsetter å gå en liten stund for at luftavfukteren skal bli tørr inni.

## Innstilling av ønsket luftfuktighet når luftfukteren er innstilt på Set



- Når luftavfukteren er skrudd på viser displayet den aktuelle luftfuktighet i rommet.
  - Hvis luftfuktigheten i rommet for eksempel er 40 % og luftavfukteren er innstilt for å oppnå 60 % luftfuktighet vil den ikke virke.
1. Trykk [-] eller [+] for å stille inn ønsket luftfuktighet. Den kan stilles inn på mellom 35 og 85 % RH (relativ luftfuktighet) i trinn på 5 % av gangen.
  2. Når ønsket luftfuktighet oppnås vil avfukteren automatisk skrus av.

## Timerinnstilling



### Still inn stopptidspunkt

1. Sørg for at luftavfukteren er **på**.
2. Trykk på timerknappen (10).
3. Still inn tiden for når du ønsker at luftavfukteren skal stoppe med [-] eller [+]. Tiden endres i trinn på 30 minutter opp til 10 timer. Deretter i trinn på 60 minutter. Displayet viser innstilt tid i 5 sekunder for deretter å gå tilbake til foregående visning.

### Still inn starttid

1. Sørg for at luftavfukteren er **skrudd av**.
2. Trykk på timerknappen (10).
3. Still inn ønsket starttid ed å trykke på eller holde [-] eller [+] inne. Tiden endres i trinn på 30 minutter opp til 10 timer. Deretter i trinn på 60 minutter opp til 24 timer. Displayet viser innstilt tid i 5 sekunder for deretter å gå tilbake til foregående visning.



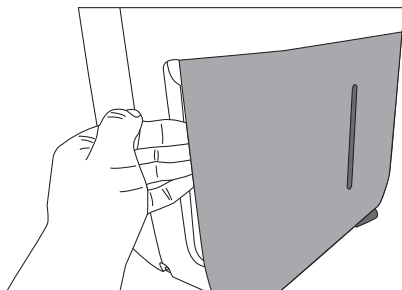
- Trykk når du måtte ønske det på timerknappen (10) for å kontrollere innstillingene.
- Trykk når du måtte ønske det på timerknappen (10) og trykk på eller hold [-] eller [+] inne for å endre innstillingene.
- Hvis luftavfukteren slås av etter at innstillingene for timer er utført vil innstillingene bli slettet.
- Hvis vannbeholderen bli full og displayet viser «P2» når luftavfukteren er aktivert innenfor innstilt tid på timeren vil innstillingene slettes.

## Automatisk stenging

- Når vannbeholderen blir full vil luftavfukterens kompressor stenges automatisk.
- Viften fortsetter å gå en liten stund for at delene inni luftavfukteren skal tørke.
- Luftavfukteren avgir lydsignal, LED-indikatoren «Full» blinker og displayet viser «P2».

## Tømming av vannbeholderen

1. Trekk støpselet ut fra kontakten.
2. Ta tak i håndtakene som sitter på siden av vannbeholderen og trekk beholderen rett ut.
3. Tøm ut vannet og sett vannbeholderen tilbake igjen. Luftavfukteren starter automatisk når vannbeholderen settes på plass igjen dersom avfukteren er blitt skrudd av automatisk.

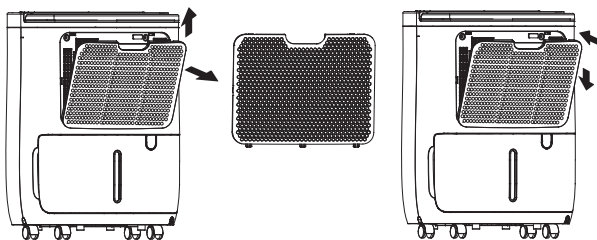


## Automatisk avising

- Luftavfukteren er utstyrt med en funksjon for automatisk avising. Under enkelte forhold kan det bygges opp is på komponenter inni luftavfukteren. Avisingsfunksjonen sørger for å fjerne dette.
- Luftavfukterens kompressor vil skrus av når avisingsfunksjonen aktiveres, og viften fortsetter å gå til isen har forsvunnet.
- Under avising kan det komme lyder av luftavfukteren noe som er helt normalt.
- Denne funksjonen krever ingen innstillinger.

## Luftfilter

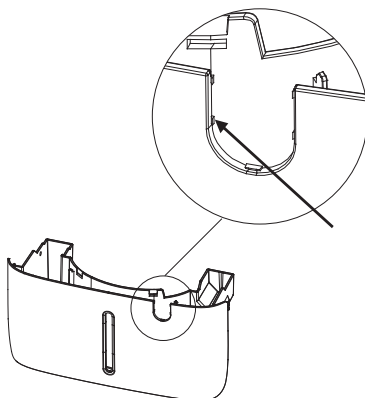
Løsne på gitteret med luftfilteret (5) og støvsug det forsiktig hver 14. dag.



## Ved bruk med dreneringslange, innstilling Cont (kontinuerlig avfukting)

Når luftavfukteren brukes i et miljø med svært høy luftfuktighet, må vannbeholderen tømmes ofte. Det kan da være mer praktisk å koble til en dreneringslange.

1. Trykk forsiktig bort plastdelen som sitter over slangeuttaket (6). Bruk et passende verktøy og skrap vekk eventuelle plastrester fra kanten på uttaket.

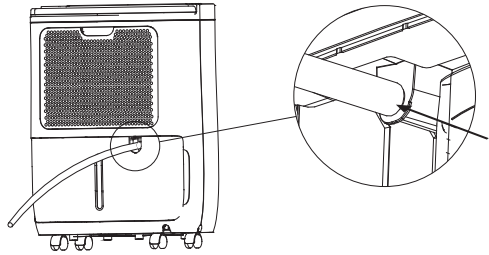


2. Koble til en passende avløpslange (selges separat) med 13,5 mm innvendig diameter. Kontroller at slangen sitter fast og er ordentlig tett så det ikke oppstår vannlekkasje.

3. Plasser den andre enden av slangen i et passende avløp i gulvet som ligger lavere enn koblingen mellom avløpsledningen og luftavfukteren.

4. Husk å plassere slangen slik at vannet kan renne fritt. Unngå knekk på slangen, og kontroller at den ikke kommer i klem.

5. For å koble fra slangen må du først slå av luftavfukteren og trekke støpselet ut av stikkkontakten. Deretter kan slangen fjernes fra uttaket.



## Vedlikehold



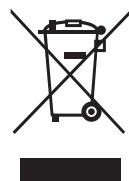
- Skru av luftavfukteren og trekk støpselet ut av kontakten før rengjøring og service.
- Ikke vask vannbeholderen i oppvaskmaskinen.
- Rengjør produktet utvendig med en lett fuktet klut. Bruk et mildt rengjøringsmiddel, aldri løsemidler eller etsende kjemikalier.
- Støvsug luftavfukterens luftinntak og utblåsing.
- Fjern vanntanken (se avsnittet Tømme vannbeholderen, ovenfor) hver fjortende dag og vask den for hånd med et mildt vaskemiddel. Skyll den med rent vann.
- Rengjør luftfilteret hver fjortende dag, se avsnittet *Luftfilter*.
- Hvis luftavfukteren ikke skal brukes på en stund:
  - Skru den av og trekk ut støpselet fra stikkkontakten.
  - Rengjør dekselet godt.
  - Vent et døgn med å fjerne vannbeholderen, slik at alt vann inni luftavfukteren får tid til å renne ned i den.
  - Fjern vannbeholderen, tørk den godt og sett den på plass igjen.
  - Fjern luftfilteret, støvsug det og sett det på plass igjen.
  - Oppbevar luftavfukteren stående på et tørt, godt ventilert sted.

## Feilsøkjingskjema

Luftavfukteren starter ikke.	<ul style="list-style-type: none"> <li>• Kontroller at støpselet er ordentlig koblet til kontakten, og påse at det er strøm i kontakten.</li> <li>• Vannbeholderen er full eller feilmontert.</li> <li>• Innstilt luftfuktighet er oppnådd.</li> </ul>
Luften avfuktes ikke.	<ul style="list-style-type: none"> <li>• Luftavfukteren har vært i bruk i for kort tid.</li> <li>• Forsikre deg om at det ikke er noe som hindrer luften i å sirkulere godt rundt luftavfukteren.</li> <li>• Innstillingen for luftfuktighet er ikke satt lavt nok.</li> <li>• Kontroller at ikke luft utenfra kan trenge inn i området der luftavfukteren brukes.</li> <li>• Romtemperaturen ligger under 15 °C.</li> <li>• Er det en varmekilde som øker luftfuktigheten i rommet?</li> </ul>
Produktet avgir ulyder.	<ul style="list-style-type: none"> <li>• Kontroller at luftfilteret er rent, støvsug det ved behov.</li> <li>• Luftavfukteren står skjevt eller på et ujevnt underlag.</li> </ul>
Feil- og varslingskoder som vises på displayet	<p><b>EH60:</b> Defekt luftfuktighetssensor. Trekk støpselet ut av kontakten og plugg det inn igjen. Hvis ikke dette løser problemet, ta kontakt med kvalifiserte fagfolk.</p> <p><b>EH61:</b> Defekt temperatursensor. Trekk støpselet ut av kontakten og plugg den inn igjen. Hvis ikke dette løser problemet, ta kontakt med kvalifiserte fagpersoner.</p> <p><b>P2:</b> Vannbeholderen er full eller feilmontert. Tøm beholderen eller monter den riktig.</p> <p><b>EH2, EH3, EH0b:</b> Andre defekter. Trekk støpselet ut av kontakten og plugg den inn igjen. Hvis ikke dette løser problemet, ta kontakt med kvalifiserte fagpersoner.</p>

## Avfallshåndtering

Symbolet betyr at produktet ikke skal kastes sammen med øvrig husholdningsavfall. Dette gjelder i hele EØS. For å forebygge eventuelle skader på helse og miljø som følge av feil håndtering av avfall, skal produktet leveres til gjenvinning, slik at materialet blir tatt hånd om på en tilfredsstillende måte. Når produktet skal kasseres, benytt eksisterende systemer for returhåndtering eller kontakt forhandler. De vil ta hånd om produktet på en miljømessig forsvarlig måte.



## Spesifikasjoner

<b>Strømtilkobling</b>	220–240 V AC, 50 Hz	<b>Lydnivå</b>	41/39/36 dB(A)
<b>Effekt</b>	360 W	<b>Driftstemperatur</b>	5–32 °C
<b>Avfukningskapasitet</b>	Inntil 10 liter/døgn	<b>Kjølevæske</b>	R290
<b>Anbefalt romstørrelse</b>	16–31 m <sup>2</sup>	<b>Mål</b>	44 × 33 × 22 cm
<b>Vannbeholderens kapasitet</b>	1,6 l	<b>Vekt</b>	11,6 kg

# Ilmankuivain

Tuotenro 36-8321 Malli MDDQ-10DEN7-QA3

Lue koko käyttöohje ja säästä se tulevaa käyttöä varten. Pidätämme oikeuden teknisten tietojen muutoksiin. Emme vastaa mahdollisista teksti- tai kuvavirheistä. Jos tuotteeseen tulee teknisiä ongelmia, ota yhteys myymälään tai asiakaspalveluun (yhteystiedot käyttöohjeen lopussa).

## Turvallisuus

- Liitä laite ainoastaan maadoitettuun pistorasiaan (230 V, 50 Hz), joka on varustettu vikavirtasuojakytkimellä.
- Yli 8-vuotiaat lapset, toimintarajoitteiset henkilöt ja henkilöt, joilla ei ole riittävästi laitteen turvalliseen käyttöön vaadittavia taitoja tai kokemusta, saavat käyttää laitetta, jos heitä on ohjeistettu sen turvallisesta käytöstä ja he ymmärtävät käyttöön liittyvät mahdolliset vaarat ja riskit.
- Tuotetta saavat käyttää aikuiset, joilla ei ole fyysisiä tai psyykkisiä rajoitteita. Henkilöt, joilla ei ole riittävästi kokemusta ja taitoja, eivät saa käyttää tuotetta ilman turvallisuudesta vastaavan henkilön antamia ohjeita.
- Vioittuneen virtajohdon saa vaihtaa ainoastaan valmistaja, sen määräämä huoltopiste tai valtuutettu ammattilainen. Näin vähennetään sähköiskujen ja tulipalojen riskiä.
- Älä anna lasten leikkiä laitteella.
- Laitteen on aina oltava pystyasennossa.
- Älä istu laitteen päällä äläkä aseta vieraita esineitä laitteen päälle.
- Ennen kuin käytät laitetta ensimmäisen kerran, pidä se pystyasennossa vähintään 1 tunnin ajan ennen käyttöä. Sama pätee, jos tuote on siirtynyt alkuperäisestä asennostaan esim. siirtämisen, puhdistuksen jne. yhteydessä.
- Älä käytä laitetta, jos sen virtajohto, pistoke tai jokin muu osa on vioittunut tai ei toimi normaalisti.
- Älä yritä muuttaa tai purkaa laitetta.

- Jos tuote on kytkettävä jatkojohdolla tai haaroituspistorasiaan, varmista, että ne soveltuvat laitteelle.
- Älä koske pistokkeeseen märillä käsillä.
- Älä laita laitteen aukkoihin mitään esineitä.
- Irrota virtajohto välittömästi pistorasiasta, jos laitteesta kuuluu vieraita ääniä, tai siitä tulee hajua tai savua.
- Irrota virtajohto välittömästi pistorasiasta, jos laite putoaa veteen tai sen päälle roiskuu vettä. Ota yhteys huoltoliikkeeseen, ennen kuin käytät laitetta uudelleen.
- Laitetta ei saa peittää. Varmista, että laitteen ilma-aukkoihin ei joudu vieraita esineitä. Vieraiden esineiden joutuminen ilma-aukkoihin saattaa johtaa sähköiskuun, tulipaloon tai tuotteen hajoamiseen.
- Irrota virtajohto pistorasiasta, kun laitetta ei käytetä.
- Älä käytä virtajohtoa laitteen käynnistämiseen tai sammuttamiseen. Laitetta ohjataan käynnistys-/sammutuspainikkeesta.
- Ennen laitteen siirtämistä: sammuta laite, irrota pistoke pistorasiasta ja tyhjennä vesisäiliö.
- Älä altista laitetta valuvalla tai roiskuvalla vedellä tai muille nesteille.
- Nesteen joutuminen laitteen sähköosiin voi aiheuttaa hengenvaaran.
- Sijoita tuote niin, että se ei pääse putoamaan veteen tai muuhun nesteeseen.
- Älä aseta laitteen päälle nesteitä sisältäviä esineitä, kuten maljakoita.



**Varoitus!** Käytettäessä kylmäainetta R290.



**TÄRKEÄ HUOMAUTUS:** Lue tämä käyttöohje huolellisesti ennen ilmankuivaimen asennusta tai käyttöä. Säilytä tämä käyttöohje tulevaa tarvetta varten.

- Käytä vain valmistajan suosittelemia aineita puhdistuksessa tai sulatusprosessin nopeuttamisessa.
- Älä koskaan käytä laitetta tiloissa, joissa käsitellään tai säilytetään palonarkoja nesteitä/aineita tai kaasuja (benssiini, liuottimet, polttoöljy yms.).
- Varmista, ettei laitteeseen tule reikiä tai palovaurioita.
- Huomaa, että kylmäaineet voivat olla hajuttomia.
- Tuotetta on käytettävä tiloissa, joiden pinta-ala ylittää 4 m<sup>2</sup>.

## **Turvallisuusohjeet huoltoa varten**

Kaikki korjaukset tulee tehdä valtuutetussa huoltoliikkeessä, ja korjauksessa tulee käyttää vain alkuperäisiä varaosia.

### **1. Alueen tarkastaminen**

Ennen kuin syttyviä kylmäaineita sisältäviä järjestelmiä käsitellään, on tehtävä turvallisuustarkastukset syttymisriskin minimoimiseksi. Jäähdytysjärjestelmää korjattaessa on ryhdyttävä seuraaviin varotoimenpiteisiin ennen järjestelmälle tehtävien huolto- tai korjaustöiden aloittamista.

### **2. Menetelmä**

Työ on suoritettava valvotuissa olosuhteissa, jotta minimoidaan syttyvän kaasun tai höyryn vuotovaara työn aikana.

### **3. Yleinen työskentelyalue**

Koko huoltohenkilöstölle ja muille lähellä työskenteleville on ilmoitettava, millaista työtä ollaan suorittamassa. Vältä työtä suljetuissa tiloissa. Työalueen ympärillä oleva alue on eristettävä. Varmista, ettei työalueella ole syttyviä materiaaleja.



#### **4. Kylmäaine-esiintymien tarkastus**

Alue on tarkastettava sopivalla kylmäaineilmaisimella ennen työskentelyn aloittamista ja sen aikana, jotta teknikot ovat tietoisia mahdollisista palovaaroista. Varmista, että vuodon havaitsemiseen käytetty laite soveltuu syttyville kylmäaineille, ts. on kipinöimätön, oikein sinetöity tai luonnostaan vaaraton.

#### **5. Palosammuttimen käyttö**

Jos jäähdytyslaitteisiin tai niihin liittyviin osiin tehdään tulitöitä, asianmukaisten sammutusvälineiden on oltava käsillä. Varmista, että täyttöalueella on sammutin (jauhe tai CO<sub>2</sub>).

#### **6. Ei syttymislähteitä**

Yksikään henkilö, joka suorittaa jäähdytysjärjestelmän parissa sellaista työtä, johon liittyy helposti syttyvää kylmäainetta sisältäneen tai sisältävän putkistojärjestelmän paljastaminen, ei saa käyttää syttymislähteitä siten, että ne aiheuttavat tulipalon tai räjähdyksen vaaran. Kaikki mahdolliset syttymislähteet, mukaan lukien tupakointi, on pidettävä turvallisen välimatkan päässä asennus-, korjaus-, irrotus- ja hävitysalueelta, jos on olemassa vaara syttyvien kylmäaineiden vapautumisesta ympäristöön. Ennen työn suorittamista on tutkittava laitteen ympärillä oleva alue, jotta minkäänlaista tulipalo- tai syttymisvaaraa ei ole. TUPAKOINTI KIELLETTY -kyltit on asetettava esille.

#### **7. Tuuletettu tila**

Varmista, että ympäristö on avoin tai riittävästi tuuletettu ennen järjestelmän avaamista tai mahdollisia tulitöitä. Tuuletusta tulee jatkaa koko työn ajan. Tuuletuksen tarkoituksena on siirtää kaikki mahdolliset kylmäainepäästöt mielellään ulkoilmaan.

## **8. Jäähdytyslaitteiden tarkastukset**

Vaihdettavien sähköosien on oltava kyseiseen käyttötarkoitukseen tarkoitettuja ja niiden on oltava annettujen määritysten mukaiset. Valmistajan kunnossapito- ja huolto-ohjeita tulee aina noudattaa. Jos olet epävarma, ota yhteys valmistajan tekniseen osastoon ja pyydä apua. Seuraavat tarkastukset on tehtävä laitteistoille, joissa käytetään syttyviä kylmäaineita:

- On tarkastettava, että kylmäaineen määrä on sopiva huomioiden huoneen koko, johon kylmäainetta sisältävät osat on asennettu.
- On tarkastettava, että ilmanvaihtojärjestelmä ja poistoliitännät toimivat tarkoitettulla tavalla eivätkä ne ole tukossa.
- On tarkastettava epäsuoraa kylmäainepiiriä käytettäessä onko toisiopiireissä kylmäainetta. On tarkastettava, että laitteiden merkinnät ja tarrat ovat näkyvissä ja luettavissa.
- Merkinnät ja tarrat, jotka eivät ole luettavissa, tulee korjata.
- Kylmäaineputket ja komponentit on asennettava niin, etteivät ne joudu kosketuksiin syövyttävien aineiden kanssa ellei osia ole valmistettu korroosiota kestävästä materiaaleista tai varustettu asianmukaisella korroosiosuojalla.

## **9. Sähkölaitteiden tarkastukset**

Sähköosien korjaamiseen ja huoltoon on sisällytettävä alkutarkastukset ja komponenttien tarkistusmenettelyt. Jos ilmenee vika, joka voi vaarantaa turvallisuuden, virtalähdettä ei saa kytkeä piiriin, ennen kuin se on korjattu tyydyttävästi. Jos vikaa ei voida korjata välittömästi, mutta toiminnan on jatkuttava, tulee käyttää sopivaa väliaikaista ratkaisua. Tämä on ilmoitettava laitteiston omistajalle, jotta kaikki osapuolet ovat asiasta tietoisia. Alustavien turvallisuustarkastusten täytyy sisältää:

- Että kondensaattorit ovat purkautuneet: tämä on tehtävä turvallisesti kipinöintivaaran välttämiseksi.
- Että jännitteisiä sähkökomponentteja tai paljaita johtoja ei ole järjestelmää ladatessa, kierrätettäessä tai tyhjennettäessä/ilmattaessa.
- Että se on koko ajan maadoitettu.

## **10. Sinetöityjen komponenttien korjaukset**

Sinetöityjen osien korjauksen aikana tulee kaikki virransyöttö katkaista laitteiston osista ennen sinetöityjen kansien ja vastaavien poistamista. Jos laitteen virransyöttö on välttämätöntä huollon aikana, on pysyvän vuotoilmaisimen oltava kytkettynä kaikkein kriittisimpään kohtaan varoittamassa mahdollisesta vaaratilanteesta.

Erityistä huomiota on kiinnitettävä seuraaviin kohtiin tehtäessä töitä sähkökomponenteille sen varmistamiseksi, ettei kotelo muutu niin, että se vaikuttaa suojaustasoon. Tähän tulee sisältyä kaapeleiden vauriot, liian monta liitäntää, liittimet, jotka eivät täytä alkuperäisiä vaatimuksia, tiivisteiden vauriot, kaapelien ruuviliitosten virheellinen asennus jne.

- Varmista, että laite on asennettu oikein.
- Varmista, etteivät tiivisteet tai niiden materiaali ole vanhentuneet niin, että ne eivät enää estä syttyvien kaasujen sisäänpääsyä. Varaosien tulee olla valmistajan erittelyjen mukaisia.

**Huom.!** Silikonin käyttö voi häiritä tietyntyyppisten vuodonetsintävälineiden toimintaa. Luonnostaan vaarattomia komponentteja ei tarvitse eristää ennen työskentelyä.

## **11. Luonnostaan vaarattomien komponenttien korjaaminen**

Älä käytä pysyviä induktiivisia tai kapasitiivisia kuormia piirissä varmistamatta, että ne eivät ylitä käytettävän laitteen sallittua jännitettä ja virranvoimakkuutta. Luonnostaan vaarattomat osat ovat ainoita, joille voidaan tehdä töitä, kun ne ovat jännitteisiä palovaarallisissa tiloissa. Testilaitteen on oltava oikein luokiteltu. Korvaa osat vain valmistajan ilmoittamilla osilla. Muut osat voivat aiheuttaa kylmäaineen vuotamisen ilmaan ja syttymisen.

## **12. Kaapelointi**

Tarkista, etteivät kaapelit ole alttiina kulumiselle, korroosiolle, liialliselle paineelle, tärinöille ja teräville reunoille tai muille haitallisille ympäristövaikutuksille. Tarkastuksissa tulisi ottaa huomioon myös vanhentuvien komponenttien tai kompressorien tai puhaltimien jatkuvan tärinän vaikutukset.

### **13. Tulenarkojen kylmäaineiden havaitseminen**

Potentiaalisia syttymislähteitä ei saa missään olosuhteissa käyttää kylmäainevuotojen etsimiseen tai havaitsemiseen. Halidivuotoilmaisinta (tai muuta avotuli-ilmaisinta) ei saa käyttää.

### **14. Vuodonetsintämenetelmät**

Seuraavia vuodonetsintämenetelmiä pidetään hyväksyttävänä järjestelmille, jotka sisältävät palovaarallisia kylmäaineita. Syttyvien kylmäaineiden havaitsemiseksi on käytettävä elektronisia vuodonilmaisimia, mutta niiden herkkyys ei ehkä riitä tai ne on mahdollisesti kalibroitava uudelleen. (Vuodonilmaisinlaitteet on kalibroitava kylmäaineettomassa tilassa). Varmista, ettei ilmaisimien ole potentiaalinen syttymislähde, ja että se sopii käytettävälle kylmäaineelle.

Vuodonetsintälaite on asetettava yhdelle prosentille kylmäaineen LFL:stä ja kalibroitava käytettävälle kylmäaineelle, jotta sopiva prosenttiosuus voidaan vahvistaa (maks. 25 %).

Vuodonetsintänesteen soveltuvat useimmille kylmäaineille, mutta natriumhypokloriittia sisältävän puhdistusaineen käyttöä on vältettävä, koska natriumhypokloriitti voi reagoida kylmäaineen ja syöpyneiden kupariputkien kanssa.

Jos epäillään vuotoa, kaikki avotulet tulee poistaa tai sammuttaa. Jos tunnistetaan kylmäainevuoto, joka vaatii juottamista, kaikki kylmäaine on tyhjennettävä järjestelmästä tai eristettävä (sulkuventtiileillä) järjestelmän osaan, joka on turvallisella etäisyydellä vuodosta. Happivapaata tyyppiä (OFN) on sen jälkeen puhallettava järjestelmän läpi sekä ennen juottamista että juottamisen aikana.

## **15. Irrotus ja ilmanpoisto**

Kun kylmäainepiiri avataan korjausten suorittamiseksi (tai muista syistä), noudatetaan tavanomaisia menettelytapoja. On kuitenkin tärkeää noudattaa hyväksytyjä käytäntöjä, koska palovaara on olemassa. Noudata seuraavia rutiineja:

- Poista kylmäaine.
- Puhdista piiri inertillä kaasulla.
- Poista ilma.
- Puhdista uudestaan inertillä kaasulla.
- Avaa piiri leikkaamalla tai juottamalla.

Kylmäaine tulee kierrättää oikein. Järjestelmä on huuhdeltava OFN:llä, jotta yksiköstä tehdään turvallinen. Toiminto voidaan joutua tekemään useita kertoja. Paineilmaa tai happea ei saa käyttää tähän tarkoitukseen. Huuhtelu tapahtuu rikkomalla järjestelmän tyhjiö OFN:llä ja jatkamalla täyttöä, kunnes saavutetaan työskentelypaine, jonka jälkeen ilmataan ilmakehään ja lopuksi siirrytään tyhjiöön.

Tätä toimintoa on toistettava, kunnes jäähdytysainetta ei enää ole järjestelmässä.

Kun lopullinen OFN-määrä on käytetty, järjestelmä on ilmattava ilmakehän paineeseen, jotta työ voidaan suorittaa. Tämä toimenpide on ehdottoman tärkeä, jotta putkijohtoja voidaan juottaa. Varmista, että alipainepumpun poistoaukko ei ole lähellä syttymislähdettä ja että ilmanvaihto on olemassa.

## **16. Täyttömenetelmät**

Perinteisten täyttömenetelmien lisäksi seuraavien vaatimusten on täytyttävä:

- Varmista, että eri jäähdytysaineista ei ole jäämiä täyttölaitteistoa käytettäessä. Letkujen ja johtojen on oltava mahdollisimman lyhyitä, jotta kylmäaineen määrä niissä jää mahdollisimman vähäiseksi.
- Säiliön on oltava pystyssä.

- Varmista, että jäähdytysjärjestelmä on maadoitettu, ennen kuin kylmäainetta täytetään järjestelmään.
- Merkitse järjestelmä, kun täyttö on valmis (jos sitä ei ole jo tehty).
- Ole erittäin varovainen, ettei jäähdytysjärjestelmää ylitäytetä.
- Ennen kuin järjestelmä täytetään uudelleen, se on painettestattava OFN:llä. Järjestelmän vuodot on tarkastettava täyttämisen jälkeen, ennen kuin se otetaan käyttöön. Seurantavuototesti on tehtävä ennen paikalta poistumista.

### **17. Käytöstä poistaminen**

Ennen tämän toimenpiteen suorittamista on erittäin tärkeää, että teknikko tuntee laitteen viimeistä yksityiskohtaa myöten. Hyväksytyjen käytänteiden mukaisesti kaikki kylmäaineet on kierrätettävä turvallisesti.

Jos analyysi on tarpeen ennen talteenotetun kylmäaineen uudelleenkäyttöä, on öljystä ja kylmäaineesta otettava näyte. On erittäin tärkeää, että sähkövirta on olemassa ennen tehtävän aloittamista.

- Tutustu laitteistoon ja sen toimintoihin.
- Eristä järjestelmä sähköisesti.
- Varmista seuraavat seikat ennen toimenpidettä:
  - Kylmäainesäiliöiden käsittelyyn on saatavilla mekaanisia käsittelylaitteita (tarvittaessa).
  - Kaikkia henkilökohtaisia suojaimeja on käytettävä ja niitä on käytettävä oikein.
  - Pätevän henkilön on valvottava koko ajan kierrätysprosessia.
  - Kierrätyslaitteiden ja -säiliöiden on oltava sovellettavien standardien mukaisia.
- Pumppaa jäähdytysjärjestelmä tyhjäksi, jos mahdollista.
- Jos tyhjiötä ei voida saavuttaa, käytä haaraputkea niin, että jäähdytysaine voidaan poistaa järjestelmän eri osista.
- Varmista ennen kierrätystä, että säiliö seisoo tukevasti.

- g) Käynnistä kierrätyskone ja toimi valmistajan ohjeiden mukaisesti.
- h) Älä täytä säiliötä yli (enintään 80 % nestemäärä).
- i) Älä ylitä sylinterin maksimipainetta edes tilapäisesti.
- j) Kun säiliöt on täytetty oikein ja prosessi on valmis, varmista, että säiliöt ja laitteet poistetaan paikalta välittömästi ja että laitteiston kaikki sulkuventtiilit on suljettu.
- k) Kierrätettyä kylmäainetta ei saa ladata toiseen jäähdytysjärjestelmään ennen puhdistamista ja tarkastamista.

### **18. Merkintä**

Laitteisto on merkittävä niin, että niistä näkyy, että ne on poistettu käytöstä ja tyhjennetty kylmäaineesta. Tarra on päivitettävä ja allekirjoitettava. Varmista, että laitteistossa on tarroja, jotka osoittavat, että laitteistossa on palovaarallista kylmäainetta.

### **19. Kierrätys**

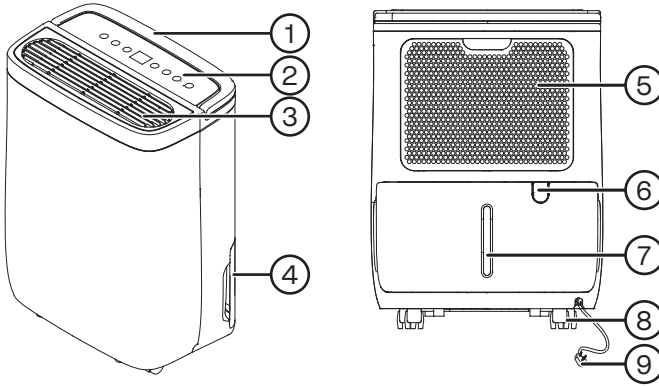
Kun kylmäaine poistetaan järjestelmästä joko huoltoa tai romutusta varten, hyväksyty käytäntö on poistaa kaikki kylmäaineet turvallisesti.

- Kun siirret kylmäainetta säiliöön, varmista, että käytät vain kylmäaineelle sopivia kierrätysastioita. Varmista, että käytettävissä on oikea määrä säiliöitä koko järjestelmän lataukselle. Kaikki käytettävät säiliöt on tarkoitettu talteenotetulle kylmäaineelle ja merkitty tätä kylmäainetta varten (ts. erikoissäiliö aineen kierrätystä varten.) Säiliössä on oltava ylipaineventtiilit ja niihin liittyvät sulkuventtiilit täysin toimivassa kunnossa.
- Tyhjät kierrätysastiat tyhjennetään, tuuletetaan ja jäähdytetään, mikäli mahdollista, ennen kierrätystä.
- Kierrätyslaitteiston on oltava hyvässä kunnossa käytettävän laitteiston ohjeiden mukaisesti ja niiden on sovellettava syttyvien kylmäaineiden talteenottoon. Lisäksi käytössä on oltava kalibroituja vaakoja ja niiden on oltava täysin toimivassa kunnossa.

- Letkuliittimien on oltava vuodottomia ja letkujen täysin kunnossa. Tarkista ennen kierrätyskoneen käyttöä, että se on tyydyttävässä toimintakunnossa, huollettu oikein ja kaikki siihen liittyvät sähkökomponentit on tiivistetty syttymisen estämiseksi mahdollisten kylmäainepäästöjen yhteydessä. Jos olet epävarma, ota yhteyttä valmistajaan.
- Kerätty kylmäaine on palautettava kylmäainetoimittajille asianmukaisessa kierrätysastiassa, johon on liitetty asiaankuuluva siirtoasiakirja. Älä sekoita kylmäaineita kierrätysyksiköissä ja etenkin säiliöissä.
- Jos kompressorit tai kompressorijölyt on poistettava, varmista, että ne on tyhjennetty hyväksyttävälle tasolle sen varmistamiseksi, että voiteluaineessa ei ole syttyviä kylmäaineita. Ilmanpoisto on tehtävä ennen kompressorin luovuttamista takaisin toimittajille. Tämän prosessin nopeuttamiseksi voidaan kompressorikoteloon käyttää vain sähkölämpöä. Kun öljy tyhjennetään järjestelmästä, se on tehtävä turvallisesti.

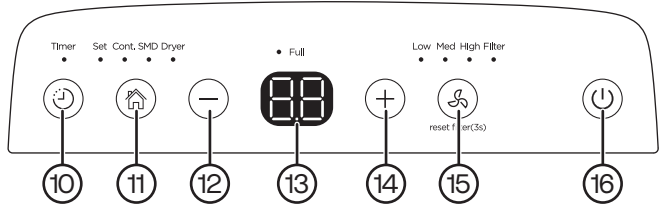


## Tuotekuvaus



- |                        |  |
|------------------------|--|
| 1. Kahva               | 5. Ritilä ilma-aukon ja verkkosuodattimen päällä |
| 2. Ohjauspaneeli       | 6. Vesiletkun liitäntä jatkuvassa kuivauksessa   |
| 3. Ilman ulostuloaukko | 7. Vesimäärän tarkastusikkuna                    |
| 4. Vesisäiliö          | 8. Pyörä   |
|                        | 9. Virtajohto                                    |

## Ohjauspaneeli



- |   |   |
|---|---|
| 10. Timer, käynnistysajan ja pysäytysajan<br>asettaminen  | 12. Ilmankosteustason ja<br>ajastuksen asetus.  |
| 11. Toiminnon valinta. Valitse jokin seuraavista:<br>- <b>Set:</b> Normaali ilmankuivaus, jota ohjaa<br>asetettu ilmankosteus.<br>- <b>Cont:</b> Jatkuva ilmankuivaus,<br>ilmankosteustasoa ei voi asettaa<br>- <b>SMD:</b> Älykäs ilmankuivaustoiminto.<br>Ilmankosteus mukautuu automaattisesti<br>huoneen lämpötilan mukaan välillä 45–55 %.<br>Esimerkki: Jos huoneen lämpötila<br>laskee, nousee ilmankosteuden taso<br>automaattisesti sopivalle tasolle.<br>- <b>Dryer:</b> Kuivaustila. Kuivaustila, jossa<br>puhallin käy täydellä teholla (ei voi hiljentää).<br>Haluttua ilmankosteustasoa ei voi asettaa. | 13. Näyttö  |
|   | 14. Ilmankosteustason ja<br>ajastuksen asetus.  |
|   | 15. Puhaltimen nopeudensäätö:<br>- <b>Low:</b> matala<br>- <b>Med:</b> keskikorkea<br>- <b>High:</b> korkea<br>- <b>Suodatin:</b> <b>1</b> Merkkivalo<br>suodattimelle, jota ei ole tässä<br>mallissa. Jos merkkivalo syttyy,<br>paina painiketta (15) 3 sekuntia<br>nollataksesi ilmaisimen. |
|   | 16. Päälle / pois päältä  |

# Käyttö

## Sijoituspaikka

- Laite on tarkoitettu normaaliin käyttöön kotona käyttöohjeen ohjeiden mukaisesti.
- Älä käytä ilmankuivainta tiloissa, joissa lämpötila laskee alle 5 °C:n.
- Varmista, että ilmankuivain on vakaasti tasaisella alustalla, joka kestää ilmankuivaimen painon myös vesisäiliön ollessa täynnä.
- Varmista, että virtajohto on esteettömässä paikassa, jossa ei ole teräviä reunoja ja jossa se ei joudu puristuksiin.
- Ole erityisen varovainen, kun ilmankuivainta käytetään tiloissa, joissa on vauvoja, pieniä lapsia tai vanhempia ihmisiä.
- Ilmankuivain tulee sijoittaa avoimeen tilaan, jotta se voi kuivattaa koko talon ilmaa.
- Pidä kaikki sisäovet auki. Sulje ulko-ovet ja ikkunat.
- Ilmankuivain kannattaa sijoittaa aluksi siihen osaan taloa, jossa esiintyy eniten kosteutta. Ilmankuivain voidaan myöhemmin siirtää toiseen paikkaan.
- Sijoita ilmankuivain paikkaan, jossa ilma pääsee kiertämään esteettä. Ilmankuivaimen ympärillä tulee olla vähintään 20 cm vapaata tilaa.
- Älä sijoita ilmankuivainta lämpöpattereiden tai muiden lämmönlähteiden läheisyyteen.



- Ilmankuivainta ei voi käynnistää, jos vesisäiliötä ei ole asennettu kunnolla.
- Tyhjennä vesisäiliö ennen ilmankuivaajan siirtämistä.
- Ilmankuivain toimii parhaiten normaalissa huonelämpötilassa. Kuivausteho vähenee, jos huoneen lämpötila laskee alle 15 °C:n.
- Anna ilmankuivaimen olla päällä 24 tunnin ajan ensimmäisellä käyttökerralla.
- Jos ilmankuivain sammutetaan ja sen jälkeen välittömästi käynnistetään uudelleen, kestää noin 3 minuuttia ennen kuin se saavuttaa täyden tehonsa. Kun sammutat ilmankuivaimen, kannattaa odottaa 3 minuuttia ennen sen käynnistämistä uudelleen.
- Älä käytä ilmankuivaajaa, jos ritilää ja verkkosuodatinta ei ole asennettu.
- Jos ilmankuivaaja sammuu esim. sähkökatkon aikana, se käynnistyy automaattisesti sähkökatkon päättyttyä.

## Ilmankuivaimen laittaminen päälle/pois päältä

1. Lue kaikki osioiden *Turvallisuus* ja *Sijoittaminen* ohjeet.
2. Liitä virtajohto pistorasiaan, joka täyttää osion Turvallisuus kohdassa 1 annetut vaatimukset.
3. Käynnistä ilmankuivain painamalla [⏻].
4. Valitse toiminto **Set**, **Cont**, **SMD** tai **Dryer** luvun *Ohjauspaneeli* mukaan.
5. Sammuta ilmankuivain painamalla uudelleen [⏻]. Puhallin jatkaa puhaltamista hetken ajan, jotta ilmankuivaimen sisäosat kuivuvat.

## Halutun ilmankosteuden valinta, kun toiminto Set on valittuna



- Kun ilmankuivain on päällä näkyy näytössä huoneen ilmankosteus.
  - Jos huoneen ilmankosteus on esimerkiksi 40 % ja laite on asetettu saavuttamaan 60 %:n ilmankosteus, kompressori ei käynnisty.
1. Valitse haluamasi ilmankosteus painamalla [-] tai [+]. Suhteellinen kosteus (RH) on mahdollista säätää 5 %:n säätöväleihin välillä 35–85 %.
  2. Kun haluttu ilmankosteus on saavutettu, ilmankuivain sammuu automaattisesti.

## Ajastintoiminto



### Päättymisaajan asettaminen

1. Varmista, että ilmankuivain on **päällä**.
2. Paina ajastuspainiketta (10).
3. Aseta haluttu päättymisaika painamalla lyhyesti tai pitkään painikkeita [-] tai [+]. Aikaa voidaan säätää portaittain 30 minuutin aikavälein enintään 10 tunniksi. Tämän jälkeen aikaa säädetään portaittain 60 minuutin aikavälein. Näytölle ilmestyy asetettu aika 5 sekunnin ajaksi, minkä jälkeen näytöllä näkyy edellinen toiminto.

### Alkamisaajan asettaminen

1. Varmista, että ilmankuivain on **sammutettu**.
2. Paina ajastuspainiketta (10).
3. Aseta haluttu alkamisaika painamalla lyhyesti tai pitkään painikkeita [-] tai [+]. Aikaa voidaan säätää portaittain 30 minuutin välein enintään 10 tunniksi. Sen jälkeen portaittain 60 minuutin välein enintään 24 tunniksi. Näytölle ilmestyy asetettu aika 5 sekunnin ajaksi, minkä jälkeen näytöllä näkyy edellinen toiminto.



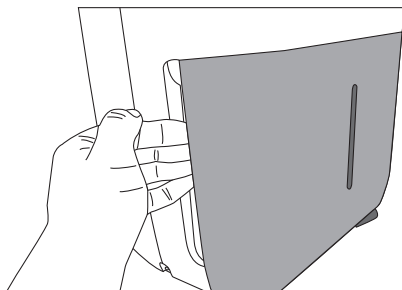
- Voit tarkistaa asetukset koska tahansa painamalla ajastinpainiketta (10).
- Voit muuttaa koska tahansa ajastimen asetuksia painikkeilla ajastinpainike (10) ja painamalla lyhyesti tai pitkään [-] tai [+].
- Jos ilmankuivain sammutetaan ajastuksen jälkeen, ajastimen asetukset nollautuvat
- Jos vesisäiliö täyttyy ajastetun käyntiajan aikana (näytöllä näkyy teksti "P2"), ajastimen asetukset nollautuvat.

## Automaattinen sammutus

- Kun vesisäiliö täyttyy käytön aikana, ilmankuivaimen kompressori sammuu automaattisesti.
- Puhallin jatkaa puhaltamista hetken ajan, jotta ilmankuivaimen sisäosat kuivuvat.
- Ilmankuivain antaa äänimerkin, LED-merkkivalo "Full" vilkkuu ja näytöllä näkyy teksti "P2".

## Vesisäiliön tyhjennys

1. Irrota virtajohto pistorasiasta.
2. Ota kiinni vesisäiliön kahvoista (yksi kummallakin puolella) ja vedä säiliötä suoraan ulospäin.
3. Tyhjennä vesi säiliöstä ja aseta säiliö takaisin paikalleen. Jos ilmankuivain on sammunut automaattisesti, se käynnistyy automaattisesti vesisäiliön asettamisen jälkeen.

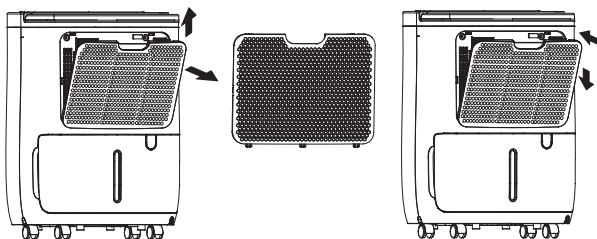


## Automaattinen sulatustoiminto

- Ilmankuivaimessa on automaattinen sulatustoiminto. Tietyissä olosuhteissa ilmankuivaimen sisällä oleviin komponentteihin saattaa muodostua jäätä. Sulatustoiminto estää jään muodostumisen.
- Ilmankuivaimen kompressori sammuu sulatustoiminnon aktivoituessa ja puhallin puhalttaa, kunnes jää on sulatettu.
- Sulatuksen aikana ilmankuivaimesta saattaa kuulua lorisevaa ääntä. Tämä on normaalia.
- Toimintoon ei voi eikä tarvitse tehdä asetuksia.

## Verkkosuodatin

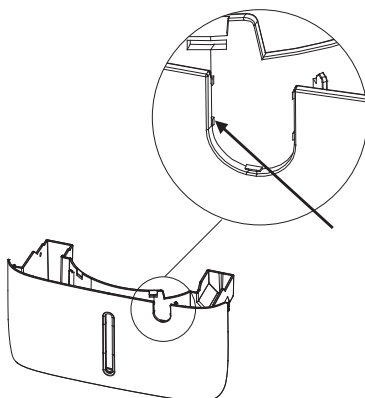
Irrota ritilä ja verkkosuodatin (5), ja imuroi se varovasti kahden viikon välein.



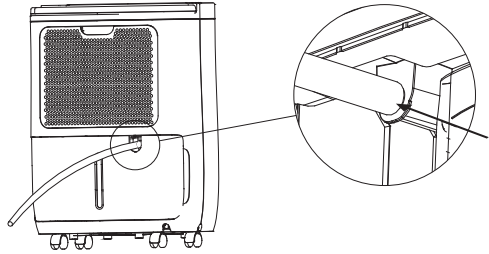
## Käyttö tyhjennysletkun kanssa, Cont-toiminto (jatkuva kuivaus)

Jos ilmankuivaajaa käytetään erittäin kosteassa tilassa, vesisäiliö pitää tyhjentää usein. Tällöin voi olla kätevinä käyttää tyhjennysletkua.

1. Paina/irrota varovasti muoviosa letkun liitännästä (6). Käytä sopivaa työkalua ja raaputa reunoista pois mahdoll. muovin jäämät.



- Liitä sopiva poistoletku (myydään erikseen), jonka sisähalkaisija on 13,5 mm. Varmista että letku on tiiviisti kiinni.
- Laita letkun toinen pää sopivaan lattiakaivoon, joka on alempana kuin ilmankuivaajan poistoletkuliitäntä.
- Sijoita letku niin, että vesi pääsee valumaan esteettömästi. Varmista, että letku ei taitu tai joudu puristuksiin.
- Jos haluat poistaa letkun, sammuta ilmankuivaaja, irrota virtajohto pistorasiasta ja irrota poistoletku liitännästä.



## Huolto ja kunnossapito



- Sammuta ilmankuivaaja ja irrota pistoke pistorasiasta ennen huoltoa ja puhdistusta.
- Älä pese vesisäiliötä astianpesukoneessa.
- Pyyhi ilmankuivaajan ulkopinta kevyesti kostutetulla liinalla. Käytä mietoa puhdistusainetta. Älä käytä liuottimia tai syövyttäviä kemikaaleja.
- Imuroi ilmankuivaimen kotelo ilmanotto- ja ilmanpoistoaukkojen yläpuolelta.
- Irrota vesisäiliö (katso edellä kohta Vesisäiliön tyhjentäminen) kahden viikon välein ja pese se käsin miedolla astianpesuaineella. Huuhtelee puhtaalla vedellä.
- Puhdista ilmansuodatin kahden viikon välein. Katso kohta *Verkkosuodatin*.
- Tee näin, jos ilmankuivain on pitkään käyttämättä:
  - Sammuta laite ja irrota virtajohto pistorasiasta.
  - Puhdista kotelo huolellisesti.
  - Irrota vesisäiliö vasta vuorokauden kuluttua, jotta kaikki vesi ehtii valua ilmankuivaimesta säiliöön.
  - Irrota vesisäiliö, kuivaa se huolellisesti ja aseta takaisin paikoilleen.
  - Irrota verkkosuodatin, imuroi se ja asenna takaisin paikoilleen.
  - Säilytä ilmankuivainta pystyasennossa kuivassa ja hyvin ilmastoidussa tilassa.

## Vianhakutaulukko

Ilmankuivain ei käynnisty.	<ul style="list-style-type: none"> <li>• Varmista, että virtajohto on liitetty kunnolla pistorasiaan ja että pistorasiassa on virtaa.</li> <li>• Vesisäiliö on täynnä tai se on asennettu väärin.</li> <li>• Asetettu ilmankosteus on saavutettu.</li> </ul>
Ilmankuivain ei kuivata ilmaa.	<ul style="list-style-type: none"> <li>• Ilmankuivain on ollut päällä liian vähän aikaa.</li> <li>• Varmista, että ilma pääsee liikkumaan esteettä tilassa, jossa ilmankuivainta käytetään.</li> <li>• Haluttua ilmankosteutta ei ole säädetty riittävän alhaiseksi.</li> <li>• Varmista, että kuivattavaan tilaan ei pääse ulkoilmaa.</li> <li>• Kuivattavan tilan lämpötila on alle 15 °C.</li> <li>• Onko kuivattavassa tilassa lämmönlähde, joka lisää ilmankosteutta?</li> </ul>
Laitteesta kuuluu epätavallisia ääniä käytön aikana.	<ul style="list-style-type: none"> <li>• Varmista, että verkkosuodatin on puhdas. Imuroi tarvittaessa.</li> <li>• Ilmankuivain on kallellaan tai alusta on epätasainen.</li> </ul>
Vika- tai suojakoodit (näkyvät ilmankuivaimen näytöllä).	<p><b>EH60:</b> Ilmankosteuden ilmaiseva anturi on viallinen. Irrota virtajohto pistorasiasta ja laita se uudelleen pistorasiaan. Jos ongelma jatkuu, ota yhteyttä valtuutettuun huoltoliikkeeseen.</p> <p><b>EH61:</b> Lämpötila-anturi on viallinen. Irrota virtajohto pistorasiasta ja laita se uudelleen pistorasiaan. Jos ongelma jatkuu, ota yhteyttä valtuutettuun huoltoliikkeeseen.</p> <p><b>P2:</b> Vesisäiliö on täynnä tai se on asennettu väärin. Tyhjennä vesisäiliö tai aseta se oikein paikoilleen.</p> <p><b>EH2, EH3, EH0b:</b> Muut viat. Irrota virtajohto pistorasiasta ja laita se uudelleen pistorasiaan. Jos ongelma jatkuu, ota yhteyttä valtuutettuun huoltoliikkeeseen.</p>

## Kierrättäminen

Tämä kuvake tarkoittaa, että tuotetta ei saa hävittää kotitalousjätteen seassa. Tämä koskee koko EU-aluetta. Virheellisestä hävittämisestä johtuvien mahdollisten ympäristö- ja terveyshaittojen ehkäisemiseksi tuote tulee viedä kierrätettäväksi, jotta materiaali voidaan käsitellä vastuullisella tavalla. Kierrätä tuote käyttämällä paikallisia kierrätysjärjestelmiä tai ota yhteys ostopaikkaan. Ostopaikassa tuote kierrätetään vastuullisella tavalla.



## Tekniset tiedot

<b>Verkkovirtaliitäntä</b>	220–240 V AC, 50 Hz	<b>Äänitaso</b>	41/39/36 dB(A)
<b>Teho</b>	360 W	<b>Käyttölämpötila</b>	5...32 °C
<b>Kuivauskapasiteetti</b>	Jopa 10 litraa vuorokaudessa	<b>Kylmäaine</b>	R290
<b>Suositteltu huoneala</b>	16–31 m <sup>2</sup>	<b>Mitat</b>	44 × 33 × 22 cm
<b>Vesisäiliön koko</b>	1,6 l	<b>Paino</b>	11,6 kg





## Sverige

---

Kundtjänst tel: 0247/445 00  
e-post: kundservice@clasohlson.se  
Internet www.clasohlson.se  
Post Clas Ohlson AB, 793 85 INSJÖN

## Norge

---

Kundesenter tlf.: 23 21 40 00  
e-post: kundesenter@clasohlson.no  
Internett www.clasohlson.no  
Post Clas Ohlson AS, Postboks 485 Sentrum, 0105 OSLO

## Suomi

---

Asiakaspalvelu puh.: 020 111 2222  
sähköposti: asiakaspalvelu@clasohlson.fi  
Internet www.clasohlson.fi  
Osoite Clas Ohlson Oy, Kaivokatu 10 B, 00100 HELSINKI

## United Kingdom

---

Internet www.clasohlson.co.uk