

# COYTECH®

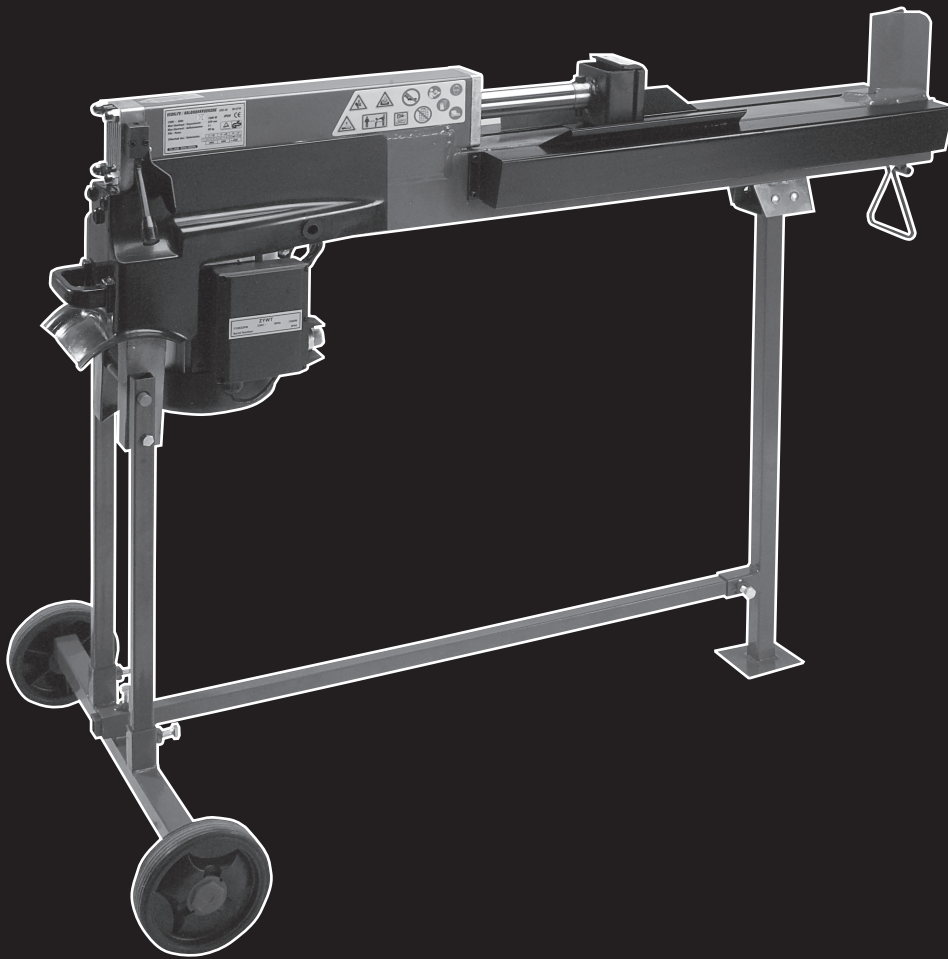
## Hydraulic Log Splitter

Vedklyv

Hydraulisk vedkløyver

Hydraulihalkoja

Holzspalter



### Important!

Read the entire instruction manual carefully and make sure that you fully understand it before you use the equipment. Keep the manual for future reference.

### Viktig information:

Läs hela bruksanvisningen noggrant och försäkra dig om att du har förstått den innan du använder utrustningen. Spara manualen för framtida bruk.

### Viktig informasjon:

Les disse anvisningene nøye og forsikre deg om at du forstår dem før du tar produktet i bruk. Ta vare på anvisningene for seinere bruk.

### Tärkeää tietoa:

Lue nämä ohjeet huolellisesti ja varmista että olet ymmärtänyt ne, ennen kuin alat käyttää laitetta. Säilytä ohjeet myöhempää tarvetta varten.

### Wichtiger Hinweis:

Vor Inbetriebnahme die komplette Bedienungsanleitung durchlesen und aufbewahren.

ENGLISH

SVENSKA

NORSK

SUOMI

DEUTSCH

ART.NO  
18-3018  
30-8710

MODEL  
LS5T-52-UK  
LS5T-52

Ver. 20131104  
Original instructions  
Bruksanvisning i original  
Original bruksanvisning  
Alkuperäinen käyttöohje  
Original Bedienungsanleitung



# Hydraulic Log Splitter

ART.NO 18-3018    MODEL LS5T-52-UK  
30-8710            LS5T-52

Please read the entire instruction manual before using and save it for future use. We apologise for any text or photo errors and any changes of technical data. If you have any questions concerning technical problems please contact our Customer Service Department (see address on reverse.)

## Warning!

When using electrical hand tools you must always follow general safety rules to avoid danger of fire, electrical shock and personal injury.

**Always disconnect the plug from the socket before servicing and adjusting the product.**

## General safety rules

- 1. Keep the working space clean.**  
Cluttered areas and work tables can cause accidents.
- 2. Do not use the machine in a dangerous environment.**  
Electrical machinery should not be used on damp or wet surfaces or in the rain. Ensure that the lighting in the working space is satisfactory. Ensure that the ventilation is good when the work creates a lot of dust. Never use electrical machinery/tools where they can cause a fire or explosion.
- 3. Avoid electrical shocks.**  
Avoid physical contact with earthed objects such as water pipes, radiators, the kitchen stove etc. when using electrical machinery/tools.
- 4. Keep away from children and unauthorized personnel.**  
All children and unauthorized personnel should keep at a safe distance from electrical machinery/tools and electrical cables in the working space.
- 5. Store the machinery in a childproof manner.**  
Keep electrical machinery/tools locked up or out of reach of children when not being used.
- 6. Do not force the machine.**  
It carries out the job more efficiently and safely at the intended feed speed.
- 7. Use the correct tools.**  
Do not force the tools or other equipment to carry out work for which it is not designed.
- 8. Wear appropriate clothing.**  
No baggy clothes, gloves, necklaces, rings, bracelets or other jewellery which can get caught in rotating parts. Non-slip shoes are recommended. Wear a hairnet (or similar) if you have long hair.
- 9. Always wear safety goggles.**  
Always wear safety goggles, normal glasses are not sufficient. Use a protective mask if the work creates a lot of dust.
- 10. Use a dust extractor.**  
Use dust extractor to extract and collect dust and chippings if supplied. Ensure that the equipment is used correctly and is emptied when necessary.
- 11. Do not manhandle the power cable.**  
Never carry the machine by its power cable. Do not tug at the cable. Pull out the plug to disconnect the electricity. Ensure that the power cable does not come into contact with heat, oil or sharp edges.
- 12. Ensure that the work-piece is securely fastened.**  
Use clamps or a vice where possible as this enables you to use the tool with both hands. This is safer than holding the work-piece with one hand.
- 13. Do not overreach!**  
Ensure that you stand safely and with good balance at all times.

**14. Keep the tools in working order!**

Ensure that they are clean and that the cutting edges are sharp for an optimal and safe result. Follow the recommendations in the manual regarding lubrication and change of fittings. Check the power cable regularly. If it is damaged it should be changed by a qualified service technician. Check all extension cables regularly to ensure that they are not damaged. Ensure that the handles and controls of the machinery/tools are dry, clean and completely free from oil, grease etc.

**15. Switch the power off!**

Pull out the plug and press the emergency stop button before servicing and when changing fittings such as planer tools, drill bits, knives, abrasive belts or blades.

**16. Remove all keys and service tools!**

Make a habit of checking that all keys and service tools are removed from the machinery before switching on the power.

**17. Avoid starting unintentionally!**

Do not carry a tool with your finger on the switch if the cable is plugged into a socket. Ensure that the switch is in the off position when connecting the plug.

**18. Use the correct extension cables.**

When using extension cables outdoors, only use those which are intended for outdoor use. Use extension cables with a sufficient conductivity. Uncoil the entire cable!

**19. Use common sense and be careful!**

Think twice before carrying out a working operation so that you can carry it out in a safe manner! Do not use the machinery/tool when you are tired, under the influence of medication etc.

**20. Ensure that all parts are intact!**

Before starting the machinery check: that all safety guards and other parts are intact and serve their purpose, that all moving parts can rotate freely and are correctly aligned, that no moving parts can get caught, that no defects have arisen and that no other circumstances can affect the work. A safety guard or other part that has been damaged must be repaired by an expert or changed. Damaged power cables and switches must always be changed by an expert. Never use the tool if you cannot switch it off or start it in a safe manner.

**21. Use recommended fittings!**

Using fittings that have not been recommended may cause accidents and personal injury.

**22. Must be repaired by a qualified technician.**

The machinery conforms to current safety requirements. Repairs on the machinery must always be carried out by an expert using genuine replacement parts. Otherwise the tool may cause accidents or personal injury.

**23. Electrical tools should be connected to the mains via an earth fault breaker for personal safety!**

The product must not be altered or used for working operations for which it is not designed! Check regularly that all screws and nuts are properly tightened.

## 2. Special safety regulations for the log splitter

- Retain the manual and ensure that it goes with the machine when lent out etc.
- Read the warning labels on the machine and make sure they are legible.
- Ensure that the socket has the correct voltage before connecting the log splitter (230 V).
- Never try to change the pressure settings. It is set at the factory to exert a maximum pressure of 5 tonnes. Incorrect setting may lead to serious personal injury, impaired function or machine damage.
- Use safety goggles, ear protectors and safety boots when necessary.
- Always stand so that you can carry out all working operations with good balance and hold the switch and pressure lever with both hands.
- Keep hands and fingers at a safe distance from the pressure plate and splitting wedge. As always when working with machines, use common sense and be careful.
- Ensure that people and animals are not around the machine as sharp wood chips may shoot out with great force.
- Always disconnect the plug from the socket before servicing and when not in use and make sure that children cannot start the log splitter.
- Just to be sure, connect the log splitter to a socket via an earth fault breaker.

- Never use the log splitter in the rain or in extreme humidity.
- Never use the log splitter ( if the power cable or other parts are damaged. Defective part must be replaced by an expert.
- Keep the working space clean and make sure that the electric motor cooling is not hindered by rubbish covering the cooling flange or the cooling air intake.
- **Note!** Unscrew the air screw (15) 3–4 revolutions so that a noticeable air current can be felt during use. Otherwise the seals in the hydraulic system may be damaged and make the log splitter unfit for use.
- Before use, ensure that the push rod nuts are fastened as the log splitter might be damage otherwise.

## 2.1 Product markings and safety symbols on the machine



**Warning!** Risk of injury from moving parts. Beware. Keep hands away from moving parts during the entire splitting process.



**Warning!** Risk of injury from moving parts when removing a jammed log. Do not remove it with your hands - use a tool.



**Warning!** Risk of injury from moving parts. Always be aware of how the pressure plate moves.



It is forbidden for anyone but the machine operator to be within the working area of the machine. Keep children, pets and unauthorized personnel out of the working area of the machine.



Switch off the machine and disconnect the plug from the socket when not using the machine, before cleaning and service.



Consider the environment, take care of waste oil according to local environment rules.



Ensure that the machine is not damaged before use. Check once again that the power cable is undamaged, if there are any loose screws/nuts and that the operating levers work well.



Read the manual.  
Read the entire manual and try to understand the machine's work cycle.



Use safety goggles! Protect your eyes against shooting wood chips. Use safety goggles or a visor.



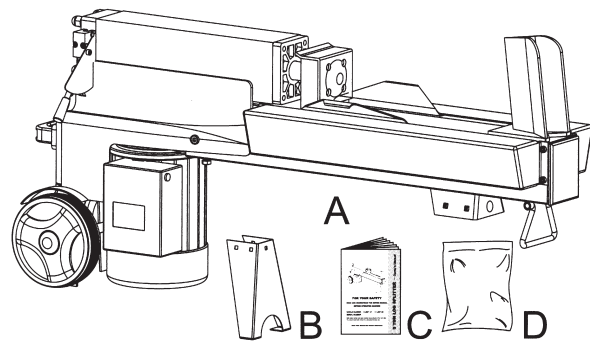
Use gloves.



Use safety boots.  
Use safety boots with steel toe caps which protect against falling objects.

# The package contains

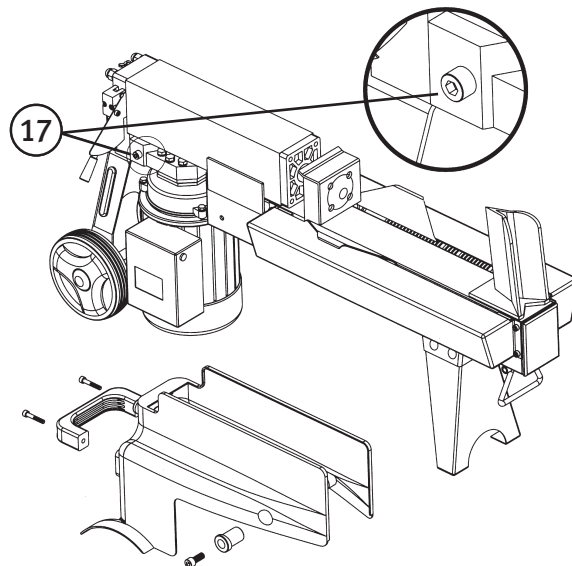
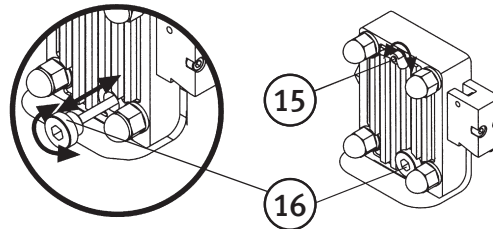
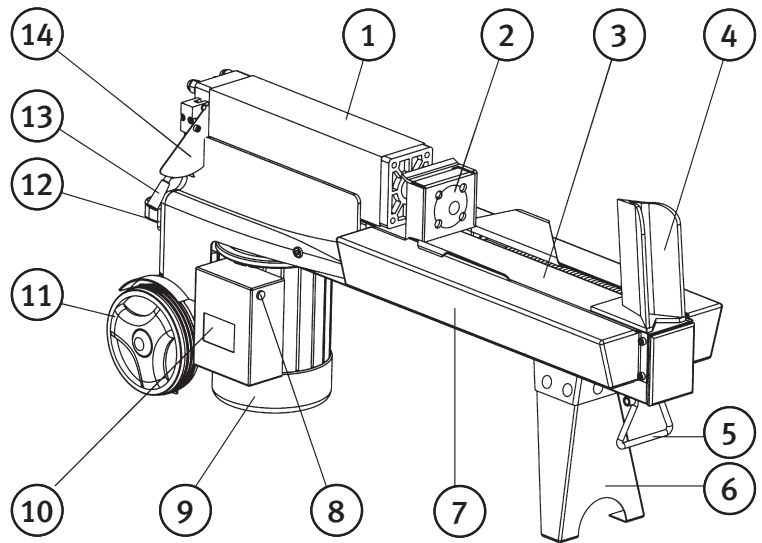
- A. Log splitter
- B. Brace
- C. Manual
- D. Bag containing bolts for the braces (M8) and piston stroke limiter



# Product description

## Components

- 1. Oil tank
- 2. Pressure plate
- 3. Work bench with lateral supports
- 4. Splitter
- 5. Lifting/Pulling handle
- 6. Brace
- 7. Safeguard over the return spring
- 8. Power switch
- 9. Motor
- 10. Power switch box
- 11. Wheels to use when moving short distances
- 12. Lifting handles
- 13. Operating lever
- 14. Safety guard for operating lever
- 15. Bleeding screw
- 16. Oil plug and dipstick
- 17. Pressure limiter valve (under the cover)
- 18. Piston control (Please see next page)
- 19. Piston stroke limiter (Please see next page)
- 20. Locking pin (Please see next page)



# Assembly

Assemble the brace using the bolts enclosed.

## Preparation

1. Place the log splitter on a flat and stable work surface at a practical height.
2. Set the splitting distance (see below)
3. Connect the power cable to a socket, preferably via an earth fault breaker. Remember to place the cable so that it will not be damaged when working the log splitter.
4. Unscrew the air screw (13) 3–4 revolutions, so that a noticeable air current can be felt during use.

## How to use

### Setting the splitting distance

The log splitter is meant for logs up to a length of 52 cm.

1. Remove the locking pin on the piston rod behind the pressure plate.
2. Pull the pressure plate to the splitter until one of the holes in the inner and outer piston rod align.
3. Replace the locking pin
4. If the logs are shorter, use the piston stroke limiter\* (see below) to limit piston rod movement and to increase the working operation.

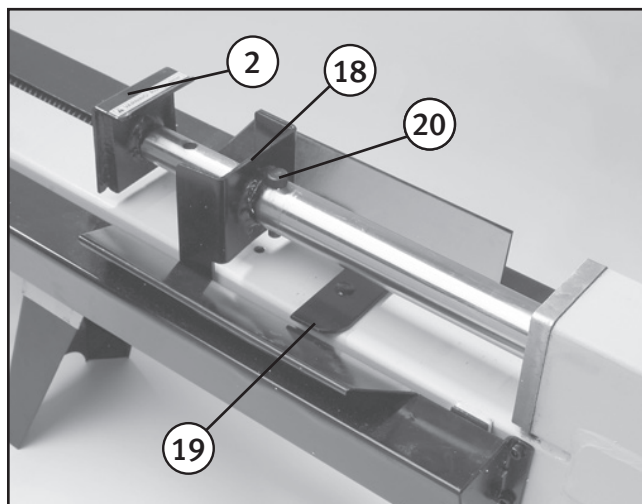
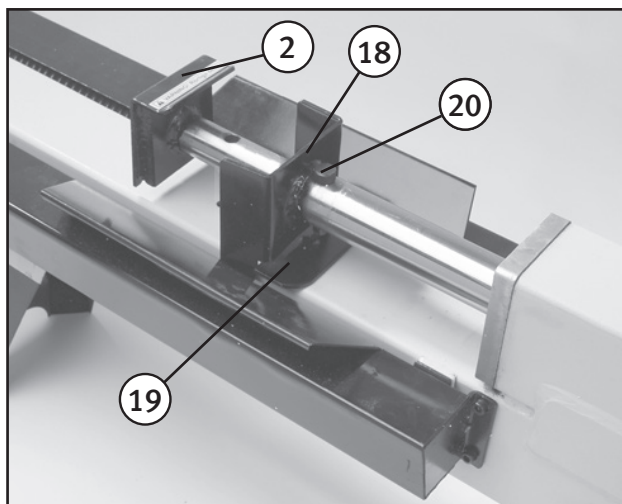
\* The piston stroke limiter is a detachable stop which hinders the return action of the piston control.

Only use when logs are short:

1. Press the switch and operating lever and let the piston move to its outer position. Release the switch but keep a hold of the operating lever.
2. Place the pin of the piston stroke limiter in one of the holes in the work bench.
3. Release the pressure lever so that the piston control (17) is stopped by the piston stroke limiter (18).
4. Adjust the splitting distance by changing the length of the piston rod using the three holes.

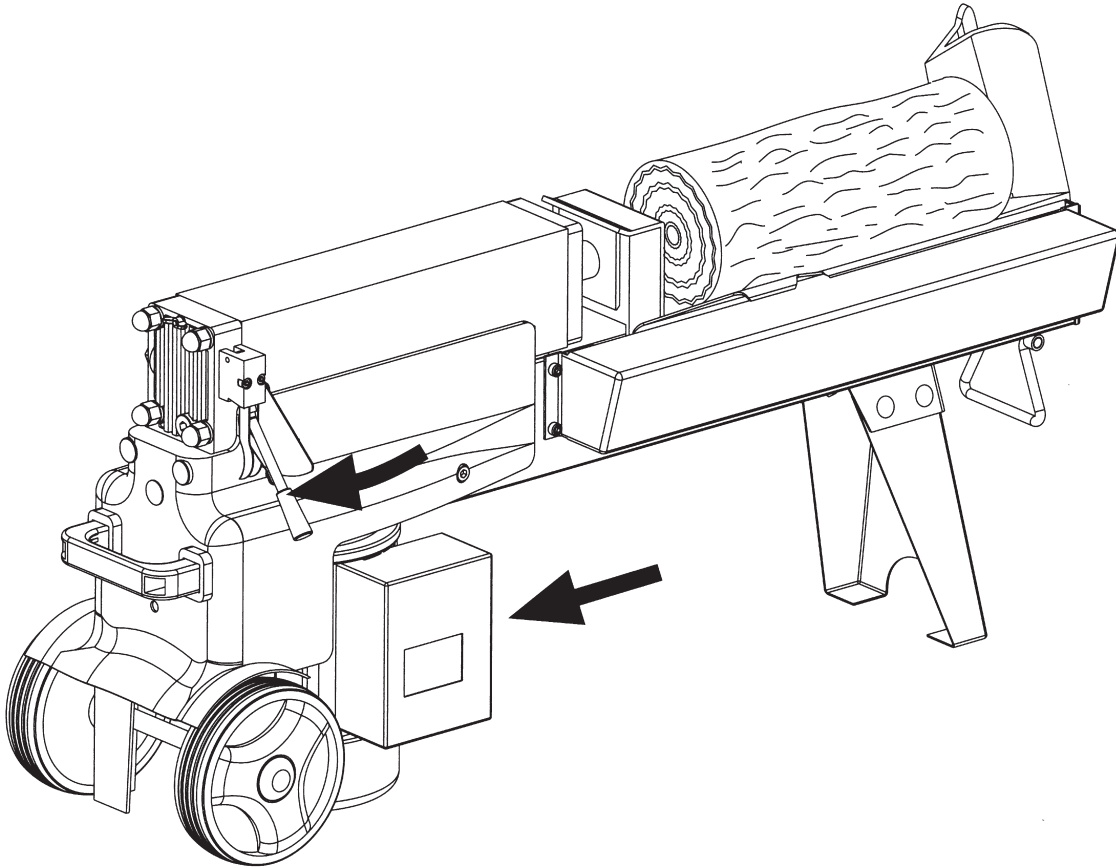
#### Note!

- Never use the piston stroke limiter (19) in front of the pressure plate (2). It must always be behind the pressure plate (2) or be removed.
- Never use the splitter without the pressure plate (2) mounted and fixed with supplied locking pin. (20).



## Working with the log splitter

1. Always place the side with the least amount of knots against the splitter and always cleave with the grain.
2. Place the log so that it is stable. Use the work bench lateral supports.
3. Start the motor by pressing and then holding down the switch.
4. Start the hydraulics by moving the operating lever down.
5. The pressure plate on the piston rod will now press the piece of wood against the splitter.
6. Release the operating lever and switch to complete the splitting. The return springs now pull the piston rod back.



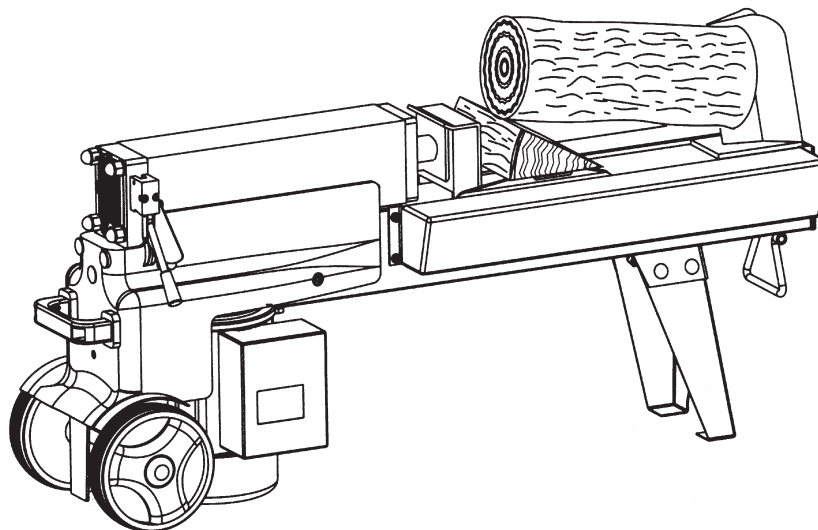
### Note!

- If splitting does not start within 5 seconds in spite of full pressure: release the operating lever and switch and let the pressure plate retract. Then turn the log 90 degrees or turn it around and try again.
- Close the air screw (13) during transport and when storing the machine as oil can seep out. When storing the machine with the air screw open for long periods of time, the oil absorbs moisture from the air which can lead to the hydraulic system rusting inside.

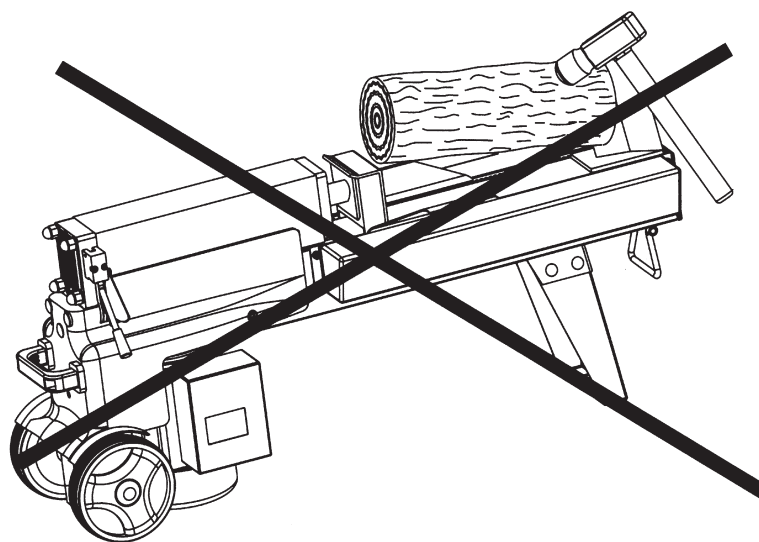


## If the log jams

- Complete the splitting.
- When the pressure plate has returned to its original position: place a wooden wedge under the jammed log.
- Start the log splitter and push the wedge in using the pressure plate.
- If necessary, repeat using a larger wedge.



**Note!** Never try to get a piece of wood out which is under pressure by chopping at it. It can splinter at high velocity which can lead to personal injury or damage to the log splitter.

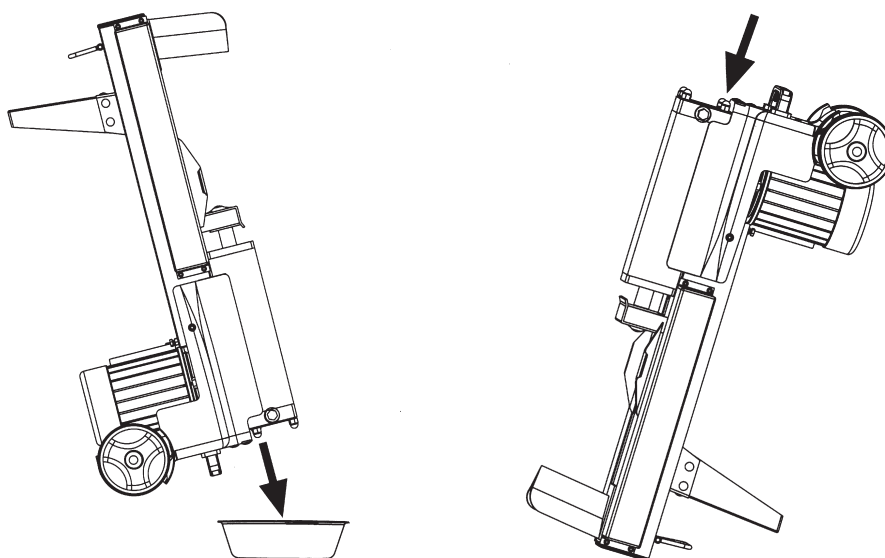


# Maintenance

## Changing the hydraulic oil

The hydraulic oil has to be changed at regular intervals (approx. 150 hrs) according to the following:

1. Ensure that the pressure plate is in its original position and disconnect the power cable.
2. Unscrew the oil plug (16).
3. Lift the pull handle and tip the log splitter over a collecting tray which holds at least 4 litres and wait until all the oil has run out.
4. Tip the log splitter so that the motor side is up and fill using good quality hydraulic oil (approx. 2.4 litres)
5. Wipe the dipstick and place it in the tank when the log splitter is in a horizontal position. Pull it back out and take a reading. The oil level should be between the two markings on the dipstick.
6. Clean the oil plug and screw it back properly so that the oil does not leak out.
7. Check the oil level regularly and when necessary, top it up.



## Sharpening the splitter

Keep the splitter sharp by filing off the burrs of the cutting edge regularly using a finely serrated metal file.

## Other Maintenance

- Always remove the plug before commencing maintenance.
- Ensure that all power cables, plugs and switches are undamaged and in good working order.
- Clean all of the surfaces on the log splitter using a brush and dry cloths.
- Store the machine in a dry, clean and non-corrosive environment out of reach for children. Ensure that the storage temperature does not fall below  $-25^{\circ}\text{C}$ .
- Clean the return springs under the work bench with a wooden wedge or use pressurized air.

## Disposal

Follow local ordinances when disposing of this product. If you are unsure about how to dispose of this product contact your municipality.



## Troubleshooting

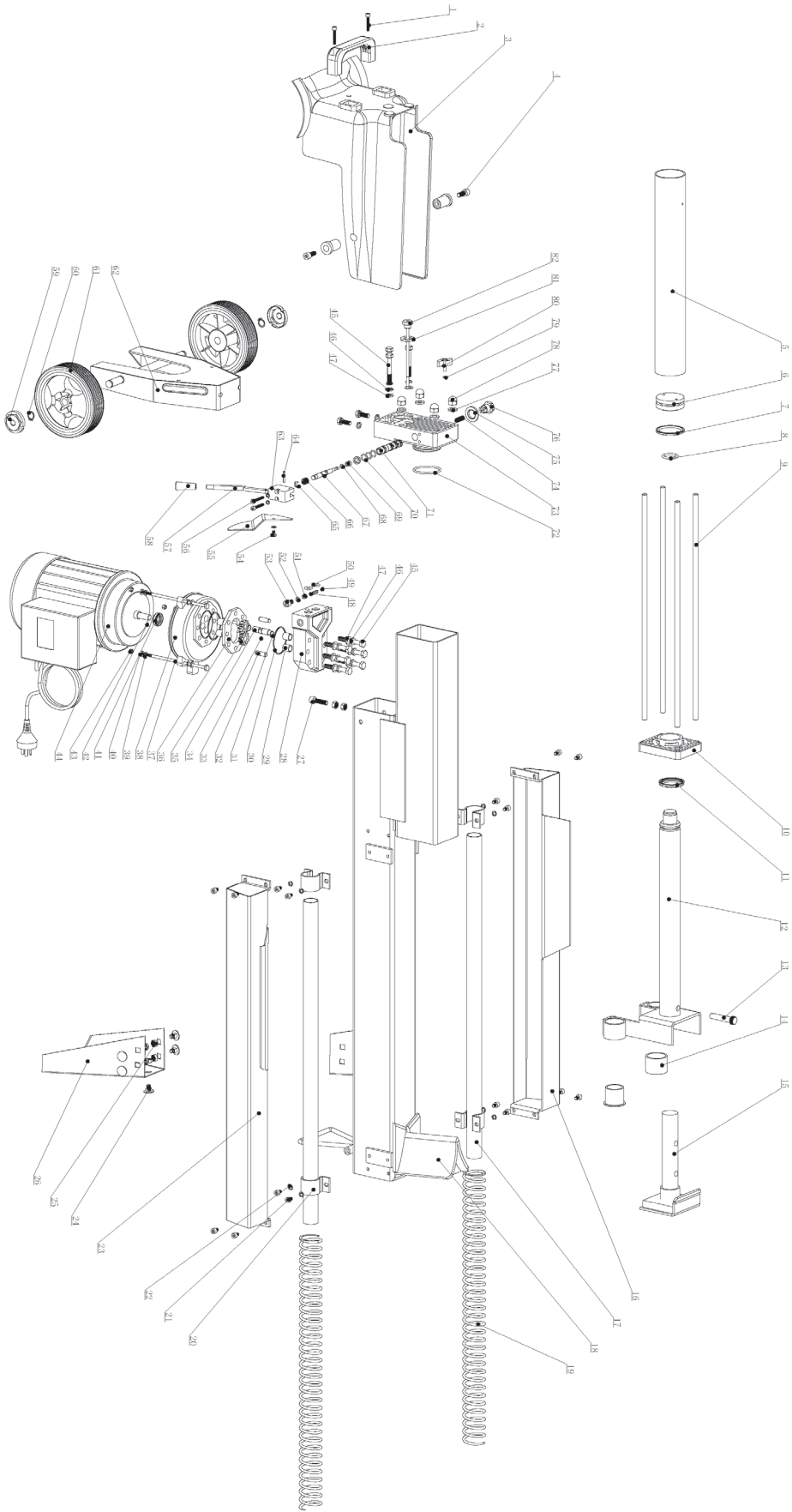
Problem	Possible cause	Suitable measure
Unsuccessful splitting.	The log is wrongly placed.	Turn around or rotate the log.
	The hardness or diameter of the log is too great.	Try decreasing the diameter or length before splitting.
	The splitter is blunt or damaged.	Sharpen the splitter (see <i>Maintenance</i> ).
	Oil leakage.	Find the leakage and let a qualified technician repair it. Top up the oil.
	Pressure regulator wrongly adjusted.	Let a qualified technician with access to testing equipment repair it.
The pressure plate moves abruptly with a jarring sound and strong vibrations.	Oil pressure too low - air in the system.	Check the level and if required top up the oil or repair leakage.
Oil leakage around the piston or other component.	Air pockets in the hydraulic system during operation.	Loosen the bleeding screw 3–4 revolutions before starting operation.
	The air screw has not been tightened before transport.	Tighten the bleeding screw before transport.
	The oil plug is not tightened sufficiently.	Tighten the oil plug.
	The hydraulic valve and/or packing are worn out.	Contact retailer.

## Technical specification

<b>Model</b>	LS5T-52
<b>Motor</b>	230 V AC 50Hz
<b>Power</b>	1500 W
<b>Enclosure class</b>	IP54
<b>Splitting capacity*</b>	Ø 5–25 cm, length 52 cm
<b>Recommended working temperature</b>	+5° C to +40° C
<b>Splitting force</b>	5 tonnes
<b>Hydraulic pressure</b>	20 Mpa
<b>Hydraulic oil capacity</b>	2.4 l
<b>Dimensions</b>	Length 122 cm Width 25 cm Height 48 cm
<b>Weight</b>	50 kg

\*The stated values are for guidance. The capacity depends on the hardness of the piece of wood, diameter and the amount of knots

# List of components



Number	Name	Qty
1	Screw M6 × 15	2
2	Handle	1
3	Cover	1
4	Screw M8 × 20	4
5	Cylinder	1
6	Piston	1
7	Piston sealing	1
8	O-ring gasket	1
9	Drawbar	4
10	Front side	1
11	Piston sealing	1
12	Piston rod	1
13	Locking pin	1
14	Operations	2
15	Pressure plate and length setting	1
16	Spring protection/support for log (left)	1
17	Operations	2
18	Splitter	1
19	Return springs	2
20	Holder	4
21	Screw M6 × 10	16
22	Spring washer M6	8
23	Spring protection/support for log (right)	1
24	Bolt M8 × 12	5
25	Nut M8	7
26	Braces	1
27	Bolt M8 × 30	1
28	Pump side	1
29	Side bearing bushing	4
30	O-ring gasket	2
31	Locking ring	2
32	Pin B8 × 24	2
33	Steel ball 2.5	1
34	Axel	1
35	Pump wheel	2
36	Pump house	1
37	Bolt M5 × 185	3
38	Side motor/pump	1
39	Gasket	4
40	Spring washer M5	4
41	Sealing	1

Number	Name	Qty
42	Feather key	1
43	Nut M5	3
44	Motor with switch	1
45	Bolt M8 × 30	6
46	Spring washer M8	11
47	Washer M8	9
48	Spring for safety valve	1
49	Steel ball 6	1
50	O-ring gasket	2
51	Adjusting screw for safety valve	1
52	O-ring gasket	1
53	Screw	1
54	Bolt M5 × 8	1
55	Cover for operating lever	1
56	Screw M6 × 35	2
57	Operating lever	-
58	Knob	1
59	Hub cap	2
60	Locking ring	2
61	Wheel	2
62	Wheel bracket	1
63	Operating lever, complete	1
64	Tube cotter pin	-
65	Locking ring	1
66	Spring	1
67	Valve piston	1
68	O-ring gasket	1
69	Sleeve	1
70	O-ring gasket	5
71	Valve cylinder	1
72	O-ring gasket	1
73	Rear side	1
74	Spring	1
75	O-ring gasket	1
76	Plug	1
77	Gasket	4
78	Domed cap nut	4
79	O-ring gasket	1
80	Bleeding screw	1
81	Packing	1
82	Dipstick/oil plug	1

# Vedklyv

ART.NR 18-3018  
30-8710

MODELL LS5T-52-UK  
LS5T-52

Läs igenom hela bruksanvisningen före användning och spara den sedan för framtida bruk. Vi reserverar oss för ev. text- och bildfel samt ändringar av tekniska data. Vid tekniska problem eller andra frågor, kontakta vår kundtjänst (se adressuppgifter på baksidan).

## Varning!

När du använder elektriska handverktyg ska alltid följande generella säkerhetsregler följas, för att undvika brandfara, elektrisk chock och personskada.

**Dra alltid ut nätsladdens stickpropp ur el-uttaget innan service och justering av produkten!**

## Generella säkerhetsregler för din och andras säkerhet

- Håll arbetsutrymmet rent!**  
Belamrade ytor och bord inbjuder till olyckor.
- Använd inte maskinen i riskfylld miljö!**  
Elmaskiner skall inte användas på fuktiga, våta ytor eller vid regn. Se till att belysningen är god i arbetsutrymmet. Sörj för god luftväxling vid dammande arbeten. Använd aldrig elektriska maskiner/verktyg där de kan förorsaka brand eller explosion!
- Undvik elektrisk chock!**  
Undvik kroppskontakt med jordade föremål som vattenledning, element, köksspis etc. samtidigt som du använder el-maskiner/verktyg.
- Håll undan barn och besökare!**  
Alla barn och besökare bör befinna sig på säkerhetsavstånd från el-maskiner/verktyg eller elkablar i arbetsutrymmet.
- Förvara maskinerna barnsäkert!**  
Förvara el-maskiner/verktyg inlåsta eller utom räckhåll för barn när de inte används!
- Pressa inte maskinen!**  
Den gör jobbet bättre och säkrare med avsedd matningshastighet.
- Använd rätt verktyg!**  
Pressa inte ett verktyg eller en tillsats att göra ett arbetsmoment som den inte är gjord för.
- Bär lämplig klädsel!**  
Inga löst sittande kläder, vantar, halsband, ringar, armband eller andra smycken som kan fastna i roterande delar. Halksäkra skor rekommenderas. Bär hårnät (motsv.) om du har långt hår.
- Bär alltid skyddsglasögon!**  
Bär alltid skyddsglasögon, vanliga glasögon räcker inte! Använd också dammfilter eller skyddsmask vid dammande arbeten.
- Använd utsug!**  
Använd utsugningsutrustning för att ta bort och samla damm och spån, om maskinen är avsedd för det, se till att utrustningen används på rätt sätt och töms vid behov.
- Misshandla inte nätsladden!**  
Bär aldrig maskinen i nätsladden. Ryck inte i sladden, utan dra i stickproppen när du bryter strömmen. Se till att nätsladden inte kommer i kontakt med värme, olja eller vassa kanter.
- Sätt fast ämnet ordentligt!**  
Använd tvingar eller skruvstycke där det går, då kan du hantera verktyget med två händer. Det är säkrare än att hålla fast ämnet med ena handen.
- Sträck dig inte för långt!**  
Se till att du hela tiden står säkert med god balans.

**14. Håll verktygen i trim!**

Se till att de är rena och eggarna vassa för optimal effekt och ett säkert resultat. Följ manualens rekommendationer för smörjning och byte av tillbehör. Kontrollera nätsladden regelbundet, om den är skadad ska den bytas av en kvalificerad servicetekniker. Syna alla skarvsladdar regelbundet så att de inte är skadade. Se till att maskinens/verktygets handtag och reglage är torra, rena och helt fria från olja, fett etc.

**15. Slå av strömmen!**

Dra ur stickproppen och tryck in nödstopp, före service och vid byte av tillbehör som hyvelstål, borrar, skär, slipband eller blad.

**16. Ta bort alla nycklar och serviceverktyg!**

Gör det till en vana att kontrollera att alla nycklar och serviceverktyg är borttagna från maskinen innan du slår på strömmen.

**17. Undvik oavsiktlig start!**

Bär inte ett verktyg med ett finger på strömbrytaren/avtryckaren om sladden sitter i ett uttag. Se till att strömbrytaren står på OFF när du sätter in stickproppen.

**18. Använd rätt skarvsladdar!**

Om du använder skarvsladdar utomhus, använd endast de som är avsedda för utomhusbruk. Använd skarvsladdar med tillräcklig ledararea, rulla ut hela sladden!

**19. Använd sunt förnuft och var försiktig!**

Tänk efter innan du utför ett arbetsmoment, så att du kan utföra det på ett säkert sätt! Använd inte maskinen/verktyget när du är trött, påverkad av mediciner etc.

**20. Kontrollera att alla delar är oskadade!**

Kontrollera innan du startar verktyget: att alla skydd och övriga delar är oskadade och fyller sin funktion, att rörliga delar kan rotera fritt och är rätt inriktade, att inga rörliga delar kan fastna, att ingen defekt uppstått och andra omständigheter som kan påverka arbetets utförande. Ett skydd eller någon annan del som skadats, skall repareras fackmässigt eller bytas ut. Skadade nätsladdar och strömbrytare ska alltid bytas ut av fackman. Använd aldrig verktyget om du inte kan stänga av eller starta det på ett betryggande sätt.

**21. Använd rekommenderade tillbehör!**

Användning av ej rekommenderade tillbehör kan vålla olyckor eller risk för personskada.

**22. Repareras endast av kvalificerad tekniker!**

Verktyget överensstämmer med gällande säkerhetskrav. Reparationer av verktyget ska alltid utföras av fackman, med originalreservdelar, annars kan verktyget vålla olyckor eller risk för personskada.

**23. El-verktyg bör anslutas till elnätet via en jordfelsbrytare för personskydd!**

Produkten får inte ändras eller användas till arbetsmoment som den inte är avsedd för! Kontrollera regelbundet att alla skruvar och muttrar är ordentligt åtdragna!

## Särskilda säkerhetsföreskrifter för vedklyv

- Spara bruksanvisningen, se till att den medföljer maskinen vid ev. utlåning.
- Läs maskinens varningsdekaler och se till att de är läsbara.
- Kontrollera att eluttaget har rätt spänning innan vedklyven ansluts (230 V).
- Försök aldrig att själv ändra tryckinställningen. Den är inställd på fabriken för att ge max tryckkraft på 5 ton. Felaktig inställning kan leda till försämrad funktion eller att allvariga person- och maskinskador uppstår.
- Använd skyddsglasögon, hörselskydd och skyddsskor vid behov.
- Stå alltid så att du kan utföra alla arbetsmoment med god balans och håll strömbrytare och tryckspak med båda händerna.
- Håll händer och fingrar på säkert avstånd från tryckplatta och klyvkiel, använd som vanligt vid arbete med alla maskiner, ditt sunda förnuft och var försiktig när du jobbar.
- Se till att inte människor och djur uppehåller sig i närheten av maskinen, vassa träflisor kan flyga omkring med stor kraft.
- Dra alltid ur nätsladdens stickpropp ur el-uttaget vid service och uppehåll i arbetet och se till att inga barn kan starta vedklyven.
- Anslut vedklyven till ett el-uttag via en jordfelsbrytare, för säkerhets skull!
- Använd aldrig vedklyven i regn eller extremt fuktig väderlek.
- Använd aldrig maskinen om elkabel, strömbrytare eller någon annan del är skadad, defekt del ska bytas av fackman.
- Håll rent på arbetsplatsen, se till att inte elmotorns kylning förhindras genom att skräp täcker kylflänsarna eller kylflötsintaget.
- **Obs!** Skruva ut luftskruven (15) 3–4 varv, så att en märkbar luftström kan märkas under drift, annars kan tätningarna i hydraulsystemet skadas och göra vedklyven obrukbar.
- Kontrollera innan användning att muttrarna till dragstängerna sitter fast, annars kan vedklyven skadas.

## Produktmärkning med säkerhetssymboler på maskinen



**Varning!** Klämrisk, var uppmärksam, håll undan händerna från rörliga delar under hela klyvmomentet.



**Varning!** Klämrisk när du tar bort ett vedstycke som har fastnat, ta inte bort det med händerna, använd något verktyg.



**Varning!** Klämrisk, var alltid uppmärksam på hur tryckplattan rör sig.



Det är förbjudet för andra än maskinoperatören att vistas i maskinens riskområde!  
Håll undan barn, husdjur och besökare från maskinens riskområde.



Stäng av maskinen och dra ut nätsladdens stickpropp ur eluttaget när inte maskinen används och före rengöring och service.



Tänk på miljön, hantera spillolja enligt lokala miljöregler.



Kontrollera att maskinen är oskadad innan användning, kontrollera särskilt att elkabeln är oskadad, om det finns lösa skruvar/muttrar och om manöverreglagen fungerar bra.



Läs bruksanvisningen.  
Läs hela bruksanvisningen och försök förstå maskinens arbetssätt.



Använd skyddsglasögon.  
Skydda ögonen mot flygande flisor. Använd skyddsglasögon eller visir.



Använd handskar.

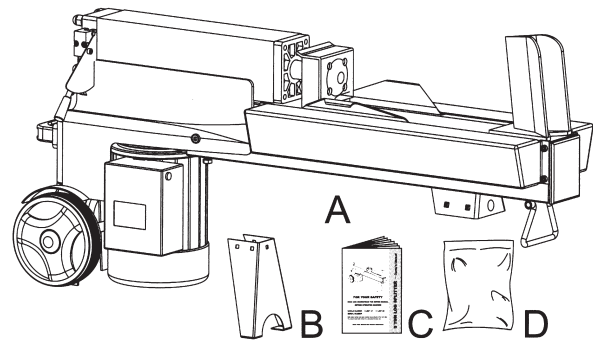


Använd skyddsskor.  
Använd skyddsskor med skyddståhätta som skyddar mot nedfallande föremål.



# Förpackningen innehåller

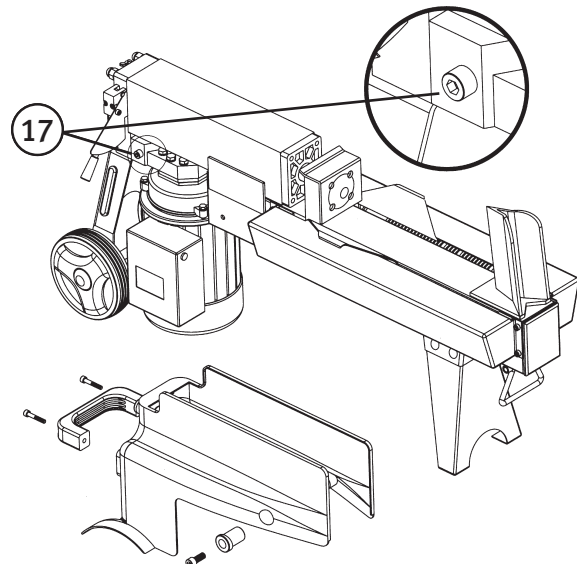
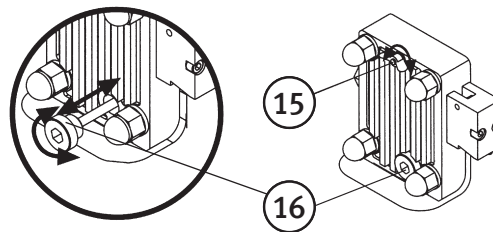
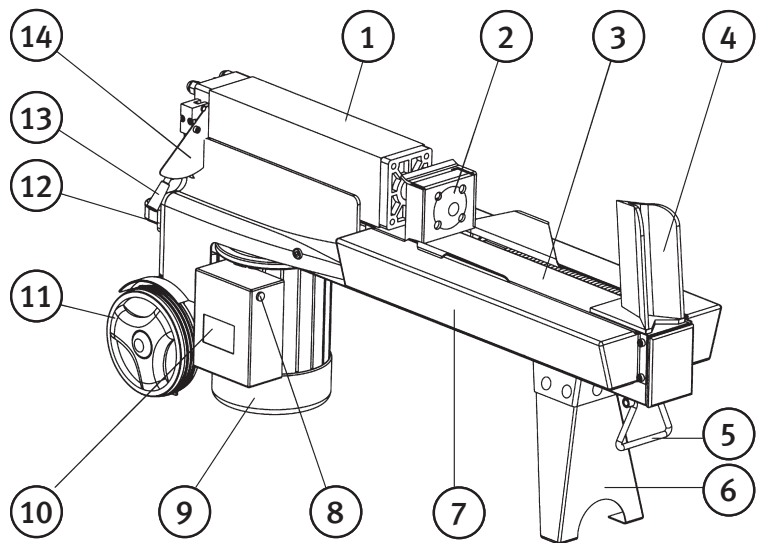
- A. Vedklyv
- B. Stödben
- C. Bruksanvisning
- D. Påse med bultar till stödben (M8) och slaglängdsbegränsare



# Produktbeskrivning

## Komponenter

- 1. Oljetank
- 2. Tryckplatta
- 3. Arbetsbord med sidostöd
- 4. Klyvkniv
- 5. Lyft-/draghandtag
- 6. Stödben
- 7. Skydd över returfjäder
- 8. Strömbrytare
- 9. Motor
- 10. Strömbrytarbox
- 11. Hjul för kortare förflyttning
- 12. Lyfthandtag
- 13. Manöverspak
- 14. Skydd för manöverspak
- 15. Luftningsskruv
- 16. Oljeplugg med oljesticka
- 17. Tryckbegränsningsventil (under kåpan)
- 18. Kolvstyrning (Se nästa sida)
- 19. Slaglängdsbegränsare (Se nästa sida)
- 20. Låspinne (Se nästa sida)



# Montering

Montera stödbenet med de medföljande bultarna.

## Förberedelser

1. Placera vedklyven på en plan och stabil arbetsyta med lagom arbetshöjd.
2. Ställ in klyvlängd (se nedan).
3. Anslut elkabeln till ett el-uttag, helst via jordfelsbrytare, tänk på att dra kabeln så att den inte kan skadas vid arbete med vedklyven.
4. Skruva ut luftskruven (15) 3–4 varv, så att en märkbar luftström kan märkas under drift.

## Användning

### Inställning av klyvlängd

Vedklyven är avsedd för ved med längd upp till 52 cm.

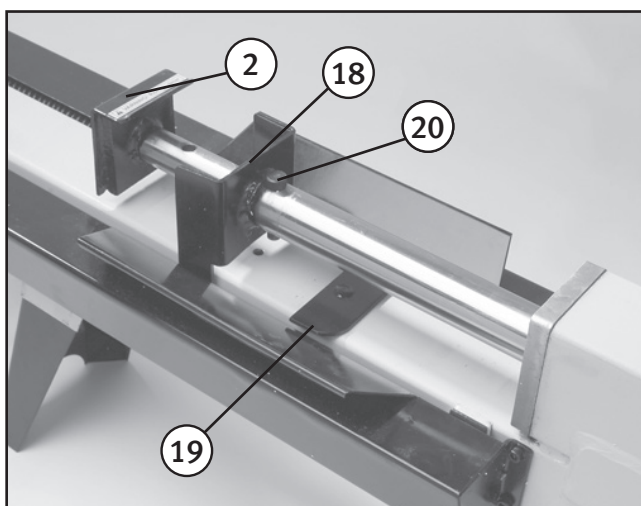
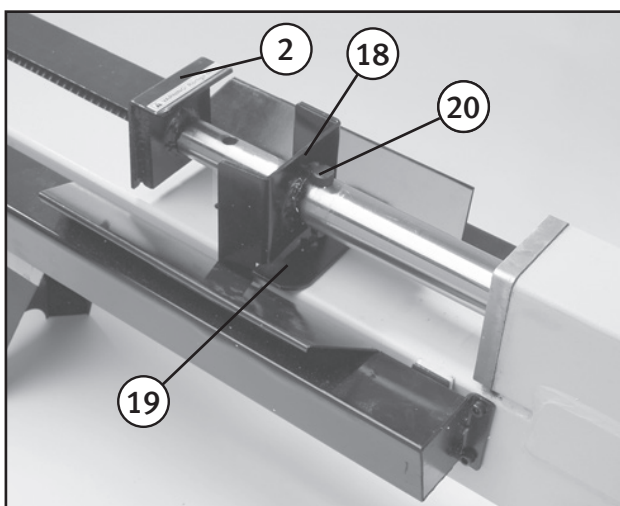
1. Ta bort låspinnen på kolvstången bakom tryckplattan.
2. Dra fram tryckplattan mot klyvkniven till något av hålen i inre och yttre kolvstången ligger mitt för varandra.
3. Sätt tillbaka låspinnen.
4. För kortare vedlängder används slaglängdsbegränsaren\* (se nedan) för att förkorta kolvstångens rörelseområde och ge snabbare arbetsmoment.

\* Slaglängdsbegränsaren är ett löstagbart stopp som hindrar kolvstyrningens återgående rörelse. Använd den endast vid korta vedlängder:

1. Tryck in strömbrytaren och manöverspaken och låt kolven gå ut till sitt yttre läge, släpp strömbrytaren men håll kvar manöverspaken.
2. Placera slaglängdsbegränsarens tapp i ett av hålen i arbetsbordet.
3. Släpp tryckspaken så att kolvstyrningen (18) stoppas av slaglängdsbegränsaren (19).
4. Justera klyvlängd genom att ändra kolvstångens längd med hjälp av de två hålen.

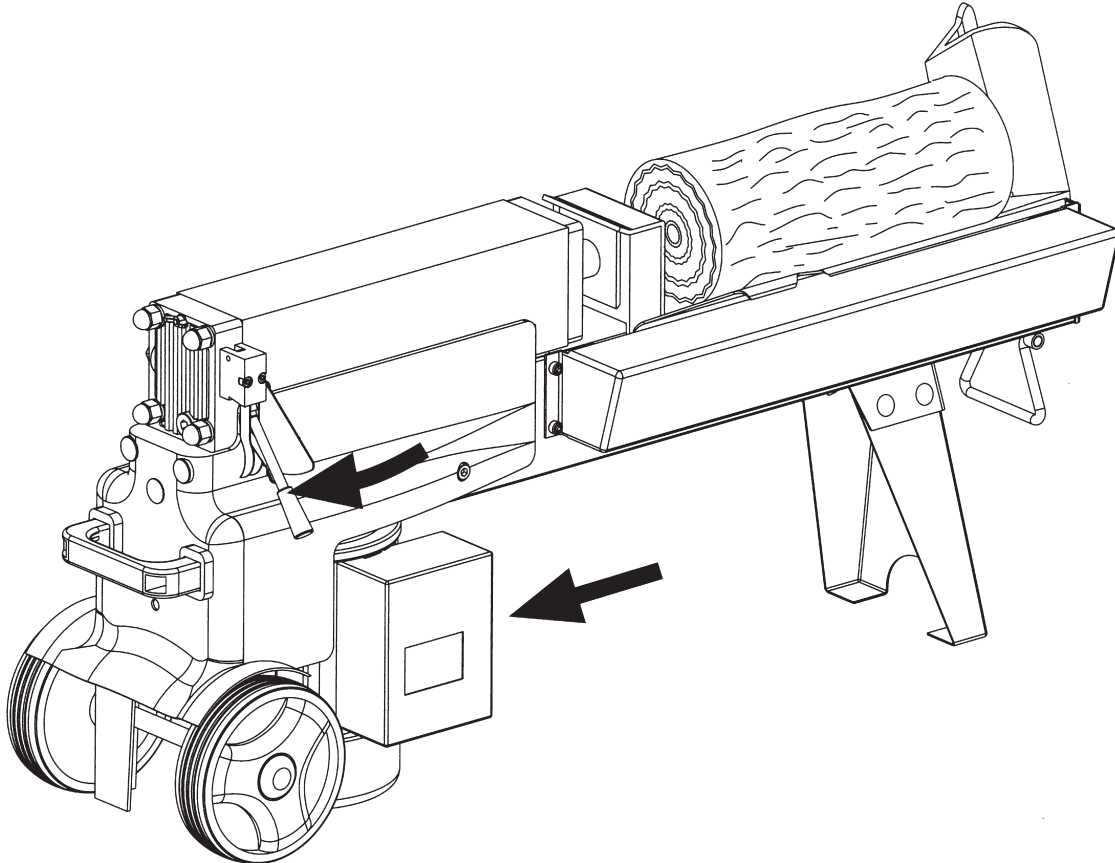
### Obs!

- Kör aldrig med slaglängdsbegränsaren (19) framför tryckplattan (2), den ska alltid vara bakom tryckplattan (2) eller borttagen.
- Kör aldrig klyven utan tryckplattan (2) monterad och fixerad med tillhörande låspinne (20).



## Börja arbeta med vedklyven

1. Lägg alltid den minst kvistiga sidan av trästycket mot klyvkniven, klyv alltid i fiberriktningen.
2. Placera trästycket så att det ligger stabilt, använd arbetsbordets sidostöd som hjälp.
3. Starta motorn genom att trycka in och håll kvar strömbrytaren.
4. Starta hydrauliken genom att fälla ner manöverspaken.
5. Tryckplattan på kolvstången pressar nu trästycket mot klyvkniven.
6. Släpp manöverspak och strömbrytare för att avsluta klyvningen, retur fjädrarna drar nu tillbaka kolvstången.

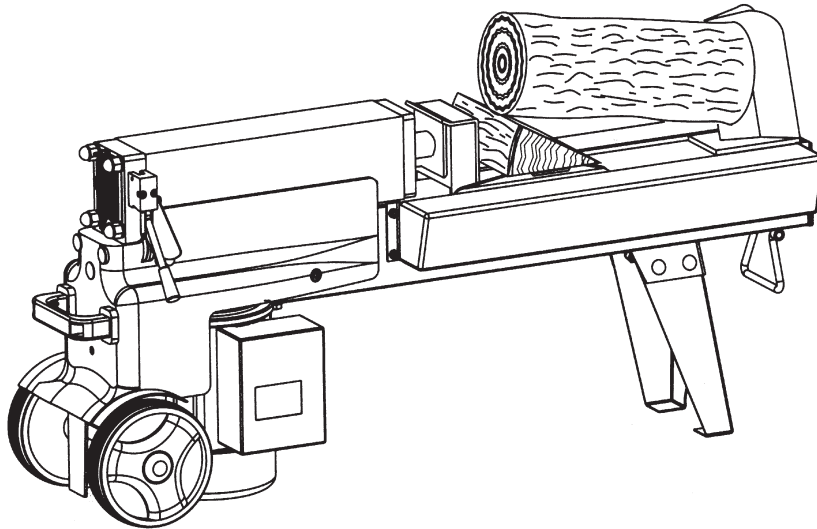


### Obs!

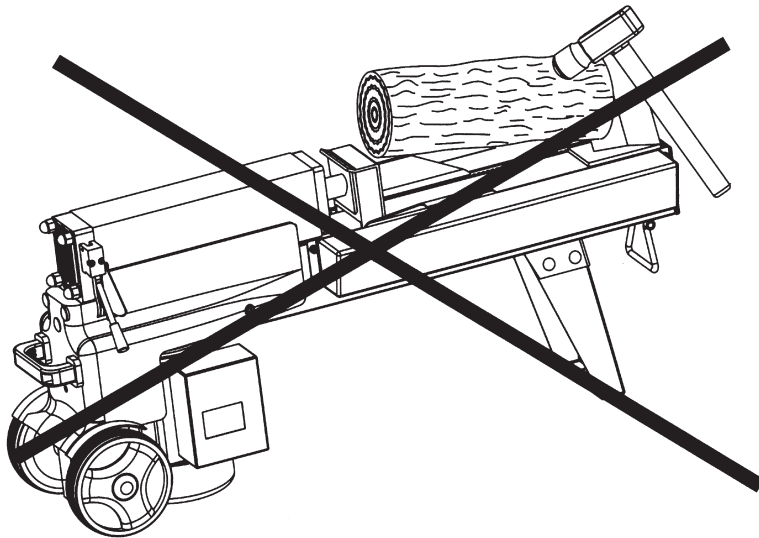
- Om trästycket inte börjar klyvas inom 5 sekunder trots fullt tryck: släpp manöverspak och strömbrytare och låt tryckplattan gå tillbaka, vrid trästycket 90° eller vänd det och prova igen.
- Stäng luftskruven (15) vid transport och lagring av maskinen då oljan kan läcka ut. Vid längre förvaring med öppen luftskruv absorberar oljan den fukt som finns i luften det kan leda till att hydraulsystemet rostar invändigt.

## Om trästycket fastnar

- Avsluta klyvningen.
- När tryckplattan har återgått till utgångsläget: lägg en träkil under det fastlåsta trästycket.
- Starta vedklyven och tryck in kilen med hjälp av tryckplattan.
- Upprepa med en större kil vid behov.



**Obs!** Försök aldrig att hugga loss ett trästycke som sitter i spänn, det kan splittras med hög kraft som kan leda till personskador eller skada på vedklyven.

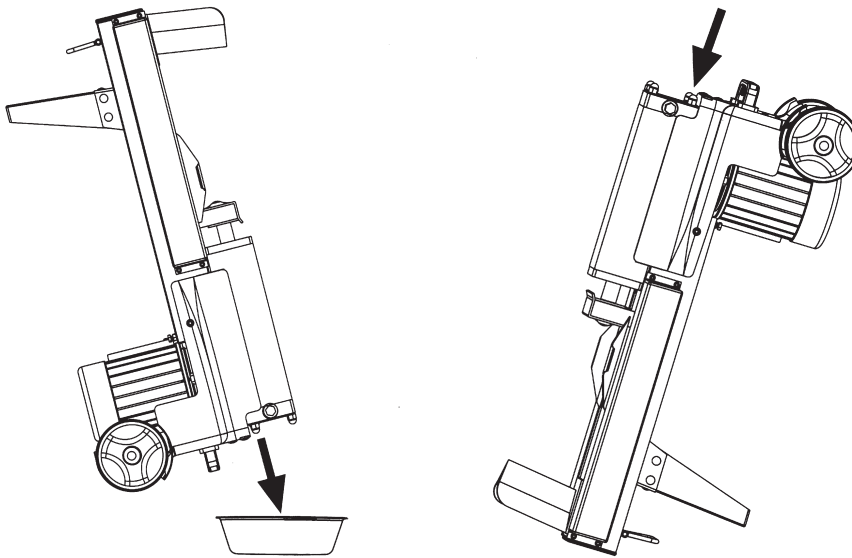


# Underhåll

## Byte av hydraulolja

Med jämna intervaller (ca 150 driftstimmar) skall hydrauloljan bytas enligt följande:

1. Se till att tryckplattan är i sitt utgångsläge och dra ur stickproppen.
2. Skruva ur oljepluggen (16).
3. Vänd vedklyven så att motorsidan kommer neråt över ett uppsamlingskärl som rymmer minst 4 liter och vänta till all oljan har runnit ut.
4. Vänd vedklyven med klyvkniven neråt och häll i ny hydraulolja av god kvalitet (ca 2,4 l).
5. Torka ren oljestickan och stoppa den i tanken med vedklyven i vertikalt läge, dra upp oljestickan och läs av, oljenivån ska ligga mellan de två märkningarna på oljestickan
6. Gör ren oljepluggen och skruva fast den ordentligt så att inte oljan läcker ut.
7. Kontrollera oljenivån regelbundet och fyll på vid behov.



## Håll klyvkniven vass

Håll klyvkniven skarp genom att regelbundet fila bort eventuella grader på kniveggen med en fintandad metallfil.

## Övrigt underhåll

- Dra alltid ur nätsladdens stickpropp innan service eller justering påbörjas.
- Kontrollera att elkabel, kontakter och strömbrytare är i god kondition och utan skador.
- Rengör vedklyvens alla delar med borste och torra trasor.
- Förvara maskinen i en torr, ren och ickekorrosiv miljö, utom räckhåll för barn, se till att inte lagringstemperaturen sjunker under  $-25^{\circ}$ .
- Kontrollera att alla skruvar och muttrar sitter fast.

## Avfallshantering

När du ska göra dig av med produkten ska detta ske enligt lokala föreskrifter. Är du osäker på hur du ska gå tillväga, kontakta din kommun.



## Felsökning

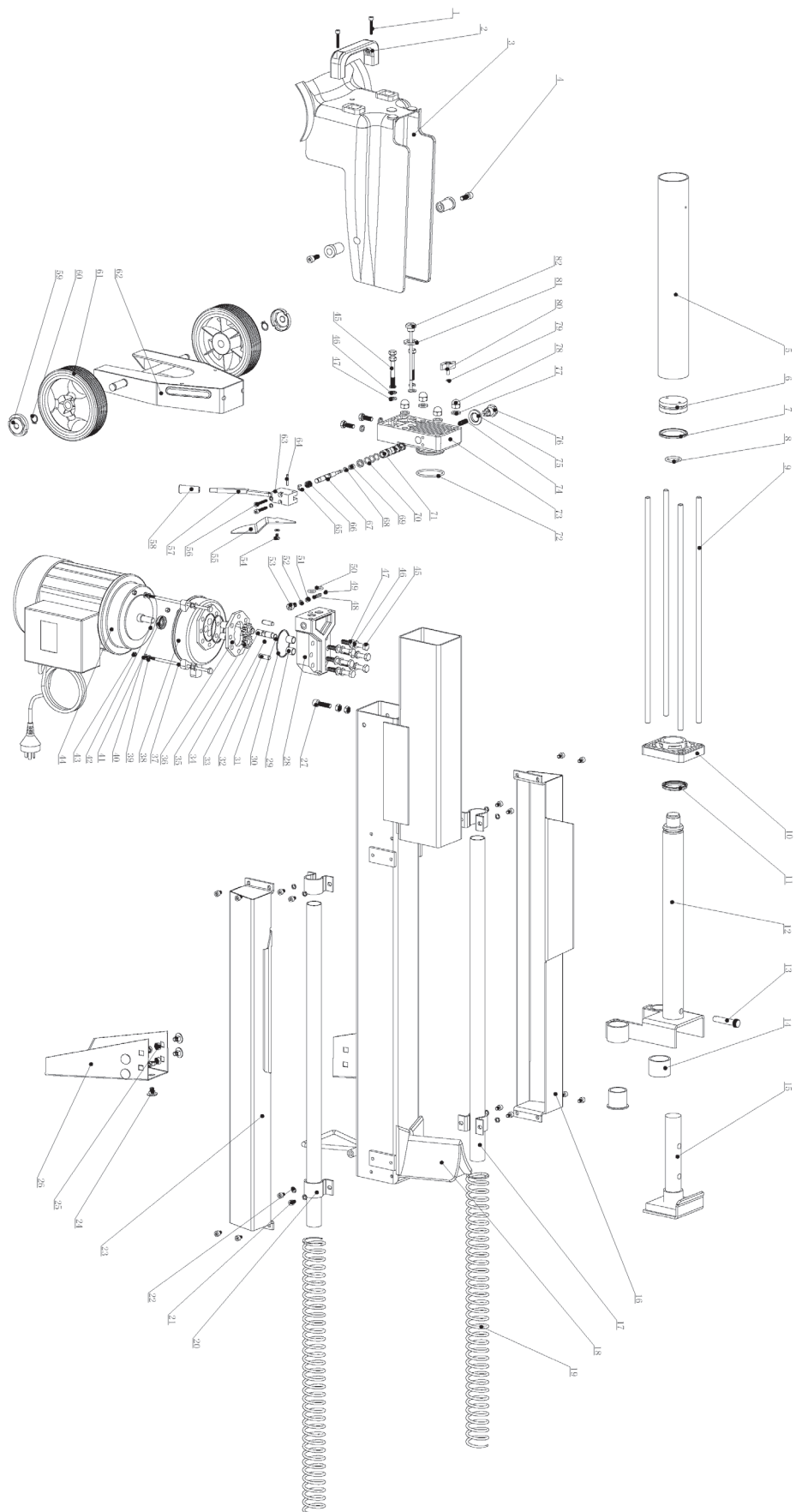
Problem	Möjlig orsak	Lämplig åtgärd
Klyvningen misslyckas.	Trästycket är felplacerat.	Vänd eller rotera trästycket.
	Trästyckets hårdhet eller diameter är för stor.	Försök att minska diameter eller längd innan klyvning.
	Klyvkniven slö eller skadad.	Vässa klyvkniven (se <i>Underhåll</i> ).
	Oljeläckage.	Lokalisera läckage, låt kvalificerad tekniker åtgärda felet, fyll på olja.
	Felaktig justering av tryckregulator.	Låt kvalificerad tekniker med tillgång till testutrustning åtgärda felet.
Tryckplattan rör sig ryckigt med missljud och kraftiga vibrationer.	För låg oljenivå, luft har kommit in i systemet.	Kontrollera nivån och fyll vid behov, åtgärda ev. läckage.
Oljeläckage vid kolv eller annan komponent.	Luftfickor i hydraulsystemet under drift.	Lossa luftningsskruven 3–4 varv innan arbetet påbörjas.
	Luftskruven har inte dragits åt innan transport eller förflyttning.	Dra åt luftningsskruven innan flyttning eller transport.
	Oljepluggen är inte ordentligt åtdragen.	Dra åt oljepluggen.
	Hydraulventilen och/eller packningar är slitna.	Kontakta återförsäljare.

## Teknisk specifikation

<b>Modell beteckning</b>	LS5T-52
<b>Motor</b>	230 V AC 50 Hz
<b>Effekt</b>	1500 W
<b>Kapslingsklass</b>	IP54
<b>Klyvkapacitet*</b>	Ø 5–25 cm, längd 52 cm
<b>Rek. driftstemperatur</b>	+5 °C till + 40 °C
<b>Klyvkraft</b>	5 ton
<b>Hydrauliskt tryck</b>	20 Mpa
<b>Hydrauloljemängd</b>	2,4 liter
<b>Dimensioner</b>	Längd 122 cm Bredd 25 cm Höjd 48 cm
<b>Vikt</b>	50 kg

\*Angivna värden är riktvärden, kapaciteten beror på trästyckets hårdhet, diameter och kvistighet.

# Sprängkiss



Nr	Benämning	Antal
1	Skruv M6 x 15	2
2	Handtag	1
3	Kåpa	1
4	Skruv M8 x 20	4
5	Cylinder	1
6	Kolv	1
7	Kolvtätning	1
8	O-ring	1
9	Dragstång	4
10	Främre gavel	1
11	Kolvtätning	1
12	Kolvstång	1
13	Låspinne	1
14	Styrning	2
15	Tryckplatta med längdinställning	1
16	Fjäderskydd/vedstöd (vänster)	1
17	Styrning	2
18	Klyvkniv	1
19	Returfjäder	2
20	Fäste	4
21	Skruv M6 x 10	16
22	Fjäderbricka M6	8
23	Fjäderskydd/vedstöd (höger)	1
24	Bult M8 x 12	5
25	Mutter M8	7
26	Stödben	1
27	Bult M8 x 30	1
28	Pumpgavel	1
29	Glidlagerbussning	4
30	O-ring	2
31	Låsring	2
32	Pinne B8 x 24	2
33	Stålkula 2.5	1
34	Axel	1
35	Pumphjul	2
36	Pumphus	1
37	Bult M5 x 185	3
38	Gavel motor/pump	1
39	Bricka	4
40	Fjäderbricka M5	4
41	Tätning	1

Nr	Benämning	Antal
42	Krysskil	1
43	Mutter M5	3
44	Motor med strömbrytare	1
45	Bult M8 x 30	6
46	Fjäderbricka M8	11
47	Bricka M8	9
48	Fjäder till övertrycksventil	1
49	Stål kula 6	1
50	O-ring	2
51	Justeringskrav till övertrycksventil	1
52	O-ring	1
53	Skruv	1
54	Bult M5 x 8	1
55	Skydd till manöverspak	1
56	Skruv M6 x 35	2
57	Manöverspak	1
58	Knopp	1
59	Navkapsel	2
60	Låsring	2
61	Hjul	2
62	Hjulkonsoll	1
63	Manöverspak komplett	1
64	Rörsprint	1
65	Låsring	1
66	Fjäder	1
67	Ventilkolv	1
68	O-ring	1
69	Manschett	1
70	O-ring	5
71	Ventilcylinder	1
72	O-ring	1
73	Gavel bakre	1
74	Fjäder	1
75	O-ring	1
76	Plugg	1
77	Bricka	4
78	Kupolmutter	4
79	O-ring	1
80	Luftningsskrav	1
81	Packning	1
82	Oljesticka/oljeplugg	1



# Hydraulisk vedkløyver

ART.NR. 18-3018      MODELL LS5T-52-UK  
30-8710                      LS5T-52

Les nøye igjennom hele bruksanvisningen og ta vare på den til senere bruk. Vi reserverer oss mot ev. tekst- og bildefeil, samt forandringer av tekniske data. Ved tekniske problemer eller andre spørsmål, ta kontakt med vårt kundesenter (se opplysninger på baksiden).

**Advarsel!** Ved bruk av elektrisk håndverktøy skal alltid følgende, generelle sikkerhetsregler følges for å unngå brannfare, elektrisk sjokk og personskaade.

**Trekk alltid nettkabelens støpsel fra strømuttaket før service og justering av produktet!**

## Generelle sikkerhetsregler for egen og andres sikkerhet

- 1. Hold arbeidsstedet ryddig!**  
Uryddige arbeidsplasser innbyr til ulykker.
- 2. Bruk ikke maskinen i risikofylt miljø!**  
Elektromaskiner skal ikke benyttes på fuktige, våte miljøer eller ved regn. Påse at belysningen er god på arbeidsstedet. Sørg for god luftsirkulasjon ved støvfylte oppgaver. Bruk aldri elektriske maskiner/verktøy der de kan forårsake brann eller eksplosjon!
- 3. Unngå elektrisk sjokk!**  
Unngå kroppskontakt med jordede formål som vannledning, element, komfyr etc. samtidig som du bruker elektromaskiner/verktøy.
- 4. Hold barn og tilskuere på avstand!**  
Barn og tilskuere bør befinne seg på sikkerhetsavstand fra elektromaskiner/verktøy eller elkabler på arbeidsstedet.
- 5. Barnesikker oppbevaring!**  
Oppbevar elektromaskiner/verktøy innelåst eller utenfor rekkevidde for barn når de ikke er i bruk.
- 6. Press ikke maskinen!**  
Maskinen gjør jobben bedre og sikrere med beregnet matehastighet.
- 7. Bruk riktig verktøy!**  
Press ikke et verktøy eller lignende til å utføre et arbeidsmoment den ikke er beregnet for.
- 8. Bruk egnet klædsel!**  
Bruk ikke løstsittende klær, vanter, hals-/armbånd, ringer eller andre smykker som kan sette seg fast i roterende deler. Sklisikre sko anbefales. Bruk hårnett eller tilsvarende om du har langt hår.
- 9. Bruk verneutstyr!**  
Benytt alltid vernebrille, vanlige briller duger ikke! Bruk også støv-/vernemaske samt hørselvern der dette kreves.
- 10. Utlufting!**  
Bruk tilgjengelig utsugingsutrustning for å fjerne og samle opp støv og spon. Om maskinen er beregnet for det, påse at utrustningen brukes på riktig måte og tømmes ved behov.
- 11. Beskadige ikke nettkabelen!**  
Bær aldri maskinen i nettkabelen. Rykk ikke i kabelen, men trekk i støpselet når strømmen brytes. Påse at kabelen ikke kommer i kontakt med varme, olje eller skarpe kanter.
- 12. Sett fast emnet ordentlig!**  
Bruk tvinger eller skruestikke der dette er mulig, du kan da håndtere verktøyet med begge hender. Dette er sikrere enn å holde emnet med en hånd.
- 13. Strekk deg ikke for langt!**  
Sørg for at du hele tiden står stødig og med god balanse.
- 14. Hold verktøyet i god stand!**  
Se etter at eggen er hvass for optimal effekt og sikkert resultat. Følg manualens anbefalinger for smøring og bytte av tilbehør. Kontrollér nettkabelen regelmessig, om den er skadet skal den byttes av en kyndig person. Dette gjelder også ved bruk av skjøteledninger. Maskinens håndtak, strømbryter m.m. skal være rene, tørre og fri for olje, fett etc.

15. **Slå av strømmen!**  
Trekk ut støpselet og trykk inn nødstopp innen service utføres eller ved bytte av tilbehør som høvelstål, bor, slipebånd, blad etc.
16. **Ta bort alle nøkler og serviceverktøy!**  
Gjør det til en vane å kontrollere at alle nøkler og serviceverktøy er fjernet fra maskinen før du slår på strømmen.
17. **Unngå utilsiktet start!**  
Bær ikke verktøyet med fingeren på strømbryteren/avtrekkeren om nettkabelen sitter i et uttak. Påse at bryteren står i OFF når støpselet settes i.
18. **Bruk egnet skjøteledning!**  
Om du benytter skjøteledning utendørs, bruk kun ledning som er beregnet for dette formål samt påse at de har riktig trådareal. Rull ut hele ledningen!
19. **Bruk sunn fornuft og vær varsom!**  
Tenk etter, innen du utfører et arbeidsmoment, at dette kan utføres på en sikker måte! Bruk ikke maskinen/verktøyet når du er trett, påvirket av medisin etc.
20. **Kontroller at alle deler er uskadet!**  
Før du starter verktøyet, kontroller at all beskyttelse og øvrige deler er uskadet og oppfyller sin funksjon, at alle deler kan rotere fritt og er riktig justert, at ingen bevegelige deler kan sette seg fast, at ingen defekt har oppstått og øvrige omstendigheter som kan påvirke arbeidets utførelse. Et vern eller annen del som er skadet skal fagmessig repareres eller skiftes ut. Skadde kabler og strømbrytere skal alltid byttes av en fagmann. Bruk aldri verktøyet dersom du ikke kan stenge av eller starte det på en betryggende måte.
21. **Bruk anbefalt tilbehør!**  
Bruk av ikke anbefalt tilbehør kan volde ulykke eller risiko for personskade.
22. **Repareres kun av kyndig tekniker!**  
Verktøyet overensstemmer med gjeldende sikkerhetskrav. Reparasjoner skal alltid utføres av fagmann, med originale reservedeler, ellers kan verktøyet volde skade eller risiko for personskade.
23. **Elektroverktøy bør tilsluttes strømmettet via jordfeilbryter!**  
Produktet må ikke endres eller benyttes til arbeidsmoment det ikke er beregnet for! Kontroller regelmessig at alle skruer, muttere etc. er tilstrekkelig tilskrudd!

## Særskilte sikkerhetsforskrifter for vedkløyvere

- Spar bruksanvisningen, la den medfølge ved utlån, salg m.v.
- Les maskinens advarselsdekaleringer og påse at de er lesbare.
- Kontroller at strømmuttaket har riktig spenning innen vedkløyveren tilsluttes (230 V).
- Forsøk aldri selv å endre trykkinnstilling. Den er innstilt fra fabrikken for å gi en trykkraft på 5 tonn. Feilaktig innstilling kan medføre redusert funksjon eller medføre at alvorlige person- og maskinskade oppstår.
- Benytt vernebrille, hørselvern og vernesko ved behov.
- Stå alltid slik at du kan utføre alle arbeidsoperasjoner med god balanse og hold strømbryter og trykkspak med begge hender.
- Hold hender og fingre på sikker avstand fra trykkplate og kløyvekile, bruk som vanlig ved maskinarbeid din sunne fornuft og vær forsiktig.
- Påse at mennesker og dyr ikke oppholder seg i nærheten av maskinen, trefliser kan fly omkring med stor fart og kraft.
- Trekk alltid ut nettkabelen ved service og lengre arbeidsopphold. Se til at barn ikke kan starte vedkløyveren.
- Tilslutt kløyveren til strømmuttaket via en jordfeilbryter for sikkerhets skyld!
- Bruk aldri kløyveren i regn eller ekstremt fuktig vær.
- Bruk aldri maskinen om elkabler, strømbryter eller noen annen del er skadet. Defekt komponent skal byttes av fagmann.
- Hold arbeidsplassen ryddig, påse at motorens kjøling ikke forhindres ved at smuss etc. tetter kjøleflensene eller luftinntaket.
- **Obs!** Skru ut lufteskruen (15) 3–4 omdreininger så en merkbar luftstrøm kan kjønnnes under drift, ellers kan tetningene i hydraulikksystemet skades og gjøre vedkløyveren ubrukelig.
- Kontroller, før bruk, at muttere til trekkstengene sitter fast. I motsatt fall kan kløyveren skades.

# Produktmerking med sikkerhetssymboler på maskinen



**Advarsel!** Klemfare, vær oppmerksom, hold hånden unna bevegelige deler under hele kløyvemomentet.



**Advarsel!** Klemfare når du fjerner en kubbe som sitter fast. Ta den ikke bort med hendene, bruk et egnet redskap.



**Advarsel!** Klemfare, vær alltid oppmerksom på hvordan trykkplaten beveger seg.



Det er forbudt for andre enn maskinføreren å oppholde seg i maskinens risikoområde!  
Hold barn, tilskuere og dyr på sikker avstand!



Stopp maskinen og trekk ut støpselet fra strømuttaket når maskinen ikke benyttes og før rengjøring og service.



Tenk på miljøet, behandle spillolje i h.h.t. lokale miljøregler.



Kontroller at maskinen er uskadet før bruk og kontroller spesielt at nettkabelen er uskadet samt om det finnes løse skruer/muttere og om manøverspaken fungerer bra.



Les bruksanvisningen.  
Les hele bruksanvisningen og forsøk å forstå maskinens arbeidsprosedyre.



Bruk vernebrille.  
Beskytt øynene mot flygende flis, bruk vernebrille eller visir.



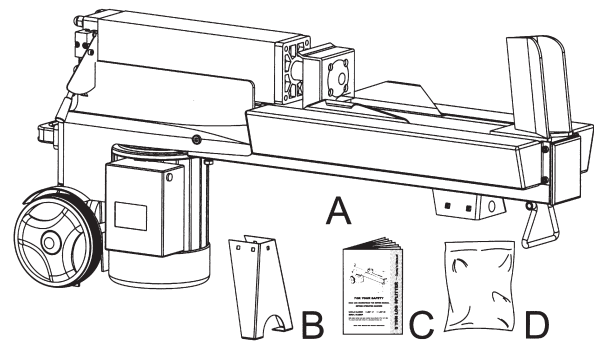
Bruk hansker.



Bruk vernesko.  
Bruk vernesko med tåhette som beskytter mot fallende gjenstander.

## Forpakningen inneholder

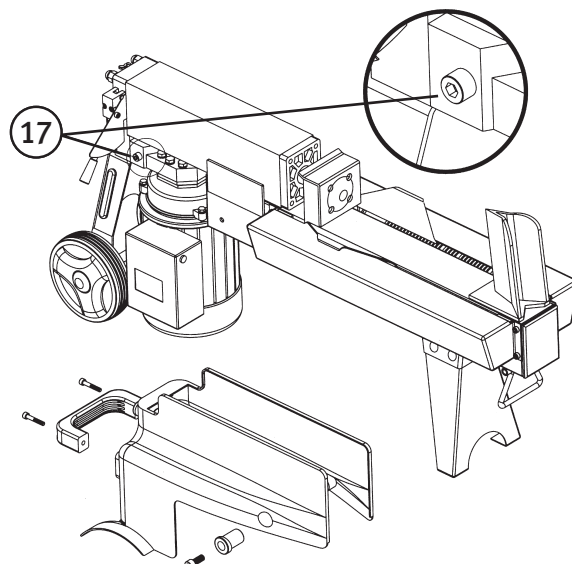
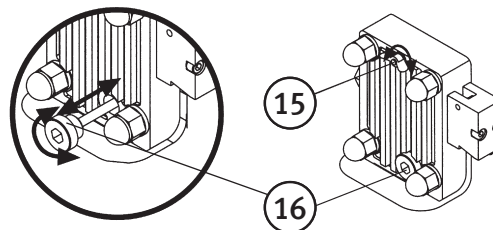
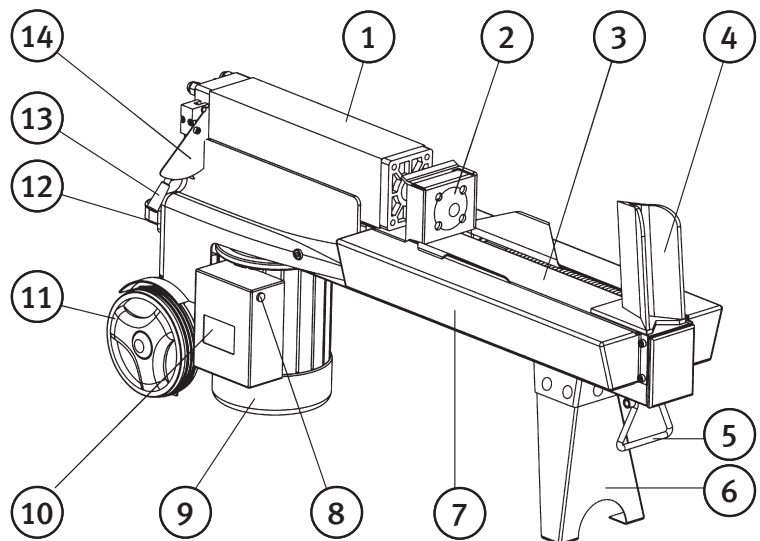
- A. Vedkløyver
- B. Støtteben
- C. Bruksanvisning
- D. Pose med bolter til støtteben (M8) og slaglengdebegrenser



## Produktbeskrivelse

### Komponenter

- 1. Oljetank
- 2. Trykkplate
- 3. Arbeidsbord med sidestøtte
- 4. Kløyvekniv
- 5. Løft-/drahåndtak
- 6. Støtteben
- 7. Deksel over returfjær
- 8. Strømbryter
- 9. Motor
- 10. Strømbryterboks
- 11. Hjul for kortere forflytting
- 12. Løftehåndtak
- 13. Manøverspak
- 14. Deksel for manøverspak
- 15. Lufteskruer
- 16. Oljeplugg med stikke
- 17. Trykkbegrensningsventil (under kåpen)
- 18. Stempelstyring (se neste side)
- 19. Slaglengdebegrenser (se neste side)
- 20. Låsepinne (se neste side)



## Montering

Montér støttebenet med de medfølgende bolter.

# Forberedelser

1. Plassér kløyveren på en plan, stabil arbeidsplass med passende arbeidshøyde.
2. Justér kløyvelengde (se under).
3. Tilkoble nettkabelen til uttaket, helst via jordfeilbryter. Legg kabelen så den ikke skades under arbeidet.
4. Skru ut lufteskruen (15) 3–4 omdreininger så en merkbar luftstrøm kan kjønes under drift.

## Bruk

### Justering av kløyvelengde

Vedkløyveren er beregnet for kubber med maks. lengde 52 cm.

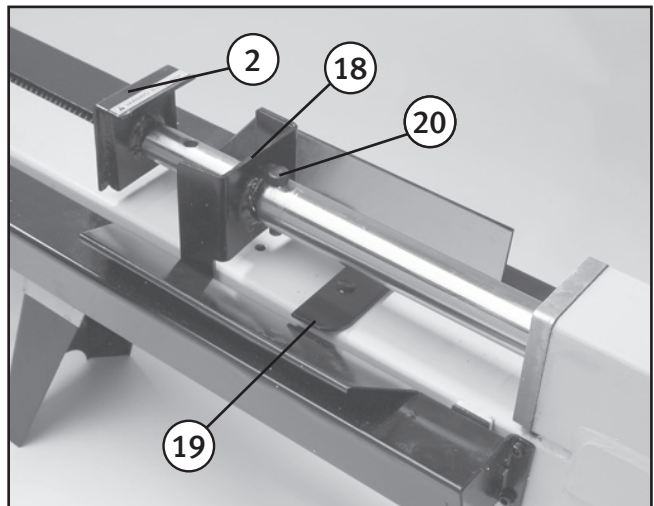
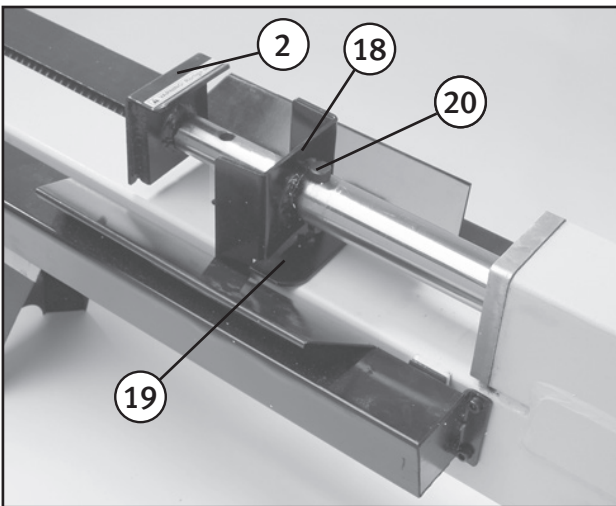
1. Ta bort låsepinnen på stempelstangen bak trykkplaten.
2. Dra trykkplaten frem mot kløyvekniven til noen av hullene i indre og ytre stempelstang ligger midt mot hverandre.
3. Sett tilbake låsepinnen.
4. For kortere kubber benyttes slaglengdebegrenser\* (se under) for å forkorte stempelstangens bevegelsesområde og gi hurtigere arbeidsmoment.

\* Slaglengdebegrenseren er en løstagbar stopp som hindrer stempelstyringens returbevegelse. Brukes kun ved korte kubber.

1. Trykk inn strømbryter og manøverspak og la stampelet gå til sin ytre posisjon, slipp strømbryteren, men hold fortsatt manøverspaken.
2. Plassér slaglengdebegrenserens tapp i ett av hullene i arbeidsbordet.
3. Slipp manøverspaken så stempelstyringen (18) stoppes av slaglengdebegrenseren (19).
4. Justér kløyvelengde ved å endre stempelstangens lengde ved hjelp av de to hullene.

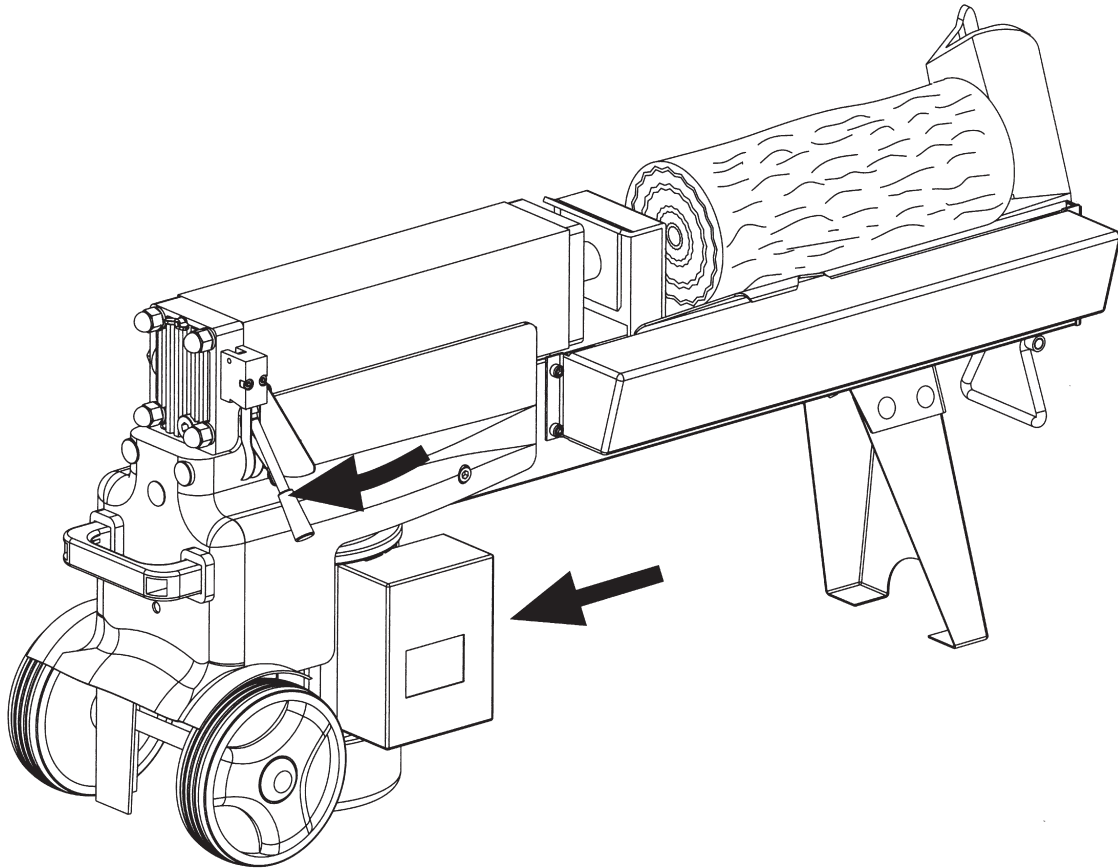
#### Obs!

- Kjør aldri med slaglengdebegrenseren (19) foran trykkplaten (2), den skal alltid være bak eller fjernes.
- Kjør aldri kløyveren uten trykkplaten (2) montert og fiksert med tilhørende låsepinne (20).



## Å arbeide med vedkløyveren

1. Legg alltid den minst kvistholdige siden av kubben mot kløyvekniven, kløyv alltid i fiberretningen.
2. Plassér kubben så den ligger stabilt, bruk arbeidsbordets sidestøtte som hjelp.
3. Start motoren ved å trykke inn og holde strømbryteren.
4. Start hydraulikken ved å felle ned manøverspaken.
5. Trykkplaten på stempelstangen presser nå kubben mot kløyvekniven.
6. Slipp manøverspak og strømbryter for å avslutte kløyvingen, returfjæren drar nå stempelstangen tilbake.

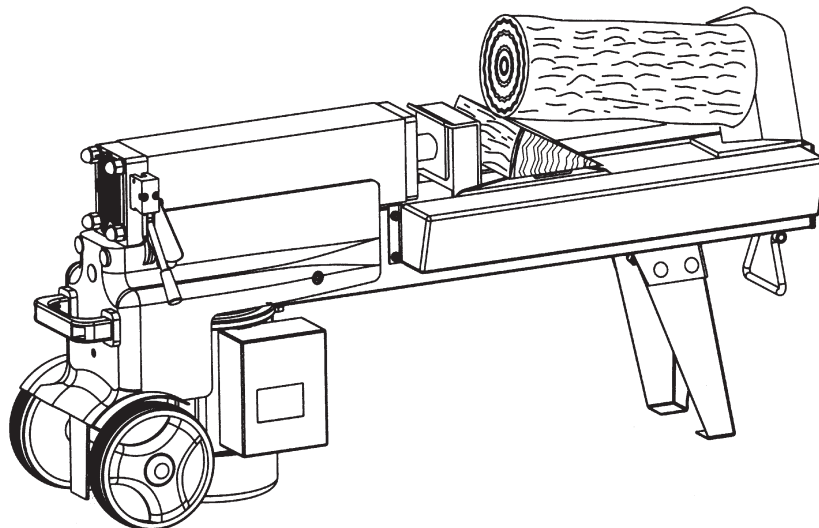


### Obs!

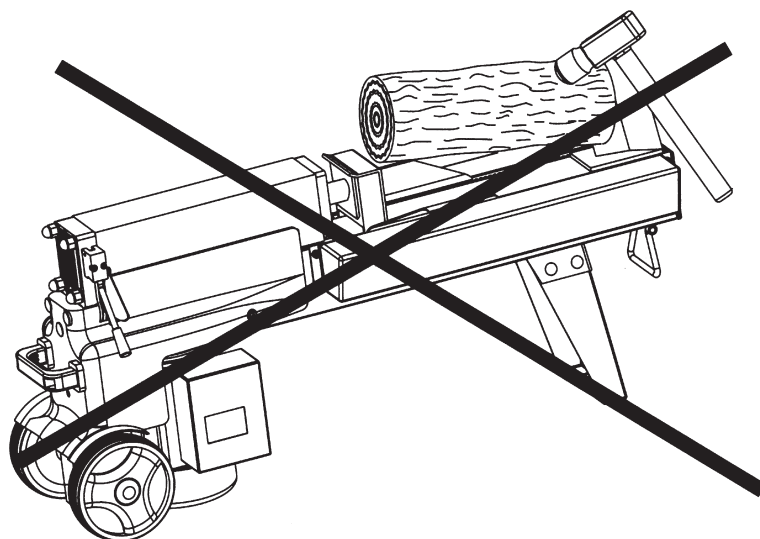
- Om kubben ikke begynner å kløyves innen 5 sekunder tross fullt trykk; slipp manøverspak og strømbryter og la trykkplaten returnere, snu kubben 90° eller vend den og prøv igjen.
- Steng lufteskruen (13) under transport og lagring av maskinen, da oljen kan lekke ut. Ved lengre lagring med åpen lufteskruen absorberer oljen den fukt som finnes i luften og dette kan føre til at hydraulikksystemet ruster innvendig.

## Om kubben setter seg fast

- Avslutt kløyvingen.
- Når trykkplaten har returnert til utgangspunktet; legg en trekile under den fastlåste kubben.
- Start kløyveren og trykk kilen inn ved hjelp av trykkplaten.
- Gjenta med en større kile ved behov.



**Obs!** Forsøk aldri å hugge løs en kubbe som ligger i spenn, den kan splittes med høy kraft som igjen kan lede til alvorlig personskade eller skade på kløyveren.

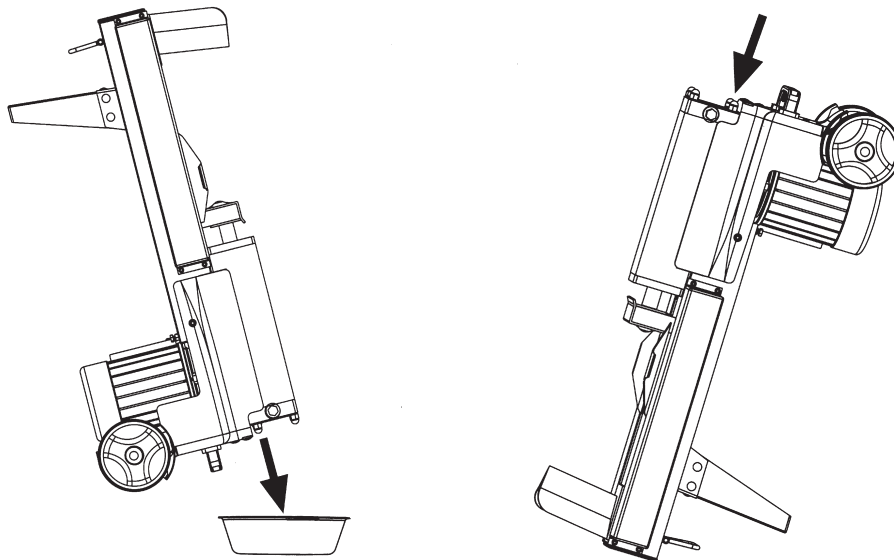


# Vedlikehold

## Bytte av hydraulikkolje

Med jevne mellomrom (ca. 150 driftstimer) skal hydraulikkoljen byttes som følger:

1. Se etter at trykkplaten er i utgangsposisjon og trekk ut strømkabelen.
2. Skru ut oljepluggen (16).
3. Snu deretter kløyveren så motorsiden vender opp over et oppsamlingskar med minst 4 liter volum og vent til all olje er rent ut.
4. Løft i drahåndtaket og snu kløyveren oppover og fyll på ny olje av god kvalitet (ca. 2,4 liter).
5. Tørk ren oljepinnen og putt den i tanken med kløyveren i vertikal stilling, dra ut oljepinnen og les av. Oljenivået skal ligge mellom de to markeringene på pinnen.
6. Gjør ren oljepluggen og skru den godt fast så oljen ikke lekker ut.
7. Kontrollér oljenivået regelmessig og etterfyll ved behov.



## Hold kløyvekniven skarp

Hold kniven skarp ved å regelmessig file bort gradene på eggen med en fintannet fil.

## Øvrig vedlikehold

- Trekk alltid ut strømkabelens støpsel før vedlikehold påbegynnes.
- Kontrollér at strømkabel, kontakter og strømbryter er i god stand og uten skader.
- Rengjør kløyverens alle deler med børste og tørre kluter.
- Oppbevar maskinen i et tørt, rent og ikke korrosivt miljø, utenfor rekkevidde for barn. Påse at lagringstemperaturen ikke understiger  $-25^{\circ}\text{C}$ .
- Rengjør returfjærene under arbeidsbordet med en trepinne eller blås med trykkluft.

## Avfallshåndtering

Når du skal kvitte deg med produktet, skal dette skje i henhold til lokale forskrifter. Er du usikker på hvordan du går fram, ta kontakt med lokale myndigheter.





# Feilsøking

Problem	Mulig årsak	Utbedring
Mislykket kløyving.	Kubben er feilplassert.	Snu eller rotér kubben.
	Kubbens hardhet eller diameter er for stor.	Forsøk å kløyve en mindre del eller redusér størrelsen på en annen måte.
	Kløyvekniven er sløv eller skadet.	Skjerp kniven.
	Kraftløs.	Kontrollér oljenivået samt at lufteskruen er åpnet 3–4 omdreininger. For øvrig kontakt forhandleren.
Trykkplaten beveger seg rykket.	For lavt oljenivå, luft har kommet inn i hydraulikksystemet.	Kontrollér oljenivået og etterfyll ved behov, kontrollér om lekkasje har oppstått. Kontrollér om lufteskruen er åpnet 3–4 omdreininger.
Oljелеkasje.	Pakning ved oljeplugg slitt eller ikke tilstrekkelig tilskrudd.	Bytt pakning eller trekk til pluggen.
	For mye olje i tanken som da kommer ut via lufteskruen under kløyving.	Kontroller oljenivået og justér ved behov.
	Overtrykk dannes inne i kløyverens tank ved kløyving.	Åpne lufteskruen 3–4 omdreininger.
	Lufteskruen åpen under transport av kløyveren.	Steng lufteskruen.

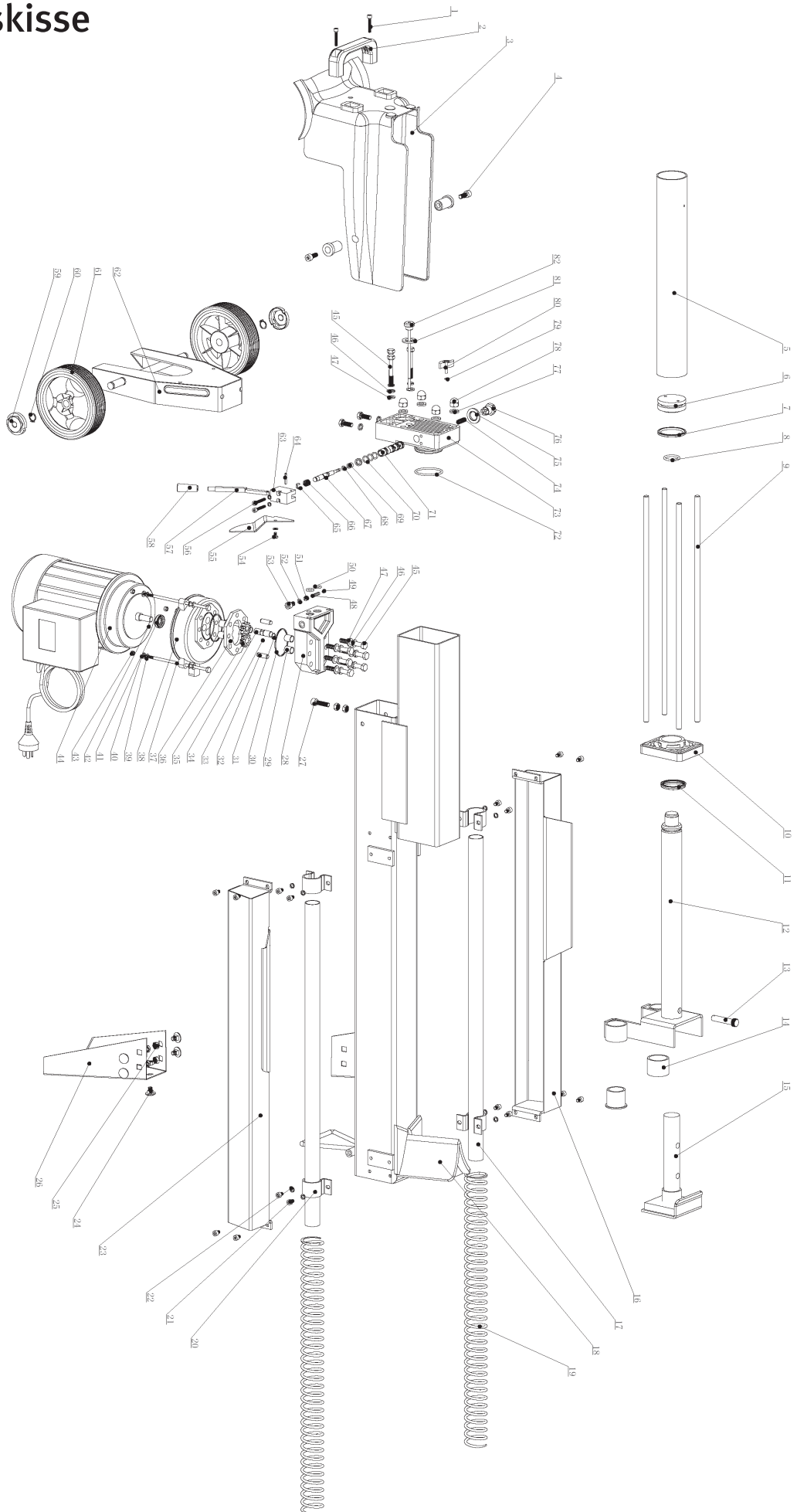
## Teknisk spesifikasjon

<b>Modellbetegnelse</b>	LS5T-52
<b>Motor</b>	230 V AC, 50 Hz
<b>Effekt</b>	1500W
<b>Kapslingsklasse</b>	IP54
<b>Kløyvekapasitet:*</b>	Ø 5–25 cm, lengde 52 cm
<b>Anbef. driftstemperatur</b>	+5 til –40° C
<b>Kløyvekraft</b>	5 tonn
<b>Hydraulisk trykk</b>	20 Mpa
<b>Hydraulikkoljevolum</b>	2,4 liter
<b>Dimensjoner</b>	Lengde 122 cm Bredde 25 cm Høyde 48 cm
<b>Vekt</b>	50 kg

\* Oppgitte verdier er retningsgivende, kapasitet avhenger av kubbens hardhet, diameter og kvistgrad.

# Sprengskisse

NORSK



Nr	Benevning	Antall
1	Skrue M6X15	2
2	Håndtak	1
3	Kåpe	1
4	Skrue M8X20	4
5	Sylinder	1
6	Stempel	1
7	Stempeltetting	1
8	O-ring	1
9	Trekkstang	4
10	Fremre gavl	1
11	Stempeltetting	1
12	Stempelstang	1
13	Låsepinne	1
14	Styring	2
15	Trykkplate med lengdeinnstilling	1
16	Fjærbeskyttelse/kubbestøtte (venstre)	1
17	Styring	2
18	Kløyvekniv	1
19	Returfjær	2
20	Feste	4
21	Skrue M6X10	16
22	Fjærskive M6	8
23	Fjærbeskyttelse/kubbestøtte (høyre)	1
24	Bolt M8X12	5
25	Mutter M8	7
26	Støtteben	1
27	Bolt M8X30	1
28	Pumpegavl	1
29	Glidelagerbussing	4
30	O-ring	2
31	Låsering	2
32	Pinne B8X24	2
33	Stålkule 2.5	1
34	Aksel	1
35	Pumpehjul	2
36	Pumpehus	1
37	Bolt M5X85	3
38	Gavl motor/pumpe	1
39	Skive	4
40	Fjærskive M5	4
41	Tetting	1

Nr	Benevning	Antall
42	Krysskile	1
43	Mutter M5	3
44	Motor med strømbryter	1
45	Bolt M8X30	6
46	Fjærskive M8	11
47	Skive M8	9
48	Fjær til overtrykksventil	1
49	Stålkule 6	1
50	O-ring	2
51	Justeringskrue til overtrykksventil	1
52	O-ring	1
53	Skrue	1
54	Bolt M5X8	1
55	Deksel til manøverspak	1
56	Skrue M6X35	2
57	Manøverspak	1
58	Knott	1
59	Navkapsel	2
60	Låsering	2
61	Hjul	2
62	Hjulkonsoll	1
63	Manøverspak komplett	1
64	Rørsplint	1
65	Låsering	1
66	Fjær	1
67	Ventilstempel	1
68	O-ring	1
69	Mansjett	1
70	O-ring	5
71	Ventilsylinder	1
72	O-ring	1
73	Gavl bakre	1
74	Fjær	1
75	O-ring	1
76	Plugg	1
77	Skive	4
78	Hettemutter	4
79	O-ring	1
80	Luffteskrue	1
81	Pakning	1
82	Oljepinne/oljeplugg	1

# Hydraulihalkoja

TUOTENRO 18-3018  
30-8710

MALLI LS5T-52-UK  
LS5T-52

Lue käyttöohjeet ennen tuotteen käyttöönottoa. Säilytä käyttöohjeet tulevaa tarvetta varten. Pidätämme oikeuden teknisten tietojen muutoksiin. Emme vastaa mahdollisista teksti- tai kuvavirheistä. Jos laitteeseen tulee teknisiä ongelmia, ota yhteys myymälään tai asiakaspalveluun (yhteystiedot käyttöohjeen lopussa).

**Varoitus!** Vältä tulipalot, sähköiskut ja loukkaantumiset ja noudata aina seuraavia ohjeita, kun käytät sähkökäyttöisiä käsityökaluja.

**Poista aina pistoke pistorasiasta ennen koneen huoltoa ja säätöä.**

## Yleisiä turvallisuusohjeita

- 1. Pidä työtilat siisteinä.**  
Täynnä tavaraa olevat työtasot ovat avoin kutsu onnettomuudelle.
- 2. Älä käytä konetta vaarallisessa ympäristössä.**  
Sähkökäyttöisiä koneita ei saa käyttää kosteissa ja märissä tiloissa eikä sateella. Huolehdi työpisteen riittävästä valaistuksesta. Huolehdi myös pölynpoistosta. Älä käytä sähkökäyttöisiä työkaluja paikoissa, joissa on tulipalon tai räjähdyksen vaara!
- 3. Vältä sähköiskuja.**  
Vältä kontaktia maadoitettuihin esineisiin, kuten vesijohtoihin, lämpöpattereihin, lieteen ym. työskennellessäsi sähkötyökalulla.
- 4. Pidä lapset ja vierailijat loitolla.**  
Heidän tulee olla riittävän kaukana työpisteestä.
- 5. Säilytä laite poissa lasten ulottuvilta.**
- 6. Älä pakota konetta.**  
Anna koneen työskennellä puolestasi oikealla nopeudella.
- 7. Käytä oikeita työkaluja.**  
Älä pakota konetta tai lisälaitetta työtehtävään, johon laite ei sovellu.
- 8. Käytä sopivia vaatteita.**  
Älä käytä löysiä vaatteita, käsineitä, kaulaketjuja, sormuksia, rannerengasta tai muita koruja, jotka voivat tarttua liikkuviin osiin. Liukuestekengät lisäävät turvallisuutta. Pitkät hiukset tulee suojata hiusverkolla tai vastaavalla.
- 9. Käytä aina suojalaseja.**  
Käytä aina suojalaseja, tavalliset silmälasit eivät anna riittävä suojaa! Käytä myös hengityssuojainta ja suojanaamaria, jos pölyä on paljon.
- 10. Käytä pölynpoistoa.**  
Käytä pölynpoistoa pölyn ja lastujen imemiseen, mikäli laitteessa on tämä toiminto. Käytä välineitä oikealla tavalla ja tyhjä ne säännöllisesti.
- 11. Käsittele sähköjohtoa varoen.**  
Älä kanna konetta johdosta. Kun irrotat pistokkeen, vedä pistokkeesta, älä johdosta. Johtoa ei saa altistaa kuumuudelle, öljylle tai teräville esineille.
- 12. Kiinnitä materiaali kunnolla.**  
Käytä esim. ruuvipuristinta, mikäli mahdollista. Näin kätesi jäävät vapaaksi, ja voit työskennellä molemmin käsin. Tämä on turvallisempaa kuin työkappaleesta kiinni pitäminen.
- 13. Älä kurota liian kauas.**  
Varmista, että työasentosi on tasapainoinen työn jokaisessa vaiheessa.
- 14. Pidä työvälineet kunnossa.**  
Varmista työvälineiden puhtaus ja terien terävyys. Näin työskentely on turvallisempaa ja tehokkaampaa ja lopputulos parempi. Noudata voiteluohjeita ja varusteiden vaihtamisesta annettuja ohjeita. Tarkista virtajohto säännöllisesti. Anna sähkömiehen vaihtaa vioittunut virtajohto. Tarkista johdot säännöllisesti ja varmista että ne ovat kunnossa. Varmista, että työkalun kahvat, säätimet ym. ovat puhtaita, ja että niissä ei ole öljyä ym.

15. **Katkaise virta.**  
Irrota pistoke ja paina hätäkatkaisinta ennen huoltoa ja laitteiden vaihtoa, esim. höylän terät, poranterät, hiomanauhut ja terät.
16. **Poista kaikki avaimet ja työkalut.**  
Ota tavaksesi poistaa ne koneesta ennen virran kytkemistä.
17. **Vältä tahatonta käynnistystä.**  
Konetta kannettaessa sormi ei saa olla virtakytkimellä/liipaisimella johdon ollessa seinässä. Kun pistoke liitetään pistorasiaan, tulee virtakytkimen olla OFF-asennossa.
18. **Käytä oikeita jatkojohtoja.**  
Käytä ulkona ainoastaan ulkokäyttöön tarkoitettuja jatkojohtoja. Jatkojohdon johtimen pinta-alan tulee olla riittävä. Kierrä koko johto auki.
19. **Käytä tervettä järkeä ja ole varovainen.**  
Suunnittele työvaiheet etukäteen, niin työ sujuu turvallisemmin! Älä käytä laitetta väsyneenä, lääkkeiden vaikutuksen alaisena jne.
20. **Varmista, että osat ovat kunnossa.**  
Varmista ennen koneen käynnistämistä, että kaikki suojat ja muut osat ovat kunnossa ja toimivat moitteettomasti. Huolehdi siitä, että liikkuvat osat liikkuvat vapaasti ja että ne on suunnattu oikein, eivätkä jää kiinni. Tarkista myös, ettei koneessa ole muita vikoja tai työskentelyyn vaikuttavia seikkoja. Ainoastaan ammattilainen saa vaihtaa tai korjata vioittuneet suojat ja muut osat. johdot ja virtakytkimet. Älä käytä työkalua, mikäli et voi käynnistää ja sammuttaa sitä turvallisesti.
21. **Käytä suositeltuja lisälaitteita.**  
Muiden kuin suositeltujen lisälaitteiden käyttö saattaa johtaa onnettomuuksiin tai henkilövahinkoihin.
22. **Korjauksen saa suorittaa ainoastaan ammattihenkilö.**  
Laitte on voimassa olevien turvallisuusvaatimusten mukainen. Laitteen saa korjata vain ammattilainen. Korjauksessa tulee turvallisuussyistä käyttää ainoastaan alkuperäisosia.
23. **Sähkötyökalut tulee turvallisuussyistä liittää vikavirtasuojakytkimen kautta.**  
Tuotteeseen ei saa tehdä muutoksia, eikä sitä saa käyttää muihin, kuin sille tarkoitettuihin työtehtäviin. Varmista säännöllisesti, että ruuvit ja mutterit ovat kireällä.

## Halkomakoneen turvallisuusohjeita

- Säilytä ohjeet ja varmista, että ne ovat laitteen mukana esim. silloin, kun lainaat sitä muille.
- Lue laitteen varoituskilvet ja pidä huolta siitä, että ne ovat aina luettavissa.
- Varmista, että pistorasian jännite on oikea (230 V), ennen kuin liität halkojan verkkovirtaan.
- Älä muuta paineasetuksia. Tehdasasetuksen maksimipaine on 5 tonnia. Virheelliset asetukset voivat johtaa vakaviin henkilö- ja konevahinkoihin tai vajavaiseen toimintaan.
- Käytä suojalaseja, kuulosuojaimia ja tarvittaessa teräsvahvisteisia kenkiä.
- Varmista aina, että työasentosi on tasapainoinen työn jokaisessa vaiheessa. Tartu virtakytkimeen ja vipuun molemmin käsin.
- Pidä kädet ja sormet kaukana vastinlevystä ja halkaisuterästä. Ole varovainen käsitellessäsi konetta ja käytä tervettä järkeä.
- Varmista, että koneen lähettyvillä ei ole ihmisiä tai eläimiä. Työskentelyn aikana koneesta saattaa sinkoutua teräviä puunpalasia.
- Poista aina pistoke pistorasiasta ennen laitteen huoltoa ja työtaukojen ajaksi. Varmista, että lapset eivät onnistu käynnistämään konetta.
- Liitä hydraulihalkoja pistorasiaan varmuuden vuoksi vikavirtasuojakytkimen kautta!
- Halkojaa ei saa käyttää sateessa tai erittäin kosteassa ilmatilassa.
- Älä koskaan käytä laitetta silloin, kun sähköjohto, katkaisija tai jokin muu osa on vaurioitunut. Vika on korjautettava asiantuntijalla.
- Pidä työtilat puhtaana ja varmista, että sähkömoottorin jäähdytys toimii moitteetta. Poista mahdolliset jäähdytyslaippoja tai ilmanottoaukkoja tukkivat roskat.
- **Huom!** Avaa ilmaventtiilin ruuvia (15) 3–4 kierrosta, kunnes voit tuntea ilmavirran käytön aikana, muussa tapauksessa hydraulijärjestelmän tiivisteet vioittuvat mikä johtaa hydraulihalkojan vioittumiseen.
- Varmista ennen käyttöä, että vetotankojen mutterit ovat tiukasti kiinni, muuten hydraulihalkoja saattaa vioittua.

# Tuotteen merkinnät ja turvallisuussymbolit



**Varoitus!** Puristumisvaara. Ole tarkkana ja pidä kädet poissa liikkuvista osista koko halkaisun ajan.



**Varoitus!** Puristumisvaara kun irrotat juuttuneen halon. Älä poista käsin, vaan käytä työkalua.



**Varoitus!** Puristumisvaara. Tarkkaile vastinlevyn liikkumista.



Koneen turva-alueella ei saa oleskella kukaan muu kuin koneen käyttäjä.  
Älä päästä lapsia, eläimiä tai muita henkilöitä laitteen lähelle!



Sammuta laite ja irrota virtajohdon pistoke pistorasiasta ennen puhdistusta ja huoltoa sekä silloin, kun laitetta ei käytetä!



Huolehdi ympäristöstäsi ja kierrätä jäteöljyt sääntöjen mukaisesti.



Varmista ennen käyttöä, että laite ei ole vioittunut. Kiinnitä erityistä huomiota virtajohdon kuntoon, mahdollisiin löysiin ruuveihin ja muttereihin sekä ohjausvivun toimintaan.



Lue käyttöohje!  
Lue koko käyttöohje ja varmista, että olet ymmärtänyt koneen toimintatavan.



Käytä suojalaseja!  
Suojaa silmät lentäviltä palasilta, käytä visiiriä tai suojalaseja.



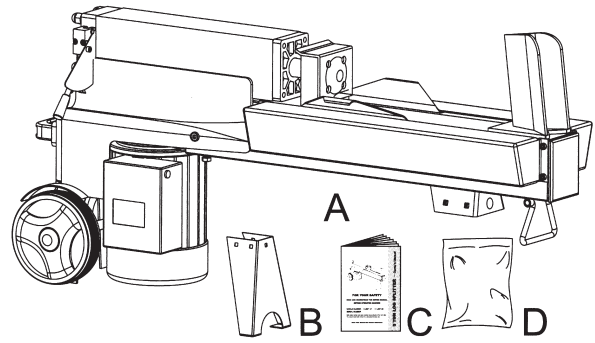
Käytä hanskoja!



Käytä turvakengkiä!  
Käytä turvakengkiä, joissa on teräsvahvistettu kärki. Ne suojaavat putoavilta esineiltä.

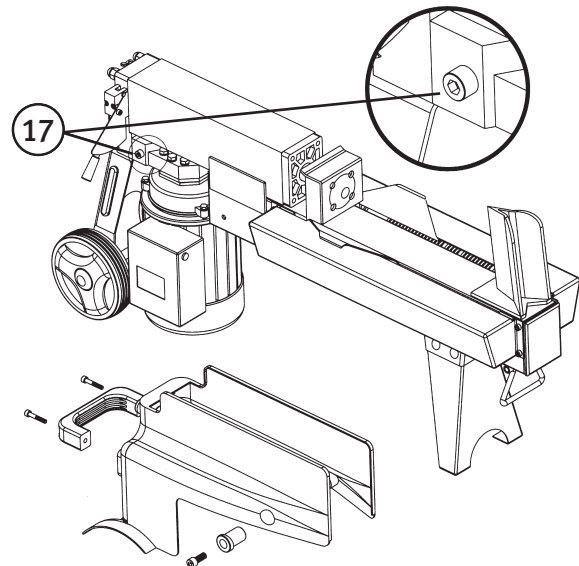
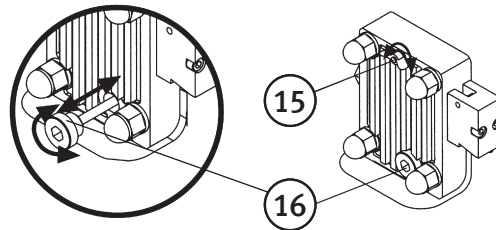
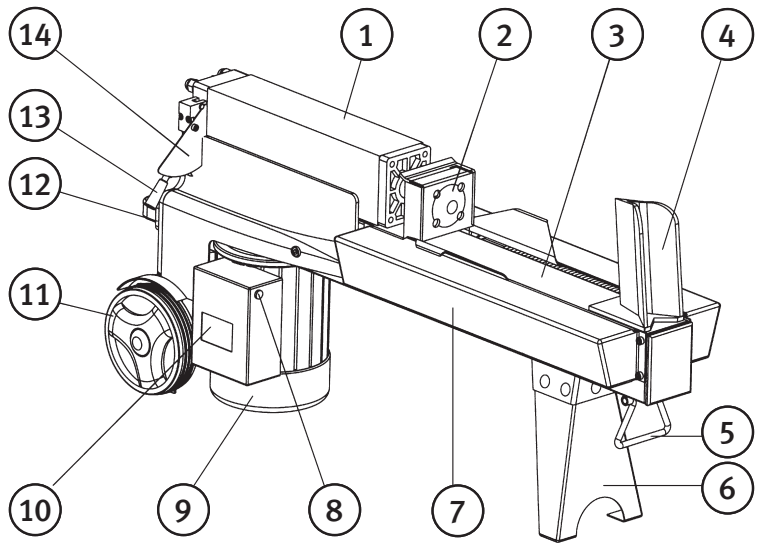
# Pakkauksen sisältö

- A. Hydraulihalkoja
- B. Tukijalka
- C. Käyttöohje
- D. Pussillinen pultteja tukijalalle (M8) ja iskunpituuden rajoitin



# Tuotekuvaus

- 1. Öljysäiliö
- 2. Vastinlevy
- 3. Työskentelytaso sivutuella
- 4. Rakoveitsi
- 5. Nosto-/vetokahva
- 6. Tukijalka
- 7. Palautusjousen suoja
- 8. Virtakytkin
- 9. Moottori
- 10. Virtakytkimen rasia
- 11. Pyörät pienempiä siirtoja varten
- 12. Nostokahva
- 13. Ohjausvipu
- 14. Ohjausvivun suoja
- 15. Ilmaventtiili
- 16. Öljytulppa ja öljytikku
- 17. Paineensäätöventtiili (kuvun alla)
- 18. Männän ohjaus (katso seuraava sivu)
- 19. Iskunpituuden rajoitin (katso seuraava sivu)
- 20. Lukkotappi (katso seuraava sivu)



# Asennus

Asenna tukijalka pakkauksen sisältämillä pultteilla.

# Esivalmistelut

1. Sijoita halkoja tasaiselle ja tukevalle alustalle sopivalle työkorkeudelle.
2. Säädä toivottu pilkepituus (ks. alla).
3. Liitä virtajohto pistorasiaan, vikavirtasuojakytkimen käyttö lisää turvallisuutta. Vedä johto niin, että se ei vahingoitu työskennellessä.
4. Irrota ilmaventtiilin ruuvia (15) 3–4 kierrosta, kunnes voit tuntea ilmavirran käytön aikana.

## Käyttö

### Pilkepituuden säätö

Halkoja on suunniteltu jopa 52 cm:n rankojen halontaan.

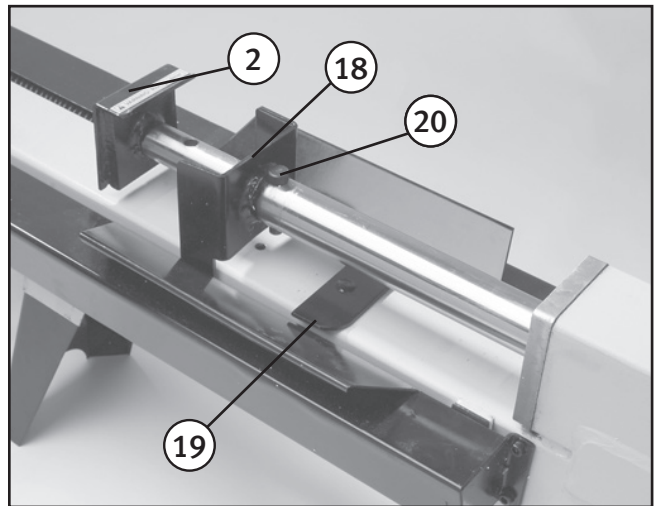
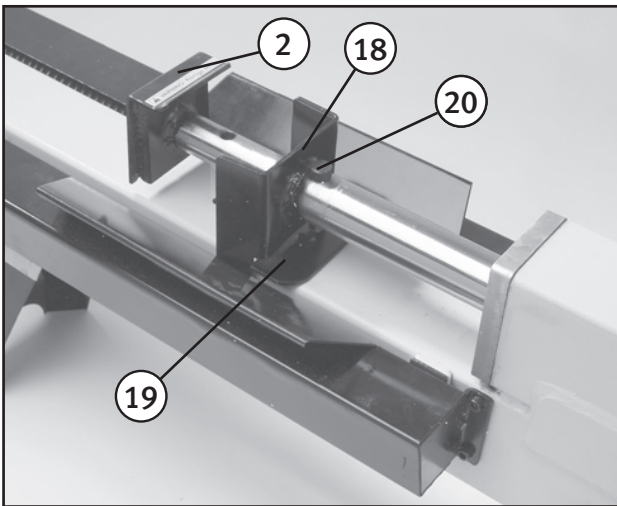
1. Poista männänvarren lukkotappi vastinlevyn takaa.
2. Työnnä vastinlevyä terää kohden kunnes sisäisen ja ulkoisen männänvarren reiät ovat toistensa kohdalla.
3. Laita lukkotappi paikoilleen.
4. Voit lyhentää männänvarren liikerataa ja nopeuttaa työtä iskunpituuden rajoittimen\* avulla (ks. alla).

\* Iskunpituuden rajoitin on irrotettava esto, joka estää männänohjauksen paluuliikkeen. Käytä sitä ainoastaan lyhyiden puiden halontaan:

1. Paina virtakytkin ja vipu alas ja anna männän mennä äärimmäiseen asentoon. Päästä kytkin, mutta pidä vipu alhaalla.
2. Sijoita iskunpituuden rajoittimen tappi yhteen työtason rei'istä.
3. Päästä vipu ja anna pituudenrajoittimen (19) pysäyttää männänohjain (18).
4. Voit säätää halkaisupituutta muuttamalla männänvarren pituutta kohdistamalla reiät toisiin.

#### Huom.!

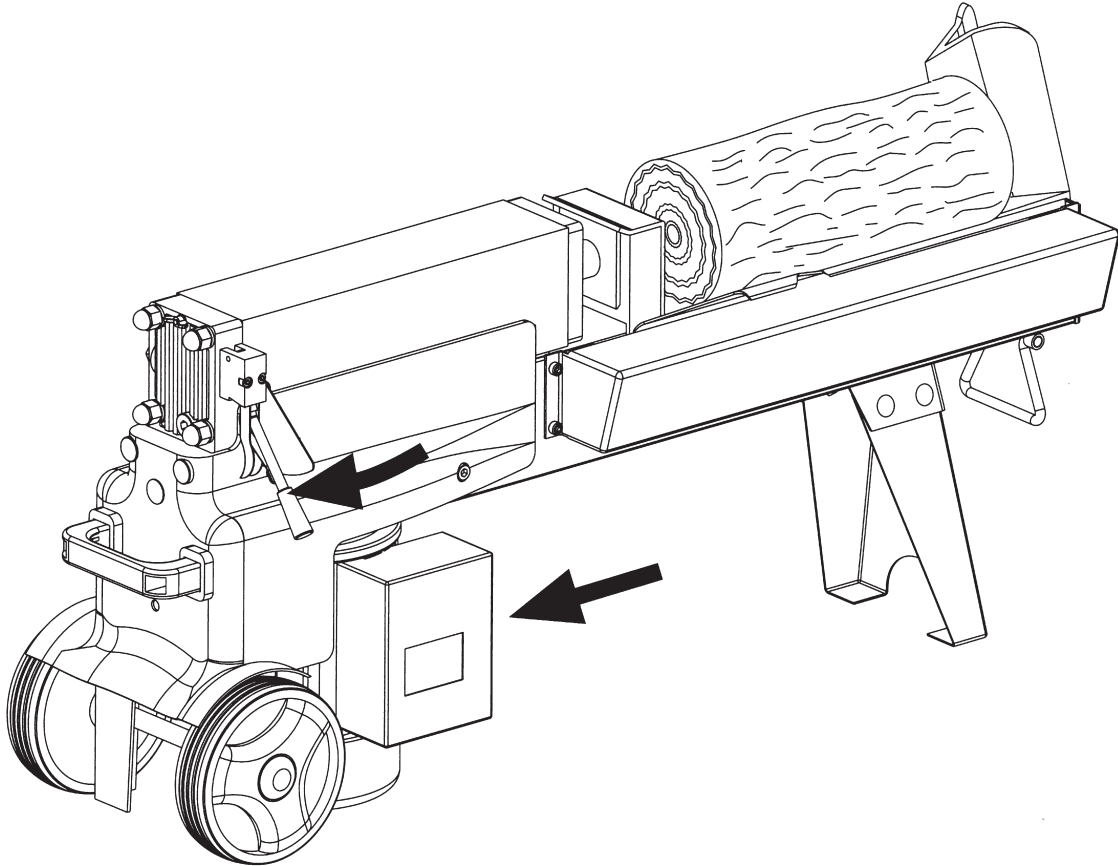
- Älä koskaan käytä konetta niin, että iskunpituuden rajoitin (19) on vastinlevyn (2) etupuolella. Sen on aina oltava männänohjaimen (18) takana tai kokonaan poistettu.
- Älä koskaan käytä konetta ilman, että vastinlevy (2) on kiinnitetty mukana tulevalla lukkotapilla (20).





## Hydrauli halkojan käyttö

1. Laita aina puun vähiten oksainen puoli terää vasten. Pilko aina puun syiden mukaisesti.
2. Sijoita ranka tukevasti. Käytä apunasi työskentelytason sivutukea.
3. Käynnistä moottori painamalla virtakytkintä ja pitämällä sitä pohjassa.
4. Käynnistä hydraulikka painamalla vipu alas.
5. Vastinlevy työntää rankaa terää vasten.
6. Päästä ohjausvipu ja virtakatkaisin, kun lopetat halonnan. Palautusjousi vetää männänvarren paikoilleen.

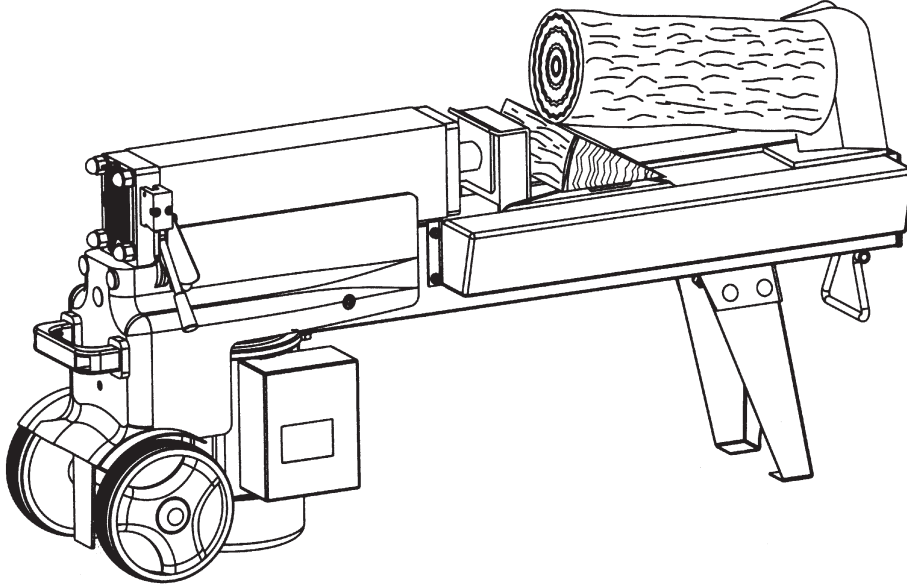


### Huom.!

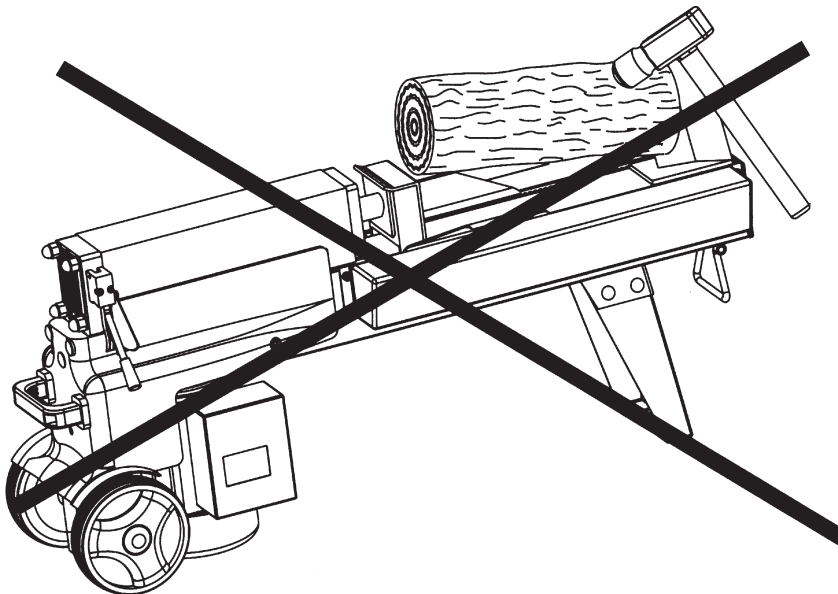
- Päästä vipu ja virtakytkin ja anna vastinlevyn palautua, mikäli kone ei halkaise rankaa 5 sekunnin kuluessa. Yritä uudestaan käännettyäsi rankaa 90° tai syöttämällä rangan vastakkaista päätä.
- Sulje ilmaventtiili (15) aina kun kuljetat konetta tai pidät sitä varastossa. Öljy saattaa muutoin vuotaa. Mikäli venttiili on auki pitkään saattaa öljy imeä ilmankosteutta. Tällöin hydraulikkajärjestelmä ruostuu sisäisesti.

## Rangan jumituessa

- Keskeytä halonta.
- Sijoita puinen kiila jumiutuneen rangan alle, kun vastinlevy on palautunut lähtöasentoon.
- Käynnistä halkoja ja työnnä kiilaa eteenpäin vastinlevyn avulla.
- Toista tarvittaessa isommalla kiilalla.



Huom.! Älä yritä irrottaa jumiutunutta rankaa lyömällä. Ranka saattaa hajjeta suurella voimalla ja aiheuttaa henkilö- ja laitevahinkoja.

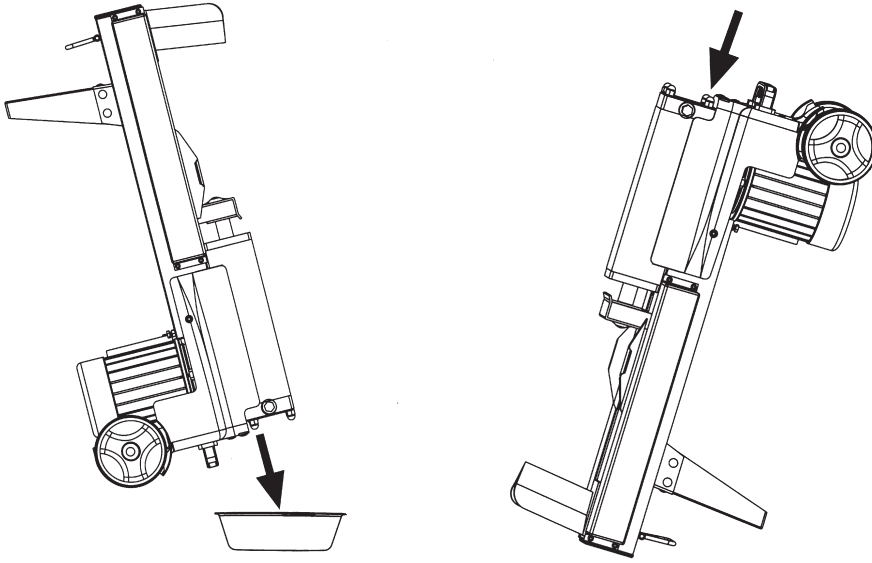


# Huolto

## Hydrauliöljyn vaihto

Öljy on vaihdettava säännöllisin väliajoin (noin 150 käyttötunnin jälkeen) seuraavasti:

1. Varmista, että vastinlevy on alkutilassa. Poista pistoke pistorasiasta.
2. Irrota öljytulppa.
3. Kumoa halkoja vähintään 4 litran astian ylle niin, että terä osoittaa ylöspäin. Odota, kunnes öljysäiliö on tyhjä.
4. Käännä halkoja oikein päin ja kaada uutta, laadukasta hydrauliöljyä (n. 2,4 litraa) säiliöön.
5. Puhdista öljytikku ja työnnä se säiliöön halkojan ollessa pystyasennossa. Vedä öljytikku ulos ja tarkista öljyn määrä. Öljyn rajan on osuttava kahden merkinnän välille.
6. Puhdista öljytulppa ja kiinnitä se kunnolla niin, että öljyä ei pääse valumaan pois.
7. Tarkista öljyn määrä säännöllisesti, lisää tarvittaessa.



## Terän (rakoveitsen) teroitus

Pidä terä terävänä hiomalla terän urat sileiksi hienolla metalliviilalla.

## Muu huolto

- Vedä aina virtajohtoon pistoke pistorasiasta ennen huoltoa ja säätöä.
- Varmista, että virtajohto, pistoke ja virtakytkin ovat hyväkuntoiset ja vahingoittumattomat.
- Puhdista halkojen kaikki osat harjalla ja kuivalla liinalla.
- Säilytä laite kuivassa, puhtaassa ympäristössä suojassa syövyttäviltä aineilta sekä lasten ulottumattomissa. Älä säilytä laitetta alle  $-25\text{ }^{\circ}\text{C}$ :een lämpötilassa.
- Varmista, että kaikki mutterit ovat kiinni.

## Kierrätys

Kierrätä tuote asianmukaisesti, kun poistat sen käytöstä. Ota yhteys kuntasi jäteneuvontaan, mikäli olet epävarma.



## Vianetsintä

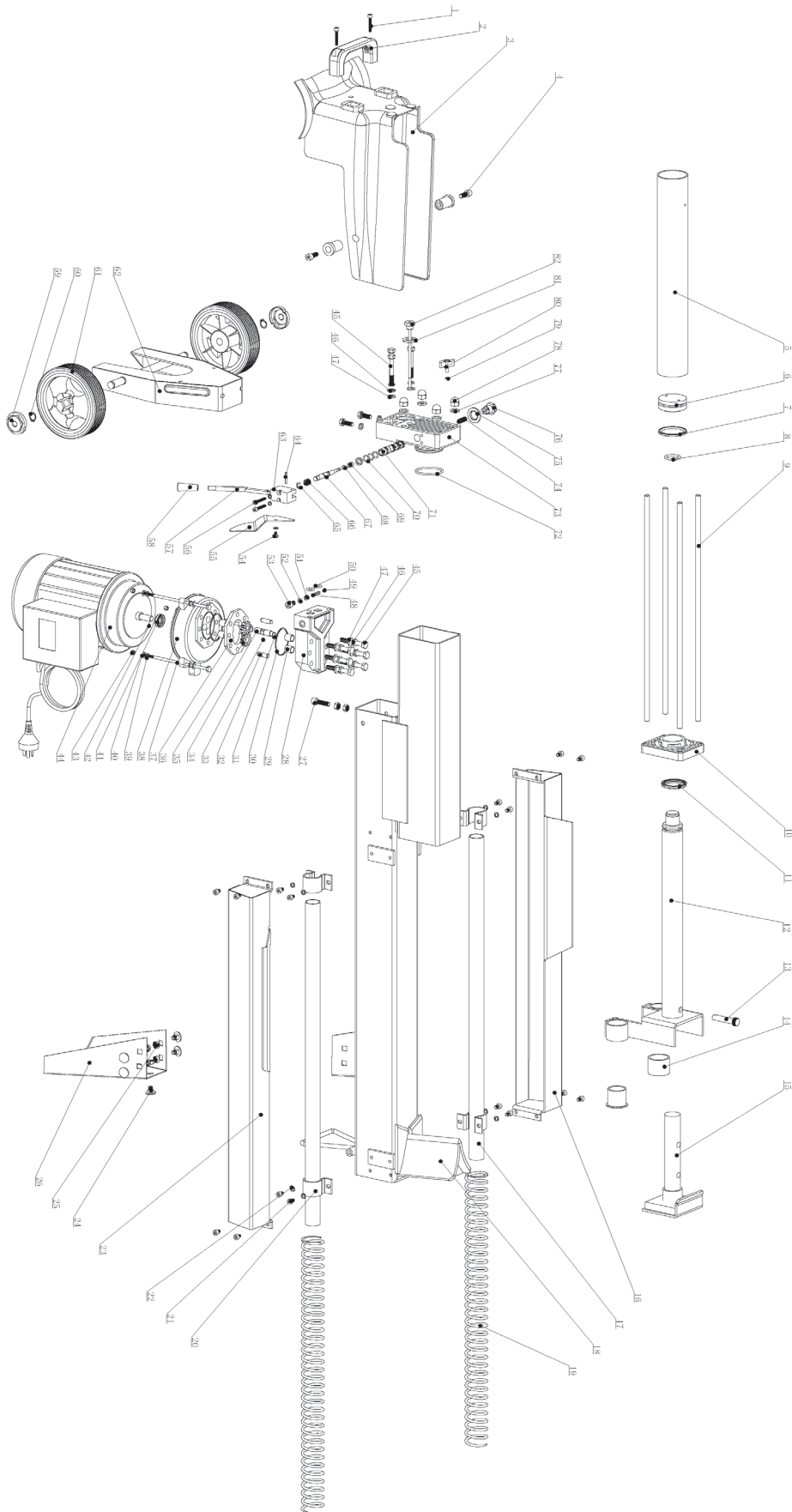
Ongelma	Mahdollinen syy	Toimenpide
Halonta epäonnistuu.	Ranka on asetettu väärin.	Käännä rankaa tai syötä vastakkainen pää ensin.
	Ranka on liian kova tai halkaisijaltaan liian suuri.	Yritä pienentää rangan halkaisijaa tai lyhentää rankaa ennen halontaa.
	Rakoveitsi on tylsä tai vioittunut.	Teroita rakoveitsi (ks. <i>Huolto</i> ).
	Öljy vuotaa.	Etsi vuoto, anna asiantuntijan korjata vika, lisää öljyä.
	Paineensäädin on väärin säädetty.	Anna asiantuntijan, jolla on käytettävissä säätölaitteisto, korjata vika.
Vastinlevy liikkuu katkonaisesti, äänekkäästi ja voimakkaasti tärähdellen.	Öljysäiliössä on liian vähän öljyä, järjestelmään on päässyt ilmaa.	Tarkista öljymäärä, lisää tarvittaessa öljyä ja korjauta mahdolliset vuodot.
Öljyvuoto männän tai muiden komponenttien kohdalla.	Hydraulijärjestelmässä ilmaa käytön aikana.	Löysennä ilmaventtiiliä 3–4 kierrosta ennen käyttöönottoa.
	Ilmaventtiiliä ei ole suljettu kuljetuksen tai siirron ajaksi.	Sulje ilmaventtiili ennen siirtoa tai kuljetusta.
	Öljytulppa ei ole kunnolla kiristetty.	Kiristä öljytulppa.
	Hydrauliventtiili ja/tai sen tiivisteet ovat kuluneet.	Ota yhteys ostopaikkaan.

## Tekniset tiedot

<b>Malli</b>	LS5T-52
<b>Moottori</b>	230 V AC 50 Hz
<b>Teho</b>	1500 W
<b>Kotelointiluokka</b>	IP 54
<b>Kapasiteetti, materiaalin enimmäismitat*</b>	Ø 5–25 cm, pituus 52 cm
<b>Suos. käyttölämpötila</b>	+5 °C ... +40 °C
<b>Halkaisuvoima</b>	5 tonnia
<b>Hydraulipaine</b>	20 Mpa
<b>Hydrauliöljyn määrä</b>	2,4 litraa
<b>Mitat</b>	Pituus 122 cm Leveys 25 cm Korkeus 48 cm
<b>Paino</b>	50 kg

\*Arvot ovat suuntaa antavia. Kapasiteetti riippuu puun kovuudesta, halkaisijasta ja oksaisuudesta.

# Kokoonpano



Nro	Nimi	Määrä
1	Ruuvi (M6 x 24)	2
2	Kahva	1
3	Kupu	1
4	Ruuvi M8 x 20	4
5	Sylinteri	1
6	Mäntä	1
7	Männäntiiviste	1
8	O-rengas	1
9	Vetotanko	4
10	Etupääty	1
11	Männäntiiviste	1
12	Männänvarsi	1
13	Lukkotappi	1
14	Ohjain	2
15	Vastinlevy, jossa pituuden säätö	1
16	Jousisuoja/puutuki (vasen)	1
17	Ohjain	2
18	Terä (Rakoveitsi)	1
19	Palautusjousi	2
20	Kiinnike	4
21	Ruuvi (M6 x 10)	16
22	Jousialuslaatta M6	8
23	Jousisuoja/puutuki (oikea)	1
24	Pultti M8 x 12	5
25	Mutteri M8	7
26	Tukijalka	1
27	Pultti M8 x 30	1
28	Pumpun pääty	1
29	Liukulaakerin holkki	4
30	O-rengas	2
31	Lukitusrengas	2
32	Tappi B8 x 24	2
33	Teräskuula 2.5	1
34	Akseli	1
35	Juoksupyörä	2
36	Pumpun runko	1
37	Pultti M5 x 185	3
38	Pääty moottori/pumppu	1
39	Aluslaatta	4
40	Jousialuslaatta M5	4
41	Tiiviste	1

Nro	Nimi	Määrä
42	Ristikilla	1
43	Mutteri M5	3
44	Moottori ja virtakytkin	1
45	Pultti M8 x 30	6
46	Jousialuslaatta M8	11
47	Aluslevy M8	9
48	Ylipaineventtiilin jousi	1
49	Teräskuula 6	1
50	O-rengas	2
51	Ylipaineventtiilin säätöruuvi	1
52	O-rengas	1
53	Ruuvi	1
54	Pultti M5 x 8	1
55	Ohjausvivun suoja	1
56	Ruuvi (M6 x 35)	2
57	Ohjausvipu	-
58	Nuppi	1
59	Navan kapseli	2
60	Lukitusrengas	2
61	Pyörä	2
62	Renkaan konsoli	1
63	Ohjausvipu, täydellinen	1
64	Putken sokka	-
65	Lukitusrengas	1
66	Jousi	1
67	Venttiilin mäntä	1
68	O-rengas	1
69	Mansetti	1
70	O-rengas	5
71	Venttiilisylinteri	1
72	O-rengas	1
73	Pääty, taka	1
74	Jousi	1
75	O-rengas	1
76	Tulppa	1
77	Aluslaatta	4
78	Hattumutteri	4
79	O-rengas	1
80	Ilmaventtiili	1
81	Tiiviste	1
82	Öljytikku/öljytulppa	1

# Holzspalter

ART.NR. 18-3018      MODELL LS5T-52-UK  
30-8710                      LS5T-52

Vor Inbetriebnahme die Bedienungsanleitung vollständig durchlesen und für künftigen Gebrauch aufbewahren. Irrtümer, Abweichungen und Änderungen behalten wir uns vor. Bei technischen Problemen oder anderen Fragen freut sich unser Kundenservice über eine Kontaktaufnahme (Kontakt siehe Rückseite).

## Warnung:

Bei Anwendung von Elektrowerkzeugen sind stets die folgenden allgemeinen Sicherheitshinweise einzuhalten, um Feuergefahr, Stromschläge und Personenschäden zu vermeiden.

**Vor Service- und Einstellarbeiten am Produkt immer den Stecker des Anschlusskabels aus der Steckdose ziehen!**

## Allgemeine Sicherheitsregeln zum Schutz des Bedieners und anderer Personen

- 1. Den Arbeitsplatz sauber halten.**  
Vollgestellte Flächen und Tische erhöhen das Risiko von Unfällen.
- 2. Die Maschine nicht in gefährlichen Umgebungen anwenden.**  
Elektrische Maschinen nicht auf feuchten, nassen Flächen oder bei Regen einsetzen. Für gute Beleuchtung des Arbeitsplatzes sorgen. Bei staubenden Tätigkeiten für gute Lüftung sorgen. Niemals elektrische Maschinen/Werkzeuge an Stellen benutzen, wo sie Brände oder Explosionen auslösen können.
- 3. Stromschläge vermeiden.**  
Körperkontakt mit geerdeten Gegenständen wie Wasserleitungen, Heizkörpern, Kochherden usw. vermeiden, während mit elektrischen Maschinen/Werkzeugen gearbeitet wird.
- 4. Kinder und andere Personen fernhalten.**  
Kinder und andere Personen müssen sich in Sicherheitsabstand zu elektrischen Maschinen/Werkzeugen bzw. elektrischen Kabeln am Arbeitsplatz befinden.
- 5. Die Maschinen kindersicher aufbewahren.**  
Elektrische Maschinen/Werkzeuge verschlossen oder außer Reichweite von Kindern aufbewahren, wenn sie nicht in Gebrauch sind.
- 6. Die Maschine nicht mit Kraft bedienen.**  
Sie leistet bessere und sicherere Arbeit mit der geeigneten Vorschubgeschwindigkeit.
- 7. Das richtige Werkzeug einsetzen.**  
Werkzeuge oder Zubehör nicht entgegen ihres eigentlichen Arbeitseinsatzes verwenden, um einen Arbeitsschritt durchzuführen, für den sie nicht vorgesehen sind.
- 8. Geeignete Kleidung tragen.**  
Keine lockere Kleidung, Handschuhe, Halsketten, Ringe, Armbänder oder anderen Schmuck tragen, was sich in rotierenden Teilen verfangen kann. Rutschfeste Schuhe werden empfohlen. Bei langem Haar ein Haarnetz (o. Ä.) tragen.
- 9. Immer Augenschutz tragen.**  
Immer Augenschutz tragen, eine normale Brille reicht nicht aus. Bei staubenden Arbeiten einen Staubfilter oder eine Schutzmaske anwenden.
- 10. Absaugeinrichtungen benutzen.**  
Wenn die Maschine dafür vorgesehen ist, eine Absaugeinrichtung einsetzen, um Staub und Späne zu entfernen und aufzusaugen; darauf achten, dass die Einrichtung richtig angewendet und bei Bedarf geleert wird.
- 11. Niemals das Netzkabel zweckentfremden.**  
Die Maschine niemals am Anschlusskabel tragen. Nicht am Kabel, sondern am Stecker ziehen. Sicherstellen, dass das Anschlusskabel nicht mit Hitze, Öl oder scharfen Kanten in Kontakt kommt.

12. **Das Werkstück sorgfältig befestigen.**  
Wenn möglich, Zwingen oder einen Schraubstock verwenden, damit das Werkzeug mit beiden Händen geführt werden kann. Das ist sicherer, als das Werkstück mit einer Hand zu halten.
13. **Nicht zu weit nach vorne strecken.**  
Für einen sicheren Stand und gutes Gleichgewicht sorgen.
14. **Die Werkzeuge mit Sorgfalt pflegen.**  
Sicherstellen, dass sie für optimale Leistung und ein sicheres Ergebnis sauber und die Klingen scharf sind. Zum Schmieren und beim Wechsel von Zubehör den Empfehlungen der Betriebsanleitung folgen. Das Anschlusskabel regelmäßig auf Schäden kontrollieren, bei Bedarf von einem qualifizierten Servicetechniker wechseln lassen. Sämtliche Verlängerungskabel regelmäßig auf Schäden kontrollieren. Sicherstellen, dass Griffe und Schalter der Maschine/ des Werkzeugs trocken, sauber und frei von Öl, Fett usw. sind.
15. **Den Strom abschalten.**  
Vor Servicearbeiten und Wechsel von Zubehör wie Hobelklinge, Bohrer, Klingen, Schleifband oder -blätter den Stecker herausziehen und den Nothalt betätigen.
16. **Alle Schlüssel und Servicewerkzeuge entfernen.**  
Routinemäßig überprüfen, ob sämtliche Schlüssel und Servicewerkzeuge von der Maschine entfernt sind, bevor der Strom angeschaltet wird.
17. **Versehentliches Einschalten vermeiden.**  
Das Werkzeug nicht mit einem Finger am Startschalter tragen, wenn das Kabel in der Steckdose steckt. Sicherstellen, dass der Startschalter auf OFF steht, wenn der Stecker in die Steckdose gesteckt wird.
18. **Geeignete Verlängerungskabel anwenden.**  
Im Außenbereich ausschließlich Verlängerungskabel benutzen, die für diesen Zweck zugelassen sind. Verlängerungskabel mit ausreichendem Querschnitt verwenden, das gesamte Kabel ausrollen.
19. **Mit Vernunft und Achtsamkeit an die Arbeit gehen.**  
Die einzelnen Arbeitsschritte gut planen, damit sie sicher durchgeführt werden können. Bei Müdigkeit, unter Einfluss von Medikamenten etc. nicht mit der Maschine/dem Werkzeug arbeiten.
20. **Sicherstellen, dass alle Teile unbeschädigt sind.**  
Vor Start des Werkzeugs sicherstellen, dass alle Schutz- und sonstigen Teile unbeschädigt und funktionstüchtig sind, dass alle beweglichen Teile frei beweglich und richtig eingerichtet sind, dass keine beweglichen Teile festklemmen können, dass keine Defekte oder anderen Umstände eintreten können, welche die Ausführung der Arbeit beeinträchtigen können. Beschädigte Schutzvorrichtungen und Schäden an anderen Teilen müssen fachgerecht repariert oder ausgetauscht werden. Defekte Kabel und Schalter müssen immer von einem Fachmann ausgetauscht werden. Niemals ein Werkzeug verwenden, das sich nicht sicher ab- oder anstellen lässt.
21. **Das empfohlene Zubehör verwenden.**  
Die Verwendung von nicht empfohlenem Zubehör kann zu Unfällen oder Verletzungen führen.
22. **Reparaturen nur von qualifizierten Technikern ausführen lassen.**  
Das Werkzeug erfüllt die geltenden Sicherheitsanforderungen. Reparaturen des Werkzeugs müssen immer von einem Fachmann und mit Original-Ersatzteilen ausgeführt werden, ansonsten kann es zu Unfällen oder Verletzungen kommen.
23. **Elektrowerkzeuge müssen zum Schutz von Personen über einen Fehlerstromschutzschalter angeschlossen werden.**  
Das Produkt darf nicht manipuliert oder für Arbeitsschritte verwendet werden, für die es nicht vorgesehen ist. Es ist regelmäßig sicherzustellen, dass sämtliche Schrauben und Muttern richtig angezogen sind.

## Besondere Sicherheitshinweise für Holzspalter

- Bedienungsanleitung aufbewahren und dafür sorgen, dass diese bei eventuellem Verleih der Maschine mitgegeben wird.
- Die Warnaufkleber der Maschine lesen und für Lesbarkeit der Aufkleber sorgen.
- Vor Anschluss des Holzspalters kontrollieren, dass die Steckdose die richtige Netzspannung (230 V) hat.
- Nie versuchen, selbst die werkseitige Druckeinstellung zu ändern, die eine max. Druckkraft von 5 Tonnen gewährleistet. Eine falsche Einstellung kann zu einer schlechteren Funktion führen oder ernste Personen- oder Maschinenschäden verursachen.
- Bei Bedarf Augenschutz, Gehörschutz und Sicherheitsschuhe tragen.



- Stets so stehen, dass alle Arbeiten mit gutem Gleichgewicht ausgeführt sowie Ein-/Ausschalter und Druckhebel mit beiden Händen gehalten werden können.
- Hände und Finger sind in sicherem Abstand von Druckplatte und Spaltkeil zu halten. Wie bei Arbeiten an allen Maschinen muss Vorsicht und gesunder Menschenverstand walten.
- Sicherstellen, dass sich weder Menschen noch Tiere in der Nähe der Maschine aufhalten, scharfe Holzsplitter können mit großer Kraft herumfliegen.
- Bei Service und bei Arbeitspausen stets den Stecker des Netzkabels aus der Steckdose ziehen und dafür Sorge tragen, dass Kinder den Holzspalter nicht starten können.
- Den Holzspalter sicherheitshalber an eine Steckdose über einen Fehlerstromschutzschalter anschließen.
- Den Holzspalter niemals bei Regen oder extrem feuchtem Wetter anwenden.
- Die Maschine niemals anwenden, wenn Netzkabel, Schalter oder ein anderes Teil beschädigt ist. Defekte Teile sind von einem Fachmann auszutauschen.
- Den Arbeitsplatz sauberhalten und sicherstellen, dass die Kühlung des Elektromotors nicht durch Schmutz an den Kühlflanschen oder Lüftungsöffnungen verhindert wird.
- **Achtung:** Die Entlüftungsschraube (15) 3–4 Umdrehungen herausschrauben, sodass während des Betriebs ein deutlicher Luftstrom zu spüren ist, anderenfalls können die Dichtungen im Hydrauliksystem beschädigt werden und den Holzspalter unbrauchbar machen.
- Vor Anwendung festen Sitz der Muttern an den Zugstangen überprüfen, da anderenfalls der Holzspalter beschädigt werden kann.

## Produktkennzeichnung mit Piktogrammen



**Warnung:** Quetschgefahr, Vorsicht ist geboten; während des Spaltvorgangs die Hände von beweglichen Teilen fernhalten.



**Warnung:** Quetschgefahr bei Versuchen, ein verklemmtes Holzstück zu entfernen. Dies darf nicht mit den Händen, sondern muss mithilfe eines geeigneten Werkzeugs erfolgen.



**Warnung:** Quetschgefahr, stets auf die Bewegungen der Druckplatte achten.



Außer dem Bediener der Maschine dürfen sich keine weiteren Personen im Gefahrenbereich der Maschine aufhalten. Kinder und andere Personen sowie Haustiere aus dem Gefahrenbereich der Maschine fernhalten.



Bei Nichtanwendung der Maschine und vor Reinigungs- und Servicearbeiten den Stecker des Netzkabels aus der Steckdose ziehen.



Auf die Umwelt achten, Altöl nach den örtlichen Umweltvorschriften entsorgen.



Vor Gebrauch die Maschine auf eventuelle Beschädigungen kontrollieren, besonders das Netzkabel. Festen Sitz von Schrauben/Muttern und Funktion des Bedienhebels kontrollieren.



Die Bedienungsanleitung durchlesen. Die gesamte Bedienungsanleitung durchlesen und die Arbeitsweise der Maschine zu verstehen zu versuchen.



Augenschutz tragen.  
Die Augen vor herumfliegenden Splintern schützen. Schutzbrille oder Visier tragen.



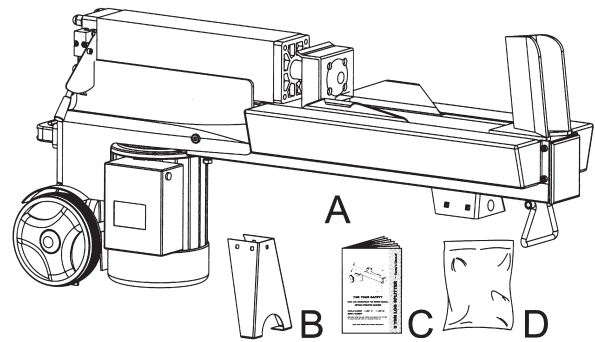
Handschuhe tragen.



Sicherheitsschuhe tragen. Sicherheitsschuhe mit Zehenschutzkappe tragen, die Schutz vor herunterfallenden Gegenständen bieten.

# Lieferumfang

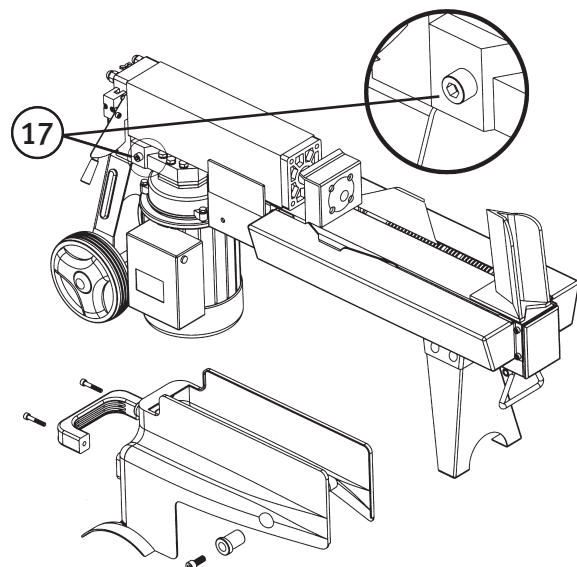
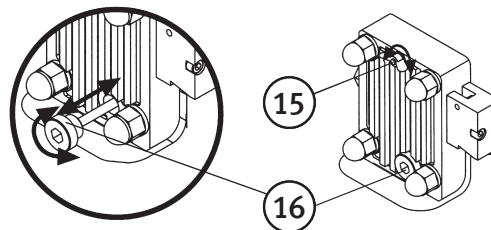
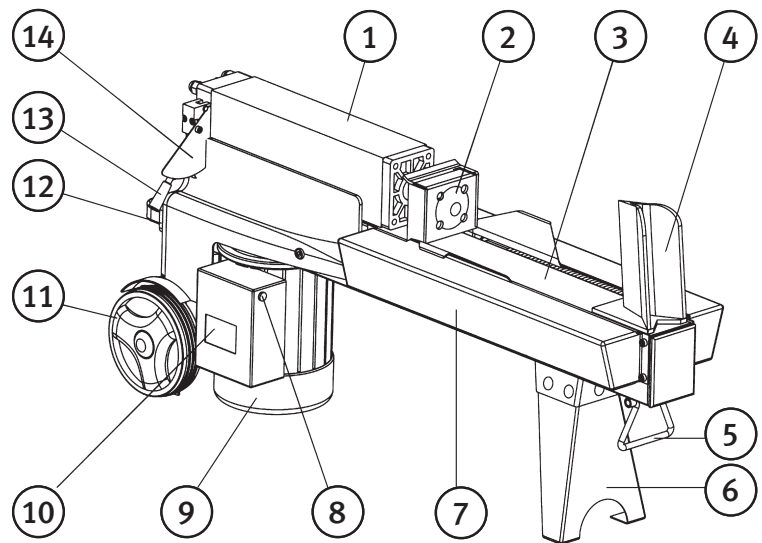
- A. Holzspalter
- B. Stützbein
- C. Bedienungsanleitung
- D. Tüte mit Schrauben und Stützbein (M8) und Kolbenhubbegrenzer



# Produktbeschreibung

## Bauteile

- 1. Öltank
- 2. Druckplatte
- 3. Arbeitstisch mit Seitenstützen
- 4. Spaltmesser
- 5. Hebe-/Zuggriff
- 6. Stützbein
- 7. Schutz über der Rückfeder
- 8. Ein-/Ausschalter
- 9. Motor
- 10. Schalterkasten
- 11. Räder für kürzere Transportstrecken
- 12. Hebegriff
- 13. Bedienhebel
- 14. Schutz für Bedienhebel
- 15. Entlüftungsschraube
- 16. Ölablassschraube mit Ölmesstab
- 17. Druckbegrenzungsventil (unter dem Gehäuse)
- 18. Kolbensteuerung (siehe nächste Seite)
- 19. Kolbenhubbegrenzer (siehe nächste Seite)
- 20. Verriegelungsstift (siehe nächste Seite)



# Montage

Das Stützbein mithilfe der mitgelieferten Schrauben montieren.

# Vorbereitungen

1. Den Holzspalter auf einer ebenen und stabilen Arbeitsfläche in geeigneter Arbeitshöhe aufstellen.
2. Die Spaltlänge einstellen (siehe unten).
3. Das Netzkabel an eine Steckdose anschließen, am besten über einen Fehlerstromschutzschalter. Bei der Verlegung des Kabels darauf achten, dass es bei der Arbeit mit dem Holzspalter nicht beschädigt werden kann.
4. Die Entlüftungsschraube (15) 3–4 Umdrehungen herausschrauben, sodass während des Betriebs ein deutlicher Luftstrom zu spüren ist.

## Bedienung

### Einstellung der Spaltlänge

Der Holzspalter ist für Holz von einer Länge bis zu 52 cm vorgesehen.

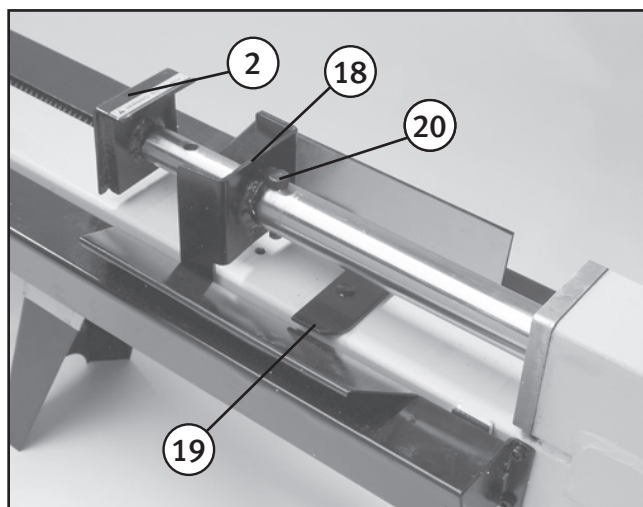
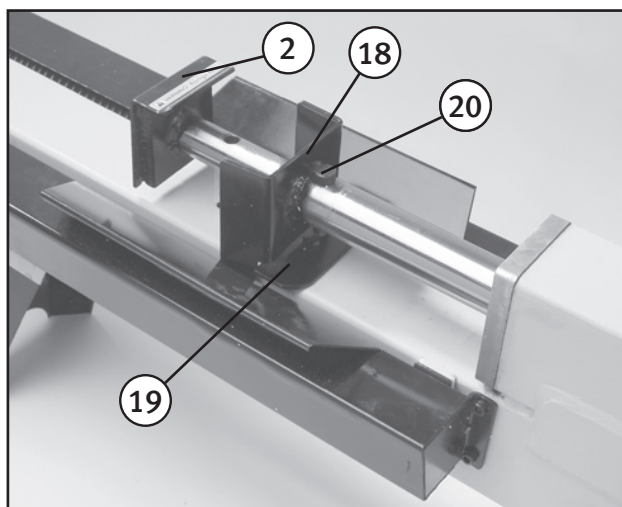
1. Den Verriegelungsstift an der Kolbenstange hinter der Druckplatte entfernen.
2. Die Druckplatte zum Spaltmesser heranziehen, bis zwei Löcher in der inneren und äußeren Kolbenstange übereinander liegen.
3. Den Verriegelungsstift zurücksetzen.
4. Für kürzere Holzlängen wird der Kolbenhubbegrenzer\* (siehe unten) verwendet, um den Bewegungsbereich der Kolbenstange zu verkürzen und schnellere Arbeitsmomente zu ermöglichen.

\* Der Kolbenhubbegrenzer ist eine abnehmbare Vorrichtung, die die Umkehrbewegung der Kolbensteuerung verhindert. Den Begrenzer nur bei kurzen Holzlängen anwenden.

1. Den Ein-/Ausschalter und den Bedienhebel drücken und den Kolben bis zu seiner äußeren Position gehen lassen, den Ein-/Ausschalter loslassen, aber den Bedienhebel gedrückt halten.
2. Den Zapfen des Kolbenhubbegrenzers in eines der Löcher im Arbeitstisch platzieren.
3. Den Bedienhebel loslassen, sodass die Kolbensteuerung (18) vom Kolbenhubbegrenzer (19) gestoppt wird.
4. Die Spaltlänge durch Änderung der Länge der Kolbenstange mithilfe der beiden Löcher einstellen.

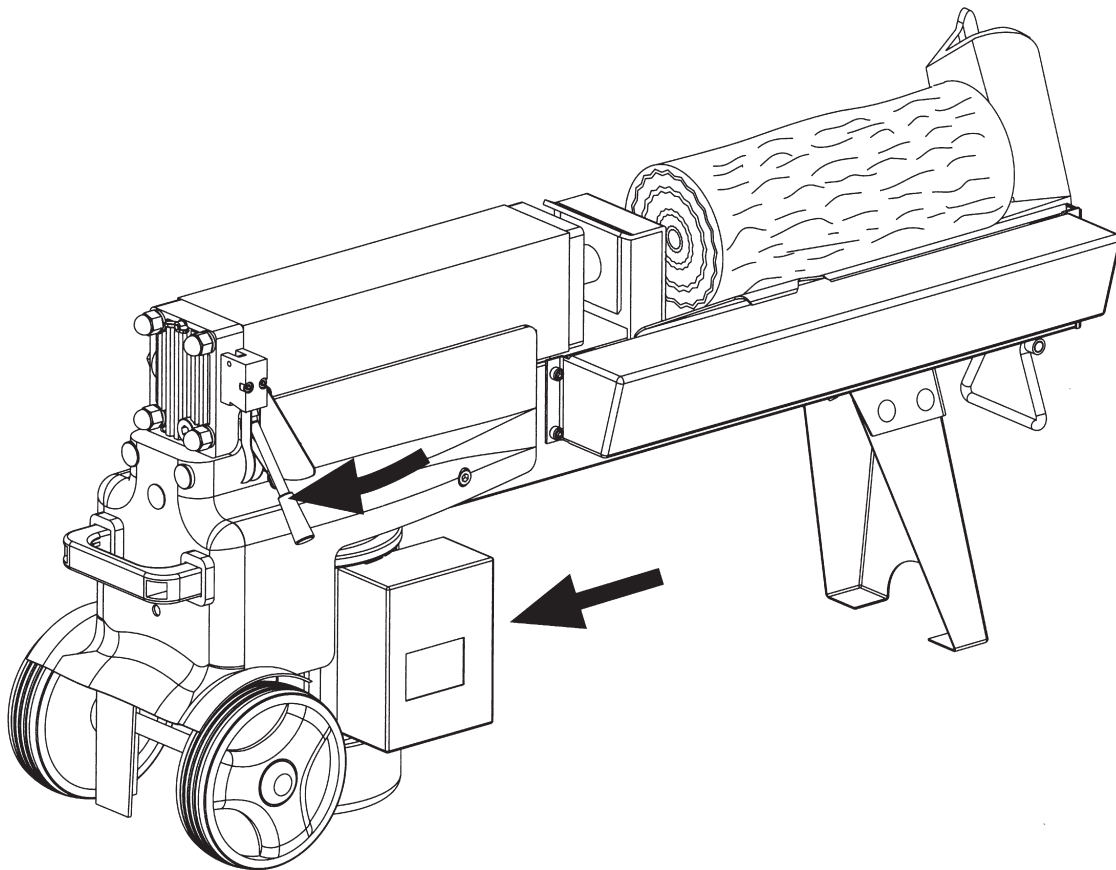
#### Achtung:

- Den Holzspalter nie mit dem Kolbenhubbegrenzer (19) vor der Druckplatte (2) anwenden, der Begrenzer muss sich immer hinter der Druckplatte (2) befinden oder entfernt sein.
- Den Holzspalter nie ohne montierte Druckplatte (2), die mit dem zugehörigen Verriegelungsstift (20) fixiert ist, anwenden.



## Arbeit mit dem Holzspalter

1. Das Holzstück stets mit dem am wenigsten astigen Ende zum Spaltmesser hin legen, immer in Faserrichtung spalten.
2. Das Holzstück stabil liegend platzieren, dabei die Seitenstützen des Arbeitstisches als Hilfe verwenden.
3. Den Motor durch Eindrücken des Ein-/Ausschalters starten und den Schalter eingedrückt halten.
4. Die Hydraulik durch Senken des Bedienhebels starten.
5. Die Druckplatte auf der Kolbenstange presst nun das Holzstück gegen das Spaltmesser.
6. Zur Beendigung des Spaltvorgangs den Bedienhebel und den Ein-/Ausschalter loslassen, die Rückfedern ziehen nun die Kolbenstangen zurück.

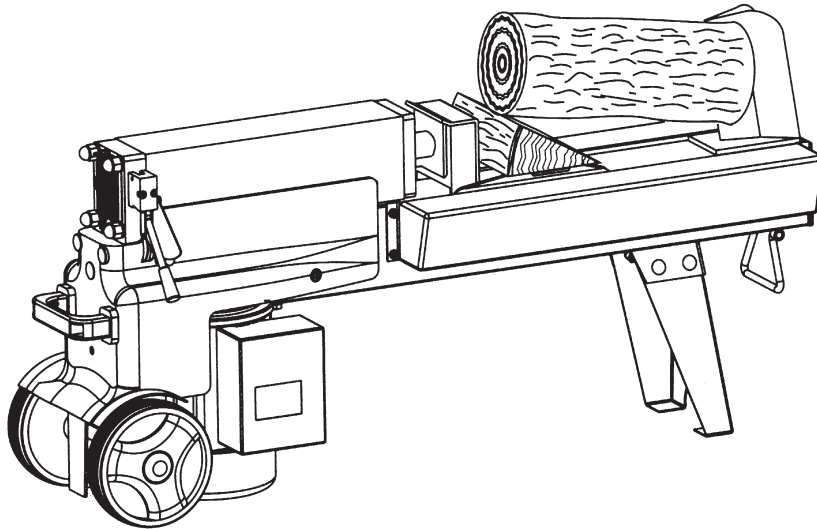


### Achtung:

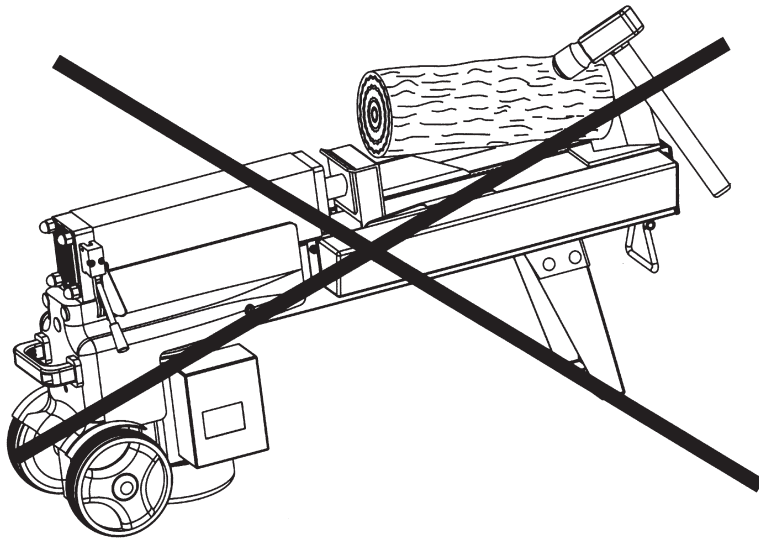
- Wenn das Holzstück trotz maximalem Druck nicht innerhalb 5 Sekunden gespalten wird: Bedienhebel und Ein-/Ausschalter loslassen und die Druckplatte zurückfahren lassen, das Holzstück um 90° drehen oder wenden und einen neuen Spaltversuch unternehmen.
- Bei Transport und Lagerung der Maschine die Entlüftungsschraube (15) schließen, da anderenfalls Öl austreten kann. Bei längerer Aufbewahrung mit geöffneter Entlüftungsschraube absorbiert das Öl die in der Luft vorhandene Feuchtigkeit, wodurch das Hydrauliksystem von innen rosten kann.

## Bei Verklemmen des Holzstückes

- Den Spaltvorgang beenden.
- Wenn die Druckplatte in die Ausgangslage zurückgegangen ist, einen Holzkeil unter das verklemmte Holzstück legen.
- Den Holzspalter starten und den Keil mithilfe der Druckplatte eindrücken.
- Den Vorgang bei Bedarf mit einem größeren Keil wiederholen.



**Achtung:** Niemals versuchen, ein eingespanntes Holzstück loszuschlagen, dieses kann unter Freisetzung großer Kräfte zersplittern und Personenschäden oder Schäden am Holzspalter verursachen.

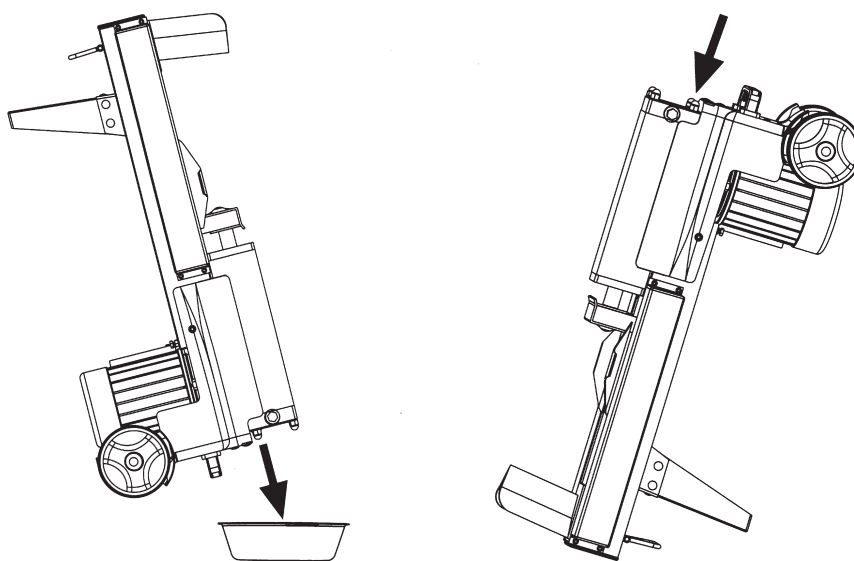


# Wartung

## Wechsel des Hydrauliköls

Das Hydrauliköl ist in regelmäßigen Abständen (etwa alle 150 Betriebsstunden) wie folgt zu wechseln:

1. Sicherstellen, dass sich die Druckplatte in ihrer Ausgangslage befindet und Stecker ziehen.
2. Ölablassschraube (16) herausschrauben.
3. Den Holzspalter mit der Motorseite nach unten über eine Sammelwanne mit einem Fassungsvermögen von mindestens 4 Liter neigen und warten, bis das gesamte Öl ausgelaufen ist.
4. Den Holzspalter mit dem Spaltmesser nach unten neigen und neues Hydrauliköl von guter Qualität (ca. 2,4 l) einfüllen.
5. Den Ölmesstab sauberwischen und diesen bei vertikaler Lage des Holzspalters in den Tank stecken. Den Ölmesstab herausziehen und ablesen; der Ölstand muss zwischen den beiden Markierungen am Ölmesstab liegen.
6. Die Ölablassschraube reinigen und ordentlich festschrauben, damit kein Öl austritt.
7. Den Ölstand regelmäßig kontrollieren und bei Bedarf Öl nachfüllen.



## Schärfen des Spaltmessers

Das Spaltmesser scharf halten, indem regelmäßig etwaige Grate an der Messerschneide mit einer feinen Metallfeile entfernt werden.

## Sonstige Wartung

- Vor Service- und Einstellarbeiten immer erst den Netzstecker ziehen.
- Kontrollieren, dass Netzkabel, Stecker und Ein-/Ausschalter in gutem Zustand und ohne Defekte sind.
- Alle Teile des Holzspalters mit Bürste und trockenen Tüchern reinigen.
- Die Maschine in einer trockenen, nicht-korrosiven Umgebung außerhalb der Reichweite von Kindern aufbewahren; dafür sorgen, dass die Lagertemperatur nicht  $-25^{\circ}$  untersteigt.
- Sicherstellen, dass alle Schrauben und Muttern fest sitzen und gut angezogen sind.

## Hinweise zur Entsorgung

Bitte das Produkt entsprechend den lokalen Bestimmungen entsorgen. Weitere Informationen sind von der Gemeinde oder den kommunalen Entsorgungsbetrieben erhältlich.



# Fehlersuche

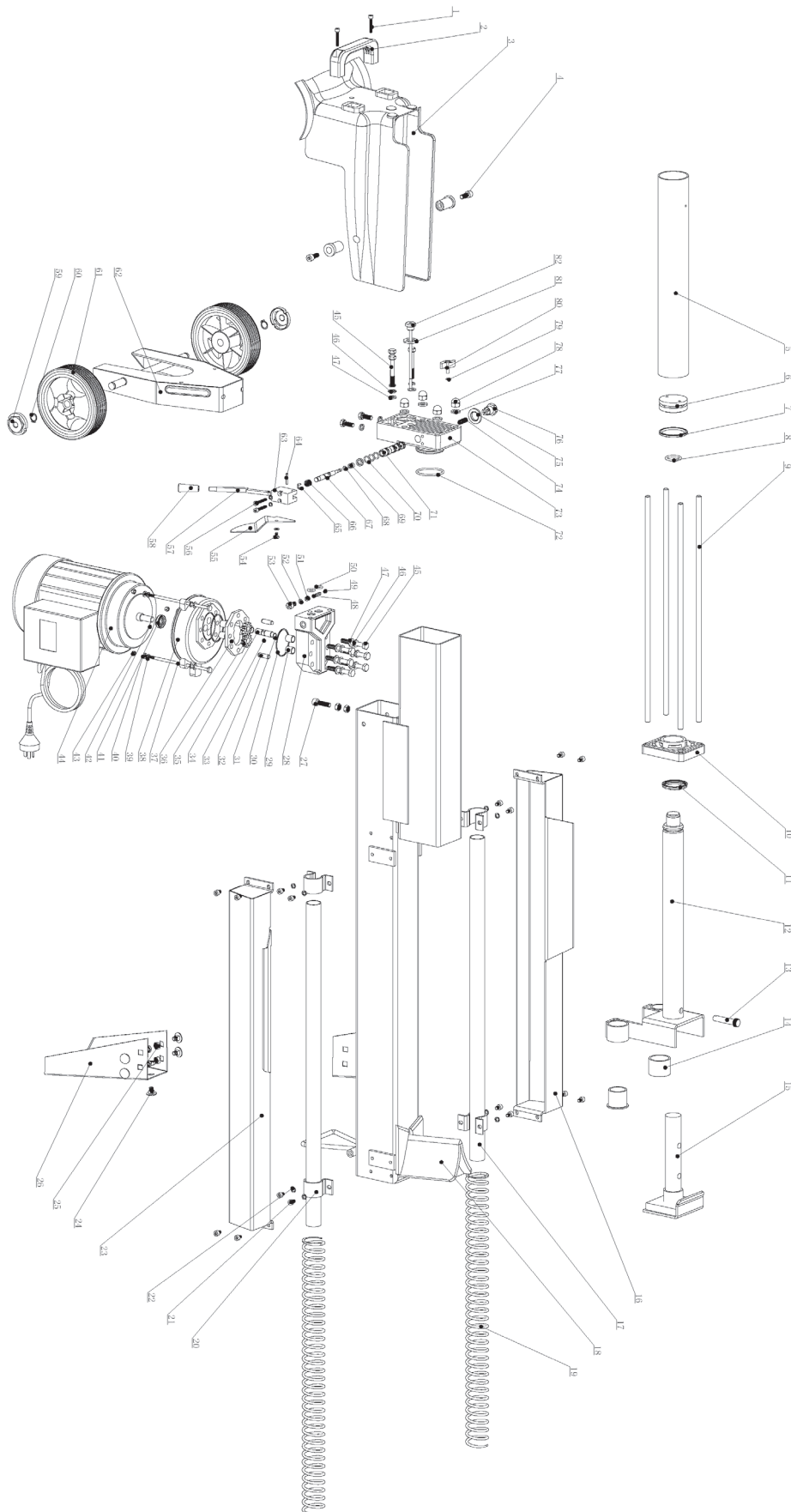
Problem	Mögliche Ursache	Geeignete Maßnahme
Holzstück wird nicht gespalten.	Holzstück falsch positioniert.	Das Holzstück umdrehen.
	Härte oder Durchmesser des Holzstückes ist zu groß.	Vor dem Spalten Durchmesser oder Länge zu verkleinern versuchen.
	Spaltmesser stumpf oder beschädigt.	Spaltmesser schärfen (siehe <i>Wartung</i> ).
	Ölleckage.	Die Leckage lokalisieren, einen qualifizierten Techniker mit der Fehlerbeseitigung beauftragen, Öl nachfüllen.
	Falsche Einstellung des Druckreglers.	Einen qualifizierten Techniker mit Testausrüstung mit der Fehlerbeseitigung beauftragen.
Druckplatte bewegt sich ruckartig mit Störgeräuschen und starken Vibrationen.	Zu niedriger Ölstand, Luft ist ins System eingedrungen.	Ölstand kontrollieren und bei Bedarf Öl nachfüllen, etwaige Leckage beseitigen.
Ölleckage am Kolben oder einer anderen Komponente.	Luftblasen im Hydrauliksystem während des Betriebs.	Vor Beginn der Arbeiten Entlüftungsschraube 3–4 Umdrehungen herausschrauben.
	Entlüftungsschraube ist vor Transport oder Platzwechsel nicht festgezogen worden.	Vor Platzwechsel oder Transport Entlüftungsschraube festziehen.
	Die Ölablassschraube ist nicht ordentlich festgezogen.	Ölablassschraube festziehen.
	Das Hydraulikventil und/oder die Dichtungen sind verschlissen.	Händler kontaktieren.

## Technische Daten

<b>Modellbezeichnung</b>	LS5T-52
<b>Motor</b>	230 V AC 50 Hz
<b>Leistung</b>	1500 W
<b>Schutzart</b>	IP54
<b>Spaltkapazität*</b>	Ø 5–25 cm, Länge 52 cm
<b>Empfohlene Betriebstemperatur</b>	+5 °C bis +40 °C
<b>Spalkraft</b>	5 Tonnen
<b>Hydraulischer Druck</b>	20 Mpa
<b>Hydraulikölmenge</b>	2,4 Liter
<b>Abmessungen</b>	Länge 122 cm Breite 25 cm Höhe 48 cm
<b>Gewicht</b>	50 kg

\*Die angegebenen Werte sind Richtwerte, die Kapazität hängt von Härte, Durchmesser und Astigkeit des Holzstückes ab.

# Explosionszeichnung





Nr.	Bezeichnung	Stück
1	Schraube M6 x 15	2
2	Griff	1
3	Gehäuse	1
4	Schraube M8 x 20	4
5	Zylinder	1
6	Kolben	1
7	Kolbendichtung	1
8	O-Ring	1
9	Zugstange	4
10	Vorderes Endstück	1
11	Kolbendichtung	1
12	Kolbenstange	1
13	Verriegelungsstift	1
14	Steuerung	2
15	Druckplatte mit Hubeinstellung	1
16	Federschutz/Holzstütze (links)	1
17	Steuerung	2
18	Spaltmesser	1
19	Rückfeder	2
20	Arm	4
21	Schraube M6 x 10	16
22	Federring M6	8
23	Federschutz/Holzstütze (rechts)	1
24	Schraube M8 x 12	5
25	Mutter M8	7
26	Stützbein	1
27	Stützbein	1
28	Pumpenseite	1
29	Gleitlagerbuchse	4
30	O-Ring	2
31	Sicherungsring	2
32	Stift B8 x 24	2
33	Stahlkugel 2,5	1
34	Achse	1
35	Pumpenrad	2
36	Pumpengehäuse	1
37	Schraube M5 x 185	3
38	Endplatte des Motors/der Pumpe	1
39	Unterlegscheibe	4
40	Federring M5	4
41	Dichtung	1
42	Kreuzkeil	1

Nr.	Bezeichnung	Stück
43	Mutter M5	3
44	Motor mit Ein-/Ausschalter	1
45	Stützbein	6
46	Federring M8	11
47	Unterlegscheibe M8	9
48	Feder für Überdruckventil	1
49	Stahlkugel 6	1
50	O-Ring	2
51	Einstellschraube für Überdruckventil	1
52	O-Ring	1
53	Schraube	1
54	Schraube M5 x 8	1
55	Schutz für Bedienhebel	1
56	Schraube M6 x 35	2
57	Bedienhebel	1
58	Knopf	1
59	Bedienhebel	2
60	Sicherungsring	2
61	Rad	2
62	Radkonsole	1
63	Bedienhebel komplett	1
64	Rohrsplint	1
65	Sicherungsring	1
66	Feder	1
67	Ventilkolben	1
68	O-Ring	1
69	Manschette	1
70	O-Ring	5
71	Ventilzylinder	1
72	O-Ring	1
73	Hintere Endplatte	1
74	Feder	1
75	O-Ring	1
76	Dübel	1
77	Unterlegscheibe	4
78	Hutmutter	4
79	O-Ring	1
80	Entlüftungsschraube	1
81	Dichtung	1
82	Ölmesstab/Ölablassschraube	1

# Declaration of Conformity

Försäkran om överensstämmelse

Samsvarerklæring

Vakuutus yhdenmukaisuudesta

Konformitätserklärung



**CLAS OHLSON AB**

**SE-793 85 INSJÖN, SWEDEN**

Declares that this product complies with the requirements of the following directives and standards

Intygat att denna produkt överensstämmer med kraven i följande direktiv och standarder

Bekrefter at dette produktet er i samsvar med følgende direktiver og standarder

Vakuuttaa, että tämä tuote täyttää seuraavien direktiivien ja standardien vaatimukset

Erklärt hiermit, dass dieses Produkt die Anforderungen und Bestimmungen folgender Richtlinien erfüllt

## LOG SPLITTER 5 TON

**Cotech 30-8710 / 18-3018**

**LS5T-52 / LS5T-52-UK**

<b>Machinery directive 2006/42/EC</b>	<b>EMC directive 2004/108/EC</b>	<b>Low voltage directive 2006/95/EC</b>
EN 60204-1:2006 +A1:2009 EN 609-1:1999 +A2:2009	EN 55014-1:2006+A1 EN 55014-2:1997+A1+A2 EN 61000-3-2:2006+A1+A2 EN 61000-3-11:2000	

Klas Balkow  
President

Insjön, Sweden, 2013-10-31



