

# CO/TECH®

## Electric Chainsaw

*El-kedjesåg 2000W*  
*Ketjusaha 2000W*  
*Kjedesag 2000W*



### **Important!**

Read the entire instruction manual carefully and make sure that you fully understand it before you use the equipment. Keep the manual for future reference.

### **Viktig information:**

Läs hela bruksanvisningen noggrant och försäkra dig om att du har förstått den innan du använder utrustningen och spara den för framtida bruk.

### **Viktig informasjon:**

Les disse anvisningene nøye og forsikre deg om at du forstår dem før du bruker enheten og oppbevar dem for senere bruk.

### **Tärkeätä tietoa:**

Lue nämä ohjeet huolellisesti ja varmista että olet ymmärtänyt ne, ennen kuin alat käyttää laitetta. Säilytä ohjeet myöhempää tarvetta varten.

ENGLISH 3

SVENSKA 23

NORSK 43

SUOMI 63

ART.NO	MODEL
18-3039	YT4646-UK
30-9288	YT4646

Ver. 200802



# **Electric chainsaw 2000 W**

ART.NO: 18-3039 MODEL: YT4646-UK

30-9288

YT4646

Please read the entire instruction manual before using and save it for future use.  
We apologise for any text or photographic errors and any changes in technical data.  
If you have any questions concerning technical problems please contact our Customer Service Department (see address on reverse.)

**Warning! When you use electric hand tools the following safety rules should always be followed in order to reduce the risk of fire, electric shock and personal injury.  
Always remove the cable plug from the socket before servicing and adjusting the product!**

## **For safe operation**

1. Keep work area clean.  
Cluttered areas and benches invite injuries.
2. Consider work area environment.  
Do not expose power tools to rain. Do not use power tools in damp or wet conditions.  
Keep work area well lit. Do not use power tools where there is risk to cause fire or explosion.
3. Guard against electric shock.  
Avoid body contact with earthed or grounded surfaces (e.g. pipes, radiators, ranges, refrigerators).
4. Keep children away.  
Do not let bystanders touch the tool or extension cord. All bystanders should be kept away from area.
5. Store idle tools.  
When not in use, tools should be stored in a dry, high or locked up place, out of reach of children.
6. Do not force the tool.  
It will do better and safer job at the rate for which it was intended.
7. Use the right tool.  
Do not force small tools or attachments to do the job of heavy duty tools. Do not use tools for purposes not intended; for example, do not use circular saws to cut tree limbs or logs.
8. Dress properly.  
Do not wear loose clothing or jewellery, they can be caught in moving parts. Rubber gloves and non-skid footwear are recommended when working outdoors. Wear protective hair covering to contain long hair.
9. Use safety glasses.  
Also use face or dust masks if the cutting operation is dusty.
10. Connect dust extraction equipment.  
If devices provide for the connection of dust extraction and collection ensure these are connected and properly used.

## *English*

11. Do not abuse the cord.  
Never carry the tool by the cord or pull it to disconnect it from the socket. Keep the cord away from heat, oil and sharp edges.
12. Secure work.  
Use clamps or a vice to hold the work. It is safer than using your hands and it frees both hands to operate the tool.
13. Do not overreach.  
Keep proper footing and balance at all times.
14. Maintain tool with care.  
Keep cutting tools sharp and clean for better and safer performance. Follow instructions for lubrication and the changing accessories. Inspect the mains lead periodically and if damaged have it repaired by an authorized service facility. Inspect extension cords periodically and replace, if damaged. Keep handles dry, clean and free from oil and grease.
15. Disconnect the power.  
When not in use, before servicing and when changing accessories such as blades, bits and cutters.
16. Remove adjusting keys and wrenches.  
Form the habit of checking to see that keys and adjusting wrenches are removed from the tool before turning it on.
17. Avoid unintentional starting.  
Do not carry a plugged-in tool with a finger on the switch. Ensure switch is off when plugging in.
18. Use outdoor extension leads.  
When tool is used outdoors, use only extension cords intended for outdoor use.
19. Stay alert.  
Watch what you are doing. Use common sense. Do not operate tool when you are tired.
20. Check damaged parts.  
Before further use of the tool, a guard or other part that is damaged should be carefully checked to determine that it will operate properly and perform its intended function. Check for alignment of moving parts, free running of moving parts, breakage of parts, mounting and any other conditions that may affect its operation. A guard or other part that is damaged should be properly repaired or replaced by an authorized service centre unless otherwise indicated in this instruction manual. Have defective switches replaced by an authorized service facility. Do not use the tool if the switch does not turn it on and off.
21. Use recommended accessories.  
The use of any accessory or attachment, other than those recommended in this instruction manual, may present a risk of personal injury.
22. Have your tool repaired by a qualified person.  
This electric tool complies with the relevant safety requirements. Repairs should only be carried out by qualified personnel using original spare parts, otherwise this may result in considerable danger for the user.

## Product markings and safety symbols on the machine



Warning.



Pull out the plug immediately if the extension lead is damaged, do not touch the lead, only the plug itself.



Do not expose the machine to rain or moisture.



Read the instruction manual.  
Read the instruction manual, follow the safety rules and observe the warnings.



Wear head protection, eye protection/visor and ear defenders.



Switch the machine off and unplug it before all cleaning, maintenance and whenever it is not being used.

## Safety Instructions

The safety instructions must be observed when using the chainsaw. For your safety and the safety of others, read this information carefully before using the chainsaw and keep it for future reference. Only use the chainsaw for sawing trees or wooden objects. All other use of the chainsaw is at your own risk and could be dangerous. The manufacturer will not be held responsible for any damage caused by improper use.

## Safety Instructions and the Prevention of Injury

To prevent the improper use of the chainsaw read the entire operating manual before you begin using the chainsaw for the first time. All information concerning use of the chainsaw is relevant to your personal safety.

Let an expert show you how to use the chainsaw and protective equipment before you begin using it for the first time. Start by cutting timber on a saw horse to familiarise yourself with the chainsaw before taking on more difficult tasks.

- Before connecting the chainsaw to the wall socket, inspect the mains lead and plug for any damage. A damaged mains lead must be replaced immediately by a qualified electrician.
- Never use the machine with a damaged mains lead, plug or extension lead that does not meet current standards. Unplug the machine immediately if any part is damaged.
- Switch off the chainsaw and let the chain come to a complete stop before adjusting the chain guard.

## English

- Always use safety gloves and safety goggles when using the chainsaw.
- To minimise the risk of accidents, wear safety footwear and appropriate clothing that will not get caught in the moving parts of the chainsaw.
- Use ear protection to protect your hearing. A helmet with ear defenders and visor is preferable.
- Make sure that you are standing steady and well balanced when using the chainsaw.
- Keep the work area clean and tidy.
- To prevent electric shock, avoid touching the earthed parts.
- Always unplug the chainsaw before cleaning or maintenance.
- Make sure that the power switch is set to OFF before plugging the machine into the wall socket.
- The chainsaw should only be operated by one person at a time. Keep bystanders out of the chainsaw's risk zone; take extra care to ensure that children and animals maintain a safe distance.
- Make sure that the saw chain is not in contact with any object before starting.
- Hold the chainsaw firmly in both hands when sawing.
- The chainsaw must not be used by minors, but persons aged 16 years or older may use the chainsaw under adult supervision if it is a part of their education. Only lend the chainsaw to people who have read the instruction manual and who know how to use a chainsaw. The instruction manual should always accompany the chainsaw if lent out.
- Store the chainsaw in a locked room out of the reach of children.
- The chainsaw is only to be used by people in a good state of health. Never operate the chainsaw when you are tired, drunk or under the influence of medicine etc. Have a rest if you feel tired whilst working.
- Do not expose the chainsaw to rain or moisture. Make sure that the work area is well lit. Never use the chainsaw in environments containing flammable liquids or gases.
- Make sure that the chainsaw is unplugged and placed out of the reach of children or bystanders, when taking a break.
- Always place the bark spike against the area to be sawed before starting to saw.
- Only remove the bar from the wood whilst the chain is still rotating.
- Never use the chainsaw whilst standing on a ladder, in a tree or anywhere incapable of providing a steady platform. Never saw using one hand, always hold the saw in both hands.
- The mains lead and extension lead must always be behind the operator.
- The mains lead must always be trailed out behind the chainsaw.
- Use only original parts and accessories.
- **Chainsaws used outdoors must be connected to a residual current device.**
- Do not overload your tools. They work better and safer within the limits of their capacity.
- Always use tools that are the correct size. Do not use lower powered chainsaws for heavy work.

# English

- Use the mains lead only for the purpose for which it is intended. Do not carry the chainsaw by its mains lead. Do not pull the mains lead, grip the plug when unplugging the chainsaw. Keep the mains lead from heat, oil and sharp objects.
- Use only extension leads designed for outdoor use when using the chainsaw outdoors.
- Make sure that the stock has adequate support when sawing processed timber, thin branches or logs (e.g a saw horse, see fig. a). Do not stack the timber, allow anyone else to hold the timber or hold the timber with your foot whilst sawing it.

fig. a



- Logs must be firmly supported when you saw them.
- When working on steep hillsides, always cut from the upper side of a fallen tree.
- When cross-cutting always rest the bark spike against the timber (see fig. b).
- Always rest the bark spike against the timber before sawing. Start the chainsaw and start sawing. Lift the rear of the chainsaw and direct the chainsaw using the front handle. Use the bark spike as a support. In order to change position whilst cutting, stop cutting and press lightly on the front handle. Withdraw the saw bar slightly, reposition the bark spike deeper in the cut and lift the rear handle upwards (see fig. b).
- Withdraw the bar from the cut in the timber whilst the saw chain is still moving.
- If you saw more than one cut, switch the saw off between cuts.
- Plunge sawing and horizontal sawing should only be attempted by professionals due to the high risk of kickback (see fig. c).
- When sawing horizontally, use the lowest possible angle. Great care should be exercised, as the bark spike cannot be used in this case.
- If the chain snags when sawing with the upper side of the bar, the chain can be thrown towards you. Therefore, you should saw using the underside of the bar as much as possible, as the chain will be thrown away from you (see fig. d & e).

fig. b

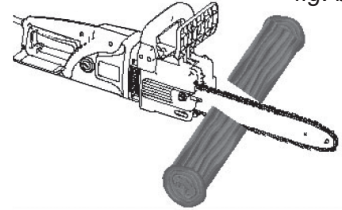


fig. c

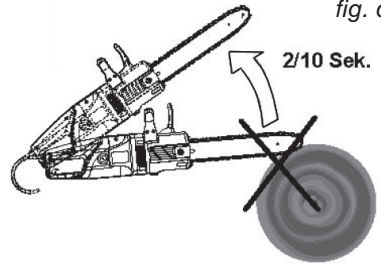


fig. d

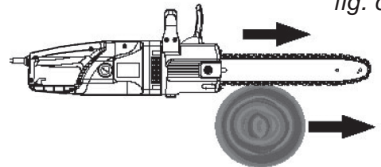
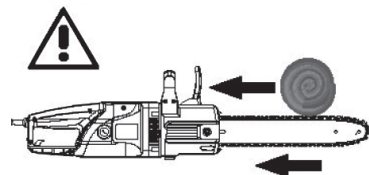


fig. e



**Risk of injury!**

## *English*

- Do not use the bar of the chainsaw for clearing away sawn off twigs.
- When sawing limbs off trees the chainsaw should be supported against the tree trunk if possible. Do not saw using the end of the bar, because this creates a risk of kickback (see fig. c).
- Tree limbs should only be removed by trained experts. Risk for Injury!
- Be extra vigilant with limbs under tension. Do not remove hanging limbs from below.
- Never stand on the tree trunk when removing limbs.
- The chainsaw should not be used for forestry work, i.e. felling and removing limbs in the forest. Owing to the fact that the chainsaw needs a supply of electricity, it does not have the required mobility and its safety cannot be guaranteed.
- Watch out for falling trees and keep out of their way.
- When a tree is felled, watch out for falling branches when stepping backwards.
- On slopes, always stand next to or upslope of the trunk or log, never below it.
- Watch out for timber rolling towards you, the chainsaw could kickback.
- The chainsaw can kickback if the tip of the saw bar unintentionally comes into contact with wood or other solid material. In this case the chainsaw could be thrown out of control at high speed, posing a risk to the operator.

### **Follow these safety instructions to prevent the saw bar from kicking back**

- Never start to saw with the tip of the bar.
- Never saw with the tip of the bar. Be careful when resuming work on previously started cuts.
- Always start the chainsaw so that the chain is moving before you start cutting.
- Keep the chainsaw sharp and correctly ground (use a file gauge if you can't file freehand or take the chain to professionals for sharpening).
- Never saw into more than one branch at a time, make sure that you do not saw more than one branch at a time.
- When bucking, be careful when several tree trunks are lying close together. Use a saw horse if possible.

### **Transporting and Handling the Chainsaw**

Pull out the plug and cover the bar with the scabbard before transporting the chainsaw. Switch the saw off when it has been lifted out of a cut, if you are going to make several cuts.



Description

Fig. 1

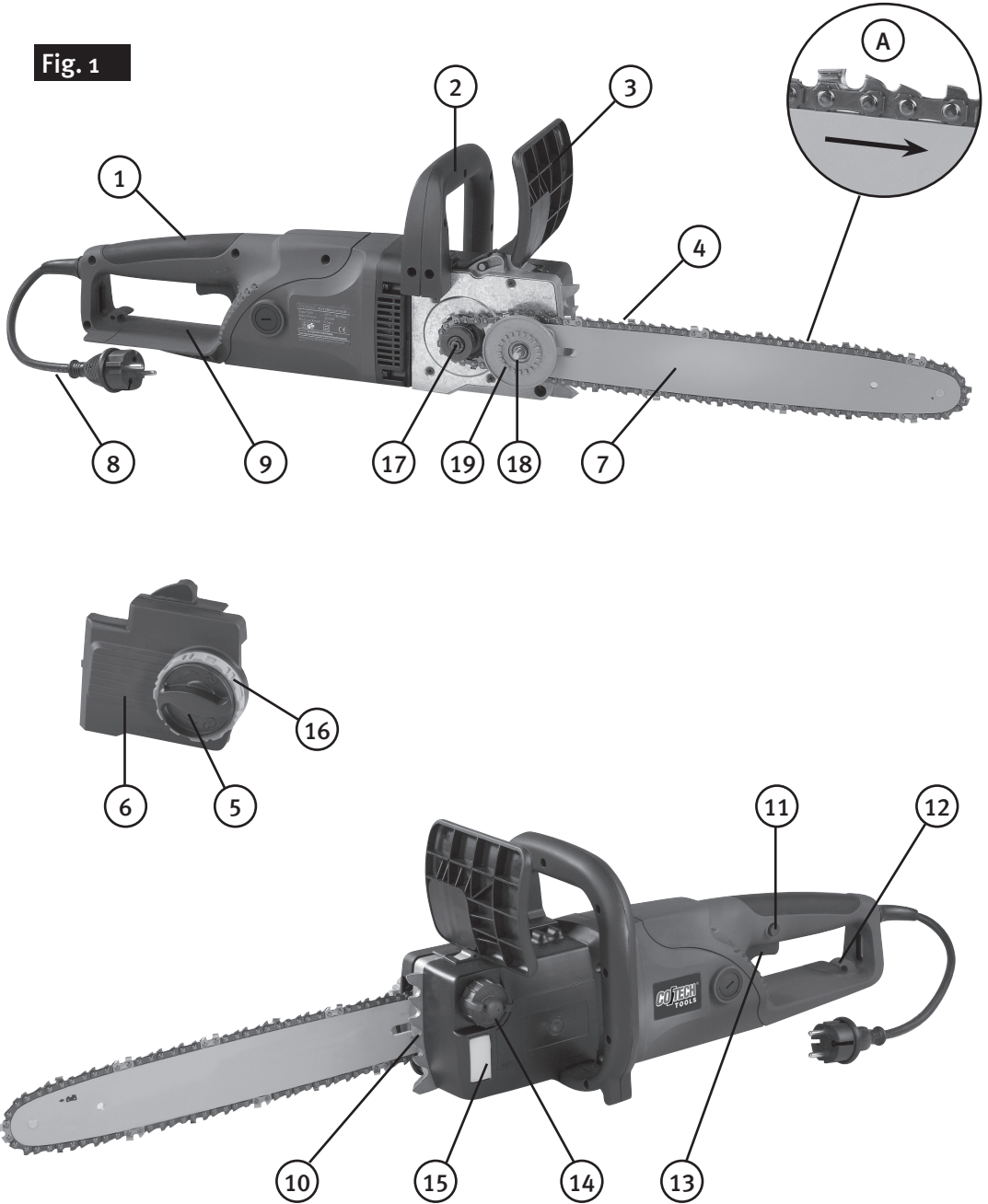
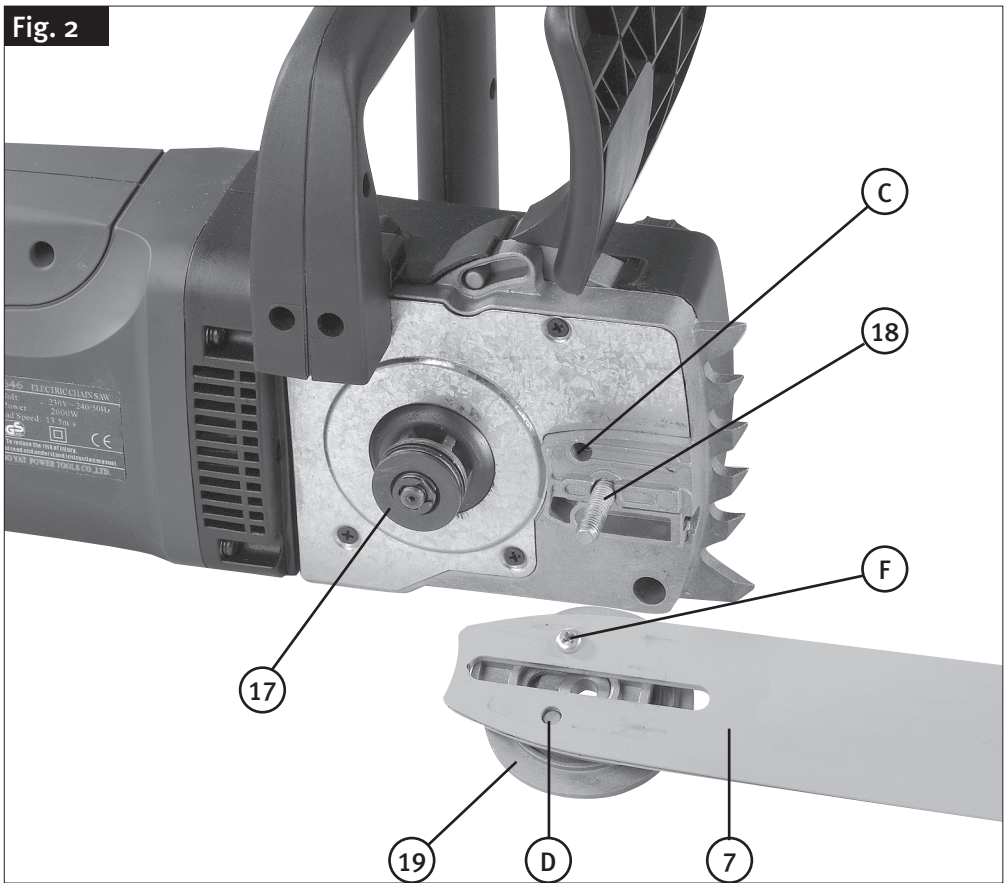


Fig. 2



- |  |   |
|--|---|
| 1. Rear handle                             | 12. Cord holder                         |
| 2. Front handle                            | 13. Power switch                        |
| 3. Kickback guard/trigging of chain brake  | 14. Oil tank lid                        |
| 4. Saw chain                               | 15. Oil tank/Sight glass                |
| 5. Locking dial for guide bar              | 16. Chain tightening wrench             |
| 6. Chain drive hood                        | 17. Chain drive                         |
| 7. Guide bar                               | 18. Guide bolt                          |
| 8. Electric cable                          | 19. Tightening wheel to chain gear      |
| 9. Rear finger protection/chain brake hood | 20. Refilling of chain oil (see fig. 7) |
| 10. Spike bar                              |   |
| 11. Safety lock                            |   |

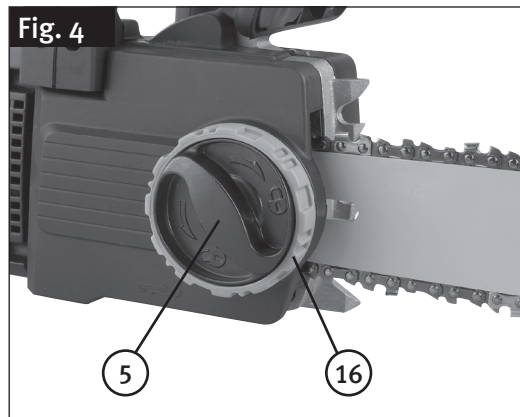
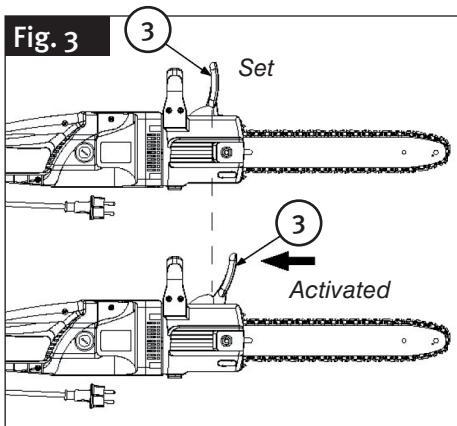
## Preparations before starting

Make sure the power voltage indicated on the chain saw's rating plate is the same as the voltage at the power point. Always check before starting that the chainsaw is undamaged and is safe to use. Also check that chain lubrication is functioning and that there is chain oil in the tank (see fig. 4). Refill chain oil as soon as the oil level has gone down to the **MIN** level. When the oil level is above this level chain lubrication works well. Check chain lubrication as follows: stop the chainsaw and hold the guide approximately 20 cm above a piece of wood or other lightly coloured object. If lubrication is functioning properly, the oil will splash from the chain and be seen on the lightly coloured object. If no traces of oil are seen you should clean the outflow hole (fig. 2, C) and the upper tightening hole in the guide (Fig. 2, E), or contact the retailer or service station for advice or servicing. (Read section "refilling of chain oil and chain lubrication"). Check the tension of the chain and adjust when necessary (read section "Chain tightening"). Check that the kick back guard/chain brake is functioning (read section "Reset kickback guard/Chain brake").

## Mounting of guide and saw chain

The plug must be removed from the socket.

**Important: The kick back guard (3) to the chain brake must be in its rear setting (see fig. 3).**



The guide and chainsaw are not assembled on delivery. The chainsaw has a new type of setting for chain tightening and locking of the saw guide consisting of two parts:

### A. A combined tightening/locking wheel which is assembled on the chain hood.

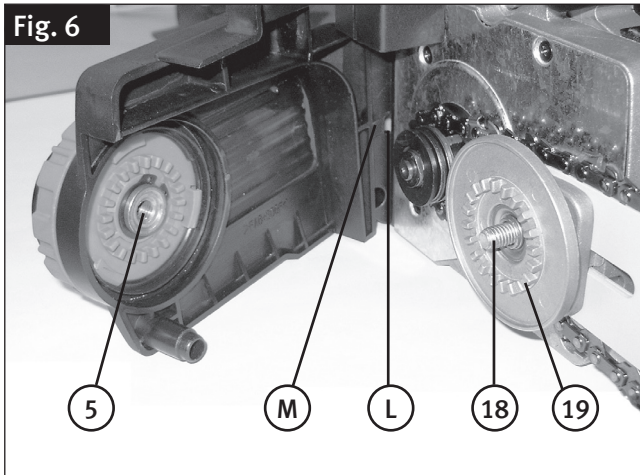
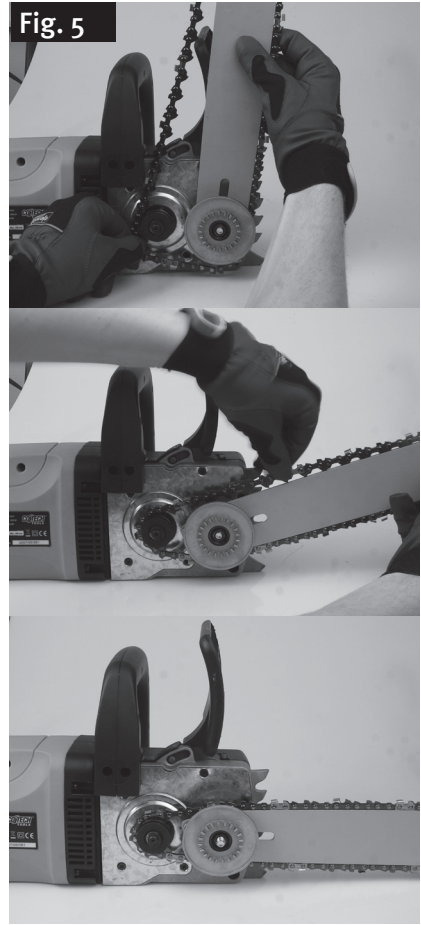
The tightening/locking wheel consists of two different parts: a black central dial (5) for locking the guide (and locking of the setting for chain tension) and an outer dial (16) for setting the chain tension (see fig. 4).

### B. A tightening wheel for chain tightening is mounted on the guide.

The tightening wheel (19) is mounted on the guide with a screw (F) through the lower hole and a guiding pin in the upper hole (D) on the guide (see fig. 5).

## Mount the saw guide and saw chain as follows

1. Turn the chain bar locking knob (5) anticlockwise and remove the chain drive gear cover (6).
2. Fit the chain onto the chain bar, making sure that it is the right way round.
3. Pass the chain bar over the chain bar bolt and point the bar with the chain on it straight up.
4. Pass the chain over the drive gear.
5. Fold the chain bar back down, making sure that the chain sits in the track of the bar and on the teeth of the drive gear.
6. Now mount the chain drive (6) by inserting the gauge (M) on the rear edge of the hood (L) in the saw and then fold the hood so that the centre dial (5) rests against the guide bolt (18). Turn the black centre dial (5) clockwise so that it threads onto the guide bolt. Now tighten the chain by turning the outer dial clockwise (16). (The inner dial (5) is only for locking the guide and the outer dial (16) for tightening the chain).



7. Check the tightness of the chain: the saw chain should be able to be lifted approximately 5 mm in the middle of the guide when the tension of the chain is correct. Adjust when necessary: Loosen the black centre dial on the tightening/locking wheel a little; adjust the tension of the chain by turning the outer wheel; tighten the black centre dial to lock the guide thus fixing the chain's set tension.

## Chain tightening

**Always remove the cable plug from the socket before servicing and adjusting the chain saw!**

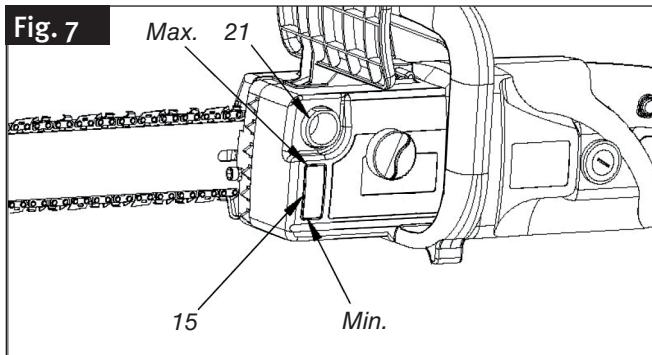
**Use protective gloves!**

### Adjusting the chain tightness

1. Check the tension of the chain first: the saw chain should be able to be lifted approximately 5 mm in the middle of the guide when the tension of the chain is correct.
2. Loosen the black centre dial (5) on the tightening/locking wheel a little; adjust the tightness of the chain by turning the outer wheel (16).
3. Tighten the black centre dial in order to lock the guide, thus fixing the set chain tension (before tightening check that the saw chain is correctly positioned in the drive wheel and sprocket around the entire guide).

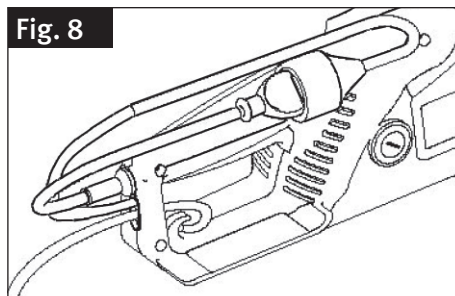
### Refilling the chain oil

Clean the oil lid before opening in order to prevent dirt getting into the oil tank. Unscrew the lid and fill with chain oil; the oil level can be seen in the oil tank (15) beneath the filling hole. Fill up, and then screw tightly so that it is secure. Wipe off any spills.



### Fastening the extension cable to the chain saw

Only use extension cables intended for outdoor use (at least 1.5 mm<sup>2</sup>, maximum of 75 metres long). Fasten the extension cable around the rear handle as shown in the picture. If an extension cable is longer than 30 m is used, there may be voltage drop causing the chainsaw to perform poorly.



## Chain lubrication

The saw chain and saw guide must be lubricated during operation in order to avoid major wear and tear. Chain lubrication is automatic. Never use the chainsaw without a functioning lubrication. Both the saw guide and saw chain can be damaged very quickly without lubrication; that is why it is important to check the chain lubrication function and oil tank level with every use (fig. 7)

Never use a chainsaw if the oil level is under **MIN**.

- **Min:** When the oil level is under **MIN** or 5 mm at the lower part of the window in the oil tank (15), fill up with chain oil.
- **Max:** Fill with chain oil until the whole window is full.

## Checking chain lubrication

Check the lubrication of the chain as follows: start the chainsaw and hold the guide approximately 20 cm above a piece of wood or other lightly coloured object. If the lubrication is functioning properly, the oil will splash from the chain and be seen on the lightly coloured object. If no traces of oil are seen you should clean the outflow hole (C) and the upper tension hole in the guide (D), see fig. 2, or contact the retailer or service station. Be careful not to allow the chainsaw to touch the ground during testing.

## Chain oil

The life expectancy of the chain guide and saw chain depends on which chain oil is used. Only use chain oil and never spilloil etc. Use environmentally friendly types of chain oil, store the chain oil in a container designed for chain oil.

## Saw guide

The saw guide (7) wears down the most on the tip and on the underside; turn the guide, when the chain is being sharpened so that it wears on both sides. File away eventual burrs on the saw guide with a flat file.

## Chain drive

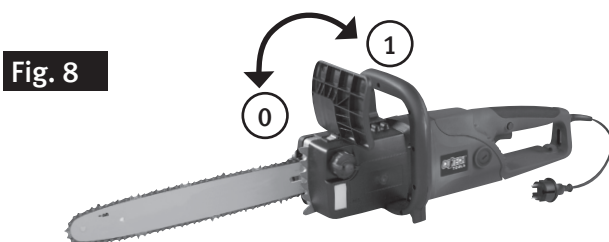
The chain drive (17) is subject to extreme wear; check for marks, wear or disfigurement. Replace chain if required. Be warned, the chain drive will wear down a new saw chain quickly. Contact the retailer service station to replace the chain drive.

## Guide guard

Put back the guide guard straight away when you have finished sawing and always when the chainsaw is to be stored or transported.

## Kick back guard/chain brake

In the event of kick back from the saw guide the chain brake will be activated by the kick back guard (3) by being pushed forward by the handle switching the motor off in 0.15 of a second (fig. 3).



## Testing the kick back guard

**Warning! The chain brake must be checked before every use.**

Firmly hold the chainsaw with both hands. Start up and fold down the kick back guard (to “0”) towards the chain brake with the handle; the saw chain should stop immediately.

## Resetting the kick back guard/chain brake

The chain brake must be reset before the chainsaw can be started again: turn off the chainsaw (release switch), push the kick back guard (3) back until it locks in its rear position (fig. 3). The chain break’s guard function has now been reset.

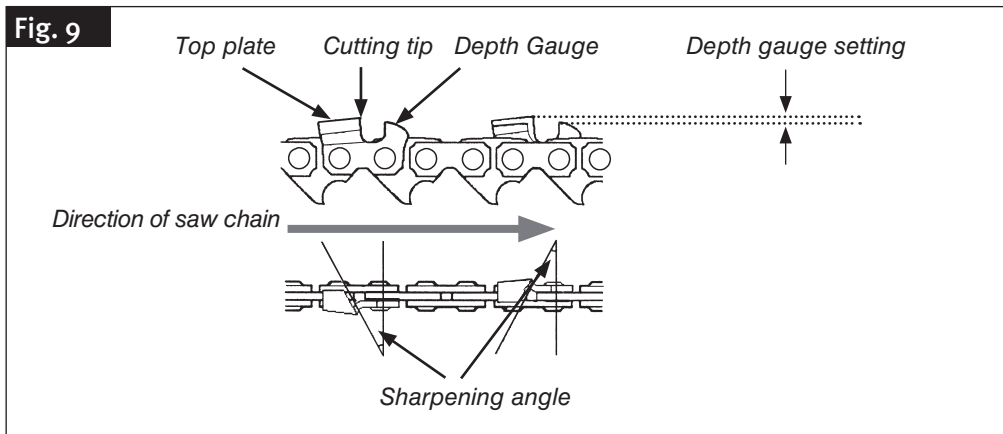
## Sharpening of the saw chain

When the saw chain becomes blunt and no longer cuts efficiently and safely, it must either be replaced or sharpened (filed).

**Attention!** It is easier to sharpen the saw chain with a kind of “filing gauge” which can be purchased at most hardware stores. Read the instructions for the filing gauge before use.

**File the chain as follows:**

- Pull the plug from the socket.
- Put on protective gloves.
- Check that the chain tension is adequate.
- Push be chain break’s trigger handle (kick back guard) forward in order to fasten the saw chain to the guard.
- Use a  $\varnothing$  4mm round file.
- File horizontally against the guide at an angle of  $38^\circ$  in the direction of the chain.



- File every cutting tip outwards/forwards in the direction of the chain.
- File every cutting tip evenly on each one so that the saw chain is symmetrically filed
- Check the height of the depth gauges every fifth file. If the depth gauges need filing a flat file is to be used and it is important that the original profile is maintained.
- Measure the height of the depth gauges (depth gauge setting) after filing, which can be purchased at most hardware stores.

## Begin using the chainsaw

**Always use protective goggles/visors, hearing protection, protective gloves and protective clothing with a saw guard.**

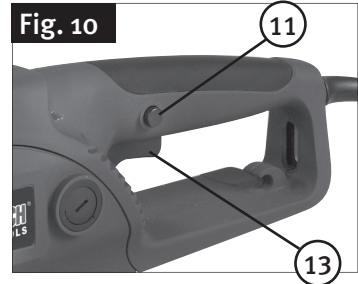
Only use extension cables with sufficient conductor area intended for outdoor use (at least 1.5 mm<sup>2</sup>, maximum of 75 metres long). The chainsaw is equipped with safety lock: safety lock and power switch are on the rear handle (1). These must be pressed down at the same time to start the chainsaw. The chainsaw must be held securely by both handles on starting.

If the motor does not start, the kick back guard/chain brake must be reset: push back the kick back guard (3) see: **Chain brake, Reset chain brake (fig. 3)**

The chainsaw starts immediately at full velocity.

**Turn the chainsaw off as follows:** release the safety lock (13) and power switch (11), and the chainsaw will stop after approximately one second. Some vibration is quite normal and safe.

**To always be followed after completed work:** clean the saw chain and saw guide and put back the guide guard.



### Safety precautions for chainsaw

**Never use the chainsaw in rain or when very damp.**

**Remove plug straight away if the extension cable is damaged; do not touch the cable, only hold the plug! Never work using a damaged extension cable.**

Check that the chainsaw is undamaged. Also check that the chainsaw's guard and safety settings are functioning or whether any other parts are damaged before using the saw. Make sure that all movable parts are movable and are fully functional. All parts must be correctly mounted and must meet all the requirements ensuring that the chainsaw will function without risk to the user. Damaged safety components and other parts must be repaired or replaced by a service technician, unless indicated otherwise in the manual.

### To consider when working with the chainsaw:

#### **Kick back with the guide:**

Avoid risk of accident by never sawing using the tip of the guide. If you saw with the tip, the guide may suddenly kick back upwards/backwards with great force.

Always use protective goggles/visors, hearing protection, protective gloves, protective clothing and shoes with saw guards.

Make sure the wood you saw is held down firmly. Keep it in place with some type of clamp when needed (in particular this applies to round and straight pieces of wood that may begin to rotate while sawing). This also allows the use of both hands which makes it easier and safer to use the chainsaw.

Kick back with the guide causes the saw to kick back upwards/backwards uncontrollably with great force. Kick back often leads to the saw chain becoming blunt and weak. A blunt saw chain increases the risk of kick back. Never use the chainsaw over your shoulder.

The chain saw's sharpening/filing is a very important safety measure; an incorrectly sharpened saw chain may make the saw chain dangerous and uncomfortable to use!



## Tips on using chainsaw

### Sawing firewood

Follow these safety rules when sawing firewood: make sure the wood is safely positioned so that it cannot slide/roll during sawing. Try to fasten smaller pieces of wood. Only use the chainsaw for sawing wood. Make sure that no stones, nails or other objects that can be thrown around or damage the saw chain are near the chainsaw during sawing. Do not allow the saw chain to touch the ground, barbed wire etc when sawing. Make sure that the guide does not get caught in twigs; only saw twigs, one at a time. Make sure you are standing straight; wear protective shoes with slip-proof soles. The chainsaw should always be switched off when being moved. Do not hold your hand over the switch enabling the saw to start up involuntarily if you should trip over anything.

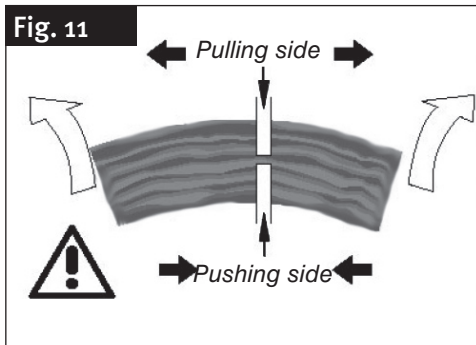
### To remember

- The chainsaw must be started first so that the saw chain is in motion when the saw guide is placed against the log.
- Start the chainsaw by pressing the power switch and safety lock on the rear handle (1). These must be pressed at the same time in order to start the chainsaw.
- Place the lower part of the spike bar (10) on the wood and begin sawing. Pull back the chainsaw a little and move it so that the wood is higher up on the spike bar and continue sawing.
- Be careful when sawing wood that is cracked or split as sharp splinters may be thrown about.

### Sawing clamped-down wood

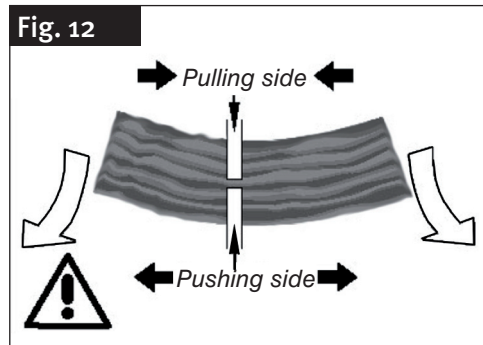
**Warning! Be careful when handling wood that has been clamped down.**

Check the incline of the wood before you begin sawing. If you saw on the side of the log which has pushing forces the saw may get stuck. If you saw on the side with the pulling forces, the log may split.



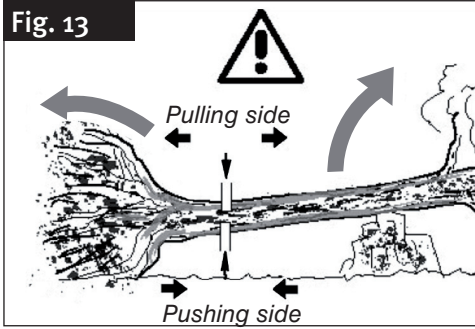
The upper side is loaded with pulling forces and the underside with pushing forces.

**Warning:** The wood will split when sawn.



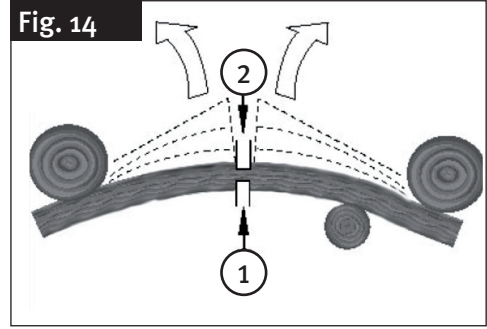
The underside is loaded with pulling forces and the upper side with pushing forces.

**Warning:** The wood will strike downwards when sawn.



The upper side is loaded with pulling forces and the underside with pushing forces.

**Warning:** The tree trunks quickly strike upwards, with great force and twists when sawn. The uprooted stump may tip backwards or forwards. Be very careful in this event!



Both sides are loaded with pushing forces.

**Warning:** The tree trunks may shoot out the side when sawn. Be very careful in this event!

### Tree felling

The chainsaw is not meant for tree felling but for sawing above all. On occasion, however, it may be used for felling smaller trees. Ask somebody who is used to handling motor saws if you are the slightest bit unsure as to how the chainsaw should be used or about its working methods.

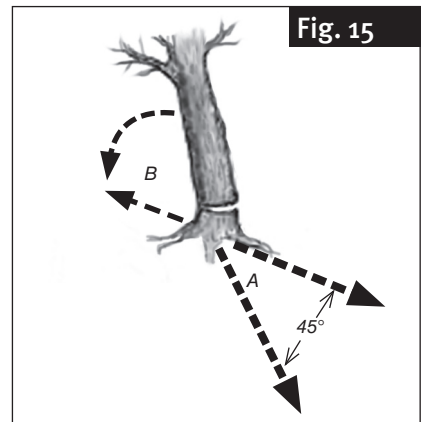
Protective equipment should always be used when working in the woods: Helmets fitted with hearing protection, and visors, trousers with saw protection, boots or shoes with saw protection, and of course a "First Aid kit".

- Small trees can often be felled by sawing through almost the entire trunk and by pushing it in the right direction with your hands or shoulder (do not saw the whole way through, save part of the trunk to use as a hinge.)
- Large trees require an undercut; the undercut determines the tree's direction of fall.

**Warning!** Always make sure that you have an exit prepared. Remove objects in the way such as bushes and twigs before felling begins. The best retreat exit (A) is a diagonal one backwards in the direction of the fall. (B) (Fig 15)

**Warning!** Make sure you stand above the tree if the ground leans during a tree felling, as it is more likely that the tree will slide downwards or roll downwards after felling.

**Attention!** The direction of the tree's fall (B) is determined by the undercut. Before felling, check whether the tree is leaning in any direction, or if the twigs are much larger on one side of the tree so that the tree has a natural direction of fall.



# English

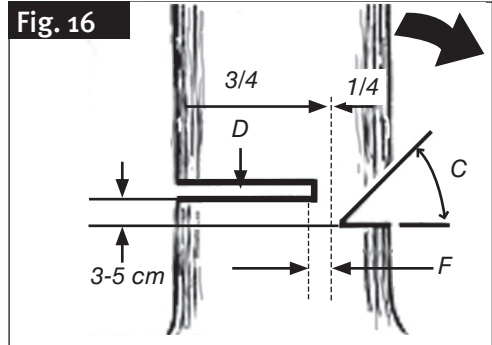
Warning! Never fell a tree by yourself if there is a risk of something being damaged such as a house, enclosure etc. Ask the assistance of a professional. Never fell trees near electric power lines or telephone lines. Check that there are no spectators or pets nearby before you begin sawing; look up from time to time to check that nobody is entering the risk zone.

Normal tree felling consists of two stages of sawing: undercutting (C) and fell cutting (D).

Start with the upper undercut (C) on the side of the tree turned in the direction of the fall (E). Then perform the lower undercut horizontally, so that it meets the upper undercut (do not saw too far). The cuts should be broad enough so that the tree may be guided as much as possible during the fall.

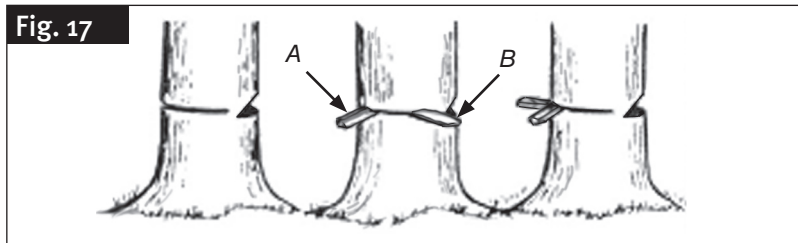
**Warning! Never walk in front of the tree you have made a cut in!**

Perform the felling (D) from the other side of the tree and 3 to 5 cm above the lower cut.

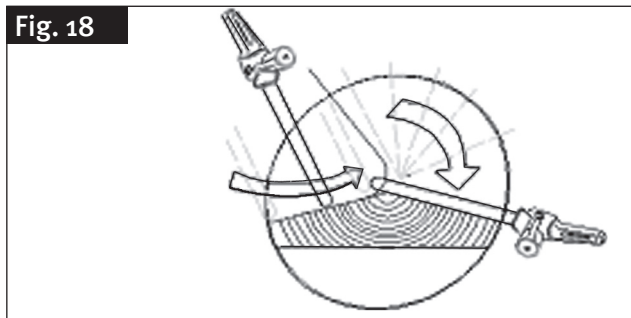


NEVER saw through the remaining trunk completely. ALWAYS leave a stump (F), as it is the stump that guides the tree during the fall. If the tree is sawn through completely you will lose control over the direction of the fall, and the tree may fall in any direction. Insert a felling wedge or break-iron in the felling cuts before sawing is complete. If you saw the entire felling cuts before the felling wedge or break-iron have been positioned in the saw notch the tree may lean backwards and clamp the guide. With the help of a felling wedge or break-iron, check that there are no spectators or pets within the risk zone.

**Warning! Check that there are no spectators or pets within the risk zone before you make your first cut.**



1. Use timber compasses from plastic or wood (A) in order to prevent the guide (B) getting stuck in the saw cut (fig. 17).
2. If the tree's diameter is greater than the length of the guide, you will have to make two cuts (fig. 18)



## English

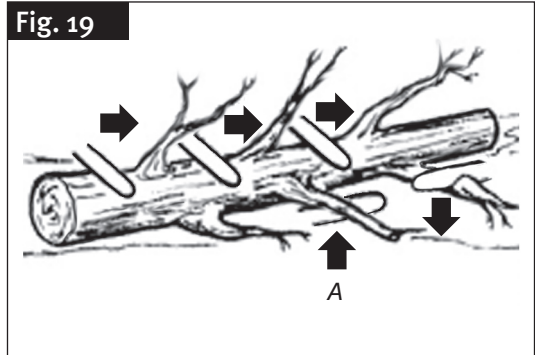
**Warning! When the felling cut (D) has been made and only the stump (F) remains, the tree can begin to be felled. Otherwise, you must use a felling wedge or timber compass in order to help you.**

Remove the chainsaw and turn off the motor and take a few steps back diagonally along your retreat exit keeping an eye on the tree as it falls (see fig. 15).

### Trimming

Trimming means sawing off twigs on a tree that is lying on the ground. Begin by sawing off the twigs highest up on the tree. Stand on one side of the tree trunk and trim on the other side of the trunk (and that way you'll have the tree trunk as protection between you and the chainsaw). Be careful when sawing twigs that are fastened; they must be sawn from the right side, otherwise the guide will get stuck.

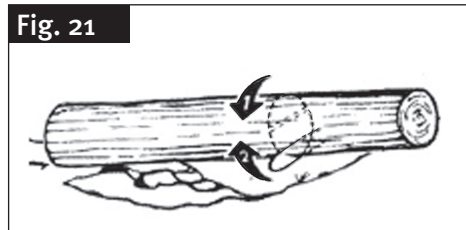
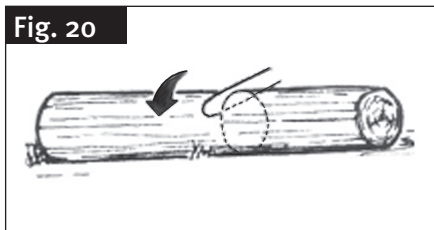
**Warning! Never stand on the tree trunk when trimming.**



### Sawing

When sawing, tree trunks lying on the ground are sawn to another length. Make sure that you are standing steady and balanced. If the ground leans, you should stand above the trunk when sawing. Preferably, the tree trunks should be leaning up against something so that they are not directly lying on the ground, which would increase the likelihood of sawing into the ground and blunting the saw chain. If the tree trunk is supported at both ends you must begin by dividing it in the middle. Begin by sawing through half the log from above. Then make a connecting cut underneath. Otherwise, the guide may get stuck. Make sure the saw chain does not touch the ground.

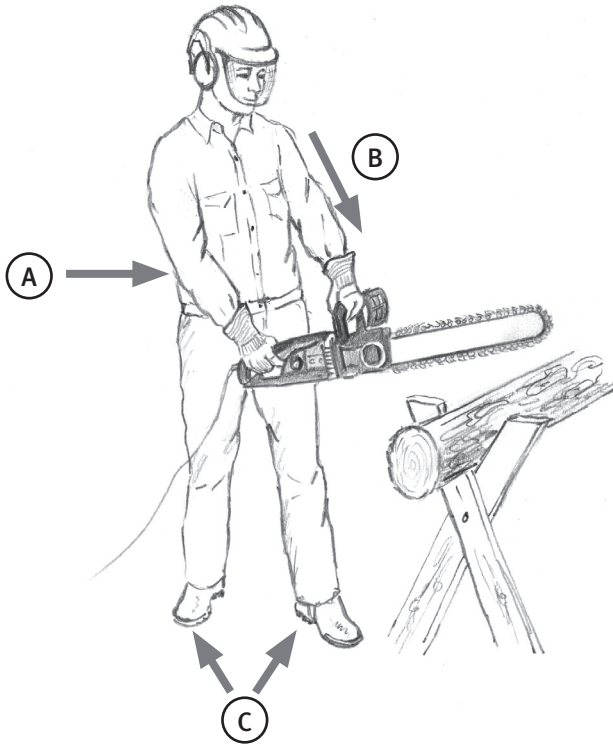
1. A tree trunk that has support under the whole length: saw from above first, then roll the tree trunk and make a connecting cut from above (fig. 22).
2. A tree trunk that is supported at one end (e.g. if the tree trunk is lying in a sawhorse): Saw from underneath first (one third of the diameter to avoid splitting) and make a connecting cut from above.
3. A tree trunk, supported at both ends: saw from above first (one third of the diameter to avoid splitting) and make a connecting cut from underneath (fig. 21).



**Attention:** the best way of sawing is with support, preferably using a sawhorse; unless it is not possible, and the tree trunk can be held upright with something else. Make sure that the tree trunk is lying securely so that it cannot roll or fall down.

## Sawing with the assistance of a sawhorse

- A. Hold the chainsaw steadily with both hands on your right hand side when sawing.
- B. Keep your left arm as straight as possible.
- C. Stand upright up with your weight distributed evenly on both feet.



## Cleaning and maintenance

### **Always remove the plug from the socket before servicing or adjusting chainsaw**

Always keep the motor's cooling vents free from shavings and dirt. Service and adjustment as mentioned in the manual may be performed. Any other repairs/adjustments should be carried out by service technicians. The product may not be altered or used in any other way than indicated here as it could undermine safety when working with the chainsaw.

## Storage

When not in use, store the chainsaw on a clean, dry and flat surface; locked away or beyond the reach of children.

## Disposal

Follow local ordinances when disposing of this product. If you are unsure about how to dispose of this product contact your municipality.



## Troubleshooting

Problem	Cause	Solution
The motor won't start	No power	Check the wall socket, cable, plug
		Damaged cable: replace, never use a damaged cable
		Damaged switch, must be replaced by service technician
	The kick guard/chain brake was triggered	See "resetting kick guard/chain brake (Fig. 5)"
	Worn carbon brushes	Allow the service technician to replace the electric brushes
The chain is not moving	The kick guard/chain brake was triggered	See "resetting kick guard/chain brake (Fig. 3)"
Poor capacity	Incorrectly mounted saw chain	Back-to-front saw chain, check direction
	Blunt saw chain	Sharpen saw chain
	Chain tension	Check the tension of the saw chain
The chainsaw, performing poorly, the chain keeps falling off	Chain tension	Check the tension of the saw chain
The chainsaw gets hot	Chain lubrication	Check oil level
		Check chain lubrication

## Technical data

Type:	YT4646 / YT4646-UK
Output:	2000 W
Revs (unhindered):	7600 rpm
Voltage level:	230 V~, 50 Hz
Cutting speed (unhindered):	13.5 m/second
Maximum sawing depth:	35 cm
Weight (without guide or chain):	4.8 kg
Guaranteed noise level (LwA):	105 dB (A)
Measured noise level (LwA):	103 dB (A)
Sound pressure (LpA):	93 dB (A)
Vibration level:	5.32 m/s <sup>2</sup>
Volume oil container:	110 ml
Saw chain:	3/8 with 52 driver links
Saw guide:	35 cm (14")

# El-kedjesåg 2000 W

ART.NR: 18-3039    MODELL: YT4646-UK  
30-9288                    YT4646

Läs hela bruksanvisningen innan du använder produkten och spara den för framtida bruk. Vi reserverar oss för ev. text- och bildfel samt ändringar av tekniska data. Vid tekniska problem eller andra frågor kan Du kontakta oss (se adresserna på baksidan).

**Varning! När du använder elektriska handverktyg ska alltid följande generella säkerhetsregler följas, för att undvika brandfara, elektrisk chock och personskada.**

**Dra alltid ut nätsladdens stickpropp ur el-uttaget innan service och justering av produkten!**

## Generella säkerhetsregler för din och andras säkerhet

1. Håll arbetsutrymmet rent!  
Belamrade ytor och bord inbjuder till olyckor.
2. Använd inte maskinen i riskfylld miljö!  
Elmaskiner skall inte användas på fuktiga, våta ytor eller vid regn. Se till att belysningen är god i arbetsutrymmet. Sörj för god luftväxling vid dammande arbeten. Använd aldrig elektriska maskiner/verktyg där de kan förorsaka brand eller explosion!
3. Undvik elektrisk chock!  
Undvik kroppskontakt med jordade föremål som vattenledning, element, köksspis etc. samtidigt som du använder el-maskiner/verktyg.
4. Håll undan barn och besökare!  
Alla barn och besökare bör befinna sig på säkerhetsavstånd från el-maskiner/verktyg eller elkablar i arbetsutrymmet.
5. Förvara maskinerna barnsäkert!  
Förvara el-maskiner/verktyg inlåsta eller utom räckhåll för barn när de inte används!
6. Pressa inte maskinen!  
Den gör jobbet bättre och säkrare med avsedd matningshastighet.
7. Använd rätt verktyg!  
Pressa inte ett verktyg eller en tillsats att göra ett arbetsmoment som den inte är gjord för.
8. Bär lämplig klädsel!  
Inga löst sittande kläder, vantar, halsband, ringar, armband eller andra smycken som kan fastna i roterande delar. Halksäkra skor rekommenderas. Bär hårnät (motsv.) om du har långt hår.
9. Bär alltid skyddsglasögon!  
Bär alltid skyddsglasögon, vanliga glasögon räcker inte! Använd också dammfilter eller skyddsmask vid dammande arbeten.
10. Använd utsug!  
Använd utsugningsutrustning för att ta bort och samla damm och spån, om maskinen är avsedd för det, se till att utrustningen används på rätt sätt och töms vid behov.

## Svenska

11. Misshandla inte nätsladden!  
Bär aldrig maskinen i nätsladden. Ryck inte i sladden, utan dra i stickproppen när du bryter strömmen. Se till att nätsladden inte kommer i kontakt med värme, olja eller vassa kanter.
12. Sätt fast ämnet ordentligt!  
Använd tvingar eller skruvstycke där det går, då kan du hantera verktyget med två händer. Det är säkrare än att hålla fast ämnet med ena handen.
13. Sträck dig inte för långt!  
Se till att du hela tiden står säkert med god balans.
14. Håll verktygen i trim!  
Se till att de är rena och eggarna vassa för optimal effekt och ett säkert resultat. Följ manualens rekommendationer för smörjning och byte av tillbehör. Kontrollera nätsladden regelbundet, om den är skadad ska den bytas av en kvalificerad servicetekniker. Syna alla skarvsladdar regelbundet så att de inte är skadade. Se till att maskinens/verktygets handtag och reglage är torra, rena och helt fria från olja, fett etc.
15. Slå av strömmen!  
Dra ur stickproppen och tryck in nödstopp, före service och vid byte av tillbehör som hyvelstål, borrar, skär, slipband eller blad.
16. Ta bort alla nycklar och serviceverktyg!  
Gör det till en vana att kontrollera att alla nycklar och serviceverktyg är borttagna från maskinen innan du slår på strömmen.
17. Undvik oavsiktlig start!  
Bär inte ett verktyg med ett finger på strömbrytaren/avtryckaren om sladden sitter i ett uttag. Se till att strömbrytaren står på OFF när du sätter in stickproppen.
18. Använd rätt skarvsladdar!  
Om du använder skarvsladdar utomhus, använd endast de som är avsedda för utomhusbruk. Använd skarvsladdar med tillräcklig ledararea, rulla ut hela sladden!
19. Använd sunt förnuft och var försiktig!  
Tänk efter innan du utför ett arbetsmoment, så att du kan utföra det på ett säkert sätt! Använd inte maskinen/verktyget när du är trött, påverkad av mediciner etc.
20. Kontrollera att alla delar är oskadade!  
Kontrollera innan du startar verktyget: att alla skydd och övriga delar är oskadade och fyller sin funktion, att rörliga delar kan rotera fritt och är rätt inriktade, att inga rörliga delar kan fastna, att ingen defekt uppstått och andra omständigheter som kan påverka arbetets utförande. Ett skydd eller någon annan del som skadats, skall repareras fackmässigt eller bytas ut. Skadade nätsladdar och strömbrytare ska alltid bytas ut av fackman. Använd aldrig verktyget om du inte kan stänga av eller starta det på ett betryggande sätt.
21. Använd rekommenderade tillbehör!  
Användning av ej rekommenderade tillbehör kan vålla olyckor eller risk för personskada.
22. Repareras endast av kvalificerad tekniker!  
Verktyget överensstämmer med gällande säkerhetskrav. Reparationer av verktyget ska alltid utföras av fackman, med originalreservdelar, annars kan verktyget vålla olyckor eller risk för personskada.
23. El-verktyg bör anslutas till elnätet via en jordfelsbrytare för personskydd! Produkten får inte ändras eller användas till arbetsmoment som den inte är avsedd för! Kontrollera regelbundet att alla skruvar och muttrar är ordentligt åtdragna!



## Produktmärkning med säkerhetssymboler på maskinen



Varning!



Dra ur stickproppen direkt om skarvsladden skadas, rör inte sladden, håll endast i stickproppen!



Skydda maskinen mot regn och fukt



Läs bruksanvisningen!  
Läs hela bruksanvisningen, följ säkerhetsreglerna och beakta varningarna.



Använd skyddshjälm, skyddsglasögon/visir och hörselskydd.



Stäng av maskinen och dra ut nätsladdens stickpropp ur eluttaget när inte maskinen används och före rengöring och service!

## Särskilda säkerhetsanvisningar för kedjesåg

### Säkerhetsföreskrifter

Säkerhetsföreskrifterna ska beaktas när kedjesågen används. För din egen och andras säkerhet, läs denna information noga innan du använder kedjesågen och behåll den som referens för senare bruk. Använd endast kedjesågen för att såga i trä eller föremål av trä. All annan användning sker på egen risk och kan vara farlig. Tillverkaren kan ej hållas ansvarig för skador som sker på grund av otillbörlig användning.

### Säkerhetsföreskrifter och förebyggande av skada

För att förebygga otillbörlig användning av kedjesågen, läs hela bruksanvisningen innan du använder kedjesågen för första gången. All information om användningen av kedjesågen är relevant för din personliga säkerhet.

Låt en professionell användare visa hur man använder kedjesågen och skyddsutrustningen innan du använder den själv för första gången! Börja med att kapa virke i en sågbock för att bekanta dig med kedjesågen innan du övergår till svårare arbetsuppgifter.

- Innan du ansluter kedjesågen till vägguttaget, kontrollera nätsladd och stickpropp beträffande skador och slitage. Skadad nätkabel skall genast bytas av yrkesman.
- Använd aldrig maskinen med skadad nätsladd, stickpropp eller skarvsladd som inte möter gällande krav. Dra genast ur stickproppen om någon del är skadad.
- Stäng av kedjesågen och låt sågkedjan stanna helt innan du återställer kastskyddet.

## Svenska

- Använd alltid skyddshandskar och skyddsglasögon vid all användning av kedjesågen.
- För att förebygga olycksfall, använd åtsittande kläder som inte kan fastna i sågens roterande delar, samt skyddsskor.
- Använd hörselskydd för att skydda din hörsel. Skyddshjälm med hörselskydd och visir är att föredra.
- Se till att du står stadigt med god balans när du arbetar med kedjesågen.
- Håll arbetsplatsen ren och välstädad.
- För att förhindra elektrisk chock, undvik kontakt med de jordade delarna.
- Dra alltid ur stickproppen före service eller rengöring av kedjesågen.
- Se till att strömbrytaren är i avstängt läge innan stickproppen ansluts till ett vägguttag.
- Kedjesågen får endast användas av en person i taget. Se till att åskådare håller sig utanför kedjesågens riskområde, var speciellt uppmärksam på att barn och husdjur håller sig på betryggande avstånd.
- Kontrollera före start att sågkedjan inte har kontakt med något föremål.
- Håll i kedjesågen stadigt med båda händerna vid användning.
- Kedjesågen får inte användas av minderåriga, men ungdomar som är minst 16 år får använda kedjesågen under tillsyn av vuxen om det ingår som en del av deras utbildning. Låna endast ut kedjesågen till personer som har läst bruksanvisningen och som är van att använda kedjesåg. Lämna alltid med bruksanvisningen vid utlåning av kedjesågen.
- Se till att kedjesågen förvaras inlåst utom räckhåll för barn.
- Kedjesågen får endast användas av personer med god hälsa. Använd inte kedjesågen när du är trött, berusad eller påverkad av mediciner etc. Ta en paus om du börjar känna dig trött under arbetet.
- Utsätt inte kedjesågen för regn eller fukt. Se till att arbetsplatsen är väl upplyst. Använd aldrig kedjesågen i miljöer som innehåller brännbara vätskor eller gaser.
- Se till att kedjesågen placeras utom räckhåll för barn eller besökare med stickproppen urdragen om du gör uppehåll i arbetet.
- Sätt alltid barkstödet mot det som ska sågas innan sågningen påbörjas.
- Tag bort svärdet från trästycket endast medan sågkedjan fortfarande rör sig.
- Använd aldrig kedjesågen om du står på en stege, i ett träd eller på någon annan plats där du inte kan ha god balans. Såga aldrig med bara en hand, utan håll i kedjesågen med båda händerna.
- Nätsladden och skarvsladden måste alltid vara bakom användaren.
- Nätsladden måste alltid ledas ut bakåt från kedjesågen.
- Använd endast originaltillbehör.
- **Kedjesågar som används utomhus måste vara anslutna till jordfelsbrytare.**
- Överbelasta inte dina verktyg. De fungerar bäst och säkrast inom ett givet kapacitetsområde.
- Använd alltid verktyg som är rätt dimensionerade. Använd inte kedjesågar med liten effekt för tunga jobb.

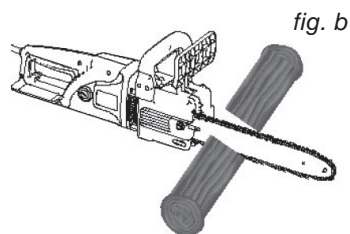
# Svenska

- Använd nätsladden endast för det ändamål det är ämnat. Bär aldrig kedjesågen i nätkabeln. Drag aldrig i nätsladden utan drag i stickkontakten när du ska ta den ur vägguttaget. Skydda nätsladden från värme, olja och vassa kanter.
- Använd endast för ändamålet godkända skarvsladdar om du ska använda kedjesågen utomhus.
- Se till att du har ett ordentligt stöd för virket när du sågar bearbetat virke och tunna grenar eller kvistar (t.ex. en sågbock, se fig. a). Stapla inte timret, låt inte någon annan hålla i timret och håll inte fast timret med foten när du ska såga i det.

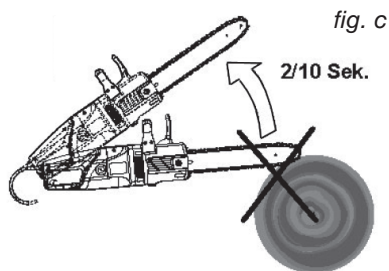
fig. a



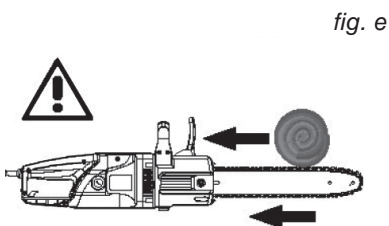
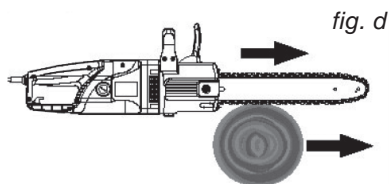
- Stockar måste ligga stadigt när du sågar i dem.
- Om marken sluttar, arbeta alltid vänd uppåt.
- Vid kapning, sätt alltid barkstödet mot det du ska kapa (se fig. b).
- Lägg alltid an barkstödet innan du börjar kapa. Starta sedan kedjesågen och börja kapa. För kedjesågens bakdel uppåt och bestäm riktningen med det främre handtaget. Använd barkstödet som stödjepunkt. För att byta position för fortsatt kapning, avbryt sågningen och tryck lätt på det främre handtaget. Drag tillbaka sågen en aning, lägg an barkstödet djupare ned i snittet och för det bakre handtaget uppåt (se fig. b).
- Dra svärdet ur virkessnittet medan sågkedjan fortfarande rör sig.
- Om du sågar fler snitt, stäng av kedjesågen mellan dem.



- Instickssågning och horisontell sågning får endast utföras av professionella p.g.a. stor risk för kast med sågsvärdet (se fig. c).
- För horisontell sågning, ställ in minsta möjliga vinkel. Detta kräver stor försiktighet, eftersom barkstödet inte kan användas i detta fall.
- Om kedjan fastnar när du sågar med ovasidan av svärdet kan kedjesågen kastas mot dig. Därför ska du jämt, om möjligt, såga med undersidan av svärdet eftersom kedjesågen då kastas bort från dig mot träet (se fig. d och e).



- Var extra uppmärksam när du sågar klucket trä. Avsågade träbitar kan kastas i olika riktningar. **Skaderisk!**



## Svenska

- Använd inte kedjesågens svärd för att rensa undan avsågade kvistar.
- När du kapar av grenar från ett träd ska kedjesågen om möjligt ha stöd mot trädstammen. Kapa inte med toppen på sågsvärdet eftersom det finns risk för kast (se fig c).
- Kapning av grenar bör utföras av utbildad personal. Skaderisk!
- Var extra uppmärksam på grenar som är i spänn. Kapa inte fritt hängande grenar underifrån.
- Stå aldrig på trädstammen när du kapar grenar.
- Kedjesågen bör inte användas för skogsarbete, d.v.s. trädfällning och kapning av grenar i skogen. Eftersom kedjesågen är strömförsörjd har den inte nödvändig mobilitet och säkerheten kan inte garanteras.
- Var uppmärksam på fallande träd och håll dig undan.
- När trädet fälls, se upp för fallande grenar när du kliver bakåt.
- I sluttningar ska den som sågar stå ovanför eller bredvid stammen eller det liggande trädet, aldrig nedanför.
- Se upp för timmer som rullar mot dig p.g.a. risk för kast med kedjesågen.
- Kedjesågen kan kastas bakåt om spetsen på sågsvärdet oavsiktligt kommer åt trä eller annat fast material. I detta fall rör sig kedjesågen okontrollerat och kan slungas mot användaren med full kraft, vilket medför risk för skada.

### Följ dessa säkerhetsinstruktioner för att förebygga kast med svärdet

- Börja aldrig såga med svärdets spets!
- Såga aldrig med svärdets spets! Var försiktig när du fortsätter med påbörjade sågskär.
- Starta alltid kedjesågen så att sågkedjan är i rörelse innan sågningen påbörjas.
- Håll alltid sågkedjan vass och korrekt filad (använd filmall om du inte kan fila på fri hand eller lämna in sågkedjan till en serviceverkstad för slipning).
- Såga aldrig i mer än en kvist i taget, var försiktig så att du inte sågar i flera kvistar samtidigt.
- Var försiktig när flera trädstammar ligger nära varandra vid kapning. Använd helst en sågbock.

### Flytta och hantera kedjesågen

Dra ur stickproppen och sätt på svärdsskyddet innan förflyttning av kedjesågen. Stäng av sågen när du lyfter upp den mellan skären, om du ska göra flera skär.

Beskrivning

Bild 1

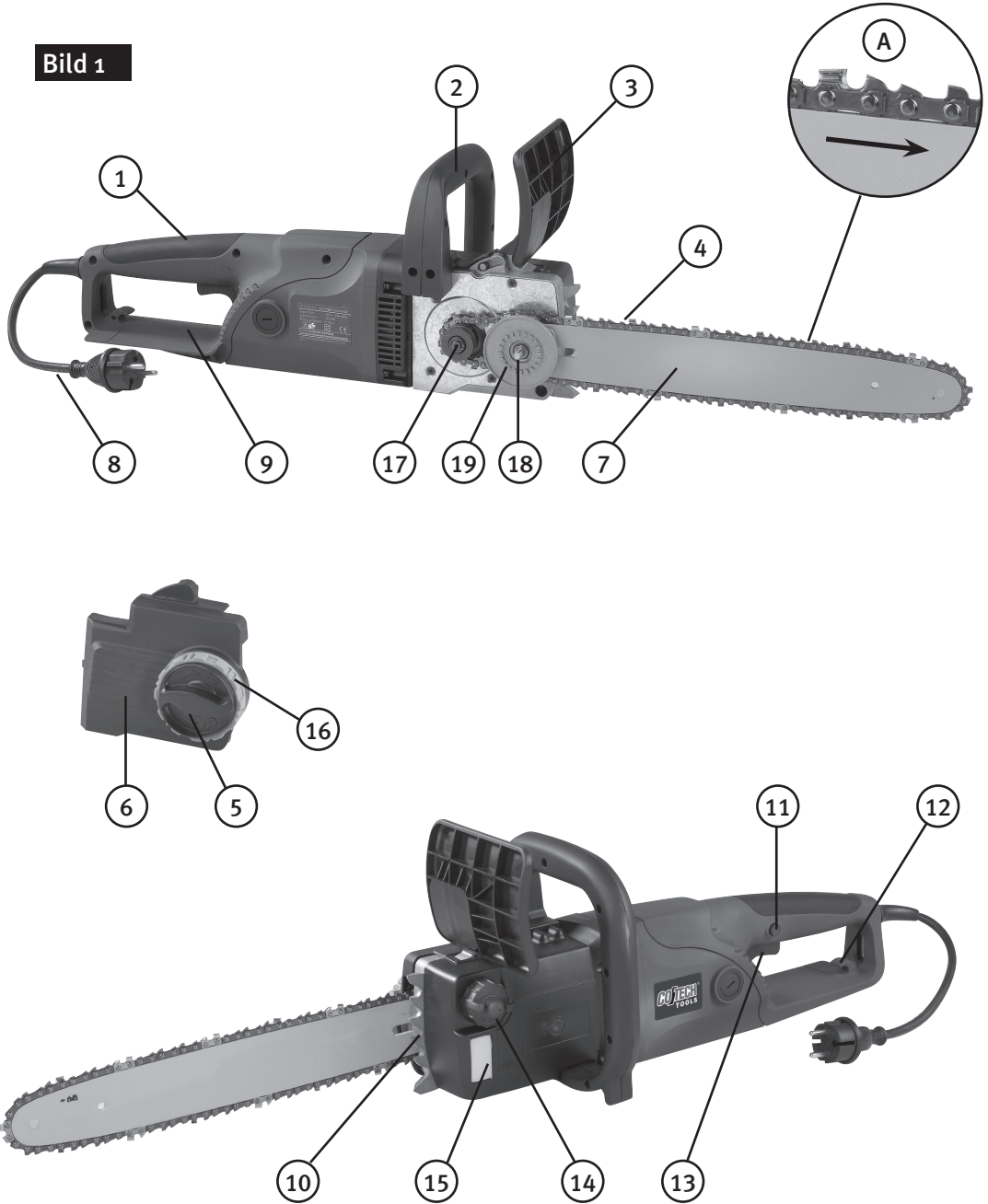
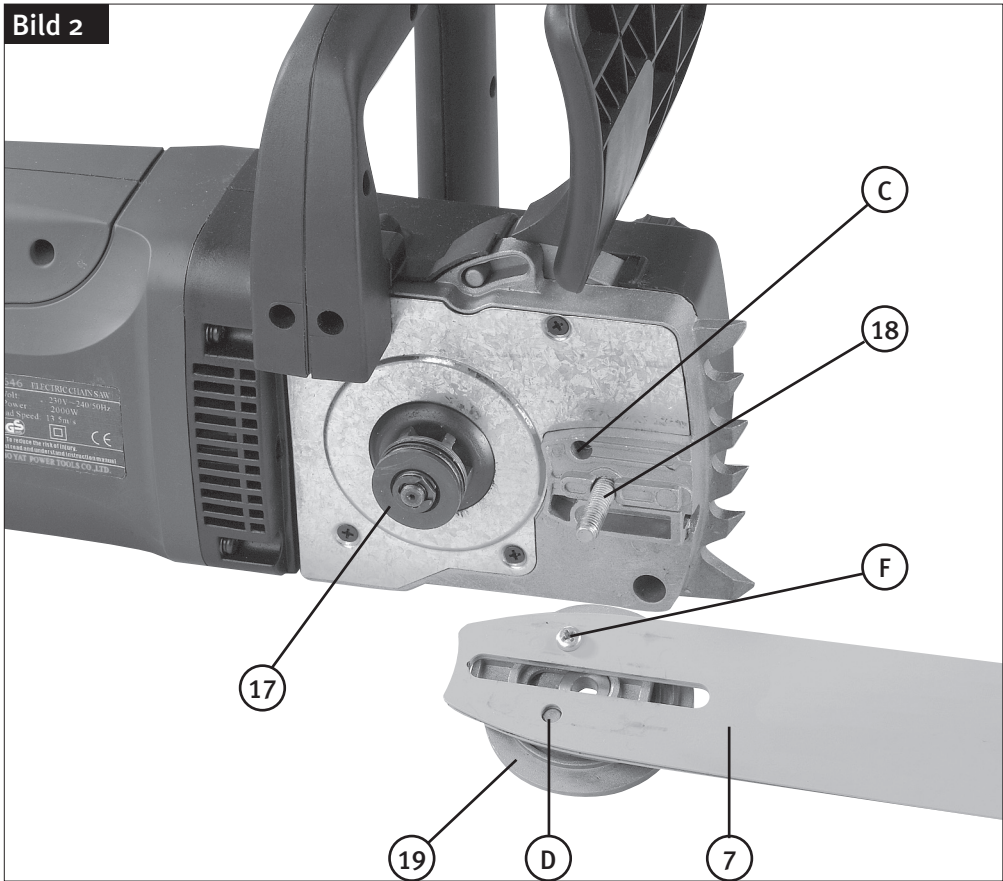


Bild 2



- |                                       |   |
|---------------------------------------|---|
| 1. Bakre handtag                      | 12. Sladdfäste                          |
| 2. Främre handtag                     | 13. Strömbrytare                        |
| 3. Kastskydd/utlösning av kedjebroms  | 14. Lock till oljetank                  |
| 4. Sågkedja                           | 15. Oljetank/Nivåglas                   |
| 5. Låsraff för svärd                  | 16. Vred för kedjespänning              |
| 6. Kedjedrevskåpa                     | 17. Kedjedrev                           |
| 7. Svärd                              | 18. Svärdbult                           |
| 8. Nätkabel                           | 19. Spännhjul till kedjespänningen      |
| 9. Bakre fingerskydd/kedjebrottsskydd | 20. Påfyllning av kedjeolja (se bild 7) |
| 10. Barkstöd                          |   |
| 11. Säkerhetsspärr                    |   |

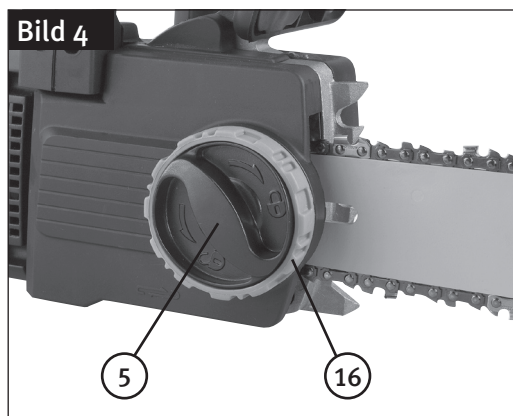
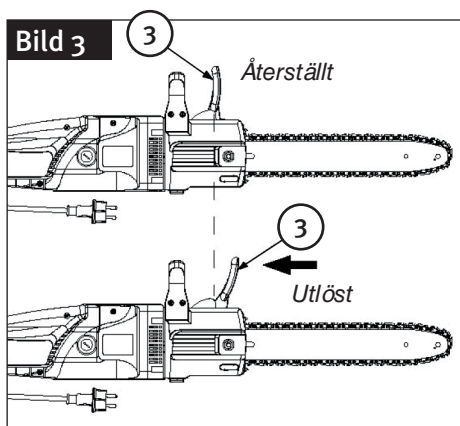
## Förberedelser innan start

Kontrollera att drivspänningen som anges på kedjesågens märkskylt är lika som spänningen i eluttaget. Kontrollera alltid innan start att kedjesågen är oskadad och att den är säker att använda. Kontrollera också att kedjesmörjningen fungerar och att det finns kedjeolja i tanken (se bild 7). Fyll på kedjeolja senast när oljenivån har gått ner till "MIN" -markeringen, när oljenivån är ovanför markeringen fungerar smörjningen bra. Kontrollera kedjesmörjningen så här: Starta kedjesågen och håll svärdet ca 20 cm över en vedklamp eller något annat ljust föremål, om kedjesmörjningen fungerar bra ska oljan kastas från kedjan och synas på det ljusa föremålet. Om inga spår av olja syns bör du göra ren utmatningshålet (Bild 2, C) och det övre hålet i svärdet (Bild 2, D), eller kontakta återförsäljare eller serviceverkstad. (Läs avsnittet "Påfyllning av kedjeolja, och kedjesmörjning"). Kontrollera kedjespänningen och justera vid behov (Läs avsnittet "Kedjespänning"). Kontrollera att kastskydd/kedjebroms fungerar (Läs avsnittet "Återställa kastskydd/kedjebroms").

## Montering av svärd och sågkedja

Stickproppen måste vara utdragen ur eluttaget.

**Viktigt:** Kastskyddet (3) till kedjebromsen måste vara i sitt bakre läge (Se bild 3).



Svärdet och sågkedjan är inte monterade vid leverans, kedjesågen har en ny typ av inställning för kedjespänning och låsning av sågsvärdet som består av två delar:

### A. En kombinerad spänn/låsratt som är monterad på kedjekåpan

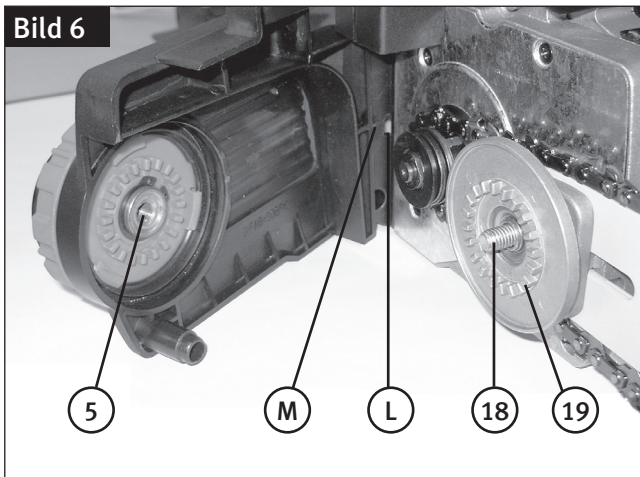
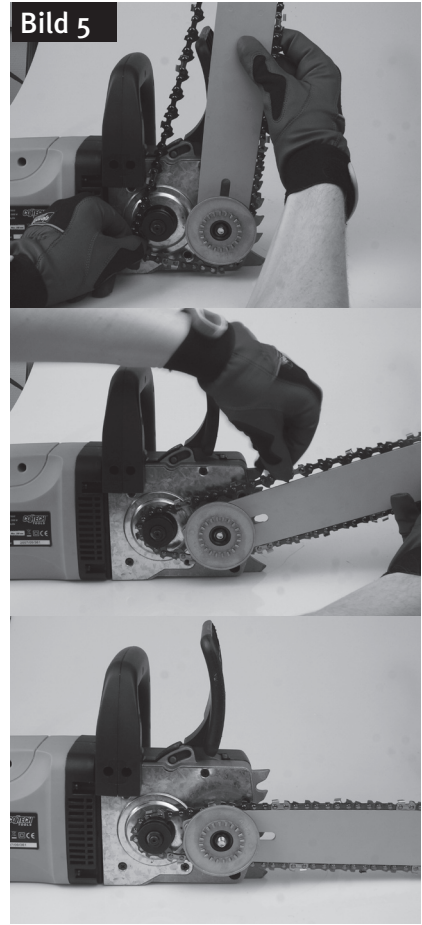
Spänn/låsratten består av två olika delar: Ett svart centrumvred (5) för fastlåsnings av svärdet (och låsning av inställningen för kedjespänning) och ett yttre vred (16) för inställning av kedjespänning. (Se bild 4).

### B. Ett spännhjul för kedjespänning som är monterat på svärdet.

Spännhjulet (19) är monterat på svärdet med en skruv (F), genom nedre hålet och en styrtapp i det övre hålet (D) på svärdet. (Se bild 5).

## Montera sågsvärd och sågkedja så här

1. Skruva centrumvredet (5) motsols och ta loss kedjedrevskåpan (6)
2. Montera kedjan på svärdet, se till att vända kedjan rätt.
3. För på svärdet på motorsågens svärdsbult och rikta svärdet med kedjan rakt upp.
4. Lägg på kedjan på drivhjulet.
5. Vik därefter ner svärdet, se till att kedjan hamnar riktigt svärdets spår och på motorsågens drivhjul.
6. Montera nu kedjedrevskåpan (6) genom att passa in den klack (M) som finns i bakkant på kåpan mot hålet (L) i sågen och sedan vika in kåpan så centrumvredet (5) ligger an mot svärdsbulten (18), vrid det svarta centrumvredet (5) medsols så att det tar gäng på svärdsbulten, spänn kedjan nu genom att vrida medsols på det yttre vredet (16). (Det inre vredet (5) är endast till för låsning av svärdet och det yttre vredet (16) till för kedjespänning).



7. Kontrollera kedjespänningen: Sågkedjan ska kunna lyftas ca 5 mm på mitten av svärdet när kedjespänningen är rätt, justera vid behov: Lossa det svarta centrumvredet på spänn/låsratten något, justera kedjespänningen genom att vrida den yttre ratten, dra åt det svarta centrumvredet för att låsa fast svärdet och därmed fixera den inställda kedjespänningen.



## Kedjespänning

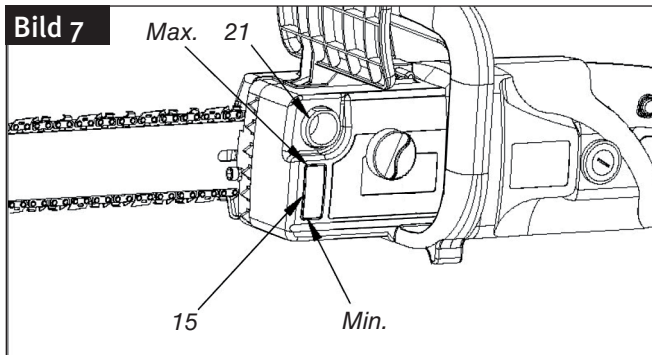
**Dra alltid ut nätsladdens stickpropp ur el-uttaget innan service och justering av kedjesågen!**  
**Använd skyddshandskar!**

## Justera kedjespänningen

1. Kontrollera först kedjespänningen: Sågkedjan ska kunna lyftas ca 5 mm på mitten av svärdet när kedjespänningen är rätt.
2. Justera vid behov: Lossa det svarta centrumvredet (5) på spänn/låsringen något, justera kedjespänningen genom att vrida det yttre vredet (16).
3. Dra åt det svarta centrumvredet för att låsa fast svärdet och därmed fixera den inställda kedjespänningen (kontrollera innan åtdragning att sågkedjan ligger rätt i drivhjulet, och i styrspåret runt hela svärdet).

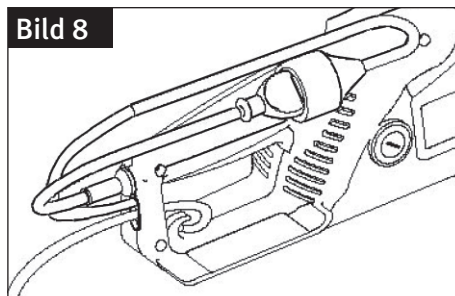
## Fyll på kedjeolja

Rengör oljelocket innan det öppnas för att förhindra att smuts kommer ner i oljetanken. Skruva av locket och fyll på kedjeolja, oljenivån syns i oljetanken (15) under påfyllningshålet, fyll fullt och skruva sedan åt locket så att det sitter säkert, torka av ev.spill.



## Fixera skarvsladden i kedjesågen

Använd endast skarvsladdar som är avsedda för utomhusbruk med tillräcklig ledararea (minst 1.5 mm<sup>2</sup>, max 75 meter lång), fixera skarvsladden i det bakre handtaget som bilden visar. Om skarvsladdar längre än 30 meter används kan det leda till spänningsfall så att kedjesågen går dåligt.



## Kedjesmörjning

Sågkedjan och sågsvärdet måste smörjas under drift för att undvika stort slitage. Kedjesmörjningen är automatisk. Använd aldrig kedjesågen utan fungerande smörjning, både sågsvärd och sågkedja förstörs fort utan smörjning, det är därför viktigt att vid varje användningstillfälle kontrollera kedjesmörjningens funktion och oljetankens nivå. (Bild 7)

Använd aldrig kedjesågen om oljenivån är under "MIN".

- **Min:** När oljenivån understiger "MIN" eller 5 mm i undre delen av "fönstret" i oljetanken (15), fyll på kedjeolja.
- **Max:** Fyll på kedjeolja tills hela "fönstret" är fullt.

## Kontroll av kedjesmörjning

Kontrollera kedjesmörjningen så här: Starta kedjesågen och håll svärdet ca 20 cm över en vedklamp eller något annat ljust föremål, om kedjesmörjningen fungerar bra ska oljan kastas från kedjan och synas på det ljusa föremålet. Om inga spår av olja syns bör du göra ren utmatningshålet (C) och det övre hålet i svärdet (D), (Se bild 2) eller kontakta återförsäljare eller serviceverkstad. Var försiktig så att inte sågkedjan tar i marken vid provningen.

## Kedjeolja

Livslängden för sågsvärdet och sågkedjan beror på vilken kedjeolja som används. Använd endast kedjeolja och aldrig spillolja etc. Använd miljövänliga typer av sågkedjeolja, förvara kedjeoljan i en tät dunk som är avsedd för kedjeolja.

## Sågsvärd

Sågsvärdet (7) slits mest i spetsen och på undersidan, vänd svärdet när kedjan filas/slipas så att det slits på båda sidorna. fila bort ev. grader på sågsvärdet med en flatfil.

## Kedjedrev

Kedjedrevet (17) slits mycket, kontrollera om det har slitagemärken eller är deformerat ska det bytas ut. Ett slitet kedjedrev sliter ner en ny sågkedja fort. Kontakta återförsäljare eller serviceverkstad för byte av kedjedrev.

## Svärdskydd

Sätt på svärdskyddet direkt när du är klar med sågningen och alltid när kedjesågen ska förvaras eller transporteras.

## Kastskydd/Kedjebroms

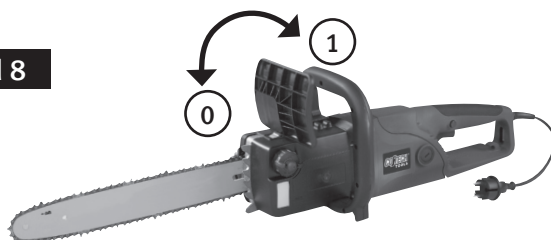
Vid ett eventuellt kast med sågsvärdet kommer kedjebromsen att aktiveras genom att kastskyddet (3) trycks framåt av handen och motorn stängs av på 0.15 sekund (Bild 3).

## Test av kastskydd

**Varning! Kedjebromsen måste kontrolleras innan varje användningstillfälle.**

Håll i kedjesågen stadigt med båda händerna, starta den och vik fram kastskyddet (mot "0") med handleden, sågkedjan ska stanna direkt.

Bild 8



## Återställning av kastskydd/kedjebroms

Kedjebromsen måste återställas innan kedjesågen kan startas igen: Stäng av kedjesågen (släpp strömbrytaren), tryck kastskyddet (3) bakåt tills det låser i sitt bakre läge (Bild 3), nu är kedjebromsens skyddsfunktion återställd.

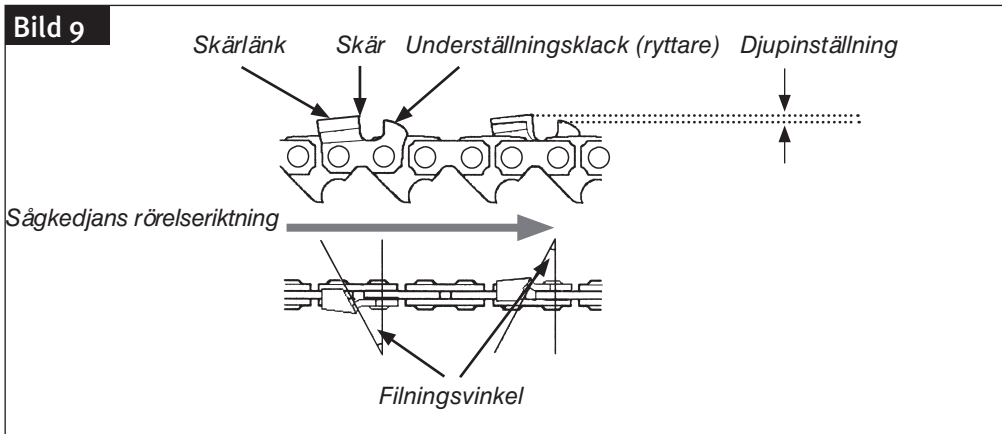
## Slipning/filning av sågkedjan

När sågkedjan förlorar sin skärpa och inte längre skär effektivt och säkert, måste den bytas ut eller slipas (filas).

**Obs!** Det är lättast att fila sågkedjan med någon typ av "filmall" som finns att köpa i fackhandeln, läs filmallens bruksanvisning innan den används.

**Fila kedjan så här:**

- Dra ut nätsladdens stickpropp ur eluttaget.
- Ta på skyddshandskar för att skydda händerna.
- Kontrollera att kedjespänningen är bra.
- Tryck fram kedjebromsens utlösningshandtag (kastskydd) för att fixera sågkedjan på svärdet.
- Använd en rundfil med  $\varnothing$  4 mm.
- Fila vinkelrätt (horisontellt) mot svärdet i en vinkel av  $38^\circ$  mot kedjans rörelseriktning.



- Fila varje skär utåt/framåt i kedjans rörelseriktning.
- Fila varje skär med lika många drag av filen, så att sågkedjan blir symmetriskt filad.
- Kontrollera ryttarnas höjd vid var 5:e filning, om ryttarna behöver filas används en flatfil, och det är viktigt att den ursprungliga profilen behålls.
- Mät ryttarnas höjd (djupinställning) efter filning med en mall som finns att köpa hos fackhandeln.

## Börja använda kedjesågen

**Använd alltid skyddsglasögon/visir, hörselskydd, skyddshandskar och skyddskläder med sågskydd!**

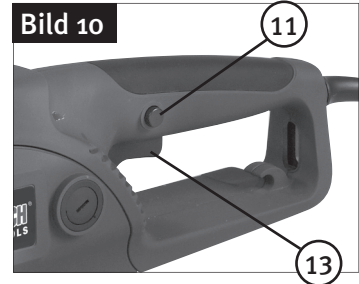
Använd endast skarvkablar som är godkända för utomhusbruk och med tillräcklig ledararea (minst 1.5 mm<sup>2</sup>, max 75 meter lång). Kedjesågen är försedd med säkerhetsströmbrytare: Strömbrytare och startspärr på det bakre handtaget (1) dessa måste tryckas in samtidigt för att starta kedjesågen. Kedjesågen måste hållas säkert i båda handtagen vid start.

Om inte motorn startar måste kastskyddet/kedjebromsen återställas: Tryck kastskyddet (3) bakåt se: Kedjebroms, Återställa kedjebromsen (Bild 3).

Kedjesågen startar direkt med max. hastighet.

**Stäng av kedjesågen så här:** Släpp strömbrytaren (13) och startspärren (11) så stannar kedjesågen efter ca 1 sekund, vibrationer kan förekomma det är helt säkert och normalt.

**Alltid efter arbetets slut:** Gör ren sågkedjan och sågsvärdet, sätt på svärdskyddet.



## Skyddsåtgärder för kedjesåg

**Använd aldrig kedjesågen i regn eller vid hög luftfuktighet.**

**Dra ur stickproppen direkt om skarvsladden skadas, rör inte sladden, håll endast i stickproppen! Arbeta aldrig med en skadad skarvkabel.**

Kontrollera att kedjesågen är oskadad. Kontrollera också att kedjesågens skydd och säkerhetsanordningar är i funktion eller om några andra delar är skadade innan sågen används. Se till att alla rörliga delar är rörliga och fungerar bra. Alla delar måste vara rätt monterade och uppfylla alla krav som gör att kedjesågens funktion är riskfri för användaren. Skadade säkerhetsdetaljer och andra delar måste repareras/bytas ut av en servicetekniker om inte annat sägs i bruksanvisningen.

## Tänk på detta vid arbete med kedjesågen

### **Kast med svärdet:**

Undvik olyckstillbud genom att aldrig såga med svärdets spets, om du gör det kan sågsvärdet plötsligt kastas uppåt/bakåt med stor kraft.

Använd alltid skyddsglasögon/visir, hörselskydd, skyddshandskar, skyddskläder och skor med sågskydd!

Kast med svärdet är när sågsvärdet plötsligt kastas uppåt/bakåt med stor kraft, det inträffar oftast när spetsen på sågsvärdet kommer i kontakt med något föremål.

Se till att trästycket som sågas sitter fast ordentligt, håll fast det med någon typ av låsning vid behov (detta gäller särskilt runda och raka trästycken som kan börja rotera när sågkedjan läggs emot det), det gör också att det blir lättare att använda kedjesågen med båda händerna på ett säkert sätt.

Kast med svärdet får sågen att kastas uppåt/bakåt helt okontrollerat med stor kraft, kast leder ofta till att sågkedjan blir slö och slak. En slö sågkedja ökar risken för kast. Använd aldrig kedjesågen över axelhöjd.

Sågkedjans slipning/filning är en mycket viktig säkerhetsdetalj, en felslipad sågkedja kan leda till att kedjesågen blir farlig och obehaglig att använda!

## Tips för användning av kedjesågen

### Vedsågning

Följ dessa säkerhetsregler vid vedsågning: Se till att vedstycket ligger säkert så att det inte kan glida/rolla vid sågningen. Försök att fixera mindre vedstycken innan sågningen påbörjas. Använd endast kedjesågen till att såga i trä. Se till att inga stenar, spikar eller andra föremål som kan kastas iväg eller skada sågkedjan, är i närheten av sågkedjan under sågningen. Undvik att sågkedjan kommer i kontakt med marken, taggtråd etc. vid sågning. Se till att svärdspetsen inte kommer i kontakt med kvistar, kapa endast en kvist i taget. Se till att du står stadigt, använd skyddsskor med halksäker sula. Kedjesågen ska alltid vara avstängd vid förflyttning, håll inte handen på strömbrytaren så att sågen kan startas ofrivilligt om du snubblar på något hinder.

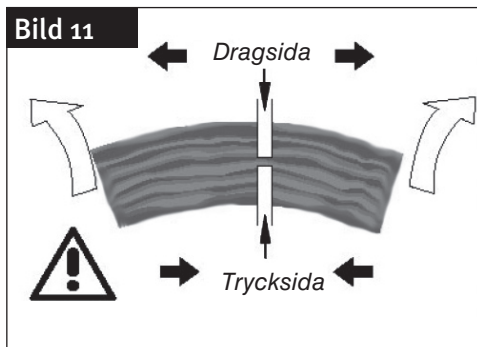
### Kom ihåg

- Kedjesågen måste startas först så att sågkedjan är i rörelse när sågsvärdet trycks emot vedstycket.
- Starta kedjesågen genom att trycka in strömbrytare och startspärr på det bakre handtaget (1) dessa måste tryckas in samtidigt för att starta kedjesågen.
- Sätt den nedre delen av barkstödet (10) mot vedstycket och börja såga. Dra tillbaka kedjesågen något och flytta den så att vedstycket är högre upp på barkstödet och fortsätt att såga.
- Var försiktig när du sågar ved som är kluven eller sprucken, vassa flisor kan kastas iväg.

### Kapning av träd som ligger i spänn

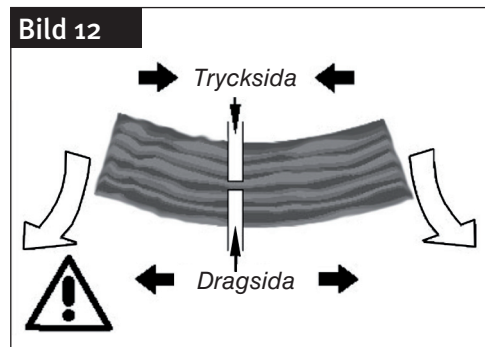
#### Varning! Var försiktig när du hanterar träd som ligger i spänn.

Tänk efter hur trädet är böjt innan du börjar såga. Om du sågar på den sida av stocken som har tryckande krafter kan sågen fastna, om du sågar på sidan som har dragande krafter kan stocken spjälkas.



Översidan är belastad med dragande krafter och undersidan med tryckande krafter.

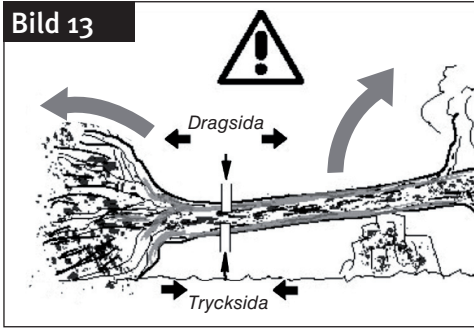
**Varning:** Trädet splittras upp vid kapning.



Undersidan är belastad med dragande krafter och översidan med tryckande krafter.

**Varning:** Trädet slår neråt vid kapning.

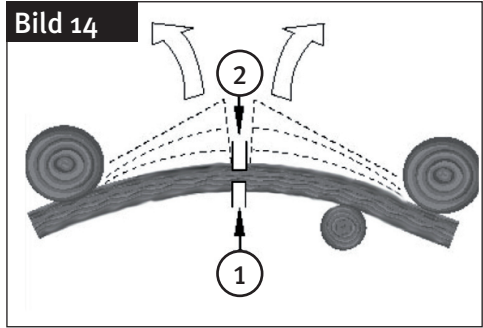
Bild 13



Översidan är belastad med dragande krafter och undersidan med tryckande krafter.

**Varning:** Trädstammen slår snabbt uppåt med stor kraft och vrider sig vid kapning och rotvältan kan tippa framåt eller bakåt. Var mycket försiktig i detta läge!

Bild 14



Båda sidor är belastade med tryckande krafter.

**Varning:** Trädstammen kan slå åt sidan vid kapning. Var mycket försiktig i detta läge!

## Trädfällning

Denna kedjesåg är inte avsedd för trädfällning utan främst för kapning. Den kan dock undantagsvis användas vid fällning av mindre träd. Fråga någon som är van att hantera motorsåg om du är det minsta osäker på hantering av kedjesågen eller arbetsmetod.

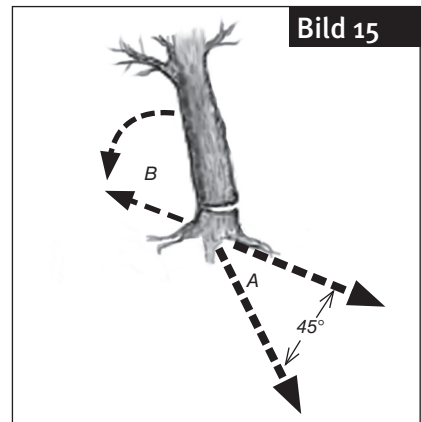
Denna skyddsutrustning ska alltid användas vid skogsarbete: Hjälms med hörselskydd och visir, byxor med sågskydd, kängor eller skor med sågskydd och naturligtvis ett "Första Förband"

- Små träd kan oftast fällas med ett snitt genom nästan hela stammen och tryckas i rätt riktning med händerna eller axeln (såga inte igenom helt, spara lite av stammen för att använda som gångjärn).
- Större träd kräver riktskär, riktskåret bestämmer trädets fallriktning.

**Varning!** Se alltid till att du har en reträttväg klar, røj undan hindrande buskar och kvistar vid behov, innan fällningen påbörjas, bästa reträttvägen (A) är diagonalt bakåt mot fällriktningen (B) (Bild 15).

**Varning!** Se alltid till att hålla dig på ovasidan av trädet om marken lutar vid trädfällning, då trädet med största sannolikhet kommer att glida neråt eller rulla neråt efter fällningen.

**Obs!** Trädets fallriktning (B) bestäms av riktskåret. Kontrollera innan fällning om trädet lutar åt något håll eller om kvistarna är mycket större på någon sida av trädet, så att trädet har en naturlig fallriktning.



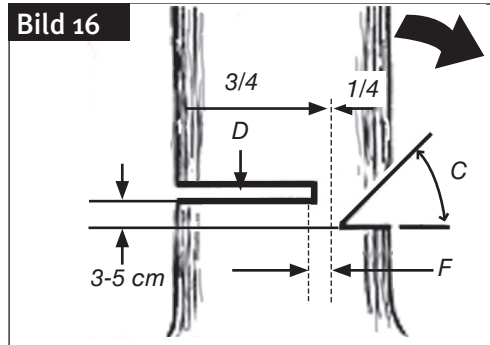
**Varning!** Fäll aldrig träd själv om det finns risk för att det ska falla på någonting som kan skadas, hus, staket etc. ta hjälp av en yrkesman. Fäll aldrig träd i närheten av kraftledning eller telefonledning. Kontrollera att inga åskådare eller husdjur finns i närheten innan du börjar såga, titta upp ibland och kontrollera att ingen närmar sig riskområdet.

Normal trädfällning består av två sågningsmoment, riktskär (C) och fällskär (D).

Börja med det övre riktskåret (C) på den sida av trädet som är vänd i fällriktningen (E) Gör sedan det nedre riktskåret horisontellt så att det träffar det övre riktskåret (såga inte för långt). Riktskåret ska vara brett nog så att det styr trädet under så stor del av fallet som möjligt.

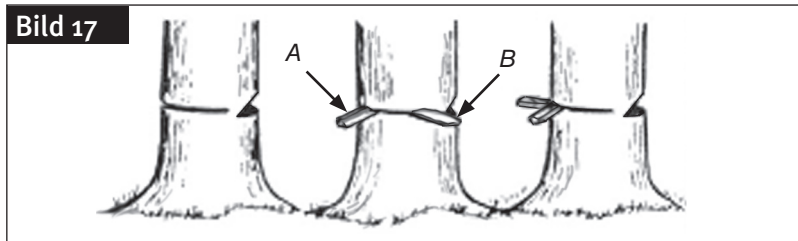
**Varning! Gå aldrig framför ett träd där du har gjort ett riktskär.**

Gör fällskåret (D) från den andra sidan av trädet och 3-5 cm över det undre riktskåret.

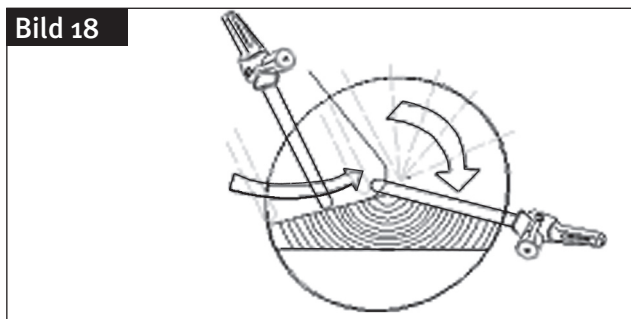


Såga ALDRIG igenom den resterande stammen helt. Lämna ALLTID en brytmån (F), det är brytmånen som styr trädet under fallet. Om trädet blir helt genomsågat tappar du kontrollen över fällriktningen och trädet kan falla åt vilket håll som helst. Sätt in en fällkil eller ett brytjärn i fällskåret innan sågningen är helt klar, om du sågar hela fällskåret innan fällkilen eller brytjärnet har placerats i sågspåret kan trädet vika sig bakåt och nypa fast svärdet. Kontrollera innan trädet fälls med hjälp av fällkilen eller brytjärnet att inga åskådare eller husdjur finns inom riskområdet.

**Varning! Kontrollera att inga åskådare, husdjur eller andra hinder finns i närheten innan du gör sista sågsnittet.**



1. Använd fällkilar av plast eller trä (A) för att förhindra att svärdet (B) nypas fast i sågskåret (bild 17).
2. Om trädets diameter är större än längden på svärdet måste du göra två skär (bild 18).



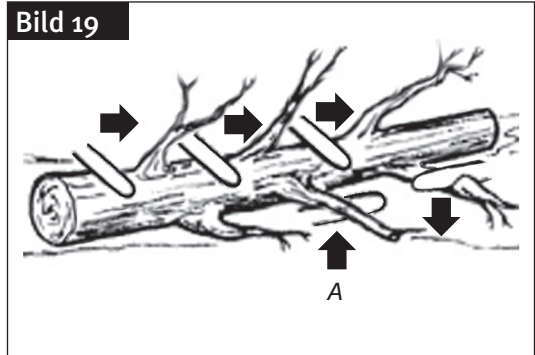
**Varning! När fällskäret (D) har sågats långt så att endast brytmånen (F) finns kvar kan trädet börja falla, annars måste du använda fällkil eller brytjärn för att hjälpa till.**

Ta bort kedjesågen och stäng av motorn och ta några steg snett tillbaka längs reträttvägen, och håll uppsikt på trädet när det faller (se bild 15).

## Kvistning

Kvistning innebär att såga av kvistarna på ett liggande träd. Börja med att såga av de översta kvistarna på trädet, stå på ena sidan av trädstammen och kvista på den andra sidan av stammen (då har du trädstammen som skydd mellan dig och kedjesågen) Var försiktig vid kapning av kvistar som är i spänn, de måste kapas från rätt sida annars fastnar svärdet.

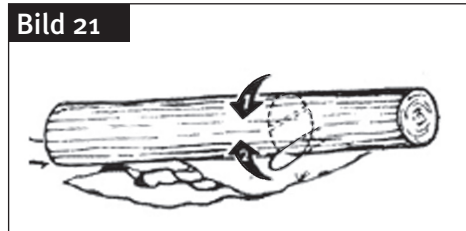
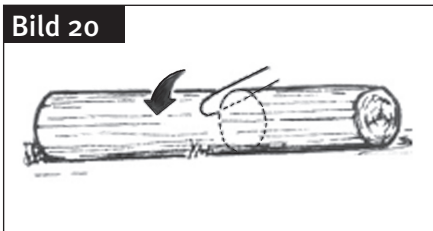
**Varning! Stå aldrig på trädstammen vid kvistning.**



## Kapning

Vid kapning sågas liggande trädstammar till annan längd. Se till att du står stadigt med god balans, om marken lutar måste du stå ovanför trädstammen vid kapning. Trädstammen ska helst vara uppallad på något så att den inte ligger direkt på marken då är det lätt att du sågar i marken så att sågkedjan blir slö. Om trädstammen har stöd i båda ändarna måste du börja med att dela den på mitten, börja med att såga igenom halva stocken från ovansidan, gör sedan ett mötande snitt på undersidan, annars kan sågsvärdet nypas fast. Var försiktig så att inte sågkedjan kommer i kontakt med marken.

1. En trädstam som har stöd under hela längden: Såga från ovansidan först, rulla sedan trädstammen och gör mötande snitt från ovansidan (bild 22).
2. En trädstam som har stöd i ena änden (t.ex. om trädstammen ligger i en sågbock): Såga från undersidan först (1/3 av diametern, för att undvika spjälkning) och gör sedan mötande snitt från ovansidan.
3. En trädstam som har stöd i båda ändar: Såga från översidan först (1/3 av diametern, för att undvika spjälkning) och gör sedan mötande snitt från undersidan (bild 21).

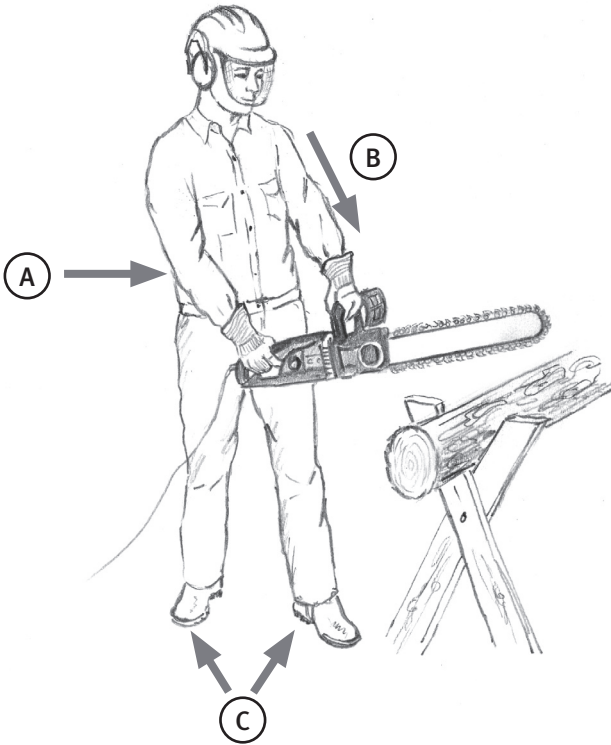


**Obs:** Bästa sättet att kapa är att använda något stöd, gärna en sågbock, om det inte är möjligt kan trädstammen pallas upp med något annat, se till att trädstammen ligger säkert så att den inte kan rulla eller ramla ner.



## Kapning med hjälp av en sågbock

- A. Håll kedjesågen stadigt med båda händerna, på din högra sida vid sågning.
- B. Håll den vänstra armen så rak som möjligt.
- C. Stå stadigt med vikten jämnt fördelad på båda fötterna.



## Underhåll och rengöring

**Dra alltid ut nätsladdens stickpropp ur el-uttaget innan service och justering av kedjesågen!**

Håll alltid motorns kylflödesöppningar fria från spån och smuts. Service och justering som är omnämnd i bruksanvisningen får utföras, all annan reparation/justering ska utföras av service-tekniker. Produkten får inte ändras eller användas på annat sätt än vad som här anges då det kan äventyra säkerheten vid arbete med kedjesågen.

## Förvaring

Förvara kedjesågen på en ren, torr och plan yta inlåst eller utom räckhåll för barn när den inte används.

## Avfallshantering

När du ska göra dig av med produkten ska detta ske enligt lokala föreskrifter. Är du osäker på hur du ska gå tillväga, kontakta din kommun.



## Felsökning

Fel	Orsak	Lösning
Motorn startar inte.	Ingen ström.	Kontrollera el-uttag, kabel, stickpropp.
		Skadad elkabel: byt ut den, använd aldrig en skadad elkabel.
		Skadad strömbrytare måste bytas av servicetekniker.
	Kastskydd/Kedjebromsen utlöst.	Se "Återställa kastskydd/kedjebromsen (Bild 5)".
	Slitna kolborstar.	Låt en servicetekniker byta ut elborstarna.
Kedjan rör sig inte.	Kastskydd/Kedjebromsen utlöst.	Se "Återställa kastskydd/kedjebromsen (Bild 3)".
Dålig kapacitet.	Felmonterad sågkedja.	Felväänd sågkedja, kontrollera riktning.
	Slö sågkedja.	Slipa sågkedjan.
	Kedjespänning.	Kontrollera sågkedjans spänning.
Kedjesågen fungerar dåligt, sågkedjan hoppar av.	Kedjespänning.	Kontrollera sågkedjans spänning.
Sågkedjan blir varm.	Kedjesmörjning.	Kontrollera oljenivå.
		Kontrollera kedjesmörjning.

## Tekniska data

Typ:	YT4646 / YT4646-UK
Effekt:	2000 W
Varvtal (obelastad):	7600 rpm
Märkspänning:	230 V~, 50 Hz
Skärhastighet (obelastad):	13,5 m/sekund
Max sågdjup:	35 cm
Vikt (utan svärd och kedja):	4,8 kg
Garanterad ljudeffektnivå (LwA):	105 dB (A)
Uppmätt ljudeffektsnivå (LwA):	103 dB (A)
Ljudtrycksnivå (LpA):	93 dB (A)
Vibrationsnivå:	5,32 m/s <sup>2</sup>
Volym oljebehållare:	110 ml
Sågkedja:	3/8 med 52 drivlänkar
Sågsvärd:	35 cm (14")

## Kjedesag 2000 W

ART.NR: 18-3039    MODELL: YT4646-UK

30-9288

YT4646

Les gjennom hele bruksanvisningen før bruk og spar den til fremtidig bruk.  
Vi reserverer oss for evt. tekst- og fotofeil samt endringer av tekniske data.  
Ved problem eller øvrige spørsmål kan du kontakt oss (se adresse på siste side).

### Generelle sikkerhetsregler for egen og andres sikkerhet

1. Hold arbeidsstedet ryddig!  
Uryddige arbeidsplasser innbyr til ulykker.
2. Bruk ikke maskinen i risikofylt miljø!  
Elektromaskiner skal ikke benyttes på fuktige, våte miljøer eller ved regn. Påse at belysningen er god på arbeidsstedet. Sørg for god luftsirkulasjon ved støvfylte oppgaver. Bruk aldri elektriske maskiner/verktøy der de kan forårsake brann eller eksplosjon!
3. Unngå elektrisk sjokk!  
Unngå kroppskontakt med jordede formål som vannledning, element, komfyr etc. samtidig som du bruker elektromaskiner/verktøy.
4. Hold barn og besøkende på avstand!  
Barn og tilskuere bør befinne seg på sikkerhetsavstand fra elektromaskiner/verktøy eller elkabler på arbeidsstedet.
5. Barnesikker oppbevaring!  
Oppbevar elektromaskiner/verktøy innelåst eller utenfor rekkevidde for barn når de ikke er i bruk.
6. Press ikke maskinen!  
Maskinen gjør jobben bedre og sikrere med beregnet matehastighet.
7. Bruk riktig verktøy!  
Press ikke et verktøy eller lignende til å utføre et arbeidsmoment den ikke er beregnet for.
8. Bruk egnet kleddsel!  
Bruk ikke løstsittende klær, vanter, hals-/armbånd, ringer eller andre smykker som kan sette seg fast i roterende deler. Sklisikre sko anbefales. Bruk hårnett eller tilsvarende om du har langt hår.
9. Bruk verneutstyr!  
Benytt alltid vernebrille, vanlige briller duger ikke! Bruk også støv-/vernemaske samt hørselvern der dette kreves.
10. Utlufting!  
Bruk tilgjengelig utsugingsutrustning for å fjerne og samle opp støv og spon. Om maskinen er beregnet for det, påse at utrustningen brukes på riktig måte og tømmes ved behov.
11. Beskadige ikke nettkabelen!  
Bær aldri maskinen i nettkabelen. Rykk ikke i kabelen, men trekk i støpselet når strømmen brytes. Påse at kabelen ikke kommer i kontakt med varme, olje eller skarpe kanter.
12. Sett fast emnet ordentlig!  
Bruk tvinger eller skruestikke der dette er mulig, du kan da håndtere verktøyet med begge hender. Dette er sikrere enn å holde emnet med en hånd.

## Norsk

13. Strékk deg ikke for langt!  
Sørg for at du hele tiden står stødig og med god balanse.
14. Hold verktøyet i god stand!  
Se etter at eggen er hvass for optimal effekt og sikkert resultat. Følg manualens anbefalinger for smøring og bytte av tilbehør. Kontrollér nettkabelen regelmessig, om den er skadet skal den byttes av en kyndig person. Dette gjelder også ved bruk av skjøteledninger. Maskinens håndtak, strømbryter m.m. skal være rene, tørre og fri for olje, fett etc.
15. Slå av strømmen!  
Trekk ut støpselet og trykk inn nødstopp innen service utføres eller ved bytte av tilbehør som høvelstål, bor, slipebånd, blad etc.
16. Ta bort alle nøkler og serviceverktøy!  
Gjør det til en vane å kontrollere at alle nøkler og serviceverktøy er fjernet fra maskinen før du slår på strømmen.
17. Unngå utilsiktet start!  
Bær ikke verktøyet med fingeren på strømbryteren/avtrekkeren om nettkabelen sitter i et uttak. Påse at bryteren står i OFF når støpselet settes i.
18. Bruk egnet skjøteledning!  
Om du benytter skjøteledning utendørs, bruk kun ledning som er beregnet for dette formål samt påse at de har riktig trådareal. Rull ut hele ledningen!
19. Bruk sunn fornuft og vær varsom!  
Tenk etter, innen du utfører et arbeidsmoment, at dette kan utføres på en sikker måte!  
Bruk ikke maskinen/verktøyet når du er trett, påvirket av medisin etc.
20. Kontroller at alle deler er uskadet!  
Før du starter verktøyet, kontroller at all beskyttelse og øvrige deler er uskadet og oppfyller sin funksjon, at alle deler kan rotere fritt og er riktig justert, at ingen bevegelige deler kan sette seg fast, at ingen defekt har oppstått og øvrige omstendigheter som kan påvirke arbeidets utførelse. Et vern eller annen del som er skadet skal fagmessig repareres eller skiftes ut. Skadde kabler og strømbrytere skal alltid byttes av en fagmann. Bruk aldri verktøyet dersom du ikke kan stenge av eller starte det på en betryggende måte.
21. Bruk anbefalt tilbehør!  
Bruk av ikke anbefalt tilbehør kan volde ulykke eller risiko for personskade.
22. Reparerer kun av kyndig tekniker!  
Verktøyet overensstemmer med gjeldende sikkerhetskrav. Reparasjoner skal alltid utføres av fagmann, med originale reservedeler, ellers kan verktøyet volde skade eller risiko for personskade.
23. Elektroverktøy bør tilsluttes strømmettet via jordfeilbryter! Produktet må ikke endres eller benyttes til arbeidsmoment det ikke er beregnet for! Kontroller regelmessig at alle skruer, muttere etc. er tilstrekkelig tilskrudd!

## Produktmerking med sikkerhetssymboler på maskinen



Advarsel!



Trekk ut støpselet umiddelbart om kabelen skades. Rør ikke kabelen, hold kun i støpselet!



Beskytt maskinen mot regn og fukt.



Les bruksanvisningen!  
Les hele bruksanvisningen, følg sikkerhetsregler og advarsler!



Bruk vernehjelm, vernebrille/visir og hørselvern.



Stopp maskinen og trekk ur støpselet når maskinen ikke er i bruk og innen service og rengjøring!

## Spesielle sikkerhetsanvisninger for kjedesag

### Sikkerhetsforskrifter

Sikkerhetsforskriftene skal følges når kjedesagen brukes. For din egen og andres sikkerhet, les denne informasjon grundig innen du tar saken i bruk og oppbevar den for senere bruk. Anvend kjedesagen kun for å sage i tre eller gjenstander av tre. All annen bruk skjer på egen risiko og kan være farlig. Produsenten kan ikke holdes ansvarlig for skader som oppstår på grunn av ikke anbefalt bruk.

### Sikkerhetsforskrifter og forebygging av skade

For å forebygge ikke anbefalt bruk av kjedesagen, les hele bruksanvisningen innen du tar saken i bruk første gang. All informasjon om bruk av kjedesagen er relevant for din personlige sikkerhet. Spør en erfaren bruker om hvordan man anvender kjedesagen!

La en erfaren bruker vise hvordan man bruker kjedesagen og verneutstyret før du selv bruker saken for første gang! Begynn med å kappe virke i en sagkrakk for å bli kjent med kjedesagen før du går over til vanskeligere arbeidsoppgaver.

- Påse, innen du tilkobler kjedesagen til eluttaket, at nettkabel og støpsel ikke er påført skade eller slitasje. Skadet kabel skal omgående byttes av fagmann.
- Benytt aldri maskinen med skadet nettkabel, støpsel eller skjøteledning som ikke oppfyller gjeldende krav. Trekk umiddelbart ut støpselet om noen del er skadet.

## Norsk

- Stopp kjedesagen og la kjedet stanse helt før du tilbakestiller kastbeskyttelsen.
- Bruk alltid vernehansker og vernebrille eller visir ved all bruk av sagen.
- For å forebygge uhell, bær tettsittende klær som ikke kan sette seg fast i sagens roterende deler samt vernesko.
- Bruk hørselvern for å beskytte din hørsel. Vernehjelm med hørselvern og visir er å foretrekke.
- Påse at du står stødig og med god balanse når du arbeider med sagen.
- Hold arbeidsplassen ryddig.
- For å forhindre elektrisk sjokk, unngå kontakt med de jordede delene.
- Trekk alltid ut nettkabelen før service eller rengjøring av kjedesagen.
- Påse at strømbryteren er avstengt innen støpselet tilkobles uttaket.
- Kjedesagen må kun brukes av en person av gangen. Sørg for at tilskuere holder seg utenfor sagens risikoområde og vær spesielt oppmerksom på at barn og dyr holdes på betryggende avstand.
- Kontrollér før start at sagkjedet ikke har kontakt med noen gjenstand.
- Hold sagen stødig med begge hender under bruk.
- Kjedesagen må ikke benyttes av mindreårige, men personer over 16 år kan kruke sagen under oppsyn av en voksen person om det inngår i en del av opplæring. Lån sagen kun ut til personer som har lest bruksanvisningen og som er vant bruker. La alltid bruksanvisningen medfølge ved utlån.
- Påse at sagen oppbevares innelåst og utenfor rekkevidde for barn.
- Kjedesagen må kun brukes av personer med god helse. Bruk den ikke om du er trett, beruset eller påvirket av medisin etc. Ta en pause om du kjenner deg trett under arbeidet.
- Utsett ikke sagen for regn eller fukt. Sørg for at arbeidsplassen er godt opplyst og ryddig. Bruk aldri sagen i miljøer som inneholder brennbare væsker eller gasser.
- Påse at kjedesagen plasseres utenfor rekkevidde for barn eller tilskuere med frakoblet støpsel under pause i arbeidet.
- Sett alltid barkstøtten mot det som skal sagen før sagingen begynner.
- Ta bort sverdet fra trestokken kun mens sagkjedet er i bevegelse.
- Bruk aldri sagen om du står i en stige, i et tre eller på annet sted der du ikke har god balanse. Sag aldri med kun en hånd, hold sagen med begge hender.
- Nettkabel og skjøtekabel må alltid være bak brukeren.
- Nettkabelen må alltid ledes ut bak fra kjedesagen.
- Bruk kun originaltilbehør.
- **Kjedesager som brukes utendørs må være tilkoblet jordfeilbryter.**
- Overbelast ikke dine verktøy. De fungerer best og sikrest innen et gitt kapasitetsområde.
- Bruk alltid verktøy som er riktig dimensjonert. Bruk ikke kjedesager med liten effekt til større oppgaver.
- Bruk nettkabel kun til det formål den er egnet. Bær aldri sagen i nettkabelen. Dra aldri i selve kabelen, men i støpselet når du skal koble fra uttaket. Beskytt kabelen mot varme, olje og skarpe kanter.

## Norsk

- Bruk kun godkjente skjøteledninger for utendørsbruk om du skal bruke sagen utendørs.
- Påse at du har god støtte for virket når du sager bearbejdet virke og tynne grener eller kvister (for eksempel en sagkrakk, se fig. a). Stable ikke tømmeret, la ingen andre holde det og hold det ikke fast med foten når du sager i det.

fig. a



- Stokker må ligge stødig når du sager i dem.
- Ved skrånende underlag, arbeid alltid nedovervendt.
- Ved kapping, sett alltid barkstøtten mot det du skal kappe (se fig. b).
- Legg alltid an barkstøtten før du begynner å kappe. Start deretter kjedesagen og begynn kappingen. Før sagens bakdel oppover og bestem retningen med det fremre håndtaket. Bruk barkstøtten som støttepunkt. For å bytte posisjon for fortsatt kapping, avbryt sagingen og trykk lett på det fremre håndtaket. Trekk sagen litt tilbake, legg an barkstøtten dypere ned i snittet og før det bakre håndtaket oppover (se fig. b).
- Dra sverdet ut fra snittet mens kjedet fortsatt er i bevegelse.
- Om du sager flere snitt, stopp sagen mellom dem.
- Innstikksaging og horisontal saging må kun utføres av erfarne brukere p.g.a. stor risiko for kast med sverdet (se fig. c).
- For horisontal saging, still inn minste mulige vinkel. Dette krever stor forsiktighet ettersom barkstøtten ikke kan brukes i dette tilfelle.
- Om kjedet setter seg fast når du sager med oversiden av sverdet kan kjedesagen kastes mot deg. Derfor skal du alltid, om mulig, sage med undersiden av sverdet ettersom sagen da kastes bort fra deg mot treet (se fig. d og e).
- Vær ekstra oppmerksom når du sager kløyvet tre. Avsagde trebiter kan kastes i ulike retninger.  
**Skaderisiko!**

fig. b

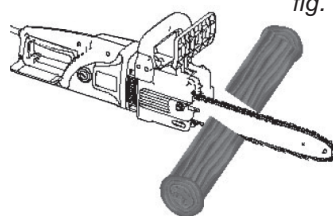


fig. c

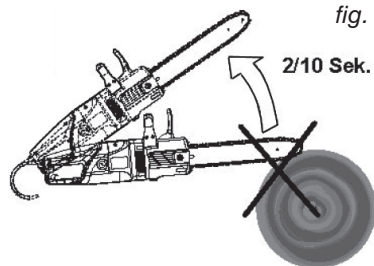


fig. d

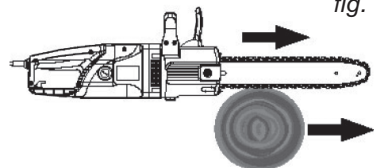
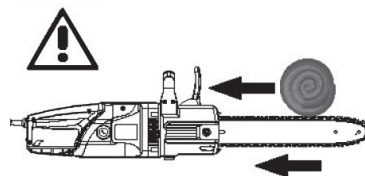


fig. e



## Norsk

- Bruk ikke sagsverdet for å rense unna avsagde kvister.
- Når du kapper av grener fra et tre skal sagen, om mulig, ha støtte mot trestammen. Kapp ikke med toppen av sverdet da det er risiko for kast (se fig. 8).
- Kapping av grener bør utføres av erfarne brukere. Skaderisiko!
- Vær oppmerksom på grener i spenn. Kapp ikke fritt hengende grener underfra.
- Stå aldri på stammen når du kapper grener.
- Kjedesagen bør ikke benyttes til skogsarbeid, d.v.s. felling og kapping av grener i skogen. Ettersom sagen er strømforsynt har den ikke tilstrekkelig mobilitet og sikkerheten kan ikke garanteres.
- Vær oppmerksom på fallende trær og hold deg på avstand.
- Når treet felles, se opp for fallende grener når du går bakover.
- I skråninger skal den som sager stå ovenfor eller ved siden av stammen eller det liggende treet, aldri nedenfor.
- Se opp for stokker som ruller mot deg p.g.a. risiko for kast med sagen.
- Kjedesagen kan kastes bakover om spissen på sagsverdet utilsiktet kommer i kontakt med tre eller annet fast materiale. I dette tilfelle beveger sagen seg ukontrollert og kan slenges mot brukeren med full kraft, hvilket kan medføre skaderisiko.

### Følg disse sikkerhetsinstruksjoner for å forebygge kast på sverdet

- Start aldri sagingen med sverdspissen!
- Sag aldri med sverdspissen! Vær forsiktig når du fortsetter med påbegynte sagskjær.
- Start alltid kjedesagen med kjedet i bevegelse før sagingen påbegynnes.
- Hold alltid kjedet skarpt og korrekt slipt (benytt filmal om du ikke kan file på frihånd eller levér kjedet til et serviceverksted for sliping).
- Sag aldri i mer enn en kvist om gangen, vær forsiktig så du ikke sager flere kvister samtidig.
- Vær forsiktig når flere stokker ligger nær hverandre ved kapping. Bruk helst en sagkrakk.

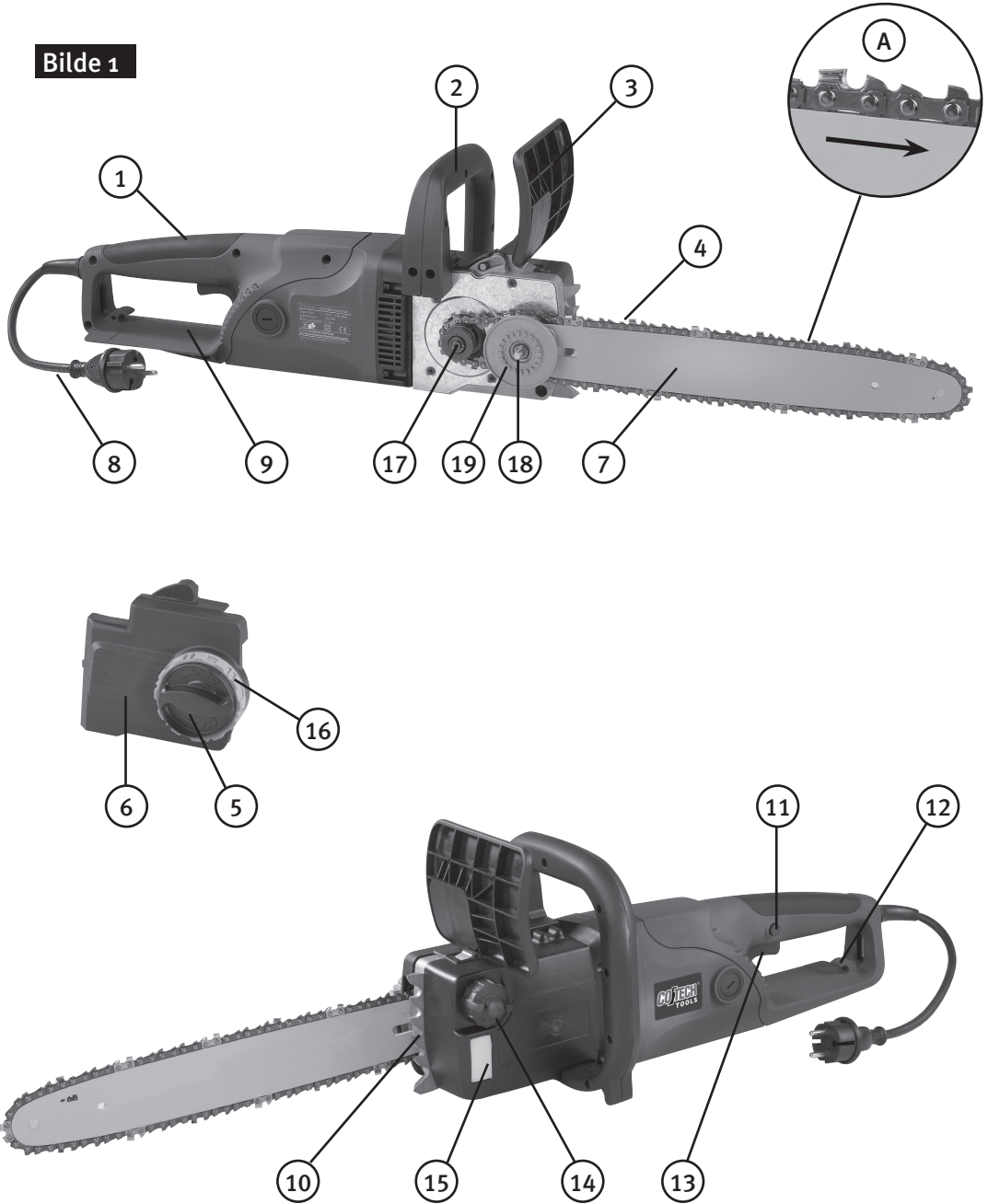
### Flytte og håndtere kjedesagen

Tekk ut støpselet og sett på sverddekselet innen du flytter sagen. Stopp sagen når du løfter den opp mellom snittene, om du skal lage flere snitt.

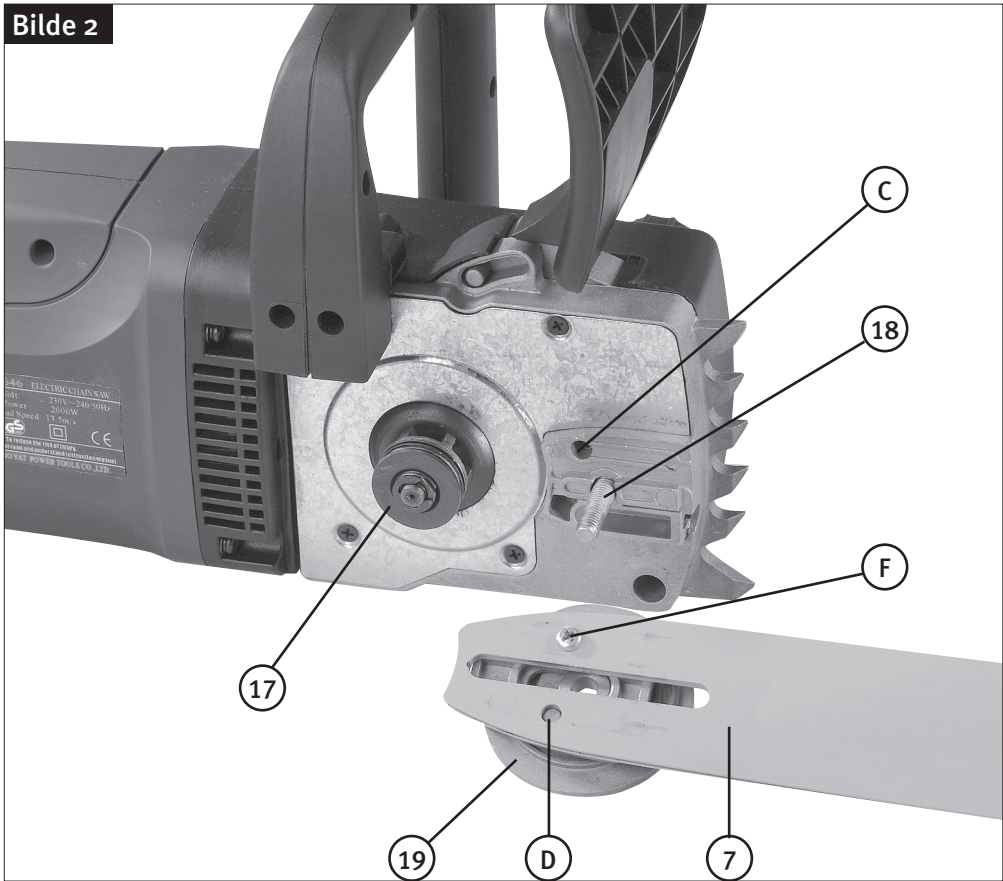


Beskrivelse

Bilde 1



Bilde 2



- |   |  |
|---|--|
| 1. Bakre håndtak                                    | 11. Sikkerhetssperre                   |
| 2. Fremre håndtak                                   | 12. Kabelfeste                         |
| 3. Kastbeskyttelse/utløsning av kjedebremns         | 13. Strømbryter                        |
| 4. Sagkjede   | 14. Lokk til tank                      |
| 5. Låseratt for sverd                               | 15. Oljetank                           |
| 6. Kjededrevkåpe                                    | 16. Vrider for kjedespenning           |
| 7. Sverd  | 17. Kjededrev                          |
| 8. Nettkabel  | 18. Sverdbolt                          |
| 9. Bakre fingerbesyttelse/<br>kjedebruddsbekyttelse | 19. Spennhjul til kjedespenning        |
| 10. Barkstøtte                                      | 20. Påfylling av kjedeolje (se bild 7) |

## Forberedelser før start

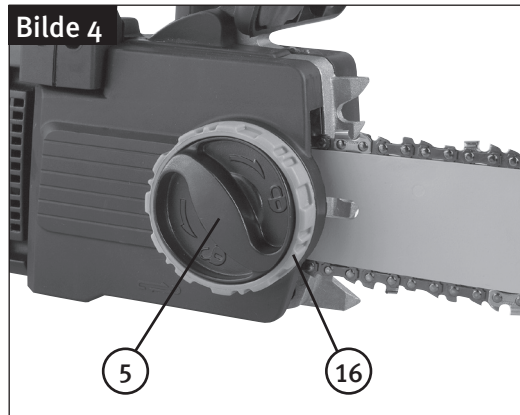
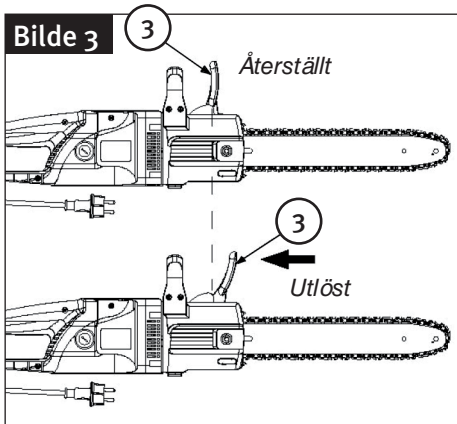
Kontrollér at driftspenningen som oppgis på kjedesagens merkeplate er lik spenningen i el-uttaket. Kontrollér alltid før start at sagen er uskadet og at den er sikker i bruk. Kontrollér også at kjedesmøringen fungerer og at det finnes kjedeolje i tanken (se bilde 4). Etterfyll kjedeolje senest når oljenivået har passert "MIN"-markeringen, når nivået er ovenfor markeringen fungerer smøringen bra. Kontrollér kjedesmøringen som følger: Start kjedesagen og hold sverdet ca. 20 cm over lyst trevirke eller annen lys gjenstand.

Om kjedesmøringen fungerer bra skal oljen kastes fra kjedet og synes på den lyse gjenstanden. Om ingen spor av olje synes bør du rengjøre utmatningshullet (bilde 2, C) og det øvre spennhullet i sverdet (bilde 2, E), eller kontakte forhandleren eller et serviceverksted (les avsnittet "Påfylling av kjedeolje" og "Kjedesmøring"). Kontrollér kjedespenningen og justér ved behov (les avsnittet "Kjedespenning"). Kontroller at kastbeskyttelse/kjedebremser fungerer (les avsnittet "Tilbakestille kastebeskyttelse/kjedebremser").

## Montering av sverd og sagkjede

Støpselet må være frakoblet el-uttaket.

Viktig: Kastbeskyttelsen (3) og kjedebremsen må være i sin bakre innstilling (bilde 3)



Sverd og kjede er ikke montert ved leveringen. Kjedesagen har en ny type innstilling for kjedespenning og låsing av sverdet som består av to deler:

### A. Et kombinert spenn/låserratt som er montert på kjedekåpen

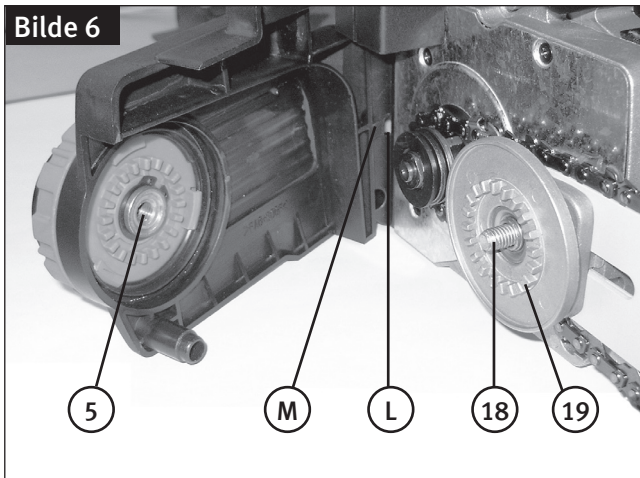
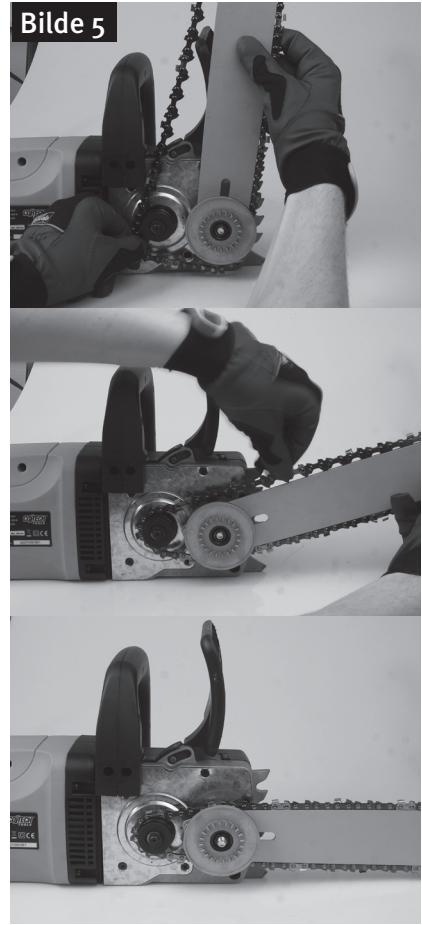
Spenn/låserrattet består av to ulike deler: En sort sentervrider (5) for fastlåsing av sverdet (og låsing av innstilling for kjedespenning) og en ytre vrider (16) for innstilling av kjedespenning (se bilde 4).

### B. Et spennhjul for kjedespenning som er montert på sverdet

Spennhjulet (19) er montert på sverdet med en skrue (F) via det nedre hullet og en styretapp i det øvre hullet (D) på sverdet (se bilde 5).

## Montér sagsverd og sagkjede som følger

1. Skru sentrumshåndtaket (5) motsols og løsnekjededrevsdekselet (6).
2. Monter kjeet på sverdet, påse at kjedet er lagt riktig vei.
3. Før på sverdet på motorsagens sverdbolt og rett sverdet med kjedet rett opp.
4. Legg på kjedet på drivhjulet.
5. Brett deretter ned sverdet, påse at kjedet havner riktig i sverdets spor og på motorsagens drivhjul.
6. Montér nå kjededrevskåpen (6) ved å passe i det sporet (M) som finnes i bakkant på kåpen mot hullet (L) i sagen og deretter brett inn kåpen så sentervrideren (5) ligger an mot sverdbolten (18), vri den sorte sentervrideren (5) medurs så det tar gjengene på sverdbolten, spenn kjedet nå ved å vri medurs på den ytre vrideren (16). (Den indre vrideren (5) er kun til for låsing av sverdet og den ytre vrideren (16) til for kjedespenning).



7. Kontrollére kjedespenningen: Sagkjedet skal kunne løftes ca. 5 mm på midten av sverdet når kjedespenningen er riktig, justér ved behov: Løsne den sorte sentervrideren på spenn/låsrettet noe, justér kjedespenningen ved å vri det ytre rattet, trekk til den sorte sentervrideren for å låse fast sverdet og dermed fikserte den innstilte kjedespenningen.

## Kjedespenning

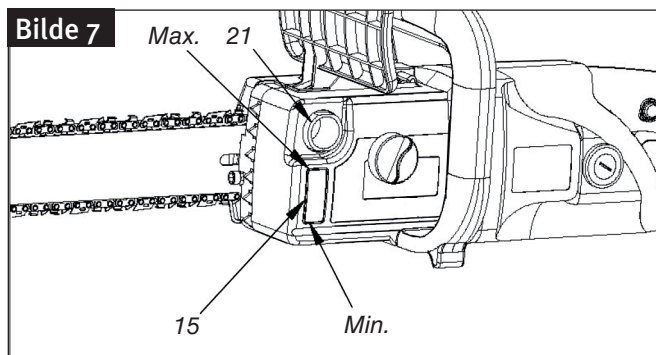
**Trekk alltid ut støpselet fra el-uttaket før service og justering av kjedesagen!**  
**Bruk hansker!**

### Justere kjedespenningen

1. Kontrollér først kjedespenningen: Kjedet skal kunne løftes ca. 5 mm på midten av sverdet når kjedespenningen er riktig.
2. Justér ved behov: Løsne den sorte sentervrideren (5) på spenn/låsrettet noe, justér kjedespenningen ved å vri den ytre vrideren (16).
3. Trekk til den sorte sentervrideren for å låse fast sverdet og dermed fiksere den innstilte kjedespenningen (kontrollér før tiltrekkingen at sagkjedet ligger riktig i drivhjulet og i styresporet rundt hele sverdet).

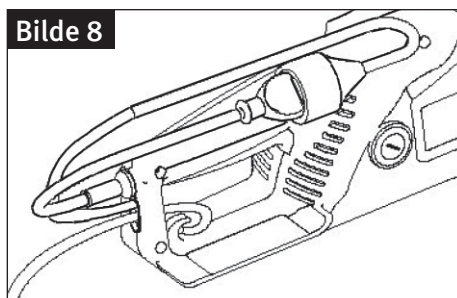
### Fyll på kjedeolje

Rengjør oljelokket før det åpnes for å forhindre at smuss kommer inn i oljetanken. Skru av lokket og fyll på kjedeolje, nivået vises i oljetanken (15) under påfyllingshullet, fyll opp og skru deretter til lokket så det sitter sikkert. Tørk bort evt. spill.



### Fiksér skjøteledningen til kjedesagen

Benytt kun skjøteledning som er beregnet for utendørsbruk og med tilstrekkelig trådeareal (min. 1,5 mm<sup>2</sup>, maks. 75 meter lang), fiksér ledningen i det bakre håndtaket som bildet viser. Om skjøteledning lenger enn 30 meter benyttes, kan dette lede til spenningsfall så sagen går dårlig.



## Kjedesmøring

Sagkjedet og sagsverdet må smøres under drift for å unngå slitasje. Kjedesmøringen er automatisk. Kjør aldri sagen uten fungerende smøring, både sverd og kjede ødelegges fort uten smøring. Det er derfor viktig at ved hver gangs bruk å kontrollere kjedesmøringens funksjon og oljetankens nivå (bilde 7). Bruk aldri sagen om oljenivået er under "MIN".

- **Min:** Når oljenivået understiger "MIN" eller 5 mm i undre delen av vinduet i oljetanken (15), etterfyll kjedeolje.
- **Maks:** Etterfyll olje til hele vinduet er fullt.

## Kontroll av kjedesmøring

Kontrollér kjedesmøringen som følger: Start kjedesagen og hold sverdet ca. 20 cm over lyst trevirke eller en annen lys gjenstand, om smøringen fungerer bra skal oljen kastes fra kjedet og vises på den lyse gjenstanden. Om ikke spor av olje vises, rengjør rundt utmatingshullet (C) og det øvre spennhullet (D) (bilde 2), eller kontakt forhandleren eller et serviceverksted. Vær forsiktig så sagen ikke "tar" i bakken under prøven.

## Kjedeolje

Levetiden for sagsverdet og sagkjedet avhenger av hvilken kjedeolje som benyttes. Bruk kun kjedeolje av miljøvennlig type, ikke spillolje etc. Oppbevar oljen i en tett beholder som er beregnet for kjedeolje.

## Sagsverd

Sverdet (7) slites mest i spissen og på undersiden. Snu sverdet når kjedet slipes/files så det slites på begge sider. Fil evt. bort grader på sverdet med en flatfil.

## Kjededrev

Kjededrevet (17) slites mye, kontrollér om det bærer slitasjemerker eller er deformert, det må da erstattes. Et slitt kjededrev sliter ned et nytt kjede fort. Kontakt forhandleren eller et serviceverksted for bytte av drev.

## Sverdbeskyttelse

Sett sverdbeskyttelsen på umiddelbart etter utført arbeid og alltid når sagen skal oppbevares eller transporteres.

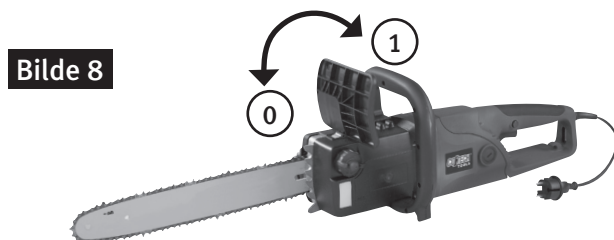
## Kastbeskyttelse/kjedebremse

Ved et eventuelt kast på sverdet vil kjedebremsen aktiveres ved at kastbeskyttelsen (3) trykkes fremover av hånden og motoren stoppes på 0,15 sekunder (bilde 3).

## Test av tilbakeslagsbeskyttelsen

Advarsel! Kjedebremsen må kontrolleres før hver gangs bruk.

Hold i kjedesagen med begge hender, start den og press frem tilbakeslagsbeskyttelsen (mot "0") med håndbaken. Sagkjedet skal nå stoppe umiddelbart.



## Gjenoppretting av tilbakeslagsbeskyttelse/kjedebremis

Kjedebremisen må tilbakestilles før sagen kan startes igjen: Stopp saken (slipp strømbryteren), trykk kastbeskyttelsen (4) bakover til det låses i bakre innstilling (bilde 5, H). Nå er kjedebremisens beskyttelsesfunksjon tilbakestillt.

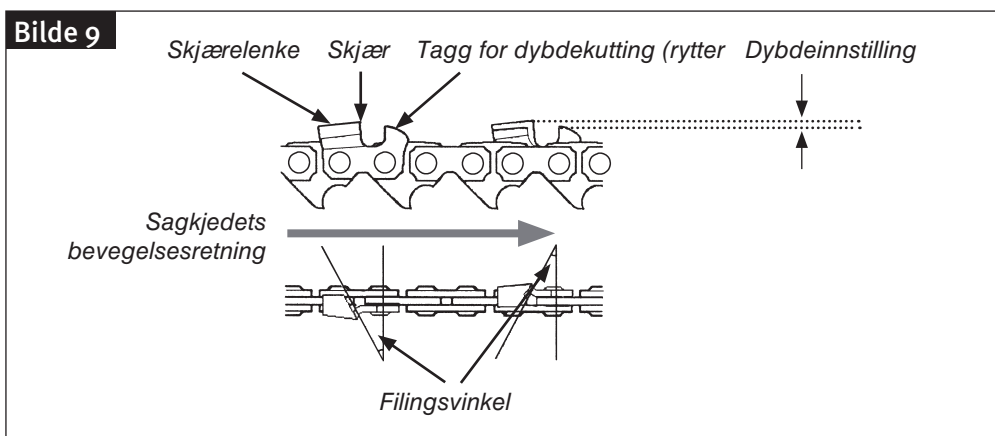
## Sliping/filing av sagkjedet

Når sagkjedet mister sin skarphet og ikke lenger skjærer effektivt og sikkert må det byttes ut eller slipes (files).

**Obs!** Det er enklest å file kjedet med en type "filmal" som kan kjøpes i faghandelen. Les malens bruksanvisning før bruk.

### Fil kjedet som følger:

- Trekk ut støpselet fra nettuttaket.
- Bruk beskyttelseshansker.
- Kontrollér at kjedespenningen er bra.
- Skyv frem kjedebremisens utløsningshåndtak (tilbakeslagsbeskyttelse) for å fiksere kjedet på sverdet.
- Benytt en rundfil med Ø 4 mm.
- Fil vinkelrett (horisontalt) mot sverdet i en vinkel på 38° mot kjedets bevegelsesretning.



- Fil hvert skjær ut/fremover i kjedets bevegelsesretning.
- Fil hvert skjær med like mange drag med filen så kjedet blir symmetrisk filt.
- Kontrollér taggens høyde ved hvert 5. drag. Om taggen må files benyttes en flatfil og det er viktig at den opprinnelige profilen beholdes.
- Mål taggens høyde (dybdeinnstilling) etter filing med en mal som kan kjøpes i faghandelen.

## Å bruke kjedesagen

**Bruk alltid vernebrille/visir, hørselvern, beskyttelseshansker og værneklær med sagbeskyttelse!**

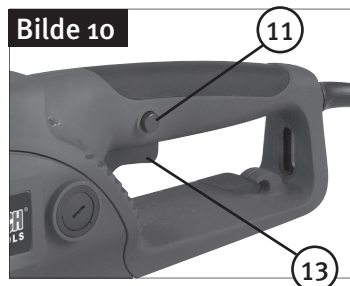
Benytt kun skjøteledning som er godkjent for utendørs bruk og med tilstrekkelig trådareal (min. 1,5 mm<sup>2</sup>, maks. 75 meter lang). Sagen er utstyrt med sikkerhetsstrømbryter: Strømbryter og startspærre på det bakre håndtaket (1) må trykkes inn samtidig for å starte kjedesagen. Sagen må holdes sikkert med begge hender ved start.

Om ikke motoren starter må kastebeskyttelsen/kjedebremsen tilbakestilles: Trykk kastbeskyttelsen (3) bakover, se: Kjedebremse, Tilbakestill kjedebremsen (bilde 3).

Kjedesagen starter med maks. hastighet.

**Stopp kjedesagen:** Slipp strømbryteren (14) og startspærren (12) så stopper sagen etter ca. 1 sekund. Vibrasjoner kan forekomme, det er normalt.

**Alltid etter arbeidets slutt:** Gjør rent kjede og sverd, sett på sverdbeskyttelsen.



## Sikkerhetsforskrifter for kjedesag

**Bruk aldri kjedesagen i regn eller ved høy luftfuktighet.**

**Trekk ut støpselet omgående dersom skjøteledningen er skadet, ta ikke i ledningen, hold kun i støpselet! Arbeid aldri med skadet skjøteledning.**

Kontrollér at kjedesagen er uskadet. Kontrollér også at sagens beskyttelser og sikkerhetsanordninger er i funksjon eller om andre deler er skadet før sagen tas i bruk. Påse at alle bevegelige deler er bevegelige og fungerer bra. Alle deler må være riktig montert og oppfylle alle krav som gjør at kjedesagens funksjon er risikofri for brukeren. Skadde sikkerhetsdetaljer og andre deler må repareres/byttes av servicetekniker om ikke annet oppgis i bruksanvisningen.

## Tenk på følgende ved bruk av kjedesagen

### Kast på sverdet:

Unngå uhell ved å aldri sage med sverdspissen. Om du gjør det kan sverdet plutselig kastes oppover/bakover med stor kraft.

Bruk alltid vernebrille/visir, hørselvern, beskyttelseshansker, værneklær og sko med sagbeskyttelse!

Kast på sverdet er når sagsverdet plutselig kastes oppover/bakover med stor kraft. Det inntrer oftest når spissen på sverdet kommer i kontakt en gjenstand.

Påse at trevirket som sages sitter ordentlig fast, hold det fast ved hjelp av en type låsing ved behov (gjelder spesielt runde og rette emner som kan rotere når sagkjedet legges mot det). Dette medfører også at det blir lettere å bruke kjedesagen med begge hender på en sikker måte.

Kast på sverdet får sagen til å kastes oppover/bakover helt ukontrollert med stor kraft. Kast kan lede til at kjedet blir sløvt og slakt. Et sløvt kjede øker risikoen for kast. Bruk aldri kjedesagen over skulderhøyde.

Kjedets sliping/filing er en svært viktig sikkerhetsdetalj. Et feilslipt kjede kan medføre at sagen blir farlig og ubehagelig å bruke!



## Tips for bruk av kjedesagen

### Vedkapping

Følg disse sikkerhetsregler ved saging: Påse at emnet ligger sikkert så det ikke kan gli/rulle under arbeidet. Forsøk å fikse mindre trekubber før sagingen påbegynnes.

Bruk kjedesagen til kun å sage i tre. Sørg for at ingen stener, spiker eller øvrige gjenstander som kan kastes av gårde eller skade kjedet er i nærheten av sagkjedet under arbeidet. Unngå at kjedet kommer i kontakt med bakken, piggråd etc. Påse at sverdspissen ikke kommer i kontakt med kvister, kapp kun en kvist ad gangen. Sørg for at du står stødig, bruk vernesko med sklisikker såle. Sagen skal alltid stoppes under flytting. Hold ikke hånden på strømbryteren så sagen kan startes utilsiktet dersom du snubler i et hinder.

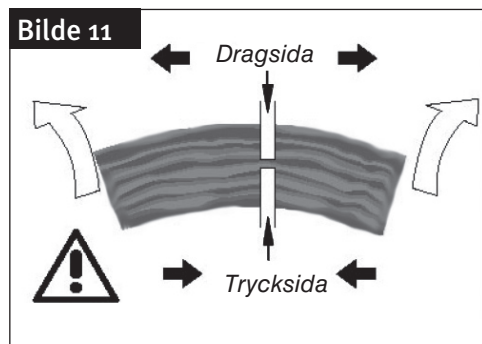
### Husk

- Kjedesagen må startes først så sagkjedet er i bevegelse når sverdet trykkes mot emnet.
- Start sagen ved å trykke inn strømbryter og startsperre på det bakre håndtaket (1) samtidig.
- Sett den nedre delen av barkstøtten (10) mot treemnet og start sagingen. Trekk tilbake kjedesagen noe, og flytt den så emnet er høyere opp på barkstøtten og fortsett å sage.
- Vær forsiktig når du sager i ved som er kløyvet eller sprukket, skarpe fliser kan kastes av gårde.

### Kapping av tre som ligger i spenn

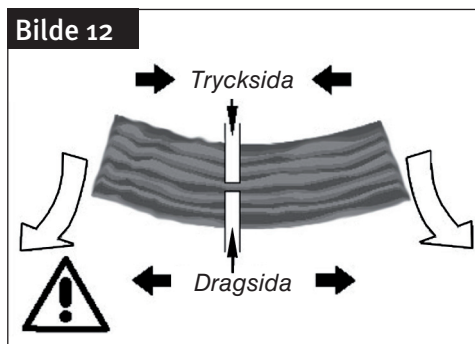
**Advarsel! Vær forsiktig når du håndterer trær som ligger i spenn.**

Tenk etter på hvordan treet er bøyd før du begynner sagingen. Om du sager på den siden av stokken som har sammentrekkende krefter kan sagen kile seg fast, om du sager på den siden som har splittende krefter kan stokken splintres.



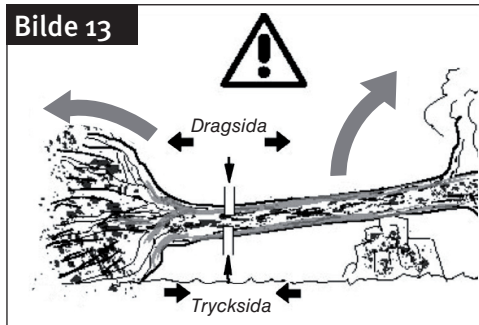
Oversiden er belastet med sammentrekkende krefter, undersiden med splittende krefter.

**Advarsel!** Treet splintres ved kapping.



Undersiden er belastet med splittende krefter, oversiden med sammentrekkende krefter.

**Advarsel!** Treet slår nedover ved kapping.



Oversiden er belastet med sammentrek-kende krefter, undersiden med splittende krefter.

**Advarsel!** Treet slår hurtig oppover med stor kraft og vrir seg ved kapping og rot-velten kan vippe frem- eller bakover. Vær meget forsiktig i dette tilfelle!

## Trefelling

Denne kjedesag er ikke beregnet for trefelling, men først og fremst for kapping. Den kan imid- lertid unntaksvis benyttes ved felling av mindre trær. Spør en erfaren bruker dersom du er det minste usikker på håndtering av sagen eller arbeidsmetode.

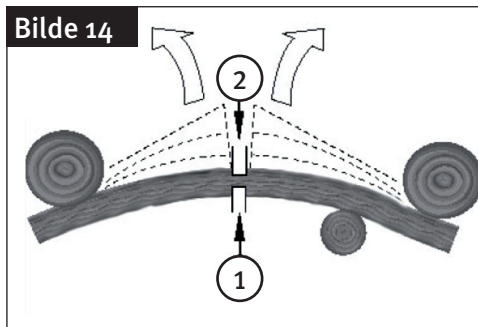
Følgende verneutstyr skal alltid benyttes ved skogsarbeid: Hjelm med hørselvern og visir, bukser med sagbeskyttelse, støvler eller sko med sagbeskyttelse og selvfølgelig førstehjelps- utstyr.

- Små trær kan ofte felles med ett snitt gjennom nesten hele stammen for så å skyves i riktig retning med hender eller skulder (sag ikke helt gjennom, spar litt av stammen for å bruke som "hengsel").
- Større trær krever et retnings-skjær som bestemmer fallretningen.

**Advarsel!** Sørg alltid for at du har en retrettvei klar, rydd unna hindrende busker og kvister ved behov. Innen fellingen påbegynnes, den beste retrettveien (A) er diagonalt bakover mot fallret-ningen (B) (Bilde 15).

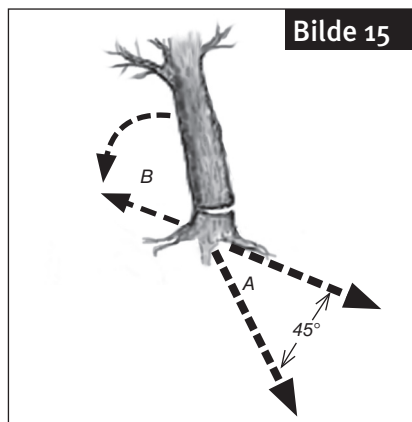
**Advarsel!** Påse at du alltid er på oversiden av treet om marken skråner ved fellingen da treet med størst sannsynlighet kommer til å gli nedover eller rulle etter fellingen.

**Obs!** Trets fallretning (B) bestemmes av retnings- skjæret. Kontrollér før felling om treet luter til en side eller om kvistene er større på én side av treet og derfor har en naturlig fallretning.



Begge sider er belastet med splittende krefter.

**Advarsel!** Treet kan slå til side ved kapping. Vær meget forsiktig i dette tilfelle!



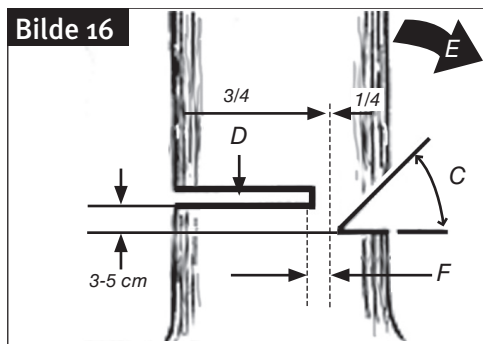
**Advarsel!** Fell aldri et tre om det finnes risiko for at det skal falle på noe som kan skades, hus, gjerde etc. Få hjelp av en erfaren bruker. Fell heller aldri et tre i nærheten av kraft- eller telefonledninger. Kontrollér at ingen tilskuere eller dyr finnes i nærheten før du begynner å sage. Se opp iblant og kontrollér at ingen nærmer seg fellingsområdet.

Normal trefelling består av to moment, retnings skjær (C) og fallskjær (D).

Begynn med det øvre retnings skjæret (C) på den siden av treet som er vendt i fallretningen (E). Lag deretter det nedre retnings skjæret horisontalt så det treffer det øvre retnings skjæret (sag ikke for langt). Retnings skjæret skal være bredt nok til å styre treet under en så stor del av fallet som mulig.

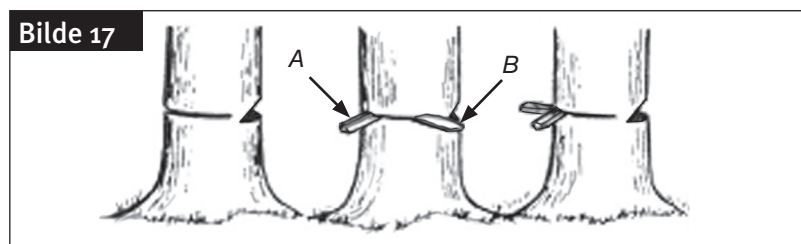
**Advarsel! Gå aldri foran et tre der du har laget et retnings skjær.**

Gjør fallskjæret (D) fra den andre siden av treet og 3 – 5 cm over det nedre retnings skjæret.

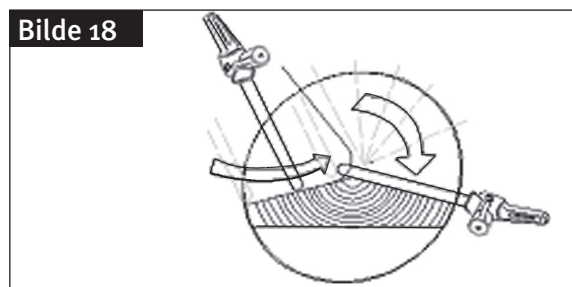


Sag ALDRI helt gjennom den resterende stammen. Etterlat ALLTID et vippepunkt (F), det er vippepunktet som styrer treet under fallet. Om treet blir helt gjennomsaget mister du kontrollen over fallretningen og treet kan falle i hvilken som helst retning. Sett i en fellekile eller brytejern i fallskjæret før sagingen er helt klar, om du sager hele fallskjæret før fellekilen eller brytejernet er plassert i sporet kan treet lute bakover og kile fast sverdet. Kontrollér før fellingen ved hjelp av fellekilen eller brytejernet, at mennesker eller dyr ikke befinner seg i risikoområdet.

**Advarsel! Kontrollér at mennesker, dyr eller andre hindringer ikke finnes i nærheten før du lager det siste sagsnittet.**



1. Benytt fellekiler av plast eller tre (A) for å forhindre at sverdet (B) kiles fast i sagsnittet (Bild 17).
2. Om treet diameter er større enn lengden på sverdet må du lage to skjær (Bilde 18).



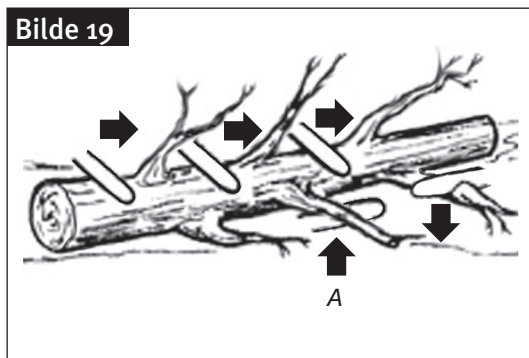
**Advarsel! Når fallskjæret (D) er saget så langt at kun vippepunktet (F) finnes igjen kan treet begynne å falle. I motsatt fall må du benytte fellekile eller brytejern for å hjelpe til.**

Ta bort sagen og stopp motoren, ta noen skritt skrått tilbake langs retrettveien, hold oppsikt over treet når det faller (Bilde 15).

## Kvisting

Kvisting innebærer å sage kvister på et liggende tre. Begynn med å sage av de øverste kvistene, stå på den ene side av treet og kvist på den andre siden av stammen (da har du stammen som beskyttelse mellom deg og sagen). Vær forsiktig ved kapping av kvister som står i spenn. De må kappes fra riktig side ellers setter sverdet seg fast.

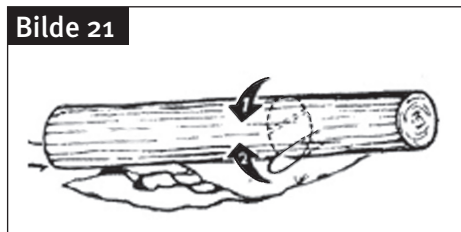
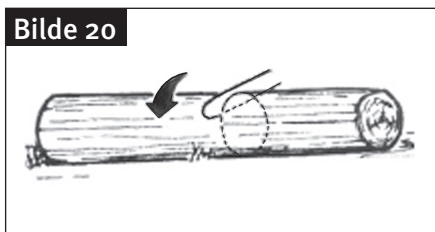
**Advarsel! Stå aldri på stammen under kvisting.**



## Kapping

Ved kapping sages liggende trestammer til annen lengde. Påse at du står stødig og med god balanse, om marken skråner må du stå ovenfor stammen ved kapping. Trestammen skal helst ligge på en bukk eller lignende så den ikke ligger direkte på bakken da det er lett at du sager i bakken og kjedet blir sløvt. Om stammen har støtte i begge ender må du begynne med å dele den på midten. Begynn med å sage halvveis fra oversiden, deretter et møtende snitt fra undersiden. I motsatt fall kan sverdet kiles fast. Vær forsiktig så ikke sagkjedet kommer i kontakt med bakken.

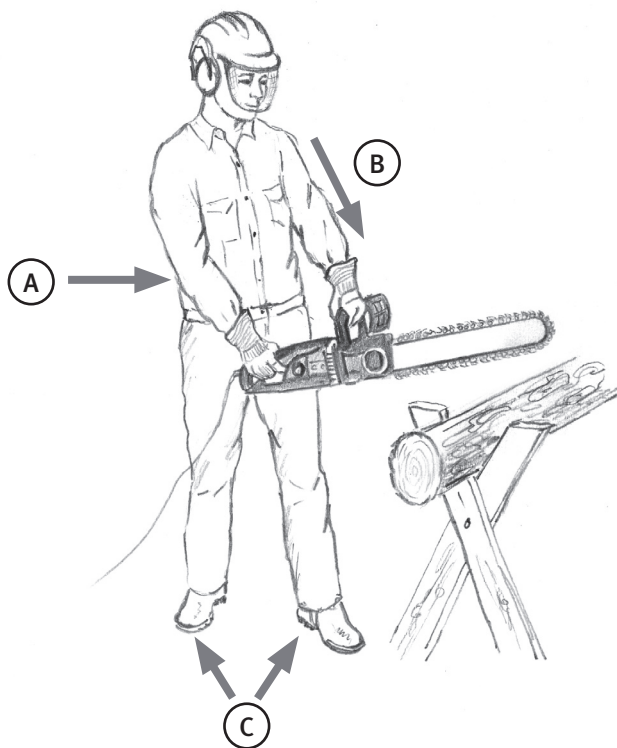
1. En trestamme som har støtte under hele lengden: Sag fra oversiden først, rull deretter stammen og lag et møtende snitt fra oversiden (Bilde 22).
2. En trestamme som har støtte i den ene enden (f.eks. om stammen ligger i en sagkrakk): Sag fra undersiden først (1/3 av diameteren for å unngå splintring) og lag deretter et møtende snitt fra oversiden.
3. En trestamme som har støtte i begge ender: Sag fra oversiden først (1/3 av diameteren for å unngå splintring) og lag deretter et møtende snitt fra undersiden (Bilde 21).



**Obs!** Den beste måten å kappe på er å bruke en form for støtte, gjerne en sagkrakk. Om det ikke er mulig, kan trestammen løftes opp på noe annet. Påse at stammen ligger sikkert så den ikke kan rulle eller falle ned.

## Kapping ved hjelp av en sagkrakk

- A. Hold sagen stødig med begge hender på din høyre side under saging.
- B. Hold venstre arm så rett som mulig.
- C. Stå stødig med vekten fordelt på begge føtter.



## Vedlikehold og rengjøring

**Trekk alltid ut nettkabelens støpsel fra el-uttaket innen service og justering av kjedesa-gen utføres!**

Hold alltid motorens kjøleåpninger fri for flis og smuss. Service og justering som er omtalt i bruksanvisningen kan utføres, all annen reparasjon/justering skal utføres av kyndig person. Produktet må ikke endres eller benyttes på annen måte enn hva som oppgis, det kan da gå ut over sikkerheten ved arbeid med sagen.

## Oppbevaring

Oppbevar sagen på en ren, tørr og plan flate, innelåst eller utenfor rekkevidde for barn når den ikke er i bruk.

## Avfallshåndtering

Når du skal kvitte deg med produktet, skal dette skje i henhold til lokale forskrifter. Er du usikker på hvordan du går fram, ta kontakt med lokale myndigheter.



## Feilsøking

Feil	Årsak	Utbedring
Motoren starter ikke.	Ingen strøm.	Kontrollér el-uttaket, kabel, sikring.
		Skadet kabel: Skift den, anvend aldri en skadet elkabel
		Skadet strømbryter må skiftes av kyndig person.
	Kastbeskyttelse/ Kjedefrens utløst.	Se "Tilbakestille kastbeskyttelse/ kjedefrens (bilde 5)"
	Slitte kullbørster.	La en kyndig person skifte ut børstene.
Kjedet beveger seg ikke.	Kastbeskyttelse/ Kjedebrens utløst.	Se "Tilbakestille kastbeskyttelse/kjedebrens (bilde 3)".
Dårlig kapasitet.	Feilmontert sagkjede.	Feilvend sagkjedet, kontrollér retningen.
	Sløvt sagkjede.	Slip sagkjedet.
	Kjedespenning.	Kontrollér sagkjedets spenning.
Kjedesagen fungerer dårlig, kjedet hopper av.	Kjedespenning.	Kontrollér sagkjedets spenning.
Sagkjedet blir varmt.	Kjedesmøring.	Kontrollér oljenivået.
		Kontrollér kjedesmøringen.

## Tekniske data

Type:	YT4646 / YT4646-UK
Effekt:	2000 W
Turtall (ubelastet)	7600 rpm
Merkespenning:	230V ~, 50 Hz
Skjærehastighet (ubelastet)	13,5 m/sekund
Maks. sagdybde:	35 cm
Vekt (eks. sverd og kjede):	4,8 kg
Garantert lydeffektnivå (LwA):	105 dB (A)
Lydeffektnivå (LwA):	103 dB (A)
Lydtrykknivå:	93 dB (A)
Vibrasjonsnivå:	5,32 m/s <sup>2</sup>
Volum oljebholder:	110 ml
Oljetank, volum:	0,11 liter
Sagkjede:	3/8", 52 lenker
Sagsverd:	35 cm (14")

## **Ketjusaha 2000 W**

TUOTENRO: 18-3039    MALLI: YT4646-UK  
30-9288                      YT4646

Lue käyttöohjeet ennen tuotteen käyttöönottoa ja säilytä ohjeet tulevaa tarvetta varten. Emme vastaa mahdollisista teksti- tai kuvavirheistä, emme myöskään teknisten tietojen muutoksista. Ongelmien ilmetessä ota meihin yhteyttä (yhteystiedot takasivulla).

**Varoitus! Vältä tulipalot, sähköiskut ja loukkaantumiset ja noudata aina seuraavia ohjeita, kun käytät sähkökäyttöisiä käsityökaluja.**

**Poista aina pistoke pistorasiasta ennen koneen huoltoa ja säätöä.**

### **Yleisiä turvallisuusohjeita turvallisuuden takaamiseksi**

1. Pidä työtilat siisteinä.  
Täynnä tavaraa olevat työtasot ovat avoin kutsu onnettomuudelle.
2. Älä käytä konetta vaarallisessa ympäristössä.  
Sähkökäyttöisiä koneita ei saa käyttää kosteissa ja märissä tiloissa eikä sateella. Huolehdi työpisteen riittävästä valaistuksesta. Huolehdi myös pölynpoistosta. Älä käytä sähkökäyttöisiä työkaluja paikoissa, joissa on tulipalon tai räjähdyksen vaara!
3. Vältä sähköiskuja!  
Vältä kontaktia maadoitettuihin esineisiin, kuten vesijohtoihin, lämpöpattereihin, lieteen ym. työskennellessäsi sähkötyökalulla.
4. Pidä lapset ja vierailijat loitolla. Heidän tulee olla riittävän kaukana työpisteestä.
5. Säilytä laite poissa lasten ulottuvilta!
6. Älä pakota konetta.  
Anna koneen työskennellä puolestasi oikealla nopeudella.
7. Käytä oikeita työkaluja.  
Älä pakota konetta tai lisälaitetta työtehtävään, johon laite ei sovellu.
8. Käytä sopivia vaatteita.  
Älä käytä löysiä vaatteita, käsineitä, kaulaketjuja, sormuksia, rannerengasta tai muita koruja, jotka voivat tarttua liikkuviin osiin. Liukuestekengät lisäävät turvallisuutta. Pitkät hiukset tulee suojata hiusverkolla tai vastaavalla.
9. Käytä aina suojalaseja.  
Käytä aina suojalaseja, tavalliset silmälasit eivät anna riittävästi suojaa! Käytä myös hengityssuojainta ja suojanaamaria, jos pölyä on paljon.
10. Käytä pölynpoistoa.  
Käytä pölynpoistoa pölyn ja lastujen imemiseen, mikäli laitteessa on tämä toiminto. Käytä välineitä oikealla tavalla ja tyhjennä ne säännöllisesti.
11. Käsittele sähköjohtoa varoen!  
Älä kanna konetta johdosta. Kun irrotat pistokkeen, vedä pistokkeesta, älä johdosta. Johtoa ei saa altistaa kuumuudelle, öljylle tai teräville esineille.
12. Kiinnitä materiaali kunnolla.  
Käytä esim. ruuvipuristinta, mikäli mahdollista. Näin kätesi jäävät vapaaksi, ja voit työskennellä molemmin käsin. Tämä on turvallisempaa kuin työkalupaleesta kiinni pitäminen.

# Suomi

13. Älä kurota liian kauas.  
Varmista, että työasentosi on tasapainoinen työn jokaisessa vaiheessa.
14. Pidä työvälineet kunnossa.  
Varmista työvälineiden puhtaus ja terien terävyys. Näin työskentely on turvallisempaa ja tehokkaampaa ja lopputulos parempi. Noudata voiteluohjeita ja varusteiden vaihtamisesta annettuja ohjeita. Tarkista virtajohto säännöllisesti. Anna sähkömiehen vaihtaa vioittunut virtajohto. Tarkista johdot säännöllisesti ja varmista että ne ovat kunnossa. Varmista, että työkalun kahvat, säätimet ym. ovat puhtaita, ja että niissä ei ole öljyä ym.
15. Katkaise virta.  
Irrota pistoke ja paina hätäkatkaisinta ennen huoltoa ja laitteiden vaihtoa, esim. höylän terät, poranterät, hiomanauhut ja terät.
16. Poista kaikki avaimet ja työkalut.  
Ota tavaksesi poistaa ne koneesta ennen virran kytkemistä.
17. Vältä tahatonta käynnistystä.  
Konetta kannettaessa sormi ei saa olla virtakytkimellä/liipaisimella johdon ollessa seinässä. Kun pistoke liitetään pistorasiaan, tulee virtakytkimen olla OFF-asennossa.
18. Käytä oikeita jatkojohtoja.  
Käytä ulkona ainoastaan ulkokäyttöön tarkoitettuja jatkojohtoja. Jatkojohdon johtimen pinta-alan tulee olla riittävä. Kierrä koko johto auki.
19. Käytä tervettä järkeä ja ole varovainen. Suunnittele työvaiheet etukäteen, niin työ sujuu turvallisemmin! Älä käytä laitetta väsyneenä, lääkkeiden vaikutuksen alaisena jne.
20. Varmista, että osat ovat kunnossa!  
Varmista ennen koneen käynnistämistä, että kaikki suojat ja muut osat ovat kunnossa ja toimivat moitteettomasti. Huolehdi siitä, että liikkuvat osat liikkuvat vapaasti ja että ne on suunnattu oikein, eivätkä jää kiinni. Tarkista myös, ettei koneessa ole muita vikoja tai työskentelyyn vaikuttavia seikkoja. Ainoastaan ammattilainen saa vaihtaa tai korjata vioittuneet suojat ja muut osat. johdot ja virtakytkimet. Älä käytä työkalua, mikäli et voi käynnistää ja sammuttaa sitä turvallisesti.
21. Käytä suositeltuja lisälaitteita.  
Muiden kuin suositeltujen lisälaitteiden käyttö saattaa johtaa onnettomuuksiin tai henkilövahinkoihin.
22. Korjauksen saa suorittaa ainoastaan ammattihenkilö.  
Laitte on voimassa olevien turvallisuusvaatimusten mukainen. Laitteen saa korjata vain ammattilainen. Korjauksessa tulee turvallisuussyistä käyttää ainoastaan alkuperäisosa.
23. Sähkötyökalut tulee turvallisuussyistä liittää vikavirtasuojakytkimen kautta. Tuotteeseen ei saa tehdä muutoksia, eikä sitä saa käyttää muihin, kuin sille tarkoitettuihin työtehtäviin. Varmista säännöllisesti, että ruuvit ja mutterit ovat kireällä.



## Tuotteen merkinnät ja turvallisuussymbolit



Varoitus!



Irrota pistoke välittömästi, mikäli johto vioittuu. Älä koske johtoon, vaan ainoastaan pistokkeeseen!



Älä altista laitetta sateelle ja kosteudelle



Lue käyttöohje!

Lue koko käyttöohje, noudata turvallisuusohjeita ja varoituksia.



Käytä aina turvakypärää, suojalaseja/visiiriä ja kuulosuojaimia!



Sammuta laite ja irrota virtajohdon pistoke pistorasiasta ennen puhdistusta ja huoltoa sekä silloin, kun laitetta ei käytetä!

## Ketjusahan turvallisuusohjeita

### Turvallisuusohjeita

Noudata turvallisuusohjeita, kun käytät sahaa. Lue tämä käyttöohje huolellisesti oman ja muiden turvallisuuden vuoksi. Säästä ohje myös myöhempää käyttöä varten. Käytä sahaa vain puun sahaamiseen. Älä sahaa muita materiaaleja. Muiden materiaalien sahaaminen tapahtuu käyttäjän omalla vastuulla ja saattaa olla vaarallista. Valmistaja tai jälleenmyyjä eivät vastaa asiantuulomattomasta käytöstä aiheutuneista vahingoista.

### Turvallisuusohjeita ja onnettomuuksien välttäminen

Vältä sahan asiantuulomaton käyttö ja lue koko käyttöohje ennen kuin otat sahan käyttöön ensimmäistä kertaa. Kaikki ketjusahan käyttöä koskeva tieto on tärkeää oman turvallisuutesi kannalta.

Anna sahausmenetelmien ammattilaisen neuvoa sahan ja turvatarvikkeiden käytössä ennen kuin sahaat sahaalla ensimmäisen kerran! Aloita sahaamalla puita sahauspukilla ennen kuin siirryt vaativampiin sahausmenetelmiin.

- Varmista ennen virtajohdon liittämistä pistorasiaan, etteivät virtajohto ja pistoke ole vioittuneet tai kuluneet. Vioittunut virtajohto tulee vaihtaa välittömästi. Ainoastaan ammattihenkilö saa vaihtaa virtajohdon.
- Älä käytä sahaa, mikäli virtajohto tai pistoke ovat vioittuneet tai mikäli jatkojohto ei täytä siihen kohdistuvia vaatimuksia. Irrota pistoke välittömästi, mikäli jokin osa on vioittunut.
- Sammuta ketjusaha ja anna sen pysähtyä täysin ennen takapotkusuojan palauttamista.

# Suomi

- Käytä aina suojakäsineitä ja suojalaseja sahaa käsitellessäsi.
- Estä onnettomuudet ja käytä sopivankokoisia vaatteita, jotka eivät juutu sahan liikkuviin osiin. Käytä myös turvajalkineita.
- Suojaa kuulosi ja käytä kuulosuojaimia. Suosittelemme, että käytät kypärää, jossa on visiiri ja kuulosuojaimet.
- Seiso vakaasti ja huolehdi hyvästä tasapainosta sahaa käsitellessäsi.
- Pidä työskentelyalue siistinä ja järjestyksessä.
- Estä sähköiskut välttämällä kosketusta maadoitettujen osien kanssa.
- Irrota pistoke aina ennen ketjusahan huoltoa ja puhdistusta.
- Varmista, että virtakytkin on asennossa ”pois päältä” ennen kuin liität pistokkeen seinäpistorasiaan.
- Ketjusahaa saa käyttää vain yksi henkilö kerrallaan. Huolehdi siitä, että muut henkilöt ovat riittävän matkan päässä ketjusahan vaara-alueelta; ole erityisen tarkkana lasten ja eläinten kanssa.
- Varmista ennen käynnistystä, ettei teräketju ole kosketuksissa vieraisiin esineisiin.
- Pidä sahasta kiinni tukevasti molemmin käsin käytön aikana.
- Alaikäiset eivät saa käyttää ketjusahaa, mutta 16 vuotta täyttäneet saavat käyttää sahaa aikuisen valvonnassa, mikäli käyttö liittyy nuoren koulutukseen. Ketjusahan saa luovuttaa ainoastaan henkilöille, jotka ovat tutustuneet käyttöohjeeseen ja osaavat käyttää sahaa. Kun lainaat sahaa muille, lainaa samalla myös käyttöohje!
- Säilytä sahaa paikassa, johon lapset eivät pääse.
- Ainoastaan terveet ihmiset saavat käyttää ketjusahaa. Älä käytä ketjusahaa väsyneenä, humaltuneena, lääkkeiden vaikutuksen alaisena jne. Pidä tauko, jos tunnet itsesi väsyneeksi työn aikana.
- Älä altista ketjusahaa sateelle tai kosteudelle. Huolehdi työtilan riittävästä valaistuksesta. Älä käytä ketjusahaa paikoissa, joissa on palavia nesteitä tai kaasuja.
- Varmista, että ketjusaha on lasten ulottumattomissa ja että pistoke on irrotettu, kun pidät tauon työssä.
- Aseta kuorituki aina sahattavaa materiaalia vasten ennen sahauksen aloittamista.
- Irrota terälevy puukappaleesta ainoastaan teräketjun liikkuesssa.
- Älä käytä sahaa tikapuilla, puussa tai muualla, missä et voi seistä vakaasti ja tasapainoa säilyttäen. Älä sahaa koskaan yhdellä kädellä, vaan pidä aina sahasta kiinni kaksin käsin.
- Virtajohdon ja jatkojohdon tulee aina olla käyttäjän takana.
- Virtajohto tulee aina johtaa ketjusahasta pois päin.
- Käytä ainoastaan alkuperäisosa.
- Kun sahaat ulkona, liitä ketjusaha vikavirtasuojakytkimen kautta.
- Älä ylikuormita sahaasi. Saha toimii parhaiten tietyllä hyötysuhdealueella.
- Käytä aina oikein mitoitettuja tuotteita. Älä käytä pienitehoista ketjusahaa liian raskaisiin töihin.
- Käytä virtajohtoa ainoastaan oikeaan tarkoitukseen. Älä kanno sahaa johdosta. Älä irrota pistoketta johdosta vetämällä, vaan pidä kiinni pistokkeesta kun irrotat virtajohdon. Älä altista virtajohtoa kuumudelle, öljylle ja teräville reunoille.

# Suomi

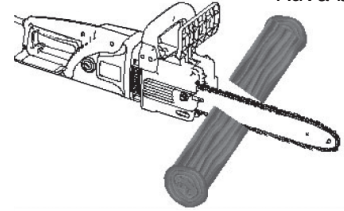
- Jos sahaat ulkona, käytä ainoastaan ulkokäyttöön soveltuvia jatkojohtoja.
- Varmista, että sahattavat puut on tuettu kunnolla, kun sahaat työstettyä materiaalia tai ohuita oksia (Kuva a). Älä kasaa puita, älä anna muiden pitää kiinni puusta, äläkä pidä itse kiinni puusta jalalla sahauksen aikana.

Kuva a

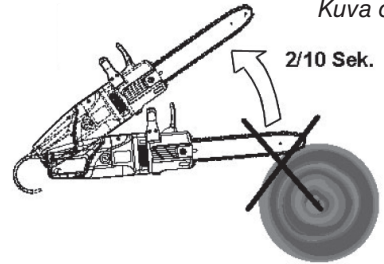


- Runkojen tulee olla vakaita, kun niitä sahataan.
- Mikäli työskentelet rinteessä, työskentele aina ylöspäin kääntyneenä.
- Pidä kuoritukea aina katkaistavaa puuta vasten (katso kuva a).
- Laita kuorituki aina puuhun kiinni ennen sahauksen aloittamista. Käynnistä saha ja aloita sahaaminen. Vie ketjusahan takaosaa ylöspäin ja päätä suunta etukahvalla. Käytä kuoritukea tukipisteenä. Kun vaihdat sahausasentoa, keskeytä sahaus ja paina kevyesti etukahvalla. Vedä sahaa hieman taaksepäin, laita kuorituki syvemmäs leikkauskohtaan ja vie takakahvaa ylöspäin (katso kuva b).
- Vedä terälevy sahausurasta ja pidä ketju liikkeessä.
- Jos sahaat useita kertoja, sammuta ketjusaha välissä.
- Ainoastaan ammattilaiset saavat sahata pistosahaus- ja vaakatasosahausmenetelmillä suuren takapotkuvaaran takia (katso kuva c).
- Käytä vaakatasosahauksessa pienintä mahdollista kulmaa. Tämä vaatii suurta tarkkaavaisuutta, sillä kuoritukea ei voida käyttää tässä tapauksessa.
- Mikäli teräketju juuttuu kun sahaat terälevyn yläosalla, saattaa sahaa lentää sinua kohti. Tämän vuoksi sahalla kannattaa aina sahata oikein päin, eli terälevyn alapuolella, sillä tällöin saha lentää pois päin itsestäsi kohti puuta (katso kuva d ja e).
- Ole erityisen tarkkana, kun sahaat halkaistua puuta. Halkaistun puun säleät saattavat lennellä eri suuntiin. **Onnettomuusvaara!**

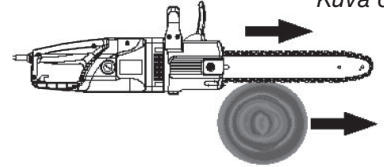
Kuva b



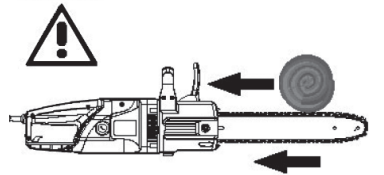
Kuva c



Kuva d



Kuva e



# Suomi

- Älä käytä ketjusahan terää sahattujen oksien siivoamiseen.
- Kun katkaiset oksia rungosta, tulee ketjusahan mahdollisuuksien mukaan nojata puun runkoon. Älä sahaa terälevyn kärjellä, se aiheuttaa vakavan takapotkun vaaran (katso kuva c).
- Ainoastaan ammattilaiset saavat katkaista oksia. Onnettomuusvaara!
- Ole erityisen tarkkana jännittyneiden oksien kanssa. Älä sahaa roikkuvia oksia altapäin.
- Älä seiso puun rungon päällä kun sahaat oksia.
- Ketjusahaa ei saa käyttää metsätöihin, kuten puiden kaatoon ja oksien katkomiseen metsässä. Koska ketjusaha toimii sähkövirralla, se ei ole riittävän liikuteltava eikä turvallisuutta voida taata.
- Tarkkaile kaatuvia puita - pysy loitolla.
- Varo kaatuvasta puusta tippuvia oksia astuessasi taaksepäin.
- Jos sahaat rinteessä, seiso rungon vieressä tai yläpuolella – älä koskaan alapuolella.
- Varo rullaavia runkoja, ne aiheuttavat suuren takapotkuvaaran.
- Ketjusaha saattaa lentää taaksepäin, mikäli ketju koskettaa vahingossa puuta tai muuta kiinteää materiaalia. Tässä tapauksessa ketjusaha käyttäytyy arvaamattomasti ja saattaa paiskautua voimakkaasti kohti käyttäjää, mikä aiheuttaa suuren loukkaantumisvaaran.

## Noudata seuraavia ohjeita minimoidaksesi takapotkun vaaran

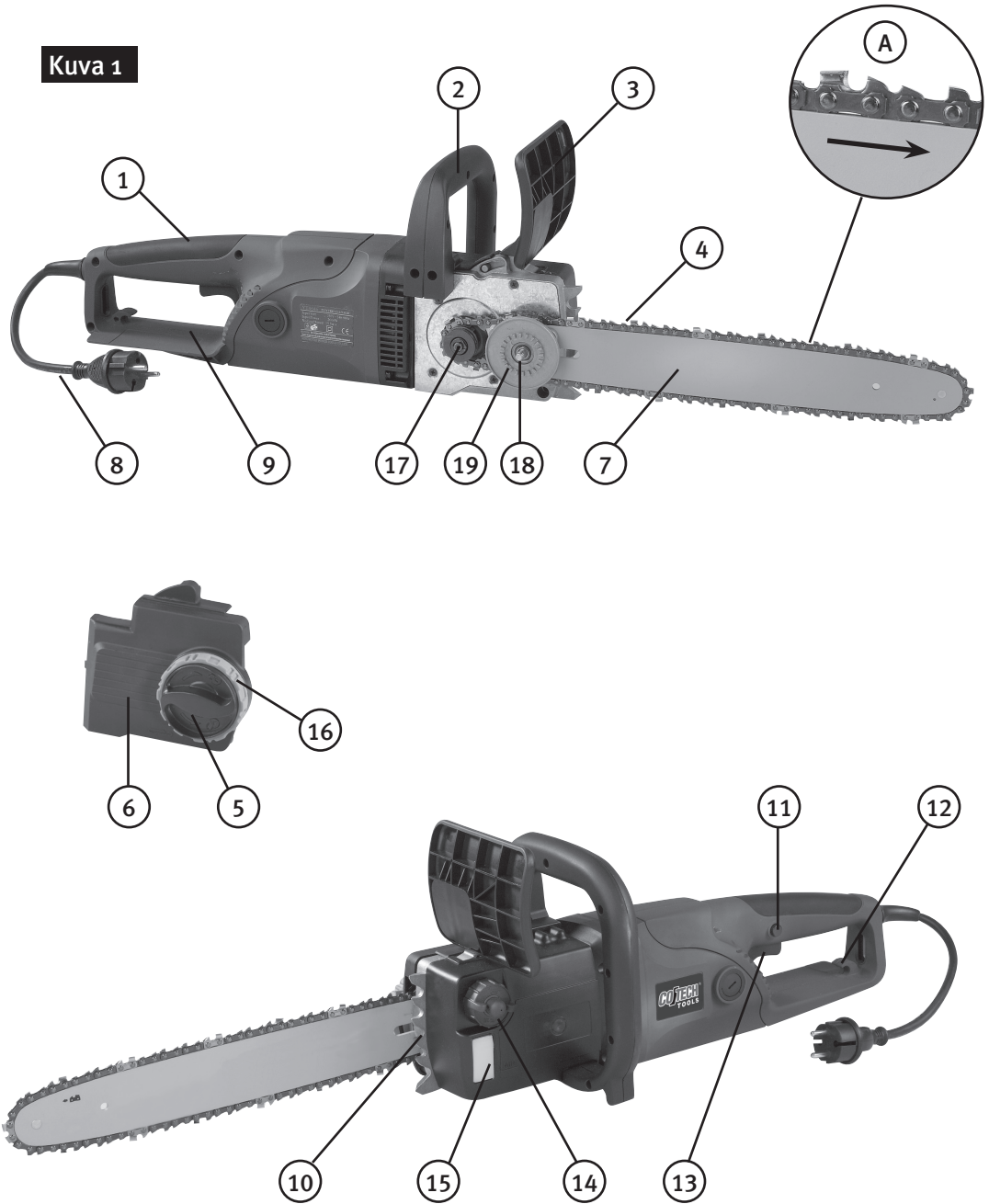
- Älä aloita sahaamista terälevyn kärjellä!
- Älä sahaa koskaan terälevyn kärjellä! Ole varovainen, kun jatkat jo aloitetun sahauskohdan sahaamista.
- Käynnistä ketjusaha siten, että ketju on liikkeessä ennen sahauksen aloittamista.
- Pidä ketju aina terävänä ja oikein viilattuna (käytä viilausmallia, jos et hallitse vapaalla kädellä viilausta, tai jätä ketjun teroittaminen ammattilaiselle).
- Saha ainoastaan yhtä oksaa kerrallaan.
- Saha varoen, jos useita runkoja on lähekkäin katkaisun aikana. Suosittelemme sahauspukin käyttämistä.

## Ketjusahan siirtäminen ja käsitteleminen

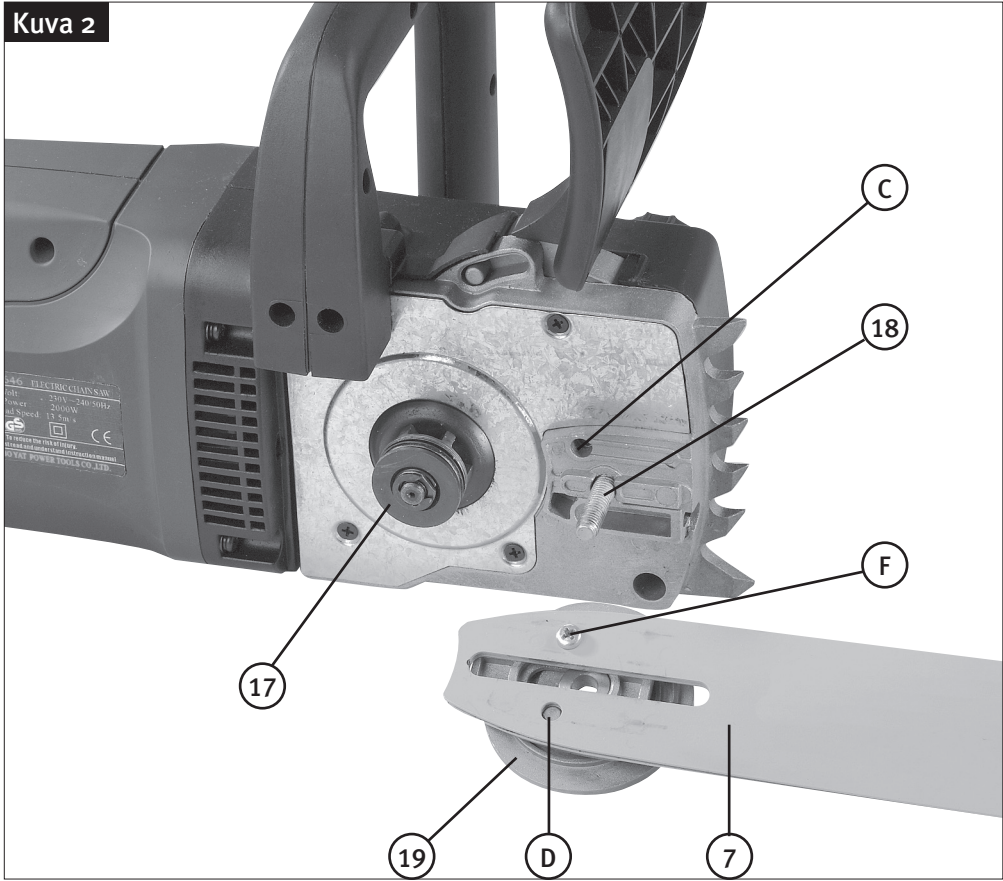
Irrota pistoke ja laita teräsuojus paikalleen ennen sahan siirtämistä. Sammuta saha sahaus-ten välillä, jos sahaat useita sahauskertoja.

Kuvaus

Kuva 1



Kuva 2



- |  |   |
|--|---|
| 1. Takakahva                               | 11. Turvalukitus                          |
| 2. Etukahva                                | 12. Johdon kiinnike                       |
| 3. Takapotkusuojaus/ketjijarrun laukaisija | 13. Virtakytkin                           |
| 4. Teräketju                               | 14. Öljysäiliön kansi                     |
| 5. Terälevyn lukitusnappi                  | 15. Öljysäiliö                            |
| 6. Teräketjun vetopyörän kupu              | 16. Teräketjun kiristin                   |
| 7. Terälevy                                | 17. Ketjuvetopyörä                        |
| 8. Virtajohto                              | 18. Terälevypultti                        |
| 9. Taaempi sormisuoja/ketjunkatkeamissuoja | 19. Ketjun kiristimen kiristysrenkas      |
| 10. Kuorituki                              | 21. Ketjuöljyn täyttöaukko (katso kuva 7) |

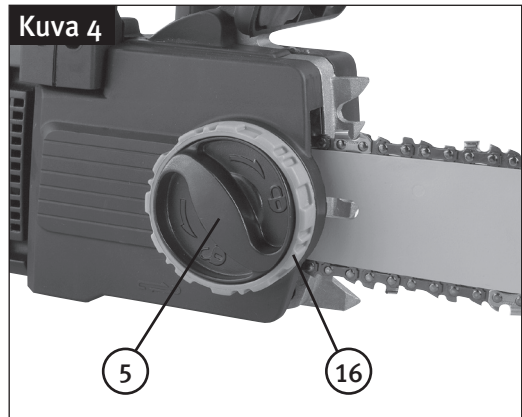
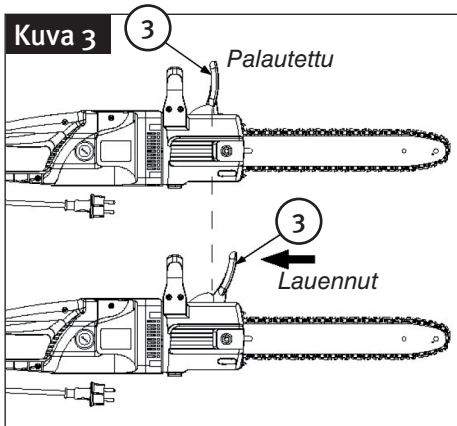
## Ennen käynnistämistä

Varmista, että sahan merkkikilvessä lukeva jännite on sama kuin pistorasiasi jännite. Varmista aina ennen käynnistämistä, että ketjusaha on ehjä ja että sen käyttö on turvallista. Varmista myös, että ketjun voitelu toimii ja että öljysäiliössä on ketjuöljyä (katso kuva 7). Lisää ketjuöljyä viimeistään siinä vaiheessa, kun öljy on "MIN"-tasolla. Voitelu toimii hyvin silloin, kun öljytaso ylittää "MIN"-merkinnän. Tarkasta ketjun voitelu seuraavalla tavalla: Käynnistä saha ja pidä ketjua noin 20 cm:n korkeudella puusta tai muusta vaaleasta kohteesta. Öljyä lentää ketjusta ja se näkyy vaalealla alueella, kun voitelu toimii. Mikäli kohteessa ei näy öljyläikkiä, puhdista öljyn ulostuloaukko (kuva 2, C) ja terälevyn ylempi kiristysreikä (kuva 2, D), tai ota yhteys huoltoliikkeeseen tai jälleenmyyjään. (Lue kohta "Ketjuöljyn täyttäminen, ja ketjun voitelu"). Tarkasta ketjun kireys ja säädä tarvittaessa. (Lue kohta "Ketjun kireys") Tarkasta, että takapotkusuoja/ketjujarru toimivat. (Lue kohta "Takapotkusuojan/ketjujarrun palauttaminen").

Terälevyn ja teräketjun asentaminen

Pistoke ei saa olla pistorasiassa.

**Tärkeää: takapotkusuojan (3) ja ketjujarrun tulee olla taka-asennossa (Kuva 3).**



Terälevyä ja teräketjua ei ole asennettu toimitusvaiheessa. Ketjusahassa on uudentyyppinen ketjun kiristys ja terälevyn lukitus, jotka koostuvat kahdesta osasta:

### A. Yhdistetty kiristys-/lukitusnappi, joka on ketjukotelossa

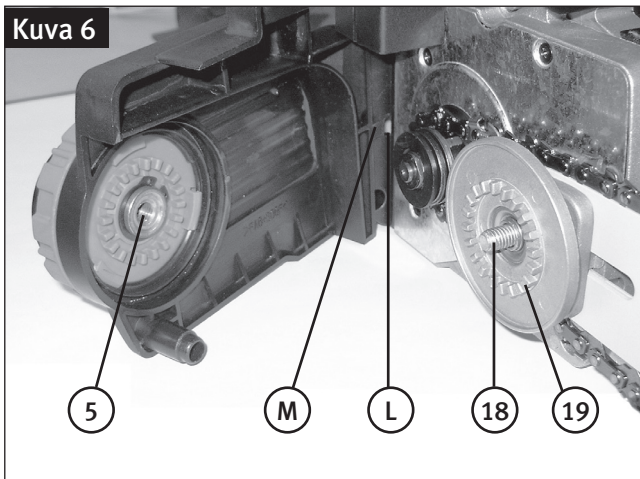
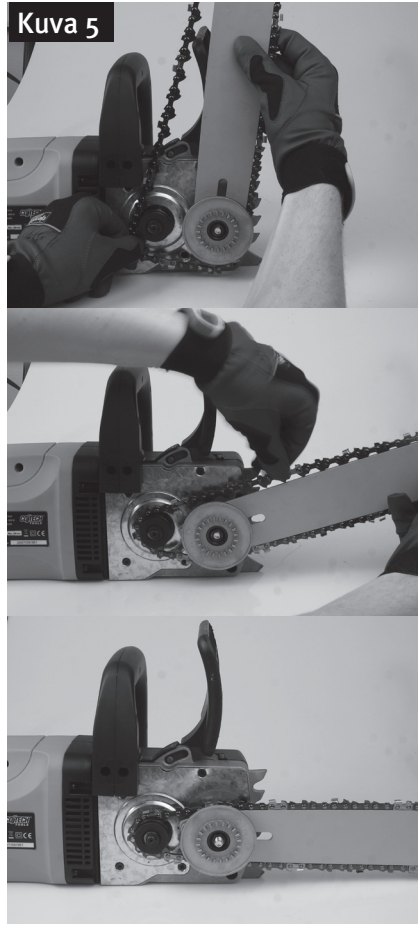
Kiristys-/lukitusnappi koostuu kahdesta osasta: Musta keskivipu (5) terälevyn lukitsemista varten (ja ketjun kireyden säädön lukitsemista varten) ja ulompi vipu (16) ketjun kireyden säätämiseksi. (Katso kuva 4).

### B. Terälevyn asennettu ketjun kireyden säätönappi

Kiristysnappi (19) on asennettu terälevyn ruuvilla (F), alemman reiän läpi ja ohjaustapilla terälevyn ylemmässä reiässä (D). (Katso kuva 5).

## Asenna terälevy ja teräketju seuraavalla tavalla

1. Ruuvaa keskikampea (5) vastapäivään ja irrota ketjuvetopyörän kupu (6).
2. Asenna teräketju terälevyyn. Varmista, että ketju tulee oikein päin.
3. Aseta teräketju moottorisahan teräpultin päälle ja suuntaa terälevy ja ketju suoraan ylöspäin.
4. Laita teräketju vetopyörään.
5. Taita tämän jälkeen terälevy alas. Varmista, että ketju tulee oikein terälevyn uraan ja moottorisahan vetopyörään.
6. Asenna nyt ketjuvetopyörän kupu (6) so-  
vittamalla kuvun takareunassa oleva korko (M) kohti sahan reikää (L) ja taita kupu siten, että keskivipu (5) on teräpultin (18) kohdalla. Kierrä mustaa keskivipua (5) myötäpäivään teräpultin kierteisiin, kiristä nyt ketju kääntämällä ulompaa vipua (16) myötäpäivään. (Sisempi kampi (5) on tarkoitettu ainoastaan terälevyn lukitsemiseen ja ulompi kampi (16) ketjun kiristämiseen).



7. Tarkasta ketjun kireys: Ketjua voi nostaa noin 5 mm terälevyn keskikohdalta, kun terä on sopivan kireällä. Säädä tarvittaessa: Löysennä mustaa keskikampea kiristys-/lukitusnupilla, säädä ketjun kireys kääntämällä ulompaa nuppia, lukitse terälevy ja myös säädetty ketjun kireys kiristämällä musta keskikampi.



## Ketjun kireys

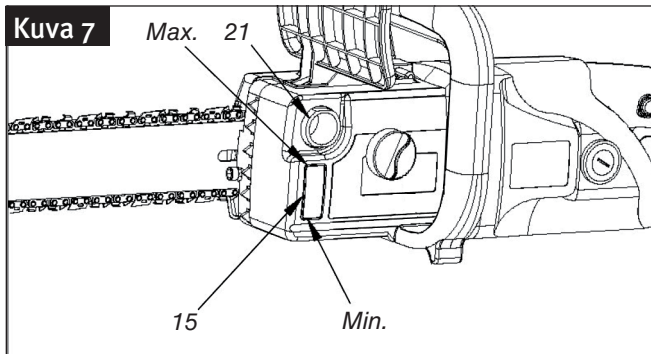
**Poista aina pistoke pistorasiasta ennen sahan huoltoa ja säätöä!  
Käytä suojakäsineitä!**

### Säädä ketjun kireys

1. Tarkasta ensin ketjun kireys: Ketjua voi nostaa noin 5 mm terälevyn keskikohdalta, kun terä on sopivan kireällä.
2. Säädä tarvittaessa: Löysennä kiristys-/lukitusnupin mustaa keskikampea (5), säädä ketjun kireys ulommalla kammella (16).
3. Kiristä mustaa keskikampea lukitaksesi terälevyn ja myöskin säädetyn ketjünkireyden (tarkasta ennen kiristämistä, että teräketju on oikeassa kohdassa vetopyörässä ja terälevyn ohjausurassa koko matkalta).

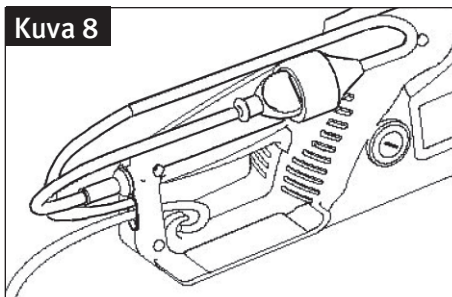
## Ketjuöljyn täyttäminen

Puhdista öljykorkki ja sen ympäristö ennen kuin avaat sen, sillä muuten öljysäiliöön saattaa joutua roskaa. Avaa korkki ja lisää ketjuöljyä, öljyn taso näkyy öljysäiliön (15) täyttöreian alla. Täytä säiliö, sulje korkki ja pyyhi mahdolliset ylivuotaneet öljyt.



## Jatkojohdon kiinnittäminen ketjusahaan

Käytä ainoastaan ulkokäyttöön sopivia jatkojohtoja, joissa on riittävä johtimen pinta-ala (vähintään 1,5 mm<sup>2</sup>, pituus maks. 75 metriä). Kiinnitä jatkojohto takakahvaan kuvan osoittamalla tavalla. Yli 30 metrin pituisen jatkojohdon käyttäminen saattaa aiheuttaa jännitehäviötä, mikä heikentää ketjusahan käyntiä.



## Ketjun voitelu

Teräketjua ja terälevyä tulee voidella käytön aikana. Voitelun puute tai riittämätön voitelu aiheuttaa kulumista. Ketjuvoitelu on automaattinen. Älä sahaa ilman toimivaa ketjuvoitelua. Sekä terälevy että teräketju vahingoittuvat nopeasti ilman voitelua. Tämän vuoksi voitelun toiminta ja öljytaso tulee tarkistaa jokaisella käyttökerralla. (Kuva 7).

Älä käytä sahaa öljytason ollessa alle "MIN"-tason.

- Min: Lisää öljyä, kun öljytaso alittaa "MIN"-merkinnän tai on 5 mm öljysäiliön (16) "ikkunan" alla.
- Max: Täytä öljyä, kunnes koko "ikkuna" on täynnä.

## Ketjuvoitelun tarkastaminen

Tarkasta ketjun voitelu seuraavalla tavalla: Käynnistä saha ja pidä ketjua noin 20 cm:n korkeudella puusta tai muusta vaaleasta kohteesta. Öljyä lentää ketjusta ja se näkyy vaalealla alueella, kun voitelu toimii. Mikäli kohteessa ei näy öljyläikkiä, puhdista öljyn ulostuloaukko (C) ja terälevyn ylempi kiristysreikä (D) (kuva 2), tai ota yhteys huoltoliikkeeseen tai jälleenmyyjään. Varo, ettei ketju kosketa maata tarkastamisen aikana.

## Ketjuöljy

Teräketjun ja terälevyn elinikä riippuu käytettävästä ketjuöljystä. Käytä ainoastaan ketjuöljyä, älä koskaan muita öljyjä. Käytä ympäristöystävällistä ketjuöljyä ja säilytä öljyä sille tarkoitettussa säiliössä.

## Terälevy

Terälevy (7) kuluu eniten kärjestä ja alapuolelta. Käännä terälevy ketjun viilaamisen yhteydessä, jotta terälevy kuluu molemmilta puolilta. Viilaa pois mahdolliset jäysteet litteällä viilalla.

## Ketjuvetopyörä

Ketjuvetopyörä (17) kuluu paljon. Tarkasta ja vaihda vetopyörä tarvittaessa. Kulunut vetopyörä kuluttaa uuden teräketjun nopeasti. Kun vetopyörä tulee vaihtaa, ota yhteys huoltoliikkeeseen tai jälleenmyyjään.

## Teräsuoja

Laita teräsuoja aina heti paikoilleen, kun lopetat sahauksen tai sahan säilytykseen tai kuljetuksen ajaksi.

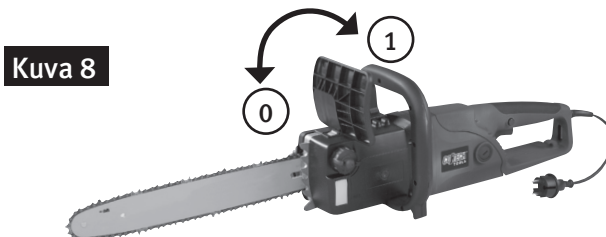
## Takapotkusuoja/ketjujarru

Takapotkun sattuessa ketjujarru aktivoituu, kun takapotkusuoja (3) osuu käteen ja menee päälle osumisen voimasta. Moottori sammuu tällöin 0,15 sekunnissa. (kuva 3).

## Takapotkusuojan testaus

**Varoitus! Ketjujarrun toiminta tulee tarkastaa ennen jokaista käyttökertaa.**

Pidä ketjusahasta kiinni molemmin käsin. Käynnistä saha ja paina ranteella takapotkusuoja eteenpäin (asentoon "0"), teräketjun tulee pysähtyä välittömästi.



Kuva 8

## Takapotkusuojan/ketjujarrun palauttaminen

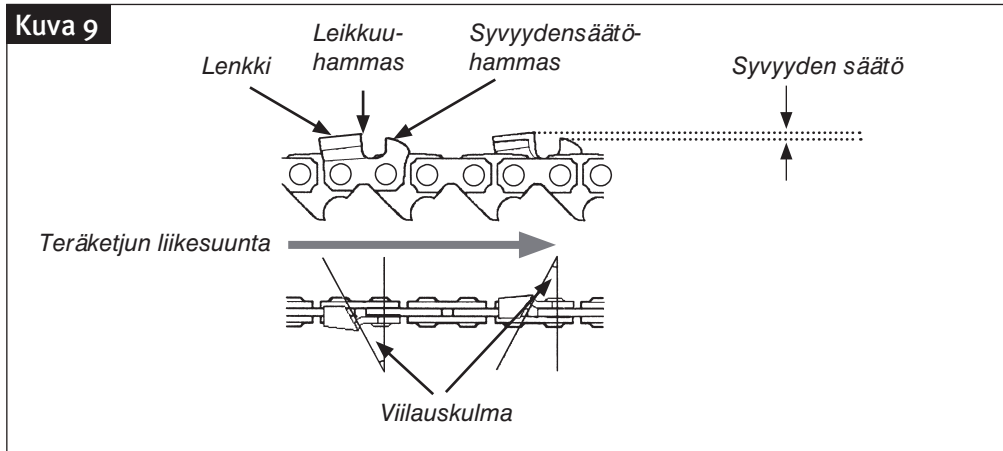
Lauennut ketjujarru tulee palauttaa, ennen kuin ketjusaha voidaan käynnistää uudelleen: Sammuuta ketjusaha (päästä virtakytkin), ja paina takapotkusuojaa (3) taaksepäin, kunnes se lukittuu taka-asentoon (kuva 3). Nyt ketjujarrun suoja toiminto on palautettu.

Kun teräketju tylsyy ja sahaaminen hidastuu, teräketju tulee teroittaa (viilata) tai vaihtaa uuteen.

**Huom!** Viilaaminen sujuu helpoimmin, kun käytetään viilamallia. Lue viilamallin käyttöohje ennen viilaamisen aloittamista.

### Viilaa ketju seuraavalla tavalla:

- Irrota pistoke pistorasiasta.
- Suojaa kädet suojakäsineillä.
- Tarkasta ketjun kireys.
- Paina ketjujarrun laukaisukahva eteen, jotta takapotkusuoja aktivoituu ja lukitsee terän terälevyyn.
- Käytä pyöreää viilaa, jonka halkaisija on 4 mm.
- Viilaa vaakasuoraan (horisontaalisesti) kohti terälevyä 38°:een kulmassa terän liikkumissuuntaan nähden.



- Viilaa jokainen liike ulospäin/eteenpäin ketjun liikesuuntaan nähden.
- Viilaa jokainen terä yhtä monella vedolla, jotta teräketju teroituu tasaisesti ja symmetrisesti.
- Tarkasta syvyydensäätöhampaiden korkeus aina viiden teroituskerran välein. Mikäli syvyydensäätöhampaat kaipaavat viilausta, viilaa ne litteällä viilalla. Alkuperäinen profiili on syytä säilyttää.
- Käytä mallia syvyydensäätöhampaiden korkeuden mittaamiseen viilausten jälkeen.

## Ketjusahan käytön aloittaminen

**Käytä aina suojalaseja/visiiriä, kuulosuojaimia, suojakäsineitä ja suojavaatteita, joissa on sahausuojaa!**

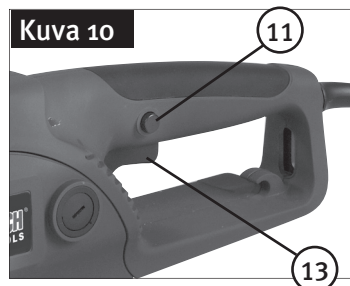
Käytä ainoastaan ulkokäyttöön sopivia jatkojohtoja, joissa on riittävä johtimen pinta-ala (väh. 1,5 mm<sup>2</sup>, pituus maks. 75 metriä). Ketjusahassa on turvavirtakytkin: Virtakytkintä ja takakahvan (1) käynnistyksen estoa tulee painaa samanaikaisesti, jotta ketjusaha käynnistyy. Ketjusahasta tulee pitää kiinni kaksin käsin käynnistysvaiheessa.

Mikäli moottori ei käynnisty, palauta takapotkusuoja/ketjujarru painamalla takapotkusuojaa (3) taaksepäin. Katso: Ketjujarru, ketjujarrun palauttaminen (kuva 3).

Ketjusaha käynnistyy välittömästi maksiminopeudella.

**Sammuta ketjusaha seuraavalla tavalla:** Päästä virtakytkin (13) ja käynnistyksen esto (11), niin saha pysähtyy noin sekunnissa. Saha saattaa täristä tänä aikana, mutta se on täysin normaalia.

**Toimenpiteet sahauskeskeytyksen jälkeen:** Puhdista teräketju ja terälevy, laita teräsuoja paikoilleen.



## Ketjusahan suojaustoimenpiteitä

**Älä käytä sahaa sateella tai hyvin kostealla ilmalla.**

**Irrota pistoke välittömästi, mikäli johto vioittuu. Älä koske johtoon, vaan ainoastaan pistokkeeseen! Älä käytä vioittuneita jatkojohtoja.**

Varmista, ettei ketjusaha ole vioittunut. Varmista myös, että ketjusahan suojat ja turvalaitteet ovat toimintakunnossa ja että sahan muut osat ovat kunnossa, ennen kuin otat sahan käyttöön. Varmista, että kaikki liikkuvat osat liikkuvat ja toimivat moitteetta. Kaikkien osien tulee olla oikein asennettu ja täyttää vaatimukset, jotta ketjusaha toimii käyttäjälle turvallisella tavalla. Vioittuneiden turvalaitteiden ja muiden osien korjaaminen/vaihtaminen tulee jättää ammattihenkilölle, jollei käyttöohjeessa muuta mainita.

## Ota huomioon seuraavat seikat ketjusahalla työskennellessäsi

### Terän takapotku:

Vältä onnettomuudet äläkä sahaa terälevyn kärjellä. Kärjellä sahatessa terälevy saattaa lentää nopeasti taakse- ja ylöspäin suurella voimalla.

Käytä aina suojalaseja/visiiriä, kuulosuojaimia, suojakäsineitä ja suojavaatteita ja turvakenkiä, joissa on sahausuojaa!

Takapotku tarkoittaa terälevyn äkillistä liikettä ylös- ja taaksepäin ja se tapahtuu useimmiten, kun terälevy koskettaa johonkin esineeseen.

Kiinnitä sahattava puu kunnolla, käytä tarvittaessa sopivaa lukitusta (tämä koskee erityisesti pyöreitä ja suorja puukappaleita, jotka saattavat alkaa pyörimään teräketjun koskettaessa puuta). Kun sahattava puu on kiinnitetty tukevasti, myös sahaaminen molemmin käsin sujuu helpommin.

Takapotkun sattuessa terälevy lennähtää taakse-/ylöspäin hallitsemattomasti. Terälevy löysyy usein takapotkun sattuessa. Liian löysä teräketju lisää takapotkun vaaraa. Älä koskaan käytä sahaa hartioidesi yläpuolella.

Teräketjun oikea teroittaminen on hyvin tärkeää, sillä väärin teroitettu teräketju tekee sahausesta epämiellyttävää ja vaarallista!

## Vinkkejä ketjusahan käyttöön

### Puiden sahaus

Noudata seuraavia turvallisuusohjeita puita sahatessasi: Varmista, että puukappale on tukevasti niin, ettei se pääse liukumaan/rullaamaan sahausajan aikana. Kiinnitä pienemmät puukappaleet ennen sahausajan aloittamista.

Käytä ketjusahaa ainoastaan puun sahaamiseen. Varo, ettei sahan lähellä ole sahausajan aikana kiviä, nauvoja tai muita esineitä, jotka saattavat osua terään sahausajan aikana. Huolehdi, ettei terä joudu kosketuksiin maan, piikkilangan tms. kanssa sahausajan aikana. Varo, ettei terä joudu kosketuksiin oksien kanssa. Sahaa vain yhtä oksaa kerrallaan. Huolehdi hyvästä tasapainosta sahausajan aikana ja käytä turvakengkiä, jossa on liukumattomat pohjat. Sammuta ketjusaha sahan siirtämisen ajaksi. Älä pidä kiinni virtakytkimestä, sillä saha saattaa käynnistyä vahingossa esim. kompastuessasi.

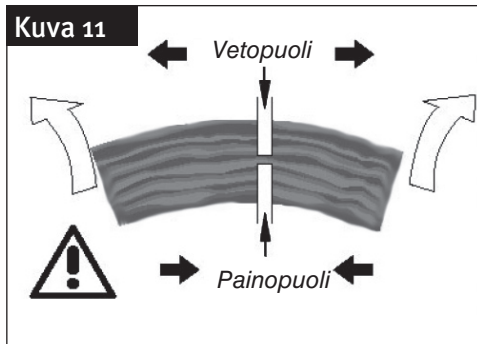
### Muista

- Ketjusaha tulee käynnistää ensin ja ketjun tulee olla liikkeessä ennen kuin saha painetaan kiinni puuhun.
- Käynnistä saha painamalla virtakytkintä ja takakahvan (1) käynnistykseen estoa. Saha käynnistyy vain, kun näitä painetaan samanaikaisesti.
- Laita kuorituen (10) alaosa kohti sahattavaa puuta ja aloita sahaaminen. Vedä ketjusahaa hieman taaksepäin ja nosta sitä jotta puukappale on hieman korkeammalla kuoritussa ja jatka sahaamista.
- Ole varovainen kun sahaat haljenneita tai murtuneita puita, sillä niistä saattaa lentää teräviä lastuja ja tikkuja.

### Jännittyneen puun sahaaminen

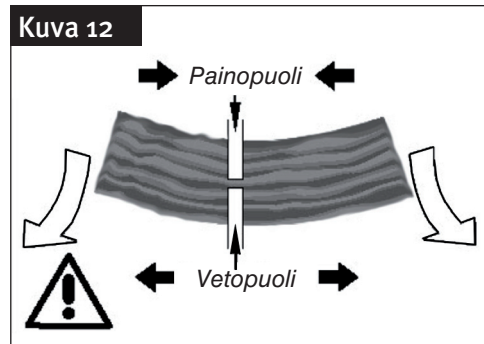
#### Varoitus! Noudata erityistä varovaisuutta kun sahaat jännittyneitä puita.

Mieti ensin kuinka puu on taipunut ja sahaa vasta sitten. Jos sahaat puuta siltä puolelta, johon kohdistuu painoa, saha saattaa juuttua kiinni. Jos taas sahaat toiselta puolelta, puu saattaa haljeta tai murtua.



Yläpuolella on vetävää voimaa ja alapuolella painavaa voimaa.

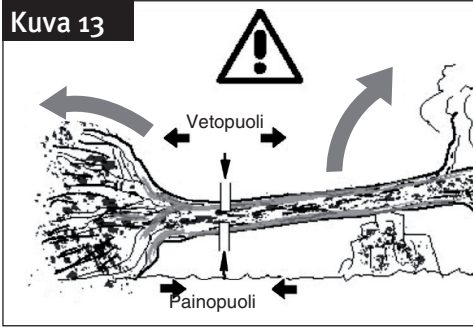
**Varoitus!** Puu hajoaa sahatessa.



Alapuolella on vetävää voimaa ja yläpuolella painavaa voimaa.

**Varoitus!** Puu iskee alaspäin sahatessa.

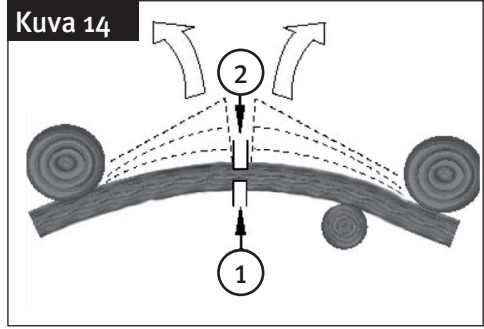
Kuva 13



Yläpuolella on vetävää voimaa ja alapuolella painavaa voimaa.

**Varoitus!** Puunrunko iskee nopeasti voimalla ylöspäin ja kääntyy katketessa. Kanto-osa voi kaatua eteen- tai taaksepäin. Noudata erityistä varovaisuutta tässä toimenpiteessä!

Kuva 14



Kummallakin puolella on painavaa voimaa.

**Varoitus!** Puunrunko saattaa lentää sivulle katketessa. Noudata erityistä varovaisuutta tässä toimenpiteessä!

## Puun kaataminen

Tätä ketjusahaa ei ole suunniteltu puiden kaatoon, vaan ainoastaan katkaisuun. Voit kuitenkin kaataa sahalla pienempiä puita. Jos olet vähänkin epävarma ketjusahan käyttöön tai työtapoihin liittyvissä asioissa, kysy neuvoja tottuneelta sahankäyttäjältä.

Näitä suojavarusteita tarvitset metsätoimissa: Kypärä, jossa kuulosuojaimet ja visiiri, housut, joissa sahausuojat, kengät ja saappaat, joissa sahausuojat ja luonnollisestikin ensiapupakkaus. Pienet puut voidaan sahata yhdellä kaatosahauksella, joka ulottuu lähes koko rungon loppuun; kaada puu käsin tai olkapäällä, mutta muista jättää pieni osa puusta sahaamatta, jolloin pitopuu toimii saranan tavoin.

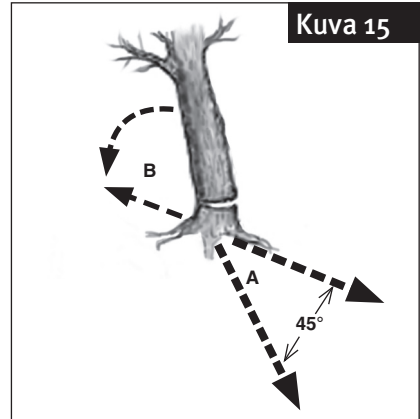
Suuremmat puut vaativat kaatoloven sahausken. Puun kaatumispuolella oleva kaatolovi määrää puun kaatumissuunnan.

**Varoitus!** Varmista aina turvallinen poistumissuunta; raivaa tarvittaessa tieltä pensaat ja oksat ennen puunkaaton aloittamista. Paras poistumissuunta on (A) takaviistoon puun kaatumissuuntaan (B) nähden (kuva 15).

**Varoitus!** Jos maa viettää, ole aina puun yläpuolella kaadon aikana, sillä puu hyvin suurella todennäköisyydellä liukuu tai rullaa alaspäin kaatumisen jälkeen.

**Huom!** Kaatolovi määrää puun kaatumissuunnan (B). Tarkasta ennen kaatoa, että kasvaako puu vinoon tai onko puun jollain puolella hyvin suuria oksia, näin voit selvittää puun todennäköisen kaatumissuunnan.

Kuva 15



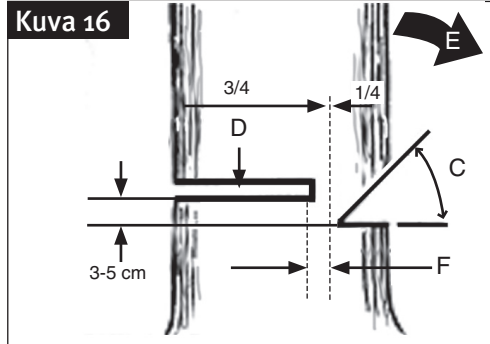
**Varoitus!** Älä kaada puuta yksin, jos on olemassa mahdollisuus, että puu kaatuu esim. talon tai aidan päälle. Neuvottele ammattilaisen kanssa, jos olet epävarma. Älä kaada puuta, jos sen lähellä on sähkö- tai puhelinlinjoja. Varmista ennen sahausken aloittamista, että lähistöllä ei ole ihmisiä tai eläimiä. Varmista myös sahausken aikana, että vaara-alueelle ei ole tullut ketään.

Tavanomainen puunkaato tapahtuu kahdella sahausella: kaatolovella (C) ja kaatosahauskella (D).

Aloita ylemmällä kaatolovella (C), joka on puun kaatumissuunnalla (E). Sahaa alempi, vaakasuora kaatolovi, joka kohtaa ylemmän kaatoloven (älä sahaa liian pitkälle). Kaatosahauskseen tulee olla riittävän leveä, jotta se ohjaa puuta mahdollisimman suurelta alalta kaatumisen aikana.

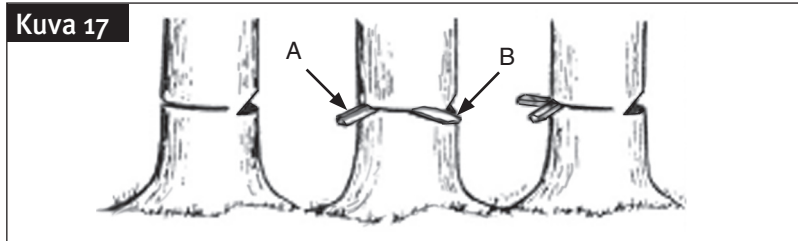
**Varoitus! Älä mene koskaan puun eteen sen jälkeen, kun olet sahanut kaatosahauskseen.**

Tee kaatosahaus (D) puun toiselle puolelle ja 3-5 cm alemman kaatoloven yläpuolelle.

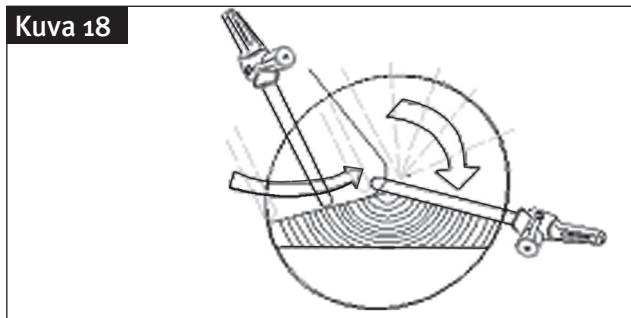


Älä KOSKAAN sahaa kokonaan kaatoloveen asti. Jätä AINA pitopuu (F). Pitopuu ohjaa puuta kaatumisen aikana. Jos puu sahataan kokonaan, kaatumissuuntaa ei voida määrätä, vaan puu saattaa kaatua mihin suuntaan tahansa. Laita kaatosahauskohtaan kiila tai kaatorauta ennen kuin sahaus on valmis. Jos sahaat koko kaatosahauskseen ennen kaatokiilan tai kaatoraudan asettamista, puu saattaa taipua taaksepäin ja jumittaa sahan puun väliin. Tarkasta ennen puun kaatamista kaatokiilan tai kaatoraudan avulla, että vaara-alueella ei ole ihmisiä tai eläimiä.

**Varoitus! Varmista ennen viimeisen sahausken tekemistä, että lähistöllä ei ole ihmisiä tai eläimiä.**



1. Käytä muovisia tai puisia kaatokiiloja (A) estääksesi terän juuttumisen kaatosahausloveen.
2. Jos puun halkaisija on suurempi kuin terälevyn pituus, tee kaksi kaatosahausta (kuva 18).

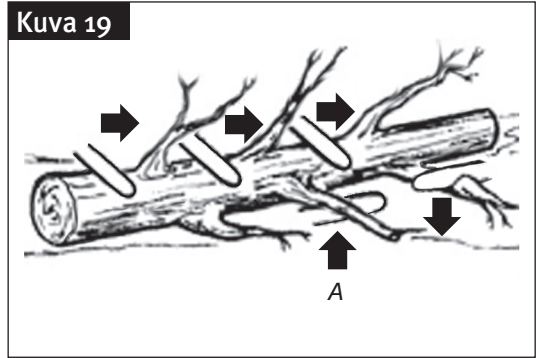


**Varoitus! Kun kaatosahaus (D) on tehty siihen vaiheeseen, että ainoastaan pitopuu (F) on jäljellä, puu saattaa kaatua ilman apua. Mikäli ei, käytä apuna kaatokiilaa tai kaatorautaa.** Poista ketjusaha, sammuta moottori ja ota muutama askel taaksepäin poistumissuuntaa kohden ja tarkkaile puuta koko kaatumisen ajan (kuva 3).

## Oksiminen

Oksiminen tarkoittaa makaavan puun oksien sahaamista. Aloita sahaamalla rungon ylimpien oksia. Seiso rungon toisella puolella ja sahaa rungon toisella puolella olevat oksat (tällöin runko on suojana sinun ja sahan välillä). Sahaa varoen jännittyneet oksat; ne tulee sahat oikealta puolelta, muuten terä jumittuu.

**Varoitus! Älä seiso rungon päällä oksimisen aikana.**

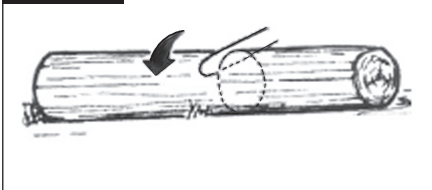


## Katkaisu

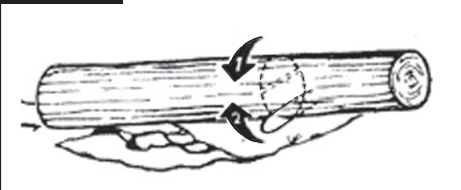
Katkaisu tarkoittaa makaavan rungon katkomista sopivan pituisiksi puiksi. Varmista hyvä tasapaino. Jos maa viettää, seiso rungon yläpuolella katkaisun aikana. Runko kannattaa nostaa irti maasta, sillä maahan osuessaan terä tylsyy nopeasti. Mikäli rungolla on tukea molemmissa päissä, katkaise ensin runko keskeltä; sahaa ensin rungon puoleenväliin yläpuolelta ja sen jälkeen samasta kohdasta rungon alapuolelta, muuten terä saattaa jumittua rungon jännityessä. Varo, ettei ketju kosketa maata sahaamisen aikana.

1. Jos rungolla on tukea koko rungon matkalta: Sahaa ensin päältä, rullaa runko ympäri ja sahaa taas samasta kohdasta yläpuolelta (kuva 8).
2. Runko, jolla on tuki toisessa päässä (esim. runko, joka on sahauspukin päällä): Sahaa ensin alapuolelta (1/3 rungon halkaisijasta murtumisen estämiseksi) ja sahaa sen jälkeen yläpuolelta vastaavasta kohdasta.
3. Runko, jolla on tuki kummassakin päässä: Sahaa ensin yläpuolelta (1/3 rungon halkaisijasta murtumisen estämiseksi) ja sahaa sen jälkeen alapuolelta vastaavasta kohdasta.

Kuva 20



Kuva 21

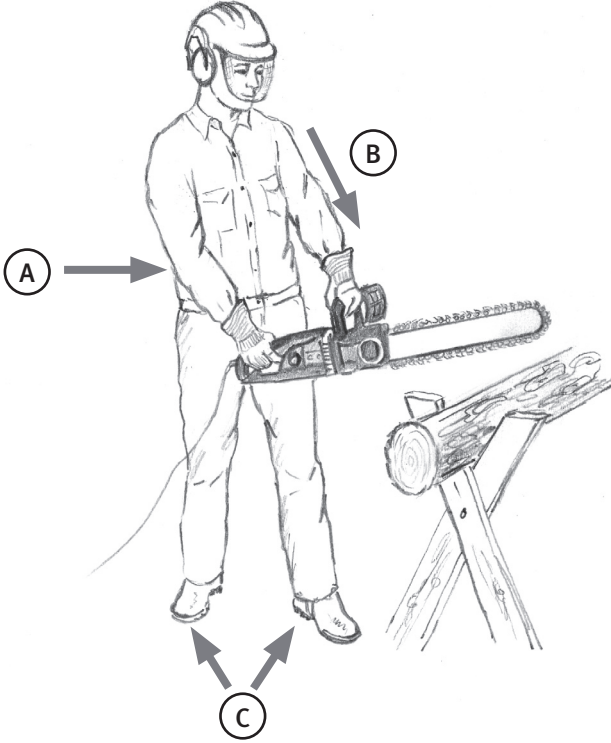


**Huom.:** Paras tapa sahata on käyttää tukea, esim sahauspukkia. Mikäli se ei ole mahdollista, rungon voi tukea myös muilla tavoin. Varmista kuitenkin, ettei runko pääse rullaamaan tai liikkumaan sahausajan aikana.



## Katkaisu sahauspukkia apuna käyttäen

- Pidä ketjusahasta tukevasti kiinni molemmin käsin. Pidä sahaa oikealla puolellasi.
- Pidä vasen käsi mahdollisimman suorana.
- Seiso vakaasti ja jaa paino tasaisesti kummallekin jalalle.



## Huolto ja hoito

### Poista aina pistoke pistorasiasta ennen sahan huoltoa ja säätöä.

Pidä moottorin tuuletusaukot puhtaina, poista mahdolliset purut, roskat ym. Saat suorittaa tässä käyttöohjeessa mainitut huoltotoimenpiteet. Muu korjaus/säätö tulee jättää ammattihenkilölle. Tuotetta ei saa muuttaa eikä sitä saa käyttää tämän käyttöohjeen vastaisesti. Käyttöohjeen vastainen käyttö aiheuttaa loukkaantumisvaaran.

## Säilytys

Säilytä ketjusahaa kuivassa ja puhtaassa paikassa tasaisella pinnalla. Sahan tulee olla lasten ulottumattomissa silloin kun sitä ei käytetä.

## Kierrätys

Kierrätä tuote asianmukaisesti, kun poistat sen käytöstä. Ota yhteys kuntasi jäteneuvontaan, mikäli olet epävarma.



## Vianetsintä

Vika	Syy	Ratkaisu
Moottori ei käynnisty.	Ei virtaa.	Tarkasta pistorasia, johto ja pistoke.
		Viallinen johto: Vaihda heti. Älä käytä viallisia johtoja.
		Viallisen virtakytkimen saa korjata ainoastaan ammattihenkilö.
	Takapotkusuoja/Ketjujarru lauennut.	Katso "Takapotkusuoja/ketjujarrun palauttaminen" (Kuva 5)
	Kuluneet hiiliharjat.	Jätä hiiliharjojen vaihto ammattilaiselle.
Ketju ei liiku.	Takapotkusuoja/Ketjujarru lauennut.	Katso "Takapotkusuoja/ketjujarrun palauttaminen" (Kuva 5).
Heikko suorituskyky.	Ketju asennettu väärin.	Ketju väärinpäin, tarkasta suunta.
	Tylsä ketju.	Teroita ketju.
	Ketjun kireys.	Tarkasta ketjun kireys.
Ketjusaha toimii huonosti, ketju hyppää paikoiltaan.	Ketjun kireys.	Tarkasta ketjun kireys.
Teräketju lämpenee.	Ketjun voitelu.	Tarkasta öljytaso.
		Tarkasta voitelun toimivuus.

## Tekniset tiedot

Tyyppi:	YT4646 / YT4646-UK
Teho:	2000 W
Kuormittamaton kierrosluku:	7600 k/min
Nimellisjännite:	230 V~, 50 Hz
Sahausnopeus (kuormittamaton):	13,5 metriä sekunnissa
Maks. sahausvyvyys:	35 cm
Paino (ilman terälevyä ja teräketjua):	4,8 kg
Melutaso enintään (LwA):	105 dB (A)
Mitattu melutaso (LwA):	103 dB (A)
Äänenpaine (LpA):	93 dB (A)
Tärinätaaso:	5,32 m/s <sup>2</sup>
Öljysäiliön tilavuus:	110 ml
Teräketju:	3/8, 52 lenkkiä
Terälevy:	35 cm (14")

# Declaration of Conformity



Hereby, Clas Ohlson AB, declares that the machinery:

**CHAIN SAW**

**18-3039 / YT4646-UK**

**30-9288 / YT4646**

COMPLIES WITH THE PROVISIONS OF THE:  
**MACHINERY DIRECTIVE 98/37/EC.**

COMPLIES WITH THE MODEL WHICH HAS OBTAINED AN "EC" TYPE CERTIFICATE, NO.  
**BM 60008141 0001** ISSUED BY THE FOLLOWING NOTIFIED BODY:  
TüV Rheinland Product Safety GmbH, Am Grauen Stein, D-51105 Köln

COMPLIES WITH THE PROVISIONS OF THE FOLLOWING HARMONIZED STANDARDS:  
EN50144-1:1998+A1  
EN50144-2-13:2002

Also complies with the provisions of following directives:

**2006/95/EC Low Voltage Equipment**

**89/336/EEC EMC**

Insjön, Sweden, January 2008

A handwritten signature in black ink, appearing to read 'Klas Balkow', with a long horizontal flourish extending to the right.

Klas Balkow  
President

Clas Ohlson, 793 85 Insjön, Sweden



## SVERIGE

---

KUNDTJÄNST      Tel: 0247/445 00  
Fax: 0247/445 09  
E-post: kundtjanst@clasohlson.se

INTERNET      www.clasohlson.se

BREV      Clas Ohlson AB, 793 85 INSJÖN

## NORGE

---

KUNDESENER      Tlf.: 23 21 40 00  
Faks: 23 21 40 80  
E-post: kundesenter@clasohlson.no

INTERNETT      www.clasohlson.no

POST      Clas Ohlson AS, Postboks 485 Sentrum, 0105 OSLO

## SUOMI

---

ASIAKASPALVELU      Puh: 020 111 2222  
Faksi: 020 111 2221  
Sähköposti: info@clasohlson.fi

INTERNET      www.clasohlson.fi

OSOITE      Clas Ohlson Oy, Yrjönkatu 23 A, 00100 HELSINKI

## UNITED KINGDOM

---

For consumer contact, please visit  
[www.clasohlson.co.uk](http://www.clasohlson.co.uk) and click on  
customer service.

INTERNET      [www.clasohlson.co.uk](http://www.clasohlson.co.uk)