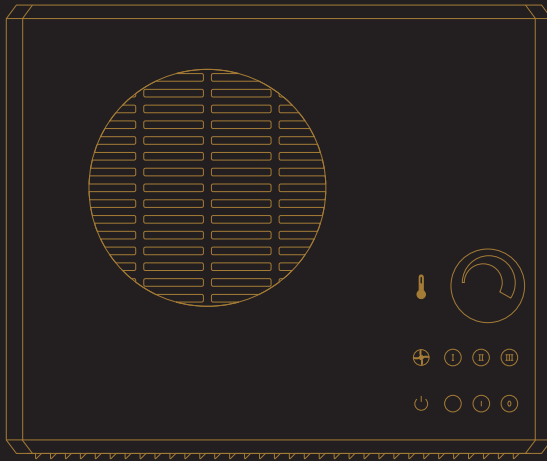


LIMITED EDITION

# FAN HEATER

ART.NO. 18-1458  
36-6933

MODEL: FH805  
FH805



*Claus Selsson*

SIGNATURE COLLECTION

This product is only suitable for well insulated spaces or occasional use.

Denna produkt är endast lämpad för välisolerade utrymmen eller sporadisk användning.

Dette produktet er kun beregnet til godt isolerte rom eller til midlertidig bruk.

Tämä tuote soveltuu ainoastaan hyvin eristettyihin tiloihin tai satunnaiseen käyttöön.

Dieses Produkt ist nur für gut isolierte Räume oder für den gelegentlichen Gebrauch geeignet.

# Fan Heater

Art.no 18-1458, 36-6933

Model FH805

Please read the entire instruction manual before use and then save it for future reference. We reserve the right for any errors in text or images and any necessary changes made to technical data. In the event of technical problems or other queries, please contact our Customer Services (see address details on the back).

## Safety



**Warning:** The fan heater becomes very hot during use and presents a burn hazard. Particular attention has to be given where children and vulnerable people are present, when the product is in use.

**Warning:** The air outlet grill becomes very hot during use and could cause burns.

Do not touch the air outlet grille when the fan heater is switched on. Let the fan heater cool down completely before handling it after use.



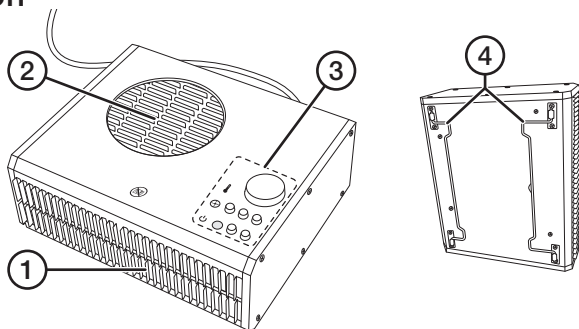
**Warning:** Do not cover. To avoid overheating, never cover the appliance.

- The product must be kept out of reach of children under 3 years of age unless they are under constant supervision.
- Children between the ages of 3 and 8 years should only switch the product on/off provided that it has been placed or installed in its intended normal operating position and they have been given supervision or instruction in the safe use of the appliance and understand the hazards involved.
- Children between the ages of 3 and 8 years must not plug in, change the settings or perform any user maintenance to the appliance.
- The product must not be used by anyone (including children) suffering from physical or mental impairment. The product should not be used by anyone that has not read the instruction manual unless they have been instructed in its use by someone who will take responsibility for their safety.
- The product may be used by children of 8 years and above and by persons with reduced physical, sensory or mental capability or lack of experience and knowledge provided they have been given supervision or instruction concerning use of the product in a safe way and understand the hazards involved.
- Never let children play with the product.
- Cleaning and user maintenance must not be performed by children without adult supervision.
- Make sure that none of the ventilation openings is blocked.
- The product must only be used on a flat surface.
- Always unplug the product when it is not in use and before cleaning it.
- Never leave the product unattended when it is in operation.
- The product is only intended for normal domestic use and only in the manner described in this instruction manual.
- Always place the product at least 90 cm away from combustible materials such as furniture, curtains and bed linen.
- Never use the product if it is in any way damaged or malfunctioning. Do not use the product if the mains lead or plug is damaged in any way.
- Do not use the product near bathtubs, showers or pools.
- Never immerse the product in water or allow water to come into contact with the plug, thermostat or power switch.

- Keep the product clean. Make sure that no foreign objects can enter the ventilation openings as this can present a risk of electric shock or fire.
- Children in the area where the product is used must be kept under supervision.
- The product must only be connected to an electrical outlet with a 230 V, 50 Hz power supply.
- The product must not be placed directly below a wall socket.
- The product must not be placed on or next to a stove, cooker hob or heat source.
- Do not leave the product switched on unattended overnight.
- Before connecting the product to the mains, make sure that it is turned off and that your hands are completely dry.
- Do not use extension leads for this product. Connect it directly to a mains outlet.
- The product is intended for indoor use only.
- The product must not be taken apart or modified. Certain uninsulated components inside the housing carry dangerous voltages. Contact with these can lead to fire or electric shock.
- The mains lead must be changed if damaged. This is to prevent the risk of electric shock or fire and should only be carried out by the manufacturer, a qualified service facility or qualified technician.
- Make sure to route the mains lead behind the product so that it is not heated by the hot air from the product.
- Never use water or a wet cloth to clean the housing of the product, doing so will pose a risk of electric shock or short-circuiting.
- The product must not be used in humid environments.
- Always let the product cool down before moving it.
- The product may not be controlled by an external timer or any type of remote control.

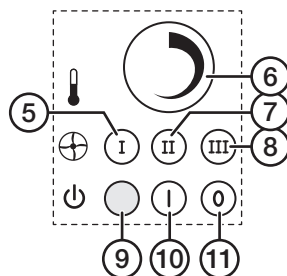
## Product description

1. Air outlet
2. Air inlet
3. Control panel
4. Foldout legs



## Control panel

5. [I] Cool Air
6. Thermostat knob
7. [II] Warm Air 900 W
8. [III] Warm Air 1800 W
9. Indicator light
10. [1] On
11. [0] Off: When the button is pressed in, the indicator light (9) flashes and the fan heater enters Cool Air mode for 30 seconds (if one of the warm air modes is selected) in order to cool down the fan heater (Cool Down mode). This reduces the risk of the someone burning themselves on the fan heater.



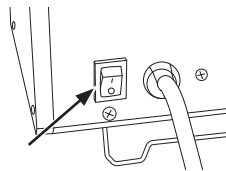
# Instructions for use

## Placement

- Place the fan heater on a hard and level surface.
- Never place the fan heater on soft surfaces such as beds, blankets or thick rugs, etc.
- Do not place the fan heater in a bathroom, laundry room, or close to the bath or shower.
- Do not use the fan heater in damp or dusty environments.
- Place the fan heater some distance away from furniture, curtains and other flammable objects. Make sure that fan heater is at least 90 cm from combustible materials.

## On

1. Plug the mains lead into a wall socket.
2. Turn the power switch on which is located on the back of the fan heater.
3. Press [ I ] (IO) to switch the fan heater on. The indicator light (9) will come on.
4. Press [ I ], [ II ] or [ III ].



- i** The thermostat knob must be turned in order to activate the Warm Air modes.

## Off

### If the fan heater has been running on Cool Air mode:

Press [ O ]. This turns off the fan heater and the indicator light goes off.

- i** Bear in mind that the power switch on the back of the fan heater is still on.

### If the fan heater has been running on Warm Air mode:

Press [ O ]. The fan heater continues to run in Cool Down mode for approx. 30 seconds (the indicator light flashes) and then turns off automatically.

- i** Bear in mind that the power switch on the back of the fan heater is still on.
- If you turn off the fan heater using the power switch on the back, then Cool Down mode will not be activated. When you turn on the fan heater again with the power switch, the fan heater will start in the same mode that was running before you turned it off.

## Thermostat knob

**Note:** Bear in mind that factors such as the size of the room, the outside temperature and how well the building is insulated, all affect the ability of the fan heater to warm up the room. If the room is too large the ability of the heater to warm it up to the desired temperature may be insufficient.

The temperature range of the thermostat is approx. 5-35 °C. To heat a room to the desired temperature, do as follows:

1. Turn the thermostat knob to the maximum setting.
2. Slowly turn back the thermostat knob when the desired room temperature has been reached. Stop turning the thermostat knob when a click is heard. The fan heater will go into Cool Down mode for 30 seconds and then switch off. The indicator light will shine with a steady glow when the Cool Down mode has been activated after the thermostat has turned off the fan heater.
3. No further adjustment is required. The fan heater will then automatically turn on once the temperature goes below the setting and turn off once the set temperature is reached.


### Important:

- Always allow the Cool Down mode to run for 30 seconds before switching the fan heater off using the power switch on the back.
- Always switch the fan heater off and unplug the mains lead from the wall socket when it is not in use.

## Overheating protection

The fan heater has a built-in thermal cut-out switch overheating protection device. If the thermal cut-out switch is triggered, the heating element will automatically shut off:

1. Unplug the fan heater from the wall socket and let it cool for at least 10 minutes.
2. Eliminate any reasons for the fan heater to have overheated and then plug it back in again.
3. The fan heater will now work again.

 **Information:** The plug **must** be disconnected for at least 10 minutes in order for the thermal cut-out switch to reset.

## Care and maintenance

- Always unplug the lead from the power point and let the fan heater cool down properly before cleaning it and putting it away.
- Clean the product using a damp cloth. Use only mild cleaning agents, never solvents or corrosive chemicals.
- Always unplug the fan and store it in a dry, dust-free environment out of children's reach whenever it is not to be used for a long time.

## Troubleshooting guide

The fan heater does not start.	<ul style="list-style-type: none"> <li>• Is the power switch on the back set to [I]?</li> <li>• Is the mains lead intact and properly plugged into the wall socket?</li> <li>• Is the wall socket energised?</li> <li>• Has the thermostat turned off the fan heater?</li> </ul> <p>Refer to the <i>Thermostat knob</i> section.</p>
--------------------------------	--

## Responsible disposal

This symbol indicates that this product should not be disposed of with general household waste. This applies throughout the entire EU. In order to prevent any harm to the environment or health hazards caused by incorrect waste disposal, the product must be handed in for recycling so that the material can be disposed of in a responsible manner. When recycling the product, take it to your local collection facility or contact the place of purchase. They will ensure that the product is disposed of in an environmentally sound manner.



## Specifications

<b>Rated voltage</b>	220–240 V AC, 50/60 Hz	<b>Mains lead</b>	1.6 m
<b>Power mode [I]</b>	Cool Air	<b>IP rating</b>	IP20
<b>Power mode [II]</b>	Warm Air 900 W	<b>Size</b>	270 × 240 × 125 mm
<b>Power mode [III]</b>	Warm Air 1800 W	<b>Weight</b>	2 kg

## Information requirement for the electric local space heaters

Model identifier(s): FH805					
Item	Symbol	Value	Unit	Item	
Heat output			<b>Type of heat input, for electric storage local space heaters only (select one)</b>		
Nominal heat output	$P_{nom}$	1.8	kW	manual heat charge control, with integrated thermostat	No
Minimum heat output (indicative)	$P_{min}$	0.9	kW	manual heat charge control with room and/or outdoor temperature feedback	No
Maximum continuous heat output	$P_{max, c}$	1.8	kW	electronic heat charge control with room and/or outdoor temperature feedback	No
<b>Auxiliary electricity consumption</b>	---	---	---	fan assisted heat output	No
At nominal heat output	$e_{l_{max}}$	1.855	kW	<b>Type of heat output/room temperature control (select one)</b>	
At minimum heat output	$e_{l_{min}}$	0.946	kW	single stage heat output and no room temperature control	No
In standby mode	$e_{l_{SB}}$	0.0002	kW	Two or more manual stages, no room temperature control	No
				with mechanic thermostat room temperature control	Yes
				with electronic room temperature control	No
				electronic room temperature control plus day timer	No
				electronic room temperature control plus week timer	No
				<b>Other control options (multiple selections possible)</b>	
				room temperature control, with presence detection	No
				room temperature control, with open window detection	No
				with distance control option	No
				with adaptive start control	No
				with working time limitation	No
				with black bulb sensor	No
Contact details	CLAS OHLSON AB, SE-793 85 INSJÖN, SWEDEN				

## Test Data

## Commission Regulation (EC) No 1275/2008 Requirement

Mode	Ecodesign requirements, from 7 January 2013	Result - Remark	Verdict
Off mode	Power consumption in 'off mode': Power consumption of equipment in any off-mode condition shall not exceed 0.50 W	0.0002 kW	P
Standby mode	Power consumption in 'standby mode(s)': The power consumption of equipment in any condition providing only a reactivation function, or providing only a reactivation function and a mere indication of enabled reactivation function, shall not exceed 0.50 W.	0.0002 kW	p
	The power consumption of equipment in any condition providing only information or status display, or providing only a combination of reactivation function and information or status display shall not exceed 1.00 W.		N/A

## Seasonal space heating energy efficiency

Description	Value
Seasonal space heating energy efficiency in active mode- $\eta_{S,on}$	40 %
For electric local space heaters- $\eta_{th}$	100 %
The electric to primary energy "conversion coefficient"-CC	2.5
$F(1)$ is a correction factor accounting for a positive contribution to the seasonal space heating energy efficiency of electric storage local space heaters due to adjusted contributions for options for heat storage and output; and a negative contribution to seasonal space heating efficiency for commercial local space heaters due to adjusted contributions for options for the heat output, expressed in %;	0.0 %
$F(2)$ is a correction factor accounting for a positive contribution to the seasonal space heating energy efficiency due to adjusted contributions of controls of indoor heating comfort, the values of which are mutually exclusive, cannot be added to each other, expressed in %;	6.0 %
$F(3)$ is a correction factor accounting for a positive contribution to the seasonal space heating energy efficiency due to adjusted contributions of controls for indoor heating comfort the values of which can be added to each other, expressed in %;	0.0 %
$F(4)$ is a correction factor accounting for a negative contribution to the seasonal space heating energy efficiency by auxiliary electricity consumption, expressed in %;	0.0 %
$F(5)$ is a correction factor accounting for a negative contribution to the seasonal space heating energy efficiency by energy consumption of a permanent pilot flame, expressed in %.	0.0 %
Seasonal space heating energy efficiency- $\eta_S$	36 %
Verdict	p

# Värmefläkt

Art.nr 18-1458, 36-6933 Modell FH805

Läs igenom hela bruksanvisningen före användning och spara den sedan för framtida bruk. Vi reserverar oss för ev. text- och bildfel samt ändringar av tekniska data. Vid tekniska problem eller andra frågor, kontakta vår kundtjänst (se adressuppgifter på baksidan).

## Säkerhet



**Varning! Produkten blir mycket het vid användning. Risk för brännskada. Speciell hänsyn måste tas om barn eller andra känsliga personer finns i lokalerna där produkten används.**

**Varning! Luftutloppets galler blir mycket hett vid användning. Risk för brännskada.**

Vidrör inte luftutloppets galler när fläkten är påslagen. Låt fläkten svalna helt innan den hanteras efter användning.



**Varning! Får inte övertäckas.** För att undvika överhettning, täck inte över värmefläkten.

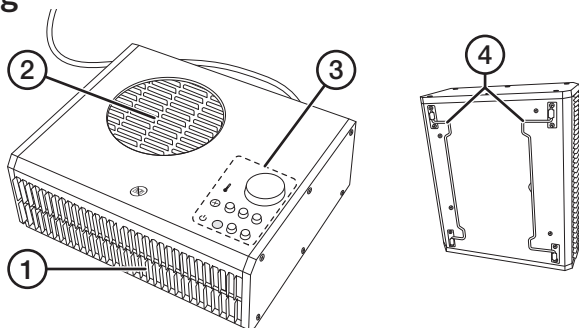
- Produkten ska hållas oåtkomlig för barn yngre än 3 år om barnen inte ständigt kan övervakas.
- Barn från 3 till 8 års ålder får endast slå på eller av produkten om den placerats/installerats på det sätt som beskrivs i den här bruksanvisningen och om de har fått instruktioner om hur den på ett säkert sätt ska användas och förstår faror och risker som kan uppkomma.
- Barn från 3 till 8 års ålder får inte ansluta, reglera eller underhålla produkten.
- Produkten får inte användas av personer (inklusive barn) med nedsatt fysisk eller mental förmåga. Den får inte heller användas av personer utan tillräcklig erfarenhet och kunskap ifall de inte har fått instruktioner om användningen av någon som ansvarar för deras säkerhet.
- Produkten får användas av barn från 8 år och av personer med någon form av funktionsnedsättning, brist på erfarenhet eller kunskap som skulle kunna äventyra säkerheten, om de har fått instruktioner om hur produkten på ett säkert sätt ska användas och förstår faror och risker som kan uppkomma.
- Låt aldrig barn leka med produkten.
- Rengöring och skötsel får inte utföras av barn utan vuxens närvaro.
- Se till att inte någon av produktens ventilationsöppningar är blockerade.
- Produkten får endast användas på en plan yta.
- Dra alltid ut stickproppen ur vägguttaget när produkten inte används och före rengöring.
- Lämna aldrig produkten utan tillsyn när den är i drift.
- Produkten är endast avsedd för normalt bruk i hemmet på det sätt som beskrivs i den här bruksanvisningen.
- Placera alltid produkten minst 90 cm från brännbart material som t.ex. möbler, gardiner, sängkläder.
- Använd aldrig produkten om den på något sätt är skadad eller inte fungerar normalt. Använd den inte heller om nätkabeln eller stickproppen på något sätt är skadade.
- Produkten får aldrig användas i närheten av badkar, dusch eller pool.
- Sänk aldrig ner produkten i vatten och låt aldrig vatten komma i kontakt med stickproppen eller med produktens termostat eller strömbrytare.
- Håll produkten ren. Se till att inga främmande föremål kan komma in i produktens ventilationsöppningar då det kan medföra risk för elektrisk stöt eller brand.
- Barn måste hållas under uppsikt om de vistas i lokalen där produkten används.
- Produkten får endast anslutas till ett vägguttag med 230 V, 50 Hz.
- Produkten får inte placeras direkt under ett vägguttag.
- Produkten får inte placeras på eller nära kamin, värmepatta eller värmekälla.



- Lämna inte produkten tillslagen över natten utan tillsyn.
- Innan produkten ansluts till vägguttaget, försäkra dig om att den är avstängd och att du inte är våt eller fuktig om händerna.
- Använd inte skarvkabel, anslut produktens nätkabel direkt till vägguttaget.
- Produkten är endast avsedd för inomhusbruk.
- Produkten får inte demonteras eller ändras. Farlig spänning finns oskyddad på komponenter under höljet. Kontakt med dessa kan leda till brand eller ge elektriska stötar.
- Om nätkabeln skadats får den, för att undvika risk för elektrisk stöt eller brand, endast bytas av tillverkaren, dess serviceställe eller av en kvalificerad yrkesman.
- Se till att nätkabeln placeras bakom produkten vid användning. Detta för att undvika att nätkabeln skadas av värmen.
- Använd aldrig en fuktig trasa vid rengöring av produktens hölje.
- Produkten får inte användas i fuktiga lokaler.
- Låt alltid produkten svalna innan den flyttas.
- Produkten får inte styras av timer eller liknande.

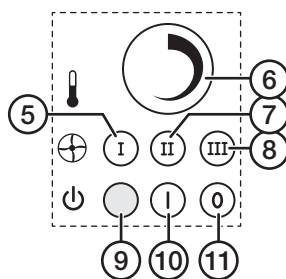
## Produktbeskrivning

1. Luftutlopp
2. Luftinlopp
3. Kontrollpanel
4. Utfällbara ben



## Kontrollpanelen

5. [I] Friskluftsläge
6. Termostatvred
7. [II] Varmluftsläge 900 W
8. [III] Varmluftsläge 1800 W
9. Indikatorlampa
10. [I] På
11. [0] Av: När knappen trycks in blinkar indikatorlampan (9) och fläkten går i 30 sek i friskluftsläge (om något av varmluftslägena använts) för att fläkten ska kylas ner (avkylningsfunktion). Detta minskar risken för att någon bränner sig på heta detaljer.



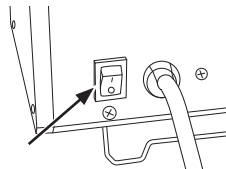
# Användning

## Placering

- Placera fläkten på en plan, hård yta.
- Placera aldrig fläkten på mjuka underlag som sängar, filtar, tjocka mattor etc.
- Placera inte fläkten i badrum, tvättstuga eller i närheten av dusch eller badkar.
- Använd inte fläkten i fuktiga eller mycket dammiga miljöer.
- Placera fläkten på avstånd från möbler, gardiner och andra lättantändliga föremål.  
Se till att fläkten står minst 90 cm från brännbara föremål.

## På

1. Anslut stickproppen till ett vägguttag.
2. Slå på strömbrytaren på fläktens baksida.
3. Tryck [I] (IO) för att slå på fläkten. Indikatorlampan (9) tänds.
4. Tryck [I], [II] eller [III].



- i** Du måste vrida upp termostatvredet för att varmluftslägena ska starta.

## Av

### Om fläkten gått i friskluftsläge:

Tryck [O]. Fläkten slås av och indikatorlampan släcks.

- i** Tänk på att strömbrytaren på fläktens baksida fortfarande är påslagen.

### Om fläkten gått i något av varmluftslägena:

Tryck [O]. Fläkten fortsätter att gå i avkylningsfunktion i ca 30 sek (indikatorlampan blinkar) för att sedan automatiskt slås av.

- i** Tänk på att strömbrytaren på fläktens baksida fortfarande är påslagen.  
Om du slår av fläkten direkt med strömbrytaren på baksidan aktiveras inte avkylningsfunktionen. När du sedan slår på strömbrytaren igen startar fläkten i samma läge som när den slogs av.

## Termostatvredet

**Obs!** Tänk på att rummets storlek, utomhustemperaturen, hur välisolerat huset är etc. påverkar fläktens möjligheter att värma upp. Är rummet för stort kan fläktens effekt vara otillräcklig för att uppnå önskad temperatur.

Termostatens temperaturspann är ca 5–35 °C. För att värma ett rum till önskad temperatur, gör så här:

1. Vrid upp termostatvredet till max.
2. Vrid långsamt tillbaka vredet när rumstemperaturen uppnått önskad nivå. Vrid tills ett klickljud hörs, avkylningsfunktionen aktiveras och fläkten slås sedan av. Indikatorlampan lyser med fast sken när avkylningsfunktionen aktiverats efter att termostaten stängt av fläkten.
3. Låt vredet stå i denna position. Fläkten kommer att automatiskt slå på när temperaturen sjunker under inställd nivå och slå av igen när temperaturen återuppnåtts.

## **△** Viktigt!

- Tillåt alltid avkylningsfunktionen att gå i 30 sek innan du slår av med strömbrytaren på baksidan.
- Slå alltid av strömbrytaren och dra ut stickproppen ur vägguttaget när fläkten inte används.

## Överhettningsskydd

Fläkten har inbyggt överhettningsskydd. Om överhettningsskyddet löser ut slås värmeelementet av:

1. Dra ut stickproppen ur vägguttaget och låt fläkten svalna i minst 10 min.
2. Eliminera ev. orsaker till att fläkten överhettades och sätt i stickproppen igen.
3. Fläkten ska nu fungera normalt.

**i Information:** Stickproppen **måste** vara utdragen ur vägguttaget i minst 10 min för att överhettningsskyddet ska återställas.

## Skötsel och underhåll

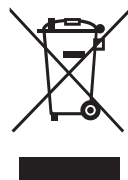
- Dra alltid ut stickproppen ur vägguttaget och låt fläkten svalna före rengöring och förvaring.
- Rengör produkten med en lätt fuktad trasa. Använd ett mildt rengöringsmedel, aldrig lösningsmedel eller frätande kemikalier.
- Dra alltid ut stickproppen ur vägguttaget och förvara fläkten torrt och dammfritt, utom räckhåll för barn om den inte ska användas under en längre period.

## Felsökningsschema

Fläkten startar inte.	<ul style="list-style-type: none"> <li>• Är strömbrytaren på fläktens baksida påslagen?</li> <li>• Är nätkabeln oskadad och ordentligt ansluten till vägguttaget?</li> <li>• Finns det ström i vägguttaget?</li> <li>• Har termostaten stängts av värmefläkten? Se avsnittet <i>Termostatvredet</i>.</li> </ul>
-----------------------	---

## Avfallshantering

Denna symbol innebär att produkten inte får kastas tillsammans med annat hushållsavfall. Detta gäller inom hela EU. För att förebygga eventuell skada på miljö och hälsa, orsakad av felaktig avfallshantering, ska produkten lämnas till återvinning så att materialet kan tas omhand på ett ansvarsfullt sätt. När du lämnar produkten till återvinning, använd dig av de returhanteringssystem som finns där du befinner dig eller kontakta inköpsstället. De kan se till att produkten tas om hand på ett för miljön tillfredställande sätt.



## Specifikationer

Nätanslutning	220–240 V AC, 50/60 Hz
Effektläge [ I ]	Friskluft
Effektläge [ II ]	Värme 900 W
Effektläge [ III ]	Värme 1800 W
Nätkabel	1,6 m
Kapslingsklass	IP20
Mått	270 × 240 × 125 mm
Vikt	2 kg

Informationskrav för elektriska rumsvärmare

Modellbeteckning(ar): FH805					
Post	Beteckning	Värde	Enhet	Post	
Värmeeffekt				<b>Typ av tillförd värme, endast för elektriska värmelagrande rumsvärmare (välj en)</b>	
Nominell avgiven värmeeffekt	$P_{nom}$	1,8	kW	manuell reglering av värmeförseln med inbyggd termostat	Nej
Lägsta värmeeffekt (indikativt)	$P_{min}$	0,9	kW	manuell reglering av värmeförseln med återkoppling av inomhus- och/eller utomhustemperaturen	Nej
Maximal kontinuerlig värmeeffekt	$P_{max, c}$	1,8	kW	elektronisk reglering av värmeförseln med återkoppling av inomhus- och/eller utomhustemperaturen	Nej
<b>Tillsatsförbrukning</b>	---	---	---	värmeavgivning med hjälp av fläkt	Nej
Vid nominell avgiven värmeeffekt	$e_{l_{max}}$	1,855	kW	<b>Typ av reglering av värmeeffekt/rumstemperatur (välj en)</b>	
Vid lägsta värmeeffekt	$e_{l_{min}}$	0,946	kW	enstegs värmeeffekt utan rumstemperaturreglering	Nej
I standbyläge	$e_{l_{SB}}$	0,0002	kW	två eller flera manuella steg utan rumstemperaturreglering	Nej
				med mekanisk termostat för rumstemperaturreglering	Ja
				med elektronisk rumstemperaturreglering	Nej
				med elektronisk rumstemperaturreglering plus dygnstimer	Nej
				med elektronisk rumstemperaturreglering plus veckotimer	Nej
				<b>Andra regleringsmetoder (flera alternativ kan markeras)</b>	
				rumstemperaturreglering med närvarodetektering	Nej
				rumstemperaturreglering med detektering av öppna fönster	Nej
				med möjlighet till fjärrstyrning	Nej
				med anpassningsbar startreglering	Nej
				med driftstidsbegränsning	Nej
				med svartkroppsgivare	Nej
Kontakt	CLAS OHLSON AB, SE-793 85 INSJÖN, SWEDEN				

## Test Data

### Kommissionens förordning (EG) No 1275/2008 Krav

Läge	Krav på ekodesign, fr.o.m 7 Januari 2013	Resultat/anmärkning	Utslag
Frånläge	Energianvändning i frånläge: Produkters energianvändning i någon form av frånläge får inte överstiga 0,50 watt.	0,0002 kW	P
Standbyläge	Energianvändning i standbyläge(n): Produkters energianvändning i något läge som enbart tillhandahåller en reaktiveringsfunktion eller enbart en reaktiveringsfunktion och en ren indikation av en möjliggjord reaktiveringsfunktion får inte överstiga 0,50 watt.	0,0002 kW	P
	Produkters energianvändning i något läge som enbart tillhandahåller information eller statusvisning, eller enbart tillhandahåller en kombination av reaktiveringsfunktion och information eller visningsfunktion, får inte överstiga 1,00 watt.		Ej tillämpligt

### Säsongmedelverkningsgrad för rumsuppvärmning

Beskrivning	Värde
Säsongmedelverkningsgraden för rumsuppvärmning i aktivt läge ( $\eta_{s,on}$ )	40 %
För elektriska rumsvärmare- $\eta_{th}$	100 %
CC är lika med "konversionsfaktorn" för elektrisk energi till primärenergi,	2,5
$F(1)$ är en korrektionsfaktor, uttryckt i procent, som står för ett positivt bidrag till säsongmedelverkningsgraden för rumsuppvärmning för elektriska värmelagrande rumsvärmare till följd av anpassningen genom bidrag för möjligheter att välja värmelagring eller effekt, och ett negativt bidrag till säsongmedelverkningsgraden för rumsuppvärmning för rumsvärmare för kommersiellt bruk till följd av anpassningen genom bidrag för möjligheter att välja värmeeffekt,	0,0 %
$F(2)$ är en korrektionsfaktor, uttryckt i procent, som står för ett positivt bidrag till säsongmedelverkningsgraden för rumsuppvärmning till följd av anpassningen genom bidrag för olika typer av reglering av värmekomfort inomhus; dessa olika typer utesluter varandra och kan inte läggas ihop,	6,0 %
$F(3)$ är en korrektionsfaktor, uttryckt i procent, som står för ett positivt bidrag till säsongmedelverkningsgraden för rumsuppvärmning till följd av anpassningen genom bidrag för olika typer av reglering av värmekomfort inomhus; dessa olika typer kan läggas ihop,	0,0 %
$F(4)$ är en korrektionsfaktor, uttryckt i procent, som representerar ett negativt bidrag till säsongmedelverkningsgraden för rumsuppvärmning vid förbrukning av tillsatsel,	0,0 %
$F(5)$ är en korrektionsfaktor, uttryckt i procent, som representerar ett negativt bidrag till säsongmedelverkningsgraden för rumsuppvärmning på grund av den permanenta tändlågans effektbehov.	0,0 %
Säsongmedelverkningsgraden för rumsuppvärmning - $\eta_s$	36 %
Utslag	P

# Vifteovn

Art.nr. 18-1458, 36-6933 Modell FH805

Les brukerveiledningen grundig før produktet tas i bruk og ta vare på den for framtidig bruk. Vi reserverer oss mot ev. feil i tekst og bilde, samt forandringer av tekniske data. Ved tekniske problemer eller spørsmål, ta kontakt med vårt kundesenter. (Se opplysninger om kundesenteret i denne bruksanvisningen).

## Sikkerhet



**Advarsel! Produktet blir svært varmt ved bruk. Fare for brannskade. Ta spesielle hensyn hvis barn eller andre følsomme personer oppholder seg i lokalene der produktet brukes.**

**Advarsel! Gitteret foran luftutløpet blir svært varmt ved bruk. Fare for brannskader.**

Ikke berør gitteret foran på ovnen når vifteovnen er på. La vifteovnen avkjøles helt før du tar på den etter bruk.



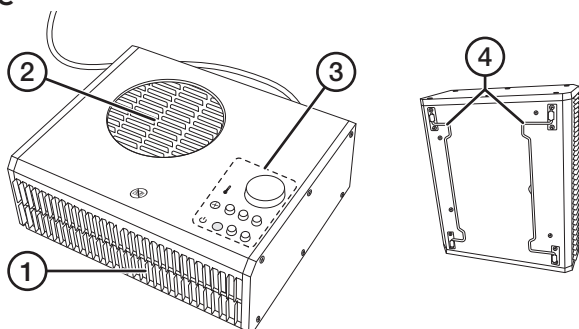
**Advarsel! Må ikke tildekkes. Ovnen må ikke tildekkes, da dette kan føre til overoppheting.**

- Produktet må holdes unna små barn (under 3 år) dersom barnet ikke har tilsyn av voksne.
- Barn fra 3 til 8 år kan kun skru på/av produktet hvis den er plassert/installert slik som beskrevet i bruksanvisningen, hvis de har fått opplæring i hvordan den skal brukes sikkert og hvilke farer som kan dukke opp.
- Barn under 8 år må ikke koble til, regulere eller vedlikeholde produktet.
- Produktet må ikke brukes av personer (inkl. barn) med begrensede fysiske eller mentale ferdigheter. Det må heller ikke benyttes av personer som ikke har tilstrekkelig erfaring og kunnskap, dersom de ikke har fått opplæring i bruken av noen som har ansvaret for deres sikkerhet.
- Produktet kan brukes av barn fra 8 år og av personer med funksjonshemming eller manglende erfaring og kunnskap om produktet, dersom de har fått opplæring om sikker bruk av det. Det er dog viktig at de forstår faren ved bruken av det.
- La aldri barn leke med produktet.
- Rengjøring og vedlikehold må ikke utføres av barn uten tilsyn av voksne.
- Pass på at ikke ventilasjonsåpningene er blokkert.
- Produktet må kun brukes på et jevnt underlag.
- Trekk alltid ut støpselet når produktet ikke er i bruk og før rengjøring.
- Forlat aldri produktet uten tilsyn, når den er i drift.
- Produktet er kun beregnet for normal bruk i hjemmet på den måten som beskrives her i brukerveiledningen.
- Plasser alltid produktet minst 90 cm fra brennbare materialer som f.eks. møbler, gardiner og sengetøy.
- Produktet må ikke brukes hvis det har skader eller ikke fungerer normalt. Bruk ikke produktet dersom strømkabelen eller støpselet er skadet.
- Bruk ikke produktet nær badekar, dusj eller svømmebasseng.
- Senk ikke produktet ned i vann og sørg for at det ikke vann kommer i kontakt med støpselet, termostat eller strømbryter.
- Hold produktet ren. Påse at ingen gjenstander kommer inn i produktets ventilasjonsåpninger. Skulle det skje, kan det være fare for elektrisk støt eller brann.
- Hold godt øye med barn som oppholder seg i rom hvor produktet brukes.
- Produktet må kun kobles til strømuttak med 230 V, 50 Hz.
- Produktet må ikke plasseres rett under et strømuttak.

- Produktet må ikke plasseres på eller nær peisovner, varmeplater eller andre varmekilder.
- Ikke la produktet bli stående på over natten, uten tilsyn.
- Før produktet kobles til strømuttaket må du forsikre deg om at den er skrudd av og at du ikke er våt/fuktig på hendene.
- Produktet må ikke kobles til skjøteledning, men kobles direkte til strømuttaket.
- Produktet må kun brukes innendørs.
- Produktet må ikke demonteres eller endres på. Farlig spenning ligger ubeskyttet på visse komponenter under dekselet. Kontakt med disse kan føre til brann eller gi elektriske støt.
- Dersom strømledningen er skadet skal den skiftes ut av produsenten, på et serviceverksted eller av annen kyndig serviceperson. Dette for å redusere faren for støt eller brann.
- Pass på at ledningen er plassert bak produktet så den ikke skades av den varme luften.
- Bruk aldri en fuktig klut til rengjøring av produktets deksel.
- Produktet må ikke brukes i lokaler med høy fuktighet.
- Hvis du skal flytte på produktet bør du la den avkjøles først.
- Produktet må ikke styres av timer eller liknende.

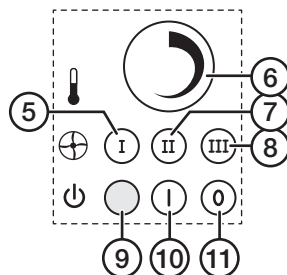
## Produktbeskrivelse

1. Luftutløp
2. Luftinntak
3. Kontrollpanel
4. Utfellbare bein



## Kontrollpanelet

5. [I] Friskluftsinnstilling
6. Termostatbryter
7. [II] Varmluftsinnstilling 900 W
8. [III] Varmluftsinnstilling 1800 W
9. Indikatorlampe
10. [I] På
11. [O] Av: Indikatorlampen (9) begynner å blinke når knappen trykkes inn, og viften vil gå i friskluftsmodus (dersom det er blitt brukt varmluft) for å bli avkjølt (avkjølingsfunksjon). Dette reduserer faren for at noen skal brenne seg på de varme delene på ovnen.



# Bruk

## Plassering

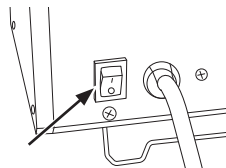
- Plasser vifteovnen på en plan, hard flate.
- Vifteovnen må ikke plasseres på myke underlag, som senger, tepper, tykke tepper etc.
- Plasser ikke vifteovnen i våtrom eller nær dusj eller badekar.
- Bruk aldri dette produktet i fuktige eller svært støvete omgivelser.
- Ovnen må plasseres på god avstand fra møbler, gardiner og andre lettantennelige gjenstander. Vifteovnen må plasseres med en avstand på minst 90 cm fra brennbare materialer/gjenstander.

## På

1. Støpselet kobles til et strømuttak.
2. Skru på strømbryteren som sitter på vifteovnens bakside.
3. Trykk på [I] (I0) for å slå på viften. Indikatorlampen (9) tennes.
4. Trykk på [I], [II] eller [III].



Drei på termostatbryteren for å få varmluft.



## Av

### Hvis viften har gått over i friskluftmodus:

Trykk [0]. Viften skrur av og indikatorlampen slukkes.



Husk at strømbryteren på baksiden på viften fremdeles er på.

### Hvis viften har gått over på en av varmluftsinnstillingene:

Trykk [0]. Viften fortsetter å gå i avkjølingsmodus i ca. 30 sekunder (indikatorlampen blinker) for så å skrur av automatisk.



Husk at strømbryteren på baksiden på viften fremdeles er på.

Hvis du skrur av viften med strømbryteren på baksiden vil ikke avkjølingsfunksjonen bli aktivert. Når du seinere skrur på strømbryteren igjen starter viften i samme modus som da den ble skrudd av.

## Termostatbryter

**Obs!** Husk at størrelsen på rommet, utendørstemperaturen, hvor godt bygningen er isolert etc. påvirker viftens muligheter til å varme opp. Hvis lokalet er for stort kan vifteovnens effekt være for liten til å oppnå ønsket temperatur.

Termostatens temperaturspenn er ca. 5–35 °C. For å varme opp et rom til ønsket temperatur og holde den der, må du gjøre følgende:

1. Drei termostatbryteren helt til maks.
2. Når romtemperaturen er kommet dit du ønsker den dreies termostaten sakte tilbake. Drei til du hører et klikk, avkjølingsfunksjonen aktiveres og viften slås deretter av. Indikatorlampen lyser med fast skinn når avkjølingsfunksjonen aktiveres etter at termostaten stenges av viften.
3. La termostaten stå i denne posisjonen. Viften skrur automatisk på når temperaturen synker til under det innstilte nivået og skrur av igjen når temperaturen kommer opp til dette nivået igjen.




## Viktig!

- La alltid avkjølingsfunksjonen gå i 30 sekunder før du slår av vifteovnen med strømbryteren på baksiden.
- Skru alltid av varmeovnen og trekk støpselet ut av strømuttaket når den ikke er i bruk.

## Overopphetingsvern

Vifteovnen har innebygd vern mot overoppheting. Vifteovnen kobles automatisk ut når overopphetingsvernet kobles inn:

1. Trekk støpselet ut av strømuttaket og la den vifteovnen avkjøles i minst 10 min.
2. Eliminer det som er årsak til at viften blir overopphetet og plugg i støpselet igjen.
3. Vifteovnen skal nå fungere vanlig igjen.

 **Informasjon:** Støpselet må være trukket ut fra strømuttaket i minst 10 minutter for at overopphetingsvernet skal stilles tilbake.

## Vedlikehold

- Trekk alltid støpselet ut fra strømuttaket og avkjøl produktet før rengjøring og oppbevaring.
- Rengjør produktet med en lett fuktet klut. Bruk et mildt rengjøringsmiddel, aldri løsningsmidler eller etsende kjemikalier.
- Når vifteovnen ikke er i bruk skal den lagres tørt og støvfritt, og utilgjengelig for barn. Trekk også ut støpselet.

## Feilsøking

Viften starter ikke.	<ul style="list-style-type: none"><li>• Er strømbryteren på vifteovnens bakside slått på?</li><li>• Er strømkabelen hel og riktig koblet til strømuttaket?</li><li>• Er det strøm i strømuttaket?</li><li>• Har termostaten skrudd av vifteovnen? Se avsnittet <i>Termostatbryteren</i>.</li></ul>
----------------------	--

## Avfallshåndtering

Symbolet viser til at produktet ikke skal kastes sammen med husholdningsavfallet. Dette gjelder innenfor EØS-området. For å forebygge eventuelle skader på helse og miljø som følge av feil håndtering av avfall, skal produktet leveres til gjenvinning, slik at materialet blir tatt hånd om på en ansvarsfull måte. Benytt miljøstasjonene som er der du befinner deg eller ta kontakt med forhandler. De vil ta hånd om produktet på en miljømessig tilfredsstillende måte.



## Spesifikasjoner

Nettspenning	220–240 V AC, 50/60 Hz	Strømkabel	1,6 m
Effektinnstilling [I]	Friskluft	Kapslingsklasse	IP20
Effektinnstilling [II]	Varme 900 W	Mål	270 × 240 × 125 mm
Effektinnstilling [III]	Varme 1800 W	Vekt	2 kg

Informasjonskrav for elektrisk utstyr for romoppvarming (varmeovner)

Modellbetegnelse(r): FH805					
Post	Betegnelse	Verdi	Enhet	Post	
Varmeeffekt				<b>Type tilført varme, kun for elektriske varmelagrende romoppvarmere (velg én)</b>	
Nominell avgitt varmeeffekt	$P_{nom}$	1,8	kW	manuell regulering av varmetilførselen med innebygd termostat	Nei
Laveste varmeeffekt (indikativt)	$P_{min}$	0,9	kW	manuell regulering av varmetilførselen med tilkobling av innendørs og/eller utendørs temperatur.	Nei
Maksimal kontinuerlig varmeeffekt	$P_{max, c}$	1,8	kW	elektronisk regulering av varmetilførselen med tilkobling mot innendørs og/eller utendørs temperatur.	Nei
<b>Supplerende elektrisk strømforbruk</b>	---	---	---	Varmeavlevering med hjelp av vifte	Nei
Ved nominell avgitt varmeeffekt	$e_{l,max}$	1,855	kW	<b>Type regulering av varmeeffekt/romtemperatur (velg én)</b>	
Ved laveste varmeeffekt	$e_{l,min}$	0,946	kW	Ett-trinns varmeeffekt uten romtemperaturregulering	Nei
I standbymodus	$e_{l,SB}$	0,0002	kW	to eller flere manuelle trinn for regulering av romtemperatur	Nei
				med mekanisk termostat for regulering av romtemperatur	Ja
				med elektronisk regulering av romtemperatur	Nei
				med elektronisk regulering av romtemperatur i tillegg til døgtimer	Nei
				med elektronisk regulering av romtemperatur i tillegg til ukestimer	Nei
				<b>Andre reguleringsmetoder (flere alternativer kan velges)</b>	
				romtemperaturregulering med nærhetsregistrering	Nei
				romtemperaturregulering med registrering av åpne vinduer	Nei
				med mulighet for fjernstyring	Nei
				med mulighet for tilpasset startregulering	Nei
				med begrensning av driftstid	Nei
				med svartkroppsgiver	Nei
Kontakt	CLAS OHLSON AB, SE-793 85 INSJÖN, SWEDEN				

## Test Data

### Kommisjonens forordning (EG) No 1275/2008 Krav

Posisjon	Krav på økodesign, f.o.m. 7. januar 2013	Resultat/anmerkning	Utslag
Innstilling avskrudd	Energiforbruk i avskrudd posisjon: Produkters energiforbruk, når det er avskrudd, må ikke overstige 0,50 Watt.	0,0002 W	P
Standbymodus	Energiforbruk i standbymodus: Energiforbruket til produkter; uansett modus, som kun tilbyr en reaktiveringsfunksjon eller bare en reaktiveringsfunksjon og en ren indikasjon av en mulig reaktiveringsfunksjon må ikke overstige 0,50 Watt.	0,0002 kW	P
	Energiforbruket til produkter; uansett modus, som kun tilbyr en informasjon eller statusvisning, eller kun én kombinasjon av reaktiveringsfunksjon og informasjon eller visningsfunksjon, må ikke overstige 1,00 Watt.		Ikke tilgjengelig

### Säsongmedelverkningsgrad för romsuppvärmning

Beskrivelse	Verdi
Midlere virkningsgrad gjennom sesongen for romoppvarming i aktivt posisjon ( $\eta_{S,on}$ )	40 %
For elektriske romvarmere- $\eta_{th}$	100 %
CC er lik «omregningsfaktoren» for elektrisk energi til primærenergi.	2,5
$F(1)$ er en korreksjonsfaktor, uttrykt i prosent, som står for et positivt bidrag til den midlere virkningsgraden gjennom sesongen for romoppvarming for elektriske varmelagrede romvarmere på grunn av justering gjennom tilskudd for muligheter til å velge varmelagring eller effekt, og et negativt bidrag til sesongsnittvirkningsgraden for oppvarming av rom for romvarmere for kommersiell bruk som følge av tilpassing gjennom tilskudd for alternativer for valg av varmeeffekt,	0,0 %
$F(2)$ er en korreksjonsfaktor, uttrykt i prosent, som står for et positivt bidrag til den midlere virkningsgraden gjennom sesongen for oppvarming av rom som følge av tilpassing gjennom bidrag for forskjellige typer regulering av varmekomfort innendørs, disse ulike typene utelukker hverandre og kan ikke slås sammen,	6,0 %
$F(3)$ er en korreksjonsfaktor, uttrykt i prosent, som står for et positivt bidrag til den midlere virkningsgraden gjennom sesongen for oppvarming av rom som følge av tilpassing gjennom bidrag for forskjellige typer regulering av varmekomfort innendørs, disse ulike typene kan slås sammen,	0,0 %
$F(4)$ er en korreksjonsfaktor, uttrykt i prosent, som representerer et negativt bidrag til den midlere virkningsgraden gjennom sesongen for romoppvarming ved bruk av tilleggsstrøm,	0,0 %
$F(5)$ er en korreksjonsfaktor, uttrykt i prosent, som representerer et negativt bidrag til den midlere virkningsgraden gjennom sesongen for romoppvarming på grunn av den permanente tennflammens effektbehov.	0,0 %
Den midlere virkningsgraden gjennom sesongen for romoppvarming $-\eta_S$	36 %
Utslag	p

# Lämpöpuhallin

Tuotenro 18-1458, 36-6933 Malli FH805

Lue käyttöohje ennen tuotteen käyttöönottoa ja säilytä se tulevaa tarvetta varten. Pidätämme oikeuden teknisten tietojen muutoksiin. Emme vastaa mahdollisista teksti- tai kuvavirheistä. Jos tuotteeseen tulee teknisiä ongelmia, ota yhteys myymälään tai asiakaspalveluun (yhteystiedot käyttöohjeen lopussa).

## Turvallisuus



**Varoitus!** Laite kuumenee erittäin paljon käytön aikana. **Palovammavaara.** Jos laitteen kanssa samassa tilassa on lapsia tai kuumuudelle herkkiä ihmisiä, tulee olla erityisen varovainen.

**Varoitus!** Ilman ulostuloaukon ritilä kuumenee käytön aikana. **Palovammavaara.**

Älä koske ilman ulostuloaukon ritilään laitteen ollessa päällä. Anna laitteen jäähtyä kokonaan ennen sen käsittelyä käytön jälkeen.



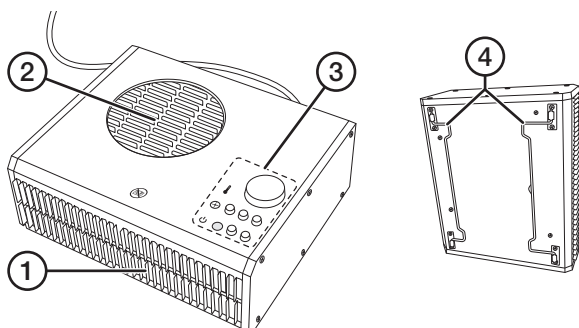
**Varoitus!** Älä peitä laitetta. Ylikuumenemisen estämiseksi laitetta ei saa peittää.

- Pidä laite alle 3-vuotiaiden ulottumattomissa, jos lasta ei valvota jatkuvasti.
- 3-8-vuotiaat lapset saavat käynnistää ja sammuttaa laitteen vain, jos se on sijoitettu/asennettu käyttöohjeessa kuvatulla tavalla ja jos heitä on ohjeistettu laitteen turvallisesta käytöstä ja käytön mahdollisista vaaroista.
- 3-8-vuotiaat lapset eivät saa liittää laitetta pistorasiaan tai säätää tai huoltaa laitetta.
- Laitetta eivät saa käyttää henkilöt (mukaan lukien lapset), joilla on fyysisiä tai psyykkisiä rajoitteita. Henkilöt, joilla ei ole riittävästi kokemusta ja taitoja, eivät saa käyttää laitetta ilman heidän turvallisuudestaan vastaavan henkilön antamia ohjeita.
- Laitetta saavat käyttää vain yli 8-vuotiaat. Henkilöt, joilla on fyysisiä tai psyykkisiä rajoitteita tai henkilöt, joilla ei ole riittävästi laitteen käytön turvallisuuteen vaikuttavia taitoja tai kokemusta, saavat käyttää laitetta, jos heitä on ohjeistettu sen turvallisesta käytöstä ja käytön mahdollisista vaaroista.
- Älä anna lasten leikkiä laitteella.
- Lapset eivät saa puhdistaa tai huoltaa laitetta ilman aikuisen valvontaa.
- Varmista, etteivät laitteen ilma-aukot ole tukossa.
- Laitetta tulee käyttää ainoastaan tasaisella pinnalla.
- Irrota pistoke pistorasiasta puhdistuksen ajaksi, sekä silloin, kun laitetta ei käytetä.
- Älä jätä laitetta ilman valvontaa sen ollessa päällä.
- Laite on tarkoitettu normaaliin käyttöön kotona käyttöohjeen ohjeiden mukaisesti.
- Sijoita laite aina vähintään 90 cm:n etäisyydelle tulenaroista materiaaleista, kuten esimerkiksi huonekaluista, verhoista ja vuodevaatteista.
- Älä käytä laitetta, jos se on vaurioitunut tai jos se ei toimi oikealla tavalla. Älä myöskään käytä laitetta, jos sen johto tai pistoke on vioittunut.
- Laitetta ei tule käyttää ammeen, suihkun tai uima-altaan läheisyydessä.
- Älä upota laitetta veteen, äläkä anna sen pistokkeen, termostaatin tai virtakytkimen joutua kosketuksiin veden kanssa.
- Pidä laite puhtaana. Huolehdi siitä, etteivät mitkään vieraat esineet pääse sisään ilma-aukkoihin, vieraiden esineiden joutuminen ilma-aukkoihin saattaa aiheuttaa sähköiskun tai tulipalon.
- Lapsia on valvottava heidän oleskellessaan tiloissa, joissa laitetta käytetään.
- Laitteen saa liittää vain pistorasiaan, joka on 230 V, 50 Hz.
- Laitetta ei saa asettaa suoraan pistorasian alapuolelle.
- Laitetta ei saa asettaa kamiinan, keittotason tai muun lämmönlähteen päälle eikä läheisyyteen.

- Älä jätä laitetta päälle yön ajaksi ilman valvontaa.
- Ennen laitteen liittämistä pistorasiaan varmista, ettei laite ole päällä, eikä kätesi ole kosteat tai märät.
- Älä käytä jatkojohtoa, vaan liitä laitteen virtajohto suoraan seinäpistorasiaan.
- Laitetta saa käyttää ainoastaan sisätiloissa.
- Älä pura tai muuta laitetta. Laitteen kotelon sisällä on vaarallista jännitettä sisältäviä suojaamattomia komponentteja. Niiden koskettaminen saattaa johtaa tulipaloon tai sähköiskuun.
- Vioittuneen johdon saa vaihtaa ainoastaan valmistaja, sen määräämä huoltopiste tai valtuutettu ammattilainen. Näin vältetään sähköiskujen ja tulipalojen riski.
- Varmista, että virtajohto on laitteen takana, jotta laitteesta tuleva lämpö ei vahingoita johtoa.
- Älä käytä laitteen puhdistamiseen kosteaa liinaa tai vettä oikosulku- tai sähköiskuriskin vuoksi.
- Laitetta ei saa käyttää kosteissa tiloissa.
- Jos laitetta tarvitsee siirtää, anna sen ensin jäähtyä.
- Laitetta ei saa käyttää ajastimella ym.

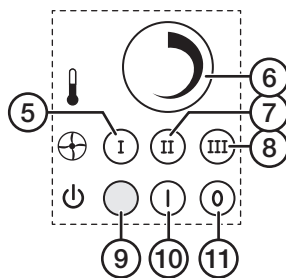
## Tuotekuvas

1. Ilman ulostuloaukko
2. Ilman sisäänmenoaukko
3. Ohjauspaneeli
4. Ulos taitettavat jalat



## Ohjauspaneeli

5. [I] Pelkkä puhallus
6. Termostaattivipu
7. [II] Lämmin puhallus 900 W
8. [III] Lämmin puhallus 1800 W
9. Merkkivalo
10. [I] Päälle
11. [O]: Pois päältä: Kun painiketta painetaan, merkkivalo (9) vilkkuu ja puhallin menee 30 sekunniksi puhallustilaan (jos käytössä on ollut lämmin puhallus), jotta laite viilenisi (viilennystoiminto). Tämä pienentää palovammojen riskiä.



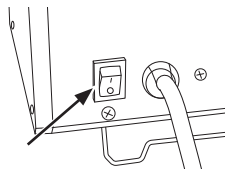
# Käyttö

## Sijoittaminen

- Sijoita puhallin tasaiselle ja kovalle pinnalle.
- Älä sijoita puhallinta pehmeille alustoille, kuten vuoteelle, peitteelle tai paksuille matoille jne.
- Älä sijoita puhallinta kylpyhuoneeseen, pesutupaan tai suihkun tai ammeen läheisyyteen.
- Älä käytä puhallinta kosteissa tai hyvin pölyisissä tiloissa.
- Älä sijoita puhallinta huonekalujen, verhojen tai muiden helposti syttyvien esineiden lähelle. Varmista, että puhallin on vähintään 90 cm:n päässä tulenaroista esineistä.

## Käynnistäminen

1. Liitä pistoke pistorasiaan.
2. Paina puhaltimen takapuolella olevaa virtakytkintä.
3. Käynnistä puhallin painamalla [I] (IO). Merkkivalo (9) syttyy.
4. Paina [I], [II] tai [III].



- i** Lämmin puhallus käynnistetään kääntämällä termostaattivipua.

## Sammuttaminen

### Jos käytät pelkkää puhallusta:

Paina [O]. Puhallin ja merkkivalo sammuvat.

- i** Ota huomioon, että puhaltimen takapuolella oleva virtakytkin on edelleen päällä.

### Jos käytät lämmintä puhallusta:

Paina [O]. Viilennystoiminto käynnistyy noin 30 sekunniksi (merkkivalo vilkkuu), minkä jälkeen puhallin sammuu automaattisesti.

- i** Ota huomioon, että puhaltimen takapuolella oleva virtakytkin on edelleen päällä. Jos sammutat puhaltimen suoraan takapuolella olevasta virtakytkimestä, viilennystoiminto ei käynnisty. Kun käynnistät puhaltimen jälleen virtakytkimestä, laite palaa samaan käyttötilaan, jossa se oli ennen sammuttamista.

## Termostaattivipu

**Huom.!** Ota huomioon, että huoneen koko, ulkolämpötila, talon eristys jne. vaikuttavat lämpöpuhaltimen mahdollisuuksiin lämmittää huonetta. Jos huone on liian suuri, lämpöpuhaltimen teho ei välttämättä riitä toivotun lämpötilan saavuttamiseen.

Termostaatin lämpötila-alue on noin 5–35 °C. Näin lämmität huoneen haluamaasi lämpötilaan:

1. Väännä termostaattivipu maksimiasentoon.
2. Käännä vipua hitaasti takaisin, kun haluttu huonelämpötila on saavutettu. Käännä, kunnes kuulet napsahduksen. Viilennystoiminto käynnistyy, minkä jälkeen puhallin sammuu. Merkkivalo palaa vilkkumatta, kun viilennystoiminto käynnistyy termostaatin sammutettua puhaltimen.
3. Jätä vipu tähän asentoon. Lämpöpuhallin käynnistyy itsestään, kun lämpötila laskee alle säädetyn tason, ja sammuu, kun säädetty lämpötila saavutetaan.



**Huom.!**

- Anna viilennystoiminnon aina olla toiminnassa 30 sekuntia ennen kuin sammutat laitteen virtakytkimestä.
- Sammuta laite virtakytkimestä ja irrota pistoke pistorasiasta, kun laitetta ei käytetä.

## Ylikuumentumissuoja

Puhaltimessa on sisäänrakennettu ylikuumentumissuoja. Jos ylikuumentumissuoja laukeaa, puhallin sammuu.

1. Irrota pistoke pistorasiasta ja anna puhaltimen jäähtyä vähintään 10 minuuttia.
2. Poista ylikuumentumisen mahdolliset aiheuttajat ja laita pistoke takaisin pistorasiaan.
3. Puhaltimen pitäisi nyt toimia normaalisti.



**Huom.!** Pistokkeen tulee olla **poissa** pistorasiasta vähintään 10 min, jotta ylikuumentumissuoja palautuu.

## Huolto ja ylläpito

- Irrota pistoke pistorasiasta ja anna laitteen jäähtyä ennen puhdistamista ja säilytystä.
- Pyyhi laite kevyesti kostutetulla pehmeällä liinalla. Käytä mietoa puhdistusainetta. Älä käytä liuottimia tai syövyttäviä kemikaaleja.
- Jos puhallinta ei käytetä pitkään aikaan, irrota pistoke pistorasiasta ja säilytä laitetta kuivassa ja pölyttömässä paikassa lasten ulottumattomissa.

## Vianhakutaulukko

Lämpöpuhallin ei käynnisty.	<ul style="list-style-type: none"> <li>• Onko puhaltimen takapuolella oleva virtakytkin päällä?</li> <li>• Onko virtajohto ehjä ja liitetty kunnolla pistorasiaan?</li> <li>• Onko pistorasiassa virtaa?</li> <li>• Onko termostaatti sammuttanut lämpöpuhalltimen? Lue kohta <i>Termostaattivipu</i>.</li> </ul>
-----------------------------	---

## Kierrättäminen

Tämä kuvake tarkoittaa, että tuotetta ei saa hävittää kotitalousjätteen seassa. Tämä koskee koko EU-aluetta. Virheellisestä hävittämisestä johtuvien mahdollisten ympäristö- ja terveyshaittojen ehkäisemiseksi tuote tulee viedä kierrätettäväksi, jotta materiaali voidaan käsitellä vastuullisella tavalla. Kierrätä tuote käyttämällä paikallisia kierrätysjärjestelmiä tai ota yhteys ostopaikkaan. Ostopaikassa tuote kierrätetään vastuullisella tavalla.



## Tekniset tiedot

<b>Verkkovirtaliitäntä</b>	220–240 V AC, 50/60 Hz	<b>Virtajohto</b>	1,6 m
<b>Teho [I]</b>	Pelkkä puhallus	<b>Kotelointiluokka</b>	IP20
<b>Teho [II]</b>	Lämmin puhallus 900 W	<b>Mitat</b>	270 × 240 × 125 mm
<b>Teho [III]</b>	Lämmin puhallus 1800 W	<b>Paino</b>	2 kg

Sähkökäyttöisten paikallisten tilälämmittimien tietovaatimukset

Mallitunniste(et): FH805					
Kohta	Symboli	Arvo	Yksikkö	Kohta	
Lämpöteho				<b>Lämmönsyötön tyyppi, ainoastaan sähkökäyttöiset varaavat paikalliset tilälämmittimet (valitaan yksi)</b>	
Nimellislämpöteho	$P_{nom}$	1,8	kW	manuaalinen lämmönvarauksen säätö, johon liittyy integroitu termostaatti	Ei
Vähimmäislämpöteho (ohjeellinen)	$P_{min}$	0,9	kW	manuaalinen lämmönvarauksen säätö, johon liittyy huone- ja/tai ulkolämpötilan kompensointi	Ei
Suurin jatkuva lämpöteho	$P_{max, c}$	1,8	kW	sähköinen lämmönvarauksen säätö, johon liittyy huone- ja/tai ulkolämpötilan kompensointi	Ei
<b>Lisäsähkökulutus</b>	---	---	---	puhallinlämmitys	Ei
Nimellislämpöteholla	$e_{l_{max}}$	1,855	kW	<b>Lämmityksen/huonelämpötilan säädön tyyppi (valitaan yksi)</b>	
Vähimmäislämpöteholla	$e_{l_{min}}$	0,946	kW	yksiportainen lämmitys ilman huonelämpötilan säätöä	Ei
Valmiustilassa	$e_{l_{SB}}$	0,0002	kW	kaksi tai useampi manuaalista porrasta ilman huonelämpötilan säätöä	Ei
				mekaanisella termostaatilla toteutetulla huonelämpötilan säädöllä	Kyllä
				sähköisellä huonelämpötilan säädöllä	Ei
				sähköinen huonelämpötilan säätö ja vuorokausiajastin	Ei
				sähköinen huonelämpötilan säätö ja viikkoajastin	Ei
				<b>Muut säätömahdollisuudet (voidaan valita useita)</b>	
				huonelämpötilan säätö läsnäolotunnistimen kanssa	Ei
				huonelämpötilan säätö avoimen ikkunan tunnistimen kanssa	Ei
				etäohjausmahdollisuuden kanssa	Ei
				mukautuvan käynnistyksen ohjauksen kanssa	Ei
				käyntiajan rajoituksen kanssa	Ei
				lämpösäteilyanturin kanssa	Ei
Yhteystiedot	CLAS OHLSON AB, SE-793 85 INSJÖN, SWEDEN				



## Testitiedot

### Komission asetuksen (EY) N:o 1275/2008 vaatimus

Tila	Ekosuunnitteluvaatimukset 7.1. 2013 alkaen	Tulos - Kommentti	Johtopäätös
Pois päältä -tila	Tehonkulutus pois päältä -tilassa: Laitteen tehonkulutus missä tahansa pois päältä -tilassa ei saa olla suurempi kuin 0,50 wattia.	0,0002 kW	P
Valmiustila	Tehonkulutus valmiustilassa: Laitteen tehonkulutus missä tahansa tilassa, jossa yksinomaan mahdollistetaan uudelleenaktivoitointitoiminto tai jossa mahdollistetaan yksinomaan uudelleenaktivoitointitoiminto ja pelkkä uudelleenaktivoitavuuden ilmainen, ei saa olla suurempi kuin 0,50 wattia.	0,0002 kW	P
	Laitteen tehonkulutus missä tahansa tilassa, jossa yksinomaan mahdollistetaan tieto- tai tilanäyttö tai jossa yksinomaan mahdollistetaan uudelleenaktivoitointitoiminnon ja tieto- tai tilanäytön yhdistelmä, ei saa olla suurempi kuin 1,00 wattia.		Ei sovelleta

### Tilalämmityksen kausittainen energiatehokkuus

Kuvaus	Arvo
Tilalämmityksen kausittainen energiatehokkuus aktiivitalassa- $\eta_{S,on}$	40 %
Sähkökäyttöiset paikalliset tilalämmittimet- $\eta_{th}$	100 %
Muuntokerroin sähköenergiasta primäärienergiaksi-CC	2,5
$F(1)$ on korjauskerroin, joka vastaa lämmönvaraus- ja lämmitysvaihtoehtojen mukautetusta vaikutuksesta johtuvaa sähkökäyttöisten varaavien paikallisten tilalämmittimien positiivista vaikutusta tilalämmityksen kausittaiseen energiatehokkuuteen; ja kaupalliseen käyttöön tarkoitettujen paikallisten tilalämmittimien osalta lämmitysvaihtoehtojen mukautetusta vaikutuksesta johtuvaa negatiivista vaikutusta tilalämmityksen kausittaiseen energiatehokkuuteen prosentteina ilmaistuna;	0,0 %
$F(2)$ on korjauskerroin, joka vastaa huoneen lämmitysmukavuuden säätöjen mukautetusta vaikutuksesta johtuvaa positiivista vaikutusta tilalämmityksen kausittaiseen energiatehokkuuteen, kun arvot ovat toisensa pois sulkevia tai niitä ei voida laskea yhteen, prosentteina ilmaistuna;	6,0 %
$F(3)$ on korjauskerroin, joka vastaa huoneen lämmitysmukavuuden säätöjen mukautetusta vaikutuksesta johtuvaa positiivista vaikutusta tilalämmityksen kausittaiseen energiatehokkuuteen, kun arvot voidaan laskea yhteen, prosentteina ilmaistuna;	0,0 %
$F(4)$ on korjauskerroin, joka vastaa lisäsähkökulutuksen negatiivista vaikutusta tilalämmityksen kausittaiseen energiatehokkuuteen prosentteina ilmaistuna;	0,0 %
$F(5)$ on korjauskerroin, joka vastaa jatkuvasti palavan sytytysliekin energiankulutuksen negatiivista vaikutusta tilalämmityksen kausittaiseen energiatehokkuuteen prosentteina ilmaistuna.	0,0 %
Tilalämmityksen kausittainen energiatehokkuus- $\eta_S$	36 %
Johtopäätös	p

# Heizlüfter

Art.Nr. 18-1458, 36-6933

Modell FH805

Vor Inbetriebnahme die Bedienungsanleitung vollständig durchlesen und für künftigen Gebrauch aufbewahren. Irrtümer, Abweichungen und Änderungen behalten wir uns vor. Bei technischen Problemen oder anderen Fragen freut sich unser Kundenservice über eine Kontaktaufnahme (Kontakt siehe Rückseite).

## Sicherheitshinweise



**Warnung:** Das Gerät wird bei Benutzung sehr heiß. **Verbrennungsgefahr.** Besondere Vorsicht ist geboten, wenn sich Kinder oder andere empfindliche Personen in den Räumlichkeiten befinden, in denen das Gerät benutzt wird.

**Warnung:** Der Luftauslass wird sehr heiß, wenn das Gerät in Betrieb ist. **Verbrennungsgefahr.**

Niemals die Gitter des Gerätes anfassen, während dieser angeschaltet ist. Das Gerät komplett abkühlen lassen, bevor es nach der Benutzung transportiert oder verstaut wird.



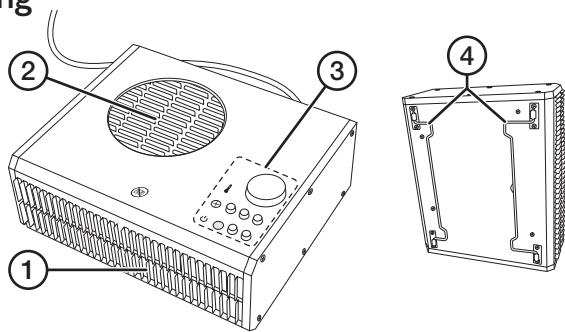
**Warnung:** Darf nicht zugedeckt werden. Das Gerät nicht zudecken, dadurch kann es zu Überhitzung kommen.

- Das Gerät außerhalb der Reichweite von Kindern unter 3 Jahren halten, wenn diese nicht ständig überwacht werden können.
- Kinder von 3 bis 8 Jahren dürfen das Gerät nur dann ein- bzw. ausschalten, wenn dieses auf die in dieser Bedienungsanleitung beschriebenen Weise aufgestellt/ installiert wurde und wenn diese in die sichere Handhabung eingeführt worden sind und Risiken und Gefahren der Benutzung verstehen.
- Kinder von 3 bis 8 Jahren dürfen das Gerät nicht anschließen, einstellen oder warten.
- Das Gerät darf nicht von Personen (und Kindern) mit eingeschränkter körperlicher oder geistiger Leistungsfähigkeit verwendet werden. Das Gerät auch nicht von Personen ohne ausreichende Erfahrung oder Kenntnissen benutzen lassen, wenn diese nicht von einer für ihre Sicherheit verantwortlichen Person in die sichere Handhabung eingeführt worden sind.
- Das Gerät ist nur dann für Kinder ab 8 Jahren oder Personen mit eingeschränkten physischen, sensorischen oder geistigen Fähigkeiten, bzw. mangelnder Erfahrung/Wissen geeignet, wenn diese in die sichere Handhabung eingeführt worden sind und Risiken und Gefahren der Benutzung verstehen.
- Kein Kinderspielzeug.
- Reinigung und Wartung darf von Kindern nur unter Aufsicht eines Erwachsenen durchgeführt werden.
- Sicherstellen, dass die Belüftungsöffnungen des Gerätes stets frei von Blockaden usw. sind.
- Das Gerät nur auf einer ebenen Oberfläche benutzen.
- Vor der Reinigung und bei Nichtbenutzung immer den Netzstecker abziehen.
- Das Gerät während des Betriebs niemals unbeaufsichtigt lassen.
- Das Gerät ist nur für den Hausgebrauch und für die in dieser Bedienungsanleitung beschriebene Benutzung vorgesehen.
- Das Gerät mindestens 90 cm von brennbaren Materialien wie Möbeln, Gardinen, Bettwäsche usw. aufstellen.
- Das Gerät nicht betreiben, wenn es auf irgendeine Weise beschädigt ist oder nicht fehlerfrei funktioniert. Das Gerät bei beschädigtem Netzstecker oder -kabel nicht betreiben.
- Das Gerät niemals in der Nähe von Badewannen, Duschen oder Schwimmbecken benutzen.
- Das Gerät niemals in Wasser tauchen und niemals Wasser in Kontakt mit dem Stecker, dem Thermostat oder dem Stromschalter des Gerätes kommen lassen.
- Das Gerät sauber halten. Darauf achten, dass keine Fremdkörper in die Belüftungsöffnungen des Gerätes gelangen können, da dies das Risiko für Stromschläge oder Feuer erhöht.
- Kinder ununterbrochen beaufsichtigen, wenn sie sich im selben Raum wie das laufende Gerät aufhalten.
- Das Gerät nur an Steckdosen mit 230 V, 50 Hz anschließen.

- Das Gerät niemals direkt unter einer Steckdose aufstellen.
- Das Gerät nicht nahe an oder auf einem Kamin, einer Heizplatte oder anderen Wärmequelle aufstellen.
- Das Gerät niemals über die Nacht unbeaufsichtigt eingeschaltet lassen.
- Bevor das Gerät an die Steckdose angeschlossen wird sicherstellen, dass das Gerät ausgeschaltet ist und die Hände nicht nass oder feucht sind.
- Kein Verlängerungskabel benutzen, sondern das Netzkabel direkt an die Steckdose anschließen.
- Nur zur Verwendung im Inneren geeignet.
- Das Gerät darf nicht demontiert oder anderweitig geändert werden. Unter dem Gehäuse befinden sich nicht isolierte Komponenten mit gefährlicher Stromspannung. Bei Kontakt können diese zu Bränden oder Stromschlägen führen.
- Zur Vermeidung von Stromschlägen und Bränden darf das Netzkabel bei Beschädigung nur vom Hersteller, seinem Kundendienst oder qualifiziertem Fachpersonal ausgetauscht werden.
- Sicherstellen, dass sich das Netzkabel an der Rückseite des Gerätes befindet, damit es nicht durch die Hitze des Gerätes beschädigt wird.
- Niemals ein feuchtes Tuch oder Wasser zur Reinigung des Gehäuses benutzen, es besteht Risiko von Kurzschluss oder Stromschlägen.
- Das Gerät nicht in feuchten Räumen verwenden.
- Wird das Gerät an einen anderen Platz gebracht, erst vorher abkühlen lassen.
- Das Gerät niemals über eine externe Zeitschaltuhr oder dergleichen steuern.

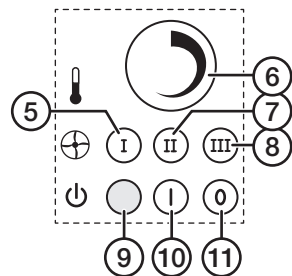
## Produktbeschreibung

1. Luftauslass
2. Lufteinlass
3. Bedienfeld
4. Einklappbare Beine



## Bedienfeld

5. [I] Frischluftmodus
6. Temperaturregler
7. [II] Warmluftmodus 900 W
8. [III] Warmluftmodus 1800 W
9. Kontrollleuchte
10. [I] Ein
11. [O] Aus: Wenn diese Taste betätigt wird, blinkt die Kontrollleuchte (9) und der Heizlüfter geht für 30 Sekunden in den Frischluftmodus über (falls eine der Heizstufen eingestellt war), damit sich der Heizlüfter abkühlen kann (Abkühlfunktion). So wird der Gefahr entgegengewirkt, dass sich jemand an einem heißen Bauteil verbrennt.



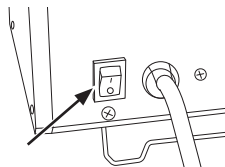
# Bedienung

## Standort

- Das Gerät auf einer flachen, harten Oberfläche aufstellen.
- Das Gerät nie auf einer weichen Unterlage aufstellen, z. B. Bett, Decken, dicken Teppichen etc.
- Das Gerät nicht im Badezimmer, in der Waschküche oder in der Nähe von Dusche oder Badewanne aufstellen.
- Das Gerät nicht in feuchten oder sehr staubigen Umgebungen benutzen.
- Das Gerät mit ausreichend Abstand zu Möbeln, Gardinen oder anderen leicht entzündbaren Gegenständen aufstellen. Sicherstellen, dass das Gerät min. 90 cm von brennbaren Gegenständen entfernt steht.

## Ein

1. Den Netzstecker in eine Steckdose stecken.
2. Den Stromschalter an der Rückseite des Gerätes betätigen.
3. Auf [I] (I0) drücken, um das Gerät einzuschalten. Die Kontrollleuchte (9) leuchtet auf.
4. Auf [I], [II] oder [III] drücken.



- i** Damit eine Heizstufe gestartet werden kann, muss der Temperaturregler nach oben gedreht werden.

## Aus

### Wenn das Gerät im Frischluftmodus ist:

Auf [0] drücken. Der Heizlüfter schaltet sich aus und die Kontrollleuchte erlischt.

- i** Bitte beachten, dass der Stromschalter auf der Rückseite des Gerätes weiterhin eingeschaltet ist.

### Wenn das Gerät auf einer der Heizstufen ist:

Auf [0] drücken. Der Heizlüfter geht für ca. 30 Sekunden in den Abkühlmodus über (Kontrollleuchte blinkt) und schaltet sich anschließend automatisch aus.

- i** Bitte beachten, dass der Stromschalter auf der Rückseite des Gerätes weiterhin eingeschaltet ist. Wenn das Gerät direkt mithilfe des Stromschalters auf der Rückseite ausgeschaltet wird, aktiviert sich die Abkühlfunktion nicht. Wenn das Gerät anschließend wieder eingeschaltet wird, befindet es sich im gleichen Modus wie vor dem Ausschalten.

## Temperaturregler

**Hinweis:** Bitte beachten, dass die Heizleistung von der Größe des Raums, der Außentemperatur, der Isolierung des Hauses usw. abhängig ist. Ist der Raum zu groß, kann die Leistung des Gerätes evtl. zu niedrig sein, um die gewünschte Temperatur zu erreichen.

Der Temperaturregler deckt eine Temperaturspanne von 5–35 °C ab. Um ein Zimmer auf die gewünschte Temperatur aufzuwärmen, wie folgt vorgehen:

1. Den Temperaturregler bis zum Anschlag aufdrehen.
2. Langsam zurückdrehen, wenn der Raum die gewünschte Temperatur erreicht hat. Den Regler zurückdrehen, bis ein Klicken zu hören ist, die Abkühlfunktion aktiviert wird und der Lüfter sich abschaltet. Bei Aktivierung der Abkühlfunktion wegen Ausschalten des Heizlüfters durch das Thermostat leuchtet die Kontrollleuchte kontinuierlich.
3. Den Regler auf dieser Position lassen. Der Heizlüfter schaltet sich automatisch ein, wenn die Temperatur unter das eingestellte Niveau sinkt und schaltet sich ab, wenn die Temperatur wieder erreicht wurde.


## Wichtig:

- Immer den 30-sekündigen Abkühlvorgang abwarten, bevor der Lüfter mittels des Stromschalters auf der Rückseite abgestellt.
- Bei Nichtbenutzung stets das Gerät ausschalten und den Netzstecker ziehen.

## Überhitzungsschutz

Der Heizlüfter verfügt über einen integrierten Überhitzungsschutz. Wird der Überhitzungsschutz ausgelöst, schaltet sich das Gerät ab.

1. In diesem Fall den Netzstecker ziehen und das Gerät mind. 10 min lang abkühlen lassen.
2. Eventuelle Ursachen für die Überhitzung entfernen, bevor der Netzstecker wieder in die Steckdose gesteckt wird.
3. Das Gerät sollte nun wieder normal funktionieren.

 **Hinweis:** Der Netzstecker **muss** mind. 10 min lang gezogen bleiben, damit sich der Überhitzungsschutz abschaltet.

## Pflege und Wartung

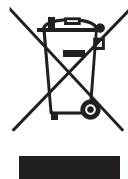
- Vor der Reinigung oder Wartung stets den Netzstecker ziehen und das Gerät abkühlen lassen.
- Das Produkt mit einem feuchten Tuch reinigen. Ein sanftes Reinigungsmittel verwenden, keine scharfen Chemikalien oder Lösungsmittel.
- Bei längerer Nichtbenutzung immer den Netzstecker ziehen und das Produkt in einem trockenen Innenraum und für Kinder unzugänglich aufbewahren.

## Fehlersuche

Das Gerät startet nicht.	<ul style="list-style-type: none"><li>• Sicherstellen, dass der Stromschalter auf der Rückseite des Gerätes angeschaltet ist.</li><li>• Sicherstellen, dass das Netzkabel unbeschädigt und richtig an die Steckdose angeschlossen ist.</li><li>• Überprüfen, ob Spannung auf der Steckdose liegt.</li><li>• Überprüfen, ob der Temperaturregler den Heizlüfter abgeschaltet hat. Siehe Abschnitt <i>Temperaturregler</i>.</li></ul>
--------------------------	---

## Hinweise zur Entsorgung

Dieses Symbol zeigt an, dass das Produkt nicht gemeinsam mit dem Haushaltsabfall entsorgt werden darf. Dies gilt in der gesamten EU. Um möglichen Schäden für die Umwelt und Gesundheit vorzubeugen, die durch fehlerhafte Abfallentsorgung verursacht werden, dieses Produkt zum verantwortlichen Recycling geben, um die nachhaltige Wiederverwertung von stofflichen Ressourcen zu fördern. Bei der Abgabe des Produktes bitte die vorhandenen Recycling- und Sammelstationen benutzen oder den Händler kontaktieren. Dieser kann das Produkt auf eine umweltfreundliche Weise recyceln.



## Technische Daten

<b>Betriebsspannung</b>	220–240 V AC, 50/60 Hz	<b>Netzkabel</b>	1,6 m
<b>Leistungsstufe [I]</b>	Frischlufmodus	<b>Schutzart</b>	IP20
<b>Leistungsstufe [II]</b>	Wärme 900 W	<b>Abmessungen</b>	270 × 240 × 125 mm
<b>Leistungsstufe [III]</b>	Wärme 1800 W	<b>Gewicht</b>	2 kg

**Erforderliche Angaben zu elektrischen Einzelraumheizgeräten**

Modellkennung(en): FH805					
Angabe	Symbol	Wert	Einheit	Angabe	
Wärmeleistung			<b>Nur bei elektrischen Speicher-Einzelraumheizgeräten: Art der Regelung der Wärmezufuhr (bitte eine Möglichkeit auswählen)</b>		
Nennwärmeleistung	$P_{nom}$	1,8	kW	manuelle Regelung der Wärmezufuhr mit integriertem Thermostat	nein
Mindestwärmeleistung (Richtwert)	$P_{min}$	0,9	kW	manuelle Regelung der Wärmezufuhr mit Rückmeldung der Raum- und/oder Außentemperatur	nein
Maximale kontinuierliche Wärmeleistung	$P_{max, c}$	1,8	kW	elektronische Regelung der Wärmezufuhr mit Rückmeldung der Raum- und/oder Außentemperatur	nein
<b>Hilfsstromverbrauch</b>	---	---	---	Wärmeabgabe mit Gebläseunterstützung	nein
Bei Nennwärmeleistung	$e_{l_{max}}$	1,855	kW	<b>Art der Wärmeleistung/Raumtemperaturkontrolle (bitte eine Möglichkeit auswählen)</b>	
Bei Mindestwärmeleistung	$e_{l_{min}}$	0,946	kW	einstufige Wärmeleistung, keine Raumtemperaturkontrolle	nein
Im Bereitschaftszustand	$e_{l_{SB}}$	0,0002	kW	zwei oder mehr manuell einstellbare Stufen, keine Raumtemperaturkontrolle	nein
				Raumtemperaturkontrolle mit mechanischem Thermostat	ja
				mit elektronischer Raumtemperaturkontrolle	nein
				elektronische Raumtemperaturkontrolle und Tageszeitregelung	nein
				elektronische Raumtemperaturkontrolle und Wochentagsregelung	nein
				<b>Sonstige Regelungsoptionen (Mehrfachnennungen möglich)</b>	
				Raumtemperaturkontrolle mit Präsenzerkennung	nein
				Raumtemperaturkontrolle mit Erkennung offener Fenster	nein
				mit Fernbedienungsoption	nein
				mit adaptiver Regelung des Heizbeginns	nein
				mit Betriebszeitbegrenzung	nein
				mit Schwarzkugelsensor	nein
Kontaktangaben	CLAS OHLSON AB, SE-793 85 INSJÖN, SWEDEN				

**Testdaten**

**Kommissionsverordnung (EG) Nr. 1275/2008**

Modus	Ökodesign-Anforderungen, vom 7. Januar 2013	Ergebnis -Anmerkung	Entscheid
Aus-Zustand	Stromverbrauch im Aus-Zustand: Die Leistungsaufnahme des Geräts im Aus-Zustand darf 0,50 W nicht überschreiten.	0,0002 kW	p
Bereitschafts-zustand	Stromverbrauch im Bereitschaftszustand: Die Leistungsaufnahme des Geräts in einem Zustand, in dem nur eine Reaktivierungsfunktion oder nur eine Reaktivierungsfunktion mit der Anzeige ihrer Aktivierung bereitgestellt wird, darf 0,50 W nicht überschreiten.	0,0002 kW	p
	Der Stromverbrauch des Geräts in einem Zustand, in dem nur Information oder eine Statusanzeige oder eine Reaktivierungsfunktion in Verbindung mit Information oder einer Statusanzeige bereitgestellt wird, darf 1,00 W nicht überschreiten.		Nicht anwendbar

**Raumheizungs-Jahresnutzungsgrad**

Beschreibung	Wert
Raumheizungs-Jahresnutzungsgrad im Betriebszustand $\eta_{S,on}$	40 %
Bei elektrischen Einzelraumheizgeräten $\eta_{IH}$	100 %
CC ist der „Umrechnungskoeffizient“ zur Umrechnung elektrischer Energie in Primärenergie.	2,5
$F(1)$ ist ein Korrekturfaktor in %, der dem positiven Beitrag zum Raumheizungs-Jahresnutzungsgrad von elektrischen Speicher-Einzelraumheizgeräten, der auf die angepassten Beiträge der Wärmespeicherungs- und Wärmeleistungsoptionen zurückgeht, sowie dem negativen Beitrag zum Raumheizungs-Jahresnutzungsgrad von gewerblich genutzten Einzelraumheizgeräten, der auf die angepassten Beiträge der Wärmeleistungs- Optionen zurückgeht, Rechnung trägt;	0,0 %
$F(2)$ ist ein Korrekturfaktor in %, der dem positiven Beitrag zum Raumheizungs-Jahresnutzungsgrad Rechnung trägt, der auf die angepassten Beiträge raumtemperaturgeführter Regelungen zurückgeht, deren Werte sich gegenseitig ausschließen oder nicht miteinander addiert werden können;	6,0 %
$F(3)$ ist ein Korrekturfaktor in %, der dem positiven Beitrag zum Raumheizungs-Jahresnutzungsgrad Rechnung trägt, der auf die angepassten Beiträge raumtemperaturgeführter Regelungen zurückgeht, deren Werte miteinander addiert werden können;	0,0 %
$F(4)$ ist ein Korrekturfaktor in %, der dem negativen Beitrag des Hilfsstromverbrauchs zum Raumheizungs- Jahresnutzungsgrad Rechnung trägt;	0,0 %
$F(5)$ ist ein Korrekturfaktor in %, der dem negativen Beitrag des Energieverbrauchs einer Pilotflamme zum Raumheizungs-Jahresnutzungsgrad Rechnung trägt.	0,0 %
Raumheizungs-Jahresnutzungsgrad $\eta_S$	36 %
Entscheid	p

Deutsch

## SVERIGE

---

Kundtjänst	tel: 0247/445 00 fax: 0247/445 09 e-post: kundservice@clasohlson.se
Internet	<a href="http://www.clasohlson.se">www.clasohlson.se</a>
Post	Clas Ohlson AB, 793 85 INSJÖN

## NORGE

---

Kundesenter	tlf.: 23 21 40 00 faks: 23 21 40 80 e-post: kundesenter@clasohlson.no
Internett	<a href="http://www.clasohlson.no">www.clasohlson.no</a>
Post	Clas Ohlson AS, Postboks 485 Sentrum, 0105 OSLO

## SUOMI

---

Asiakaspalvelu	puh.: 020 111 2222 sähköposti: asiakaspalvelu@clasohlson.fi
Internet	<a href="http://www.clasohlson.fi">www.clasohlson.fi</a>
Osoite	Clas Ohlson Oy, Kaivokatu 10 B, 00100 HELSINKI

## GREAT BRITAIN

---

Customer Service	contact number: 020 8247 9300 e-mail: customerservice@clasohlson.co.uk
Internet	<a href="http://www.clasohlson.co.uk">www.clasohlson.co.uk</a>
Postal	10 - 13 Market Place Kingston upon Thames Surrey KT1 1JZ

## DEUTSCHLAND

---

Kundenservice	Hotline: 040 2999 7811 E-Mail: kundenservice@clasohlson.de
Homepage	<a href="http://www.clasohlson.de">www.clasohlson.de</a>
Postanschrift	Clas Ohlson GmbH, Jungfernstieg 38, 20354 Hamburg

# clas ohlson