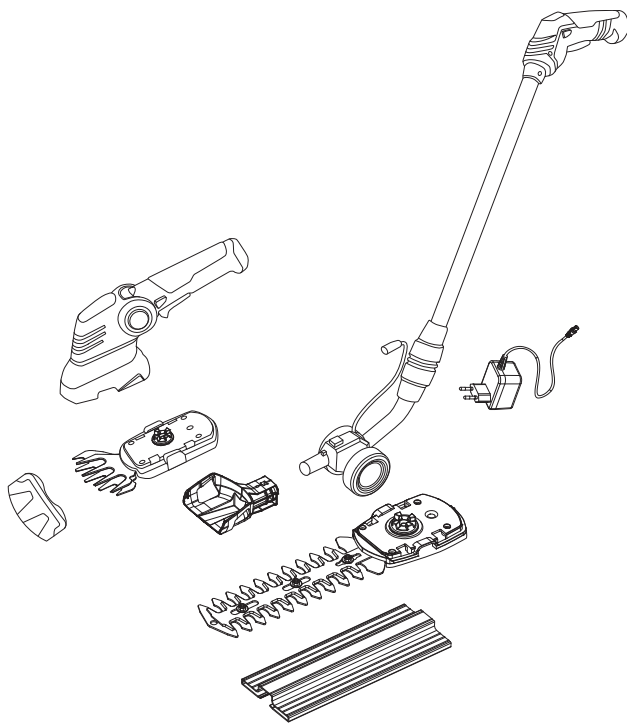


Shrub and Grass Shears

Multitrimmer
Multitrimmeri



Art.no

18-4806

31-8764

Model

M1E-7.2LD-170M/G-1

M1E-7.2LD-170M/G-1

Ver. 20181130

clas ohlson

English

Svenska

Norsk

Suomi

Deutsch


Shrub and Grass Shears

Art.no 18-4806 Model M1E-7.2LD-170M/G-1
31-8764 M1E-7.2LD-170M/G-1

Please read the entire instruction manual before using the product and then save it for future reference. We reserve the right for any errors in text or images and any necessary changes made to technical data. In the event of technical problems or other queries, please contact our Customer Services (see address details on the back).

Safety

General safety instructions for power tools

 **Warning:** Read all the instructions. Failure to comply with the following instructions can lead to electric shocks, fires or serious injury.

SAVE THESE INSTRUCTIONS.

The term “power tool” in the following text refers to your handheld mains operated or battery operated tool.

1) *Work area*

- a) **Keep the work area clean and well illuminated.** Cluttered and poorly lit areas invite accidents.
- b) **Do not use power tools in explosive environments, e.g. near to flammable liquids, gases or dust.** Power tools generate sparks that can easily ignite dust and fumes.
- c) **Keep children and bystanders away from the area where you are using the power tool.** Distractions can cause you to lose concentration and control of the tool.

2) *Electrical safety*

- a) **The plug of the power tool must fit correctly into the wall socket. Never modify the plug in any way. Never use an adaptor plug together with earthed power tools.** There is less risk of receiving an electric shock if plugs and sockets which have not been modified are used.
- b) **Avoid physical contact with earthed objects such as pipes, radiators, ovens and refrigerators.** There is an increased risk of receiving an electric shock if your body is earthed.
- c) **Do not expose the power tool to rain or other wet conditions.** Water entering a power tool will increase the risk of electric shock.
- d) **Do not abuse the mains lead. Never use the lead to carry or drag the power tool or to jerk the plug from a wall socket. Keep the lead away from heat, oil, sharp edges and moving parts.** Damaged or tangled leads increase the risk of electric shock.
- e) **When using power tools outdoors, use an extension lead that is suitable for this purpose.** The use of an extension lead designed for outdoor use decreases the risk of electric shocks.
- f) **If the use of the power tool in a wet environment is unavoidable, a wall socket equipped with a portable residual current device (RCD) should be used.** Use of an RCD significantly reduces the risk of electric shock.

3) *Personal safety*

- a) **Pay attention to what you are doing and use common sense when using power tools. Never use power tools if you are tired or under the influence of drugs, alcohol or medication.** One moment of inattention while using a power tool may result in serious injury.
- b) **Wear protective clothing. Always wear safety glasses.** Using protective clothing such as dust masks, non-slip safety shoes, helmets and ear defenders reduces the risk of injury.
- c) **Avoid accidental starts. Make sure that the power switch is set to OFF before plugging the power tool into a wall socket, fitting the battery or picking up/carrying the power tool.** Never carry a power tool with your finger on the trigger and never connect the power tool to a wall socket when the switch is set to ON, since it may result in injury.
- d) **Remove all service tools/keys before switching on the power tool.** A service tool left on a rotating part of the power tool may result in personal injury.
- e) **Do not overreach. Keep proper footing and balance at all times.** This enables better control of the power tool in unexpected situations.
- f) **Wear suitable clothing. Do not wear loose-fitting clothing or jewellery. Keep hair, clothes and gloves away from moving parts.** Loose-fitting clothes, jewellery or long hair could become caught in moving parts.
- g) **If equipment for the extraction and collection of dust is available, make sure it is connected and used properly.** The use of such equipment can significantly reduce dust-related hazards.

4) *Use and maintenance of the power tool*

- a) **Do not force the power tool. Use the correct power tool for your application.**
The correct power tool will do the job better and safer if used at the rate for which it was designed.
- b) **Never use the power tool if the power switch does not switch the tool on and off.**
Any power tool that cannot be controlled by the power switch is dangerous and must be repaired.
- c) **Unplug the lead from the wall socket before making any adjustments, changing accessories or storing the power tool.** These precautions reduce the risk of the power tool starting unexpectedly.
- d) **Store power tools that are not being used out of children's reach. Do not allow people who are unfamiliar with the tool or its functions to operate it.** Power tools can be dangerous if they fall into the hands of inexperienced users.
- e) **Maintain power tools. Check for misalignment or binding of moving parts, broken parts or anything else which might affect the operation of the power tool. If something is damaged, have the power tool repaired before use.** Many accidents are caused by poorly maintained power tools.
- f) **Keep cutting tools sharp and clean.** Properly maintained cutting tools with sharp cutting edges are less likely to bind and are easier to control.
- g) **Use the power tool and any accessories in accordance with these instructions, taking into account the working conditions and the work to be performed.** Using the power tool for a purpose other than that for which it is intended could result in a dangerous situation.

5) *Use and maintenance of cordless power tools*

- a) Charge the battery using a charger recommended by the manufacturer.
- b) The tool is supplied with a battery provided by the manufacturer. Do not use any other battery.
- c) If handled incorrectly, battery fluid can leak from the battery. If this fluid should come into contact with skin; rinse the area thoroughly with water. Always contact a doctor if this fluid comes into contact with your eyes.

6) *Service*

- a) Repairs and service should only be performed by qualified tradesmen, and only with original spare parts. This guarantees that the safety of the power tool is maintained.

Specific safety instructions for electric grass shears

- The grass shears must not be used by children and by persons with reduced physical, sensory or mental capability or lack of experience and knowledge which could jeopardise their safety. This product should not be used by anyone that has not read the instruction manual unless they have been instructed in its use by someone who will take responsibility for their safety.
- Read through the manual and familiarise yourself with the controls for the correct operation of the grass shears.
- Never use the grass shears very close to anyone, especially children or animals.
- Make sure that you know how to switch the grass shears off.
- Familiarise yourself with your surroundings and be prepared for any dangers should they arise.
- Always inspect the grass shears before use. The cutter should be repaired if it has struck a foreign object and there are signs of wear or damage.
- Only use the grass shears when there is sufficient daylight or artificial light for good vision.
- Keep hands and feet away out of the cutting zone.
- Make sure to always stand in a safe position when using the grass shears.
- The grass shears must not be left unattended where children can access them, they have a built-in battery which enables them to be switched on if both buttons are pressed in.
- The grass shears have a built-in battery, think carefully about how to hold the shears safely when cleaning them, inspecting them or removing clogged material from the blades.
- Switch the grass shears off immediately if the cutter has come into contact with a foreign object or if the shears begin to vibrate abnormally.
- Consider the damage the blades could do to your hands and feet if they were to come into contact.
- Always ensure that the ventilation openings are kept clear from debris.

Specific safety instructions for hedge trimmers

- The hedge trimmer must not be used by children or by persons with reduced physical, sensory or mental capability or lack of experience and knowledge which could jeopardise their safety.
- Keep all parts of your body away from the cutting blades. Do not remove cut material or hold material to be cut when the blades are moving.
- One moment of carelessness can result in serious personal injury.
- Never allow children to play with the product.
- Turn off the hedge trimmer and carry it by the handle when moving it short distances. Always have the blade guard in place when storing or transporting the hedge trimmer. Correct use of the hedge trimmer will reduce the likelihood of personal injury caused by the cutting blades.
- Make sure that there are no foreign objects like fencing wire, etc. in the hedge/bush that you wish to trim.
- The blades will continue to move for a few seconds after the power has been turned off.
- **Note:** Do not touch the cutting blades while they are moving.
- Always switch off the hedge trimmer and have the blade guard mounted in place whenever moving or transporting it.

General safety instructions for batteries and chargers

- a) Prevent unintentional starting of the shrub and grass shears by handling it carefully. Make sure that the safety lock button and the power switch are not both pressed in whilst carrying it.
 - b) Only use the included battery charger or a charger recommended by the manufacturer. The battery charger is only designed to charge certain types of batteries. If a charger designed for another type of battery is used the risk for fire or explosion is significantly increased.
 - c) Battery fluid can leak from the battery if it is damaged. Avoid physical contact with this fluid. If this fluid comes into contact with skin; rinse the area thoroughly with water. If the fluid contacts eyes, seek medical attention immediately. Fluid which has leaked from a battery pack can cause skin irritation or burns.
- Never store a battery in direct sunlight or at temperatures above 40 °C.
 - Only charge the battery when the ambient temperature is between 10 °C and 40 °C.
 - Never expose the battery or its charger to water.
 - Keep the charger and batteries out of the reach of children.
 - Never use the battery charger or batteries in environments where flammable liquids or gases are stored.
 - Always transport batteries in a safe manner ensuring that they do not come into contact with each other and never in a metal container.
 - Check that the battery charger and mains lead are intact and undamaged before use.
 - Charge the battery completely if it is not to be used for an extended period.
 - The battery must only be charged with a charger that conforms to EN60335-2-29 standards.

Key to the safety symbols on the shrub and grass shears



Read the entire instruction manual before using the shrub and grass shears.



The operational noise level conforms to EC Directive 97/98EC and 2004/26EC, Annex IV



The shrub and grass shears must not be exposed to rain or wet conditions.



Wear eye and hearing protection.



Warning: The cutting blades will continue to move for a short while after the motor has been switched off.



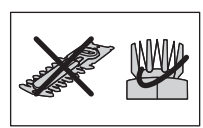
Warning: The shear's blades are sharp. Wear protective gloves.



Operation of the shears can result in the ejection of foreign objects which could cause personal injury or material damage. Wear suitable clothing and shoes.



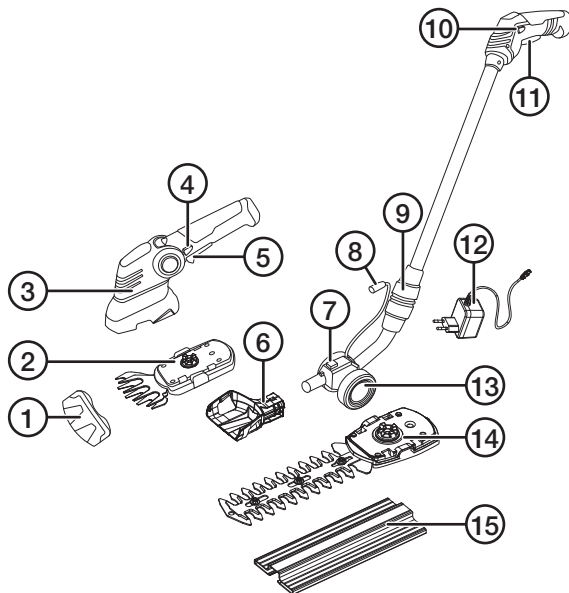
The product contains Lithium-ion batteries and shall be deposited at an appropriate recycling facility so that the material can be disposed of in a responsible manner. Contact your local waste management facility or the place of purchase.



The shrub shears must not be used together with the telescopic handle.

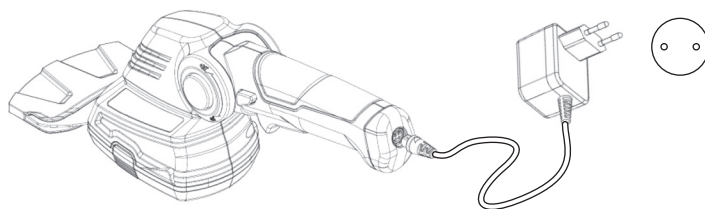
Product description


1. Grass shear blade guard
2. Grass shears
3. Motor unit
4. Safety lock button
5. Power trigger
6. Shoe
7. Release button
8. Power cable (transfers control to the telescopic handle).
9. Telescopic handle
10. Handle safety lock button
11. Handle power trigger
12. Charger
13. Wheels
14. Shrub shears
15. Shrub shear blade guard



Installation/Getting started/Assembly

Charging the battery

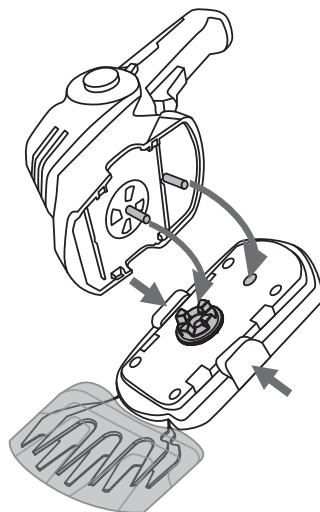


 The power cable is fitted with a 4-pin DIN connector. Make sure to connect it in accordance with the markings to avoid damaging the pins.

- Connect the included charger to the shears and then to a wall socket.
- An indicator light will come on after a while to show that charging is in progress.
- The charging indicator will extinguish when the battery is fully charged (approx. 3–5 hours).
- The battery might get hot while it is being charged. This is normal.
- Never let the battery discharge completely. Recharge the battery regularly and whenever the shears begin to lose power.

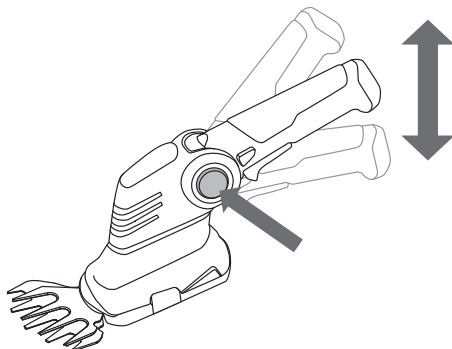
Assembly

1. Make sure that the guide pin is directly over the guide hole in the shears and that the drive gears are aligned.
2. Make sure that no grass or debris becomes caught between the motor unit and the shears.
3. Carefully push the motor unit and shears together until a click is heard.
4. Press in the catches on the sides of the shears to release.



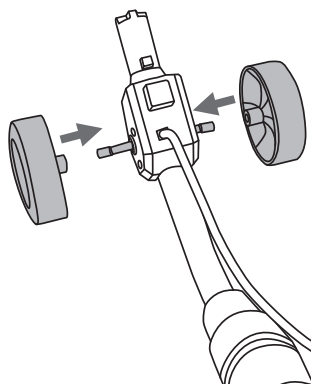
Adjusting the angle of the handle

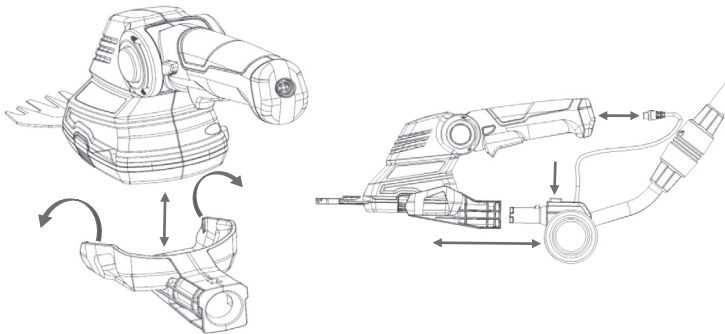
Press in the pivot button and adjust the angle of grip to the desired position. There are three set positions.



Telescopic handle

Insert the wheel axle into the hole at the bottom of the handle and fit a wheel onto each end.





1. Slide the motor unit into the shoe until it clicks into place.
2. Carefully push the motor unit and shoe assembly onto the end of the telescopic handle until a click is heard. Connect the power cable to transfer control from the shears to the telescopic handle.
3. Pressing in the release button on the wheel carriage will release the shears from the telescopic handle.

Instructions for use

Warning:

- Always keep the work area tidy so you can move freely without the risk of tripping over obstacles.
- Make sure that there are no foreign objects or loose branches which could become caught in the blades of the shears.
- Make sure that you are wearing all required safety gear before starting.
- Make sure that all parts of the shears are intact, accounted for and undamaged.
- Make sure that the blades are sharp and lubricated.
- Make sure that the safety lock button (4) and power trigger (5) are easily depressed and do not stick or function abnormally in any way.
- Ensure that the handle is clean and easily gripped.

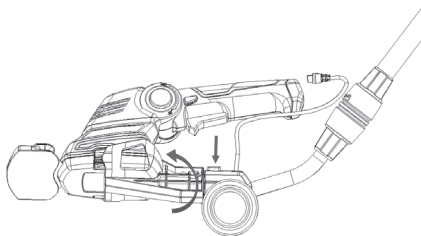
Take the following points into consideration when using the shears

- Make sure that there are no hidden obstacles (metal poles/wire fences) in the area to be trimmed.
- Max branch diam: 8 mm.
- Hold the shears firmly; maintain a steady stance and do not lean out too far. Be extra careful when using a ladder.
- Move the shears along in a slow and steady motion.
- The double-sided blade enables cutting in both directions or in a pendulum action from side to side.
- For even trimming on the sides it is better to cut in the direction of growth, from the bottom up.

- If you trim from the top down, the thinner twigs will bend out and there is a risk of holes or thin patches appearing in your hedge.
- In order to ensure a straight top edge, you can stretch a length of string over the hedge as a guide.

Switching on and off

1. Remove the guard covering the blades of the shears.
2. Hold in the safety lock button and then pull the power trigger. The shrub shears/grass shears should now start.
3. The shrub shears/grass shears will stop automatically when the power trigger is released.
4. By pressing in the release button on the wheel carriage, the motor unit can be tilted to the left or right. Make sure that the shoe clicks into a fixed setting once it has been tilted.

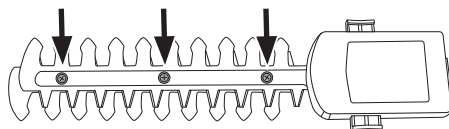


Care and maintenance



Warning:

- Wear protective gloves when handling or cleaning the blades.
- Regularly check that the on/off switch and safety lock are undamaged and work correctly.
- Check regularly and lubricate the blades with appropriate lubricant and make sure that the screws in the cutter bar are tight.



- Lubricate the blades with an appropriate lubricant if the tool is not to be used for a long time.
- Clean the exterior of the motor housing using a damp cloth. Use only mild cleaning agents, never solvents or corrosive chemicals.
- Remove all dirt, especially from around the motor ventilation slits.
- Whenever the tool is not to be used for a long time, it should be stored in a dry, dust-free environment, out of children's reach.
- Do not store the battery in temperatures below zero.
- Always keep the sheath on the grass shears and shrub shears cutter bar when the tool is not in use.

Troubleshooting guide

The shrub/grass shears won't start.	The battery is discharged and needs charging.
The shrub/grass shears are sluggish and/or cut out.	The blades are blunt or damaged. Check the blades and replace if necessary.
Poor battery operating time.	The battery is not fully charged. A few charging cycles where the battery is charged 100% might be needed before it reaches full capacity.
The battery does not charge.	<ul style="list-style-type: none"> • The contact pins of the charger are dirty. • Disconnect the charger from the power supply and clean the contacts. • The charger is not properly plugged into the wall socket. • Is the wall socket energised? • The charger or power cord is damaged.

Responsible disposal

This symbol indicates that this product should not be disposed of with general household waste. This applies throughout the entire EU. In order to prevent any harm to the environment or health hazards caused by incorrect waste disposal, the product must be handed in for recycling so that the material can be disposed of in a responsible manner. When recycling your product, take it to your local collection facility or contact the place of purchase. They will ensure that the product is disposed of in an environmentally sound manner.



Specifications

Shrub and Grass Shears

No-load speed 1300 min⁻¹

Cutter head

Shrub shears 170 mm width

Branch cutting capacity 8 mm

Grass shears 90 mm width

Weight

Machine 461 g

Shrub shears 276 g

Grass shears 227 g

Handle 400 g

Noise and vibration data

Noise level	LpA = 66 dB(A), Uncertainty KpA = 3 dB(A) LwA = 86 dB(A), Uncertainty KwA = 3 dB(A)
Vibration	$a_{HV} = 3.4 \text{ m/s}^2$, $K = 1.5 \text{ m/s}^2$

Battery DC 7.2 V Li-ion

Capacity	1.3 Ah
Charging time	3–5 hours
Operating time	40 min

Battery charger

Rated voltage	100–240 V
Output voltage	9 V DC
Output current	400 mA
Insulation class	III

- The measurement of the vibration emission level (triaxial vector sum) and the noise level values declared in this instruction manual have been carried out in accordance with a standardised test method described in EN 60745 and can be used for comparing one power tool with another.
- The measurement method may also be used for a preliminary assessment of vibration exposure.
- The declared vibration emission level applies when the power tool is used in accordance with this instruction manual. If however, the power tool is used for other purposes and with other accessories or has not been properly maintained, the vibration value could rise significantly during use.
- For an exact assessment of the vibration exposure, the times when the tool is switched off or running idle should also be taken into account. This significantly reduces the vibration exposure over the total working period. Decide upon safety measures to protect the operator from the effects of vibration during all types of use.



Warning:

- The above values apply to new products. In daily use the noise emission and oscillation values will alter.
- Always wear ear protection if the sound pressure level exceeds 85 dB (A).

Multitrimmer

Art.nr 18-4806 Modell M1E-7.2LD-170M/G-1
31-8764 M1E-7.2LD-170M/G-1

Läs igenom hela bruksanvisningen före användning och spara den sedan för framtida bruk. Vi reserverar oss för ev. text- och bildfel samt ändringar av tekniska data. Vid tekniska problem eller andra frågor, kontakta vår kundtjänst (se adressuppgifter på baksidan).

Säkerhet

Generella säkerhetsinstruktioner för elektriska handverktyg

 **Varning!** Läs alla instruktioner. Om nedanstående instruktioner inte följs kan detta leda till elektrisk stöt, brand eller allvarlig skada.

SPARA DESSA INSTRUKTIONER.

Termen "elektriskt handverktyg" i varningstexten nedan refererar till ditt nätanslutna eller batteridrivna handverktyg.

1) Arbetsutrymmet

- a) **Håll arbetsutrymmet rent och väl upplyst.** Belamrade och mörka utrymmen inbjuder till olyckor.
- b) **Använd inte elektriska handverktyg i explosiva miljöer, som i närheten av lättantändliga vätskor, gaser eller damm.** Elektriska handverktyg genererar gnistor som kan antända damm och ångor.
- c) **Håll undan barn och åskådare medan du använder det elektriska handverktyget.** Störningsmoment kan göra att du tappar kontrollen över verktyget.

2) Elektrisk säkerhet

- a) **Det elektriska handverktygets stickpropp måste passa i vägguttaget. Modifiera aldrig stickproppen på något vis. Använd aldrig adapter tillsammans med jordade elektriska handverktyg.** Stickproppar som inte är modifierade och passande vägguttag minskar risken för elektrisk stöt.
- b) **Undvik kroppskontakt med jordade föremål, t.ex. rör, element, köksspis och kylskåp.** Det innebär ökad risk för elektrisk stöt om din kropp är jordad.
- c) **Utsätt inte det elektriska handverktyget för regn eller våta förhållanden.** Om vatten tränger in i ett elektriskt handverktyg ökar det risken för elektrisk stöt.
- d) **Misshandla inte nätsladden. Använd aldrig nätsladden för att bära eller dra det elektriska handverktyget eller rycka stickproppen ur vägguttaget. Håll undan nätsladden från värme, olja, vassa kanter och rörliga delar.** Skadade eller trassliga nätsladdar ökar risken för elektrisk stöt.
- e) **När du använder ett elektriskt handverktyg utomhus, använd en skarvsladd anpassad för detta ändamål.** Användning av en skarvsladd för utomhusbruk minskar risken för elektrisk stöt.
- f) **Om det inte går att undvika att det elektriska handverktyget används i fuktig miljö, använd ett vägguttag utrustat med jordfelsbrytare.** Användning av jordfelsbrytare minskar risken för elektrisk stöt.

3) Personlig säkerhet

- a) **Var uppmärksam på vad du gör och använd sunt förnuft när du använder ett elektriskt handverktyg. Använd inte ett elektriskt handverktyg om du är trött eller påverkad av droger, alkohol eller medicinering.** Ett ögonblicks ouppmärksamhet när du använder ett elektriskt handverktyg kan resultera i allvarlig personskada.
- b) **Använd skyddsutrustning. Bär alltid skyddsglasögon.** Att vid behov använda skyddsutrustning, t.ex. andningsskydd, halksäkra skyddsskor, hjälm och hörselskydd, minskar risken för personskada.
- c) **Undvik oavsiktlig start. Se till att strömbrytaren är i läge OFF innan du ansluter stickproppen till vägguttaget, ansluter batteriet eller lyfter upp/bär det elektriska handverktyget.** Att bära ett elektriskt handverktyg med ett finger på strömbrytaren/avtryckaren eller att ansluta ett elektriskt handverktyg till elnätet när strömbrytaren är i läge ON inbjuder till olyckor.
- d) **Ta bort alla serviceverktyg/nycklar innan du slår på det elektriska handverktyget.** Ett kvarglömt serviceverktyg på en roterande del av det elektriska handverktyget kan resultera i personskada.
- e) **Sträck dig inte för långt. Se till att du står stadigt med god balans hela tiden.** Detta möjliggör bättre kontroll över det elektriska handverktyget i oväntade situationer.
- f) **Bär lämplig klädsel. Bär inte löst sittande kläder eller smycken. Håll undan hår, kläder och handskar från rörliga delar.** Lösa kläder, smycken och långt hår kan fastna i rörliga delar.
- g) **Om utrustning för utsugning och uppsamling av damm finns tillgänglig, se till att denna är ansluten och används på ett korrekt sätt.** Användning av dessa hjälpmedel kan minska faror som är relaterade till damm.

4) Användning och underhåll av det elektriska handverktyget

- a) **Pressa inte det elektriska handverktyget. Använd ett elektriskt handverktyg som är avsett för det arbetsmoment du utför.** Korrekt elektriskt handverktyg gör jobbet bättre och säkrare med avsedd matningshastighet.
- b) **Använd inte det elektriska handverktyget om strömbrytaren inte slår på och stänger av verktyget.** Alla elektriska handverktyg som inte kan kontrolleras med strömbrytaren är farliga och måste repareras.
- c) **Ta stickproppen ur vägguttaget innan du utför några justeringar, byter tillbehör eller lägger undan det elektriska handverktyget för förvaring.** Dessa förebyggande skyddsåtgärder minskar risken för att starta det elektriska handverktyget oavsiktligt.
- d) **Förvara elektriska handverktyg som inte används utom räckhåll för barn och låt inte personer som inte är förtrogna med det elektriska handverktyget eller dessa instruktioner använda det.** Elektriska handverktyg är farliga om de kommer i händerna på ovana användare.
- e) **Underhåll elektriska handverktyg. Kontrollera om något är felinställt, om rörliga delar kärvar, om delar har gått sönder eller om något annat har inträffat som kan påverka funktionen hos det elektriska handverktyget. Om något är skadat måste det repareras före användning.** Många olyckor beror på dåligt underhållna elektriska handverktyg.
- f) **Håll skärverktyg vassa och rena.** Ordentligt underhållna skärverktyg med vassa egg är mindre benägna att kärva och lättare att kontrollera.
- g) **Använd det elektriska handverktyget, tillbehör etc. enligt dessa instruktioner, ta hänsyn till arbetsförhållanden och till det arbete som ska utföras.** Användning av det elektriska handverktyget för andra arbeten än vad det är ämnat för kan resultera i en farlig situation.

5) Användning och hantering av sladdlösa elektriska handverktyg

- a) Ladda bara batteriet i en av tillverkaren rekommenderad laddare.
- b) Verktyget har försetts med batteri från tillverkaren. Använd inget annat batteri.
- c) Batteriet kan läcka batterivätska om det hanteras på ett felaktigt sätt. Skölj med rikligt med vatten om vätskan kommer i kontakt med huden. Om vätskan kommer i kontakt med ögonen, uppsök läkare.

6) Service

- a) Låt behörig personal utföra service och reparationer, och endast med originalreservdelar. Detta garanterar att säkerheten hos det elektriska handverktyget behålls.

Särskilda säkerhetsföreskrifter för grässaxar

- Grässaxen får inte användas av barn och av personer med någon form av funktionsnedsättning, brist på erfarenhet eller kunskap som skulle kunna äventyra säkerheten. Den får inte heller användas av personer utan tillräcklig erfarenhet och kunskap ifall de inte har fått instruktioner om användningen av någon som ansvarar för deras säkerhet.
- Läs noggrant igenom manualen och lär känna användningssättet av knapparna och den korrekta användningen av grässaxen.
- Låt inte barn eller vuxna, som inte har studerat manualen, använda grässaxen.
- Använd aldrig grässaxen när personer, speciellt barn och husdjur, befinner sig i närheten.
- Säkerställ att du vet hur grässaxen kan stoppas/stängas av.
- Se till att göra dig bekant med omgivningen och förberedda dig på eventuella faror.
- Kontrollera alltid grässaxen före användning. Reparera skärverktyget om det slagit i ett främmande föremål och det finns tecken på slitage eller skador.
- Använd grässaxen endast vid dagsljus eller tillräckligt med konstgjord belysning.
- Håll händer och fötter utanför klippområdet.
- Se till att alltid stå i en säker position när du använder grässaxen.
- Grässaxen får inte lämnas oövervakad så att barn kan komma åt den, den har inbyggt batteri och kan därmed startas om båda knapparna trycks in.
- Grässaxen har inbyggt batteri, tänk efter hur du håller händerna på ett säkert sätt före rengöring, kontroll och övrigt underhåll eller när blockerande material tas bort.
- Stäng av grässaxen direkt efter det att skärverktyget har kommit i kontakt med främmande föremål eller så snart grässaxen börjar vibrera onormalt.
- Tänk på skaderisken för händer och fötter vid kontakt med skärverktygets knivar.
- Säkerställ alltid att ventilationsöppningar är fria från föroreningar och främmande föremål.

Särskilda säkerhetsföreskrifter för häcksaxar

- Häcksaxen får inte användas av barn eller av personer med någon form av funktionsnedsättning, brist på erfarenhet eller kunskap som skulle kunna äventyra säkerheten.
- Håll undan alla kroppsdelar från häcksaxens svärd. Rensa inte bort klippt material och håll inte i material som ska klippas när svärdets knivar är i rörelse.
- Ett ögonblicks ovarsamhet vid användning kan resultera i allvarliga skador.
- Låt aldrig barn leka med häcksaxen.
- Stäng av häcksaxen och bär den i handtaget vid kortare förflyttning. Vid transport eller förvaring av häcksaxen ska alltid svärdsskyddet monteras. Korrekt användning av häcksaxen reducerar risken för personskador orsakade av svärdets knivar.
- Kontrollera före användning att det inte finns några främmande föremål som t.ex. trådstängsel i häcken/busarna du ska klippa.
- Efter att du stängt av häcksaxen fortsätter svärdets knivar att röra sig någon sekund.
- **Obs!** Rör inte svärdets knivar när de är i rörelse.
- Vid förflyttning och transport av häcksaxen ska den vara avstängd och ha svärdsskyddet monterat.

Säkerhetsinstruktioner för batterier och laddare

- Var uppmärksam när du hanterar multitrimmern så att den inte startar oavsiktligt. Försäkra dig om att inte startspärren och startreglaget är intryckta när den hanteras.
 - Använd endast medföljande batteriladdare eller laddare rekommenderad av tillverkaren. Batteriladdare är konstruerade för att ladda en viss typ av batterier. Om laddare avsedd för annan typ av batterier används finns risk för brand eller explosion.
 - Vätska kan läcka från batteriet om det är skadat. Undvik all kontakt med vätskan. Skölj med rikligt med vatten om du oavsiktligt kommer i kontakt med vätskan. Om du får vätska i ögonen, ta omedelbart kontakt med läkare. Vätska som läcker från batterier kan orsaka hudirritation eller brännskador.
- Förvara aldrig batteriet i direkt solljus eller vid temperaturer över 40 °C.
 - Ladda endast batteriet i temperaturer mellan 10 och 40 °C.
 - Utsätt aldrig batteriet eller laddaren för vatten.
 - Håll laddare och batterier utom räckhåll för barn.
 - Använd aldrig batteriladdaren eller batterier i miljöer där lättantändliga gaser eller ämnen förvaras eller används.
 - Transportera batterier på sådant sätt att de inte kommer i kontakt med varandra och aldrig i metallbehållare.
 - Kontrollera att batteriladdaren och nätkabeln är hela och oskadade innan de används.
 - Ladda upp batteriet helt om det inte ska användas under en längre period.
 - Batteriet kan endast laddas med batteriladdare som överensstämmer med standard EN60335-2-29.

Förklaring av säkerhetssymbolerna på multitrimmern



Läs hela bruksanvisningen innan du börjar använda multitrimmern.



Ljudnivån vid användning överensstämmer med EC Directive 97/98EC med tillägg av 2004/26EC, Annex IV



Multitrimmern får inte utsättas för regn eller andra fuktiga förhållanden.



Använd skyddsglasögon och hörselskydd.



Varning! Multitrimmerns skärverktyg fortsätter att röra sig en kort stund efter det att motorn har stängts av.



Varning! Multitrimmerns skärverktyg är vassa. Använd skyddshandskar.

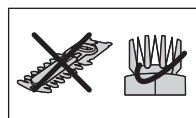


Föremål som kastas ut från grästrimmern kan studsas och orsaka personskada och skada på egendom. Använd lämplig klädsel och skor.



Li-Ion

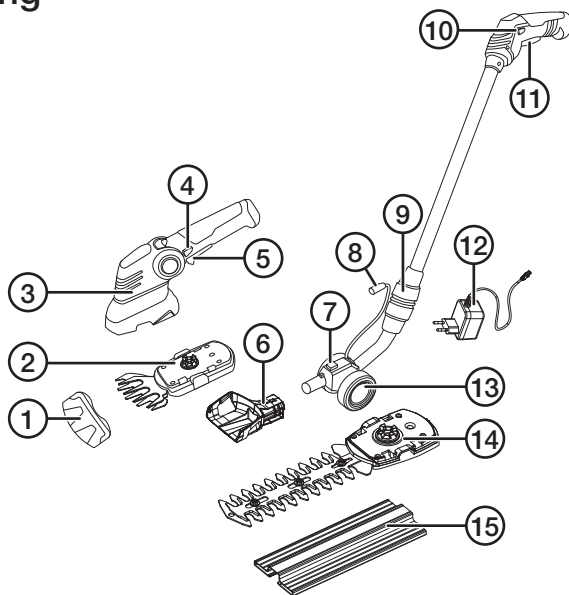
Produkten består av Lithium-ion-batterier och ska lämnas till återvinning så att materialet kan tas omhand på ett ansvarsfullt sätt, använd dig av de returhanteringssystem som finns där du befinner dig eller kontakta inköpsstället.



Häcksaxen får inte användas tillsammans med teleskopskaftet.

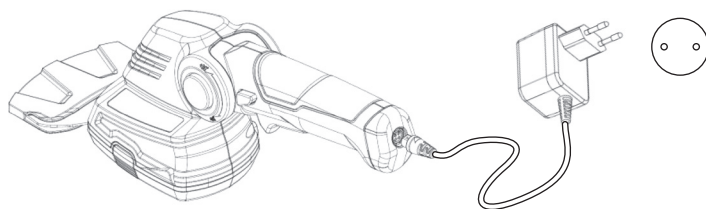
Produktbeskrivning

1. Skydd till grässax
2. Grässax
3. Motordel
4. Startspärr
5. Strömbrytare
6. Hållare
7. Spärr
8. Strömkabel (styrning till teleskopskaft)
9. Teleskopskaft
10. Startspärr, skaft
11. Strömbrytare, skaft
12. Laddare
13. Hjul
14. Häcksax
15. Skydd till häcksax



Installation/Att komma igång/Montering

Ladda batteriet

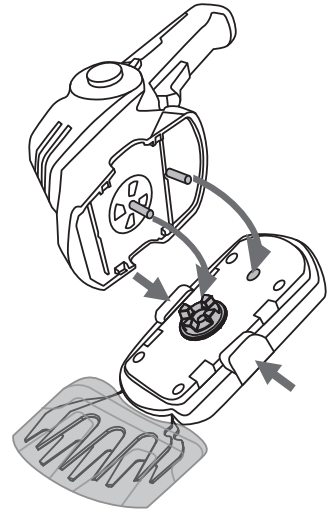


△ På strömkabeln sitter en 4 polig DIN kontakt, se till att kontakten ansluts rätt enligt markering och att stiften inte skadas.

- Anslut den medföljande laddaren till trimmern och sedan till ett vägguttag.
- En laddindikator tänds efter ett tag och visar att laddningen påbörjats.
- Laddindikatorn släcks när batteriet är fulladdat (ca 3–5 tim).
- Batteriet kan bli varmt under laddning, detta är helt normalt.
- Låt aldrig batteriet ladda ur helt, se till att ladda batteriet med jämna mellanrum och när trimmern börjar kännas slö.

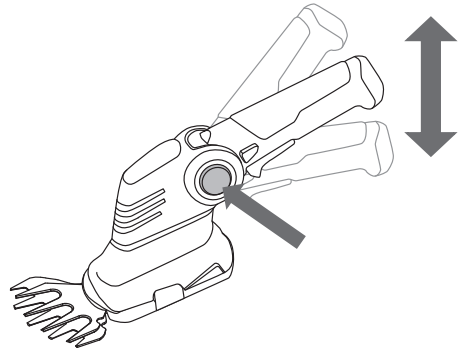
Montering

1. Se till att styrpinnarna ligger rakt ovanför styrhålen på saxen och att kugghjulen går mot varandra.
2. Kontrollera att inte gräs eller andra föroreningar hamnar mellan motordelen och grässaxen/häcksaxen.
3. Tryck försiktigt ihop motordelen med grässaxen/häcksaxen tills du hör ett klick.
4. Tryck in spärrarna på sidan av grässaxen/häcksaxen för att lossa.



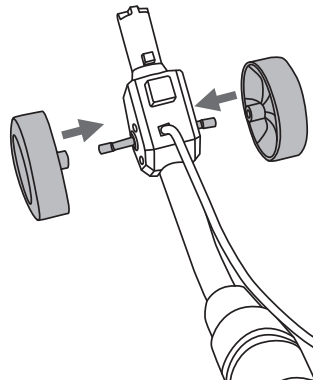
Justera handtagets vinkel

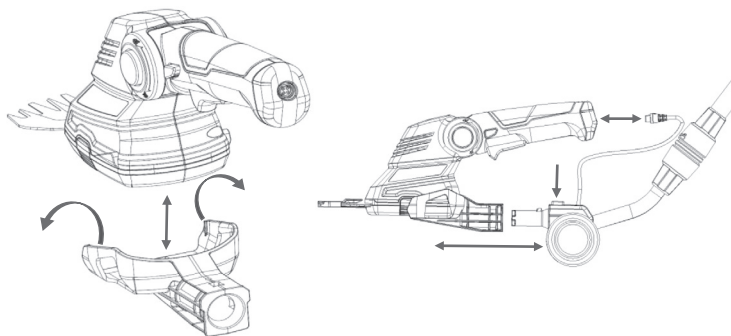
Tryck in rotationsknappen och justera handtaget till önskat läge, det finns 3 lägen att välja på.



Teleskopskaft

För in hjulaxeln genom hålet längst ned på skaftet, tryck sedan fast hjulen på axeln.





1. Fäst hållaren på motordelen, skjut in den tills den klickar fast.
2. Tryck samman motordelen med teleskopskaftet tills det hörs ett klick. Anslut sedan strömkabeln för att få kontakt med teleskopskaftets strömbrytare.
3. Tryck in spärren längst ned på teleskopskaftet för att lossa trimmern från skaftet.

Användning

Varning!

- Røj alltid upp i arbetsområdet så att du kan röra dig fritt och inte riskerar att fastna eller snubbla över något.
- Kontrollera att inga främmande föremål, löst hängande eller avbrutna grenar kan fastna i häcksaxen/grässaxen.
- Se till att du bär nödvändig skyddsutrustning.
- Försäkra dig om att häcksaxen/grässaxen är hel och att inga delar fattas eller på något sätt är skadade.
- Kontrollera att svärdets/skärverktygets knivar är vassa och smorda.
- Spärren för strömbrytaren (4) och strömbrytaren (5) ska gå lätt och inte fastna eller på annat sätt fungera onormalt.
- Se till att handtagen är rena och ger bra grepp.

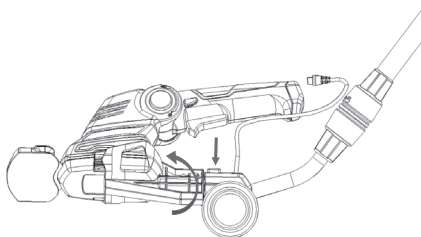
Att tänka på när du använder häcksaxen

- Kontrollera att inga främmande föremål (metalltrådar/stolpar) finns osynliga inne i området som ska klippas.
- Max grentjocklek \varnothing 8 mm.
- Håll häcksaxen ordentligt och stå stadigt, luta dig inte för långt. Var extra försiktig om du använder stege.
- För häcksaxen framåt, sakta och stadigt i den tänkta klipplinjen.
- Med det dubbelsidiga svärdet kan klippning ske i båda riktningarna eller med pendlande rörelser från sida till sida.

- För jämn klippning på sidorna är det bäst att klippa i tillväxtriktning nerifrån och upp.
- När klippning sker uppifrån och ner böjer sig de tunnare kvistarna utåt varvid risk finns för att tunna ställen eller hål uppstår i häcken.
- För att få en jämn övre kant kan du spänna upp snören över häcken som riktmärke.

Start och stopp

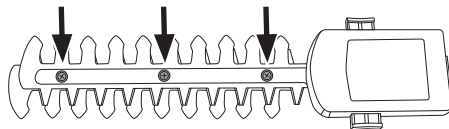
1. Ta bort skyddet från skärverktyget.
2. Tryck in startspärren och tryck sedan in strömbrytaren. Häcksaxen/ grässaxen startar.
3. Häcksaxen/grässaxen slås av genom att du släpper strömbrytaren.
4. Genom att trycka in spärren längst ned på skaftet kan motordelen vridas åt vänster eller höger. Se till att trimmern klickar fast efter att du vridit den till önskat läge.



Skötsel och underhåll

⚠ Varning!

- Använd skyddshandskar vid hantering och rengöring av svärd och skärverktyg.
- Kontrollera regelbundet att säkerhetsspärren för strömbrytaren och strömbrytaren är oskadade och fungerar på rätt sätt.
- Kontrollera och olja in svärdet och skärverktyget med lämplig olja regelbundet och se till att skruvarna på svärdet är åtdragna.



- Olja in svärdet och skärverktyget med lämplig olja om de inte ska användas under en längre period.
- Rengör motordelen utvändigt med en lätt fuktad trasa. Använd ett mildt rengöringsmedel, aldrig lösningsmedel eller frätande kemikalier.
- Avlägsna alla föroreningar, speciellt från motorns ventilationsöppningar.
- Förvara motordelen och alla tillbehör torrt och dammfritt, utom räckhåll för barn om de inte ska användas under en längre period.
- Förvara inte batteriet i minusgrader.
- Ha alltid svärdskyddet och skyddet för grässaxens skärverktyg monterade då de inte används.

Felsökningschema

Häcksaxen/grässaxen startar inte.	Batteriet är urladdat, ladda batteriet.
Häcksaxen/grässaxen går sakta och/eller stängs av.	Svärdet/skärverktyget är oskarpt eller skadat. Kontrollera svärdet/skärverktyget och byt ut vid behov.
Dålig batteritid.	Batteriet är inte fulladdat. Det kan behöva några laddcykler där det laddas till 100 % innan det uppnår full kapacitet.
Batteriet laddas inte.	<ul style="list-style-type: none"> • Laddarens kontakter är förorenade. • Dra ut laddarens stickpropp ur vägguttaget och gör ren kontakterna. • Stickproppen sitter inte ordentligt i vägguttaget. • Finns det ström i vägguttaget? • Laddaren eller nätkabeln är skadade.

Avfallshantering

Denna symbol innebär att produkten inte får kastas tillsammans med annat hushållsavfall. Detta gäller inom hela EU. För att förebygga eventuell skada på miljö och hälsa, orsakad av felaktig avfallshantering, ska produkten lämnas till återvinning så att materialet kan tas omhand på ett ansvarsfullt sätt. När du lämnar produkten till återvinning, använd dig av de returhanteringssystem som finns där du befinner dig eller kontakta inköpsstället. De kan se till att produkten tas om hand på ett för miljön tillfredställande sätt.



Specifikationer

Multitrimmer

Varvtal 1300 min⁻¹

Skärverktyg

Häcksax 170 mm bred

Grenkapacitet häcksax 8 mm

Grässax 90mm bred

Vikt

Maskin 461 g

Häcksax 276 g

Grässax 227 g

Skافت 400 g

Buller-/vibrationsdata

Ljud	LpA = 66 dB(A), Onoggrannhet KpA = 3 dB(A) LwA = 86 dB(A), Onoggrannhet KwA = 3 dB(A)
Vibration	$a_{hV} = 3,4 \text{ m/s}^2$, $K = 1,5 \text{ m/s}^2$

Batteri DC 7,2 V li-jon

Kapacitet	1,3 Ah
Laddtid	3–5 tim
Drifttid	40 min

Batteriladdare

Nätanslutning	100–240 V
Utspänning	9 V DC
Utgående strömstyrka	400 mA
Isolationsklass	III

- Mätningen av den vibrationsnivå (vektorsumma i tre led) och de ljudvärden som anges i denna bruksanvisning har utförts enligt en mätmetod som är standardiserad i EN 60745 och kan användas vid jämförelse av olika elektriska handverktyg.
- Mätmetoden är även lämplig för preliminär bedömning av vibrationsbelastningen.
- Den angivna vibrationsnivån gäller när det elektriska handverktyget används på det sätt som beskrivs i den här bruksanvisningen. Om däremot det elektriska handverktyget används för andra ändamål och med andra tillbehör eller inte har underhållits ordentligt kan vibrationsnivån under arbetsperioden öka betydligt.
- För en exakt bedömning av vibrationsbelastningen bör även de tider beaktas när det elektriska handverktyget är frånkopplat eller är igång utan att det används. Detta reducerar vibrationsbelastningen betydligt för den totala arbetsperioden. Bestäm säkerhetsåtgärder för att skydda operatören mot vibrationernas inverkan vid alla typer av användning.



Varning!

- Mätvärdena ovan gäller nya produkter. I dagligt bruk ändras buller och svängningsvärdena.
- Använd hörselskydd om ljudtrycksnivån överskrider 85 dB(A).


Multitrimmer

Art.nr. 18-4806 Modell M1E-7.2LD-170M/G-1
31-8764 M1E-7.2LD-170M/G-1

Les brukerveiledningen grundig før produktet tas i bruk og ta vare på den for framtidig bruk. Vi reserverer oss mot ev. feil i tekst og bilder, samt endringer av tekniske data. Ved tekniske problemer eller om du har spørsmål, ta kontakt med vårt kundesenter (se kontaktinformasjon på baksiden).

Sikkerhet

Generelle sikkerhetsinstruksjoner for elektriske håndverktøy

 **Advarsel!** Les alle instruksjoner. Hvis man ikke følger instruksjonene nedenfor kan det føre til elektrisk støt, brann eller alvorlig skade.

TA VARE PÅ DENNE VEILEDNINGEN.

Termen «elektrisk håndverktøy» i advarselsteksten nedenfor viser til ditt strømnnetttilkoblede eller batteridrevne håndverktøy.

1) Arbeidsområdet

- a) **Hold arbeidsplassen ren, ryddig og godt opplyst.** Rotete og mørke områder kan føre til ulykker.
- b) **Ikke bruk elektriske håndverktøy i eksplosjonsfarlige miljøer, som for eksempel nær lettantennelige væsker, gasser eller støv.** Elektriske håndverktøy kan skape gnister som kan antenne støv og damp.
- c) **Hold barn og andre tilskuere på god avstand mens du bruker elektriske håndverktøy.** Forstyrrelser kan gjøre at du mister kontrollen over verktøyet.

2) Elektrisk sikkerhet

- a) **Støpselet til det elektriske verktøyet må passe inn i strømuttaket. Modifiser aldri støpselet på noen måte. Bruk aldri adapter sammen med jordede elektriske håndverktøy.** Originale støpsler og passende vegguttak reduserer risikoen for elektrisk støt.
- b) **Unngå kroppskontakt med jordede gjenstander, for eksempel rør, ovner, komfyrer og kjøleskap.** Kroppskontakt med disse øker faren for elektrisk støt.
- c) **Elektriske håndverktøy bør ikke utsettes for regn eller fuktighet.** Risikoen for elektrisk støt øker hvis vann trenger inn i et elektrisk håndverktøy.
- d) **Påse at ikke strømledningen blir skadet. Bruk aldri ledningen til å bære eller trekke det elektriske verktøyet eller rykke støpselet ut av vegguttaket. Hold ledningen unna varmekilder, olje, skarpe kanter og bevegelige deler.** Skadde eller sammenfiltrede ledninger øker risikoen for elektrisk støt.
- e) **Ved bruk av elektriske håndverktøy utendørs, skal man benytte en skjøteledning som er beregnet til dette formålet.** Risikoen for elektrisk støt reduseres når du bruker en skjøteledning som er til utendørsbruk.
- f) **Hvis det ikke kan unngås å bruke det elektriske håndverktøyet i fuktige omgivelser, bruker du et vegguttak som er utstyrt med jordfeilsbryter.** Risikoen for elektrisk støt reduseres hvis du bruker jordfeilbryter.

3) Personlig sikkerhet

- a) **Vær våken og bruk sunn fornuft når du bruker et elektrisk verktøy. Bruk ikke et elektrisk håndverktøy hvis du er trøtt eller påvirket av alkohol, narkotika eller medikamenter.** Et øyeblikks uoppmerksomhet kan resultere i alvorlig personskade når du bruker et elektrisk håndverktøy.
- b) **Bruk verneutstyr. Bruk alltid vernebriller.** Ved å benytte verneutstyr som støvmaske, sklisklire såler på skoene, hjelm og hørselsvern ved behov, reduseres faren for personskade.
- c) **Unngå uønsket oppstart. Forsikre deg om at strømbryteren er i OFF-stilling før du kobler støpselet til vegguttaket, kobler til batteriet eller løfter/bærer det elektriske håndverktøyet.** Bær aldri elektriske håndverktøy med en finger på strømbryteren/avtrekkeren eller koble det til strømmettet mens strømbryteren står på ON.
- d) **Fjern alle nøkler/serviceverktøy før det elektriske håndverktøyet startes.** Et gjenglemte serviceverktøy på en roterende del av det elektriske håndverktøyet kan føre til personskade.
- e) **Strek deg ikke for langt. Sørg for å stå støtt med god balanse hele tiden.** Dette gir bedre kontroll over det elektriske håndverktøyet i uventede situasjoner.
- f) **Benytt fornuftige arbeidsklær. Bruk ikke løstsittende klær eller smykker. Hold hår, klær og hanser unna bevegelige deler.** Løstsittende klær, smykker og langt hår kan sette seg fast i bevegelige deler.
- g) **Hvis det er mulig å koble til en støvsamler/støvsuger, sørg for at denne er tilkoblet og brukes riktig.** Bruk av slike hjelpemidler kan redusere faren knyttet til støv.

4) Bruk og vedlikehold av det elektriske håndverktøyet

- a) **Ikke press et elektrisk håndverktøy. Bruk et elektrisk håndverktøy som er beregnet for den arbeidsoppgaven du utfører.** Korrekt elektrisk håndverktøy gjør jobben bedre og sikrere med beregnet matehastighet.
- b) **Ikke bruk det elektriske håndverktøyet dersom det er feil på strømbryteren og den ikke skrur verktøyet på/av med din kontroll.** Alle elektriske håndverktøy som ikke kan styres med strømbryteren, er farlige og må repareres.
- c) **Trekk ut støpselet før justeringer utføres, ved skifte av tilbehør eller når verktøyet legges til oppbevaring.** Disse forebyggende beskyttelsestiltakene minsker risikoen for utilsiktede oppstart av det elektriske håndverktøyet.
- d) **Oppbevar elektriske håndverktøy utilgjengelig for barn. Påse også at elektriske håndverktøy er utilgjengelig for personer som ikke har fått tilstrekkelig opplæring på eller er fortrolig med verktøyet.** Elektriske håndverktøy er farlige hvis de kommer i hendene på uerfarne brukere.
- e) **Hold det elektriske håndverktøyet ved like. Kontroller om noe er feilinnstilt, om bevegelige deler kjører seg fast, om deler har gått i stykker, eller om det har inntruffet noe annet som kan påvirke funksjonen til det elektriske håndverktøyet. Hvis noe er skadd, må det repareres før verktøyet tas i bruk.** Mange ulykker skyldes dårlig vedlikeholdte elektrisk håndverktøy.
- f) **Hold verktøyene skarpe og rene.** Ordentlig vedlikeholdte skjæreverktøy med skarp egg er mindre utsatt for å kjøre seg fast og lettere å styre.
- g) **Bruk det elektriske håndverktøyet, tilbehør osv. i henhold til disse instruksjonene, ta hensyn til arbeidsforholdene og til arbeidet som skal utføres.** Bruk av det elektriske håndverktøyet til annet arbeid enn det er ment for, kan resultere i en farlig situasjon.

5) *Bruk og håndtering av kabelløst elektrisk håndverktøy*

- a) Batterier skal kun lades i en lader som er anbefalt av produsenten.
- b) Verktøyet er utstyrt med batteri fra produsenten. Andre batterier må ikke benyttes.
- c) Batteriet kan lekket batterisyre hvis det behandles feil. Skyll med rikelig vann dersom batterisyre kommer i kontakt med huden. Dersom syren kommer i kontakt med øynene, må lege oppsøkes.

6) *Service*

- a) **La profesjonelle fagfolk utføre service og reparasjoner. Benytt kun originale reservedeler.** Dette garanterer at sikkerheten til det elektriske håndverktøyet opprettholdes.

Spesielle sikkerhetstiltak ved bruk av gressaks

- Gressaksen må ikke brukes av barn eller av personer med noen form for funksjonsnedsettelse, mangel på erfaring eller kunnskap som kan true sikkerheten. Det må heller ikke benyttes av personer som ikke har tilstrekkelig erfaring og kunnskap, dersom de ikke har fått instruksjoner om bruken av noen som har ansvaret for deres sikkerhet.
- Les brukerhåndboken nøye og bli kjent med bruken av knappene og den riktige bruken av gressaksen.
- La verken barn eller voksne som ikke har lest bruksanvisningen bruke gressaksen.
- Bruk aldri gressaksen når personer, spesielt barn og husdyr, befinner seg i nærheten.
- Forsikre deg om at du vet hvordan gressaksen kan stoppes/slås av.
- Gjør deg kjent med omgivelsene og vær forberedt på eventuelle farer.
- Kontroller alltid gressaksen før bruk. Reparer skjæreverktøyet hvis det er kommet borte i et fremmedobjekt og det finnes tegn på slitasje eller skader.
- Bruk gressaksen kun i dagslys eller tilstrekkelig kunstig belysning.
- Hold hender og føtter unna området som klippes.
- Sørg for å stå i en sikker stilling når du bruker gressaksen.
- Gressaksen må oppbevares utilgjengelig for barn, da den har innebygd batteri og kan dermed startes om begge knappene trykkes inn.
- Gressaksen har innebygd batteri, vær oppmerksom på hvor du har hendene før rengjøring, kontroll og øvrig vedlikehold eller når du skal fjerne materiale.
- Slå av gressaksen med en gang hvis skjæreverktøyet har kommet borte i fremmedobjekter eller straks gressaksen begynner å vibrere unormalt.
- Tenk over skaderisikoen for hender og føtter ved kontakt med skjæreverktøyet kniver.
- Sørg alltid for at ventilasjonsåpningene er frie for forurensning og fremmedobjekter.

Spesielle sikkerhetsforskrifter for hekkesakser

- Hekksaksen må ikke brukes av barn eller personer med noen form for nedsatt funksjon, mangel på erfaring eller kunnskap som kan påvirke sikkerheten.
- Hold alle kroppsdeler unna hekksaksens blad. Ikke fjern klippet materiale eller hold i materiale som skal klippes når bladets kniver er i bevegelse.
- Et øyeblikks uoppmerksomhet ved bruk kan fort resultere i alvorlige personskader.
- La aldri barn leke med hekksaksen.
- Slå av hekksaksen og bær den i håndtaket ved korte forflytninger. Ved transport eller oppbevaring av hekksaksen skal beskyttelsesdekelet alltid monteres på bladet. Riktig bruk av hekksaksen reduserer faren for personskader fra bladets kniver.
- Kontroller før bruk at det ikke finnes noen fremmede gjenstander som f.eks. metalltråder i hekken/busken som skal klippes.
- Hekksaksens kniver er i bevegelse i noen sekunder etter at den er stoppet.
- **Obs!** Knivene må ikke røres mens de er i bevegelse.
- Ved flytting og transport av hekksaksen skal den være avslått med beskyttelsesdekelet montert.

Sikkerhetsinstruksjoner for batterier og ladere

- a) Vær forsiktig når håndterer multitrimmeren slik at den ikke starter ved en feiltagelse. Forsikre deg om at startsperreren og startknappen ikke er trykket inn under håndtering.
 - b) Bruk kun den medfølgende batteriladere eller ladere som anbefales av produsenten. Batteriladere er laget for å lade en bestemt type batterier. Hvis ladere som er beregnet på en annen batteritype brukes, kan det oppstå risiko for brann eller eksplosjon.
 - c) Batterisyre kan lekke fra batteriet om det er skadet. Unngå all kontakt med batterisyren. Skyll med rikelig vann dersom batterisyren kommer i kontakt med huden. Ta kontakt med lege umiddelbart hvis du får batterisyre i øynene. Batterisyre som lekker fra batterier kan forårsake hudirritasjon eller brannskader.
- Oppbevar aldri batterier i direkte sollys eller ved temperaturer over 40 °C.
 - Lad batteriet kun ved temperaturer mellom 5–40 °C.
 - Batterier og lader må ikke utsettes for vann.
 - Oppbevar ladere og batterier utilgjengelig for barn.
 - Bruk aldri batteriladere eller batterier i omgivelser der lettantennelige gasser eller stoffer lagres eller brukes.
 - Transporter batterier slik at de ikke kommer i kontakt med hverandre og aldri i metallbeholdere.
 - Kontroller at batteriladere og strømledningen er hele og ikke skadet før de brukes.
 - Lad opp batteriet helt dersom det ikke skal brukes i en lengre periode.
 - Batteriet kan kun lades med batteriladere som oppfyller standarden EN60335-2-29.

Forklaring av sikkerhetssymbolene på multitrimmeren



Les hele bruksanvisningen før du tar multitrimmeren i bruk.



Lydnivået ved bruk holder kravene i EC Directive 97/98EC med tillegg av 2004/26EC, Annex IV.



Multitrimmeren må ikke utsettes for regn eller mye fuktighet.



Bruk vernehjelm, vernebriller/visir og hørselsvern.



Advarsel! Multitrimmerens skjæreblader fortsetter å rotere en kort stund etter at motoren er slått av.



Advarsel! Skjæreverktøyet på multitrimmeren er skarpe. Bruk vernehansker.

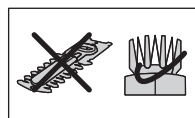


Gjenstander som slenges ut fra produktet kan føre til personskader og skade på andre ting. Bruk passende klær og skotøy.



Li-Ion

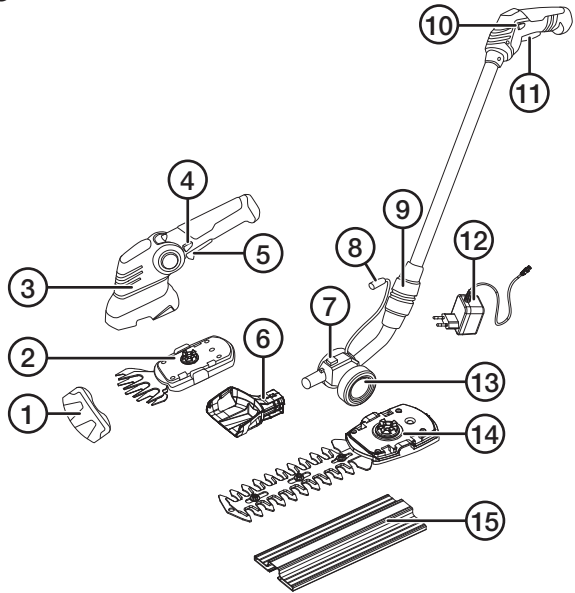
Produktet består av Lithium-ion-batterier og skal leveres på gjenvinningsstasjoner sånn at materialet kan tas hånd om på en ansvarfull måte. Benytt de retursystemer som er der du bor eller besøk forhandler.



Hekksaksen må ikke brukes sammen med teleskopskaftet.

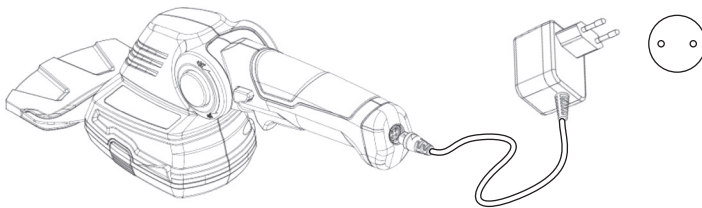
Produktbeskrivelse

1. Beskyttelse til gress-saks
2. Gress-saks
3. Motordel
4. Startsperre
5. Strømbryter
6. Holder
7. Sperre
8. Strømkabel (styring til teleskopskaft)
9. Teleskopskaft
10. Startsperre, skaft
11. Strømbryter, skaft
12. Lader
13. Hjul
14. Hekksaks
15. Beskyttelse til hekksaks



Installasjon/Kom i gang/Montering

Lade batteriet

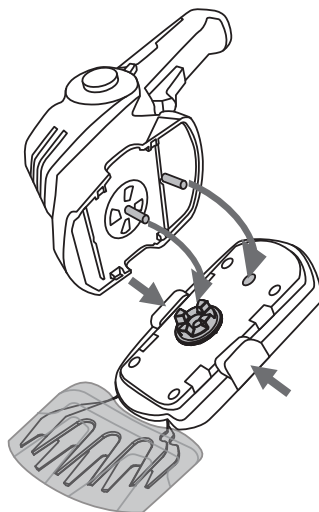


⚠ På strømkabelen sitter en 4-polet DIN kontakt. Sørg for at kontakten blir koblet riktig som markeringen indikerer og pass på at stiften ikke skades.

- Laderen kobles først til trimmeren og deretter til et strømuttak.
- En ladeindikator tennes etter en stund og viser at ladingen starter.
- Ladeindikatoren slukkes når batteriet er fulladet (etter ca. 3–5 timer).
- Batteriet kan bli varmt under lading, dette er helt normalt.
- La aldri batteriet lades helt ut. Sørg for å lade det med jevne mellomrom og når trimmeren virker kraftløs.

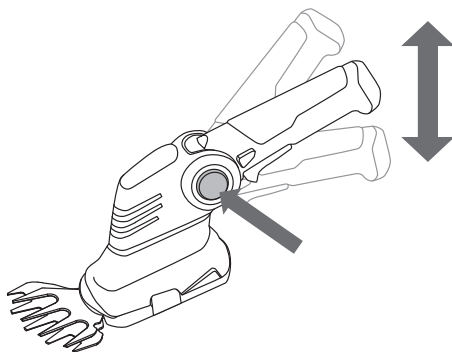
Montering

1. Pass på at styrepinnene ligger rett ovenfor styrehullene på saksen og at tannhjulene går mot hverandre.
2. Kontroller at ikke gress eller andre forurensninger havner mellom motordelen og gress-saksen/hekksaksen.
3. Trykk motordelen forsiktig sammen med gress-saksen/hekksaksen til du hører et klikk.
4. Trykk inn sperrene på siden av gressaksen/hekksaksen for å løse delene fra hverandre.



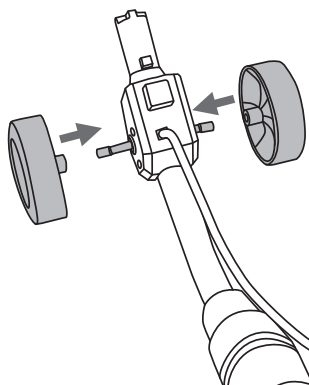
Juster håndtakets vinkel

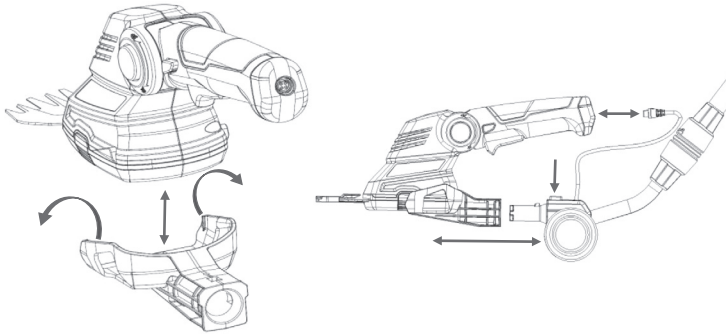
Trykk inn rotasjonsknappen og juster håndtaket til ønsket posisjon. Det er 3 forskjellige innstillinger å velge mellom.



Teleskopskaft

Før hjulakselen inn gjennom hullet som sitter lengst nede på skaftet, og trykk deretter hjulet fast på akselen.





1. Fest holderen på motordelen. Skyv den inn til et klikk høres.
2. Trykk motordelen forsiktig sammen med teleskopskaftet til du hører et klikk. Deretter kobles strømkabelen for å få kontakt med strømbryteren på teleskopskaftet.
3. Trykk inn sperren som sitter lengst nede på teleskopskaftet for å løste trimmeren fra skaftet.

Bruk

Advarsel!

- Sørg for at området du skal jobbe i er slik at du ikke henger deg opp i noe eller snubler.
- Pass på så ikke uønskede gjenstander eller løse eller brekte grener fester seg i hekksaksen/gressaksen.
- Sørg for å bruke nødvendig verneutstyr.
- Pass på at hekksaksen/gressaksen er hel og ikke mangler noen deler eller er skadet.
- Kontroller at sverdets/skjæreverktøyets kniver er skarpe og smurt.
- Sperren til startbryteren (4) og startbryteren (5) skal gå lett og ikke sette seg fast eller opptre unormalt.
- Sørg for at håndtakene er rene og gir godt grep.

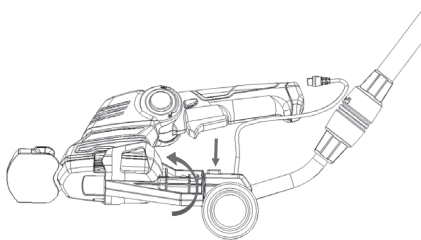
Viktige ting å huske når du bruker hekksaksen

- Kontroller at det ikke er fremmede gjenstander (ståltråder, stolper etc.) usynlig inne i det området som skal klippes.
- Maks greintykkelse \varnothing 8 mm.
- Hold hekksaksen godt og stå stødig. Ikke strekk deg for langt. Vær ekstra forsiktig hvis du må bruke stige.
- Før hekksaksen framover - med sakte og stødige bevegelser i den tenkte klippelinjen.
- Sverdet har kniver på begge sider og klippingen kan skje i begge retningene, med pendlende bevegelser fra side til side.
- For å få jevne sider må også tilveksten som kommer sideveis klippes. Denne tilveksten klippes nedenfra og oppover.

- Hvis klippingen skjer ovenfra og nedover vil de tynne kvistene bøye seg og bli stående igjen, uklippet.
- For å oppnå en jevn kant, kan man spenne opp et snøre som rettesnor.

Start og stopp

1. Fjern beskyttelsen fra skjæreverktøyet.
2. Trykk inn sperreknappen og trykk deretter inn strømbryteren. Hekksaksen/gressaksen starter.
3. Hekksaksen/gress-saksen stenges når startbryteren slippes opp.
4. Når sperren som sitter lengst nede på skaftet trykkes inn kan motordelen dreies sideveis. Pass på at trimmeren låser seg i ønsket stilling når du har dreid den til ønsket side.

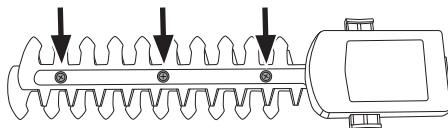


Vedlikehold



Advarsel!

- Bruk vernehansker ved vedlikehold og rengjøring av sverd og skjæreverktøy.
- Kontroller regelmessig at sikkerhetssperreren til strømbryteren og strømbryteren er uskadet og at de fungerer som de skal.
- Kontroller og smør sverdet og skjæreverktøyet med dertil egnet olje regelmessig og pass på at skruene på sverdet er dratt til.



- Sverdet og knivene oljes med passende olje før lagring, hvis de ikke skal brukes på en stund.
- Rengjør motordelen utvendig med en lett fuktet klut. Bruk et mildt rengjøringsmiddel, aldri løsningsmidler eller etsende kjemikalier.
- Fjern all forurensning, spesielt fra motorens ventilasjonsåpninger.
- Når motordelen og tilbehøret ikke er i bruk skal det lagres tørt, støvritt og utlgjengelig for barn.
- Batteriet må ikke oppbevares i minusgrader.
- Ha alltid sverdbeskyttelsen/skjæreverktøybeskyttelsen montert når produktet ikke er i bruk.

Feilsøkingsskjema

Hekksaksen/gressaksen starter ikke.	Batteriet er utladet, lad det opp.
Hekksaksen/gress-trimmeren går sakte og/eller skrur seg av.	Sverdet/skjæreverktøyet er sløv eller skadet. Kontroller sverdet/skjæreverktøyet og skift det ut ved behov.
Batteriet går fort tomt for strøm.	Batteriet er ikke fulladet. Det kan trenge noen ladesykluser hvor det lades opp 100 % før full kapasitet oppnås.
Batteriet lades ikke.	<ul style="list-style-type: none">• Kontaktene på laderen er forurenset.• Trekk støpselet ut av strømuttaket og rengjør kontaktene.• Støpselet sitter ikke riktig montert i strømuttaket.• Er det strøm i strømuttaket?• Laderen eller laderens kabel er skadet.

Avfallshåndtering

Symbolet viser til at produktet ikke skal kastes sammen med øvrig husholdningsavfall. Dette gjelder innenfor EØS-området. For å forebygge eventuelle skader på helse og miljø som følge av feil håndtering av avfall, skal produktet leveres til gjenvinning, slik at materialet blir tatt hånd om på en ansvarsfull måte. Når produktet skal kasseres, benytt de returhåndteringssystemer som finnes eller kontakt forhandler. De vil ta hånd om produktet på en miljømessig forsvarlig måte.



Spesifikasjoner

Multitrimmer

Turtall 1300 min¹

Skjæreverktøy

Hekksaks 170 mm bred

Grenkapasitet hekksaks 8 mm

Gressaks 90 mm bred

Vekt

Maskin 461 g

Hekksaks 276 g

Gressaks 227 g

Skaff 400 g

Støy-/vibrasjonsdata

Lyd	LpA = 66 dB(A), Unøyaktighet KpA = 3 dB(A) LwA = 86 dB(A), Unøyaktighet KwA = 3 dB(A)
Vibrasjon	$a_{HV} = 3,4\text{m/s}^2$, $K=1,5\text{ m/s}^2$

Batteri DC 7,2 V li-ion

Kapasitet	1,3 Ah
Ladetid	3–5 timer
Driftstid	40 minutter

Batterilader

Nettilkobling	100–240 V
Spenning ut	9 V DC
Utgående strømstyrke	400 mA
Isolasjonsklasse	III

- Måling av vibrasjonsnivået (vektorsum i tre ledd) og de lydverdier som oppgis i denne bruksanvisningen er utført i henhold til målemetoden i EN 60745 og kan brukes til sammenlikning av forskjellige elektriske håndverktøy.
- Målemetoden er også egnet til forhåndsbedømmelse av vibrasjonsbelastningen.
- Vibrasjonsnivået som er oppgitt gjelder når det elektriske håndverktøyet brukes på en slik måte som beskrives i denne bruksanvisningen. Hvis verktøyet derimot brukes til andre oppgaver og med annet tilbehør, eller ikke har blitt vedlikeholdt ordentlig, kan vibrasjonsnivået øke betydelig.
- For å få en riktig vurdering av vibrasjonsbelastningen må også tidene tas hensyn til når det elektriske håndverktøyet er frakoblet eller er i gang uten at det brukes. Dette reduserer vibrasjonsbelastningen betraktelig i den totale arbeidsperioden. Man må foreta sikkerhetstiltak for å beskytte operatøren mot vibrasjoner ved alle typer bruk.



Advarsel!

- Måleverdiene ovenfor gjelder nye produkter. Støy- og svingningsverdiene blir endret ved daglig bruk.
- Bruk hørselsvern når lydnivået overstiger 85 dB(A).

Multitrimmeri

Tuoteno 18-4806 Malli M1E-7.2LD-170M/G-1
31-8764 M1E-7.2LD-170M/G-1

Lue koko käyttöohje ja säästä se tulevaa käyttöä varten. Pidätämme oikeuden teknisten tietojen muutoksiin. Emme vastaa mahdollisista teksti- tai kuvavirheistä. Jos tuotteeseen tulee teknisiä ongelmia, ota yhteys myymälään tai asiakaspalveluun (yhteyshenkilö käyttöösi lopussa).

Turvallisuus

Yleisiä turvallisuusohjeita koskien sähkökäyttöisiä käsityökaluja

 **Varoitus!** Lue kaikki ohjeet. Alla olevien ohjeiden noudattamatta jättäminen saattaa johtaa sähköiskuun, tulipaloon tai vakavaan loukkaantumiseen.

SÄÄSTÄ NÄMÄ OHJEET.

Varoitustekstin termi sähkökäyttöinen käsityökalu tarkoittaa verkkovirralla ja akulla toimivaa käsityökalua.

1) Työtilat

- a) **Pidä työtilat puhtaina ja hyvin valaistuin.** Täynnä tavaraa olevat ja pimeät tilat lisäävät onnettomuusrisiä.
- b) **Älä käytä sähkökäyttöistä käsityökalua räjähdysriskissä ympäristössä, kuten helposti syttyvien nesteiden, kaasujen tai pölyn lähellä.** Sähkökäyttöiset käsityökalut muodostavat kipinöitä, jotka saattavat sytyttää pölyn tai höyryä.
- c) **Pidä lapset ja sivulliset loitolla, kun käytät sähkökäyttöistä käsityökalua.** Tarkkaavaisuuden menettäminen saattaa johtaa työkalun hallinnan menettämiseen.

2) Sähköturvallisuus

- a) **Sähkökäyttöisen käsityökalun pistokkeen tulee sopia pistorasiaan. Älä muuta pistoketta millään tavalla. Älä käytä sovitinta maadoitettujen sähkökäyttöisten käsityökalujen kanssa.** Muuttamaton pistoke ja sopiva pistorasia vähentävät sähköiskun vaaraa.
- b) **Vältä koskettamasta maadoitettuja esineitä, kuten putkia, lämpöpattereita, liettä tai jääkaappia.** Sähköiskun vaara kasvaa, jos kehosi on maadoitettu.
- c) **Älä altista sähkökäyttöistä käsityökalua sateelle äläkä käytä sitä kosteissa olosuhteissa.** Veden joutuminen sähkökäyttöiseen käsityökaluun lisää sähköiskun vaaraa.
- d) **Käsittele virtajohtoa varoen. Älä kanna laitetta virtajohdosta, äläkä irrota pistoketta pistorasiasta johdosta vetämällä. Älä altista virtajohtoa kuumuudelle, öljyille, teräville reunoille tai liikkuville osille.** Sotkeutuneet tai vahingoittuneet virtajohdot lisäävät sähköiskun vaaraa.
- e) **Kun käytät sähkökäyttöistä käsityökalua ulkona, käytä ainoastaan ulkokäyttöön sopivia jatkojohtoja.** Ulkokäyttöön sopivan jatkojohdon käyttäminen pienentää sähköiskun vaaraa.
- f) **Jos sähkökäyttöistä käsityökalua on pakko käyttää kosteassa ympäristössä, liitä laite pistorasiaan vikavirtasuojakytkimen kautta.** Vikavirtasuojakytkimen käyttö vähentää sähköiskun vaaraa.

3) Oma turvallisuutesi

- a) Ole huolellinen ja käytä tervettä järkeä, kun käytät sähkökäyttöistä käsityökalua. **Älä käytä sähkökäyttöistä käsityökalua, jos olet väsynyt tai päihteen, lääkkeiden tai alkoholin vaikutuksen alainen.** Lyhyenkin hetken kestävä tarkkaavaisuuden herpaantuminen saattaa johtaa vakavaan loukkaantumiseen.
- b) **Käytä suojavarusteita. Käytä aina suojalaseja.** Suojavarusteiden, kuten hengityssuojaimen, liukuestekenkien, kypärän ja kuulosuojaimien käyttäminen vähentää loukkaantumisvaaraa.
- c) **Vältä laitteen tahatonta käynnistämistä. Varmista ennen pistokkeen liittämistä pistorasiaan, akun liittämistä tai sähkökäyttöisen käsityökalun nostamista/kantamista, että virtakytkin on asennossa OFF.** On äärimmäisen vaarallista kantaa sähkökäyttöistä käsityökalua sormi liipaisimella tai liittää sähkökäyttöinen käsityökalu pistorasiaan virtakytkimen ollessa ON-asennossa.
- d) **Poista kaikki huoltotyökalut/avaimet, ennen kuin käynnistät sähkökäyttöisen käsityökalun.** Sähkökäyttöisen työkalun liikkuvan osan päälle unohtettu työkalu saattaa johtaa onnettomuuteen.
- e) **Älä kurota liian pitkälle työskennellessäsi. Varmista, että seisot tasapainoisesti työn jokaisessa vaiheessa.** Näin hallitset sähkökäyttöisen käsityökalun paremmin ylläpitävissä tilanteissa.
- f) **Käytä työskentelyyn sopivia vaatteita. Älä pidä löysiä vaatteita tai koruja. Pidä hiukset, vaatteet ja käsineet loitolla koneen liikkuvista osista.** Löysät vaatteet, korut tai pitkät hiukset saattavat takertua liikkuviin osiin.
- g) **Jos käytössäsi on pölynpoistojärjestelmä, käytä sitä.** Sen käyttö vähentää pölyyn liittyviä vaaroja.

4) Sähkökäyttöisten käsityökalujen käyttäminen ja huoltaminen

- a) **Älä pakota sähkökäyttöistä käsityökalua. Käytä vain sellaista sähkökäyttöistä käsityökalua, joka soveltuu suunnittelemaasi työtehtävään.** Oikean työkalun käyttö on tehokkaampaa ja turvallisempaa sille tarkoitetulla syöttönopeudella.
- b) **Älä käytä sähkökäyttöistä käsityökalua, jos virtakytkin ei toimi.** Kaikki sähkökäyttöiset käsityökalut, joita ei voida hallita virtakytkimellä, ovat vaarallisia ja ne tulee korjata.
- c) **Irrota pistoke pistorasiasta ennen kuin teet sähkökäyttöiseen käsityökaluun säätöjä, vaihdat sen varusteita tai ennen kuin asetat sen säilytykseen.** Nämä ennaltaehkäisevät toimenpiteet vähentävät sähkökäyttöisen käsityökalun tahatonta käynnistymistä.
- d) **Säilytä sähkökäyttöisiä käsityökaluja lasten ulottumattomissa. Älä luovuta sähkökäyttöistä käsityökalua henkilöille, jotka eivät tunne sitä tai sen käyttöohjetta.** Sähkökäyttöiset käsityökalut ovat vaarallisia tottumattomien käyttäjien käsissä.
- e) **Huolla sähkökäyttöisiä käsityökaluja. Varmista, että kaikki asetukset on tehty oikein, kaikki liikkuvat osat liikkuvat esteettä ja että mikään muu seikka ei häiritse sähkökäyttöisen käsityökalun toimintaa. Jos jokin osa on vahingoittunut, se tulee korjata ennen käyttöä.** Monet onnettomuudet johtuvat huonosti huolletuista sähkökäyttöisistä käsityökaluista.
- f) **Pidä terät terävinä ja puhtaina.** Kunnolla huolletut terävät terätyökalut vähentävät juuttumisen vaaraa, ja niitä on helpompi hallita.
- g) **Käytä sähkökäyttöistä käsityökalua ja sen varusteita näiden ohjeiden mukaisesti. Ota myös huomioon työskentelyolosuhteet ja suoritettava työ.** Sähkökäyttöisen käsityökalun käyttäminen muihin kuin sille tarkoitettuihin työtehtäviin saattaa johtaa vaaratilanteeseen.

5) Akkukäyttöisen sähkökäsityökalun käyttäminen ja käsitleminen

- a) Lataa akkua vain valmistajan suosittlemassa laturissa.
- b) Työkalussa on akku jo toimitusvaiheessa. Älä käytä muita akkuja.
- c) Akusta saattaa vuotaa akkunesettä, jos sitä käsitellään väärällä tavalla. Huuhtelee iho runsaalla määrällä vettä, jos nestettä joutuu iholle. Jos nestettä joutuu silmiin, hakeudu lääkäriin.

6) Huolto

- a) Laitteen saa huoltaa ja korjata ainoastaan ammattihenkilö, ja huollossa tulee käyttää ainoastaan alkuperäisiä. Näin taataan sähkökäyttöisen käsityökalun turvallisuus.

Ruohosaksia koskevia turvallisuusohjeita

- Ruohosaksia eivät saa käyttää lapset ja henkilöt, joilla on fyysisiä tai psyykkisiä rajoitteita, tai henkilöt, joilla ei ole riittävästi laitteen käytön turvallisuuteen vaikuttavia taitoja tai kokemusta. Henkilöt, joilla ei ole riittävästi kokemusta ja taitoja, eivät saa käyttää laitetta ilman heidän turvallisuudestaan vastaavan henkilön antamia ohjeita.
- Lue käyttöohje huolellisesti ja opettele painikkeiden ja ruohosaksien käyttö.
- Älä luovuta ruohosaksia lapsille tai sellaisille aikuisille, jotka eivät ole tutustuneet käyttöohjeeseen.
- Älä käytä ruohosaksia muiden henkilöiden – erityisesti lasten ja eläinten – läheisyydessä.
- Varmista, että tiedät, kuinka ruohosakset pysäytetään/sammutetaan.
- Tutustu työskentelyalueeseen, ja varmista että alue on vaaraton.
- Tarkista ruohosaksien toiminta aina ennen käyttöä. Korjaa leikkuutyökalu, jos se on osunut vieraaseen esineeseen, ja siinä on merkkejä kulumisesta tai vaurioista.
- Käytä ruohosaksia vain päivänvalossa tai riittävän voimakkaassa keinovalaistuksessa.
- Pidä kädet ja jalat leikkuualueen ulkopuolella.
- Varmista että seisot tukevassa asennossa, kun käytät ruohosaksia.
- Ruohosaksia ei saa jättää ilman valvontaa lasten läheisyyteen. Ruohosaksissa on kiinteä akku, minkä vuoksi ruohosakset saattavat käynnistyä, jos niiden painikkeita painetaan.
- Ruohosaksissa on kiinteä akku. Ole varovainen, kun puhdistat, käsittelet tai huollat ruohosaksia tai poistat ruohosaksiin juuttunutta materiaalia.
- Sammuta ruohosakset heti jos leikkuutyökalu on joutunut kosketuksiin vieraan esineen kanssa, tai jos ruohosakset tärisevät epänormaalisti.
- Ole varovainen, kun käsittelet teriä.
- Varmista, että ilmanvaihtoaukoissa ei ole roskia tai vieraita esineitä.

Pensassaksia koskevia turvallisuusohjeita

- Pensassaksia eivät saa käyttää lapset ja henkilöt, joilla on fyysisiä tai psyykkisiä rajoitteita, tai henkilöt, joilla ei ole riittävästi laitteen käytön turvallisuuteen vaikuttavia taitoja tai kokemusta.
- Varmista, että pensassaksien terä ei joudu kosketuksiin käyttäjän kanssa. Älä poista leikattua materiaalia äläkä pidä kiinni leikattavasta materiaalista, kun terä liikkuu.
- Tarkkaavaisuuden herpaantuminen hetkeksikin saattaa aiheuttaa vakavia vahinkoja.
- Älä anna lasten leikkiä pensassaksilla.
- Sammuta pensassakset ja pidä kiinni pensassaksien kahvasta, kun siirät pensassaksia lyhyempiä matkoja. Laita teräsuoja paikalleen, kun kuljetat tai säilytät pensassaksia. Kun pensassaksia käytetään käyttöohjeen mukaisesti, terän aiheuttama onnettomuusriski pienenee.
- Tarkista ennen käytön aloittamista, että leikattavassa pensaassa ei ole vieraita esineitä, kuten piikkilankaa.
- Terät liikkuvat vielä muutaman sekunnin ajan pensasleikkurin sammuttamisen jälkeen.
- **Huom.!** Älä koske terään, kun se liikkuu.
- Sammuta pensassakset ja aseta teräsuoja paikalleen, kun siirät pensassaksia.

Akkua ja laturia koskevia turvallisuusohjeita

- a) Käsittele multitrimmeriä varoen, jotta se ei käynnisty vahingossa. Varmista, että turvalukitus ja käynnistyspainike eivät ole alapainettuina.
 - b) Käytä ainoastaan mukana tulevaa tai valmistajan suosittelemaa akkulaturia. Akkulaturi on tarkoitettu tiettyntyyppisten akkujen lataamiseen. Väärän laturin käyttäminen aiheuttaa tulipalo- tai räjähdysvaaran.
 - c) Jos akku vahingoittuu, siitä voi vuotaa akkunestettä. Vältä kosketusta akkunesteen kanssa. Huuhtele iho runsaalla määrällä vettä, jos akkunestettä joutuu iholle. Jos nestettä joutuu silmiin, hakeudu välittömästi lääkäriin. Akuista vuotava neste saattaa aiheuttaa ihoärsytystä tai palovammoja.
- Älä koskaan säilytä akkua suorassa auringonvalossa tai yli 40 °C:n lämpötilassa.
 - Lataa akkua ainoastaan 10–40 °C:n lämpötilassa.
 - Älä altista akkua tai laturia vedelle.
 - Pidä laturi ja akku poissa lasten ulottuvilta.
 - Älä käytä laturia tai akkua ympäristössä, jossa säilytetään tai käytetään helposti syttyviä kaasuja tai aineita.
 - Kuljeta akkuja niin, että ne eivät joudu kosketuksiin toistensa kanssa. Älä kuljeta akkuja metallisäiliössä.
 - Varmista ennen käyttöä, että akkulaturi ja virtajohto ovat ehjiä ja vahingoittumattomia.
 - Lataa akku täyteen, jos se on pitkään käyttämättä.
 - Akku voidaan ladata ainoastaan standardin EN60335-2-29 mukaisella akkulaturilla.

Multitrimmerin turvallisuussymbolien selitykset



Lue koko käyttöohje ennen multitrimmerin käyttöönottoa.



Käytön aikainen melutaso täyttää vaatimuksen EC Directive 97/98EC ja lisäksi 2004/26EC, Annex IV



Multitrimmeriä ei saa altistaa sateelle tai kosteille olosuhteille.



Käytä suojalaseja ja kuulosuojaimia.



Varoitus! Multitrimmerin terät liikkuvat vielä moottorin sammuttamisen jälkeen.



Varoitus! Multitrimmerin leikkaavat osat ovat teräviä. Käytä suojakäsineitä.

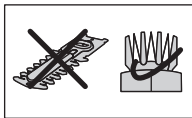


Ruohotrimmeristä saattaa lennähtää esineitä, jotka saattavat johtaa henkilö- tai omaisuusvahinkoihin. Käytä sopivia vaatteita ja kenkiä.



Li-Ion

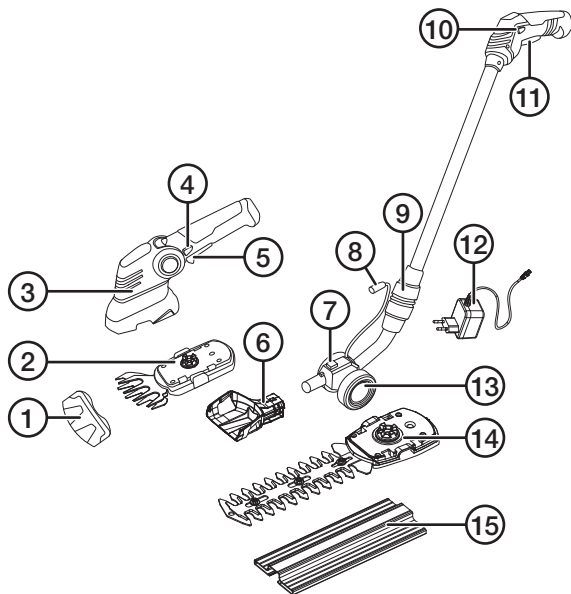
Laitteessa on Litium-ion-akut, minkä vuoksi laite tulee kierrättää asianmukaisesti. Kierrätä laite asianmukaisesti tai vie se takaisin ostopaikkaan, jossa se kierrätetään asianmukaisesti.



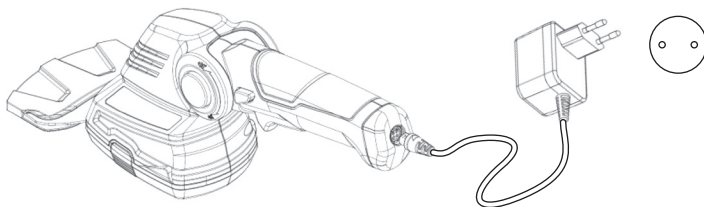
Pensasleikkuria ei saa käyttää teleskooppivarren kanssa.

Tuotekuvaus

1. Ruuhosaksien suoja
2. Ruuhosakset
3. Moottoriosa
4. Käynnistyksen esto
5. Virtakytkin
6. Pidike
7. Lukitus
8. Virtajohto (ohjaus teleskooppivarteen)
9. Teleskooppivarsi
10. Käynnistyksen esto, varsi
11. Virtakytkin, varsi
12. Laturi
13. Rengas
14. Pensasleikkuri
15. Pensasleikkurin suoja



Asentaminen/Käytön aloittaminen/Kokoaminen Akun lataaminen

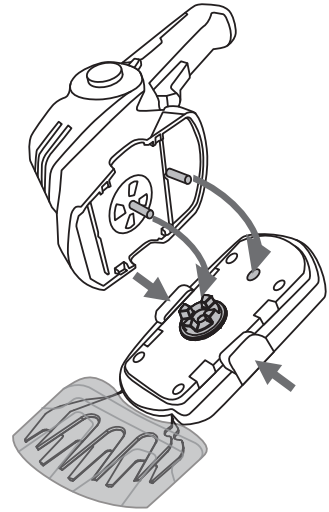


△ Virtajohtossa on 4-napainen DIN-liitin. Varmista että liitin liitetään merkintöjen mukaisesti ja että liittinastat eivät vahingoitu.

- Liitä mukana tuleva laturi ensin trimmeriin ja sitten pistorasiaan.
- Latauksen merkkivalo syttyy hetken päästä ja palaa latauksen aikana.
- Merkkivalo sammuu, kun akku on täynnä. Latausaika on noin 3–5 tuntia.
- Akku saattaa kuumentua latauksen aikana, mikä on täysin normaalia.
- Älä anna akun tyhjäntyä kokonaan. Lataa akku säännöllisesti sekä silloin, kun trimmerin teho heikkenee.

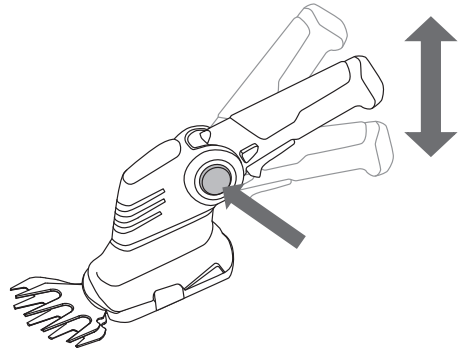
Asennus

1. Varmista, että ohjauspiikit ovat suoraan saksen ohjausreikien yläpuolella ja että hammaspyörät ovat kohdakkain.
2. Varmista, että ruohoa tai muita epäpuhtauksia ei pääse moottoriosan ja ruohosaksien/pensasleikkurin väliin.
3. Paina moottoriosaa varovasti ruohosaksiin/pensasleikkuriin, kunnes kuulet naksahduksen.
4. Avaa painamalla ruohotrimmerin/pensasleikkurin sivulla olevia lukitsimia.



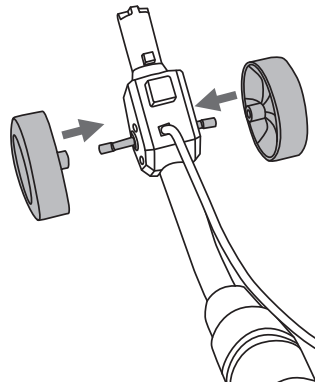
Kahvan kulman säätäminen

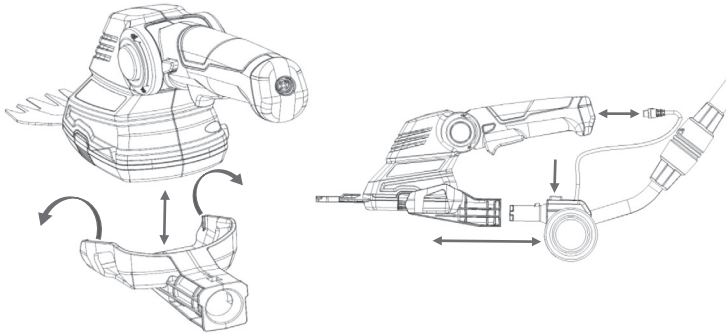
Säädä kahvan kulma sopivaksi painamalla pyörimispainiketta ja kallistamalla kahvaa. Valittavana on kolme eri asentoa.



Teleskooppivarsi

Pujota renkaan akseli varren alaosassa olevan reiän läpi ja paina sen jälkeen renkaat kiinni akseliin.





1. Kiinnitä pidike moottoriosaan työntämällä, kunnes se napsahtaa paikalleen.
2. Paina moottoriosaa teleskooppivarteen, kunnes kuulet naksahduksen. Liitä sen jälkeen virtajohto, jotta teleskooppivarren virtakytkin saa kontaktin.
3. Irrota trimmeri varresta painamalla teleskooppivarren alaosassa olevaa lukitusta.

Käyttö

⚠ Varoitus!

- Poista työskentelyalueelta kaikki ylimääräinen, jotta alueella on helppo liikkua ja kompastumisvaara pienenee.
- Varmista, että roikkuvat tai katkenneet oksat eivät pääse takertumaan ruohotrimmeriin/pensasleikkuriin.
- Varmista, että sinulla on kaikki tarvittavat suojarusteet.
- Varmista, että ruohotrimmeri/pensasleikkuri on ehjä, että siitä ei puutu osia ja että osat eivät ole millään tavoin vioittuneita.
- Varmista että terät ovat terävät ja voidellut.
- Virtakytkinten (4) ja (5) lukitusten tulee liikkua kevyesti; ne eivät saa juuttua tai toimia muuten epätavallisesti.
- Varmista, että kahvat ovat puhtaat ja niistä saa hyvän otteen.

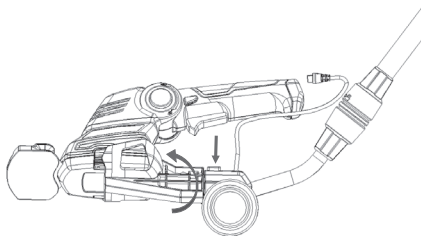
Ota huomioon seuraavat seikat, kun käytät pensasleikkuria

- Varmista, että leikattavalla alueella ei ole vieraita esineitä, kuten rautalankaa tai metallitolppia.
- Leikattavan oksan suurin paksuus 8 mm.
- Pidä kunnolla kiinni pensasleikkurista, seiso vakaasti äläkä kurota liian kauas. Ole erityisen varovainen jos käytät tikkaita.
- Liikuta pensasleikkuria eteenpäin hitaasti ja rauhallisesti leikkauslinjan suuntaisesti.
- Kaksipuolisella terällä voi leikata molempiin suuntiin sekä heiluriliikkeellä puolelta toiselle.
- Pensaiden sivut kannattaa leikata alhaalta ylöspäin, jolloin saadaan paras leikkuujälki.

- Jos pensaan sivua leikataan ylhäältä alaspäin, ohuet oksat taipuvat ulospäin, mikä saattaa johtaa epätasaiseen leikkuujälkeen.
- Pensasaidan yläosan päälle voi virittää narun, joka helpottaa pensasaidan yläosan tasaista leikkaamista.

Käynnistys ja pysäytys

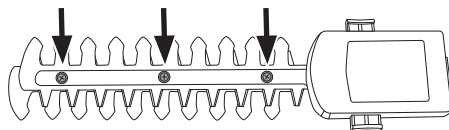
1. Poista suoja leikkuuterästä.
2. Pidä lukitsinta painettuna ja paina sen jälkeen virtakytkintä. Pensasleikkuri/ ruohotrimmeri käynnistyy.
3. Pensasleikkuri/ruohotrimmeri sammuu, kun päästät virtakytkimen.
4. Moottoriosaa voi kiertää vasemmalle tai oikealle painamalla varren alaosassa olevaa lukitusta. Varmista, että trimmeri lukittuu kunnolla uuteen asentoon.



Huolto ja ylläpito

⚠ Varoitus!

- Käytä suojakäsineitä, kun puhdistat tai käsittelet terää.
- Varmista säännöllisesti, että virtakytkimen lukitsin ja virtakytkin ovat kunnossa ja toimivat normaalisti.
- Tarkista terän ja terälevyn kunto ja öljyä terä ja terälevy sopivalla öljyllä säännöllisesti, ja varmista, että terälevyn ruuvit on kiristetty.



- Öljyä terä sopivalla öljyllä, jos laite on pitkään käyttämättä.
- Puhdista moottoriosan ulkopinta kevyesti kostutetulla liinalla. Käytä mietoa puhdistusainetta. Älä käytä liuottimia tai syövyttäviä kemikaaleja.
- Poista kaikki epäpuhtaudet, etenkin moottorin ilma-aukoista.
- Jos laite on pitkään käyttämättä, säilytä moottoriosaa ja kaikkia tarvikkeita kuivassa ja pölyttömässä paikassa lasten ulottumattomissa.
- Älä säilytä akkua tiloissa, joissa lämpötila laskee nollan alapuolelle.
- Pidä teräsuojia aina paikallaan, kun et käytä laitetta.

Vianhakutaulukko

Pensasleikkuri/ruohotrimmeri ei käynnisty.	Akku saattaa olla tyhjä, lataa akku.
Pensasleikkuri/ruohotrimmeri käy hitaasti ja/tai sammuu.	Terälevy/terä on tylsä tai vioittunut. Tarkista terälevy/terä ja vaihda tarvittaessa.
Akku ei kestä pitkään.	Akkua ei ole ladattu täyteen. Voi olla, että akkua pitää ladata muutaman kerran, ennen kuin se saavuttaa täyden kapasiteetin.
Akku ei lataudu.	<ul style="list-style-type: none">• Laturin kontaktipinnat ovat likaiset.• Irrota laturin pistoke pistorasiasta ja puhdista kontaktipinnat.• Pistoke ei ole kunnolla pistorasiassa.• Onko pistorasiassa virtaa?• Laturi tai sen johto on vahingoittunut.

Kierrättäminen

Tämä kuvake tarkoittaa, että tuotetta ei saa hävittää kotitalousjätteen seassa. Tämä koskee koko EU-aluetta. Virheellisestä hävittämisestä johtuvien mahdollisten ympäristö- ja terveyshaittojen ehkäisemiseksi tuote tulee viedä kierrätettäväksi, jotta materiaali voidaan käsitellä vastuullisella tavalla. Kierrätä tuote käyttämällä paikallisia kierrätysjärjestelmiä tai ota yhteys ostopaikkaan. Ostopaikassa tuote kierrätetään vastuullisella tavalla.



Tekniset tiedot

Multitrimmeri

Kierrosluku 1300 min⁻¹

Terät

Pensasleikkuri 170 mm leveys

Leikkuukapasiteetti

pensasleikkuri 8 mm

Ruohotrimmeri 90 mm leveys

Paino

Kone 461 g

Pensasleikkuri 276 g

Ruohotrimmeri 227 g

Varsi 400 g

Melu-/tärinäarvot

Melutaso	LpA = 66 dB(A), Epätarkkuus KpA = 3 dB(A) LwA = 86 dB(A), Epätarkkuus KwA = 3 dB(A)
Tärinä	$a_{hV} = 3,4\text{m/s}^2$, $K=1,5\text{ m/s}^2$

Akku DC 7,2 V li-ion

Tilavuus	1,3 Ah
Latausaika	3–5 tuntia
Käyttöaika	40 minuuttia

Akkulaturi

Verkkoliitäntä	100–240 V
Lähtöjännite	9 V DC
Lähtövirta	400 mA
Eristysluokka	III

- Tässä käyttöohjeessa ilmoitettu tärinäarvo on mitattu EN 60745 -standardisoidulla mittaustavalla, ja se on verrattavissa muihin sähkökäyttöisiin käsityökaluihin.
- Mittaustapa sopii myös tärinäkuormituksen alustavaan arviointiin.
- Ilmoitettu tärinäarvo toteutuu, kun sähkökäyttöistä käsityökalua käytetään käyttöohjeessa kuvatulla tavalla. Jos sähkökäyttöistä käsityökalua käytetään muuhun tarkoitukseen tai muiden tarvikkeiden kanssa ja jos sitä ei ole huollettu, työaikainen tärinätaso saattaa kasvaa huomattavasti.
- Tarkan tärinäkuormituksen arvioimiseksi pitää huomioida ajat, jolloin sähkökäyttöinen käsityökalu ei ole kytkettynä, tai kun se on käynnissä ilman, että sitä käytetään. Tämä vähentää huomattavasti koko työskentelyjakson tärinäkuormitusta. Päätä turvallisuustoimenpiteet suojataksesi käyttäjää tärinän vaikutukselta kaikissa käyttötarkoituksissa.



Varoitus!

- Ylläolevat mitta-arvot koskevat uusia tuotteita. Arvot muuttuvat päivittäisessä käytössä.
- Käytä aina kuulosuojaimia melun noustessa yli 85 dB:n (A).


Multitrimmer

Art.Nr. 18-4806 Modell M1E-7.2LD-170M/G-1
31-8764 M1E-7.2LD-170M/G-1

Vor Inbetriebnahme die Bedienungsanleitung vollständig durchlesen und für künftigen Gebrauch aufbewahren. Irrtümer, Abweichungen und Änderungen behalten wir uns vor. Bei technischen Problemen oder anderen Fragen freut sich unser Kundenservice über eine Kontaktaufnahme (Kontakt siehe Rückseite).

Sicherheitshinweise

Allgemeine Sicherheitshinweise für Elektrowerkzeuge

 **Warnung:** Die komplette Bedienungsanleitung durchlesen. Nichtbeachtung der folgenden Anweisungen kann zu Stromschlägen, Feuer oder schweren Verletzungen führen.

DIESE ANLEITUNGEN AUFBEWAHREN.

Die Bezeichnung „Elektrowerkzeug“ im weiteren Textverlauf bezieht sich auf das vorliegende (kabelgebundene oder akkubetriebene) Handwerkzeug.

1) Arbeitsumgebung

- a) **Die Arbeitsumgebung sauber und gut beleuchtet halten.** Unordentliche und dunkle Umgebungen begünstigen Unfälle.
- b) **Elektrowerkzeuge nicht in feuergefährlichen Umgebungen (z. B. in der Präsenz leicht entzündbarer Flüssigkeiten, Gase oder Stäube) benutzen.** Elektrohandwerkzeuge erzeugen Funken, die Staub und Dämpfe entzünden können.
- c) **Während der Benutzung des Elektrowerkzeugs Kinder und Zuschauer auf Abstand halten.** Ablenkung kann zu Kontrollverlust führen.

2) Elektrische Sicherheit

- a) **Sicherstellen, dass der Netzstecker des Elektrowerkzeugs in die Netzsteckdose passt. Niemals den Netzstecker verändern. Niemals einen Adapter zusammen mit geerdeten Elektrowerkzeugen verwenden.** Unveränderte Stecker und passende Steckdosen verringern das Risiko eines Stromschlags.
- b) **Körperkontakt mit geerdeten Gegenständen, z. B. Rohren, Heizungen, Öfen oder Kühlschränken, vermeiden.** Ist der eigene Körper geerdet, erhöht sich das Risiko eines Stromschlags.
- c) **Elektrowerkzeuge stets vor Regen und Feuchtigkeit schützen.** Wasser im Inneren von Elektrowerkzeugen erhöht das Risiko eines Stromschlags.
- d) **Mit dem Netzkabel behutsam umgehen. Das Netzkabel nie zum Ziehen oder Tragen des Elektrohandwerkzeugs oder zum Herausziehen des Steckers aus der Steckdose verwenden. Das Kabel von Wärme, Öl, scharfen Kanten und beweglichen Teilen fernhalten.** Beschädigte oder verformte Netzkabel erhöhen das Risiko eines Stromschlags.
- e) **Bei der Benutzung von Elektrowerkzeugen im Außenbereich immer ein Verlängerungskabel benutzen, das dafür vorgesehen ist.** Die Benutzung eines Verlängerungskabels für den Außenbereich verringert das Risiko eines Stromschlags.
- f) **Sollte das Elektrowerkzeug trotzdem in feuchter Umgebung benutzt werden, unbedingt eine Fehlerstrom-Schutzeinrichtung vorschalten.** Die Benutzung einer Fehlerstromschutzeinrichtung verringert das Risiko eines Stromschlags.

3) *Persönliche Sicherheit*

- a) **Bei der Benutzung von Elektrowerkzeugen vorsichtig sein und auf den gesunden Menschenverstand hören. Die Bedienung von Elektrowerkzeugen bei Müdigkeit und/oder unter Einfluss von Drogen, Alkohol oder Medikamenten ist untersagt.** Ein kurzer Moment der Unachtsamkeit kann zu schweren Sach- und Personenschäden führen.
- b) **Persönliche Schutzausrüstung benutzen. Immer einen Augenschutz tragen.** Die Benutzung von persönlicher Schutzausrüstung bei Bedarf, wie Atemschutz, Sicherheitsschuhe, Helm und Gehörschutz, verringert das Verletzungsrisiko.
- c) **Unbeabsichtigte Inbetriebnahme vermeiden. Sicherstellen, dass der Stromschalter in der Position „OFF“ ist, bevor der Netzstecker oder Akku angeschlossen wird oder das Elektrowerkzeug gehoben/getragen wird.** Das Tragen von Elektrowerkzeugen mit einem Finger auf dem Schalter oder der Anschluss von Elektrowerkzeugen an die Netzspannung, während der Schalter in der Position ON ist, birgt ein erhöhtes Unfallrisiko.
- d) **Vor dem Einschalten des Elektrowerkzeugs alle Wartungswerkzeuge/Schlüssel entfernen.** Ein vergessenes Wartungswerkzeug an einem rotierenden Teil von Elektrowerkzeugen kann zu Personenschäden führen.
- e) **Immer eine stabile und bequeme Arbeitsposition einnehmen und eine gute Balance sicherstellen.** Dies sorgt für bessere Kontrolle des Elektrowerkzeugs in unvorhergesehenen Situationen.
- f) **Immer geeignete Arbeitskleidung tragen. Keine losen Kleider oder Schmuck tragen. Haare, Kleidung und Handschuhe von beweglichen Teilen fernhalten.** Lose Kleidung, Schmuck oder lange Haare können sich in beweglichen Teilen verfangen.
- g) **Ist Ausrüstung zum Absaugen und Aufsammeln von Staub zugänglich, sollte diese angeschlossen und benutzt werden.** Die Benutzung dieser Hilfsmittel kann staubbedingte Gefahren verringern.

4) *Benutzung und Wartung von Elektrowerkzeugen*

- a) **Elektrowerkzeuge nie überbeanspruchen und ausschließlich gemäß ihrer Bestimmung verwenden.** Das richtige Elektrowerkzeug sorgt für mehr Sicherheit und ein besseres Resultat.
- b) **Niemals ein Elektrowerkzeug benutzen, wenn der Stromschalter das Gerät nicht ein-/ausschaltet.** Ein Elektrowerkzeug, das sich nicht mehr ein- oder ausschalten lässt, ist gefährlich und muss repariert werden.
- c) **Zum Ändern der Einstellungen und zum Austausch von Werkzeugteilen bzw. bei Nichtbenutzung stets den Netzstecker ziehen.** Diese Vorkehrungsmaßnahme verringert das Risiko einer unbeabsichtigten Inbetriebnahme.
- d) **Elektrowerkzeuge bei Nichtbenutzung außer Reichweite von Kindern aufbewahren. Personen, die nicht mit der Bedienung vertraut sind, nicht das Elektrowerkzeug benutzen lassen.** Elektrowerkzeuge können in den Händen ungeübter Nutzer eine Gefahrenquelle darstellen.
- e) **Elektrowerkzeuge warten. Regelmäßig überprüfen, ob etwas falsch eingestellt ist, ob bewegliche Teile klemmen, etwas kaputt gegangen ist oder etwas anderes die fehlerfreie Funktion behindert. Wenn etwas kaputt ist, muss es vor Inbetriebnahme repariert werden.** Viele Unglücke werden durch mangelnde Wartung verursacht.
- f) **Werkzeuge stets sauber und scharf halten.** Ordentlich gewartete Werkzeuge neigen weniger zu Fehlfunktionen und sind einfacher zu handhaben.
- g) **Elektrowerkzeuge, Zubehör usw. nur der Beschreibung entsprechend und bestimmungsgemäß gebrauchen. Dabei immer die aktuellen Arbeitsbedingungen berücksichtigen.** Der nicht-bestimmungsgemäße Gebrauch von Elektrowerkzeugen kann zu gefährlichen Situationen führen.

5) **Bedienung und Wartung von schnurlosen Elektrowerkzeugen**

- a) Den Akku in einem vom Hersteller empfohlenen Ladegerät laden.
- b) Das Werkzeug ist werkseitig mit einem Akku ausgestattet. Niemals einen anderen Akku verwenden.
- c) Aus dem Akku kann bei unsachgemäßer Handhabung Batterieflüssigkeit austreten. Gründlich mit Wasser abspülen, wenn die Flüssigkeit in Kontakt mit der Haut gekommen ist. Einen Arzt aufsuchen, wenn Flüssigkeit in die Augen geraten ist.

6) **Service**

- a) **Reparaturen nur von qualifizierten Servicetechnikern und mit Originalzubehör durchführen lassen.** Dies bewahrt die Sicherheit von Elektrowerkzeugen.

Besondere Sicherheitshinweise für Grasscheren

- Das Gerät darf nicht von Kindern und Personen mit eingeschränkten physischen, sensorischen oder geistigen Fähigkeiten bzw. mangelnder Erfahrung/mangelndem Wissen benutzt werden. Es darf auch nicht von Personen ohne ausreichende Erfahrungen und Kenntnisse verwendet werden, sofern diese keine Anleitung in Bezug auf die Nutzung von einer Person erhalten haben, die für deren Sicherheit verantwortlich ist.
- Die Bedienungsanleitung sorgfältig durchlesen und die Bedienung der Tasten sowie der Grasschere kennenlernen.
- Das Gerät nicht von Kindern oder von Personen, die die Bedienungsanleitung nicht gelesen haben, benutzen lassen.
- Das Gerät niemals bedienen wenn sich Personen, vor allem Kinder oder Haustiere, in der Nähe befinden.
- Sicherstellen, dass bekannt ist, wie das Gerät gestoppt/ausgeschaltet wird.
- Die Umgebung studieren und eventuellen Gefahren vorbeugen.
- Das Gerät vor der Benutzung immer kontrollieren. Die Klingen reparieren, falls sie auf Fremdkörper getroffen sind oder Verschleiß bzw. Schäden zu sehen sind.
- Das Gerät nur bei Tageslicht oder ausreichendem Kunstlicht benutzen.
- Hände und Füße immer vom Schneidbereich fernhalten.
- Bei der Benutzung jederzeit auf einen sicheren Stand achten.
- Das Gerät nie unbeaufsichtigt liegen lassen, wenn Kinder daran gelangen können. Es besitzt einen eingebauten Akku und kann daher durch Drücken beider Tasten gestartet werden.
- Das Gerät hat einen integrierten Akku, daher die Hände bei Reinigung, Kontrolle und Wartung oder beim Entfernen von Fremdkörpern auf sichere Weise halten.
- Das Gerät sofort ausschalten, falls es mit Fremdkörpern in Kontakt kommt oder ungewöhnlich vibriert.
- Beim Kontakt mit den Klingen des Gerätes immer an das Verletzungsrisiko für Hände und Füße denken.
- Sicherstellen, dass die Belüftungsöffnungen immer frei von Verschmutzungen und Fremdkörpern sind.

Besondere Sicherheitshinweise für Strauchscheren

- Das Gerät darf nicht von Kindern und Personen mit eingeschränkten physischen, sensorischen oder geistigen Fähigkeiten bzw. mangelnder Erfahrung/mangelndem Wissen benutzt werden.
- Alle Körperteile vom Schwert der Strauchschere fernhalten. Niemals das Schnittgut entfernen oder die Zweige festhalten, die abgeschnitten werden sollen, solange das Schwert in Bewegung ist.
- Schon ein unachtsamer Augenblick kann schwere Verletzungen nach sich ziehen.
- Kein Kinderspielzeug.
- Bei kurzen Strecken das Gerät ausschalten und am Griff tragen. Beim Transport oder der Aufbewahrung der Strauchschere immer den Schwertschutz montieren. Die korrekte Handhabung der Strauchschere reduziert die Gefahr von Personenschäden durch die im Schwert integrierten Klingen.
- Vor der Inbetriebnahme sicherstellen, dass sich keine Fremdkörper wie z. B. ein Maschendrahtzaun in der Hecke/dem Gebüsch befinden, die/das geschnitten werden soll.
- Nach Ausschalten der Strauchschere bewegen sich die Schwertklingen noch einige Sekunden weiter.
- **Hinweis:** Die Schwertklingen nicht anfassen, solange sie sich bewegen.
- Beim Transport die Strauchschere ausschalten und immer den Schwertschutz montieren.

Sicherheitshinweise für Akkus und Ladegeräte

- a) Bei der Handhabung der Strauchschere vorsichtig sein, damit diese nicht unabsichtlich startet. Sicherstellen, dass die Einschaltsperrleiste und der Startschalter während der Handhabung nicht eingedrückt sind.
 - b) Ausschließlich ein vom Hersteller empfohlenes Ladegerät benutzen. Akku-Ladegeräte sind für eine bestimmte Sorte von Akkus konzipiert. Bei Benutzung eines Ladegeräts für eine andere Akkusorte besteht Brand- und Explosionsgefahr.
 - c) Bei Beschädigung des Akkus kann dieser Flüssigkeit verlieren. Jeglichen Kontakt mit dieser Flüssigkeit vermeiden. Gründlich mit Wasser abspülen, wenn die Flüssigkeit in Kontakt mit der Haut gekommen ist. Bei Augenkontakt mit der Flüssigkeit sofort einen Arzt aufsuchen. Die austretende Batteriesäure kann Hautreizungen oder Verbrennungen verursachen.
- Den Akku nie direkter Sonneneinstrahlung oder Temperaturen über 40 °C aussetzen.
 - Den Akku ausschließlich bei Temperaturen zwischen 10 °C und 40 °C laden.
 - Den Akku niemals Nässe aussetzen.
 - Ladegerät und Akkus außer Reichweite von Kindern aufbewahren.
 - Ladegerät und Akkus nie in Räumen benutzen, in denen leicht entzündbare Gase oder Stoffe aufbewahrt oder benutzt werden.
 - Akkus stets so transportieren, dass sie nicht in Kontakt miteinander kommen können und niemals in einem Metallbehälter.
 - Vor der Benutzung sicherstellen, dass das Ladegerät und Kabel unbeschädigt sind.
 - Bei längerer Nichtbenutzung den Akku vollständig laden.
 - Der Akku kann nur mit einem Ladegerät, das dem Standard EN 60335-2-29 entspricht, geladen werden.

Erklärung der Sicherheitssymbole am Gerät



Die Bedienungsanleitung vor Anwendung des Gerätes vollständig durchlesen.



Die Geräuschemissionswerte bei der Nutzung dieses Gerätes entsprechen allen einschlägigen Bestimmungen der Richtlinie 97/98/EG einschließlich ihrer Änderungen in 2004/26/EG, Anhang IV.



Das Gerät niemals Regen oder anderen feuchten Bedingungen aussetzen.



Schutzbrille und Gehörschutz tragen.



Warnung: Das Schneidwerkzeug des Gerätes bewegt sich nach der Abschaltung noch eine kurze Weile weiter.



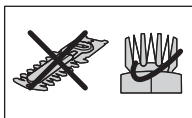
Warnung: Die Schneidmesser des Gerätes sind scharf. Schutzhandschuhe tragen.



Fremdkörper, die vom Multitrimmer weggeschleudert werden, können Personen- und Sachschäden verursachen. Geeignete Kleidung und festes Schuhwerk tragen.



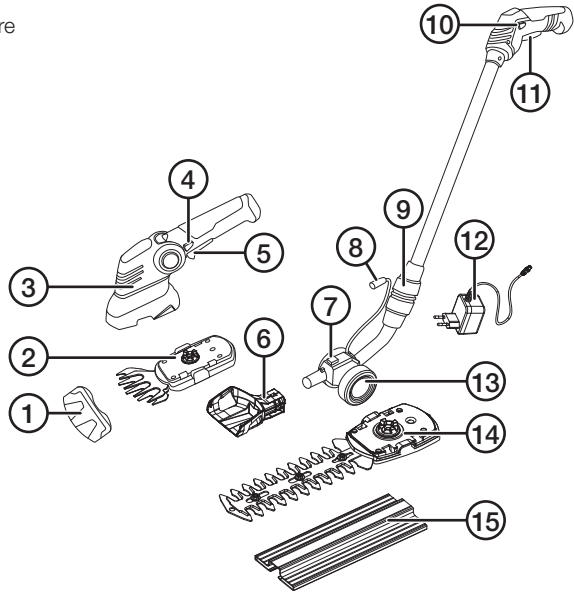
Das Gerät enthält einen Lithium-Ionen-Akku und ist einer umweltgerechten Wiederverwertung zuzuführen. Dazu bitte örtliche Recycling- und Sammelstationen nutzen oder den Händler kontaktieren.



Die Strauchschere darf nicht mit dem Teleskopstiel verwendet werden.

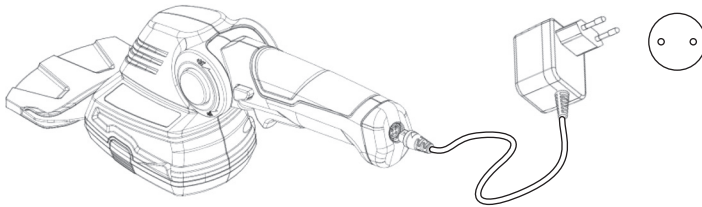
Produktbeschreibung

1. Schutzkappe für die Grasschere
2. Grasschere
3. Motoreinheit
4. Startsperrleiste
5. Stromschalter
6. Halterung
7. Sperre
8. Stromkabel (zur Verbindung mit dem Teleskopstiel)
9. Teleskopstiel
10. Startsperrleiste des Teleskopstiels
11. Stromschalter des Teleskopstiels
12. Ladegerät
13. Räder
14. Strauchschere
15. Schutzkappe für die Strauchschere



Montage

Laden des Akkus

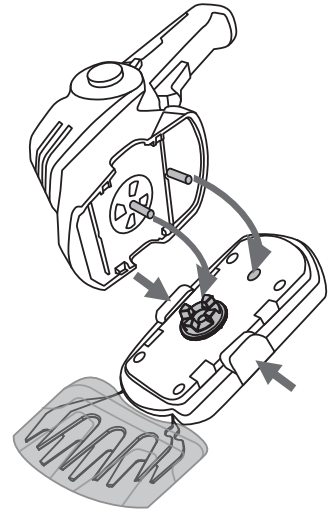


⚠ Das Stromkabel ist mit einem vierpoligen DIN-Stecker versehen. Darauf achten, dass der Stecker entsprechend der Markierung angeschlossen wird und die Kontaktstifte keinen Schaden nehmen.

- Das Ladegerät erst an den Multitrimmer und dann an eine Steckdose anschließen.
- Die Ladestandsanzeige des Gerätes schaltet sich nach kurzer Zeit ein und signalisiert, dass der Ladevorgang begonnen hat.
- Die Ladestandsanzeige erlischt wieder, wenn der Akku vollständig aufgeladen ist (nach ca. 3–5 h).
- Der Akku kann während des Ladevorgangs warm werden. Dies ist jedoch völlig normal.
- Den Akku niemals vollständig entladen lassen, sondern in regelmäßigen Abständen sowie bei nachlassender Leistung aufladen.

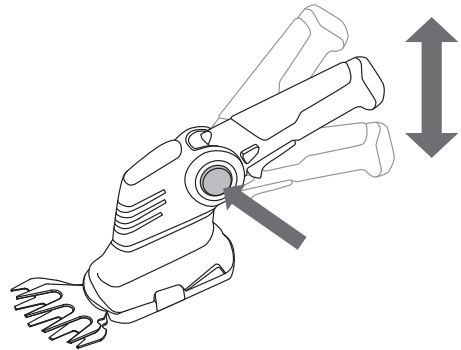
Montage

1. Darauf achten, dass die Passstifte sich genau in die entsprechenden Löcher im Gerät einfügen und dass die Zahnräder ineinandergreifen.
2. Sicherstellen, dass sich weder Grasschnitt noch sonstige Verunreinigungen zwischen der Motoreinheit und den Schneidmessern der Gras- bzw. Strauchschere verfangen.
3. Motoreinheit und Gras- bzw. Strauchschere vorsichtig zusammendrücken, bis ein Klick zu hören ist.
4. Zum Lösen der Schneidmesser von Gras- bzw. Strauchschere jeweils die Sperre an der Seite des Gerätes betätigen.



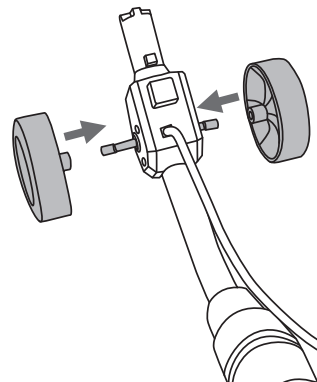
Einstellen des Handgriffs

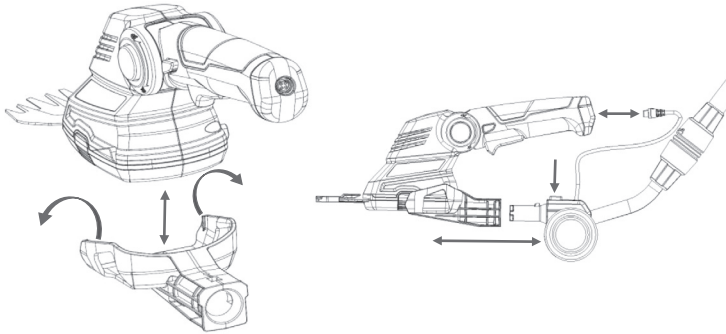
Den seitlichen Knopf betätigen und den Handgriff auf die gewünschte Position stellen. Es stehen drei verschiedene Positionen zur Auswahl.



Teleskopstiel

Die Radachse in das Loch am unteren Ende des Teleskopstiels einführen und anschließend die Räder auf die zwei Enden der Radachse stecken.





1. Die Motoreinheit in die Halterung führen und hineinschieben, sodass sie festklickt.
2. Motoreinheit und Teleskopstiel zusammendrücken, bis ein Klick zu hören ist. Dann das Stromkabel anschließen, damit ein Kontakt zum Stromschalter des Teleskopstiels hergestellt wird.
3. Die Sperre am unteren Ende des Teleskopstiels betätigen, um das Gerät wieder vom Teleskopstiel zu trennen.

Bedienung

Achtung:

- Stets für Ordnung im Arbeitsbereich sorgen, um ein freies Bewegen zu ermöglichen und ein Hängenbleiben oder Stolpern zu vermeiden.
- Sicherstellen, dass sich keine Fremdkörper, lose hängenden oder abgebrochenen Zweige im Gerät verfangen können.
- Sicherstellen, dass alle benötigte Schutzausrüstung benutzt wird.
- Sicherstellen, dass das Gerät intakt ist und keine Teile fehlen oder eine anderweitige Beschädigung vorliegt.
- Sicherstellen, dass die Schneiden des Schwerts/der Klinge geschliffen und geölt sind.
- Die Startsperr (4) und der Stromschalter (5) sollten leichtgängig sein und nicht festhängen oder auf andere Weise fehlerhaft funktionieren.
- Sicherstellen, dass Griff und Stiel sauber und griffig sind.

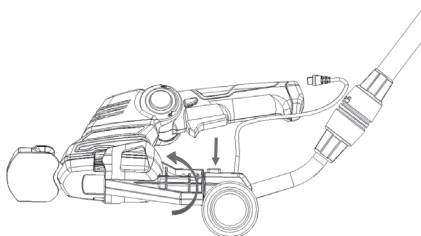
Hinweise zur Benutzung der Strauchschere

- Sicherstellen, dass sich in dem Bereich, der geschnitten werden soll, keine Fremdkörper (Metalldrähte/Zaunpfähle) befinden.
- Max. Aststärke: \varnothing 8 mm.
- Die Strauchschere gut festhalten und festen Halt suchen, nicht zu weit nach vorne beugen. Beim Arbeiten auf einer Leiter besonders vorsichtig vorgehen.
- Die Strauchschere langsam und vorsichtig nach vorne entlang der gedachten Schnittlinie führen.
- Mit dem doppelseitigen Schwert kann in beide Richtungen geschnitten werden bzw. mit einer pendelnden Bewegung von Seite zu Seite.
- Für einen gleichmäßigen Schnitt an den Seiten wird empfohlen, in Wachsrichtung von unten nach oben zu schneiden.

- Beim Schneiden von oben nach unten beugen sich die dünneren Zweige nach außen, was dazu führen kann, dass dünne Stellen oder Löcher in der Hecke entstehen.
- Für eine gleichmäßige Oberkante kann eine Richtschnur über die Hecke gespannt werden.

Start und Stopp

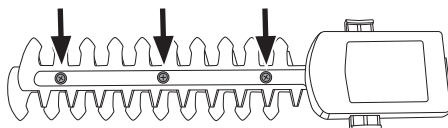
1. Die Schutzkappe vom Schneidmesser entfernen.
2. Erst die Startsperrle und anschließend auch den Stromschalter gedrückt halten. Das Gerät startet.
3. Zum Ausschalten des Gerätes ist einfach der Stromschalter loszulassen.
4. Durch Betätigen der Sperre am unteren Ende des Teleskopstiels kann die Motoreinheit nach links oder rechts gedreht werden. Sicherstellen, dass das Gerät nach dem Drehen in der gewünschten Position einrastet.



Pflege und Wartung

Achtung:

- Beim Reinigen und Handhaben von Schwert und Klinge Schnittschutzhandschuhe tragen.
- Regelmäßig überprüfen, ob Startsperrle und Stromschalter unbeschädigt und funktionstüchtig sind.
- Das Schwert und die Klinge regelmäßig überprüfen, mit einem geeigneten Öl schmieren und sicherstellen, dass die Schrauben fest sitzen.
- Bei längerer Nichtbenutzung das Schwert und die Klinge mit Öl schmieren.
- Die Motoreinheit außen mit einem leicht befeuchteten Tuch reinigen. Ein sanftes Reinigungsmittel verwenden, keine scharfen Chemikalien oder Reinigungslösungen.
- Sämtlichen Schmutz entfernen, vor allem an den Belüftungsöffnungen des Motors.
- Die Motoreinheit und sämtliches Zubehör bei längerer Nichtbenutzung trocken, staubfrei und für Kinder unzugänglich aufbewahren.
- Den Akku nicht bei Minusgraden lagern.
- Bei Nichtbenutzung immer den Schwertschutz/Klingenschutz aufsetzen.



Fehlersuche

Das Gerät startet nicht.	Der Akku ist entladen. Den Akku laden.
Das Gerät läuft langsam und/oder schaltet sich aus.	Das jeweilige Schneidmesser ist stumpf oder beschädigt. Die Schneidmesser überprüfen und bei Bedarf austauschen.
Kurze Akkulaufzeit.	Der Akku ist nicht vollständig geladen. Mitunter braucht es einige Ladezyklen, in denen der Akku zu 100 % aufgeladen wird, bis er seine volle Kapazität erreicht.
Der Akku lädt nicht.	<ul style="list-style-type: none"> • Die Kontakte des Ladegerätes sind verunreinigt. • Den Stecker des Ladegerätes abziehen und die Kontakte reinigen. • Der Stecker ist nicht ordnungsgemäß an die Steckdose angeschlossen. • Es liegt keine Spannung auf der Steckdose. • Ladegerät oder Netzkabel sind beschädigt.

Hinweise zur Entsorgung

Dieses Symbol zeigt an, dass das Produkt nicht gemeinsam mit dem Hausmüll entsorgt werden darf. Dies gilt in der gesamten EU. Um möglichen Schäden für Umwelt und Gesundheit vorzubeugen, die durch unsachgemäße Abfallentsorgung verursacht werden, dieses Produkt zum verantwortlichen Recycling geben, um die nachhaltige Wiederverwertung von stofflichen Ressourcen zu fördern. Bei der Abgabe des Produktes bitte die örtlichen Recycling- und Sammelstationen nutzen oder den Händler kontaktieren. Dieser kann das Gerät auf eine umweltfreundliche Weise recyceln.



Technische Daten

Multitrimmer

Drehzahl 1300 min⁻¹

Schneidmesser

Strauchschere 170 mm breit

Schnittstärke

Strauchschere 8 mm

Grasschere 90 mm breit

Gewicht

Maschine 461 g

Strauchschere 276 g

Grasschere 227 g

Griff/Stiel 400 g

Geräusch-/Vibrationsinformation

Schallpegel	L _{pA} = 66 dB(A), Unsicherheit K _{pA} = 3 dB(A) L _{wA} = 86 dB(A), Unsicherheit K _{wA} = 3 dB(A)
Schwingungswert	a _{hV} = 3,4m/s ² , K=1,5 m/s ²

Akku DC 7,2 V Li-Ion

Kapazität	1,3 Ah
Ladedauer	3–5 h
Akkulaufzeit	40 min

Akku-Ladegerät

Eingangsspannung	100–240 V
Ausgangsspannung	9 V DC
Ladestrom	400 mA
Schutzklasse	III

- Der Schwingungspegel (Vektorsumme dreier Richtungen) sowie die Geräuschemissionswerte, die in dieser Bedienungsanleitung angegeben werden, wurden durch ein in EN 60745 genormtes Messverfahren ermittelt und können beim Vergleichen verschiedener Elektrowerkzeuge miteinander herangezogen werden.
- Die Ergebnisse des Messverfahrens eignen sich außerdem für eine vorläufige Einschätzung der Schwingungsbelastung.
- Der angegebene Schwingungspegel gilt für den bestimmungsgemäßen Gebrauch des Elektrowerkzeugs. Wird das Elektrowerkzeug hingegen für andere Zwecke bzw. mit anderem Zubehör verwendet oder ungenügend gewartet, kann der Schwingungspegel während des Betriebs deutlich steigen.
- Für eine exakte Beurteilung des Schwingungspegels sollten auch die Zeiten mit einberechnet werden, in denen das Elektrowerkzeug abgeschaltet ist oder in denen es läuft, aber nicht benutzt wird. Dies reduziert die Schwingungsbelastung für den gesamten Arbeitszeitraum erheblich. Es sind außerdem Sicherheitsmaßnahmen festzulegen, die den Bediener zusätzlich vor den Auswirkungen der Schwingungen schützen.



Warnung:

- Die oben angegebenen Messwerte gelten für neue Geräte. Durch die alltägliche Nutzung des Gerätes verändern sich Geräuschemissionswerte und Schwingungspegel.
- Bei einem Schalldruckpegel, der 85 dB(A) übersteigt, ist ein Gehörschutz zu tragen.

Declaration of Conformity

Försäkran om överensstämmelse

Samsvarerklæring

Vakuutus yhdenmukaisuudesta

Konformitätserklärung



Declares that this product complies with the requirements of the following directives and standards
Intygar att denna produkt överensstämmer med kraven i följande direktiv och standarder
Bekrefter at dette produktet er i samsvar med følgende direktiver og standarder
Vakuuttaa, että tämä tuote täyttää seuraavien direktiivien ja standardien vaatimukset
Erklärt hiermit, dass dieses Produkt die Anforderungen und Bestimmungen folgender Richtlinien erfüllt

Shrub and Grass Shears

18-4806 / 31-8764
M1E-7.2LD-170M/G-1

Machinery Directive 2006/42/EC	EMC Directive 2014/30/EU	Low Voltage Directive 2014/35/EU
EN 60745-1:2009/A11:2010 EN 60745-2-15:2009/ A1:2010 EN 50636-2-94:2014 EN 60335-1:2012/A11:2014 EN 62233:2008	EN 55014-1:2017 EN 55014-2:2015 EN 61000-3-2:2014 (BATT. CH) EN 61000-3-3:2013 (BATT. CH) EN 55032:2015 (BATT. CH) EN 55024: 2010+A1:2015 (BATT. CH)	EN 60335-1 2012/ A11:2014 EN 60335-2-29:2004 +A2:2010 (BATTERY CHARGER)

Ellinor Wickström
Product Compliance Manager

Insjön, Sweden, 2018-11-21

CLAS OHLSON AB, SE-793 85 INSJÖN, SWEDEN

Sverige

Kundtjänst tel: 0247/445 00
fax: 0247/445 09
e-post: kundservice@clasohlson.se

Internet www.clasohlson.se

Post Clas Ohlson AB, 793 85 INSJÖN

Norge

Kundesenter tlf.: 23 21 40 00
faks: 23 21 40 80
e-post: kundesenter@clasohlson.no

Internett www.clasohlson.no

Post Clas Ohlson AS, Postboks 485 Sentrum, 0105 OSLO

Suomi

Asiakaspalvelu puh.: 020 111 2222
sähköposti: asiakaspalvelu@clasohlson.fi

Internet www.clasohlson.fi

Osoite Clas Ohlson Oy, Kaivokatu 10 B, 00100 HELSINKI

United Kingdom

Customer Service Contact number: 020 8247 9300
E-mail: customerservice@clasohlson.co.uk

Internet www.clasohlson.co.uk

Postal 10 – 13 Market Place
Kingston upon Thames
Surrey
KT1 1JZ

Deutschland

Kundenservice Hotline: 040 2999 78111
E-Mail: kundenservice@clasohlson.de

Homepage www.clasohlson.de

Postanschrift Clas Ohlson GmbH, Jungfernstieg 38,
20354 Hamburg

clas ohlson